

MONOGRAM 36" STAINLESS STEEL PROFESSIONAL HOOD WITH QUIETBOOST™ BLOWER

ZVW1360SPSS



STAINLESS STEEL DESIGN

With clean lines and a beautiful finish, this impressive stainless steel hood adds a touch of style and simplicity to any kitchen

610-CFM BLOWER RANGE HOOD

A must have for aspiring chefs, this effective ventilation system removes cooking fumes for a fresh-smelling, odor-free kitchen

LED LIGHTS

Designed to meet a range of lighting needs, these versatile LED lights offer three levels of intensity, from ambient to low/night illumination

THREE REMOVABLE FILTERS

A trio of filters effectively trap odor-causing, airborne particles and are conveniently removable for easy cleaning

CONNECTED FEATURES

Providing the ultimate in control and connectivity, this Chef Connect and WiFi-enabled hood allows the user to adjust settings remotely through the SmartHQ app

CLEAN FILTER NOTIFICATION

For maximum filter efficiency and optimum air quality, the SmartHQ app regularly notifies the user when to clean the filters

QUIETBOOST™ TECHNOLOGY

This unique technology is designed to minimize ventilation noise and enhance motor efficiency for a peacefully quiet, odor-free kitchen

FAN TIMER

Convenient and energy efficient, the fan can be set to automatically shut off after 5, 10 or 15 minutes of operation

MAKEUP AIR TECHNOLOGY

This product comes with a simple installation feature to limit the maximum CFM levels below 400 CFM



SPECIFICATIONS

Overall Width	36" (91.4 cm)
Overall Height	18" (45.7 cm)
Overall Depth	22" (55.9 cm)
Shipping Weight	92 lb (41.7 kg)

ATTENTION ELECTRICIAN

ELECTRIC SUPPLY

These vent hoods must be supplied with 120V, 60Hz, and connected to a properly grounded branch circuit, and protected by a 15 or 20 amp circuit breaker or time delay fuse.

- Wiring must be 2 wire with ground.
- If the electrical supply does not meet the above requirements, call a licensed electrician before proceeding.
- Route house wiring as close to the installation location as possible on the back wall or ceiling.
- Connect the wiring to the house wiring in accordance with local codes.

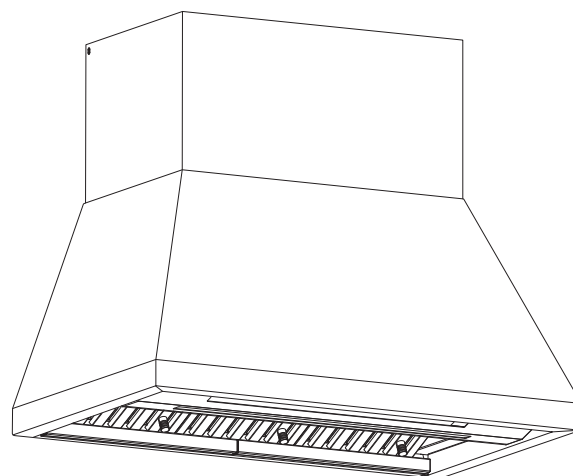
GROUNDING INSTRUCTIONS

The grounding conductor must be connected to a ground metal, permanent wiring system, or an equipment-grounded terminal or lead on the hood.

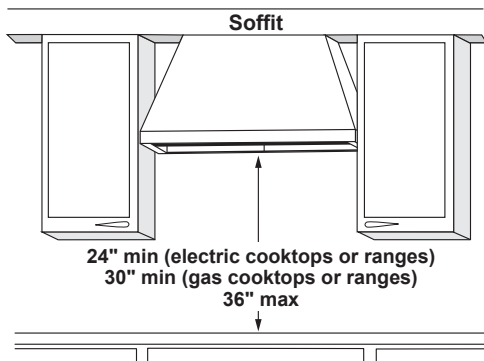
WARNING

The improper connection of the equipment-grounding conductor can result in a risk of electric shock. Check with a qualified electrician or service representative if you are in doubt whether the appliance is properly grounded.

OVERALL DIMENSIONS

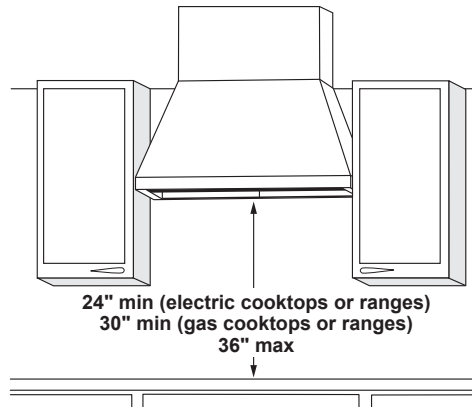


SOFFIT INSTALLATION



In this installation, the ductwork running from the top of the hood will be concealed in the soffit.

WALL MOUNT INSTALLATION



For this installation, conceal the ductwork running from the top of the hood. Use of the duct cover requires special consideration to the installation height above the countertop.

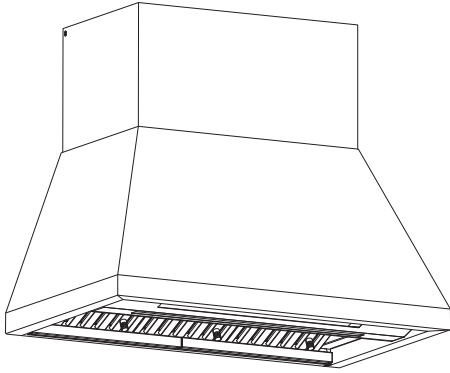
INSTALLATION CLEARANCES

These vent hoods are designed to be installed onto a wall or beneath a soffit.

- Install these hoods 24" Min. above electric range/cooktop or 30" Min. above gas range/cooktop. The recommended Max installation above the cooking surface is 36".

NOTE

Clearances may vary due to type of cooking product and local codes. Check with local inspectors to be sure standard is applicable.



Before you begin, you should determine the installation height of the hood and order the correct size duct cover. The duct covers should be ordered at the same time as the vent hood and be on site before installation. Order the duct cover corresponding to your model.

8' DUCT COVERS

Hood Model	8' Duct Cover	Dimensions
ZVW1360SPSS	ZX8D13SPSS	Upper: 4-1/2"H x 23-3/16"W x 15"D Lower: 4-1/2"H x 23-5/16"W x 15"D

10' DUCT COVERS

Hood Model	10' Duct Cover	Dimensions
ZVW1360SPSS	ZX10D13SPSS	Upper: 17"H x 23-3/16"W x 15"D Lower: 20"H x 23-5/16"W x 15"D

12' DUCT COVERS

Hood Model	12' Duct Cover	Dimensions
ZVW1360SPSS	ZX12D13SPSS	Upper: 27"H x 23-3/16"W x 15"D Lower: 34"H x 23-5/16"W x 15"D

ADVANCED PLANNING

DUCTWORK PLANNING

- This hood is designed to be vented vertically through the ceiling or soffit with a 10" round duct.
- For horizontal venting through a wall, an 8"x12" duct transition and a 12" round duct must be purchased.
- Determine the mounting location of the vent hood.
- Plan the route for venting exhaust to the outdoors.
- Use the shortest and straightest duct route possible. For satisfactory performance, duct run should not exceed 150 ft. equivalent length for any duct configurations.
- Refer to "Duct Fittings" chart to compute the maximum permissible length for duct runs to the outdoors.
- Use metal ductwork only. Flexible ducting is not recommended.
- Install a wall cap or roof cap with damper at the exterior opening. Order the wall or roof cap and any transition needed in advance.

WALL FRAMING FOR ADEQUATE SUPPORT

- These vent hoods are heavy. Adequate structural support must be provided. Hoods must be secured to vertical studs in the wall.
- It is strongly recommended that the vent hood with duct cover be on site before final framing and wall finishing. This will also help to accurately locate the ductwork and electrical service.

DUCT COVER ACCESSORIES

- Duct cover kits for 8', 10', and 12' ceiling heights are available for this model. The duct cover conceals the ductwork running from the top of the hood to the ceiling or soffit. Each kit includes an upper and lower duct cover. The upper duct cover telescopes within the lower duct cover to reach the desired ceiling height.

POWER SUPPLY

IMPORTANT (PLEASE READ CAREFULLY)

WARNING

FOR PERSONAL SAFETY, THIS APPLIANCE MUST BE PROPERLY GROUNDED.

Remove house fuse or open circuit breaker before beginning installation.

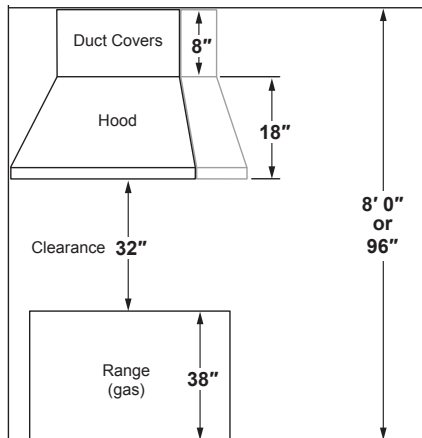
Do not use an extension cord or adapter plug with this appliance. Follow national electrical codes or prevailing local codes and ordinances.

USING DUCT COVER ACCESSORIES

To avoid unsightly gaps, plan the hood installation height for duct covers use. Use the table below to determine which duct cover kit must be ordered. We recommend that the vent hood and decorative duct cover (if used) be on site before final framing and wall finishing. This will help to accurately locate studs, ductwork and electrical service.

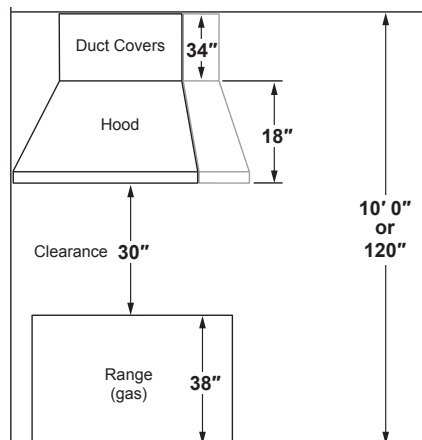
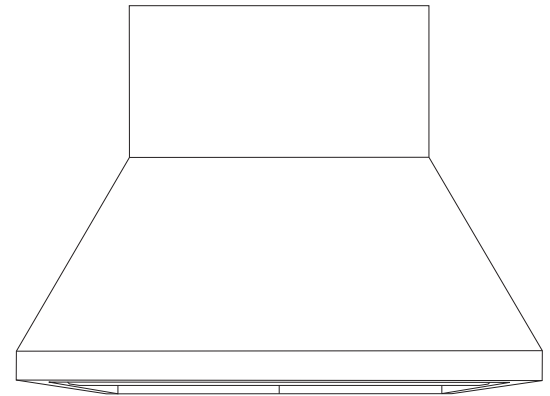
Ceiling Height (ft./in.)	ZX8D13SPSS OR ZX8D14SPSS		Ceiling Height (ft./in.)	ZX10D13SPSS OR ZX10D14SPSS		Ceiling Height (ft./in.)	ZX12D13SPSS OR ZX12D14SPSS	
	Installation Over Gas Range	Installation Over Electric Range		Installation Over Gas Range	Installation Over Electric Range		Installation Over Gas Range	Installation Over Electric Range
7' 0"		24	8' 3"		24	9' 4"		24
7' 1"		24-25	8' 4"		24-25	9' 5"		24-25
7' 2"		24-26	8' 5"		24-26	9' 6"		24-26
7' 3"		25-27	8' 6"		24-27	9' 7"		24-27
7' 4"		26-28	8' 7"		24-28	9' 8"		24-28
7' 5"		27-29	8' 8"		24-29	9' 9"		24-29
7' 6"		28-30	8' 9"		24-30	9' 10"		24-30
7' 7"		29-31	8' 10"		24-31	9' 11"		24-31
7' 8"	30	30-32	8' 11"	30	24-32	10' 0"	30	24-32
7' 9"	30-31	31-33	9' 0"	30-31	24-33	10' 1"	30-31	24-33
7' 10"	30-32	32-34	9' 1"	30-32	24-34	10' 2"	30-32	24-34
7' 11"	31-33	33-35	9' 2"	30-33	24-35	10' 3"	30-33	24-35
8' 0"	32-34	34-36	9' 3"	30-34	24-36	10' 4"	30-34	24-36
8' 1"	33-35	35-36	9' 4"	30-35		10' 5"	30-35	
8' 2"	34-36	36	9' 5"	30-36		10' 6"	30-36	
8' 3"	35-36		9' 6"		10' 7"			
8' 4"	36		9' 7"		10' 8"			
			9' 8"		10' 9"			
			9' 9"		10' 10"			
			9' 10"		10' 11"			
			9' 11"		11' 0"			
			10' 0"		11' 1"			
			10' 1"	11' 2"				
			10' 2"	11' 3"				
			10' 3"	31-36	11' 4"	30-36		
			10' 4"	32-36	11' 5"			
			10' 5"	33-36	11' 6"			
			10' 6"	34-36	11' 7"			
			10' 7"	35-36	11' 8"			
			10' 8"	36	11' 9"			
					11' 10"			
					11' 11"			
					12' 0"			
					12' 1"			
					12' 2"			
					12' 3"	31-36		
					12' 4"	32-36		
					12' 5"	33-36		
					12' 6"	34-36		
					12' 7"	35-36		
					12' 8"	36		

INSTALLATION EXAMPLES



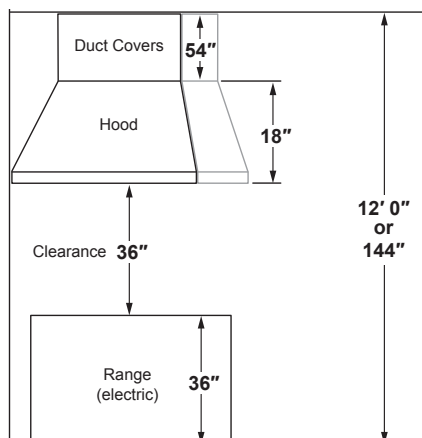
8 FT. CEILINGS

When the hood is installed 32" above a gas cooking surface, order 8' duct cover kit (ZX8D13SPSS). See duct cover table at 8' ceiling height for this example.



10 FT. CEILINGS

When the hood is installed 30" above a gas cooking surface, order 10' duct cover kit (ZX10D13SPSS). See duct cover table at 10' ceiling height for this example.



12 FT. CEILINGS

When the hood is installed 36" above a gas cooking surface, order 12' duct cover kit (ZX12D13SPSS). See duct cover table at 12' ceiling height for this example.