



OWNER'S MANUAL

Electric Warming Drawer

Español

Para consultar una versión en español de este manual de instrucciones, visite nuestro sitio de internet monogram.com.

TABLE OF CONTENTS

MODEL INFORMATION	2
CONSUMER SUPPORT	3
SAFETY INFORMATION	4
USING THE WARMING DRAWER	4
CARE AND CLEANING	10
ACCESSORIES	10
TROUBLESHOOTING	11
LIMITED WARRANTY	12

MODEL INFORMATION

MODEL NUMBERS

ZTW900S, ZTW900P, ZKW700S, ZKW700P

WRITE DOWN THE MODEL AND SERIAL NUMBERS

You can find them on a label located on the backside of the lower drawer front.

Use these numbers in any correspondence or service calls concerning your appliance.

Please write these numbers here:

Model Number

Serial Number

CONSUMER SUPPORT

MONOGRAM WEBSITE

Have a question or need assistance with your appliance? Try the Monogram website 24 hours a day, any day of the year! You can also shop for more great Monogram products and take advantage of all our on-line support services designed for your convenience. In the US: monogram.com

REGISTER YOUR APPLIANCE

Register your new appliance on-line at your convenience! Timely product registration will allow for enhanced communication and prompt service under the terms of your warranty, should the need arise. You may also mail in the pre-printed registration card included in the packing material. In the US: monogram.com/register

SCHEDULE SERVICE

Expert Monogram repair service is only one step away from your door. Get on-line and schedule your service at your convenience any day of the year.

In the US: monogram.com

PARTS AND ACCESSORIES

Individuals qualified to service their own appliances can have parts or accessories sent directly to their homes (VISA, MasterCard and Discover cards are accepted). Order on-line today 24 hours every day.

In the US: monogram.com/use-and-care/parts

Instructions contained in this manual cover procedures to be performed by any user. Other servicing generally should be referred to qualified service personnel. Caution must be exercised, since improper servicing may cause unsafe operation.

CONTACT US

If you are not satisfied with the service you receive from Monogram, contact us on our website with all the details including your phone number, or write to:

In the US: General Manager, Customer Relations | Monogram Appliances, Appliance Park | Louisville, KY 40225
monogram.com/contact

IMPORTANT SAFETY INFORMATION

READ ALL INSTRUCTIONS BEFORE USING THE APPLIANCE

▲WARNING

Read all safety instructions before using the product. Failure to follow these instructions may result in fire, electrical shock, serious injury or death.

▲WARNING IMPORTANT SAFETY NOTICE

All warming drawers can tip and injury could result if not properly installed.

To prevent accidental tipping of the warming drawer, attach it to the wall with an anti-tip brace as described in the Installation Instructions.

▲WARNING GENERAL SAFETY INSTRUCTIONS

- Use this appliance only for its intended purpose as described in this Owner's Manual.
- Be sure your appliance is properly installed and grounded by a qualified installer in accordance with the provided installation instructions.
- Do not attempt to repair, replace or clean any part of your warming drawer unless it is specifically recommended in this manual. All other servicing should be transferred to a qualified technician.
- Before performing any service, disconnect the power supply at the household distribution panel by removing the fuse or switching off the circuit breaker.
- Do not leave children alone—children should not be left alone or unattended in an area where an appliance is in use. They should never be allowed to climb, sit or stand on any part of the appliance.
- **▲CAUTION** Do not store items of interest to children in cabinets above a warming drawer - children climbing on the warming drawer to reach items could be seriously injured.
- Use only dry pot holders—moist or damp pot holders on hot surfaces may result in burns from steam. Do not let pot holders touch hot heating elements. Do not use a towel or other bulky cloth in place of pot holders.
- Never use your appliance for warming or heating the room.
- Do not touch the heating elements or the interior surface of the warming drawer. These surfaces may be hot enough to burn even though they are dark in color. During and after use, do not touch, or let clothing or other flammable materials contact any interior area of the warming drawer; allow sufficient time for cooling first. Other surfaces of the appliance may become hot enough to cause burns. Potentially hot surfaces include the warming drawer vent opening, surfaces near the opening and crevices around the warming drawer door.
- Do not heat unopened food containers. Pressure could build up and the container could burst, causing an injury.
- Do not use aluminum foil to line the warming drawer bottom. Foil can trap heat or melt, resulting in damage to the product and a shock or fire hazard.
- Avoid scratching or impacting glass doors or control panels. Doing so may lead to glass breakage. Do not cook on a product with broken glass. Shock, fire or cuts may occur.
- The purpose of the warming drawer is to hold hot cooked foods at serving temperature (greater than 140°F). Bacteria will grow in food while it is below 140°F. Therefore, always start with hot food; cold food cannot be heated or cooked in the warming drawer.

READ AND SAVE THESE INSTRUCTIONS

IMPORTANT SAFETY INFORMATION

READ ALL INSTRUCTIONS BEFORE USING THE APPLIANCE

▲WARNING KEEP FLAMMABLE MATERIALS AWAY FROM THE WARMING DRAWER

Failure to do so may result in fire or personal injury.

- Do not store or use flammable materials in or near a warming drawer, including paper, plastic, pot holders, linens, wall coverings, curtains, drapes and gasoline or other flammable vapors and liquids.
- Never wear loose-fitting or hanging garments while using the appliance. These garments may ignite if they contact hot surfaces, causing severe burns.
- Do not let cooking grease or other flammable materials accumulate in or near the warming drawer. Grease in the warming drawer or near the warming drawer may ignite.

▲WARNING IN THE EVENT OF A FIRE, TAKE THE FOLLOWING STEPS TO PREVENT INJURY AND FIRE SPREADING

- Do not use water on grease fires. Never pick up a flaming pan.
- If there is a fire in the warming drawer, smother the fire by closing the warming drawer door and turning the warming drawer off or by using a multi-purpose dry chemical or foam-type fire extinguisher.

▲WARNING WARMING DRAWER SAFETY INSTRUCTIONS

- Stand away from the warming drawer when opening the warming drawer door. Hot air or steam which escapes can cause burns to hands, face and/or eyes.
- Keep the warming drawer vent unobstructed.
- Keep the warming drawer free from grease buildup. Grease in the warming drawer may ignite.
- Place warming drawer racks in desired location while warming drawer is cool. If rack must be moved while warming drawer is hot, do not let pot holder contact hot heating element in warming drawer.
- Do not leave items such as paper, cooking utensils or food in the warming drawer when not in use. Items stored in a warming drawer can ignite.

How to Remove Protective Shipping Film and Packaging Tape

Carefully grasp a corner of the protective shipping film with your fingers and slowly peel it from the appliance surface. Do not use any sharp items to remove the film. Remove all of the film before using the appliance for the first time.

To assure no damage is done to the finish of the product, the safest way to remove the adhesive from packaging tape on new appliances is an application of a household liquid dishwashing detergent. Apply with a soft cloth and allow to soak.

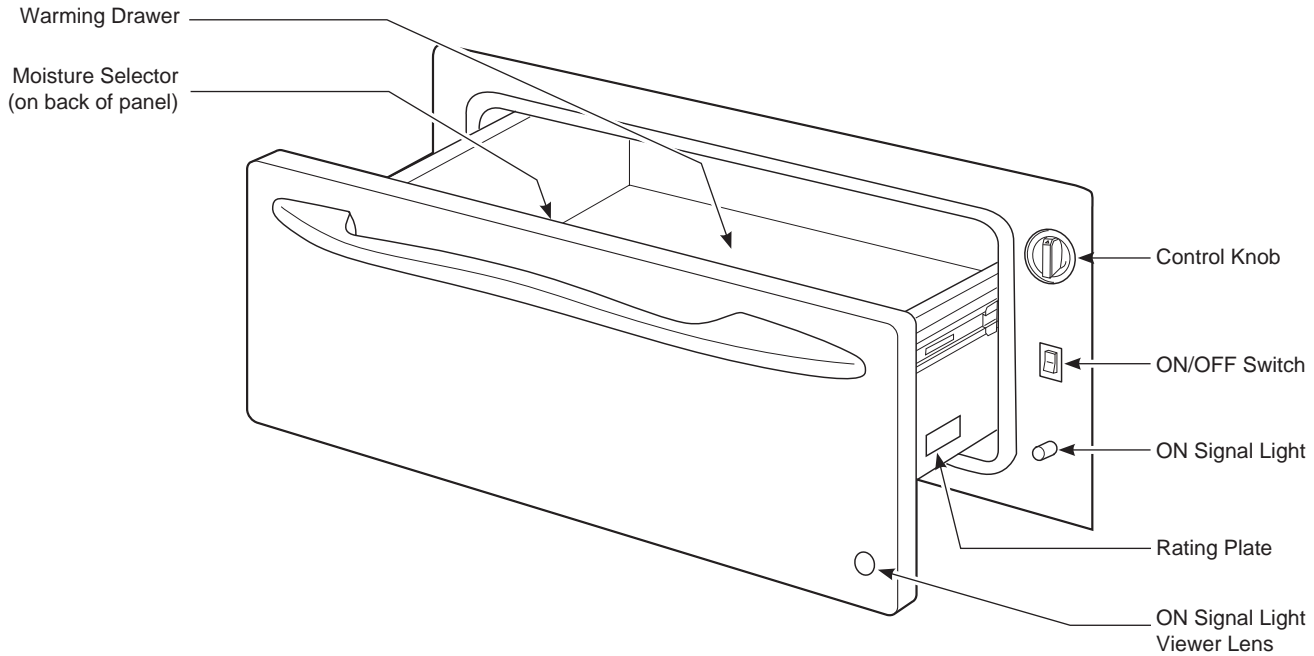
NOTE: The adhesive must be removed from all parts. It cannot be removed if it is baked on.

READ AND SAVE THESE INSTRUCTIONS

USING THE WARMING DRAWER

Features

Not all features are on all models. Appearance may vary.



The warming drawer will keep hot, cooked foods at serving temperature. Always start with hot food. Do not use to heat cold food other than proofing yeast dough, crisping crackers, chips or dry cereal.

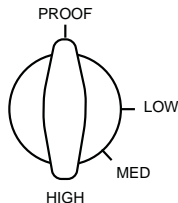
Control Knob

The warming drawer controls are hidden with the drawer shut. Open the drawer. The controls are on the right side of the front frame.

Turn the control knob to the desired setting.

To use the warming drawer, press the **ON/OFF** switch to the ON position.

Slide the moisture selector control to the open or closed setting (See the Moisture Selector section).



PROOF	75–95°F
LOW	140–160°F
MED.	160–195°F
HIGH	195–230°F

ON Signal Light

The ON signal light is located below the ON/OFF switch and glows when the ON/OFF switch is in the ON position. It stays on until the ON/OFF switch is moved to the OFF position.

The ON signal light is visible through the light viewer in the drawer front panel when the drawer is closed. This is a reminder that the heat is on.

Moisture Selector

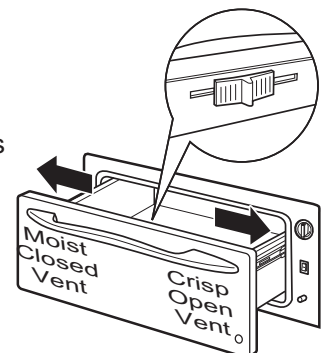
The moisture selector is located on the inside front of the drawer.

To keep foods moist, slide the moisture selector control away from the control knob. This closes the vent and seals the moisture inside the drawer. With the vent closed hot foods stay moist and soft.

In this setting condensation may occur around the inside edge of the drawer.

To keep foods crisp, slide the moisture selector control to the right towards the control knob. This opens the vents and allows the moisture to escape.

With the vents open, it is normal for moisture to collect on surfaces above the warming drawer.

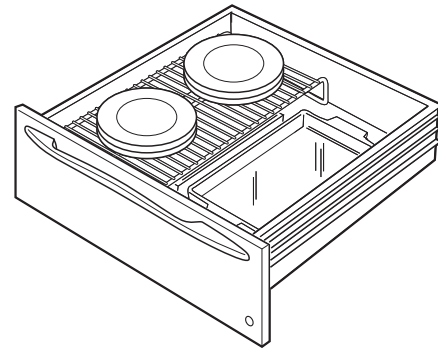
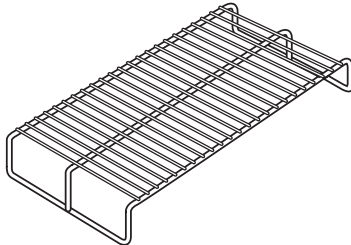


USING THE WARMING DRAWER

Operating Tips

Rack

- Rack will fit from front to back.
- Preheat with the rack in place.
- Using the rack allows for double stacking of items.



Double stacking items with the rack in position.

When Using The Warming Drawer

Do not line the warming drawer with aluminum foil.

- Allow time for the drawer to be preheated:
 - LOW** 8 minutes
 - MED** 15 minutes
 - HIGH** 20 minutes

NOTE: It is not necessary to preheat the drawer for proofing.

Food in heat-safe glass and glass ceramic pans may need higher thermostat setting as compared to food in metal pans.

- Repeated opening of the drawer allows the hot air to escape and the food to cool. Allow extra time for temperature inside the drawer to stabilize after adding items.

- With large loads it may be necessary to use a higher thermostat setting and cover some of the cooked food items.
- Food should be kept hot in its cooking container or transferred to a heat-safe serving dish.
- Aluminum foil may be used to cover food to prevent it from drying out.

CAUTION Plastic containers or plastic wrap will melt if in direct contact with the drawer. Melted plastic may not be removable and is not covered under your warranty.

- Remove serving spoons, etc., before placing containers in warming drawer.

To Warm Serving Bowl And Plates

To warm serving bowls and plates set the control on LOW.

- Use only heat-safe dishes.
- Place the empty dishes on the rack to raise them off the bottom of the drawer. If you want hotter dishes or want to heat fine china, please check with the manufacturer of the dishes for their maximum heat tolerance.
- Preheat empty serving dish while preheating the drawer.

- When holding hot, cooked foods and warming empty serving dishes at the same time, place the serving dishes on the high rack position and the food on the bottom of the drawer.

CAUTION Dishes may be hot. Use pot holders or mitts when removing hot dishes.

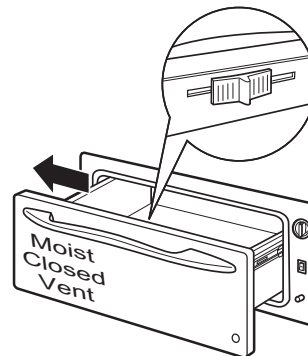
USING THE WARMING DRAWER

Operating Tips

To Proof Yeast Bread Dough

Yeast dough can be proofed in the warming drawer.

- Place your dish on the warming drawer bottom.
- Close the vent.
- Lightly oil the top of the dough in a bowl large enough to double the dough size. Cover with a cloth.
- Preheating not required for proofing.
- Check the dough height in 40 minutes. Add time as needed. The dough should remain in the drawer until it has doubled in size and a slight depression remains when the surface is touched gently with a finger.

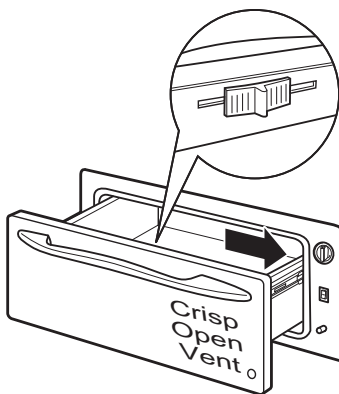


To Crisp Stale Items

- Place food in low sided dishes or pans.
- Preheat on LOW setting and open the vent.
- Check crispness after 45 minutes. Add time as needed.

Temperature Selection Chart for Crisp Foods

To keep several different foods hot, set the temperature to the food needing the highest setting. Place the items needing the highest setting on the bottom of the drawer and items needing less heat on the rack.



Food Type	Control Setting	Moisture Selector Setting
Bacon	HIGH	OPEN
Bread, hard rolls	MED	OPEN
Fried foods	HIGH	OPEN
Pies, two crusts	MED	OPEN
Pizza	HIGH	OPEN
Potatoes, baked	HIGH	OPEN
Tortilla Chips	LOW	OPEN

Tips:

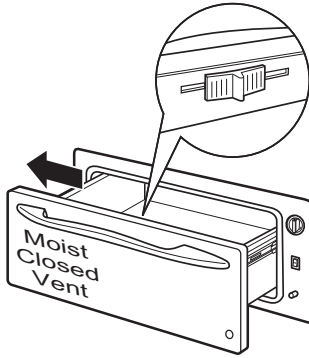
- Leave food uncovered.
- Do not use plastic containers or plastic wrap.
- Preheat prior to use according to recommended times.

USING THE WARMING DRAWER

Operating Tips

Temperature Selection Chart for Moist Foods

To keep several different foods hot, set the temperature to the food needing the highest setting. Place the items needing the highest setting on the bottom of the drawer and items needing less heat on the rack.



Food Type	Control Setting	Moisture Selector Setting
Beef, medium and well done*	MED	CLOSED
Bread, soft rolls	MED	CLOSED
Casseroles	MED	CLOSED
Cooked cereal	MED	CLOSED
Eggs	MED	CLOSED
Fish, seafood	MED	CLOSED
Fruit	MED	CLOSED
Gravy, cream sauces	MED	CLOSED
Ham	MED	CLOSED
Lamb	MED	CLOSED
Pancakes, waffles	HIGH	CLOSED
Pies, one crust	MED	CLOSED
Pork	MED	CLOSED
Potatoes, mashed	MED	CLOSED
Poultry	HIGH	CLOSED
Vegetables	MED	CLOSED

* USDA/FSIS recommends an internal temperature of 145°F. as the minimum doneness for beef. Use a portable meat thermometer to check internal temperatures.

Tips:

- Cover food with lid or aluminum foil.
- Do not put water in the warming drawer.
- Do not use plastic containers or plastic wrap.
- Preheat prior to use according to recommended times.

CARE AND CLEANING

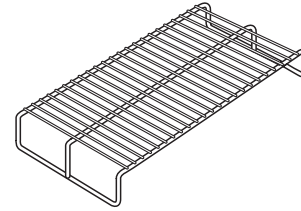
Be sure the controls are in the OFF position and all surfaces are cool before cleaning any part of the warming drawer.

Painted Or Enameled Surfaces

Use soap and warm water to thoroughly clean.

Rack

Clean the rack with detergent and water. After cleaning, rinse the rack with clean water and dry with a clean cloth.



Stainless Steel - Excluding Black Stainless Steel (on some models)

Do not use a steel wool pad; it will scratch the surface.

To clean the stainless steel surface, use warm sudsy water or a stainless steel cleaner or polish. Always wipe the surface in the direction of the grain. Follow the cleaner instructions for cleaning the stainless steel surface.

Cleaners with oxalic acid such as Bar Keepers Friend Soft Cleanser™ will remove surface rust, tarnish and small blemishes. Use only a liquid cleanser free of grit and rub in the direction of the brush lines with a damp, soft sponge.

To inquire about purchasing cleaning products including stainless steel appliance cleaner or polish, see the Accessories and Consumer Support sections at the end of this manual.

Control Knob

The control knob may be removed for easier cleaning.

Make sure the knob is in the PROOF position and pull it straight off the stem for cleaning.

The knob should be washed with soap and water. Make sure the inside of the knob is dry before replacing.

Replace the knob in the PROOF position to ensure proper placement.

ACCESSORIES

Looking For Something More?

Monogram offers a variety of accessories to improve your cooking and maintenance experiences!

Refer to the Consumer Support page for phone numbers and website information.

The following products and more are available:

Accessories

27" Wide Custom Panel Kit

30" Wide Custom Panel Kit

Parts

Wire Rack

Cleaning Supplies

CitruShine™ Stainless Steel Wipes

Stainless Steel Appliance Cleaner

TROUBLESHOOTING

Save time and money! Review the charts on the following pages first and you may not need to call for service.

Problem	Possible Cause	What To Do
Warming drawer will not work	A fuse in your home may be blown or the circuit breaker tripped.	Replace the fuse or reset the circuit breaker.
	Warming drawer not plugged in.	Plug in.
	Controls improperly set.	See the Using the warming drawer section.
Drawer does not slide smoothly or drags	Ball bearings out of alignment.	Fully extend the drawer and push it all the way in. See the Care and cleaning section.
	Drawer over-loaded or load unbalanced.	Reduce weight to less than 50 pounds. Redistribute drawer contents.
Excessive condensation	Liquid in warming drawer.	Remove liquid.
	Uncovered foods.	Cover food with lid or aluminum foil.
	Temperature setting too high.	Reduce temperature setting.
	Incorrect Moisture Selector setting.	Set the Moisture Selector to the open vent setting to allow venting.
No heat in the PROOF setting	Room temperature may prevent the thermostat from tripping on.	Turn the knob to LOW then back to PROOF.
Food dries out	Moisture escaping.	Cover food with lid or aluminum foil.

MONOGRAM LIMITED WARRANTY

Monogram.com

All warranty service is provided by our Factory Service Centers, or an authorized Customer Care® technician. To schedule service online, visit us at monogram.com/contact.

For the period of	Monogram Appliances will replace
Limited two-year warranty	For two years from date of original purchase, we will provide, free of charge, parts and service labor in your home to repair or replace any part of the unit that fails because of a manufacturing defect.

What Monogram will not cover:

- Service trips to your home to teach you how to use the product.
- Replacement of house fuses or resetting of circuit breakers.
- Failure of the product if it is used for other than its intended purpose or used commercially.
- Improper installation, delivery or maintenance.
- Damage to the product caused by accident, fire, floods or acts of God.
- Incidental or consequential damage caused by possible defects with this appliance.
- Damage caused after delivery.
- Product not accessible to provide required service.
- Installation or service for a makeup (replacement) air system.

EXCLUSION OF IMPLIED WARRANTIES

Your sole and exclusive remedy is product repair as provided in this Limited Warranty. Any implied warranties, including the implied warranties of merchantability or fitness for a particular purpose, are limited to one year or the shortest period allowed by law.

This limited warranty is extended to the original purchaser and any succeeding owner for products purchased for home use within the USA. If the product is located in an area where service by a Monogram Appliances Authorized Servicer is not available, you may be responsible for a trip charge or you may be required to bring the product to an Authorized Monogram Appliances Service location for service. In Alaska, the limited warranty excludes the cost of shipping or service calls to your home.

Some states do not allow the exclusion or limitation of incidental or consequential damages. This limited warranty gives you specific legal rights, and you may also have other rights which vary from state to state. To know what your legal rights are, consult your local or state consumer affairs office or your state's Attorney General.

Warrantor: GE Appliances, a Haier company, Louisville KY,40225



MANUAL DEL PROPIETARIO

Cajón para Calentar Eléctrico

ESPAÑOL

MONOGRAM.COM

TABLE DES MATIÈRES

INFORMACIÓN DEL MODELO	2
SOPORTE AL CLIENTE.....	3
INFORMACIÓN DE SEGURIDAD	4
USO DEL CAJÓN PARA CALENTAR.....	4
CUIDADO Y LIMPIEZA	10
ACCESORIOS	10
SOLUCIÓN DE PROBLEMAS	11
GARANTÍA LIMITADA	12

INFORMACIÓN DEL MODELO

NÚMEROS DE MODELO

ZTW900S, ZTW900P, ZKW700S, ZKW700P

ANOTE LOS NÚMEROS DE MODELO Y SERIE

Los podrá encontrar en la etiqueta ubicada en el lado trasero sobre el frente del cajón inferior.

Use estos números en cualquier correspondencia o llamadas al servicio técnico relacionadas con su horno de pared.

Escriba los números de modelo y de serie aquí:

Nº de Modelo _____

Nº de Serie _____

SOPORTE AL CLIENTE

SITIO WEB DE MONOGRAM

¿Desea realizar una consulta o necesita ayuda con su electrodoméstico? ¡Intente a través del sitio Web de Monogram las 24 horas del día, cualquier día del año! También puede comprar más grandiosos productos de Monogram y sacar ventaja de todos nuestros servicios de soporte a través de Internet, diseñados para su conveniencia.

En EE.UU.: monogram.com o en Canadá: monogram.ca

REGISTRE SU ELECTRODOMÉSTICO

¡Registre su electrodoméstico nuevo a través de Internet, según su conveniencia! Un registro puntual de su producto permitirá una mejor comunicación y un servicio más puntual de acuerdo con los términos de su garantía, en caso de surgir la necesidad. También puede enviar una carta en la tarjeta de inscripción pre impresa que se incluye con el material embalado.

En EE.UU.: monogram.com.

En Canadá: Prodsupport.mabe.ca/crm/Products/ProductRegistration.aspx

SERVICIO PROGRAMADO

El servicio de reparación de expertos de Monogram está a sólo un paso de su puerta. Conéctese a través de Internet y programe el servicio a su conveniencia cualquier día del año.

En EE.UU.: Monogram.com o 800.444.1845

En Canadá: Monogram.ca o 800.561.3344

CONECTIVIDAD REMOTA

Para recibir asistencia en relación a la conectividad de su red inalámbrica (para modelos con activación remota), visite nuestro sitio web en monogram.com/connect

PIEZAS Y ACCESORIOS

Individuos calificados para realizar el servicio técnico de sus propios electrodomésticos podrán solicitar el envío de piezas o accesorios directamente a sus hogares (se aceptan las tarjetas VISA, MasterCard y Discover). Ordene a través de Internet durante las 24 horas del día.

En EE.UU.: monogram.com/use-and-care/parts o 800.444.1845

Las instrucciones que figuran en este manual cubren los procedimientos que serán realizados por cualquier usuario. Otros servicios técnicos generalmente deberán ser derivados a personal calificado del servicio técnico. Se deberá tener cuidado, ya que una reparación indebida podrá hacer que el funcionamiento no sea seguro.

Los clientes de Canadá deberán consultar en el centro de servicio Mabe, visitar nuestro sitio web en monogram.ca o 800.661.1616..

CONTÁCTENOS

Si no se encuentra satisfecho con el servicio que recibió de Monogram, comuníquese con nosotros a través de nuestro sitio Web con todos los detalles, incluyendo su número telefónico, o escriba a :

En EE.UU.: General Manager, Customer Relations | Monogram Appliances, Appliance Park | Louisville, KY 40225

monogram.com/contact o 800.444.1845

En Canadá: monogram.ca/contact o 800.561.3344

INFORMACIÓN IMPORTANTE DE SEGURIDAD

LEA TODAS LAS INSTRUCCIONES ANTES DE USAR

▲ADVERTENCIA Lea todas las instrucciones antes de usar el producto. Si no se siguen estas instrucciones se podrán producir incendios, descargas eléctricas, lesiones graves o la muerte.

▲ADVERTENCIA AVISO IMPORTANTE DE SEGURIDAD

Todos los cajones para calentar se pueden volcar y producirse lesiones si no se instalan de forma correcta.

Para evitar caídas accidentales del cajón para calentar, adhiera el mismo a la pared con una abrazadera anti volcaduras, como se describe en las instrucciones de instalación.

▲ADVERTENCIA INSTRUCCIONES GENERALES DE SEGURIDAD

- Use este electrodoméstico sólo para su propósito original, como se describe en el Manual del Propietario.
- Asegúrese de que un instalador calificado instale su electrodoméstico de forma correcta y que esté adecuadamente conectado a tierra, de acuerdo con las instrucciones de instalación provistas.
- No intente reparar, reemplazar o limpiar ninguna parte del cajón para calentar, a menos que se recomiende específicamente en este manual. Cualquier otra reparación deberá ser realizada por un técnico calificado.
- Antes de realizar cualquier servicio técnico, desconecte el suministro de corriente desde el panel de distribución del hogar, retirando el fusible o desconectando el disyuntor.
- No deje a los niños solos – no se deberá dejar a los niños solos o fuera de su radio de atención en el área donde el electrodoméstico se encuentre en uso. Nunca se les deberá permitir trepar, sentarse o pararse sobre ninguna parte del electrodoméstico.
- **▲PRECAUCIÓN** No coloque artículos de interés para los niños sobre los gabinetes que están sobre un cajón para calentar – si los niños se trepan sobre el cajón para calentar para llegar a estos artículos podrán sufrir lesiones graves.
- Use sólo mangos de ollas secos – los mangos de ollas húmedos sobre superficies calientes podrán producir quemaduras debido al vapor. No deje que los mangos de las ollas toquen los elementos que están calientes. No use una toalla u otra tela voluminosa para reemplazar el mango de las cacerolas.
- Nunca use el electrodoméstico para calentar o calefaccionar la habitación.
- No toque los elementos de calefacción ni la superficie interior del cajón para calentar. Es posible que estas superficies estén demasiado calientes como para quemar, aunque su color sea oscuro. Durante y después del uso, no toque ni permita que telas u otros materiales inflamables tengan contacto con cualquier área interior del cajón para calentar; espere a que haya pasado un tiempo suficiente para que se enfríen. Otras superficies del electrodoméstico se podrán calentar lo suficiente como para ocasionar lesiones. Las superficies potencialmente calientes incluyen la abertura de la ventilación del cajón para calentar, superficies cercanas a la abertura y grietas alrededor de la puerta del cajón para calentar.
- No caliente envases de comida que no hayan sido abiertos. Se podría acumular presión y el envase podría explotar, ocasionando una lesión.
- No use papel de aluminio para revestir la parte inferior del cajón para calentar. El papel de aluminio puede atrapar el calor o derretirse, ocasionando daños sobre el producto y riesgos de descargas eléctricas o incendios.
- Evite rayaduras o impactos sobre las puertas de vidrio o los paneles de control. Hacer esto podrá producir la rotura de vidrios. No cocine un producto con un vidrio roto. Es posible que se produzcan descargas, incendios o cortes.
- El propósito del cajón para calentar es mantener las comidas cocinadas a temperatura para servir (superior a 140°F). Se generarán bacterias si la comida se encuentra a menos de 140°F. Por lo tanto, siempre comience con comida caliente; la comida fría no se podrá calentar ni cocinar en el cajón para calentar.

LEA Y GUARDE ESTAS INSTRUCCIONES

INFORMACIÓN IMPORTANTE DE SEGURIDAD

LEA TODAS LAS INSTRUCCIONES ANTES DE USAR

▲ADVERTENCIA MANTENGA LOS MATERIALES INFLAMABLES ALEJADOS DEL CAJÓN PARA CALENTAR

Si esto no se cumple, se podrán sufrir lesiones personales graves o incendios.

- No guarde ni use materiales inflamables en o cerca de un cajón para calentar, incluyendo papel, plástico, mangos de ollas, trapos, cobertores de pared, cortinas, paños y gasolina u otros vapores y líquidos inflamables.
- Nunca use prendas holgadas o que cuelguen mientras usa el electrodoméstico. Estas prendas se podrán incendiar si entran en contacto con superficies calientes, ocasionando quemaduras graves.
- No permita que la grasa de la cocción u otros materiales inflamables se acumulen en o cerca del cajón para calentar. La grasa que se encuentre en el cajón para calentar o cerca del mismo se podrá incendiar.

▲ADVERTENCIA EN CASO DE INCENDIO, SIGA LOS SIGUIENTES PASOS PARA EVITAR LESIONES Y LA PROPAGACIÓN DEL FUEGO

- No use agua sobre el fuego de la grasa. Nunca tome una olla que se esté incendiando.
- Si hay un incendio en el cajón para calentar, ahogue el fuego cerrando la puerta del cajón para calentar y apagando el mismo o usando un químico seco multipropósito o un extintor de incendio con espuma.

▲ADVERTENCIA INSTRUCCIONES DE SEGURIDAD DEL CAJÓN PARA CALENTAR

- Manténgase alejado del cajón para calentar al abrir la puerta del mismo. El aire caliente o el vapor que sale puede causar quemaduras en las manos, rostro y/u ojos.
- Mantenga desobstruida la ventilación del cajón para calentar.
- Mantenga el cajón para calentar libre de acumulación de grasa. La grasa del cajón para calentar se podrá incendiar.
- Coloque los estantes del cajón para calentar en la ubicación deseada mientras éste se encuentre frío. Si es necesario mover el estante mientras el cajón para calentar está caliente, evite que el mango de la olla tenga contacto con el elemento de calentamiento que se encuentra caliente en el cajón para calentar.
- No deje productos tales como papel, utensilios de cocina o comida en el cajón para calentar cuando no esté en uso. Los ítems guardados en el cajón para calentar se podrán incendiar.

Cómo Retirar la Película Protectora de Envío y la Cinta de Embalaje

Con cuidado tome un extremo de la película protectora de envío con los dedos y lentamente retire la misma de la superficie del electrodoméstico. No utilice ningún producto filoso para retirar la película. Retire toda la película antes de usar el electrodoméstico por primera vez.

Para asegurar que no haya daños sobre el acabado del producto, la forma más segura de retirar el adhesivo de la cinta de embalaje en electrodomésticos nuevos es aplicando un detergente líquido hogareño para lavar platos. Aplique con una tela suave y deje que se seque.

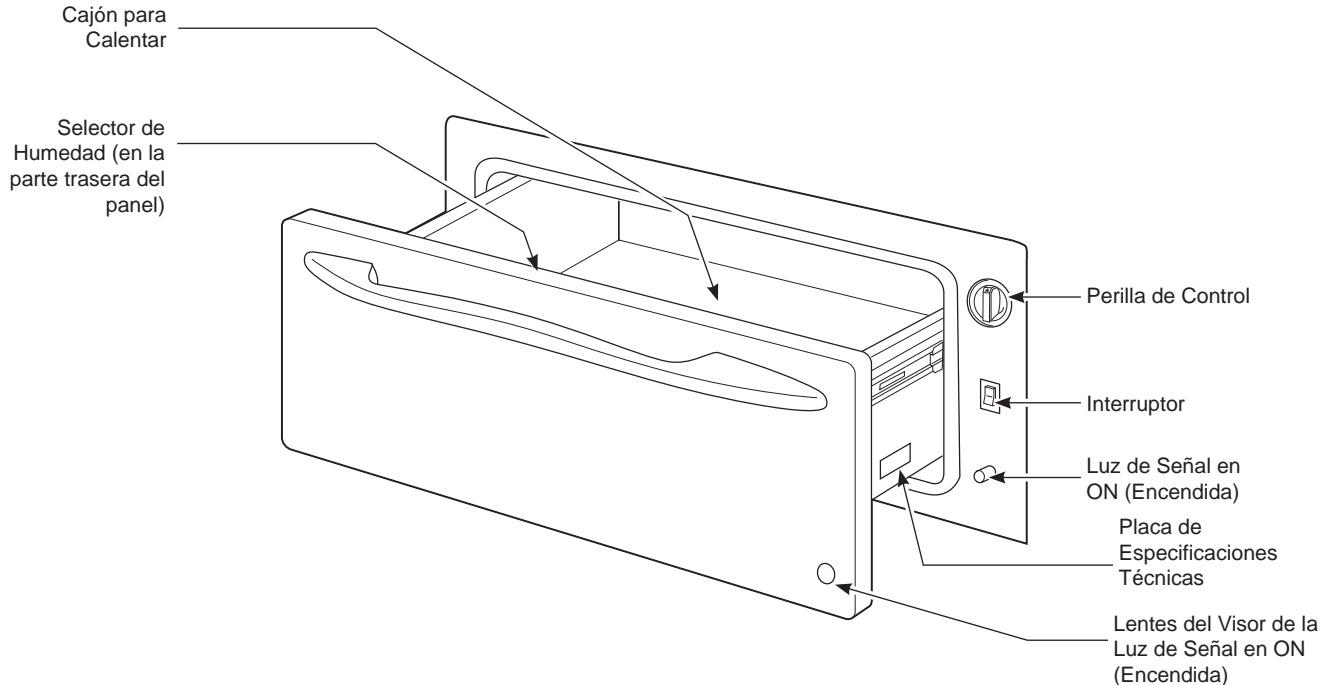
NOTA: El adhesivo deberá ser eliminado de todas las partes. No se puede retirar si se hornea con éste dentro.

LEA Y GUARDE ESTAS INSTRUCCIONES

USO DEL CAJÓN PARA CALENTAR

Funciones

No todas las funciones corresponden a todos los modelos. El aspecto puede variar.



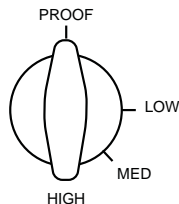
El cajón para calentar mantendrá las comidas calientes y cocinadas en la temperatura para servir. Siempre comience con comida caliente. No lo use para calentar comida fría excepto para leudar masa de levadura, galletas crujientes, papas fritas o cereales secos.

Perilla de Control

Los controles del cajón para calentar se encuentran escondidos en el cierre del cajón. Abra el cajón. Los controles están sobre el lado derecho del marco frontal.

Para usar el cajón para calentar, presione el interruptor **ON/OFF** (Encender/ Apagar) en la posición **ON** (Encender).

Deslice el control del selector de humedad sobre la posición abierta o apagada (Consulte la sección del Selector de Humedad).



Gire la perilla de control hasta la posición deseada.

PROOF (Leudar)	75 a 95°F
LOW (Bajo)	140 a 160°F
MED (Medio)	160 a 195°F
HIGH (Alto)	195 a 230°F

Luz de Señal en ON (Encendida)

La luz de señal **ON** (Encendida) se encuentra ubicada debajo del interruptor **ON/OFF** (Encendido/ Apagado) y brilla cuando el interruptor **ON/OFF** (Encendido/ Apagado) está en la posición **ON** (Encendido). Permanece encendido hasta que el interruptor **ON/OFF** (Encendido/ Apagado) se mueve a la posición **OFF** (Apagado).

La luz de señal **ON** (Encendido) es visible a través del visor de luz en el panel frontal del cajón cuando se cierra el cajón. Éste es un recordatorio de que el calor está activado.

Selector de Humedad

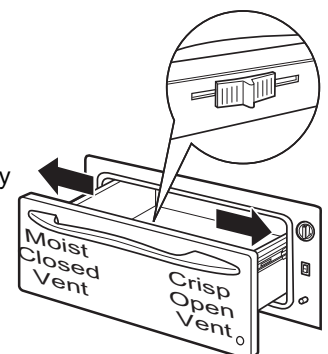
El selector de humedad se encuentra ubicado en el frente interior del cajón.

Para mantener las comidas húmedas, deslice el control del selector de humedad hacia afuera de la perilla de control. Esto cierra la ventilación y sella la humedad dentro del cajón. Con la ventilación cerrada las comidas calientes permanecen húmedas y suaves.

En esta configuración, se podrá producir condensación alrededor del extremo interior del cajón.

Para mantener las comidas crocantes, deslice el control del selector de humedad hacia la derecha en dirección a la perilla de control. Esto abre las ventilaciones y permite que la humedad salga.

Con las ventilaciones abiertas, es normal que se acumule humedad sobre superficies que están por encima del cajón para calentar.

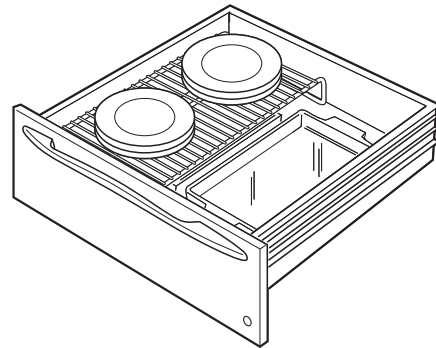
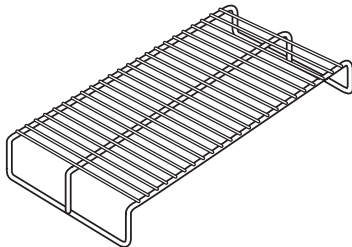


USO DEL CAJÓN PARA CALENTAR

Consejos de Funcionamiento

Estante

- El estante calzará desde el frente hasta la parte trasera.
- Precaliente con el estante en su posición.
- El uso del estante permite un doble apilamiento de los ítems.



Apilamiento doble de los ítems con el estante en su posición.

Al Usar el Cajón para Calentar

No alinee el cajón para calentar con el papel de aluminio.

- Deje transcurrir un tiempo hasta que el cajón se precaliente:

LOW (Bajo)	8 minutos
MED (medio)	15 minutos
HIGH (Alto)	20 minutos

NOTA: No es necesario precalentar el cajón para leudar.

Es posible que la comida en recipientes de vidrio con protección térmica o cacerolas de vidrio cerámico necesiten una configuración más alta del termostato en comparación con las comidas en cacerolas metálicas.

- La apertura repetida del cajón permite que el aire caliente salga y que la comida se enfríe. Deje transcurrir un tiempo adicional para que la temperatura interior del cajón se estabilice luego de agregar ítems.

- Con cantidades grandes es posible que sea necesario usar una configuración de termostato más alta y cubrir algunos de los ítems de comida cocinados.
- La comida se deberá mantener caliente en su envase de cocción o ser transferida a un plato con protección térmica para servir.
- Se podrá usar papel de aluminio para cubrir la comida, a fin de evitar que se seque.

⚠ PRECAUCIÓN

Los envases de plástico o envoltorios de plásticos se derretirán si entran en contacto directo con el cajón. Es posible que no pueda quitar el plástico derretido y esto no está cubierto por la garantía.

- Retire las cucharas para servir, etc., antes de colocar envases en el cajón para calentar.

Para Calentar Tazones y Platos para Servir

Para calentar tazones y platos para servir configure el control en LOW (Bajo).

- Use sólo platos resistentes al calor.
- Coloque los platos vacíos en el estante para elevarlos de la parte inferior del cajón. Si desea platos más calientes o calentar porcelana fina, consulte al fabricante de los platos sobre el nivel de tolerancia máxima de calor.
- Precaliente el plato para servir vacío mientras precalienta el cajón.

- Al mantener calientes comidas ya cocinadas y al calentar platos vacíos para servir al mismo tiempo, coloque los platos para servir en la posición de estantes alta y la comida en la parte inferior del cajón.

⚠ PRECAUCIÓN

Es posible que los platos estén calientes. Use suspensores de ollas o guantes al retirar platos calientes.

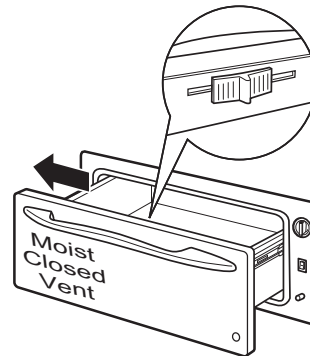
USO DEL CAJÓN PARA CALENTAR

Consejos de Funcionamiento

La masa con levadura se podrá leudar en el cajón para calentar.

La masa con levadura se podrá leudar en el cajón para calentar.

- Coloque su plato en la parte inferior del cajón para calentar.
- Cierre la ventilación.
- Aceite levemente la parte superior de la masa en un recipiente lo suficientemente grande como para duplicar el tamaño de la masa. Cubra con una tela.
- No es necesario el precalentamiento para leudar.
- Controle la altura de la masa en 40 minutos. Agregue tiempo según sea necesario. La masa deberá permanecer en el cajón hasta que haya duplicado su tamaño y se produzca una leve depresión cuando se toque la superficie de forma suave con el dedo.

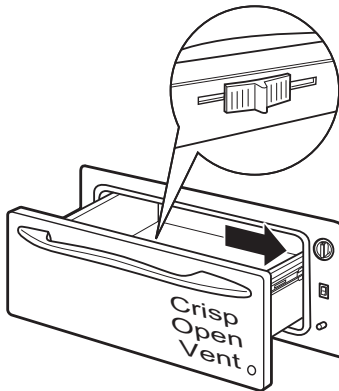


Para que Ítems Duros queden Crocantes

- Coloque comida en platos o cacerolas de la parte inferior.
- Precaliente en la configuración LOW (Baja) y abra la ventilación.
- Controle si está crocante luego de 45 minutos. Agregue tiempo según sea necesario.

Cuadro de Selección de Temperatura para Comidas Crocantes

Para mantener calientes varios tipos de comidas diferentes, programe la temperatura en la configuración para comidas que necesitan el grado más alto. Coloque los ítems que necesiten la configuración más alta en la parte inferior del cajón, y en el estante los ítems que necesiten menos calor.



Tipo de Comida	Configuración del Control	Configuración del Selector de Humedad
Tocino	HIGH (Alto)	ABRIR
Pan, panes crocantes	MED (Medio)	ABRIR
Pan, panes crocantes	HIGH (Alto)	ABRIR
Tartas, doble crocante	MED (Medio)	ABRIR
Pizza	HIGH (Alto)	ABRIR
Papas, horneadas	HIGH (Alto)	ABRIR
Tortilla Chips	LOW (Baja)	ABRIR

Consejos:

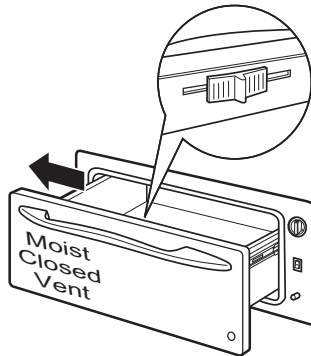
- Deje la comida descubierta.
- No use recipientes ni envoltorios de plástico.
- Precaliente antes del uso siguiendo los tiempos recomendados.

USO DEL CAJÓN PARA CALENTAR

Consejos de Funcionamiento

Cuadro de Selección de Temperatura para Comidas Húmedas

Para mantener calientes varios tipos de comidas diferentes, programe la temperatura en la configuración para comidas que necesitan el grado más alto. Coloque los ítems que necesiten la configuración más alta en la parte inferior del cajón, y en el estante los ítems que necesiten menos calor.



Tipo de Comida	Configuración del Control	Configuración del Selector de Humedad
Bife, medio o bien cocido*	MED (medio)	CERRADO
Pan, panes blandos	MED (medio)	CERRADO
Cazuelas	MED (medio)	CERRADO
Cereal cocido	MED (medio)	CERRADO
Huevos	MED (medio)	CERRADO
Pescado, mariscos	MED (medio)	CERRADO
Fruta	MED (medio)	CERRADO
Salsa para carne, salsas cremosas	MED (medio)	CERRADO
Jamón	MED (medio)	CERRADO
Cordero	MED (medio)	CERRADO
Panqueques, gofres	HIGH (Alto)	CERRADO
Tartas, una capa crocante	MED (medio)	CERRADO
Cerdo	MED (medio)	CERRADO
Papas, pisadas	MED (medio)	CERRADO
Ave	HIGH (Alto)	CERRADO
Vegetables	MED (medio)	CERRADO

*USDA/FSIS recomienda una temperatura interior de 145°F (62°C) como mínimo para un bife. Use un termómetro para carne portátil para controlar las temperaturas interiores.

Consejos:

- Cubra la comida con una tapa o papel de aluminio.
- No coloque agua en el cajón para calentar.
- No use recipientes ni envoltorios de plástico.
- Precaliente antes del uso siguiendo los tiempos recomendados.

CUIDADO Y LIMPIEZA

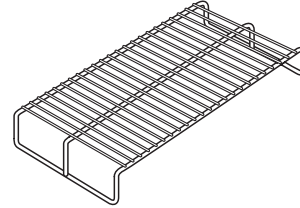
Asegúrese que todos los controles estén en la posición OFF (Apagado) y que todas las superficies estén frías antes de limpiar cualquier parte del cajón para calentar.

Superficies Pintadas o Esmaltadas

Use agua caliente y jabón para limpiar a fondo.

Estante

Limpie el estante con detergente y agua. Luego de la limpieza, enjuague el estante con agua limpia y seque con una tela limpia.



Acero Inoxidable

No use una viruta de acero; ésta dañara la superficie.

Para limpiar la superficie de acero inoxidable, use agua tibia con jabón o un limpiador o pulidor para acero inoxidable. Siempre limpie la superficie en la dirección del veteado. Siga las instrucciones del limpiador para limpiar la superficie de acero inoxidable.

Los limpiadores con ácido oxálico tales como Bar Keepers Friend Soft Cleanser™ eliminarán el óxido, deslustres y pequeñas manchas. Use sólo un limpiador líquido libre de material abrasivo y frote en la dirección de las líneas del cepillo con una esponja suave y húmeda.

Para realizar consultas sobre la adquisición de productos de limpieza, incluyendo limpiadores o pulidores para electrodomésticos de acero inoxidable, lea las secciones de Accesorios y Soporte al Consumidor al final de este manual.

Perilla de Control

La perilla de control se puede retirar para facilitar la limpieza. Asegúrese de que la perilla esté en la posición PROOF (Leudar) y extraiga la misma desde el vástago para su limpieza.

La perilla se deberá lavar con agua y jabón. Asegúrese que el interior de la perilla esté seco antes de volver a colocarla.

Vuelva a ubicar la perilla en la posición PROOF (Leudar) para asegurar una colocación adecuada.

ACCESORIOS

¿Busca Algo Más?

Monogram ofrece una variedad de accesorios para mejorar sus experiencias de cocción y mantenimiento!

Consulte la página de Apoyo al Consumidor para información sobre la página web.

Estos y otros productos están disponibles:

Accesorios

Kit del Panel a Medida de 27" de Ancho

Kit del Panel a Medida de 30" de Ancho

Piezas

Estante con Rejilla

Suministros de Limpieza

Limpiadores de Acero Inoxidable CitriShine

Limpiador para Electrodomésticos de Acero Inoxidable

CONSEJOS PARA LA SOLUCIÓN DE PROBLEMAS

¡Ahorre tiempo y dinero! Primero revise los cuadros que aparecen en las siguientes páginas y es posible que no necesite solicitar reparaciones.

Problema	Causa Posible	Qué Hacer
El cajón para calentar no funciona	Es posible que haya un fusible quemado en su hogar o que se haya desconectado el disyuntor.	Reemplace el fusible o reinicie el disyuntor.
	El cajón para calentar no está enchufado.	Enchufe el mismo.
	El control está configurado de forma incorrecta.	Consulte la sección de Uso del cajón para calentar.
El cajón no se desliza de forma pareja o se arrastra.	Las ruedas deslizantes están desalineadas.	Extienda totalmente el cajón y empuje el mismo totalmente hacia adentro. Consulte la sección de Cuidado y limpieza.
	El cajón está sobrecargado o la carga está desbalanceada.	Reduzca el peso a menos de 50 libras. Redistribuya los contenidos del cajón.
Condensación excesiva	Líquido en el cajón para calentar	Retire el líquido.
	Comidas no cubiertas	Cubra la comida con una tapa o papel de aluminio.
	La configuración de temperatura es demasiado alta.	Reduzca la configuración de temperatura.
	Configuración incorrecta del Selector de Humedad	Ajuste el Selector de Humedad en la configuración de ventilación abierta para permitir la ventilación.
No hay calor en la configuración PROOF (Leudar).	Es posible que la temperatura de la sala impida que el termostato se active.	Gire la perilla a LOW (Bajo) y luego nuevamente a PROOF (Leudar).
La comida se secó.	Escape de humedad	Cubra la comida con una tapa o papel de aluminio.

GARANTÍA LIMITADA DE MONOGRAM

Monogram.com

Todo el servicio de garantía es provisto por nuestros Centros de Servicio de Fábrica, o por un técnico autorizado de Customer Care® (Servicio al Cliente). Para programar el servicio a través de Internet, visítenos en monogram.com/contact.

Por el Período de	Monogram Appliances reemplazará
Garantía limitada de dos a—os	Durante dos años a partir de la fecha original de compra, otorgaremos, en forma gratuita, piezas y servicio técnico en su hogar para reparar o reemplazar cualquier parte de su cocina que falle debido a defectos en la fabricación.

Qué no cubrirá Monogram:

- Viajes del técnico del servicio a su hogar para enseñarle sobre cómo usar el producto.
- Instalación, entrega o mantenimiento inadecuados.
- Fallas del producto en caso de abuso, mal uso, modificación o uso para propósitos diferentes al original o uso comercial.
- Reemplazo de fusibles de la casa o reinicio de disyuntores.
- Daños ocasionados sobre el producto por accidente, incendio, inundaciones o catástrofes naturales.
- Daños incidentales o consecuentes causados por posibles defectos sobre este producto.
- Daños incidentales o consecuentes causados por posibles defectos sobre este producto.
- Daño causado después de la entrega.
- Producto no accesible para brindar el servicio requerido.

EXCLUSIÓN DE GARANTÍAS IMPLÍCITAS — Su única y exclusiva alternativa es la reparación del producto, como se indica en esta Garantía Limitada. Las garantías implícitas, incluyendo garantías implícitas de comerciabilidad o conveniencia sobre un propósito particular, se limitan a un año o al período más corto permitido por la ley.

Esta garantía limitada se extiende al comprador original y a cualquier dueño subsiguiente de productos comprados para uso hogareño dentro de EE.UU. Si el producto se encuentra en un área donde no se encuentra disponible un proveedor autorizado del servicio técnico, usted será responsable por el costo de un viaje o se le podrá requerir que traiga el producto a una ubicación Autorizada del Servicio Técnico. En Alaska, la garantía limitada excluye el costo de envío o llamadas del servicio a su hogar.

Algunos estados no permiten la exclusión o limitación de daños fortuitos o consecuentes. Esta garantía limitada le da derechos legales específicos y es posible que tenga otros derechos legales que varían entre un estado y otro. Para conocer cuáles son sus derechos legales, consulte a la oficina de asuntos del consumidor local o estatal o al Fiscal de su estado.

Garante: GE Appliances, a Haier company, Louisville KY,40225