

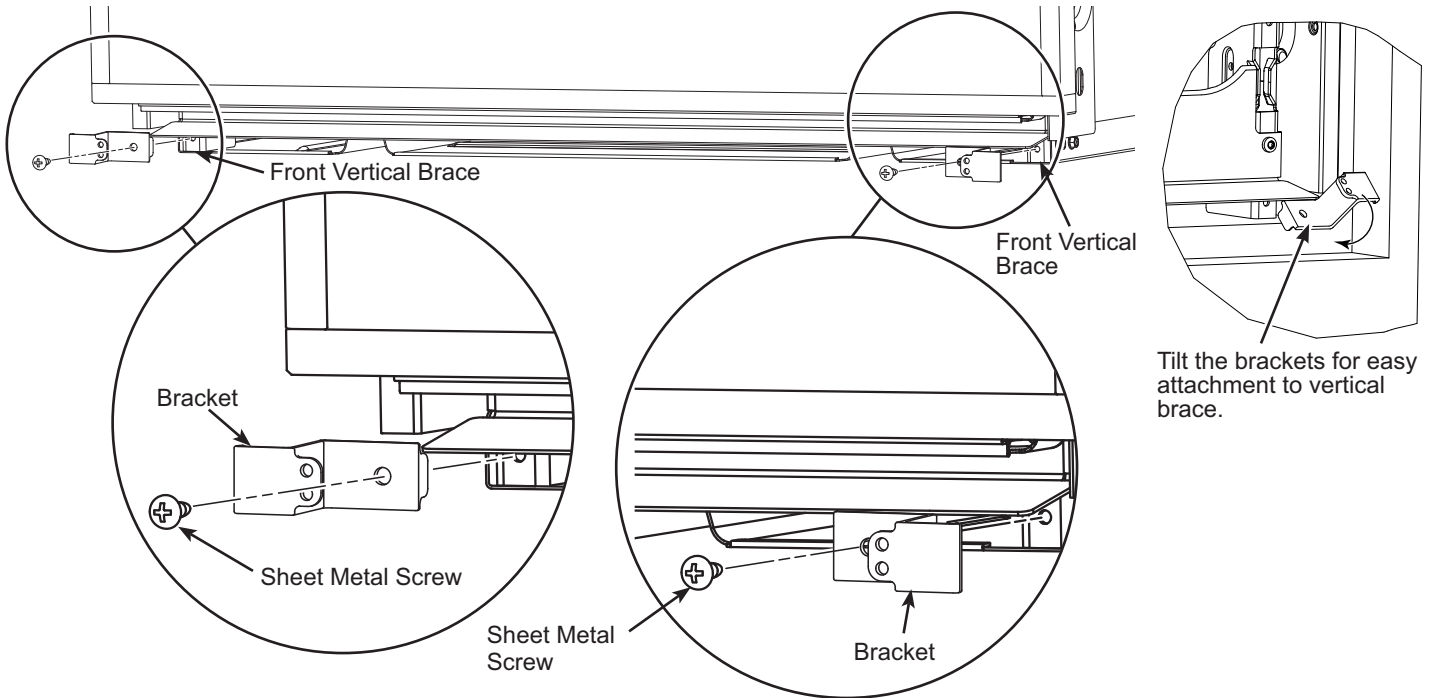


30" Wall Oven Bottom Trim Flush Mount Installation without Pedestal

Questions? Visit us at monogram.com. In Canada, visit monogram.ca.

The oven must be installed before you install this trim kit.

- Attach the BRACKETS on the left and right sides of the oven through mounting holes in the front vertical brace. Use the sheet metal screws provided.



- Attach the BOTTOM TRIM to these brackets with the flange inside the cabinet and toward the bottom. Use machine screws provided.

