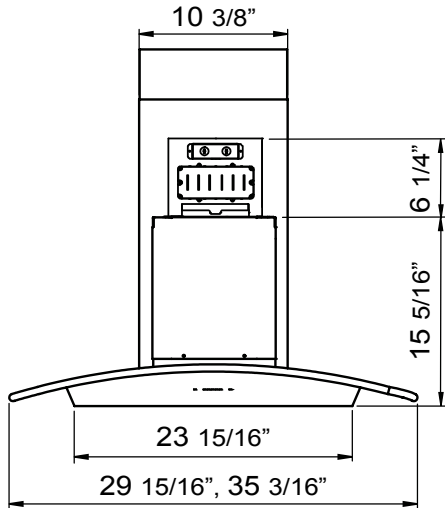
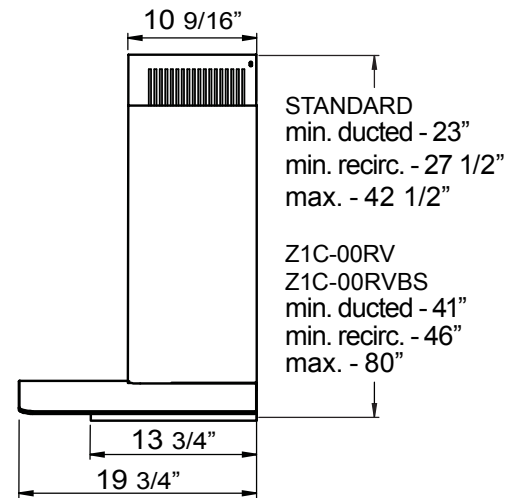


ACT™

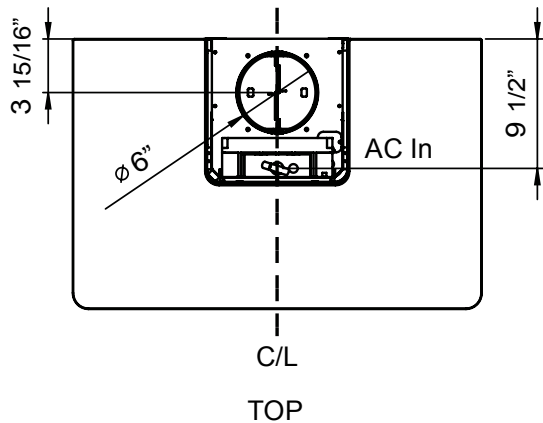
Min. - Max. CFM	INTERNAL BLOWER STANDARD	INTERNAL BLOWER with ACT™ AIRFLOW CONTROL TECHNOLOGY™*	
		200 - 600	200 - 390
Min. - Max. Sones	1 - 6	*AIRFLOW CONTROL TECHNOLOGY™ (ACT™) is an exclusive feature built into specific Zephyr hoods which can limit the maximum blower CFM to meet local code requirements.	



FRONT



SIDE



C/L  
TOP



Stainless Steel with Clear Glass Canopy



Black Stainless Steel with Smoke-Gray Glass Canopy

## MODEL

Stainless Steel w/ Clear Glass	ZRV-E30CGC	ZRV-M90CGC
Black Stainless Steel w/ Smoke-Gray Glass	ZRV-E30CBSGG	ZRV-M90CBSGG
Size	30"	36"

## BLOWER PERFORMANCE

Blower CFM (Min. - Max.)	200 - 600	200 - 600
Sones (Min. - Max.)	1 - 6	1 - 6
ACT 390 CFM (Min. - Max.)	200 - 390	200 - 390
ACT 290 CFM (Min. - Max.)	200 - 290	200 - 290

## FEATURES

ACT™ Technology	390, 290	390, 290
Controls	ICON Touch®	ICON Touch®
Speed Levels	5*	5*
Auto Delay-Off	Yes	Yes
Lighting	LumiLight LED, 6W x2	LumiLight LED, 6W x2
Dual-Level Lighting	Yes	Yes
Filters	Aluminum Mesh x1	Aluminum Mesh x1
Recirculating Option	Yes	Yes
Duct Cover Extension Option	Yes, Up to 12' Ceiling	Yes, Up to 12' Ceiling

## DUCT SPECIFICATIONS

Vertical Internal Blower	6" Round	6" Round
Horizontal Internal Blower	NA	NA
AC POWER	120V, 60Hz at Max. 4A	120V, 60Hz at Max. 4A

## OPTIONAL ACCESSORIES

Wireless Remote Control Kit	RC-0002	RC-0002
Recirculating Kit	ZRC-00RV	ZRC-00RV
Duct Cover Extension	Z1C-00RVBS (Black SS) Z1C-00RV (SS)	Z1C-00RVBS (Black SS) Z1C-00RV (SS)
Make-Up Air Kit	MUA006A	MUA006A

MOUNTING HEIGHT RANGE**	24" - 34"	24" - 34"
-------------------------	-----------	-----------

WARRANTY	3 years parts, 1 year labor	3 years parts, 1 year labor
----------	-----------------------------	-----------------------------

CEILING HEIGHT		8'	8.5'	9'	9.5'	10'	10.5'	11'	12'
STANDARD DUCT COVER	Ducted Mounting Height**	24" - 34"	24" - 34"	29.5" - 34"	NA	NA	NA	NA	NA
	Recirc Mounting Height**	24" - 32.5"	24" - 34"	29.5" - 34"	NA	NA	NA	NA	NA
EXTENSION DUCT COVER	Ducted Mounting Height**	NA	24" - 24.5"	24" - 30.5"	24" - 34"	24" - 34"	24" - 34"	24" - 34"	28" - 34"
	Recirc Mounting Height**	NA	NA	24" - 26"	24" - 32"	24" - 34"	24" - 34"	24" - 34"	28" - 34"

\*When ACT™ is enabled the maximum speed levels will change. ACT 390 CFM = 4 speeds and ACT 290 CFM = 3 speeds.

\*\*Mounting height refers to distance between top of a 36" tall cooking surface and bottom of hood.

**ACT™** Airflow Control Technology™ (ACT™) is an exclusive feature built into specific Zephyr hoods which can limit the maximum blower CFM to meet local code requirements.

Specifications subject to change, check zephyronline.com for up-to-date information.  
Zephyr Ventilation | 2277 Harbor Bay Parkway, Alameda, CA 94502 | 888.880.VENT

MAR23.0101

