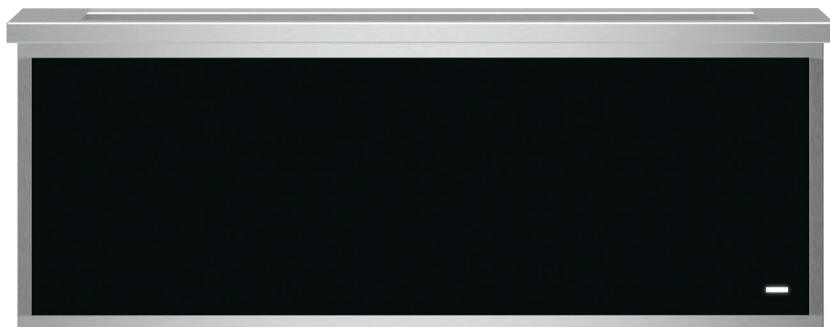


MONOGRAM 27" STAINLESS STEEL WARMING DRAWER

ZKW700SSNSS



THE MONOGRAM MINIMALIST COLLECTION

Streamlined design and precisely machined metals create a contemporary yet functional aesthetic

VARIABLE DEGREE CONTROL

Perfect for freshly-made meals or reheated dishes, variable temperature control offers heating options from 80- to 210-degrees for exceptional results every time.

VARIABLE HUMIDITY CONTROL

From crispy to moist, achieve exactly the right texture with variable humidity control that enhances every culinary creation.

FRAMELESS FRONT

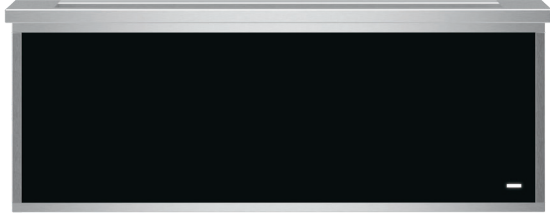
Expertly engineered for style, simplicity and functionality, the drawer's frameless front blends in seamlessly with its surroundings.

INDICATOR LIGHT

Convenient and tastefully unobtrusive indicator light illuminates when the drawer is on, for a functional yet contemporary aesthetic.

ELEVATED HALF RACK

Ideal for keeping food warm, the elevated half rack maximizes drawer space, simplifying the art of meal preparation.



SPECIFICATIONS

Overall Width	26 3/4" (68.0 cm)
Overall Height	10 1/2" (26.7 cm)
Overall Depth	23 1/4" (59.0 cm)
Drawer Capacity	1.67 cu. ft. (47.3 l)
Cut-out Width	25 1/2" (64.8 cm)
Cut-out Height	9 1/4" (23.5 cm)
Cut-out Depth	23 1/2" (59.7 cm)
Power Cord Length	56" (142.2 cm)
Electrical Rating	450W @ 120V/60Hz
Total Amps	15 Amps
Net Weight	53 lbs. (23.6 kg)
Approx. Shipping Weight	59 lbs. (26.8 kg)

ATTENTION ELECTRICIAN:

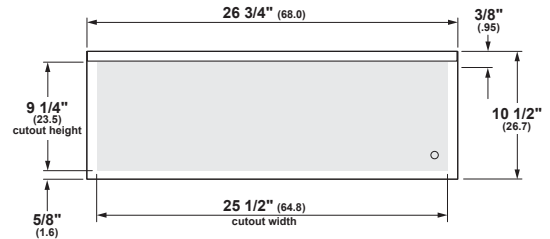
This appliance is supplied with a 56" (142.2 cm) long electrical cord equipped with a 3-prong (grounding) plug that mates to a standard 3-prong grounding wall outlet.

The electrical power cord is located on the right side of the warming drawer. Locate the wall outlet within easy reach of the electrical cord in an adjacent cabinet, within 42" (106.7 cm) of the right side or 16" (40.6 cm) from the left side of the cut-out. A recessed outlet can be installed on the right side of the cut-out, 7" (17.8 cm) max. from the rear of the cabinet.

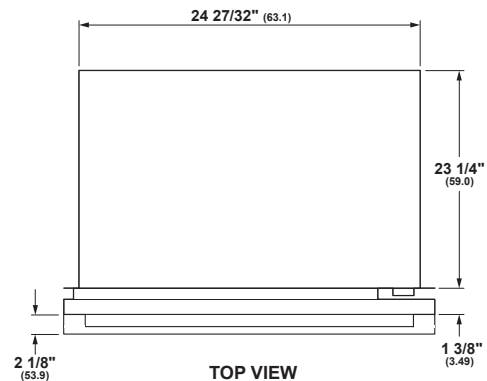
DO NOT USE AN EXTENSION CORD WITH THIS PRODUCT.

For more details refer to the installation instructions for this product.

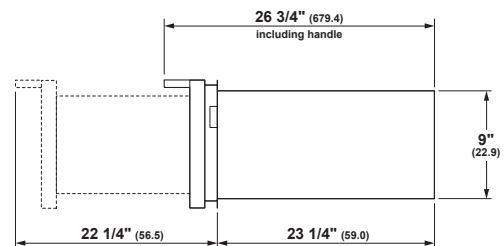
OVERALL DIMENSIONS



FRONT VIEW (SHOWING CUTOUT OVERLAP)



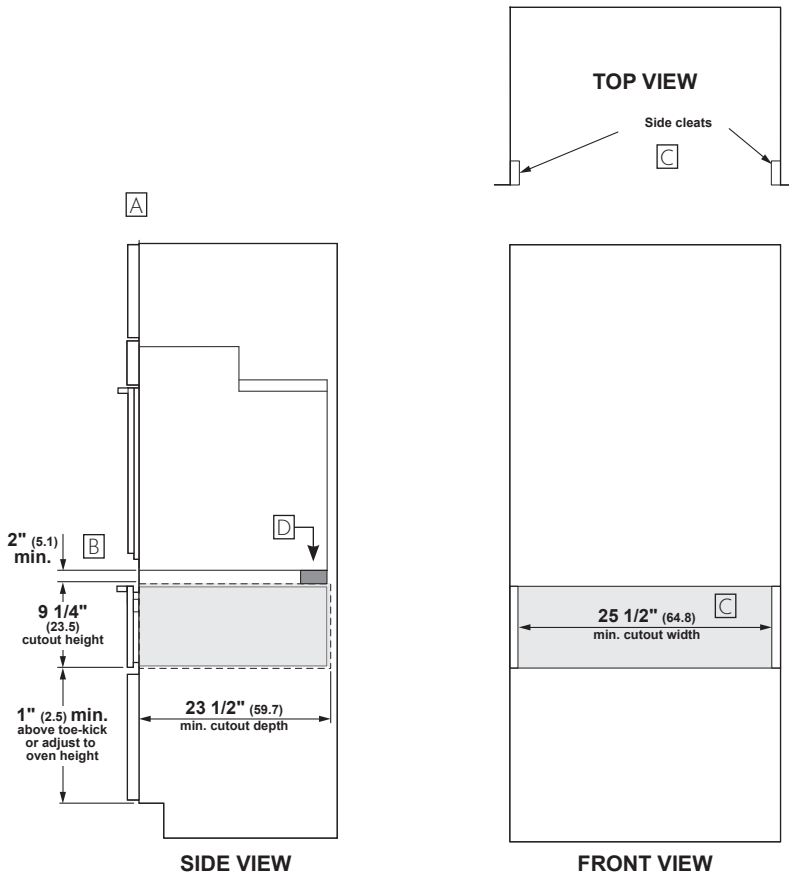
TOP VIEW



SIDE VIEW

Dimensions in parentheses are in centimeters unless otherwise noted. Actual product dimensions may vary due to manufacturing tolerances.

INSTALLATION BELOW SINGLE OR DOUBLE WALL OVEN

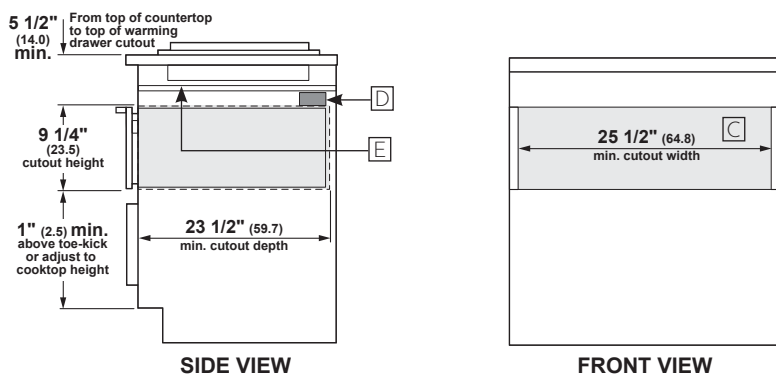


HELPFUL TIPS

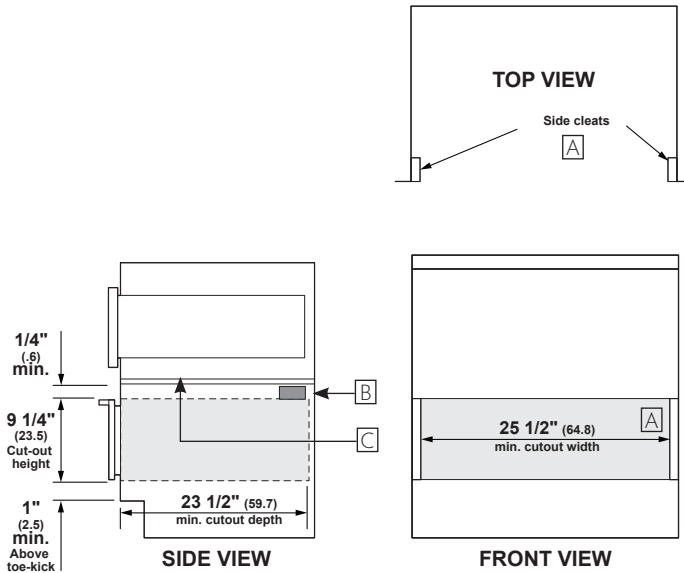
- A** Warming drawers are approved for installation below only certain specified wall oven and cooktop models. See the label attached to the top of the warming drawer for approved combinations.
- B** Additional clearance between cut-outs may be required. Check to be sure that oven supports above the warming drawer location do not obstruct the required interior 23-1/2" depth and 9-1/4" height.
- C** If you are installing in frameless cabinets, it may be necessary to install 1/2" wide cleats to accept drawer mounting screws. See drawer for mounting screw locations.
- D** Install a 2"x2" or 2"x4" Anti-tip block against rear wall, 9" from floor of cutout to bottom of block. The anti-tip block must be installed to prevent the drawer from tipping forward when opened and loaded. Failure to add the anti-tip block could result in personal injury.
- E** When installing the warming drawer below a cooktop, a solid barrier must be installed at least 1" from the lowest point of the bottom of cooktop burner box to the top of the cut-out. Use any solid material such as 1/4" thick plywood. Allow at least 1/4" air gap between the barrier and the top of the warming drawer.

For more details refer to the installation instructions for this product.

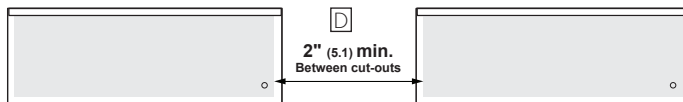
INSTALLATION BELOW COOKTOP



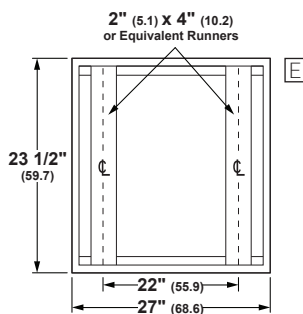
INSTALLATION BELOW A CABINET DRAWER



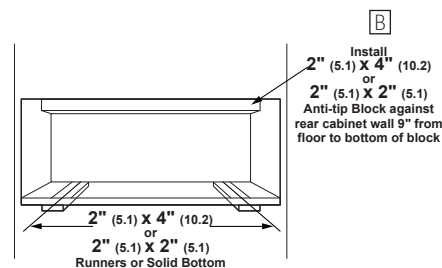
SIDE BY SIDE INSTALLATION



PROVIDING CABINET SUPPORT



INSTALLING ANTI-TIP BLOCKS

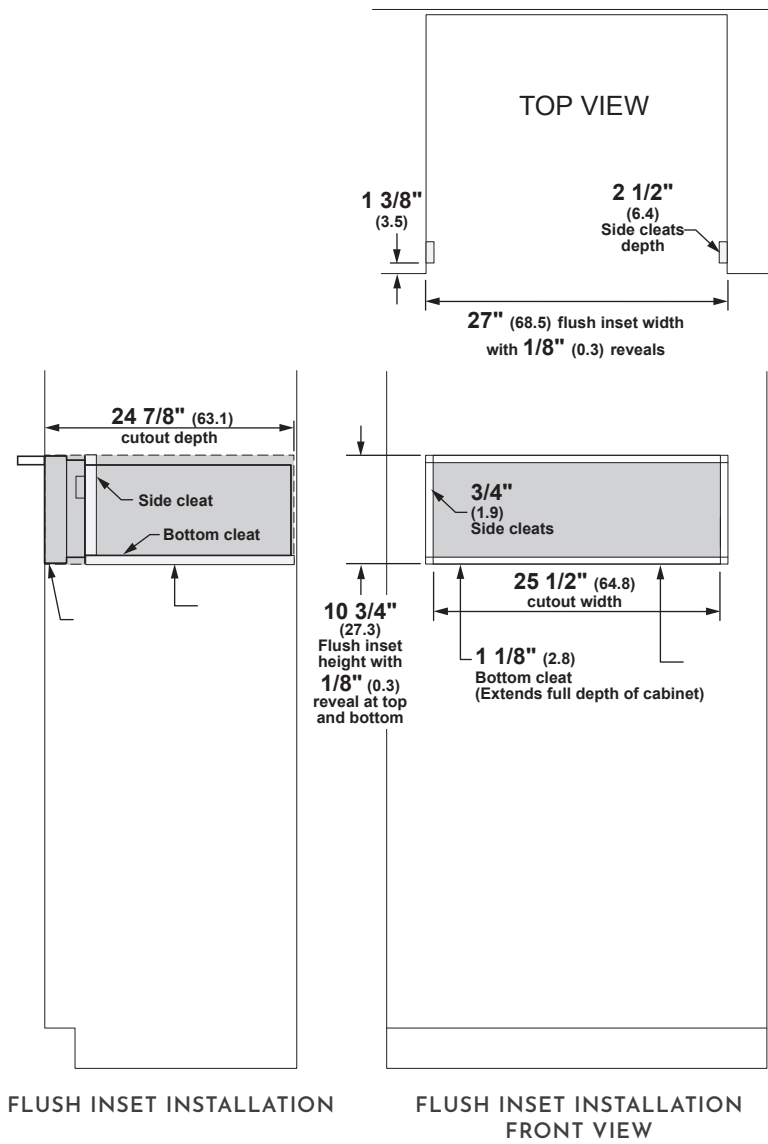


HELPFUL TIPS

- [A] If you are installing in frameless cabinets, it may be necessary to install 1/2" wide cleats to accept drawer mounting screws. See drawer for mounting screw locations.
- [B] Install a 2"x2" or 2"x4" anti-tip block against rear wall, 9" from floor of cutout to bottom of block. The anti-tip block must be installed to prevent the drawer from tipping forward when opened and loaded. Failure to add the anti-tip block could result in personal injury.
- [C] When installing the warming drawer below a cabinet drawer, a solid barrier must be installed at least above the warming drawer to block access. Use any solid material such as 1/4" thick plywood. Allow at least 1/4" air gap between the barrier and the top of the warming drawer. Observe the 5" min. above the floor or 1" min. above the toe kick installation height.
- [D] When installing two warming drawers side by side, install them in separate cut-outs and allow a 2" min. gap between each cut-out.
- [E] The warming drawer may be supported by either a solid bottom or 2"x2" or 2"x4" runners. The support must be level and rigidly mounted, flush with the bottom edge of the cut-out (there is no way to level the drawer once it has been installed, so make sure that the supports are level). The floor or runners must be capable of supporting at least 150 lbs.

For more details refer to the installation instructions for this product.

FLUSH INSTALLATION



HELPFUL TIPS

- A Cabinet surfaces must be an appearance finished surface for flush installation.
- B Cleats may be visible and should be finished to match cabinetry.