

Top of 80" Panel

84" Panel will extend above this template

Directions For Using Templates:

1. Align template bottom with bottom of door/drawer panel.
2. Tape the template of the door/drawer panel.
3. Drill all of 0.125" pilot holes.
4. Remove the template from the panel.

Solid Door Template Custom Panel

Pilot holes 0.125" diameter, 0.300" depth

Important: Before drilling holes for brackets, please make sure they do not line up with thin areas on the panel.

45 - 3/8" (1152.5 mm)

24 - 7/16" (620.5 mm)

13 - 1/2" (342.3 mm)

3 - 5/16" (84 mm)
2 - 7/16" (62 mm)

8 - 13/16" (224 mm)

3 - 5/16" (84 mm)
7/8" (22 mm)

1/2" (12 mm)

D1

1/2" (12 mm)

G1

1/2" (12 mm)

E1

6" (152.4 mm)

ART IS CORRECT IN SIZE AND SCALE
WHEN LINE LENGTH IS CORRECT

1/2" (12 mm)

A1

3 - 5/16" (84 mm)
7/8" (22 mm)

1/2" (12 mm)

G1

1/2" (12 mm)

B1

3/4" (20 mm)

13 - 1/2" (342.3 mm)

2 - 7/16" (62 mm)
3 - 5/16" (84 mm)

8 - 13/16" (224 mm)

24 - 7/16" (620.5 mm)

29 - 3/4" (755.6 mm)

23" (584 mm)

Top of 80" Panel

84" Panel will extend above this template

Directions For Using Templates:

1. Align template bottom with bottom of door/drawer panel.
2. Tape the template of the door/drawer panel.
3. Drill all of 0.125" pilot holes.
4. Remove the template from the panel.
5. Max window opening is 33-3/8"x23". Window opening may be smaller if desired.

Glass Door Template Custom Panel

Pilot holes 0.125" diameter, 0.300" depth

Important: Before drilling holes for brackets, please make sure they do not line up with thin areas on the panel.

MAX WINDOW OPENING

D1

A1

G1

G1

E1

B1

45 - 3/8" (1152.5 mm)

24 - 7/16" (620.5 mm)

13 - 1/2" (342.3 mm)

8 - 13/16" (224 mm)

6" (152.25 mm)

33 - 3/8" (848 mm)

3 - 3/8" (85.8 mm)

24 - 7/16" (620.5 mm)

13 - 1/2" (342.3 mm)

8 - 13/16" (224 mm)

3 - 5/16" (84 mm)
7/8" (22 mm)
1/2" (12 mm)

1/2" (12 mm)
7/8" (22 mm)
3 - 5/16" (84 mm)

3/4" (20 mm)
1/2" (12 mm)

1/2" (12 mm)
3/4" (20 mm)

3 - 5/16" (84 mm)
2 - 7/16" (62 mm)
1/2" (12 mm)

2 - 7/16" (62 mm)
3 - 5/16" (84 mm)
1/2" (12 mm)

6" (152.4 mm)
ART IS CORRECT IN SIZE AND SCALE
WHEN LINE LENGTH IS CORRECT

6" (152.25 mm)

31-1000150
01-19

29 - 3/4" (755.6 mm)

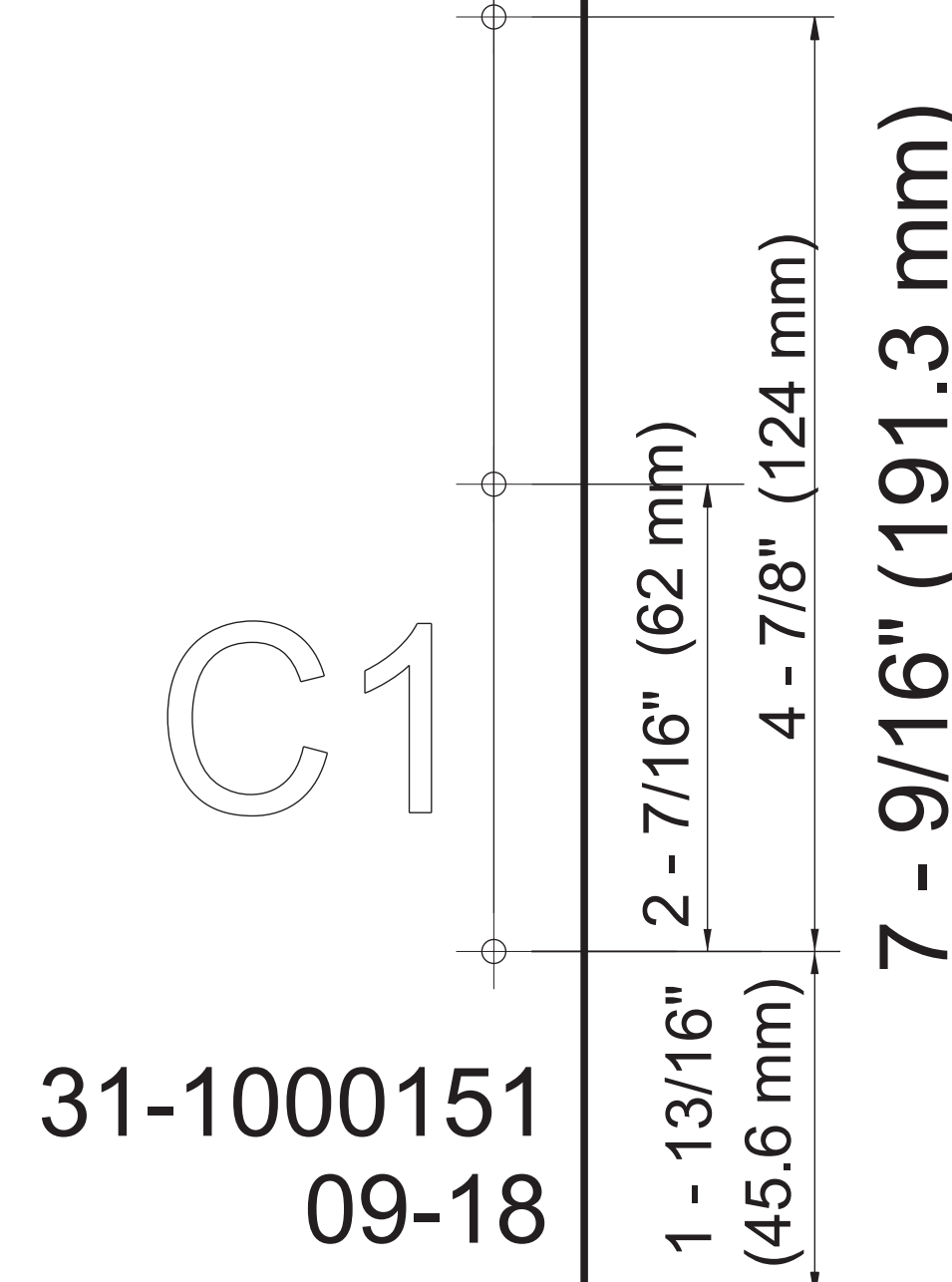
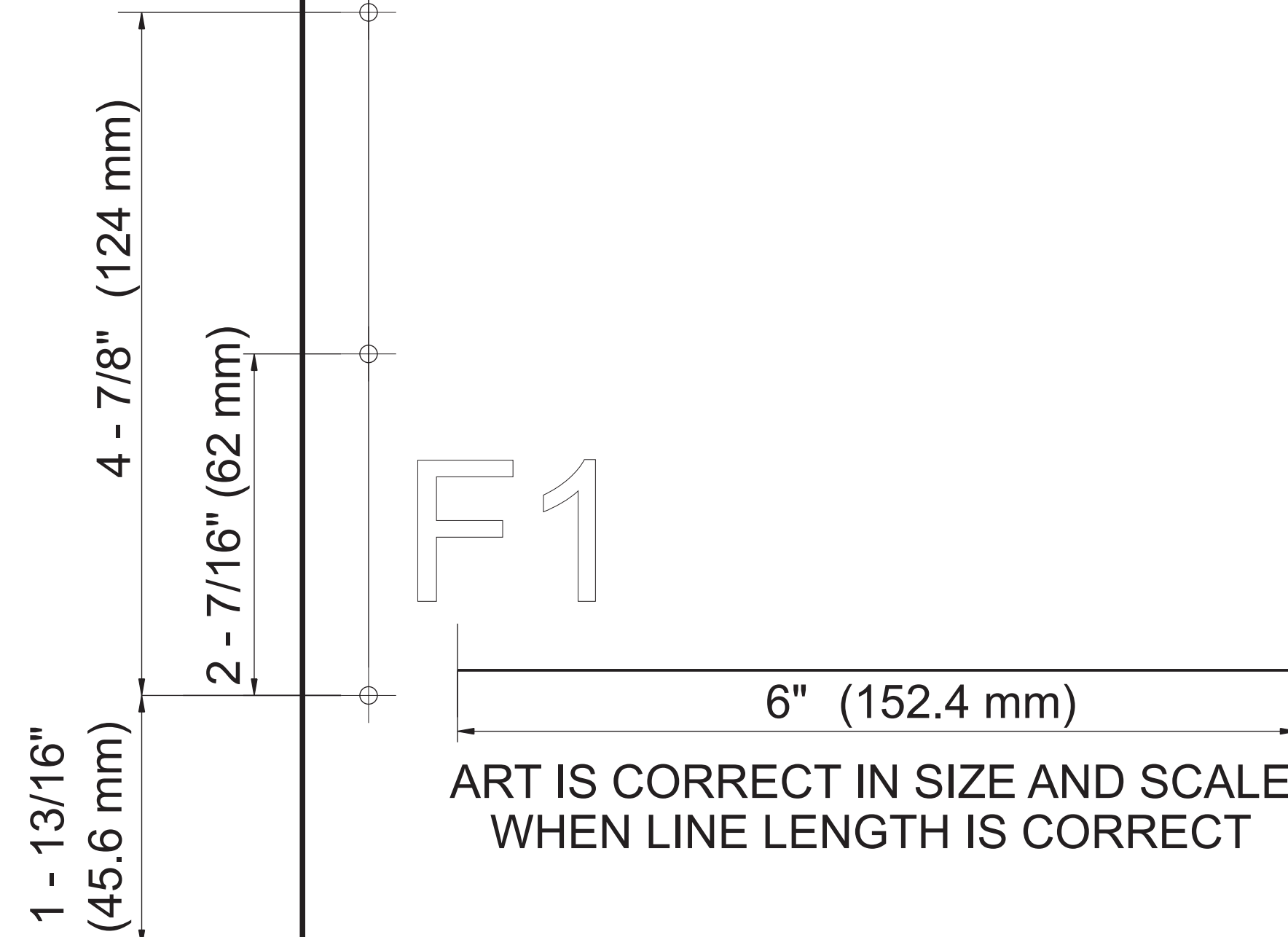
1/2" (12 mm)

1/2" (12 mm)

Top of Panel Freezer Drawer Template Custom Panel

Pilot holes 0.125" diameter, 0.300" depth

Important: Before drilling holes for brackets, please make sure they do not line up with thin areas on the panel.



BACK VIEW

29 - 3/4" (755.6 mm)

Top of Panel

Customizable Drawer Template

Custom Panel

Pilot holes 0.125" diameter, 0.300" depth

Important: Before drilling holes for brackets, please make sure they do not line up with thin areas on the panel.

22 - 3/4" (577.1 mm)

11 - 1/8" (282.7 mm)

7 - 7/16" (188.8 mm)

3 - 5/16" (84 mm)

7/8" (22 mm)

D1

1/2" (12 mm)

3 - 5/16" (84 mm)

2 - 7/16" (62 mm)

E1

1/2" (12 mm)

6" (152.4 mm)

ART IS CORRECT IN SIZE AND SCALE
WHEN LINE LENGTH IS CORRECT

A1

7/8" (22 mm)

3 - 5/16" (84 mm)

1/2" (12 mm)

11 - 1/8" (282.7 mm)

B1

2 - 7/16" (62 mm)

3 - 5/16" (84 mm)

1/2" (12 mm)

7 - 7/16" (188.8 mm)

31-1000152
09-18

BACK VIEW