

Installation Instructions

30 and 36" Electric Cooktop - Induction

Questions? Call us at 1.800.432.2737 or visit GEAppliances.com.
In Canada, call 1.800.561.3344 or visit GEAppliances.ca.

BEFORE YOU BEGIN

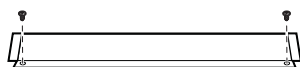
Read these instructions completely and carefully.

- **IMPORTANT** — Save these instructions for local inspector's use.
- **IMPORTANT** — Observe all governing codes and ordinances.
- **Note to Installer** – Be sure to leave these instructions with the Consumer.
- **Note to Consumer** – Keep these instructions for future reference.
- Product failure due to improper installation is not covered under the Warranty.

⚠ WARNING This appliance must be properly grounded.

- **ATTENTION INSTALLER** — ALL COOKTOPS MUST BE HARD WIRED (DIRECT WIRED) INTO AN APPROVED JUNCTION BOX. A "PLUG AND RECEPTACLE" IS NOT PERMITTED ON THESE PRODUCTS.
- Proper installation is the responsibility of the installer and product failure due to improper installation is NOT covered under warranty.
- Consider recycling options for your appliance packaging material.

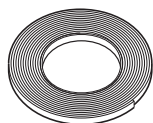
PARTS INCLUDED



Baffle
(For all installations
except over an oven)



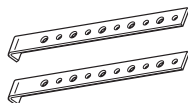
2 Hex-Head Screws



Foam Tape
WB06K5042

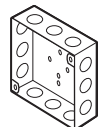


4 Phillips Screws
WB01X1137



2 Hold Down
Brackets
or order alternate
installation kit
WB01X24570

MATERIALS YOU WILL NEED



Junction Box
(Sized for conduit per
local electrical codes.)



Large Size
Wire Nuts



90° or Straight
Squeeze Connector
for 1" Conduit

TOOLS YOU MAY NEED



Pencil



Phillips Head
Screwdriver



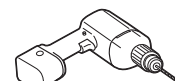
1/4" Nut Driver



Ruler or Straightedge



Saber Saw



1/8" Drill Bit & Electric or
Hand Drill



Safety Glasses

CUTTING THE COUNTERTOP

If you are installing the cooktop in a solid surface material such as granite, quartz or any other natural or synthetic solid surface, we recommend that the cutout be prepared by a professional cabinet or countertop installer.

Cooktop cutouts in wood or wood-laminate countertops may be able to be prepared using a saber saw and electric drill.

Installation Instructions

IMPORTANT SAFETY INSTRUCTIONS

FOR YOUR SAFETY

- For Personal Safety, remove house fuse or open circuit breaker before beginning installation. Failure to do so could result in serious injury or death.
- Be sure your cooktop is installed properly by a qualified installer or service technician.
- To eliminate the risk of burns or fire due to reaching over heated surface elements, cabinet storage located above the surface units should be avoided. If cabinet storage space is to be provided, the risk can be reduced by installing a range hood that projects horizontally a minimum of 5" beyond the bottom of the cabinets. Cabinet installation above the cooktop may be no deeper than 13".
- Make sure the cabinets and wall coverings around the cooktop can withstand the temperatures (up to 200°F) generated by the cooktop.
- The cooktop should be easy to reach and lighted with natural light during the day.
- Always disconnect the electrical service to the cooktop before repairing or servicing the cooktop. This can be done by disconnecting the fuse or circuit breaker. Failure to do this could result in a dangerous or fatal shock. Know where your main disconnect switch is located. If you do not know, have your electrician show you.

NOTE TO ELECTRICIAN: The power leads supplied with this appliance are UL recognized for connections to larger gauge household wiring. The insulation of these leads is rated at temperatures much higher than the temperature rating of household wiring. The current carrying capacity of a conductor is governed by the wire gauge and also the temperature rating of the insulation around the wire.

NOTE: ALUMINUM WIRING

⚠ WARNING INSTALLATIONS WITH ALUMINUM HOUSE WIRING REQUIRE ATTENTION:

A. Improper connection of Aluminum house wiring to appliance copper leads can result in an electrical hazard or fire. Use only connectors designed

- for joining copper to aluminum and follow the manufacturer's recommend procedure closely.
- B. Aluminum to Copper wiring connections must conform with the National Electrical code, local codes and industry-accepted wiring practices.**
- C. If an anti-oxidant compound is added to the wiring connectors, the compound should be UL-Listed and suitable for the application materials, voltage and temperature.**
- D. Connectors for joining Aluminum and Copper wiring may be larger in size than standard connectors. It is recommended to use a double-gang, or larger, electrical box to enclose the connectors joining Aluminum and Copper wiring.**

ELECTRICAL REQUIREMENTS

This appliance must be supplied with the proper voltage and frequency, and connected to an individual, properly grounded branch circuit, protected by a circuit breaker or a time delay fuse as noted on name plate and on the chart below.

KW Rating 240V	KW Rating 208V	Recommended Circuit Size (Dedicated)
≤4.8 KW	≤4.1 KW	20 Amp
4.9 KW–7.2 KW	4.2 KW–6.2 KW	30 Amp
7.3 KW–9.6 KW	6.3 KW–8.3 KW	40 Amp
9.7 KW–12.0 KW	8.4 KW–10.4 KW	50 Amp

We recommend you have the electrical wiring and hookup of your cooktop connected by a qualified electrician. After installation, have the electrician show you where your main cooktop disconnect is located.

Wiring must conform to National Electrical Code and all local electrical codes. You can get a copy of the National Electrical Code, ANSI/NFPA No. 70-Latest Edition, by writing to:

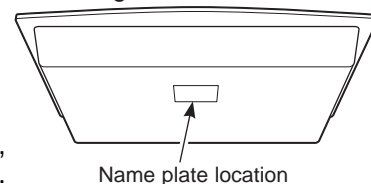
National Fire Protection Association
 Batterymarch Park
 Quincy, MA 02269

In Canada, wiring must conform to Canadian Electrical Code (CEC).

The cooktop conduit wiring is approved for copper wire connection only, and if you have aluminum house wiring, you must use special UL approved connectors for joining copper to aluminum. In Canada, you must use special CSA approved connectors for joining copper to aluminum. Installations with Aluminum House Wiring require attention. See Warning under **NOTES: ALUMINUM WIRING**, above. You must use a two-wire, three conductor 208/240 VAC, 60 Hertz electrical system. A white (neutral) wire is not needed for this unit. The cooktop must be installed in a circuit that does not exceed 125 VAC nominal to ground.

Refer to the name plate on your cooktop for the KW rating for your cooktop.

These cooktops require 40 amp service for 30" units, 50 amp service for 36" units.



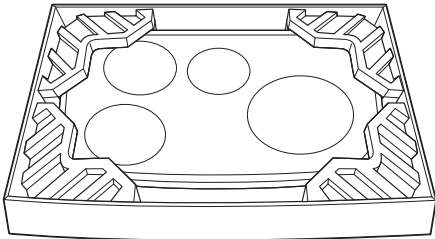
Installation Instructions

PRE-INSTALLATION CHECKLIST

BEFORE YOU BEGIN

▲WARNING The electrical power to the cooktop supply line must be shut off while connections are being made. Failure to do so could result in serious injury or death.

- A** When preparing the cooktop opening, make sure the inside of the cabinet and the cooktop do not interfere with each other. (See section on preparing the opening.)
- B** Remove packaging materials and literature package from the cooktop before beginning installation.



- C** Be sure to place all literature, Owner's Manual, Installations Instructions, etc. in a safe place for future reference.
- D** Make sure you have all the tools and materials you need before starting the installation of the cooktop.
- E** Your home must provide the adequate electrical service needed to safely and properly use your cooktop. (Refer to section on electrical requirements.)
- F** When installing your cooktop in your home, make sure all local codes and ordinances are followed exactly as stated.
- G** Make sure the wall coverings, countertop and cabinets around the cooktop can withstand heat (up to 200°F) generated by the cooktop.

- H** **Installing cooktop in combination with other products.** Both products must be installed according to their specific product installation instructions. Consideration must be given to the separate electrical requirements and locations:

Over one or two wall ovens:

- Only certain models may be installed over wall ovens. The wall oven and cooktop will both have a label stating which models are approved in combination.

Over a Microwave:

- See microwave installation instructions for how to install a microwave under a cooktop. For vertical dimension of cooktop, see Approximate Cooktop Dimensions section.

In combination with telescopic downdraft vent:

- See telescopic downdraft vent instructions for how to install a vent behind a cooktop.
- The countertop must have a deep flat surface to accommodate the combined installation of the cooktop and vent.
- Allow 12" clearance between the inlet air ports on the bottom of the unit.

Over a warming drawer:

- See warming drawer instructions for how to install a warming drawer under a cooktop. For vertical dimension of cooktop, see Approximate Cooktop Dimensions section.

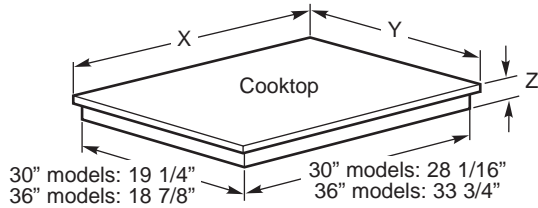
- I** **Monogram Flush Mount Kit**

- Only certain cooktop models can be flush mounted. These include ZHU30 and ZHU36. Please order kit number JXFLUSH1, which includes supplemental cut-out instructions to mount the product flush with the countertop.

Installation Instructions

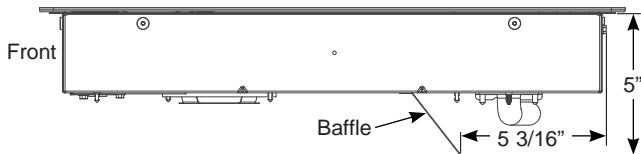
PREPARING THE OPENING

1 APPROXIMATE COOKTOP DIMENSIONS



Size	Models	X	Y	Z Front	Z Rear*
30"	PHP7030DTBB	29 3/4"	21"	3 1/4"	4 5/8"
	PHP9030DTBB				
	CHP90301TBB				
	ZHU30RTBB				
	ZHU30STSS				
30"	PHP9030STSS	29 7/8"	21"	3 1/4"	4 5/8"
	CHP90302TSS				
36"	PHP7036DTBB	36"	20 1/2"	3 1/4"	4 5/8"
	PHP9036DTBB				
	CHP90361TBB				
	ZHU36RTBB				
	ZHU36STSS				
36"	PHP9036STSS	36 1/8"	20 1/2"	3 1/4"	4 5/8"
	CHP90362TSS				

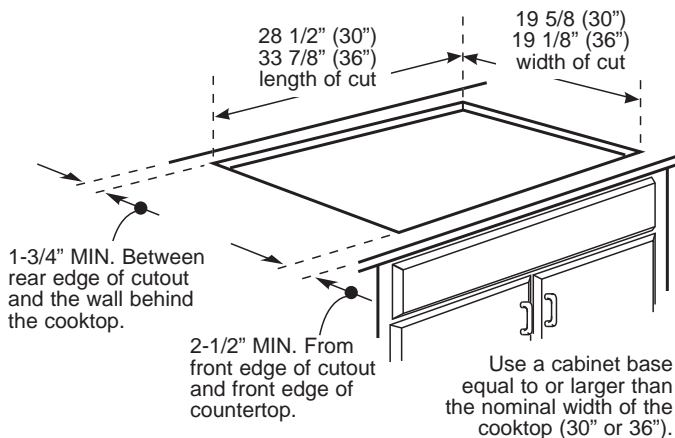
* Depth at rear of cooktop at conduit location.



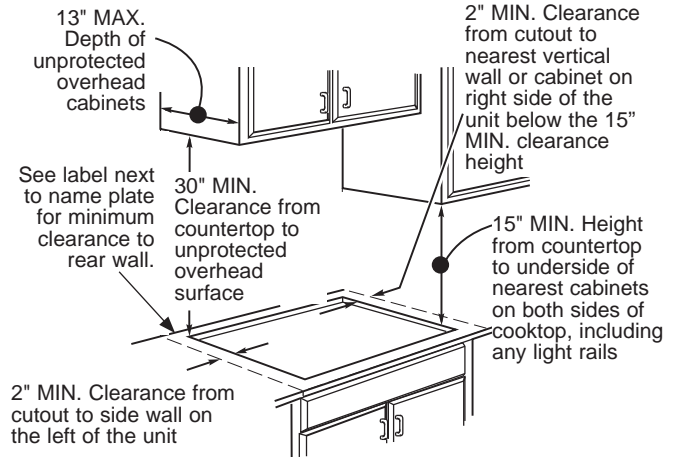
Baffle dimensions

2 CUTOUT DIMENSIONS OF THE COUNTERTOP

To ensure accuracy, it is best to make a template when cutting the opening in the counter.

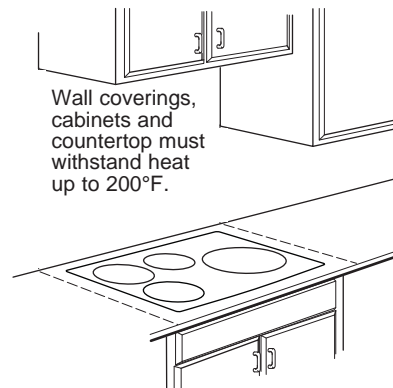


3 The following MINIMUM clearance dimensions must be maintained.



If a 30" clearance between the cooking surface and overhead combustible materials or metal cabinets cannot be maintained, a minimum clearance of 24" is required and the underside of the cabinets above the cooktop must be protected with not less than 1/4" insulating millboard covered with sheet metal not less than 30 gage (0.0125") thick. A ventilation hood may be installed above the cooktop. See the ventilation hood installation instructions for the appropriate dimensions and clearances.

4 Make sure the wall coverings, countertop and cabinets around the cooktop can withstand heat (up to 200°F) generated by the cooktop.

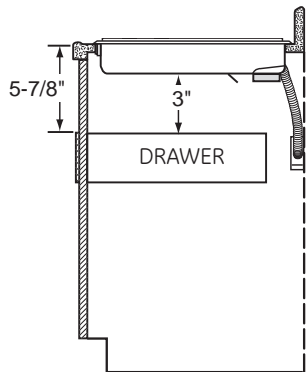


Installation Instructions

PREPARING THE OPENING (Cont)

5 VERTICAL CLEARANCES

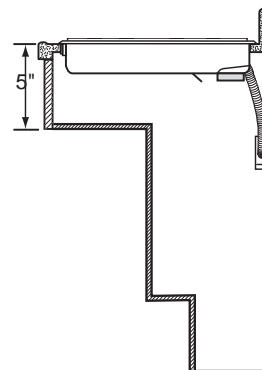
Allow 3" minimum vertical clearance for air space from the cooktop bottom (or 5-7/8" minimum depth from the countertop) to any combustible surfaces, such as the top of a cabinet drawer.



6 FOR AMERICANS WITH DISABILITIES ACT (ADA) FORWARD APPROACH INSTALLATION ONLY

Allow 5" minimum depth between the countertop and an enclosure.

NOTE: The enclosure must be made of at least 1/4" wood material. Also, an access panel is required for the junction box, hold-down brackets, and service.

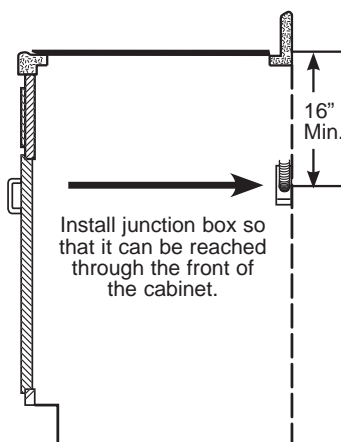


INSTALLING THE COOKTOP

1 INSTALLING THE JUNCTION BOX

Install an approved junction box where it will be easily reached through the front of the cabinet where the cooktop will be located. The cooktop conduit is 4 feet long.

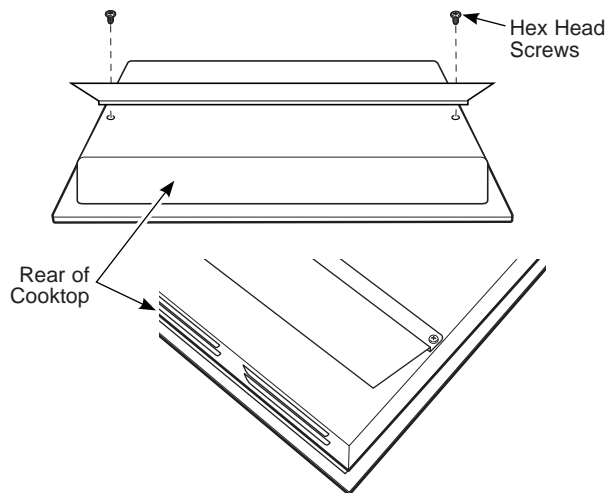
WARNING The junction box must be located where it will allow considerable slack in the conduit for serviceability.



3 INSTALL BAFFLE

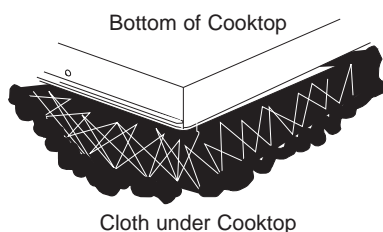
Secure the baffle to the cooktop with screws.

NOTE: Do not install the baffle when the cooktop is installed over a single oven.



2 PROTECT SURFACE OF COOKTOP

Place a towel or tablecloth onto the countertop. Lay the cooktop upside down onto the protected surface.

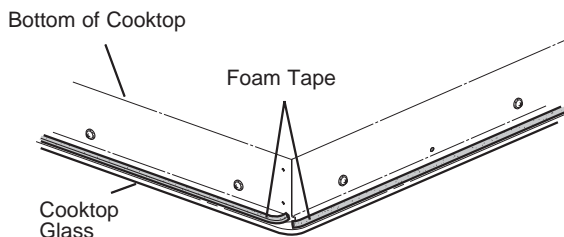


Installation Instructions

INSTALLING THE COOKTOP (Cont)

4 ATTACH FOAM TAPE

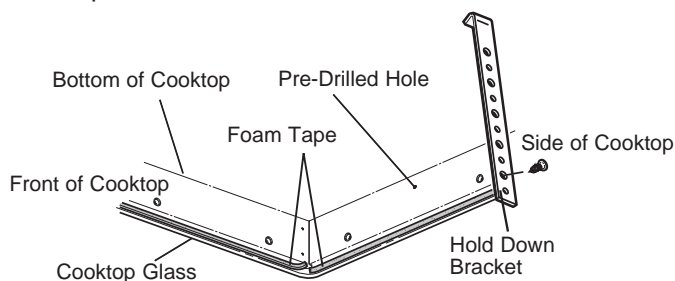
Apply the foam tape around the outer edge of the glass. **Do not overlap the foam tape.**



5 MOUNTING PARTS

Remove the hold down brackets and screws from the literature package.

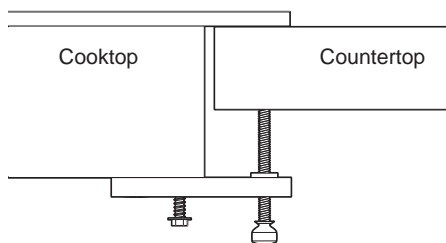
Screw the Hold Down Bracket to the side of the cooktop unit. Repeat for opposite side of cooktop.



Alternate Installation:

You can order an alternate installation kit WB01X24570 with wing nuts and brackets by calling GE Appliances at 800.GE.CARES (800.432.2737). See diagram for instructions.

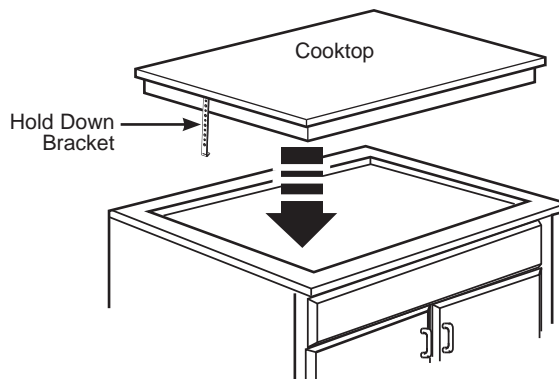
Open the cabinet door. Install the second screw through the bracket and tighten. Then tighten the first screw. Install thumbscrew until it touches the bottom of the countertop.



IMPORTANT: Turn the thumbscrew until it touches the bottom of the countertop. Do not overtighten.

6 INSERT COOKTOP INTO CUTOUT

Insert the cooktop centered into the cutout opening. Make sure the front edge of the countertop is parallel to the cooktop. Make final check that all required clearances are met.

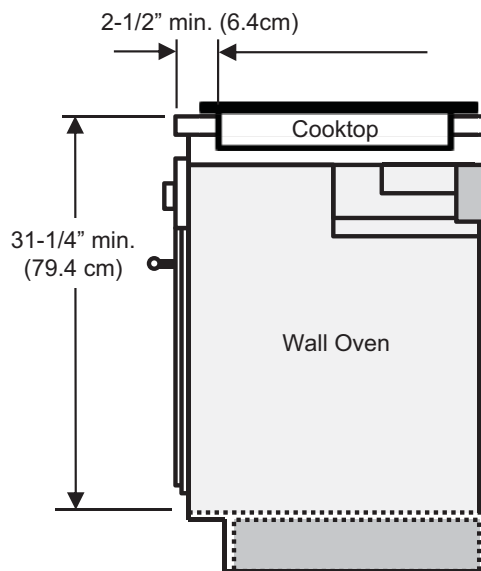


Attach Hold Down Brackets to cabinet.

NOTE FOR INSTALLING ABOVE A WALL OVEN:

When installing the cooktop above a single wall oven, do not install the baffle. The wall oven will need to be removed during the cooktop installation and then re-installed into its space.

IMPORTANT: Maintain a minimum distance of 31-1/4" from the top surface of the countertop to the wall oven platform to ensure that the cooktop and wall oven do not interfere with each other (see picture).



SIDE VIEW

Installation Instructions

ELECTRICAL CONNECTIONS

- A** When making the wire connections, use the entire length of conduit provided. **The conduit must not be shortened.**
- B** With the cooktop in place, open the front of the cabinet door.
- C** Insert the wires from the conduit through the opening of the junction box.

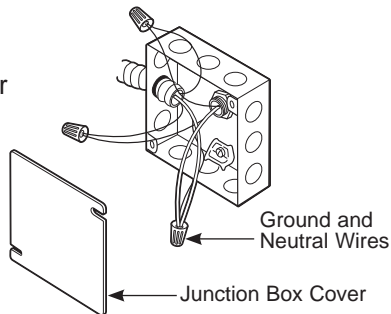
The conduit strain relief clamp must be securely attached to the junction box and the flexible conduit must be securely attached to the clamp.

⚠ WARNING Installations with Aluminum House Wiring require attention. See Warning under NOTES: ALUMINUM WIRING on page 2.

THREE-CONDUCTOR BRANCH CIRCUIT CONNECTION

When connecting to a three-conductor branch circuit, if local codes permit:

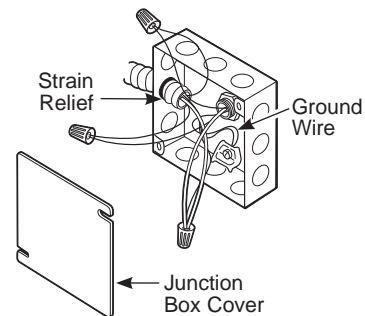
- D** Connect the cooktop green ground conductor lead to the branch circuit ground (green) using a wire nut.
- E** Connect the cooktop red lead to the branch circuit red lead in accordance with local codes, using a wire nut.
- F** Connect the cooktop black lead to the branch circuit black lead in accordance with local codes, using a wire nut. If the residence red, black or white leads are aluminum conductors, see WARNING.
- G** Install Junction Box Cover.



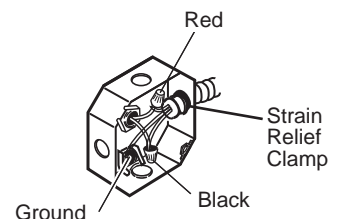
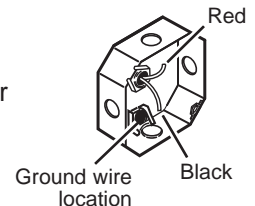
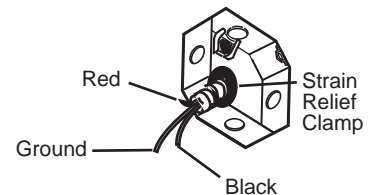
NEW CONSTRUCTION AND BRANCH CIRCUIT CONNECTION

- When installing in new construction, or
- When installing in a mobile home, or
- When installing in a recreational vehicle, or
- When local codes do not permit grounding through neutral:

- D** Attach the appliance grounding lead (green or bare copper) in accordance with local codes. If the residence grounding conductor is aluminum, see WARNING.



- E** Connect the red and black leads from the cooktop conduit to the corresponding leads in the junction box. Connect the ground wire.
- F** Once the connections are made, secure wires together using wire nuts.
- G** Install Junction Box Cover.



Installation Instructions

CHECKLISTS

1 PRE-TEST CHECKLIST

- A** Remove all protective film, if present, and any stickers.
- B** Check to be sure that all wiring is secure and not pinched or in contact with moving parts.
- C** Check level of appliance.
- D** Check that the cooktop is properly grounded.

2 OPERATION CHECKLIST

- A** Remove all items from the top of the cooktop surface.
- B** Turn on the power to the cooktop. (Refer to your Owner's Manual.) Verify that all surface burners operate properly.
- C** Check that the circuit breaker is not tripped nor the house fuse blown.
- D** Check that conduit is securely connected to the junction box.

Instructions d'installation

Table de cuisson électrique de 30 et 36 pouces – Induction

Exclut les modèles à aspiration descendante

Des questions? Appelez-nous au 1.800.432.2737 ou visitez le site GEAppliances.com. Au Canada, composez le 1.800.561.3344 ou visitez ElectromenagersGE.ca

AVANT DE COMMENCER

Lisez attentivement et entièrement ces instructions.

- **IMPORTANT** — Conservez ces instructions à l'usage de l'inspecteur local.
- **IMPORTANT** — Observez tous les codes et règlements en vigueur
- **Note à l'installateur** – Assurez-vous de laisser ces instructions au consommateur.
- **Note à l'installateur** – Assurez-vous de laisser ces instructions au consommateur.
- La garantie ne couvre pas les défauts du produit causés par une installation inadéquate.

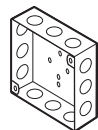
⚠ AVERTISSEMENT

- Cet appareil doit être mis à la terre correctement.

• **ATTENTION INSTALLATEUR**
TOUTES LES TABLES DE CUISSON DOIVENT ÊTRE CÂBLÉES (DIRECTEMENT CÂBLÉES) DANS UN BOÎTIER DE JONCTION APPROUVÉ. UN BRANCHEMENT PAR « FICHE ET PRISE » EST INTERDIT SUR CES PRODUITS.

- L'installation correcte est la responsabilité de l'installateur et la défaillance du produit due à une installation incorrecte n'est PAS couverte par la garantie.
- Jetez proprement le matériel d'emballage de l'appareil selon les options de recyclage à votre disposition.

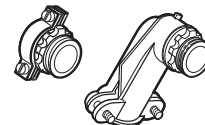
MATÉRIEL DONT VOUS AUREZ BESOIN



Boîte de jonction
(Dimensionné pour le conduit selon les codes électriques locaux.)



Capuchons de connexion



Connecteur à pression 90° ou droit pour conduit 1 po

OUTILS REQUIS



Crayon



Tournevis à pointe cruciforme



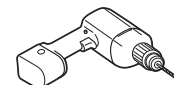
Tournevis à douille 1/4 po



Règle ou limande



Scie sauteuse

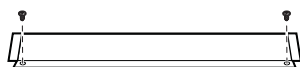


Foret 1/8 po et perceuse électrique ou manuelle



Lunettes de protection

PIÈCES INCLUSES



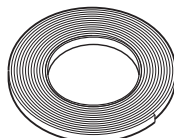
Déflecteur
(Pour toutes les installations, sauf au-dessus d'un four)



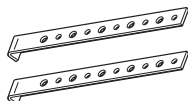
Deux (2) vis à tête hexagonale



4 vis
(WB01X1137)



Ruban mousse
WB06K5042



2 brides de retenue ou commander une autre trousse d'installation
WB01X24570

DÉCOUPAGE DU COMPTOIR

Si vous installez la table de cuisson dans un matériau de surface solide tel que le granite, le quartz ou toute autre surface solide naturelle ou synthétique, nous vous recommandons de faire préparer la découpe par un installateur professionnel d'armoires ou de comptoirs.

Les découpes de table de cuisson dans des comptoirs en bois ou en bois stratifié peuvent être préparées à l'aide d'une scie sauteuse et d'une perceuse électrique.

Instructions d'installation

CONSIGNES DE SÉCURITÉ IMPORTANTES

POUR VOTRE SÉCURITÉ

- Pour la sécurité des personnes, retirez le fusible de la maison ou ouvrez le disjoncteur avant de commencer l'installation. Le non-respect de cette consigne peut entraîner des blessures graves ou mortelles.
- Assurez-vous que votre table de cuisson est correctement installé par un installateur ou un technicien qualifiés.
- Afin d'éliminer le risque de brûlures ou d'incendie posé par la présence d'armoires au-dessus des éléments chauffants de surface, le rangement dans de telles armoires devrait être évité. Si ce rangement est nécessaire, le risque peut être réduit en installant une hotte qui se projette horizontalement à un minimum de 5 po (12,7) au-delà du bas des armoires. La profondeur maximale des armoires installées au-dessus de la table de cuisson ne doit pas dépasser 13 po (33 cm).
- Assurez-vous que les armoires et les revêtements muraux autour de la table de cuisson peuvent supporter les températures (jusqu'à 200 °F) générées par la table de cuisson.
- La table de cuisson devrait être facile à atteindre et éclairée à la lumière naturelle pendant la journée.
- Débranchez toujours l'alimentation électrique de la table de cuisson avant de réparer ou d'entretenir la table de cuisson. Pour ce faire, déconnectez le fusible ou le disjoncteur. Le non-respect de cette consigne pose un risque de décharge électrique grave ou mortelle. Sachez où se trouve le disjoncteur principal de la maison. Si vous l'ignorez, demandez à votre électricien de vous l'indiquer.

NOTE À L'ÉLECTRICIEN : Les câbles électriques fournis avec cet appareil sont homologués UL pour les connexions à des câbles domestiques de plus grand calibre. L'isolation de ces câbles est évaluée à des températures beaucoup plus élevées que la température nominale du câblage domestique. Le courant permanent admissible d'un conducteur est déterminé par le calibre de câble et la température nominale de l'isolant autour du câble.

REMARQUE : CÂBLAGE EN ALUMINIUM

⚠ AVERTISSEMENT LES INSTALLATIONS AVEC CÂBLAGE DOMESTIQUE EN ALUMINIUM NÉCESSITENT UNE ATTENTION PARTICULIÈRE :

A. Une mauvaise connexion du câblage domestique en aluminium aux fils de cuivre de l'appareil peut entraîner un risque de choc électrique ou d'incendie. Utilisez

uniquement des connecteurs conçus pour relier le cuivre à l'aluminium et suivez attentivement la procédure recommandée par le fabricant.

- B. Les connexions de câblage de l'aluminium au cuivre doivent être conformes au code national de l'électricité, aux codes locaux et aux pratiques de câblage reconnues par l'industrie.
- C. Si un composé anti-oxydant est ajouté aux connecteurs de câblage, le composé doit être homologué UL et adapté aux matériaux, à la tension et à la température de l'application.
- D. Les connecteurs pour joindre câblage en aluminium et câblage en cuivre peuvent être de plus grand calibre que les connecteurs standard. Il est recommandé d'utiliser un boîtier électrique double ou plus grand pour contenir les connecteurs qui joignent les câbles en aluminium et en cuivre.

EXIGENCES ÉLECTRIQUES

Cet appareil doit être alimenté avec la tension et la fréquence appropriées et connecté à un circuit de dérivation individuel correctement mis à la terre, protégé par un disjoncteur ou un fusible temporisé, comme indiqué sur la plaque signalétique et le tableau ci-dessous.

Puiss. nom. (kW) - 240 V	Puiss. nom. (kW) - 208 V	Calibre de circuit recommandé (dédié)
≤4.8KW	≤4.1 KW	20 ampères
4.9 KW - 7.2 KW	4.2 KW - 6.2 KW	30 ampères
7.3 KW - 9.6 KW	6.3 KW - 8.3 KW	40 ampères
9.7 KW - 12.0 KW	8.4 KW - 10.4 KW	50 ampères

Nous vous recommandons de faire appel à un électricien qualifié pour réaliser le câblage électrique et le branchement de votre table de cuisson. Après l'installation, demandez à l'électricien de vous montrer où se trouve le disjoncteur principal de votre table de cuisson.

Le câblage électrique doit être conforme au Code national de l'électricité. Vous pouvez obtenir un exemplaire du Code national de l'électricité américain, ANSI/NFPA No. 70, dernière édition, en écrivant à :

National Fire Protection Association
Batterymarch Park
Quincy, MA 02269

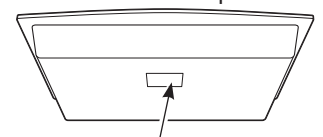
Au Canada, le câblage électrique doit être conforme au Code canadien de l'électricité.

Le câblage du conduit de la table de cuisson est approuvé pour la connexion de fils de cuivre uniquement; si vous disposez d'un câblage domestique en aluminium, vous devez utiliser des connecteurs homologués UL spéciaux pour relier le cuivre à l'aluminium. Au Canada, vous devez utiliser des connecteurs spéciaux homologués CSA pour relier le cuivre à l'aluminium. Les installations avec câblage domestique en aluminium nécessitent une attention particulière. Voyez l'avertissement sous **REMARQUE : CÂBLAGE EN ALUMINIUM, ci-dessus.**

Vous devez utiliser un système électrique à deux fils, trois conducteurs, 208/240 VCA, 60 Hertz. Un fil blanc (neutre) n'est nécessaire pour cet appareil. La table de cuisson doit être installée dans un circuit qui ne dépasse pas une tension nominale à la terre de 125 VCA.

Reportez-vous à la plaque signalétique de votre table de cuisson pour connaître la puissance nominale en kW de votre table de cuisson.

Ces tables de cuisson nécessitent un service de 40 ampères pour les modèles de 30 po et un service de 50 ampères pour les modèles de 36 po.



Emplacement de la plaque signalétique

Instructions d'installation

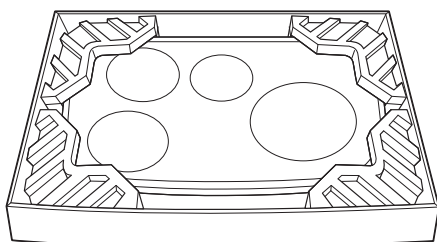
LISTE DE VÉRIFICATION AVANT L'INSTALLATION

▲ AVERTISSEMENT

L'alimentation électrique de la ligne d'alimentation de la table de cuisson doit être coupée pendant les branchements. Le non-respect de cette consigne peut entraîner des blessures graves ou mortelles.

A Lors de la préparation de l'ouverture de la table de cuisson, assurez-vous que l'intérieur de l'armoire et la table de cuisson ne se gênent pas. (Voyez la section sur la préparation de l'ouverture.)

B Retirez le matériel d'emballage et la documentation de la table de cuisson avant de commencer l'installation.



C Assurez-vous de placer toute la documentation (manuel d'utilisation, instructions d'installation, etc.) dans un endroit sûr pour référence ultérieure.

D Assurez-vous d'avoir tous les outils et matériaux dont vous avez besoin avant de commencer l'installation de la table de cuisson.

E Votre maison doit fournir le service électrique adéquat nécessaire pour utiliser correctement et en toute sécurité votre table de cuisson. (Reportez-vous à la section sur les exigences électriques.)

F Lors de l'installation de votre table de cuisson, assurez-vous que tous les codes et règlements locaux sont respectés exactement comme indiqué.

G Assurez-vous que les revêtements muraux, le comptoir et les armoires autour de la table de cuisson peuvent résister à la chaleur (jusqu'à 200 °F) générée par la table de cuisson.

H Installation d'une table de cuisson en combinaison avec un autre produit.

Les deux produits doivent être installés conformément à leurs instructions d'installation spécifiques. Les exigences et les emplacements électriques distincts doivent être pris en compte :

Au-dessus d'un ou de deux fours muraux :

- Seuls certains modèles peuvent être installés au-dessus de fours muraux. Le four mural et la table de cuisson sont tous deux dotés d'une étiquette indiquant les modèles approuvés en combinaison.

Au-dessus d'un micro-ondes :

- Voyez les instructions d'installation du micro-ondes pour savoir comment installer un micro-ondes sous une table de cuisson. Pour connaître les dimensions verticales de la table de cuisson, reportez-vous à la section Dimensions approximatives de la table de cuisson.

En combinaison avec l'évent télescopique à aspiration descendante :

- Voyez les instructions de l'évent télescopique à aspiration descendante pour l'installation d'un évent derrière une table de cuisson.
- Le comptoir doit avoir une surface plane et profonde pour accueillir l'installation combinée de la table de cuisson et de l'évent.
- Prévoyez un dégagement de 12 po entre les orifices d'admission d'air au bas de l'appareil.

Au-dessus d'un tiroir chauffe-plat :

- Voyez les instructions du tiroir chauffe-plat pour savoir comment installer un tiroir chauffe-plat sous une table de cuisson. Pour connaître les dimensions verticales de la table de cuisson, reportez-vous à la section Dimensions approximatives de la table de cuisson.

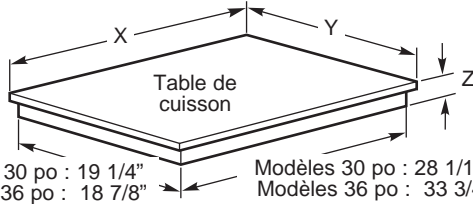
I Trousse de montage encastré Monogramme

- Seuls certains modèles peuvent être encastrés, y compris ZHU30 et ZHU36. Veuillez commander le numéro de trousse JXFLUSH1, lequel comprend des instructions de découpe supplémentaires pour monter le produit à égalité du comptoir.

Instructions d'installation

PRÉPARATION DE L'OUVERTURE

1 DIMENSIONS APPROXIMATIVES DE LA TABLE DE CUISSON

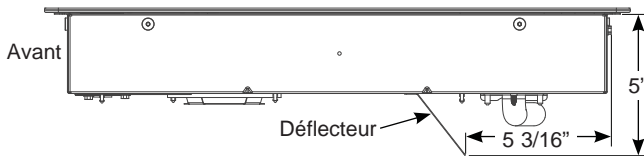


Modèles 30 po : 19 1/4"
Modèles 36 po : 18 7/8"

Modèles 30 po : 28 1/16"
Modèles 36 po : 33 3/4"

Taille	Modèles	X	Y	Z avant	Z arrière*	
30"	PHP7030DTBB PHP9030DTBB CHP90301TBB ZHU30RTBB ZHU30STSS	29 3/4"	21"	3 1/4"	4 5/8"	
	PHP9030STSS CHP90302TSS	29 7/8"	21"	3 1/4"	4 5/8"	
	36"	PHP7036DTBB PHP9036DTBB CHP90361TBB ZHU36RTBB ZHU36STSS	36"	20 1/2"	3 1/4"	4 5/8"
		PHP9036STSS CHP90362TSS	36 1/8"	20 1/2"	3 1/4"	4 5/8"

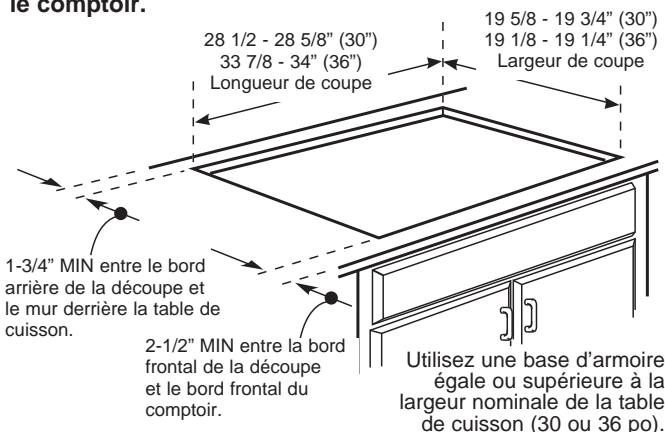
* Profondeur à l'arrière de la table de cuisson à l'emplacement du conduit.



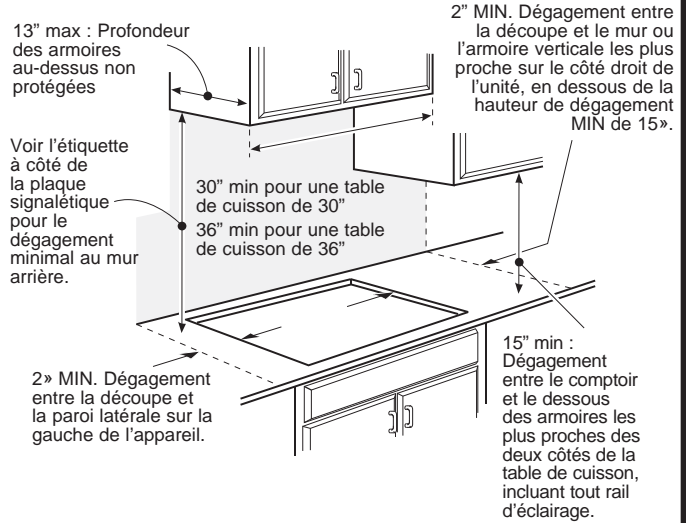
Dimensions du déflecteur

2 DIMENSIONS DE LA DÉCOUPE DU COMPTOIR

Pour garantir la précision, il peut être préférable de créer un gabarit lors de la découpe de l'ouverture dans le comptoir.

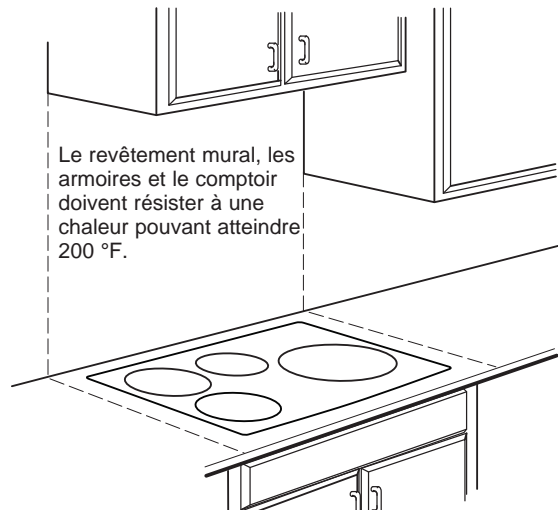


3 Les dimensions de dégagement minimal suivantes doivent être maintenues.



Si un dégagement de 30 po entre la table de cuisson et les matériaux combustibles ou l'armoire métallique au-dessus ne peut pas être maintenu, un dégagement minimum de 24 po est alors nécessaire et le dessous des armoires au-dessus de la table de cuisson doit être protégé avec un carton à l'enrouleuse isolant (insulating millboard) d'au moins 1/4 po d'épaisseur recouvert d'une tôle d'un calibre minimal de 30 (0,0125 po d'épaisseur). Une hotte peut être installée au-dessus de la table de cuisson. Voyez les instructions d'installation de la hotte pour les dimensions et les dégagements appropriés.

4 Assurez-vous que les revêtements muraux, le comptoir et les armoires autour de la table de cuisson peuvent résister à la chaleur (jusqu'à 200 °F) générée par la table de cuisson.

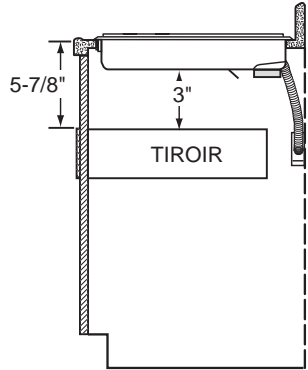


Instructions d'installation

PRÉPARATION DE L'OUVERTURE (suite)

5 DÉGAGEMENT VERTICAL

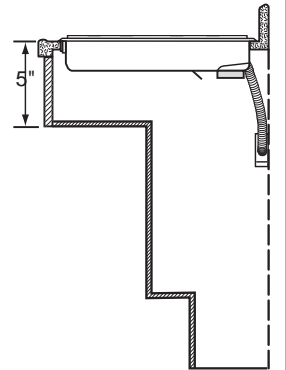
Laissez un dégagement vertical d'au moins 3 po entre le bas de la table de cuisson (ou une profondeur minimale de 5 7/8 po à partir du comptoir) et toute surface combustible, telle qu'un tiroir d'armoire.



6 INSTALLATION RAPPROCHÉE POUR LES PERSONNES HANDICAPÉES AUX ÉTATS-UNIS (AMERICANS WITH DISABILITIES ACT [ADA]) SEULEMENT

Prévoyez une profondeur minimale de 5 po entre le comptoir et l'enceinte.

REMARQUE : L'enceinte doit être construite en bois. Un panneau d'accès est également requis pour la boîte de jonction, les brides de retenue et l'entretien.



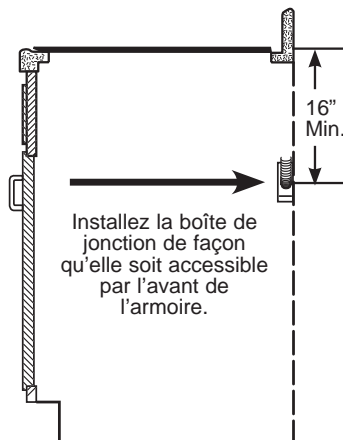
INSTALLATION DE LA TABLE DE CUISSON

1 INSTALLATION DE LA BOÎTE DE JONCTION

Installez une boîte de jonction approuvée à un endroit où elle sera facilement accessible par l'avant de l'armoire où se trouve la table de cuisson. Le conduit de la table de cuisson mesure 4 pieds (1,2 m) de long.

⚠ AVERTISSEMENT

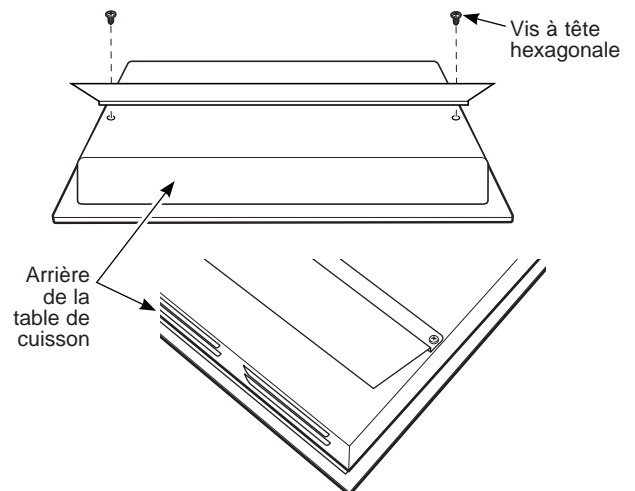
La boîte de jonction doit être située à un endroit où elle laisse beaucoup de jeu dans le conduit pour faciliter l'entretien.



3 INSTALLATION DU DÉFLECTEUR

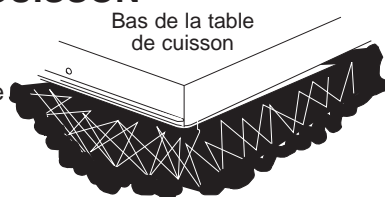
Fixez le déflecteur à la table de cuisson à l'aide de vis.

REMARQUE : N'installez pas le déflecteur lorsque la table de cuisson est installée au-dessus d'un seul four.



2 PROTECTION DE LA SURFACE DE LA TABLE DE CUISSON

Placez une serviette ou une nappe sur le comptoir. Posez la table de cuisson à l'envers sur la surface protégée.

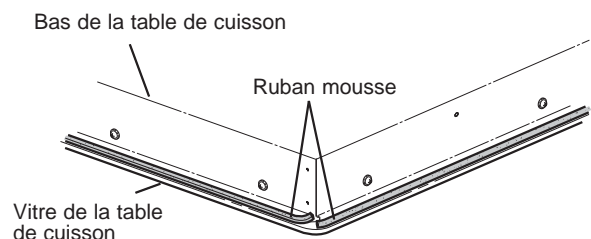


Instructions d'installation

INSTALLATION DE LA TABLE DE CUISSON

4 FIXATION DU RUBAN MOUSSE

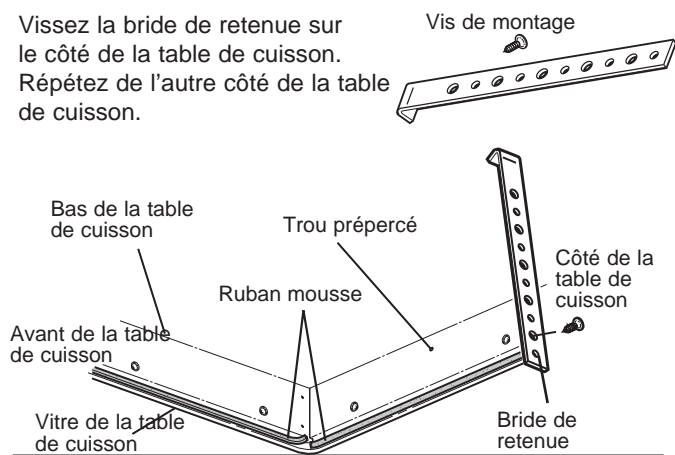
Appliquez le ruban mousse autour du bord extérieur de la vitre. **Ne chevauchez pas le ruban mousse.**



5 PIÈCES DE MONTAGE

Retirez les brides de retenue et les vis du sac de documentation.

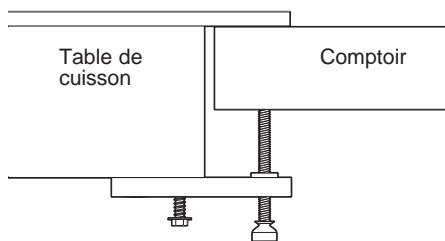
Vissez la bride de retenue sur le côté de la table de cuisson. Répétez de l'autre côté de la table de cuisson.



Autre méthode d'installation :

Vous pouvez commander l'autre trousse d'installation WB01X24570 avec écrous à oreilles et brides en appelant le 800.GE.CARES. Voyez le schéma pour les instructions.

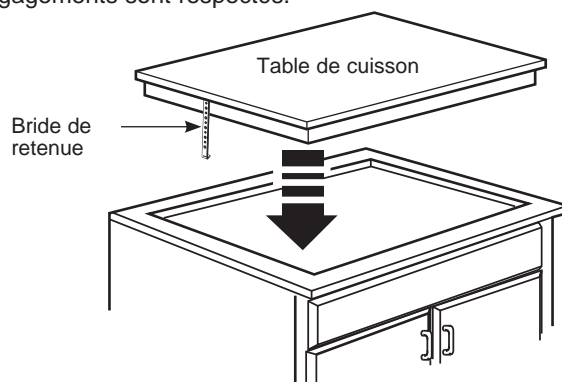
Ouvrez la porte de l'armoire. Installez la deuxième vis dans le support et serrez. Serrez ensuite la première vis. Installez la vis de serrage jusqu'à ce qu'elle touche le bas du comptoir.



IMPORTANT: Tournez la vis de serrage jusqu'à ce qu'elle touche le bas du comptoir. Ne serrez pas excessivement.

6 INSÉREZ LA TABLE DE CUISSON DANS LA DÉCOUPE

Insérez la table de cuisson en la centrant dans la découpe. Assurez-vous que la table de cuisson est parallèle au bord avant du comptoir. Vérifiez une dernière fois que tous les dégagements sont respectés.

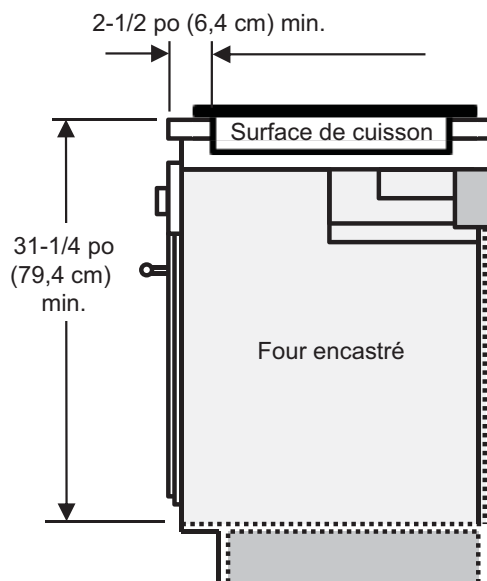


Fixez les brides de retenue sur l'armoire.

REMARQUE CONCERNANT L'INSTALLATION

AU-DESSUS D'UN FOUR MURAL : Lorsque vous installez la table de cuisson au-dessus d'un seul four mural, n'installez pas le déflecteur. Le four mural devra être retiré lors de l'installation de la table de cuisson, puis réinstallé dans son espace.

IMPORTANT : Maintenez une distance minimale de 31¼ po entre la surface supérieure du comptoir et la plateforme du four mural pour vous assurer que la table de cuisson et le four mural ne se gênent pas (voir l'image).



VUE LATÉRALE

Instructions d'installation

CONNEXIONS ÉLECTRIQUES

- A** Lorsque vous effectuez les connexions des fils, utilisez toute la longueur du conduit fourni. Le conduit ne doit pas être raccourci.
- B** Une fois la table de cuisson en place, ouvrez l'avant de la porte d'armoire.
- C** Insérez les fils du conduit dans l'ouverture de la boîte de jonction.

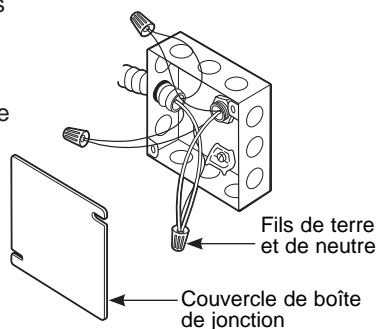
Le collier de serrage du conduit doit être solidement fixé à la boîte de jonction et le conduit flexible doit être solidement fixé au collier.

⚠ AVERTISSEMENT Les installations avec câblage domestique en aluminium nécessitent une attention particulière. Voyez l'avertissement sous REMARQUE : CÂBLAGE EN ALUMINIUM à la page 2.

CONNEXION DE CIRCUIT DE DÉRIVATION À TROIS CONDUCTEURS

Lors de la connexion à un circuit de dérivation à trois conducteurs, si les codes locaux le permettent :

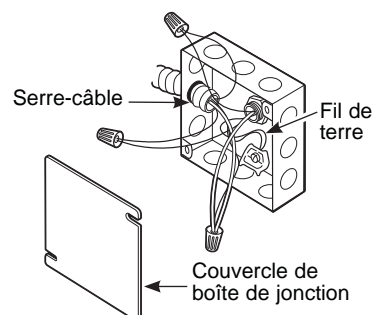
- D** Connectez le conducteur de terre vert de la table de cuisson à la terre du circuit de dérivation (vert) à l'aide d'un capuchon de connexion.
- E** Connectez le fil rouge de la table de cuisson au fil rouge du circuit de dérivation conformément aux codes locaux, à l'aide d'un capuchon de connexion.
- F** Connectez le fil noir de la table de cuisson au fil noir du circuit de dérivation conformément aux codes locaux, à l'aide d'un capuchon de connexion. Si les fils rouge, noir ou blanc du domicile sont des conducteurs en aluminium, voyez l'AVERTISSEMENT.
- G** Installez le couvercle de la boîte de jonction.



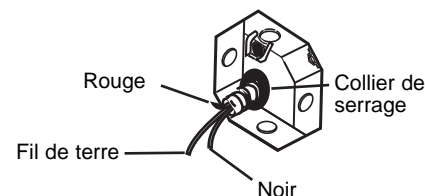
NOUVELLE CONSTRUCTION ET CONNEXION DU CIRCUIT DE DÉRIVATION

- Lors de l'installation dans une nouvelle construction, ou
- Lors de l'installation dans une maison mobile, ou
- Lors de l'installation dans un véhicule récréatif, ou
- Lorsque les codes locaux ne permettent pas la mise à la terre par le neutre :

- D** Fixez le fil de mise à la terre de l'appareil (vert ou cuivre nu) conformément aux codes locaux. Si le conducteur de mise à la terre du domicile est en aluminium, voyez l'AVERTISSEMENT.

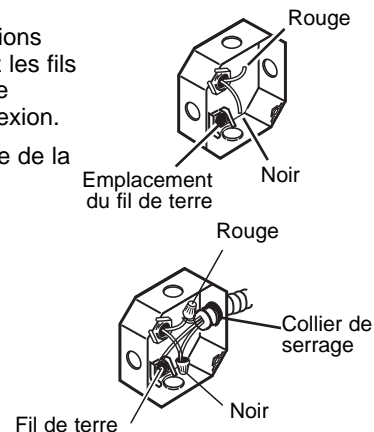


- E** Connectez les fils rouge et noir du conduit de la table de cuisson sur les fils correspondants dans la boîte de jonction. Connectez le fil de terre.



- F** Une fois les connexions effectuées, attachez les fils ensemble à l'aide de capuchons de connexion.

- G** Installez le couvercle de la boîte de jonction.



Instructions d'installation

LISTES DE VÉRIFICATION

1 LISTE DE VÉRIFICATION AVANT LE TEST

- A** Retirez tout la pellicule de protection, le cas échéant, ainsi que tous les autocollants.
- B** Vérifiez que tout le câblage est bien fixé et qu'il n'est pas pincé ou en contact avec des pièces mobiles.
- C** Vérifiez le niveau de l'appareil.
- D** Vérifiez que la table de cuisson est correctement mise à la terre.

2 LISTE DE VÉRIFICATION DU FONCTIONNEMENT

- A** Retirez tous les articles de la surface de la table de cuisson.
- B** Mettez la table de cuisson sous tension (reportez-vous à votre manuel d'utilisation). Vérifiez que tous les brûleurs de surface fonctionnent correctement.
- C** Vérifiez que le disjoncteur ne s'est pas déclenché ou que le fusible de la maison n'a pas grillé.
- D** Vérifiez que le conduit est solidement connecté à la boîte de jonction.

Instrucciones de instalación

Superficie de Cocción Eléctrica de 30 y 36" - Inducción

¿Preguntas? Comuníquese con nosotros al 1.800.432.273 o visita GEAppliances.com.
En Canadá, llame 1.800.561.3344 o visita GEAppliances.ca.

ANTES DE COMENZAR

Lea estas instrucciones por completo y con detenimiento.

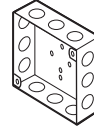
- **IMPORTANTE** — Guarde estas instrucciones para el uso de inspectores locales.
- **IMPORTANTE** — Cumpla con todos los códigos y ordenanzas vigentes.
- **Nota al instalador** – Asegúrese de dejar estas instrucciones con el consumidor.
- **Nota al consumidor** – Conserve estas instrucciones para referencia futura.
- La Garantía no cubre las fallas del producto debido a una instalación incorrecta.

⚠ ADVERTENCIA Este artefacto debe tener una correcta conexión a tierra.

• ATENCIÓN INSTALADOR

- TODAS LAS ESTUFAS DEBEN CONTAR CON CABLEADO DE CONEXIÓN PERMANENTE (CABLEADO DIRECTO) DENTRO DE UNA CAJA DE CONEXIONES APROBADA. EN ESTOS PRODUCTOS NO SE PERMITE LA CONEXIÓN DEL TIPO "ENCHUFE Y RECEPTÁCULO".
- La correcta instalación es responsabilidad del instalador y la garantía NO cubre las fallas del producto debido a una instalación incorrecta.
- Tenga en cuenta las opciones de reciclaje del material de embalaje de su electrodoméstico.

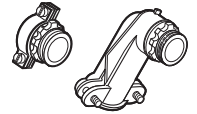
MATERIALES NECESARIOS



Caja de conexiones (con clasificación para tamaño de conductos según los códigos eléctricos locales).



Tuerca para cables



Conector de Presión a 90° o Recto para Conductos de 1"

HERRAMIENTAS QUE PUEDE NECESITAR



Lápiz



Destornillador Phillips



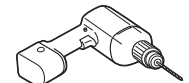
Llave de tuerca de 1/4"



Regla



Sierra sable

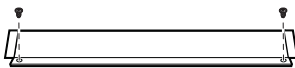


Broca de perforadora de 1/8" o perforadora de mano



Gafas de seguridad

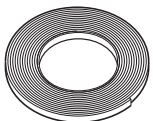
PIEZAS INCLUIDAS



Deflector (para todas las instalaciones salvo sobre un horno)



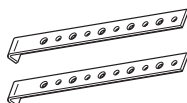
2 tornillos de cabeza hexagonal



Cinta de espuma WB06K5042



4 Tornillos Phillips WB01X1137



2 abrazaderas de montaje u ordene el kit de instalación alternativo WB01X24570

ABERTURA DE LA MESADA

Si instalará la superficie de cocción en un material de superficie sólida tal como granito, cuarzo o cualquier otra superficie sólida natural o sintética, we recomendamos que la abertura sea preparada por un instalador profesional de gabinetes o mesadas.

Las aberturas de las superficies de cocción de mesadas de madera o laminados de madera podrán ser preparadas usando una sierra de vaivén y un taladro eléctrico.

Instrucciones de instalación

INSTRUCCIONES DE SEGURIDAD IMPORTANTES

PARA SU SEGURIDAD

- Para seguridad personal, quite los fusibles o desconecte cortacircuitos antes de comenzar la instalación. No hacerlo puede provocar la muerte o una lesión personal grave.
- Verifique que un instalador o un técnico calificados instalen su estufa correctamente.
- A fin de eliminar el riesgo de quemaduras o incendios provocados por inclinarse sobre elementos de superficie calientes, debe evitarse la instalación de gabinetes sobre las unidades de superficie. Si se debe contar con un espacio de gabinetes, puede reducirse el riesgo mediante la instalación de una campana de cocina que sobresalga horizontalmente en 5" como mínimo por la parte inferior de los gabinetes. La instalación de gabinetes por encima de la estufa no debe superar una profundidad de 13".
- Verifique que los gabinetes y el revestimiento de las paredes ubicadas alrededor de la estufa puedan soportar las temperaturas (hasta 200°F) generadas por el anafe.
- La estufa debe tener un fácil acceso y debe contar con iluminación natural durante el día.
- Siempre desconecte el servicio eléctrico antes de reparar o arreglar la estufa. Esto puede realizarse desconectando los fusibles o el cortacircuitos. No hacerlo puede provocar una descarga peligrosa o fatal. Sepa donde se encuentra el interruptor de desconexión principal. Si no lo sabe, consulte a su electricista.

NOTA al electricista: Los alambres eléctricos proporcionados con este aparato son reconocidos por la UL para conexiones cableado residencial de mayor calibre. El aislante de estos alambres supera las especificaciones indicadas para cableado residencial. La capacidad actual de conducción del cable depende de la clasificación de la temperatura del aislamiento alrededor del alambre.

NOTA: CABLEADO DE ALUMINIO

⚠ ADVERTENCIA LAS INSTALACIONES CON CABLEADOS HOGAREÑOS DE ALUMINIO REQUIEREN ATENCIÓN:

A. UNA CONEXIÓN INAPROPIADA DEL CABLEADO DEL ALUMINIO RESIDENCIAL CON EL COBRE, PODRÍA RESULTAR EN PROBLEMAS SERIOS O EN INCENDIO.

Use sólo los conductores designados para unir el cobre con el aluminio y siga el procedimiento recomendado por el fabricante de forma cuidadosa.

B. Las conexiones de cables de Aluminio o Cobre se deberán realizar en conformidad con el Código Nacional de Electricidad, con los códigos locales y con las prácticas de cableado aceptadas en la industria.

C. Si se agrega un compuesto antioxidante a los conectores del cableado, dicho compuesto deberá pertenecer a la Lista de UL y deberá ser adecuado para los materiales, el voltaje la temperatura de aplicación.

D. Los conectores para unir cables de Aluminio y Cobre podrán poseer un tamaño más grande que los conectores estándar. Se recomienda el uso de una caja eléctrica con salida doble, o más grande, para anexar los conectores que unen los cableados de Aluminio y Cobre.

REQUERIMIENTOS ELÉCTRICOS

Este artefacto debe abastecerse con el voltaje y frecuencia adecuados y debe conectarse en un circuito derivado individual con correcta conexión a tierra, protegido por un cortacircuitos o fusible de tiempo retardado, como se señala en la placa de nombre y en el siguiente cuadro.

Clasificación de KW 240V	Clasificación de KW 208V	Tamaño de circuito recomendado (dedicado)
≤4,8 KW	≤4,1 KW	20 Amp
4,9 KW–7,2 KW	4,2 KW–6,2 KW	30 Amp
7,3 KW–9,6 KW	6,3 KW–8,3 KW	40 Amp
9,7 KW–12,0 KW	8,4 KW–10,4 KW	50 Amp

Recomendamos que un electricista calificado conecte el cableado eléctrico y efectúe las conexiones de su estufa anafe. Después de la instalación, solicite al electricista que le muestre donde se encuentra la desconexión principal de la estufa.

El cableado debe cumplir con el Código Eléctrico Nacional y con todos los códigos eléctricos locales. Usted puede obtener una copia del Código Eléctrico Nacional ANSI/NFPA No. 70 - última edición escribiendo a:

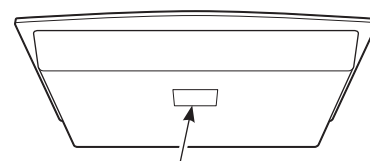
National Fire Protection Association
 Batterymarch Park
 Quincy, MA 02269

El cableado de la estufa está aprobado sólo para conexiones de cables de cobre, y si tiene cableados doméstico de aluminio, usted debe utilizar conectores aprobados por UL para unir cobre con aluminio.

Debe utilizarse un sistema eléctrico de 60 hercios, 208/240 VAC de tres conductores y dos hilos. No se necesita un cable blanco (neutral) para esta unidad. La placa de cocción deberá ser instalada en un circuito que no supere los 125 VAC nominales a tierra.

Consulte el rótulo sobre su estufa para conocer la clasificación en kilovatios de su estufa.

Estas mesadas requieren un servicio de 40 amperes para unidades de 30", y un servicio de 50 amperes para unidades de 36".



Ubicación de la placa de nombre

Instrucciones de instalación

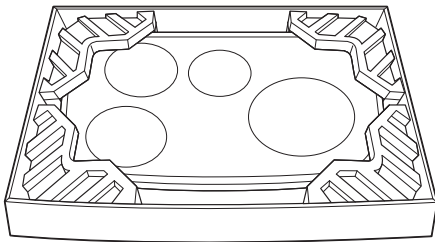
LISTA DE CONTROL PRE-INSTALACIÓN

ANTES DE COMENZAR

⚠ADVERTENCIA La energía eléctrica de la línea de abastecimiento de la estufa debe estar desconectada mientras se realizan las conexiones. No hacerlo puede provocar la muerte o una lesión personal grave.

A Cuando realice una abertura para la estufa, verifique que la parte interna del gabinete y la estufa no interfieran entre sí. (Ver sección sobre la preparación de la abertura).

B Quite los materiales de embalaje y el paquete con información sobre el producto de la estufa antes de comenzar la instalación.



C Asegúrese de colocar todo el material de información, el Manual de Usuario, las Instrucciones de instalación, etc. en un lugar seguro para referencia futura.

D Asegúrese de contar con todas las herramientas y materiales que necesita antes de comenzar la instalación de la estufa.

E Su hogar debe contar con el servicio eléctrico adecuado necesario para un uso seguro y adecuado de la estufa. (Ver la sección sobre requerimientos eléctricos).

F Cuando instale la estufa en su hogar, asegúrese que todos los códigos y ordenanzas se cumplan al pie de la letra.

G Verifique que el revestimiento de las paredes, la mesada y los gabinetes ubicados alrededor de la estufa puedan soportar el calor (hasta 200°F) generado por la estufa.

H **Instalación de la superficie de cocción en combinación con otros productos.** Ambos productos deben ser instalados de acuerdo con sus instrucciones de instalación específicas del producto. Se deben tener en consideración los requisitos y ubicaciones eléctricas específicas:

Sobre uno o dos hornos de pared:

- Sólo ciertos modelos pueden ser instalados sobre los hornos de pared. El horno de pared y la superficie de cocción tendrán ambos una etiqueta que indique cuáles modelos están aprobados para uso combinado.

Sobre el Microondas:

- Para instalar un microondas debajo de una superficie de cocción, consulte las instrucciones de instalación del horno microondas. Para conocer la dimensión vertical de la superficie de cocción, consulte la sección de Dimensiones Aproximadas de la Superficie de Cocción.

En combinación con la ventilación telescópica descendente:

- Para instalar una ventilación detrás de la superficie de cocción, consulte las instrucciones de la ventilación telescópica descendente.
- La mesada debe contar con una superficie profunda y plana para ubicar la instalación combinada de la superficie de cocción y la ventilación.
- Deje un espacio de 12" entre los puertos de entrada de aire en la parte inferior de la unidad.

Sobre un cajón para calentar:

- Para instalar un cajón para calentar debajo de una superficie de cocción, consulte las instrucciones de instalación del cajón para calentar. Para conocer la dimensión vertical de la superficie de cocción, consulte la sección de Dimensiones Aproximadas de la Superficie de Cocción

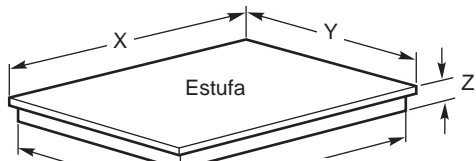
I Kit de Montaje al Ras de Monogram

- Sólo ciertos modelos de superficies de cocción se pueden montar a nivel. Estos incluyen el ZHU30 y ZHU36. Por favor, ordene el número de kit JXFLUSH1, que incluye instrucciones complementarias sobre aberturas para montar el producto de forma nivelada con la encimera.

Instrucciones de instalación

CÓMO PREPARAR LA ABERTURA

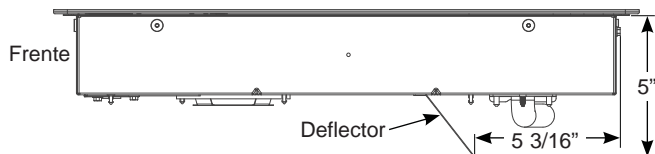
1 DIMENSIONES GENERALES DE LA SUPERFICIE DE COCCIÓN



30" modelos: 19 1/4" 30" modelos: 28 1/16"
36" modelos: 18 7/8" 36" modelos: 33 3/4"

Tamaño	Modelos	X	Y	Z Parte Trasera*	Z Frente
30"	PHP7030DTBB	29 3/4"	21"	3 1/4"	4 5/8"
	PHP9030DTBB				
	CHP90301TBB				
	ZHU30RTBB				
	ZHU30STSS				
PHP9030STSS	29 7/8"	21"	3 1/4"	4 5/8"	
CHP90302TSS					
36"	PHP7036DTBB	36"	20 1/2"	3 1/4"	4 5/8"
	PHP9036DTBB				
	CHP90361TBB				
	ZHU36RTBB				
	ZHU36STSS				
PHP9036STSS	36 1/8"	20 1/2"	3 1/4"	4 5/8"	
CHP90362TSS					

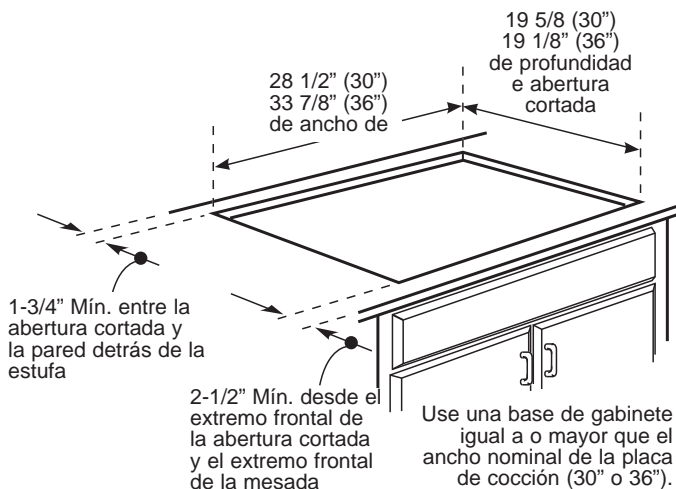
*Profundidad en la parte trasera de la superficie de cocción en la ubicación del conducto.



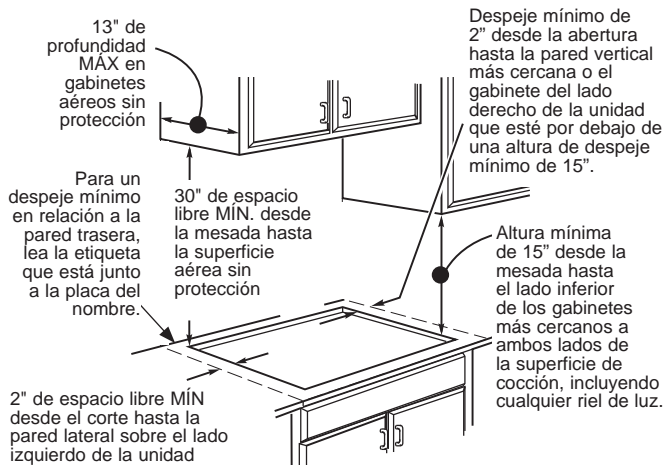
Dimensiones del deflector

2 DIMENSIONES DE LA ABERTURA DE LA MESADA

Para asegurar precisión, es mejor utilizar una plantilla cuando corte la abertura de la mesada.



3 Deben mantenerse las siguientes dimensiones MÍNIMAS de espacio libre.



Si no se puede mantener un espacio de 30" entre la superficie de cocción y el material combustible superior o gabinetes de metal, se requiere un espacio libre mínimo de 24", y el lado inferior de los gabinetes por encima de la estufa debe protegerse con cartón aislante no menor a 1/4" cubierto con planchas metálicas con un grosor no menor a 30 (0.0125"). Podrá ser instalada una campana de ventilación encima de la superficie de cocción. Para conocer las dimensiones y despejes adecuados, consulte las instrucciones de instalación de la campana de ventilación.

4 Verifique que el revestimiento de las paredes, la mesada y los gabinetes ubicados alrededor de la estufa puedan soportar el calor (hasta 200°F) generado por la estufa

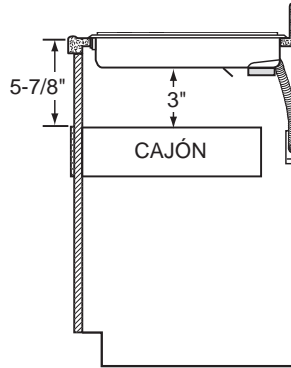


Instrucciones de instalación

CÓMO PREPARAR LA ABERTURA (Cont)

5 ESPACIOS LIBRES VERTICALES

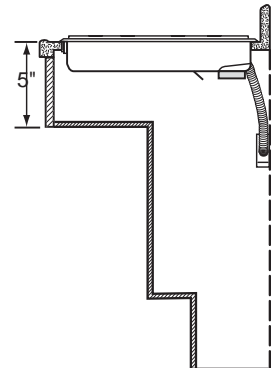
Deje un espacio vertical mínimo de 3" para que haya un espacio de aire desde la parte inferior de la superficie de cocción. (o una profundidad mínima de 5-7/8" desde la mesada) hasta cualquier superficie combustible, tal como la parte superior del cajón de un gabinete.



6 INSTALACIÓN POR DELANTE ÚNICAMENTE DE ACUERDO CON LA LEY DE ESTADOUNIDENSES CON INCAPACIDADES (ADA)

Deje un espacio vertical de por lo menos 5" entre la mesada y la cubierta.

NOTA: La cubierta deberá estar hecha de madera de 1/4". Además, se requiere un panel de acceso para la caja de conexiones, los soportes de los costados, y el servicio técnico.



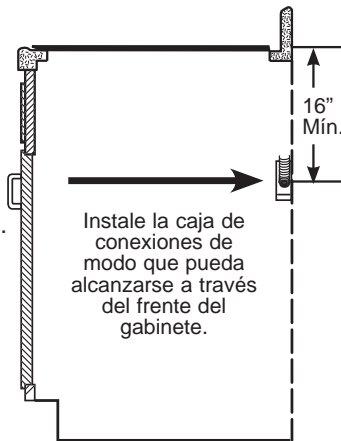
CÓMO INSTALAR EL ANAFE

1 INSTALACIÓN DE LA CAJA DE CONEXIONES

Instale una caja de conexiones aprobada en un lugar de fácil acceso a través del frente del gabinete en donde pueda colocarse la estufa. El conducto de la estufa tiene 4 pies de longitud.

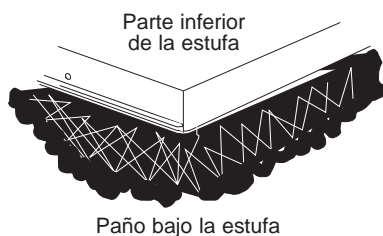
⚠ ADVERTENCIA

La caja de conexiones debe localizarse en donde el conducto esté lo suficientemente flojo para permitir que se le dé servicio.



2 PROTEJA LA SUPERFICIE DEL ANAFE

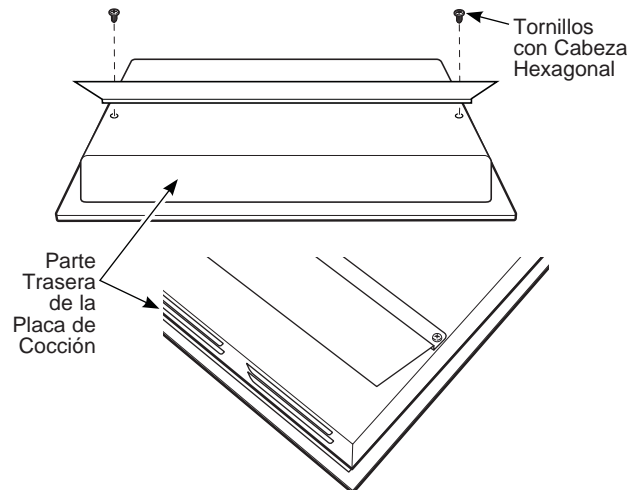
Coloque una toalla o mantel sobre la mesada. Apoye la placa de cocción al revés sobre la superficie protegida.



3 INSTALE EL DEFLECTOR

Sujete el deflector a la estufa con los tornillos.

NOTA: No instale el deflector cuando la estufa está instalado sobre un horno sencillo.



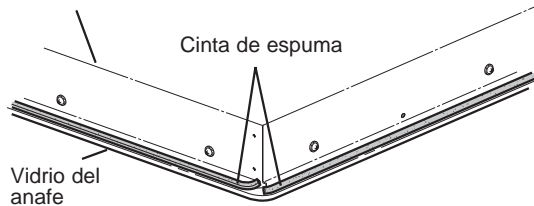
Instrucciones de instalación

CÓMO INSTALAR EL ANAFE (Cont)

4 COLOQUE CINTA DE ESPUMA

Aplique la cinta de espuma alrededor de los extremos exteriores del vidrio. **No superponga la cinta de espuma.**

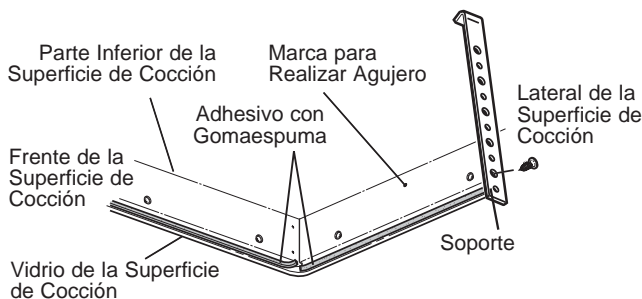
Parte inferior del anafe



5 PIEZAS MONTABLES

Saque las abrazaderas de montaje y tornillos del empaque con material impreso.

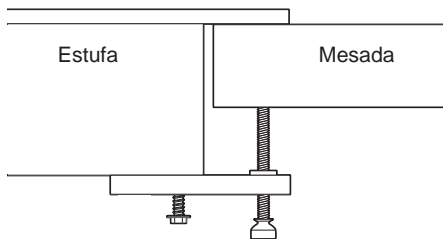
Atornille la abrazadera de montaje a un lado de la unidad de la estufa. Repita en el lado opuesto de la estufa.



Instalación Alternativa:

Usted puede ordenar un kit de instalación alternativa WB01X24570 con tuercas mariposa y soportes llamando a GE Appliances al 800.GE. CARES (800.432.2737). Para acceder a instrucciones, consulte el diagrama.

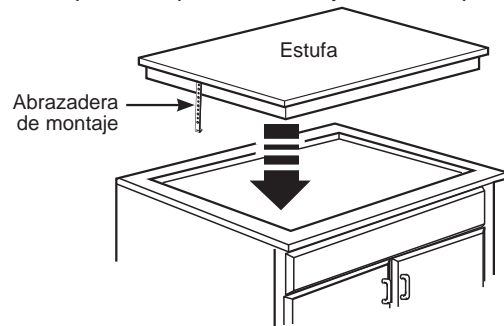
Abra la puerta del gabinete. Instale el segundo tornillo a través del soporte y ajuste. Luego ajuste el primer tornillo. Instale el tornillo de mariposa hasta que toque la parte inferior de la mesada.



IMPORTANTE: Gire el tornillo de mariposa hasta que toque la parte inferior de la mesada. No ajuste de más.

6 INSERTE LA SUPERFICIE DE COCCIÓN EN EL ENCASTRE

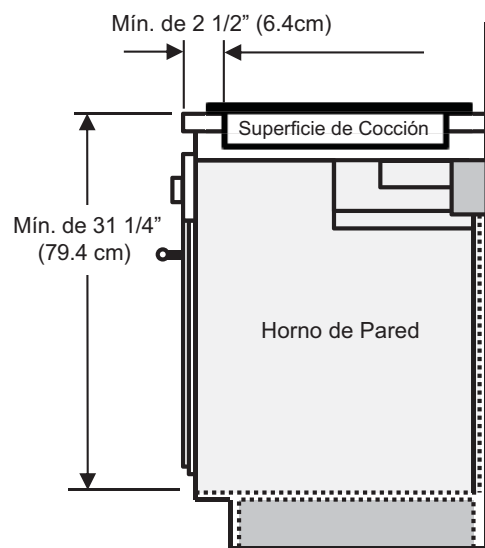
Inserte la estufa centrada en el área cortada. Asegúrese de que el borde frontal del mostrador esté paralelo con respecto a la estufa. Asegúrese de verificar al final que todos los espacios especificados hayan sido respetados.



Adhiera los Soportes al gabinete.

NOTA PARA LA INSTALACIÓN SOBRE UN HORNO DE PARED: Al instalar la superficie de cocción sobre un horno de pared simple, no instale el deflector. El horno de pared deberá ser retirado durante la instalación de la superficie de cocción e instalado nuevamente en su espacio.

IMPORTANTE: Mantenga una distancia mínima de 31 1/4" desde la superficie superior de la mesada hasta la plataforma del horno de pared, a fin de asegurar que la superficie de cocción y el horno de pared no interfieran uno con el otro (vea la figura).



VISTA LATERAL

Instrucciones de instalación

CONEXIONES ELÉCTRICAS

- A** Cuando realice las conexiones de cables, utilice toda la extensión del conducto incluido. **El conducto no debe reducirse.**
- B** Con la estufa colocada en su lugar, abra el frente de la puerta del gabinete.
- C** Inserte los cables del conducto a través de la abertura de la caja de conexiones.

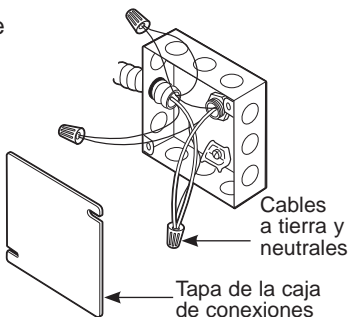
La abrazadera del alivio de tensión del conducto debe estar bien sujeta a la caja de conexiones y el conducto flexible debe estar bien sujeto a la abrazadera.

⚠ ADVERTENCIA Las instalaciones con Cableados Hogareños de Aluminio requieren atención: Consulte la Advertencia que se encuentra en NOTAS: CABLEADO DE ALUMINIO en la página 2.

CONEXIÓN DE CIRCUITO DERIVADO DE TRES CONDUCTORES

Cuando conecte un circuito derivado de tres conductores, si lo permiten los códigos locales:

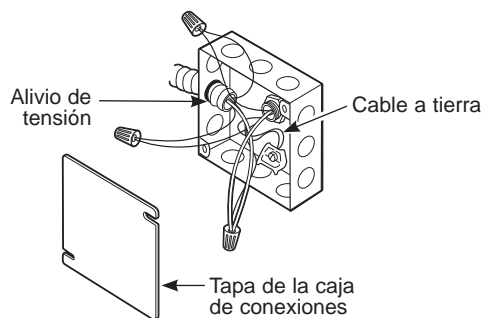
- D** Conecte el cable verde de conductor a tierra de la estufa con la conexión a tierra del circuito derivado (verde) utilizando un tapón de alambre.
- E** Conecte el cable rojo del anafe con el cable rojo de circuito derivado de acuerdo con códigos locales, utilizando un tapón de alambre.
- F** Conecte el cable negro del anafe con el cable negro de circuito derivado de acuerdo con códigos locales, utilizando un tapón de alambre. Si los cables rojos, negros o blancos son conductores de aluminio, ver ADVERTENCIA.
- G** Instale la tapa de la caja de conexiones.



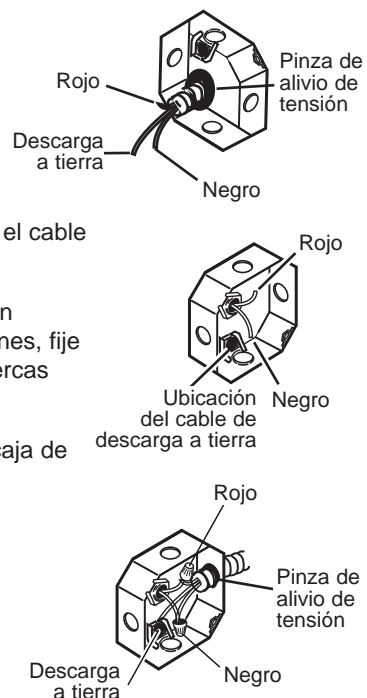
CONEXIÓN DE CONSTRUCCIÓN NUEVA Y DE CIRCUITO DERIVADO

- Cuando realice una instalación en una construcción nueva, o
- Cuando realice una instalación en una casa rodante, o
- Cuando realice una instalación en un vehículo recreativo, o
- Cuando los códigos locales no permiten la conexión a tierra a través de un cable neutral:

- D** Conecte el cable a tierra del artefacto (verde o cobre) de acuerdo con los códigos locales. Si el conductor a tierra de la residencia es de aluminio, ver ADVERTENCIA.



- E** Conecte los cables rojo y negro del conductor de la estufa a los cables correspondientes en la caja de conexiones. Conecte el cable a tierra.
- F** Una vez que se hayan realizado las conexiones, fije los cables con las tuercas para cables.
- G** Instale la tapa de la caja de conexiones.



Instrucciones de instalación

LISTAS DE CONTROL

1 LISTA DE CONTROL PREVIA A LA PRUEBA

- A** Quite toda la película protectora, si la hubiera, y todos los autoadhesivos.
- B** Verifique que todo el cableado esté seguro y que no haya sufrido pellizcos o esté en contacto con partes en movimiento.
- C** Controle el nivel del artefacto.
- D** Asegúrese que la estufa tenga una conexión a tierra adecuada.

2 LISTA DE CONTROL DE FUNCIONAMIENTO

- A** Retire todos los objetos que se encuentren sobre la superficie de la estufa.
- B** Encienda la toma de corriente de la estufa. (Consulte su Manual del propietario). Verifique que todas las hornillas de la superficie funcionen correctamente.
- C** Verifique que el cortacircuitos no esté desactivado o que se haya fundido el fusible de su hogar.
- D** Verifique que el conducto esté conectado correctamente a la caja de conexiones.