

MONOGRAM 30" SMART FLUSH HEARTH OVEN

ZEP30FRSS



HANDCRAFTED LUXURY

Can be found in every aspect of the design, from the brushed stainless exterior to the simple touch controls

FLUSH INSTALLATION

Offers a look of seamless perfection that installs flush with surrounding cabinetry

BRICK OVEN PERFORMANCE

Each electric hearth oven is handcrafted to capture the performance of a wood-fired brick oven and perfectly prepare Neapolitan-style pizzas, soft artisanal bread or a whole roasted branzino

ELECTRIC HEATING ZONES

Combine the crisping performance of traditional coal- and wood-burning hearth ovens with the precision and ease of a luxury appliance

CAPACITIVE TOUCH LCD CONTROLS

Allow for easy selection of preset cooking options

BUILT-IN INSTALLATION

Is made possible with a 30"-width cabinet cutout

INTEGRATED OVEN VENTILATION SYSTEM

Allows for simple installation, with no additional ductwork required

This hearth oven is intended for indoor installation only



SPECIFICATIONS

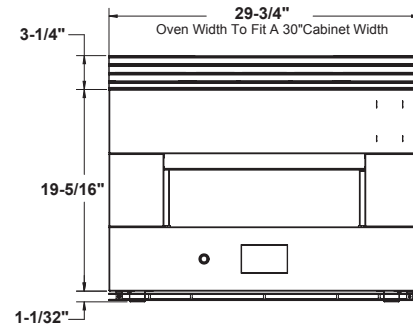
Overall Width	29-3/4" (75.6 cm)
Overall Height (Includes Trim)	23-9/16" (59.8 cm)
Overall Depth	24-1/2" (62.2 cm)
Overall Oven Interior Capacity	1 cu. ft.
Oven Interior Dimensions (W x D x H)	19.25" x 16" x 5.5" (48.9 x 40.64 x 13.97 cm)
Min Cabinet Width (Flush Install)	31" (78.74 cm)
Min Cabinet Depth (Flush Install)	25-7/16" (64.6 cm)*
Min Base Support	200 lbs. (90 kg)
Cutout Width (Flush Install)	30" (76.2 cm)
Cutout Height (Flush Install)	23-11/16" (60.2 cm)
Cutout Depth (Flush Install)	24-15/16" (63.3 cm)
Min. Cabinet Width (Standard Install)	29-1/2" (74.93 cm)*
Min Cabinet Depth (Standard Install)	24" (60.96 cm)*
Min Base Support	200 lbs. (90 kg)
Cutout Width (Standard Install)	28-1/2" (72.39 cm)
Cutout Height (Standard Install)	22-9/16" (57.3 cm)
Cutout Depth (Standard Install)	23-1/2" (59.69 cm)
Volts/Hertz/Amps	240/208 V AC, 60 Hz, 50A
Conduit Length	43" (109.22 cm)
Electrical Rating	10.4 kW at 208V 12.0 kW at 240V
Shipping Weight	266 lbs. (120.6 kg)

This hearth oven is intended for indoor installation only.
 * Assuming 1/2" (1.27 cm) thick cabinet walls

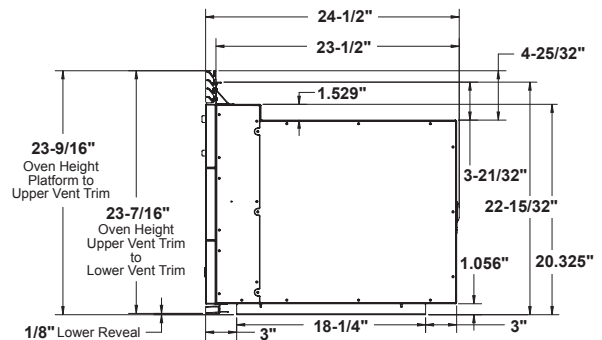
ATTENTION ELECTRICIAN:

A 240/208V, 60Hz, 50 Amp circuit is required. An individual properly grounded branch circuit or circuit breaker is required. Hardware junction box is required for built-in product.

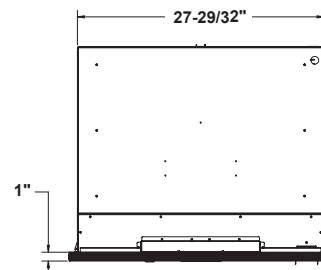
OVERALL DIMENSIONS



FRONT VIEW



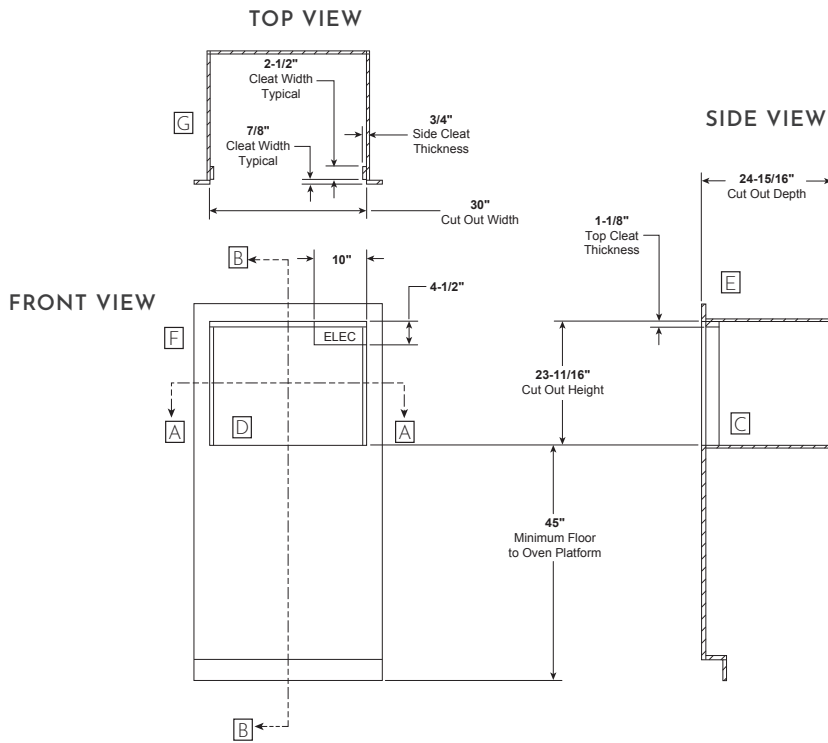
SIDE VIEW



TOP VIEW

Dimensions in parentheses are in centimeters unless otherwise noted. Actual product dimensions may vary due to manufacturing tolerances.

CUTOUT FOR FLUSH MOUNT INSTALLATION – TRIM KIT REQUIRED



HELPFUL TIPS

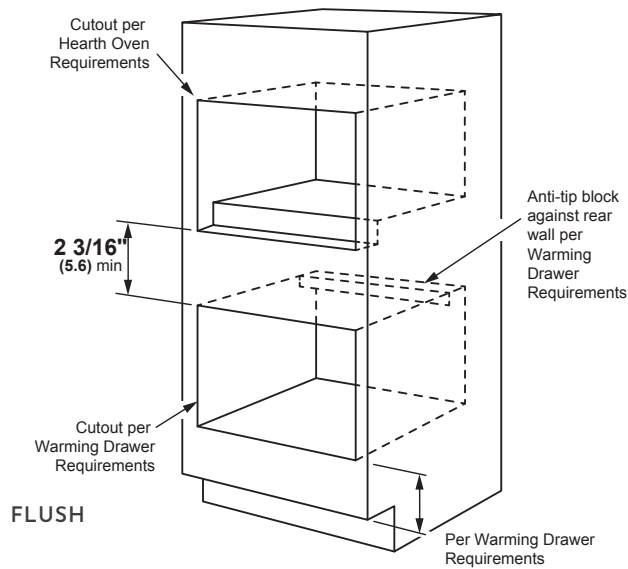
- A** 45" is the required minimum installation height. Oven may be installed higher based on owner preference.
- B** Extended depth cabinet is required. Drywall is acceptable as back enclosure.
- C** Platform must be able to support 200 lbs (90 kg)
- D** Solid enclosure required on the top, bottom, left and right sides and back of oven.
- E** Junction box location (May also be located in adjacent cabinet)
- F** Standard depth cabinet requires modification of interior wall.
- G** 1" overlap required top and bottom to allow for fastening trims to cabinet. This can be achieved with blocking which is secured to the cabinet.

This hearth oven is intended for indoor installation only.

For more details, refer to the installation instructions for this product on Monogram.com. Dimensions in parentheses are in centimeters unless otherwise noted.

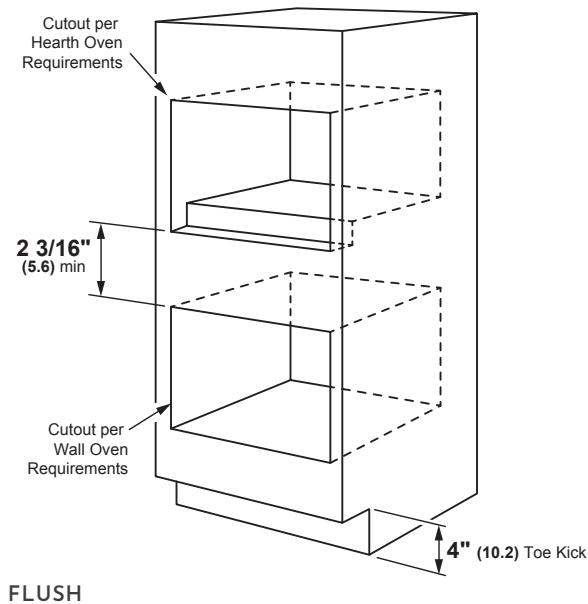
INSTALLATION OVER A WARMING DRAWER

NOTE: Refer to label for approved models that can be installed below the oven



INSTALLATION WALL OVEN

NOTE: Refer to label for approved models that can be installed below the oven



For more details, refer to the installation instructions for this product on Monogram.com. Dimensions in parentheses are in centimeters unless otherwise noted.