



INSTALLATION INSTRUCTIONS

with Design Guide

Wine Chiller, Wine Reserve and Beverage Center

Safety Information


BEFORE YOU BEGIN

Read these instructions completely and carefully.

- **IMPORTANT** – Save these instructions for local inspector's use. Observe all governing codes and ordinances.
- **Note to Installer** – Be sure to leave these instructions with the Consumer.
- **Note to Consumer** – Keep these instructions with your Owner's Manual for future reference.

If you received a damaged refrigerator, you should immediately contact your dealer or builder.

Skill Level – Installation of this refrigerator requires basic mechanical, carpentry and plumbing skills. Proper installation is the responsibility of the installer. Product failure due to improper installation is not covered under the GE Appliance Warranty. See the Owner's Manual for warranty information.

⚠ WARNING  **Explosion Hazard.** Keep flammable materials and vapors away from refrigerator. Failure to do so can result in fire, explosion, or death.

⚠ WARNING To reduce the risk associated with choking, do not allow children under 3 years of age to have access to small parts during the installation of this product.

For Monogram local service in your area, call 800.444.1845 or visit monogram.com.

For Monogram service in Canada, call 888.880.3030

For Monogram Parts and Accessories, call 800.444.1845 or visit monogram.com.

For Monogram Parts and Accessories in Canada, call 888.880.3030 or visit monogram.ca.

CONNECTING ELECTRICITY

⚠ WARNING  **Electrical Shock Hazard.**

Plug into a grounded 3-prong outlet.

Do not remove the ground prong.

Do not use an adapter.

Do not use an extension cord.

Failure to follow these instructions can result in death, fire, or electrical shock.

Do not, under any circumstances, cut or remove the third (ground) prong from the power cord.

For personal safety, this appliance must be properly grounded.

The power cord of this appliance is equipped with a 3-prong (grounding) plug which mates with a standard 3-prong (grounding) wall outlet to minimize the possibility of electric shock hazard from this appliance.

Have the wall outlet and circuit checked by a qualified electrician to make sure the outlet is properly grounded.

Where a standard 2-prong wall outlet is encountered, it is your personal responsibility and obligation to have it replaced with a properly grounded 3-prong wall outlet. Do not use an adapter.

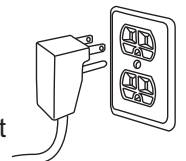
The refrigerator should always be plugged into its own individual electrical outlet which has a voltage rating that matches the rating plate.

A 115 Volt AC, 60 Hz, 15- or 20-amp fused, grounded electrical supply is required. This provides the best performance and also prevents overloading house wiring circuits which could cause a fire hazard from overheated wires.

Never unplug your refrigerator by pulling on the power cord. Always grip plug firmly and pull straight out from the outlet.

Immediately discontinue use of a damaged supply cord. If the supply cord is damaged it must be replaced by a qualified service professional with an authorized service part from the manufacturer.

When moving the refrigerator away from the wall, be careful not to roll over or damage the power cord.



Consignes de Sécurité

⚠ AVERTISSEMENT **Risque d'explosion.**

Conservez les matériaux et vapeurs inflammables de votre réfrigérateur. Le non-respect de cette instruction peut entraîner un risque d'incendie, d'explosion ou de décès.

⚠ AVERTISSEMENT Pour réduire le risque d'étouffement pendant l'installation de ce produit, ne pas laisser les petites pièces à la portée des enfants âgés de moins de 3 ans.

BRANCHEMENTS ÉLECTRIQUES

⚠ AVERTISSEMENT **Risque d'électrocution.**

Branchez l'appareil dans une prise à 3 broches mise à la terre.

N'enlevez pas la broche de mise à la terre.

N'utilisez pas un adaptateur.

N'utilisez pas un cordon de rallonge.

Le non-respect de ces instructions peut entraîner des risques d'incendies, des chocs électriques ou la mort.

Ne coupez pas ou n'enlevez pas, sous aucun prétexte, la troisième broche de mise à la terre du cordon d'alimentation. Pour des raisons de sécurité, cet appareil doit être correctement mis à la terre.

Le cordon d'alimentation de cet appareil est équipé d'une fiche à trois broches (pour une mise à la terre) qui s'adapte à la prise de courant standard à 3 broches (pour une mise à la terre) pour minimiser les risques de chocs électriques par cet appareil.

Faites vérifier la prise murale et le circuit électrique par un électricien qualifié pour s'assurer que le système est correctement mis à la terre.

Dans le cas d'une prise biphasée, l'installateur a la responsabilité et l'obligation de la remplacer par une prise triphasée correctement mise à la terre. N'utilisez pas d'adaptateur.

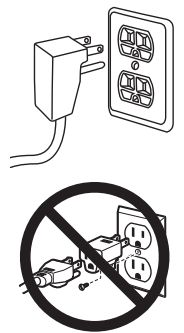
Le réfrigérateur doit toujours être branché à sa propre prise électrique d'une tension nominale correspondant à celle indiquée sur sa plaque signalétique.

Une alimentation électrique à 115 volts CA, 60 Hz, avec un fusible de 15 ou 20 ampères et une mise à la terre est nécessaire. Ceci permet d'obtenir un meilleur rendement et évite de surcharger les circuits électriques du domicile qui risque d'occasionner un incendie en surchauffant.

Ne débranchez jamais le réfrigérateur en tirant sur le cordon d'alimentation. Prenez toujours fermement la fiche en main et tirez pour la sortir de la prise.

Cessez immédiatement l'utilisation d'un cordon électrique endommagé. Si le cordon électrique est endommagé, son remplacement doit être exécuté par un technicien en réparation qualifié au moyen d'un cordon de rechange autorisé par le fabricant.

Lorsque vous éloignez votre réfrigérateur du mur, faites attention à ne pas le faire rouler sur le cordon d'alimentation afin de ne pas l'endommager.



Design Guide

CONTENTS

Important Information	2
Parts Required.....	4
Tools/Hardware Required	4
Staining Wood Panel Fronts	4
Caring for Your Stainless Steel	4
Product Location.....	4
Installation Options	5
Design Guide (ZDWI240, ZDWR240, ZDBI240, ZDBR240)	
The Installation Space	6
The Installation Space Standard Installation	7
The Installation Space Flush Inset Installation	7
Product Clearances	8
Installation Instructions	
Step 1, Remove Packaging and Installation Parts	9
Step 2, Reversing the Door	9
Step 3, Install Custom 3/4" Door Panel and Handle	12
Step 4, Level.....	13
Step 6, Connect Power.....	14
Step 7, Slide Product into Cutout	14
Step 8, Set Temperature Controls.....	18

ZDWI240 AND ZDBI240 MODELS ONLY

PARTS REQUIRED

- Custom handle
- Assembled overlay panel
- Screws

PARTS SUPPLIED

- Handle side trim

For all MODELS ZDWI240, ZDWR240, ZDBI240, ZDBR240

PARTS SUPPLIED

Black or Stainless Steel Toekick

- These products are shipped with a stainless steel toekick and a black toekick. For shipping purposes, one of the toe kicks will be secured to the back of the unit, and the second will be installed on the unit. Keep the unused toekick and any unused parts for future use.

TOOLS/HARDWARE REQUIRED

- Adjustable wrench
- Carpenter's glue (ZDWI240 and ZDBI240 models only)
- Screwdriver

WARNING **CUT HAZARD**

Cabinet edges along stamp/cut-out areas may be sharp. Avoid placing hands, fingers, or other appendages near these areas. Failure to do so can result in cuts.

AVERTISSEMENT **Risque de coupure**

Les bords de la caisse et les zones comportant un code d'identification ou des découpes peuvent être tranchants. Garder les mains, les doigts ou autres appendices éloignés de ces zones. Le non-respect de cette instruction peut causer des coupures.

REFRIGERATOR LOCATION

- Do not install the refrigerator where the temperature will go below 55°F (12.7°C) because it will not run often enough to maintain proper temperatures.
- Do not install the refrigerator where the temperature will go above 100°F (37°C) because it will not perform properly.
- Do not install the refrigerator in a location exposed to water (rain, etc.) or direct sunlight.
- Install it on a floor strong enough to support it fully loaded.

STAINING WOOD DRAWER FRONTS

- The drawer fronts are unfinished cherry wood. During use, oil from hands may accumulate and stain the wood.
- The drawer fronts may be stained and sealed to match adjacent cabinetry. The tinted glass will make the stained wood appear darker. A true color match can be seen only when the door is opened.
 - Apply the stain and sealer according to the manufacturer's instructions. To avoid unpleasant odor, keep the door open to ventilate and allow the stain/sealer to dry completely before using the product.

Design Guide

INSTALLING THE CUSTOM FRAME PANEL

Go to page 6 for custom frame panel size, depending on your cabinet size and style.

- Install a custom handle of your choice onto the custom panel before the panel is secured to the door.
- The custom panel should be installed before sliding the product into the installation location.

CARING FOR YOUR STAINLESS STEEL

- Before installation or first use, we strongly advise that you polish the stainless steel exterior and handle with a commercially available stainless steel cleaner such as Stainless Steel Magic.™ To preserve and protect the fine finish, we also strongly advise that you apply stainless steel cleaner monthly.

INSTALLATION OPTIONS

All models may be installed in any of these options using the installation design guide provided. Note the descriptions below:

FREESTANDING

The product will have no cabinet around it and no countertop above it.

SINGLE STANDARD

The product will be installed inside a cabinet opening, a countertop will be above it and the door face will NOT be flush with the adjacent cabinets.

SINGLE FLUSH INSET (NOT FULLY INTEGRATED)

The product will be installed inside a cabinet opening, a countertop will be above it and the door face WILL BE FLUSH with the adjacent cabinets.

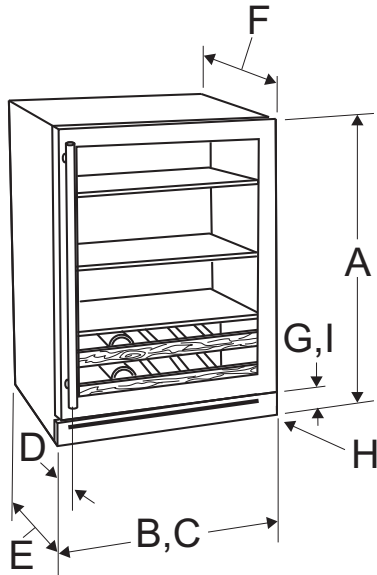
SIDE-BY-SIDE (DUAL) INSTALLATIONS

For a complete refreshment center, other undercounter products can be installed side by side. Please refer to the specific products and the dual design guide chart for the desired installation configuration requirements. The pair can be Standard or Flush Inset installed, both units need to match install type.

Design Guide

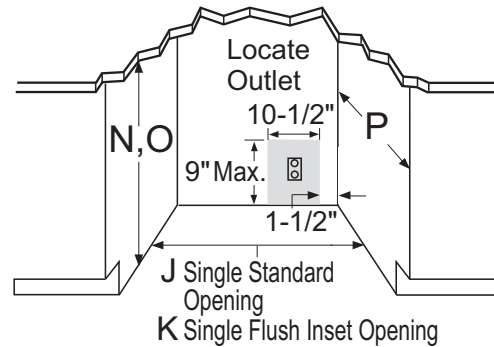
For models ZDWI240, ZDWR240, ZDBI240, ZDBR240

THE INSTALLATION SPACE

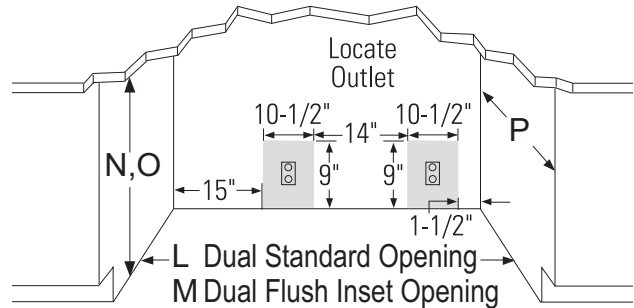


NOTE:
Handle standoff depth is 2 1/8"
(Actual handle may vary slightly.)

SINGLE PRODUCT INSTALLATION



SIDE BY SIDE PRODUCT INSTALLATION



	Description	Wine Custom ZDWI240 Dimensions	Wine SS ZDWR240 Dimensions	Beverage Custom ZDBI240 Dimensions	Beverage SS ZDBR240 Dimensions
A	Height (Level leg down) includes hinge	34-1/16" (866 mm)	34-1/16" (866 mm)	34-1/16" (866 mm)	34-1/16" (866 mm)
B	Width (Including door)	23-7/16" (596 mm)	23-7/16" (596 mm)	23-7/16" (596 mm)	23-7/16" (596 mm)
C	Width without door	23-7/16" (596 mm)	23-7/16" (596 mm)	23-7/16" (596 mm)	23-7/16" (596 mm)
D	Handle Depth Range unless Custom Handle	2-1/8", 2-5/8" (54, 66.7 mm)	2-1/8", 2-5/8" (54, 66.7 mm)	2-1/8", 2-5/8" (54, 66.7 mm)	2-1/8", 2-5/8" (54, 66.7 mm)
E	Depth including Door (& custom panels) without Handle	23-11/16" (601.7 mm)	23-3/8" (594 mm)	24-11/16" (601 mm)	23-3/8" (594 mm)
F	Depth without door	21-3/4" (552 mm)	21-3/4" (552 mm)	21-3/4" (552 mm)	21-3/4" (552 mm)
G	Toe Kick Height (floor to bottom of door)	4" (102 mm)	4" (102 mm)	4" (102 mm)	4" (102 mm)
H	Level Leg Max Adjustment	1" (25 mm)	1" (25 mm)	1" (25 mm)	1" (25 mm)
I	Decorative Toe Kick Part Dimension	23-7/16" W x 3-1/8" H (596 W x 79 H mm)	23-7/16" W x 3-1/8" H (596 W x 79 H mm)	23-7/16" W x 3-1/8" H (596 W x 79 H mm)	23-7/16" W x 3-1/8" H (596 W x 79 H mm)
J	Single Standard Opening	23 7/8" (606 mm)	23 7/8" (606 mm)	23 7/8" (606 mm)	23 7/8" (606 mm)
K	Single Flush Inset Opening	24 7/8" (632 mm)	24 7/8" (632 mm)	24 7/8" (632 mm)	24 7/8" (632 mm)
L	Dual Standard Opening	47 3/4" (1213 mm)	47 3/4" (1213 mm)	47 3/4" (1213 mm)	47 3/4" (1213 mm)
M	Dual Flush Inset Opening	49 1/2" (1257 mm)	49 1/2" (1257 mm)	49 1/2" (1257 mm)	49 1/2" (1257 mm)
N	Maximum Cabinet Opening Height	35" (889 mm)	35" (889 mm)	35" (889 mm)	35" (889 mm)
O	Minimum Cabinet Opening Height	34.5" (876 mm)	34.5" (876 mm)	34.5" (876 mm)	34.5" (876 mm)
P	Cabinet Opening Depth S: Standard, F: Flush Inset	S: 24" (610 mm), F: 25" (635mm)	S: 24" (610 mm), F: 25" (635mm)	S: 24" (610 mm), F: 25" (635mm)	S: 24" (610 mm), F: 25" (635mm)
Q	Gap between drawers	Not Applicable	Not Applicable	Not Applicable	Not Applicable
R	Depth with door open 90 or drawer fully open	45-5/16" (1151 mm)	45-5/16" (1151 mm)	45-5/16" (1151 mm)	45-5/16" (1151 mm)
S	Height with top cover (Level leg down)	Not Applicable	Not Applicable	Not Applicable	Not Applicable

Design Guide

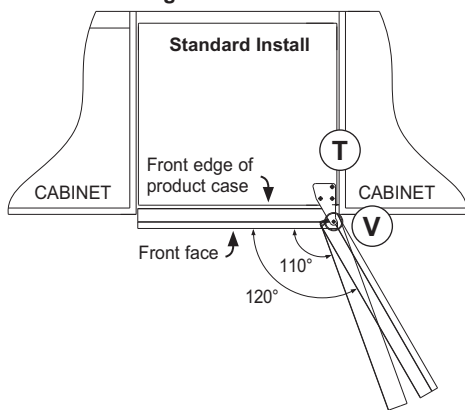
THE INSTALLATION SPACE: WINE CHILLER, WINE RESERVE, BEVERAGE CENTER

Standard Installation

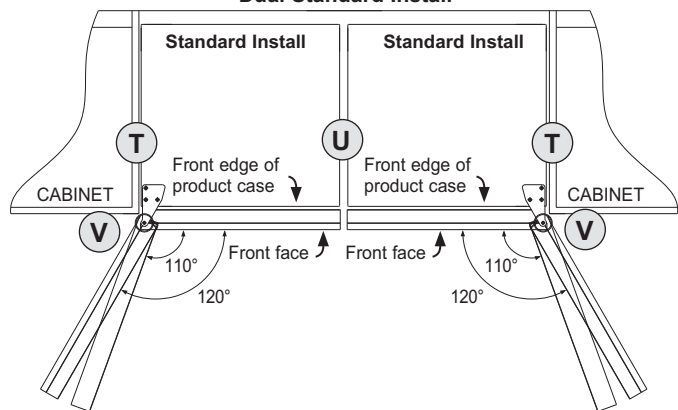
Option	Identifier	Description	Models			
			ZDWI240	ZDWR240	ZDBI240	ZDBR240
Single	T	Hinge Filler	None	None	None	None
	U	Middle Filler	None	None	None	None
	V	Product is Forward of Flush	2"	1"	2"	1"
Dual	T	Hinge Filler	None	None	None	None
	U	Middle Filler	1/4"	None	1/4"	None
	V	Product is Forward of Flush	2"	1"	2"	1"

NOTE: ALL Fillers should be located 1 5/8" back from the front face of the cabinetry or located even with the front edge of the product case behind the gasket.

Single Standard Install



Dual Standard Install

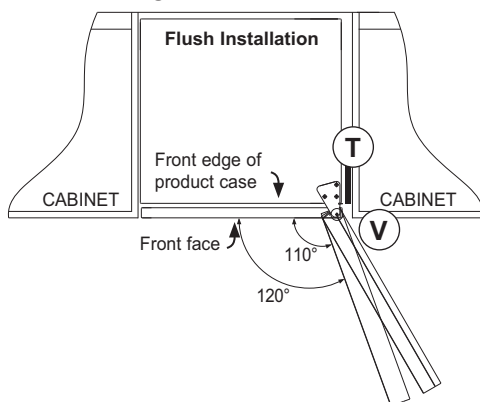


Flush Inset Installation

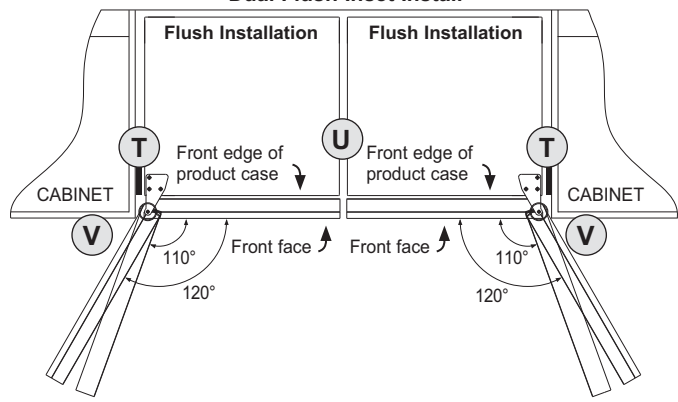
Option	Identifier	Description	Models			
			ZDWI240	ZDWR240	ZDBI240	ZDBR240
Single	T	Hinge Filler	1 1/8"	1 1/8"	1 1/8"	1 1/8"
	U	Middle Filler	None	None	None	None
	V	Product is Flush	0"	0"	0"	0"
Dual	T	Hinge Filler	1 1/8"	7/8"	1 1/8"	7/8"
	U	Middle Filler	1/4"	1/2"	1/4"	1/2"
	V	Product is Flush	0"	0"	0"	0"

NOTE: ALL Fillers should be located 1 5/8" back from the front face of the cabinetry or located even with the front edge of the product case behind the gasket.

Single Flush Inset Install



Dual Flush Inset Install



Design Guide

PRODUCT CLEARANCES

The door swing opening angles from the factory are set at 95° for models ZDWI240 and ZDBI240 and 110° for models ZDWR240 and ZDBR240 with no adjustment or stop at 90°.

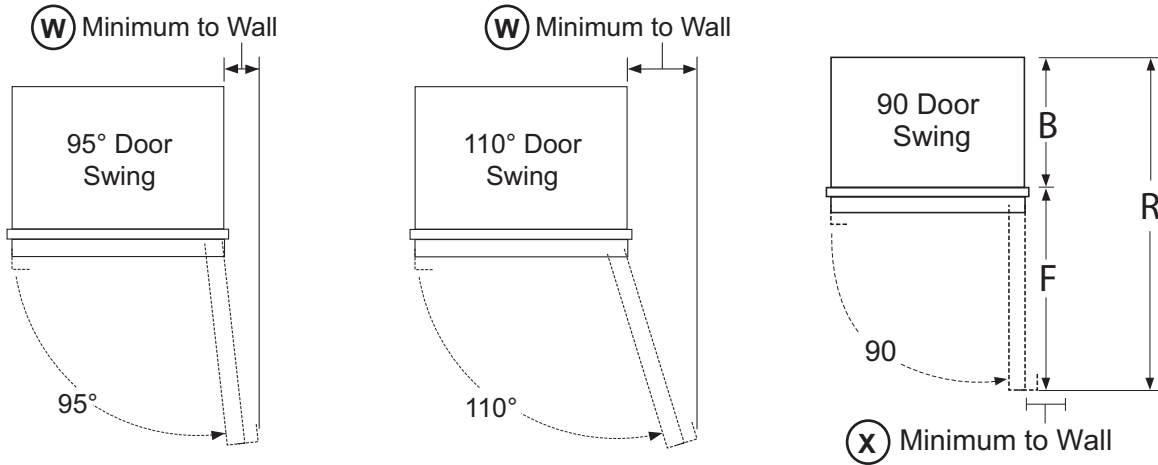
Choose the location:

- These products may be closed in on the top and three sides as long as the front is unobstructed for air circulation and proper access to the door.
- Do not install these products where the temperature will go below 55°F (13°C) or above 100°F (37°C).
- These products are not designed to be stacked one over the other.
- Right hand models illustrated. Allow the same clearances on the opposite side for left hand models.
- Test the door swing. Carefully open and close the door. The door should not rub or catch on adjacent cabinetry.
- When installing custom panel and handle, use clearances as a general guide but adjust according to the specific installation.

When installing in a corner or near a wall, note the recommended clearance distances in the following chart:

Identifier	Descriptions	Models			
		ZDWI240	ZDWR240	ZDBI240	ZDBR240
Door Opening Angle	Factory Setting Door Stop Angle	95°	110°	95°	110°
W	Minimum door swing clearance at door stop	6" (152 mm)	11" (279 mm)	6" (152 mm)	11" (279 mm)
X	Minimum door swing clearance at 90° (allowing racks to slide out)	4 1/2" (114 mm)	4" (102 mm)	4 1/2" (114 mm)	4" (102 mm)

NOTE: Clearances are based on the recommended maximum 2 9/16" (65mm) handle height.



Installation Instructions

STEP 1 REMOVE PACKAGING

- Remove corner blocks and foam drawer stops.
- Remove all packing material, tape and protective plastic coverings.
- Remove stainless steel toekick taped to the back of the

▲ WARNING Small objects are a choke hazard for children. Remove and discard any parts not used.

▲ AVERTISSEMENT Les petits objets peuvent étrangler les enfants. Il faut jeter toutes les pièces qui ne sont pas utilisées.

STEP 2 REVERSE DOOR SWING

SKIP THIS STEP IF DOOR SWING SUITS THE INSTALLATION

▲ WARNING Follow all steps when reversing the door swing. Failure to follow these instructions, leaving off parts, or over tightening screws, can lead to the door falling off and result in injury and property damage.

▲ AVERTISSEMENT Suivez toutes les étapes lors du changement d'ouverture de la porte. La porte risque de tomber en plus de causer des blessures ou des dommages si vous ne respectez pas ces instructions, oubliez des pièces ou effectuez un serrage excessif des vis.

Parts Included:

- Top left case hinge
- Bottom left case hinge
- Left and right side decorative hinge cover
- Decorative hinge screw hole cover
- Torx® driver bit

Tools Required:

- Phillips screwdriver
- Electric drill

Remove the door:

- Flatten the shipping carton to use as a pad.
- Remove the 2 screws and the toekick. Set aside the screws and toekick for final installation.
- Use the supplied Torx® bit and electric drill to remove the 3 screws holding the top case hinge. Lift off the hinge. (Screws will be used to install the new hinge.)
- Lift the door off the bottom case hinge.
- Remove the bottom case hinge pin and bracket.

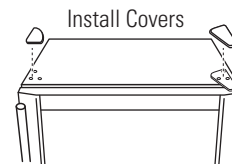
Rotate the door:

- The handle will be on the right side of the door; hinges will be installed on the left side of the case.
- Remove the door stop and cam riser on the original bottom right side of the door.
 - Remove the fill plug on the top right side of the door.
 - Turn the door over and reinstall the fill plug on the new left side.

STEP 2 REVERSE DOOR SWING (Cont.)

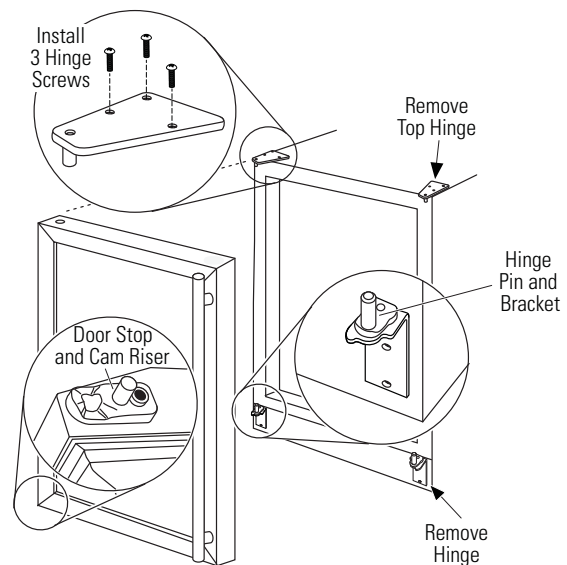
Reinstall the door:

- Install the original door stop and cam riser onto the bottom left side of the door.
- Install the new supplied bottom case hinge pin and bracket onto bottom left side.
- Place the door onto the bottom case hinge.
- Install the supplied left-hand top case hinge with the 3 original screws.
- Select the hinge cover marked with an "L".
- Peel backing off the tape inside the decorative hinge cover.
- Press and snap the hinge cover into place.
- Snap the screw hole cover into place on the opposite side.



IMPORTANT:

Check to be sure screws are tight and that the door is straight and does not sag. The door should swing freely.



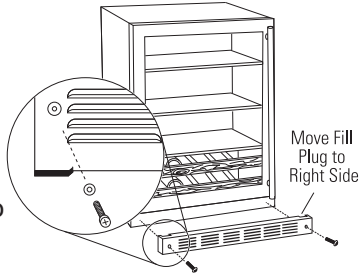
Installation Instructions

STEP 2 REVERSE DOOR SWING (Cont.)

Install Toekick

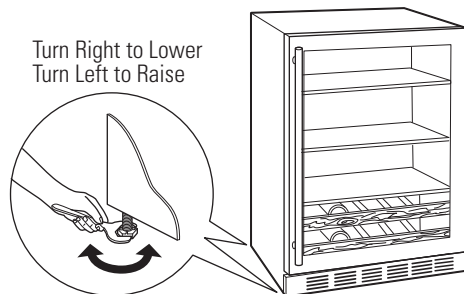
The toekick has a cutout on the left and right sides. Remove the plug on the left side and reinstall on the right side. If you choose to install the stainless steel toekick, reinstall the plug on the right side of that toekick.

- Install original screws and spacers or screws and spacers supplied with the stainless steel toekick. Install screws through the spacer standoff, toekick and into the base as shown.



STEP 3 LEVEL

- Use an adjustable wrench to turn the leveling legs and raise or lower the product.
- Adjust carefully; the product should be level and plumb with cabinetry, and should align with adjacent toekick height.



If you skipped Step 2:

- Select the hinge cover marked “R” or “L”, depending on door swing.
- Peel backing off the tape inside the decorative hinge cover. Press and snap into position.
- Snap the screw hole cover into place on the opposite side.

STEP 4 CONNECT POWER

- Connect power cord plug to a properly grounded receptacle.
- Check to make sure power is on by opening the door to see if interior light turns on.

STEP 5 SLIDE PRODUCT INTO THE CUTOUT

- Carefully, slide the unit into the opening. Be careful not to entangle the power cord.
- Make certain that the door protrudes 1” beyond the surrounding cabinets (1-7/8” for custom frame models).
- Check again to be sure the unit is level.

STEP 6 SET TEMPERATURE CONTROLS

- The temperature controls are preset. Refer to the Owner’s Manual for more information. Allow 24 hours for temperature to stabilize.

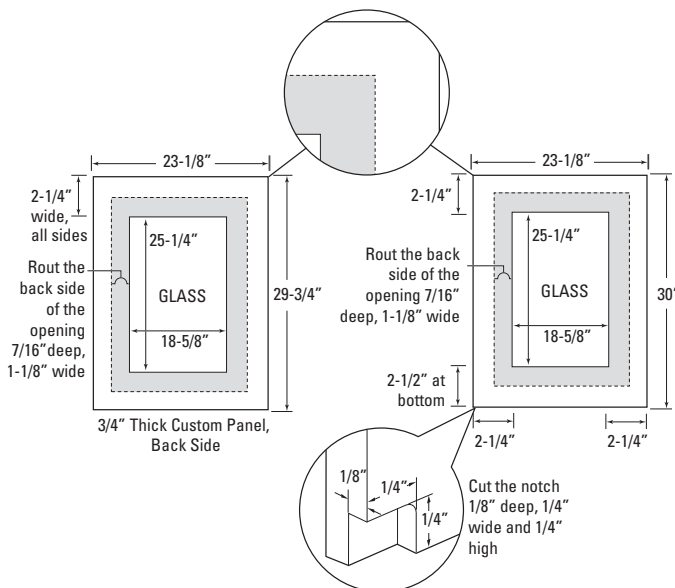
Installation Instructions

CUSTOM FRAME PANEL MODELS

Model ZDWI240WII and ZDBI240WII

These models require a custom panel frame surrounding the glass. There are two options: the panel may be 29-3/4" or 30" high. A 30" panel requires a notch cut into the bottom of the panel to avoid interference with the hinges.

- Rout the back side of the panel to the dimensions shown.
- A custom handle of your choice or ZTBSS1 Tubular Handle must be installed before the panel is mounted onto the door.



Choose Option 1 or Option 2 panel size depending on cabinetry size or style.

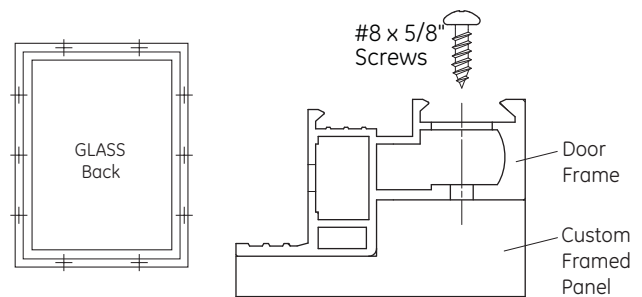
NOTE: A solid panel that covers the door glass CANNOT be installed on these models.

CUSTOM FRAME PANEL MODELS (Cont.)

Model ZDWI240WII and ZDBI240WII

Install the custom panel:

- Open the door fully.
- Remove the gasket surrounding the inside of the door to expose the existing screw holes for the custom panel.
- Hold the custom frame panel against the door and align carefully, top to bottom and side to side. Mark screw hole locations on the back side of the panel.
- Drill pilot holes in the back side of the custom panel. In hardwood, drill 3/32" pilot holes. In softwood, drill 5/64" holes.
- Secure the prepared panel to the door using ten (10) #8 x 5/8" screws. Drive the screws through the door frame and into the wood.
- Replace the gasket.



NOTE: While performing installations described in this book, safety glasses or goggles should be worn.

NOTE: Product improvement is a continuing endeavor at Monogram. Therefore, materials, appearance and specifications are subject to change without notice.

