

MONOGRAM 30" BUILT-IN MICROWAVE

ZCWK22U2WSS



Shown with stainless steel built-in trim kit that is sold separately



NOTE: Please refer to installation instructions for complete information on installation details and configuration options.

GLASS TOUCH CONTROLS

Enjoy a sleek, high-end appearance that not only enhances your kitchen's aesthetic but also makes cleaning a breeze. The intuitive glass touch controls ensure a smooth user experience every time.

SENSOR COOKING

Achieve perfect results effortlessly with 8 sensor cooking options. The microwave automatically adjusts time and power for optimal cooking of vegetables, reheating leftovers, and more.

STEAM COOKING

Harness the power of steam to cook nutrient rich vegetables and meats. Using microwave safe steamers, you can prepare healthy, delicious meals with ease.

COUNTERTOP CAPABILITY

For those who prefer flexibility, the microwave can also be placed on a counter top, providing easy access and convenience.

EXTRA LARGE TURNTABLE

The 16.6" glass turntable accommodates larger cookware, ensuring even cooking and thorough heating as it rotates.

AMPLE CAPACITY

With a spacious 2.2 cu. ft. capacity and 1100 watts of power, this microwave offers ample cooking space and performance, making it ideal for all of your culinary needs.

BACKLIT DISPLAY

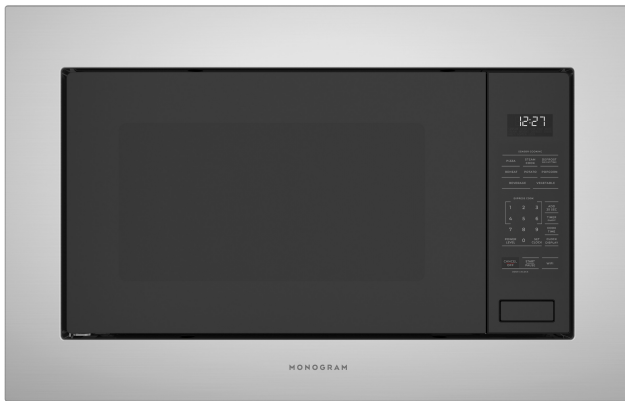
Easily navigate settings with the back-lit LED display, providing clear visibility and an elegant touch to your kitchen appliance.

WELL-LIT INTERIOR

Illuminate the interior of your microwave with the built-in lighting, making it easy to place and remove food items with precision.

BUILT-IN TRIM KITS SOLD SEPARATELY

Create a seamless, integrated look in your kitchen with the stainless steel trim kit (sold separately in 27" or 30" sizes). Whether installed on its own in a butler's pantry or over a single wall oven, this microwave offers a refined built-in appearance.



Shown with stainless steel built-in trim kit that is sold separately

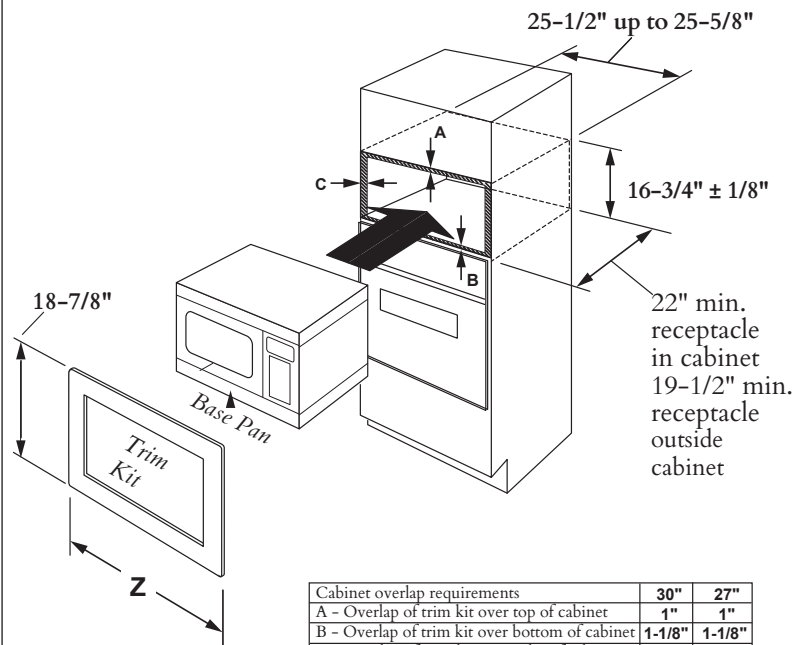
SPECIFICATIONS

Overall Width	24 1/2" (62.2 cm)
Overall Height	13 5/8" (34.6 cm)
Overall Depth	19 3/4" (50.2 cm)
Overall Oven Interior Capacity	2.2 cu. ft. (.06 cu. m)
Voltz/Hertz/Amps	120 VAC, 60 Hz, 13.9A
Watts	1100
Power Cord Length	41" with 3 prong plug
Shipping Weight	53 lbs (24kg)

ATTENTION ELECTRICIAN:

A 120V, 60Hz, 15 Amp circuit is required. An individual properly grounded branch circuit or circuit breaker is required. Hardware junction box is required for built-in product.

OVERALL DIMENSIONS



Cabinet overlap requirements	30"	27"
A - Overlap of trim kit over top of cabinet	1"	1"
B - Overlap of trim kit over bottom of cabinet	1-1/8"	1-1/8"
C - Overlap of trim kit over sides of cabinet	2-1/8"	5/8"

Note:
Allow an additional inch of clearance beyond trim frame on all sides

Trim kits sold separately - required for built-in installation

Accessory Trim Kits	Z	Max Height	Trim Kits
30"	29 3/4"	18 7/8"	ZX2130SLSS
27"	26 3/4"	18 7/8"	ZX2127SLSS