



THE NEXT LEVEL IN LUXURY APPLIANCES

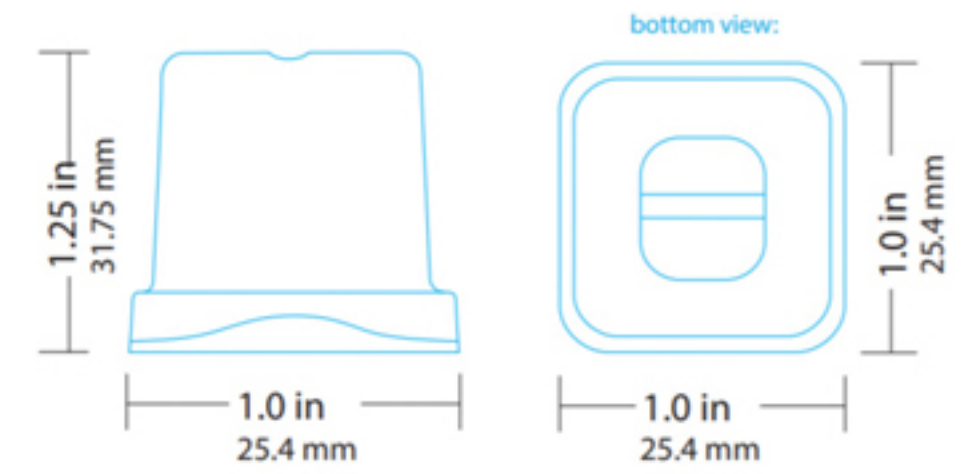
XOUI1565S
XOUI1565SP
(WITH PUMP)

15" INDOOR - OUTDOOR CLEAR GOURMET ICE MAKER



- Rated for Indoor or Outdoor use
- Up to 65 lbs of Gourmet Ice per day
- Stores up to 27 lbs of ice
- Fully Automatic

Cube Size:



15" UNDERCOUNTER ICE MAKER

Automatically produces up to 65lbs of clear gourmet ice per day

The **XOUI1565S** series ice maker produces large cube gourmet ice that is crystal clear ideal for use in all kinds of beverages. That's because the rectangular bell shaped cubes are designed to melt slowly and minimize any dilution. The spray molding process allows impurities that can add taste or odor to be continuously washed away. It is ice created for the purist in you.

Choosing the right ice matters.

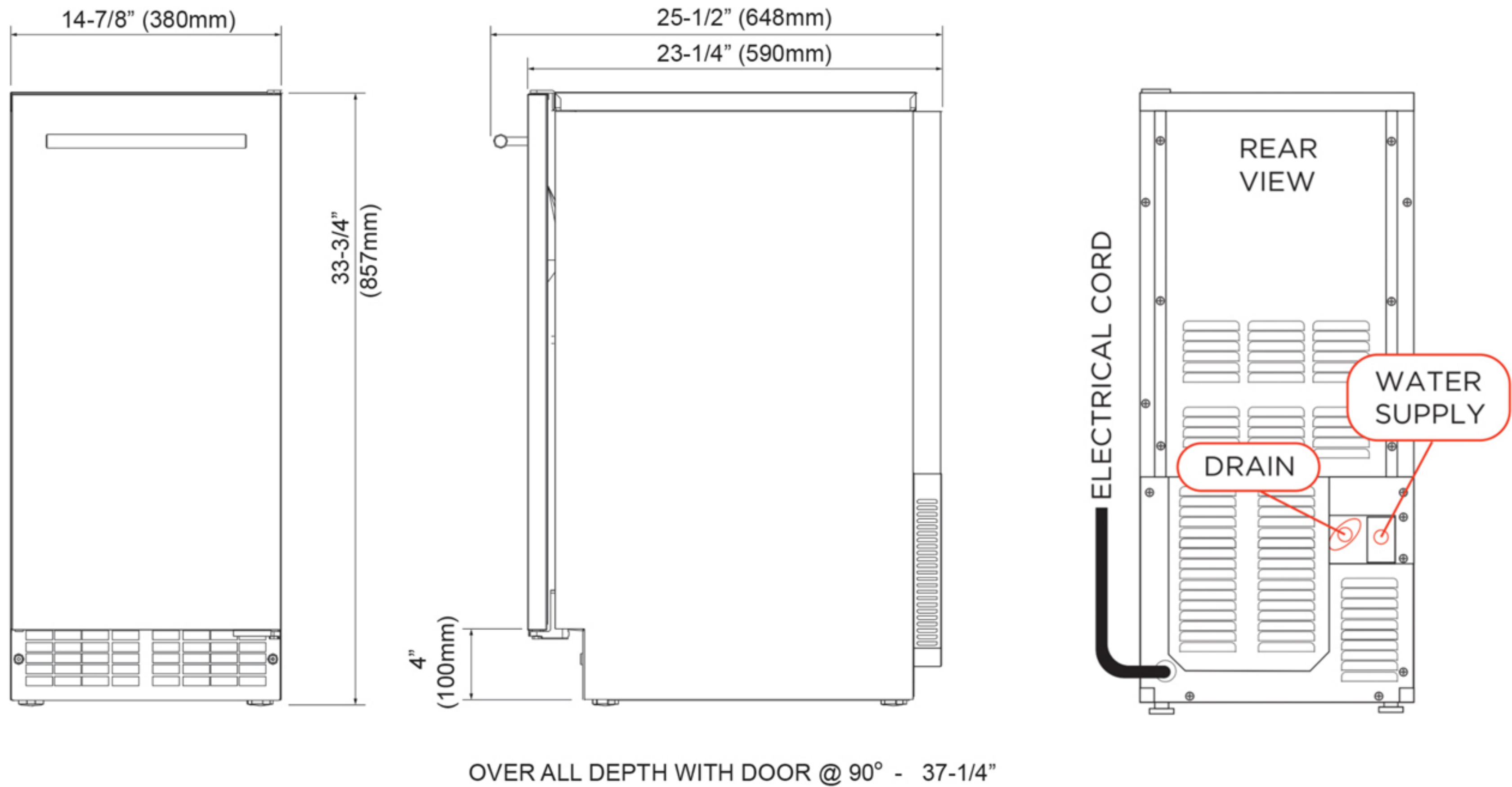
WORLD CLASS SERVICE | COMPREHENSIVE WARRANTIES

OUR LASTING COMMITMENT TO YOU



XOUIM1565S XOUIM1565SP (WITH PUMP)

15" GOURMET ICE MAKER



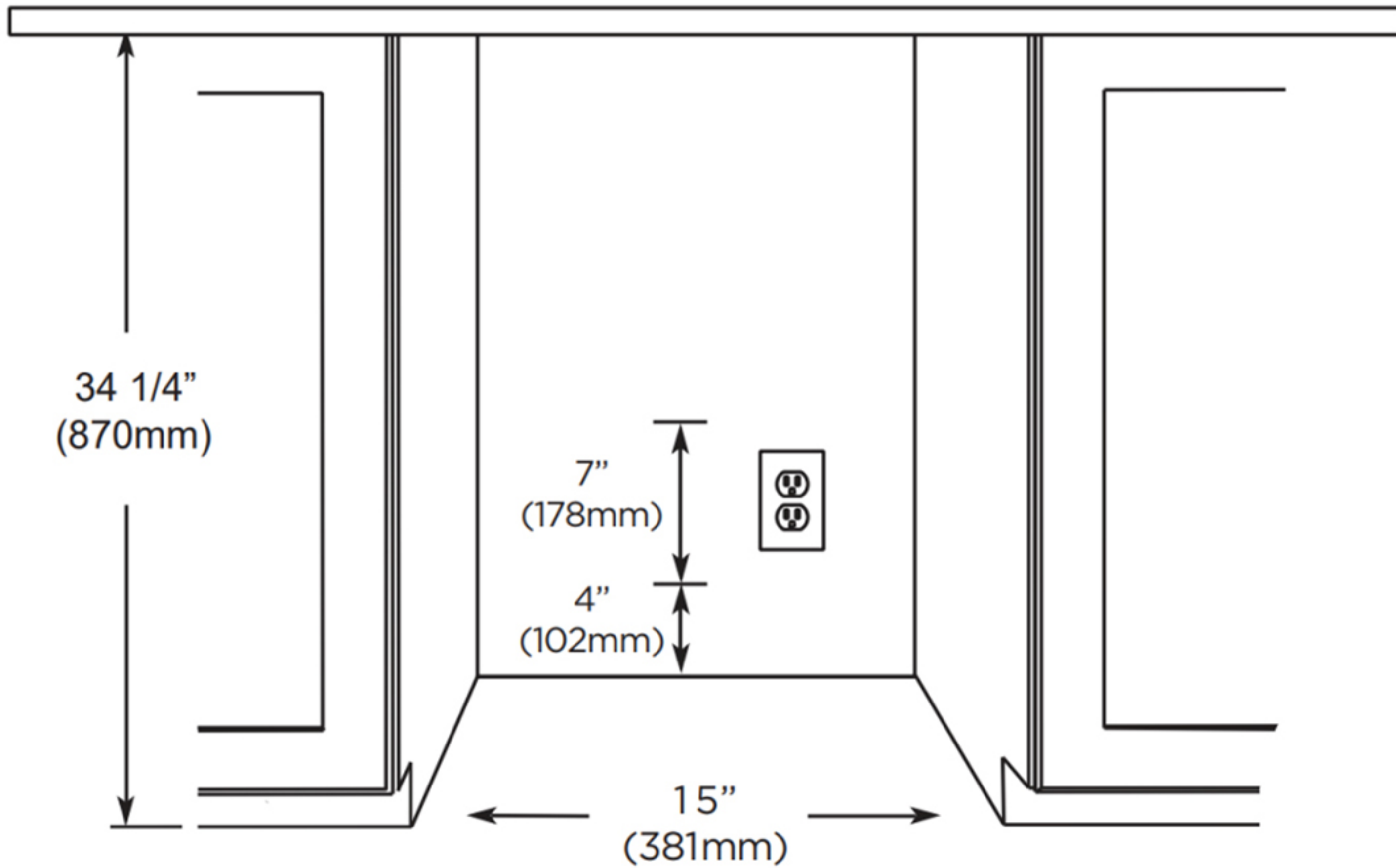
FEATURES

- FINISH**
- Fingerprint Resistant 304 Stainless Steel
 - Includes Two Different Style Handles
 - White Interior
-
- ICE MAKER**
- Produces up to 65lbs of Gourmet Ice per Day
 - Ice Tank Capacity 27lbs
 - Front Venting - Designed for Undercounter
 - Fully Automatic
 - Rated for Indoor and Outdoor Use
 - Large Rectangular Bell Cube
 - Easy to Spot Blue Ice Scoop
 - Available in two models:
- XOUIM1565S
Standard for gravity drain installs
 - XOUIM1565SP
Includes factory installed automatic drain pump

SPECIFICATIONS

- ELECTRICAL** 120VAC 60HZ 4 AMP*
 - PWR CONNECTION** 6-1/2' (3) wire cord 90° Flat Plug
 - WATER CONNECTION** 1/4" 20 - 80 psi 50°F Optimal
 - DRAIN CONNECTION** 5/8"
 - REFRIGERANT** R513a
 - OVER ALL DIM.** 14-15/16" x 23-1/4" x 33-3/4"
 - NET WGT.** 104 lbs
- *dedicated 15 amp service required
unit must be properly grounded
see installation instructions

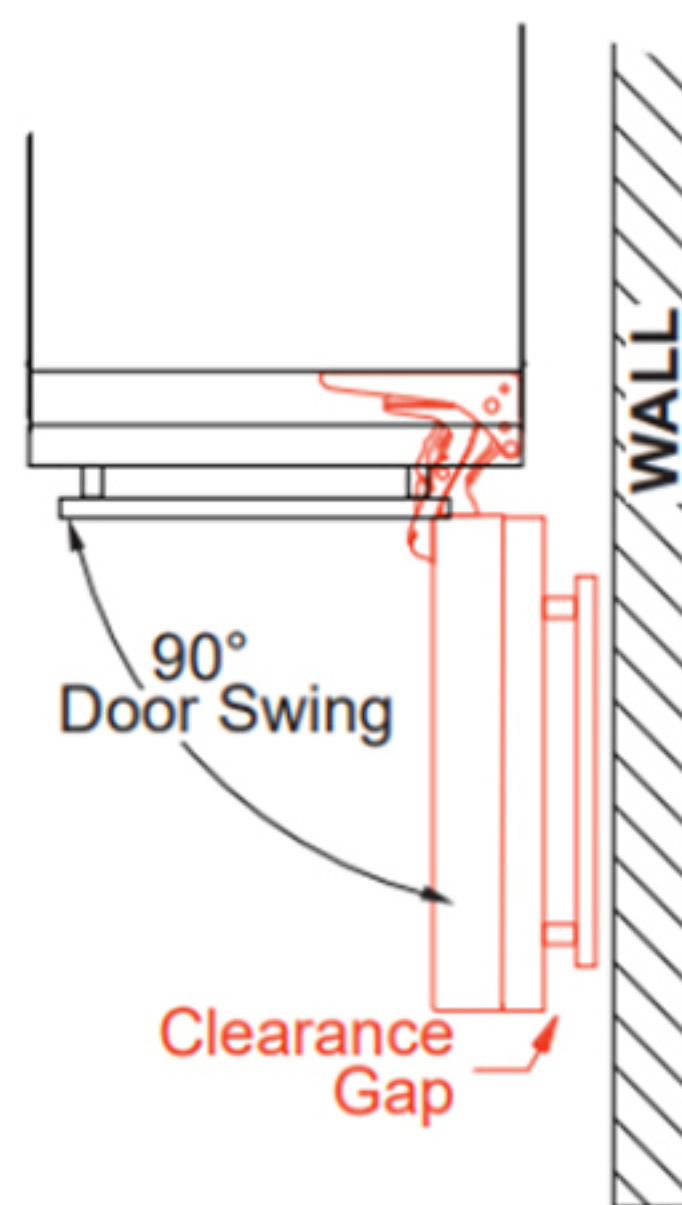
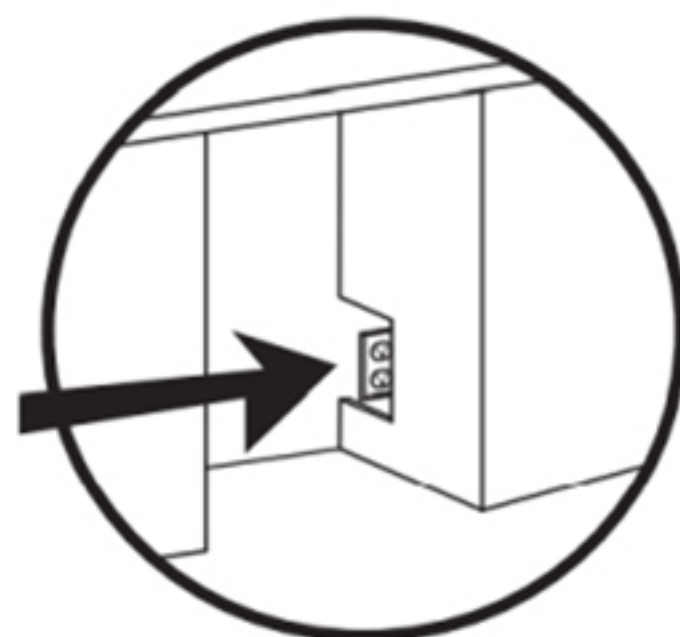
ROUGH-IN DIMENSIONS



All XO undercounter units arrive pre-wired with low profile plugs for easy installation



Need more space - Cut into an adjoining cabinet to reach an outlet there



When installing with The hinge side next to a wall - Leave adequate space for your door handle.