



**XOU24WGS**

24" STAINLESS STEEL SINGLE ZONE  
WINE COOLER

## 24" UNDERCOUNTER SINGLE ZONE WINE COOLER



**XOU24WGS**

- Telescoping wire racks fully extend
- Tri-color led lighting
- Secure door lock
- Single zone to store and serve

STORE UP TO 54 BOTTLES - READY TO SERVE AT 41° TO 64° F.

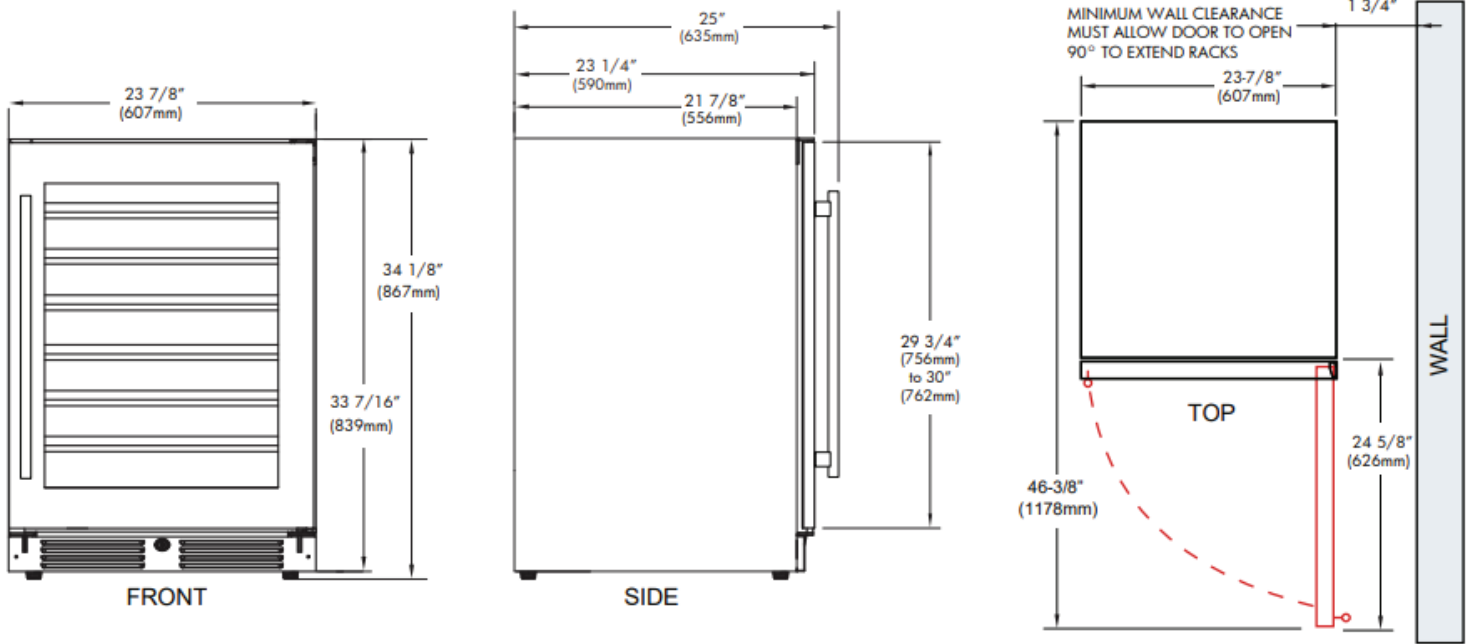
This elegant, efficient wine storage and serving center is the perfect choice for convenient entertaining, keeping up to 54 bottles of your favorites close at hand because the quiet XOU24WGS was designed for easy undercounter installation.

When it is all about the wine - it is all about XO.

WORLD CLASS SERVICE | COMPREHENSIVE WARRANTIES

**OUR LASTING COMMITMENT TO YOU**

\*Specify **R** for right hand hinge - or - **L** for left hand hinge



### FEATURES

#### CAPACITY

Full extension smooth glide racks hold:  
 (54) 750ml bottles at 41° to 64° F

#### FEATURES

- Zero clearance hinges for flush integration\*
- Secure door lock
- Non- reversible door - specify right or left hinge
- Library quiet 39 dBA operation
- Elegant tri-color interior illumination
- Intuitive digital touch controls
- 6-1/2' Power Cord with low profile 90° flat plug
- Low E Glass blocks harmful UV light
- Alarm Functions
- Energy Saver and Sabbath Mode

\* Note: zero clearance hinges are visible just above and below the door panel

### SPECIFICATIONS

**ELECTRICAL** 120V 60HZ 4.35 AMP\*

**DIMENSIONS**  
 H 34 1/8"  
 W 23 7/8"  
 D 23 1/4"

**PRODUCT WEIGHT** 141 lbs

**ROUGH IN**  
 H 34 1/4" min  
 W 24"  
 D 24"

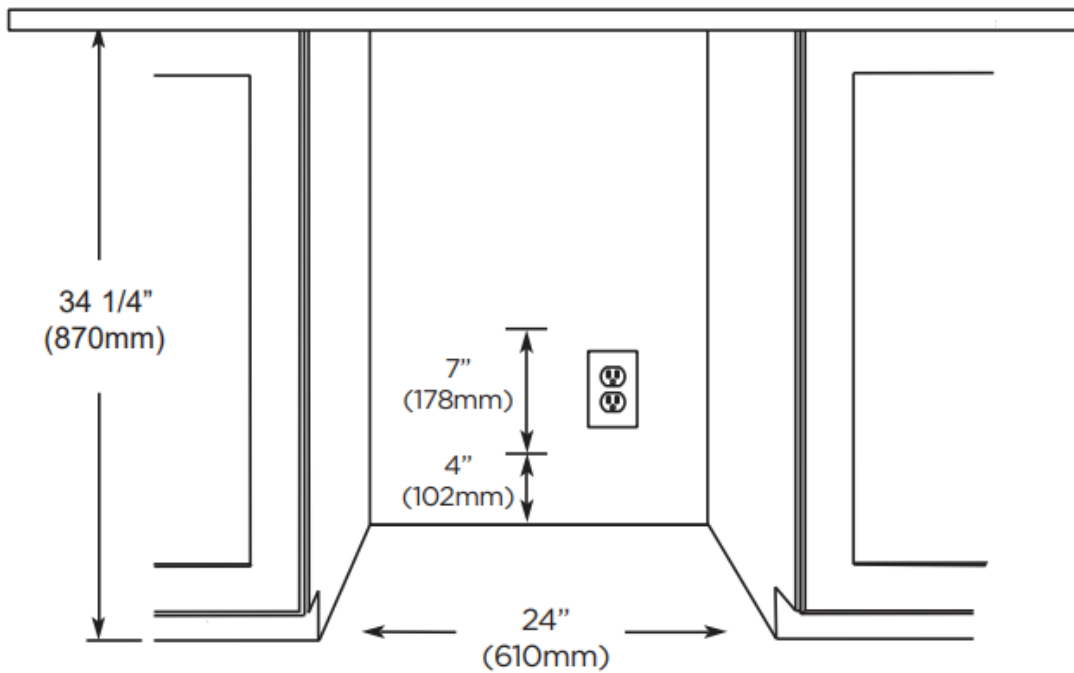
**REFRIGERANT** R600A



Two Different Style  
 Handles Included



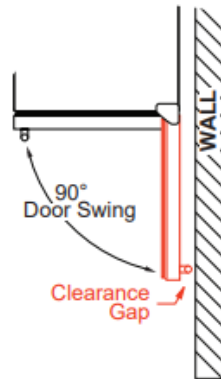
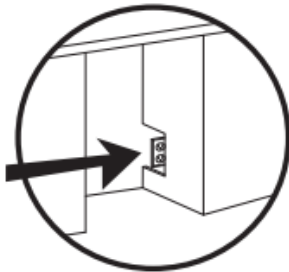
### ROUGH IN DIMENSIONS



ALL XO UNDERCOUNTER  
UNITS ARRIVE PRE-WIRED  
WITH LOW PROFILE PLUGS  
FOR EASY INSTALLATION



NEED MORE SPACE -  
CUT INTO AN ADJOINING  
CABINET TO REACH AN  
OUTLET THERE



WHEN INSTALLING WITH  
THE HINGE SIDE NEXT TO A WALL  
LEAVE 1-3/4" CLEARANCE GAP FOR  
CABINET HANDLES

DOOR MUST BE ABLE TO OPEN  
A MINIMUM OF 90°.

IF THE DOOR CANNOT OPEN FULLY  
YOU CANNOT EXTEND THE SHELVES.

CONSULT THE MANUAL FOR  
INSTRUCTIONS ON CHANGING  
THE DOOR STOP SETTING.