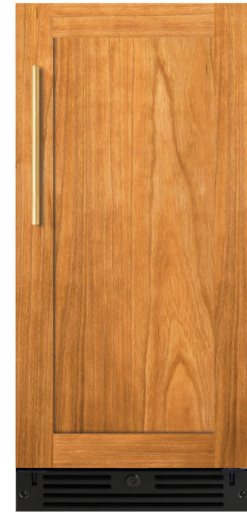




XOU15WOF

15" FULL PANEL OVERLAY SINGLE ZONE
WINE COOLER

LUXURY LIFESTYLE REFRIGERATION



XOU15WGOF

- Glass Shelves Fully Extend While Loaded
- Tri-Color LED Interior Lighting
- Secure Door Lock
- Shelves Adjust To 15 Different Positions

15" UNDERCOUNTER WINE COOLER w/OVERLAY FRAME DOOR

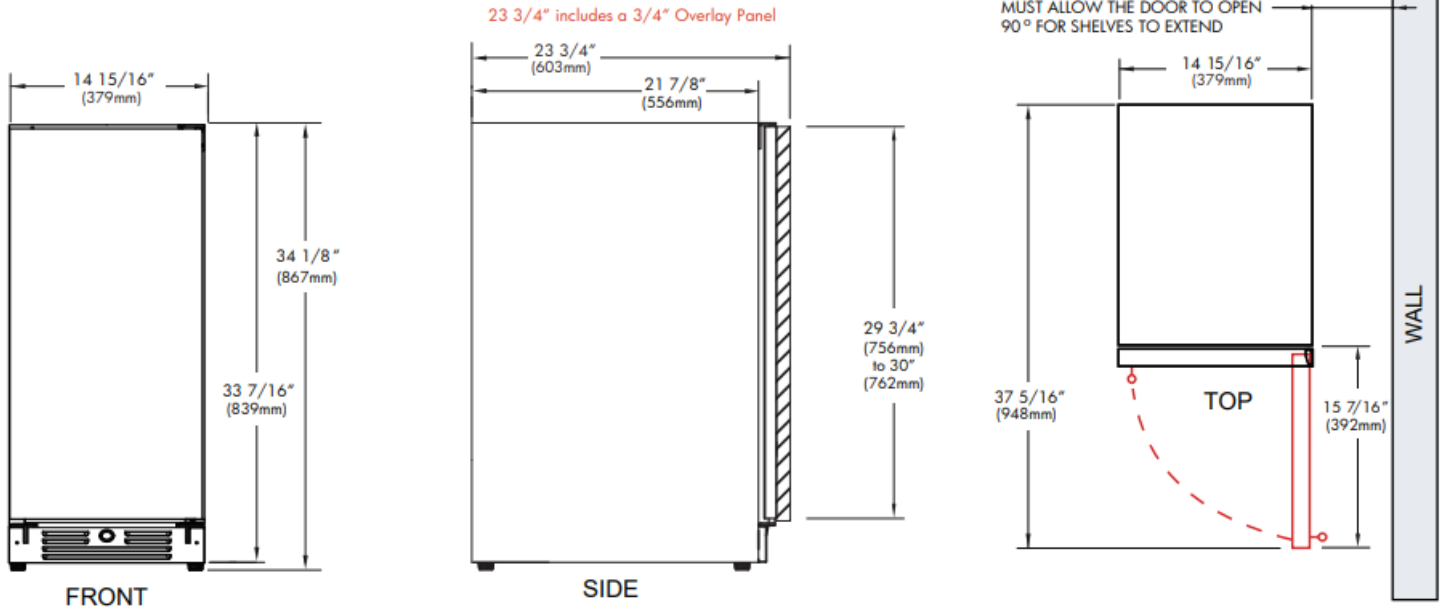
Keep 34 bottles close at hand and ready to serve at 41° to 64° F.

This elegant, efficient wine storage and serving center is the perfect choice for convenient entertaining. At only 15" wide and designed to install flush with your cabinetry, this quiet and efficient wine cooler will prove to be the ideal choice for entertaining or just relaxing.

WORLD CLASS SERVICE | COMPREHENSIVE WARRANTIES

OUR LASTING COMMITMENT TO YOU

*Specify **R** for right hand hinge - or - **L** for left hand hinge



FEATURES

CAPACITY

Full extension smooth glide racks hold:
(34) 750ml bottles at 41° to 64° F

FEATURES

- Zero clearance hinges for flush integration*
- Secure door lock
- Non-reversible door - specify left or right hinge
- Library quiet at 39dBA operation
- Elegant tri-color lighting
- Intuitive digital touch controls
- 6 1/2' power cord with low profile 90° flat plug
- Alarm functions
- Energy Saver and Sabbath mode

* Note: Zero clearance hinges are visible just above and below door panel

XO the next level
in luxury appliances

xoappliance.com | 800.966.8300

SPECIFICATIONS

ELECTRICAL 120V 60HZ 4.35 AMP*

DIMENSIONS H $34 \frac{1}{8}$ "
W $14 \frac{15}{16}$ "
D $23 \frac{3}{4}$ " (w $3/4$ " finish panel)

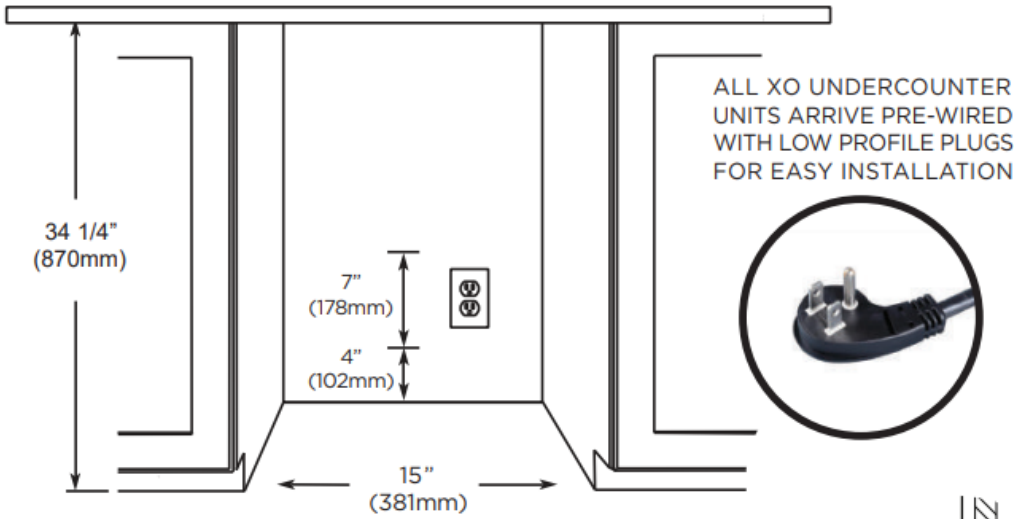
ROUGH IN H $34 \frac{1}{4}$ " min
W 15"
D 24"

REFRIGERANT R600A

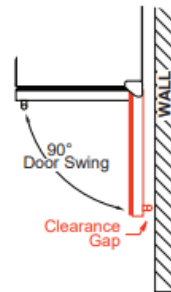


XO is exclusively distributed by
EASTERN MARKETING CORP.
24 Eisenhower Parkway
Roseland, NJ 07068

ROUGH IN DIMENSIONS

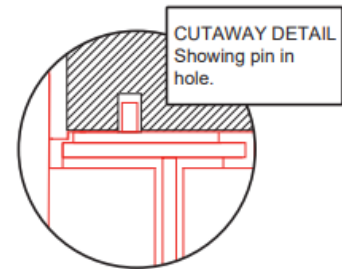


OVERLAY FRAME DIMENSIONS

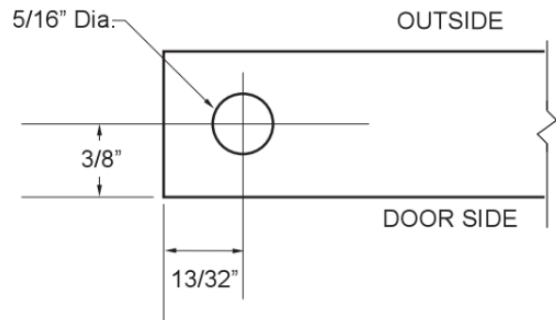


WHEN INSTALLING WITH THE HINGE SIDE NEXT TO A WALL - LEAVE ADEQUATE SPACE FOR CABINET HANDLES

DOOR MUST BE ABLE TO OPEN A MINIMUM OF 90°.



TO ACCOMMODATE THE HINGE PINS ON THE HINGE SIDE OF THE PANEL Drill a hole at least 5/16" in diameter and 1" deep into the top and bottom of the frame in the location shown.



THE DOOR STOP IS SET AT 110° BUT CAN BE RESET TO 90° OR 140°.

IF THE DOOR CANNOT OPEN FULLY YOU CANNOT EXTEND THE RACKS.

XO the next level
in luxury appliances

xoappliance.com | 800.966.8300