

# EVERY THING YOU NEED TO KNOW ABOUT YOUR

# XO

# XO

I worked really hard  
on this manual -  
so please read it...

OVER-THE-RANGE  
MICROWAVE OVEN  
MODEL: XOOTR30LPS

SAFETY PRECAUTIONS	2	CONTROLS OVERVIEW	8
RADIO INTERFERENCE	4	MICROWAVE OPERATIONS	9
ELECTRICAL GROUNDING	5	VENTILATION + LIGHTS	17
PARTS OVERVIEW	6	CLEANING + MAINTENANCE	18
UTENSILS	7	WARRANTY	20

# PRECAUTIONS TO AVOID POSSIBLE EXPOSURE TO EXCESSIVE MICROWAVE ENERGY

- (a) Do not attempt to operate this oven with the door open. Open-door operation can result in harmful exposure to microwave energy. Never defeat or tamper with the safety interlocks.
- (b) Do not place any object between the oven front face and the door or allow dirt or cleaner residue to accumulate on sealing surfaces.
- (c) Do not operate the oven if it is damaged. It is particularly important that the oven door close properly and that there is no damage to the:
  - (1) DOOR (bent)
  - (2) HINGES AND LATCHES (broken or loosened)
  - (3) DOOR SEALS AND SEALING SURFACES
- (d) The oven should not be adjusted or repaired by anyone except properly qualified service personnel.

## Specifications

Model:	XOOTR30LPS
Rated Voltage:	120V~60Hz
Rated Input Power(Microwave):	1550W
Rated Output Power(Microwave):	1000W
Oven Capacity:	1.2 cu ft
Turntable Diameter:	Ø 11-11/16"
External Dimensions:	29-7/8" x 19-1/2" x 10-9/32"
Net Weight:	Approx. 51 lbs

# IMPORTANT SAFETY INSTRUCTIONS

When using electrical appliances basic safety precautions should be followed, including:

**WARNING** - To reduce the risk of burns, electric shock, fire, injury to persons or exposure to excessive microwave energy:

1. Read all instructions before using the appliance.
2. Read and follow the section: "PRECAUTIONS TO AVOID POSSIBLE EXPOSURE TO EXCESSIVE MICROWAVE ENERGY" on the preceding page.
3. This appliance must be grounded. Connect only to properly grounded outlet. See "GROUNDING INSTRUCTIONS" on the following page.
4. Install or locate this appliance only in accordance with the provided installation instructions.
5. Some products such as whole eggs and sealed containers - for example, closed glass jars - are able to explode and should not be heated in this oven.
6. Use this appliance only for its intended use as described in the manual. This type of oven is specifically designed for residential use only to heat, cook or dry food and cooking ventilation.
7. As with any appliance, close supervision is necessary when used by children.
8. Do not operate this appliance if it has a damaged cord or plug, if it is not working properly, or if it has been damaged or dropped.
9. This appliance should be serviced only by qualified service personnel. Contact XO to find your nearest authorized service for examination, repair, or adjustment.
10. Do not cover or block any openings on the appliance.
11. Do not store this appliance outdoors. Do not use this product near water - for example; near a sink, in a wet basement, near a swimming pool, or similar location.
12. Do not immerse cord or plug in water.
13. Keep cord away from heated surfaces.
14. Do not let cord hang over the edge of a table or counter.
15. When cleaning the contacting surfaces of door and oven use only mild, nonabrasive soaps, or detergent applied with a sponge or soft cloth.
16. To reduce the risk of fire in the oven cavity:
  - 1). Do not overcook food. Carefully attend appliance when paper, plastic, or other combustible materials are placed inside the oven to facilitate cooking.
  - 2). Remove wire twist-ties from paper or plastic bag before placing bag in oven.
  - 3). If material inside of the oven ignites, keep oven door closed, turn the oven off, and disconnect the power cord, or shut off power at the fuse or circuit breaker panel.
  - 4). Do not use the cavity for storage purposes. Do not leave paper products, cooking utensils, or food in the cavity when not in use.
17. Liquids such as water, coffee, or tea are able to be overheated beyond the boiling point without appearing to be boiling. Visible bubbling or boiling when the container is removed from the microwave oven is not always present.

**THIS COULD RESULT IN VERY HOT LIQUID SUDDENLY BOILING OVER WHEN THE CONTAINER IS DISTURBED OR A UTENSIL IS INSERTED INTO THE LIQUID.**

# IMPORTANT SAFETY INSTRUCTIONS

## **17.** CONTINUED:

TO REDUCE THE RISK OF PERSONAL INJURY:

- 1) Do not overheat liquids.
- 2) Stir the liquid both before and halfway through heating it.
- 3) Do not use straight-sided containers with narrow necks.
- 4) After heating, allow the container to stand undisturbed in the microwave for a short time.
- 5) Use extreme care when inserting a spoon or other utensil into the container.

**18.** Clean the ventilation hood frequently - Grease should not be allowed to accumulate in the hood or filters.

**19.** When cooking under the hood - the fan should always be turned on.

**20.** The ventilation mesh filters are dishwasher safe for cleaning - alternately - soak the filters in warm soapy water and rinse clean. Do not use corrosive or lye-based oven cleaners which may damage the filters.

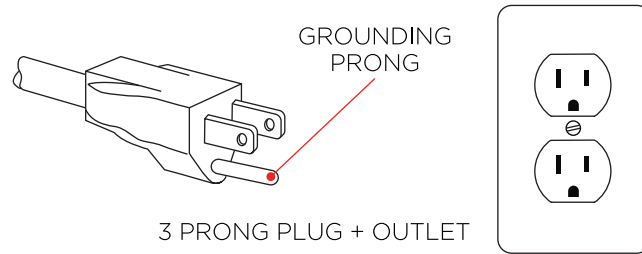
**21.** This unit is suitable for use above both gas or electric cooking surfaces.

# RADIO INTERFERENCE

- 1.** Operation of a microwave may cause interference to your radio, TV, or similar equipment
- 2.** When there is interference, it may be reduced or eliminated by taking the following measures:
  - 1) Clean door and sealing surface of the oven
  - 2) Reorient the receiving antenna of radio or television.
  - 3) Relocate the microwave oven with respect to the receiver.
  - 4) Move the microwave oven away from the receiver.
  - 5) Plug the microwave oven into a different outlet so that microwave oven and receiver are different branch circuits.

# SAVE AND FOLLOW THESE IMPORTANT GROUNDING INSTRUCTIONS

This appliance must be grounded. In the event of an electrical short circuit, Grounding reduces the risk of electric shock by providing an escape wire for the electric current. This appliance is equipped with a cord having a grounding wire with a third prong grounding plug. The plug must be plugged into an outlet that has been properly installed and grounded by a qualified electrician.



**WARNING** - Improper grounding can result in a risk of electric shock.

Consult a qualified electrician or serviceman if the grounding instructions are not completely understood, or if doubt exists as to whether the appliance is properly grounded.

This appliance was designed to be permanently installed and an extension cord should never be used in a permanent installation.

In the event that the unit is temporarily used in a non-permanent location, and if it is necessary to use an extension cord, use only a 3-wire extension cord that has a 3-blade grounded plug, and a properly grounded 3-slot receptacle that will accept the plug on the appliance.

The marked rating of the extension cord must be equal to or greater than the electrical rating of the appliance.

If a longer/extension cord is used care must be taken to ensure it will not drape over the counter top or tabletop where it can be pulled by children or create a trip hazard.

**DANGER** - Electric Shock Hazard

Touching some of the internal components can cause serious personal injury or death.

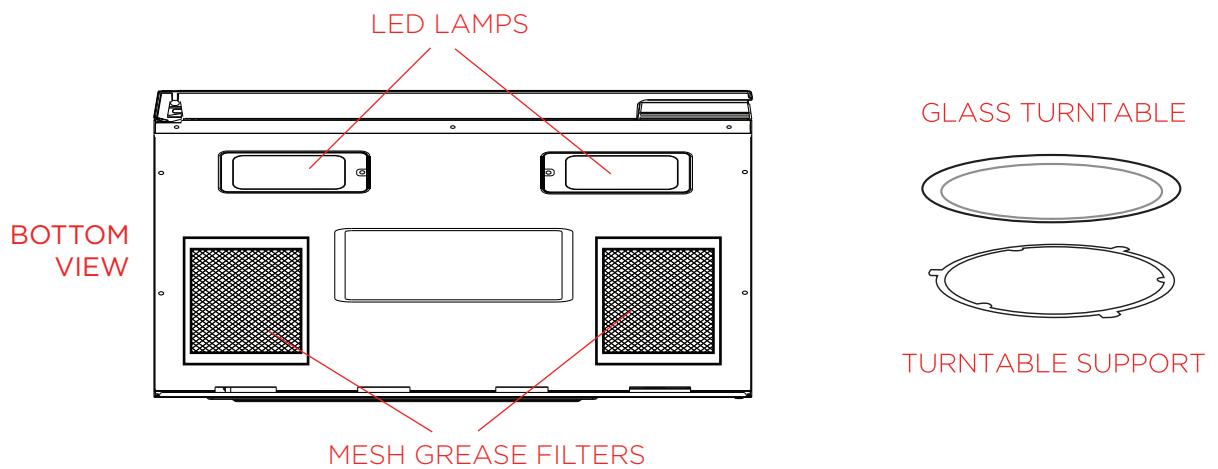
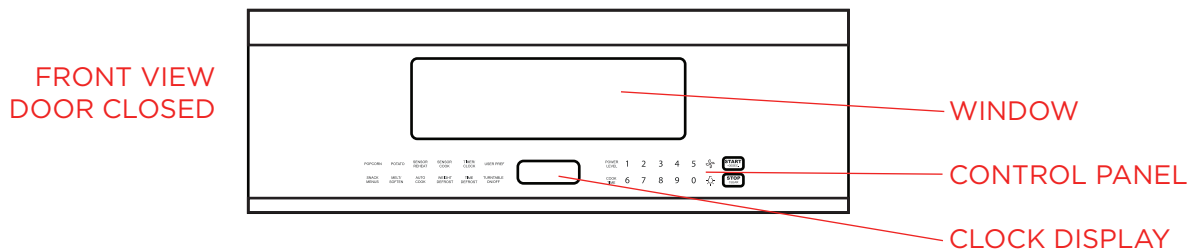
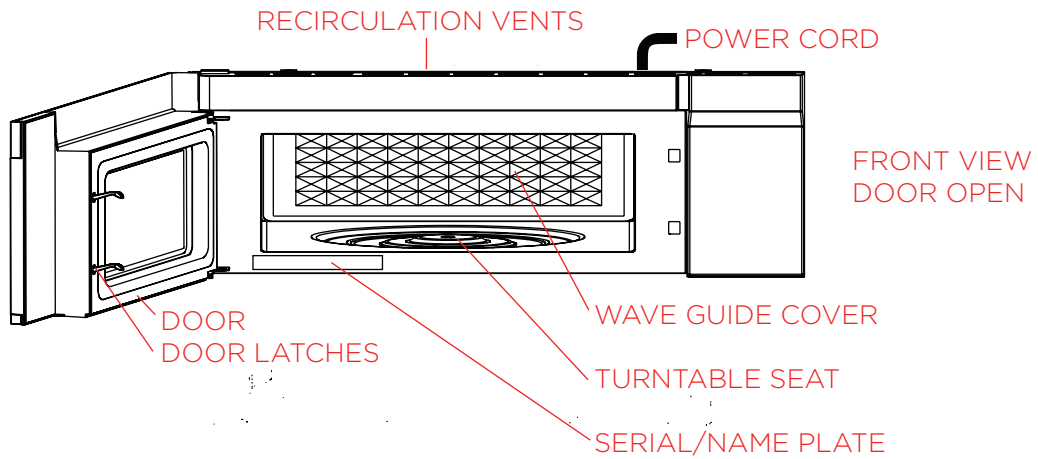
Do not disassemble this appliance.

**WARNING** - Electric Shock Hazard

Improper grounding can result in electric shock. Do not plug into an outlet until appliance is properly installed and grounded.

The unit comes pre-wired with a short power supply cord designed for a permanent installation above a range or cooktop.

# GET TO KNOW YOUR OVER-THE-RANGE MICROWAVE OVEN



# UTENSILS

## FOR MICROWAVE SAFE COOKING AND RE-HEATING USE:

Glass Ceramic (such as Corningware®)  
Heat Resistant Glass (such as Pyrex®)  
Microwave Safe Plastics  
Paper Plates  
Microwave Safe Stoneware / Pottery  
Browning Dishes (per mfrs instructions)

## NEVER USE IN YOUR MICROWAVE:

Metal Pans or Bakeware  
Dishes with Metallic Edging  
Non-Microwave-Safe Plastics  
Food Storage Bags  
Metal Twist Ties  
Brown Paper or Recycled Bags

Utensils made of wood, straw or wicker may be used for short term re-heating with foods low in fat or sugar. Should you wish to check if a dish is safe for microwaving, place the empty dish in the microwave oven and microwave on HIGH for 30 seconds. A dish which becomes very hot should not be used.

Paper Towels, Wax Paper and Microwave-Safe Lids are excellent choices to cover food while cooking. Plastic Wrap may also be used but it should touch the food being heated and must be vented to allow steam to escape. Microwave Oven Cooking Bags are good for large meats but must be slit to allow steam to escape.

## FOOD SAFETY - United States Department of Agriculture Recommended Temperatures

145°F (63°C)	Beef, Lamb, or Veal cut into steaks, chops, or roasts
160°F (71°C)	Pork, Ground Meat, Seafood, Eggs Dishes, or Frozen Prepared Foods
165°F (74°C)	Leftovers, Ready To Heat, Carry Out, Chicken, Turkey, or Ground Poultry

Cook whole poultry and stuffing separately - Stuffing should be cooked to 165 F.

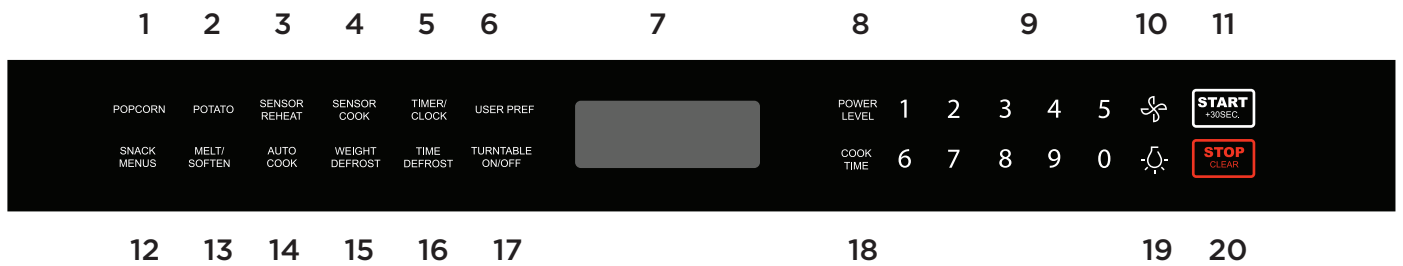
Temperature should be checked with a meat thermometer in a thick, dense area away from bone or fat. Never leave the thermometer in unless it is microwave approved.

## GENERAL SAFETY -

1. Always use pot holders when removing utensils from the microwave oven.
2. Avoid steam burns by lifting the farthest edge of a dish covering / open cooking bags away from the face and hands.
3. Do not leave the microwave operating unattended to prevent over cooking
4. Store and handle food carefully to minimize the spread of foodborne bacteria.
5. Keep the waveguide cover clean and free of debris which can cause arcing and fires.
6. Never store items in the microwaven oven when not in use.
7. Exercise care to avoid contacting the door latch while removing items from the oven.
8. Maintain at least 1" clearance from all sides and the top while cooking - nothing should contact the sides of the oven in operation.
9. Children should never be allowed to use the microwave oven without close supervision.

# GET TO KNOW YOUR OVER-THE-RANGE MICROWAVE OVEN

## THE CONTROL PANEL



- 1 POPCORN
- 2 POTATO
- 3 SENSOR REHEAT
- 4 SENSOR COOK
- 5 TIMER/CLOCK
- 6 USER PREF
- 7 DISPLAY WINDOW
- 8 POWER LEVEL
- 9 NUMBER INPUT
- 10 VENT FAN CONTROL
- 11 START/+30 SEC
- 12 SNACK MENUS
- 13 MELT/SOFTEN
- 14 AUTO COOK
- 15 WEIGHT DEFROST
- 16 TIME DEFROST
- 17 TURNTABLE ON/OFF
- 18 COOK TIME
- 19 LED LIGHT CONTROL
- 20 STOP/CANCEL



# GET TO KNOW YOUR OVER-THE-RANGE MICROWAVE OVEN

## OPERATION

POWER LEVEL - 11 Power levels are available (Level 11 is at 0% power)

LEVEL	1	2	3	4	5	6	7	8	9	10
POWER	100%	90%	80%	70%	60%	50%	40%	30%	20%	10%
DISPLAY	PL-HI	PL-90	PL-80	PL-70	PL-60	PL-50	PL-40	PL-30	PL-20	PL-10

## POWER ON

When the microwave oven is powered up, the screen will display "12:00 PRESS CLOCK ENTER TIME ". The buzzer will ring once. Press number keys to set clock or press "STOP/Cancel " to exit clock setting mode. If there is no input within 5 minutes, the oven will enter a waiting state.

**CLOCK** - The clock can be set for 12 hour or 24 hour mode

While in a waiting state, press "TIMER/CLOCK" twice.

The display will read: ENTER TIME 12:00

Press the number keys and enter the correct time. (ex. 1,0,1,2 = 10:12)

Press "START/+30 SEC" button to confirm setting.

## KITCHEN TIMER

Press "TIMER/CLOCK" once, "ENTER TIME" will blink in the display.

Using the number keys, enter the timer setting (Maximum is 99 Minutes + 99 Seconds)

Press "START/+30 SEC" to confirm setting - The timer will begin counting down.

## TIMED COOKING

Press "COOK TIME", the display will read: "ENTER COOK TIME".

Press "POWER LEVEL" repeatedly to select power level (Default is PL-HI, 100%)

Press "START/+30 SEC" to start cooking.

# GET TO KNOW YOUR OVER-THE-RANGE MICROWAVE OVEN

## OPERATION - continued

### POPCORN

Press "POPCORN", "3.3 oz" and the "Press again for options" icon are displayed.

Press "POPCORN" again and it will display "3.0 oz"

To select either size, Press "START/+30SEC" when that option is displayed.

### POTATO

Press "POTATO"

Press "START/+30SEC".

### SENSOR COOK

Press "SENSOR COOK" until your section is displayed.

- 
- |    |   |
|----|---|
| 1x | "BACON" is displayed, to select, press "START/+30SEC".<br>Select 1 - 3 Slices - Press "START/+30SEC" again.           |
| 2x | "FROZEN DINNER" is displayed, to select, press "START/+30SEC".<br>Select 10oz or 20oz - Press "START/+30SEC" again.   |
| 3x | "RICE" is displayed, to select, press "START/+30SEC".<br>Select 1 or 2 Cups - Press "START/+30SEC" again.             |
| 4x | "FROZEN BREAKFAST" is displayed, to select, press "START/+30SEC".<br>Select 8oz or 12oz - Press "START/+30SEC" again. |
| 5x | "FRESH VEGGIES" is displayed, to select, press "START/+30SEC".<br>Select 1 - 4 cups - Press "START/+30SEC" again.     |
| 6x | "FROZEN VEGGIES" is displayed, to select, press "START/+30SEC".<br>Select 1 - 4 cups - Press "START/+30SEC" again.    |

### SENSOR REHEAT

Press "SENSOR COOK" until your section is displayed.

- 
- |    |   |
|----|---|
| 1x | "BEVERAGE" is displayed, to select, press "START/+30SEC".<br>Select 1 - 3 cups - Press "START/+30SEC" again.            |
| 2x | "SOUP/SAUCE" is displayed, to select, press "START/+30SEC".<br>1 cup - Press "START/+30SEC" again.                      |
| 3x | "DINNER PLATE" is displayed, to select, press "START/+30SEC".<br>Select 1 or 2 plates - Press "START/+30SEC" again.     |
| 4x | "CASSEROLE/LASANGNA" is displayed, to select, press "START/+30SEC".<br>Select 8oz or 12oz - Press "START/+30SEC" again. |
| 5x | "ROLL/MUFFIN" is displayed, to select, press "START/+30SEC".<br>Select quantity 1 - 3 - Press "START/+30SEC" again.     |

# GET TO KNOW YOUR OVER-THE-RANGE MICROWAVE OVEN

## OPERATION - continued

### MELT/SOFTEN

Press "MELT/SOFTEN" until your section is displayed.

- 
- |    |  |
|----|--|
| 1x | "MELT BUTTER" is displayed, to select, press "START/+30SEC".<br>Select 1 or 2 sticks - Press "START/+30SEC" again.           |
| 2x | "MELT CHOCOLATE" is displayed, to select, press "START/+30SEC".<br>Select 2, 4 or 8oz - Press "START/+30SEC" again.          |
| 3x | "SOFTEN ICE CREAM" is displayed, to select, press "START/+30SEC".<br>Select Pint or 1.5 Quarts - Press "START/+30SEC" again. |
| 4x | "SOFTEN CREAM CHEESE" is displayed, to select, press "START/+30SEC".<br>Select 3oz or 8oz - Press "START/+30SEC" again.      |
- 

### SNACK MENU

Press "SNACK MENU" until your section is displayed.

- 
- |    |  |
|----|--|
| 1x | "HOT DOGS" is displayed, to select, press "START/+30SEC".<br>Select 1 - 6 - Press "START/+30SEC" again.  |
| 2x | "MEAL IN A CUP" is displayed, to select, press "START/+30SEC".<br>2.9oz - Press "START/+30SEC" again.    |
| 3x | "FROZEN KIDS MEAL" is displayed, to select, press "START/+30SEC".<br>8.8oz - Press "START/+30SEC" again. |
- 

### MUTI-STAGE COOK

Multi-stage cooking is only available when defrosting first, then cooking.

Enter "COOK TIME" using the number keys, ex: "130" is 1 min 30 sec, press "START/+30SEC".

"POWER LEVEL" is at 100% "P-HI", press "START/+30SEC".

Press "POWER LEVEL" twice or press 2 on the control panel.

Power level "P-20" will be displayed.

Press "WEIGHT DEFROST", "ENTER WEIGHT" will be displayed.

Enter the weight of the item to be defrosted to the closest 1/10 of a lb. (ex: 1 lb 8oz = 1.5 lbs)

Press "START/+30SEC"

### MUTI-STAGE COOK

Press "WEIGHT DEFROST", "ENTER WEIGHT" will be displayed.

Enter the weight of the item to be defrosted to the closest 1/10 of a lb. (ex: 1 lb 8oz = 1.5 lbs)

Press "START/+30SEC"

# GET TO KNOW YOUR OVER-THE-RANGE MICROWAVE OVEN

## OPERATION - continued

### TIME DEFROST

Press "TIME DEFROST", "ENTER TIME" will be displayed.

Enter the time to be defrosted in minutes and seconds.

Press "START/+30SEC"

### OPERATING TIPS:

For best results remove seafood, meat, or poultry from its original paper or plastic packaging before microwaving.

Roll ground meat into a ball before freezing. During the defrost cycle, the microwave will signal when it is time to remove any excess frost, turn the meat over and continue defrosting.

Place foods in a shallow container or on a microwave safe roasting rack to catch drippings.

### WEIGHT CONVERSION TABLE

To convert ounces to a decimal equivalent use this handy table. If the weight lies between two decimal weights - use the lower of the two.

OUNCES	DECIMAL WEIGHT	OUNCES	DECIMAL WEIGHT
1.6	.10	9.6	.60
3.2	.20	11.2	.70
4.0	.25 (quarter lb)	12.0	.75 (three quarter lb)
4.8	.30	12.8	.80
6.4	.40	14.4	.90
8.0	.50 (half lb)	16.0	1.0 (one lb)

# GET TO KNOW YOUR OVER-THE-RANGE MICROWAVE OVEN

## OPERATION - continued

### AUTO COOK

Press "AUTO COOK" until your section is displayed.

---

1x	"SCRAMBLED EGGS" is displayed, to select, press "START/+30SEC". Select 1 - 6 eggs - Press "START/+30SEC" again.
2x	"HOT CEREAL" is displayed, to select, press "START/+30SEC". Select 1 - 3 servings - Press "START/+30SEC" again.
3x	"FROZEN PIZZA" is displayed, to select, press "START/+30SEC". Select 1 - 3 (4 oz) pieces - Press "START/+30SEC" again.
4x	"FUDGE BROWNIES" is displayed, to select, press "START/+30SEC". Select 1 - 3 (4 oz) pieces - Press "START/+30SEC" again.
5x	"GARLIC SHRIMP" is displayed, to select, press "START/+30SEC". Per recipe - Press "START/+30SEC" again.
6x	"STUFFED MUSHROOMS" is displayed, to select, press "START/+30SEC". Per recipe - Press "START/+30SEC" again.
7x	"ASIAGO RED POTATOES" is displayed, to select, press "START/+30SEC". Per recipe - Press "START/+30SEC" again.
8x	"ROASTED VEGETABLE MEDLEY" is displayed, to select, press "START/+30SEC". Per recipe - Press "START/+30SEC" again.
9x	"LEMON SHRIMP RISOTTO" is displayed, to select, press "START/+30SEC". Per recipe - Press "START/+30SEC" again.

---

### SPEED COOKING

Press the number pads "1 - 9" to begin cooking at maximum power (100% P - HI)  
The oven door must be opened and closed within 5 minutes before Speed Cooking.  
After you have entered the number of minutes desired, Press "START/+30SEC".

# GET TO KNOW YOUR OVER-THE-RANGE MICROWAVE OVEN

## **OPERATION - continued**

### **USER PREF**

Press "USER PREF" until your section is displayed.

- 1x "VOLUME" is displayed, allowing you to control the volume.  
Select "VOLUME LOW", "VOLUME MED", "VOLUME HIGH" and "VOLUME OFF"  
After selecting, press "START/+30SEC".
  
- 2x "LB/KG" is displayed, allowing you to select between pounds or grams  
After selecting, press "START/+30SEC".
  
- 3x "CLOCK DISPLAY ON/OFF" is displayed, allowing the clock display to be turned on or off. After selecting, press "START/+30SEC".
  
- 4x "DEMO MODE" is displayed, allowing demo mode to be turned on or off.  
After selecting, press "START/+30SEC".

### **CHILD LOCK**

To activate the "CHILD LOCK", press and hold the "STOP/CANCEL" button for 3 seconds.

To release the "CHILD LOCK", press and hold the "STOP/CANCEL" button for 3 seconds.

### **ECO MODE**

"ECO MODE" shuts the display screen off and places it in standby.

To activate "ECO MODE", press the "STOP/CANCEL" button when the microwave is idle.

To release "ECO MODE", open the door or press any keys.

# GET TO KNOW YOUR OVER-THE-RANGE MICROWAVE OVEN

## OPERATION - continued

### AUTO DEFROST TABLES

**NOTE:** Irregular shaped and large, fatty cuts of meat should have the narrow or fatty areas shielded with foil at the beginning of the defrost sequence..

MEAT SETTING	BEEF	Ground Beef (bulk)	Remove thawed portions, turn and return to oven.	Do not defrost less than 1/4lb. Freeze in ball shape.
		Ground Beef (patties)	Separate and rearrange.	Do not defrost less than 2oz patties. Freeze in ball shape.
		Round Steak	Turn over, cover warm areas with aluminum foil.	Place in microwave safe dish.
		Tenderloin Steak	Turn over, cover warm areas with aluminum foil.	Place in microwave safe dish.
		Stew Beef	Remove thawed portions, separate the remainder.	Place in microwave safe dish.
		Pot Roast (chuck)	Return the remainder to oven.	Place in microwave safe dish.
		Rib Roast	Turn over, cover warm areas with aluminum foil.	Place in microwave safe dish.
	Rolled Rump Roast	Turn over, cover warm areas with aluminum foil.	Place in microwave safe dish.	
	LAMB	Cubes for Stew	Turn over, cover warm areas with aluminum foil.	Place in microwave safe dish.
		Chops (1" thick)	Remove thawed portions, Return the remainder to oven.	Place in microwave safe dish.
Chops (1/2" thick)		Separate and rearrange.	Place in microwave safe dish.	
PORK	Hot Dogs	Separate and rearrange.	Place in microwave safe dish.	
	Ribs (Country Style)	Turn over, cover warm areas with aluminum foil.	Place in microwave safe dish.	
	Sausage (links)	Separate and rearrange.	Place in microwave safe dish.	
	Sausage (bulk)	Remove thawed portions, turn and return to oven.	Place in microwave safe dish.	
Loin Roast (boneless)	Turn over, cover warm areas with aluminum foil.	Place in microwave safe dish.		

# GET TO KNOW YOUR OVER-THE-RANGE MICROWAVE OVEN

## OPERATION - continued

### AUTO DEFROST TABLES

POULTRY SETTING	CHICKEN	Chicken (whole)	Turn over, breast side down cover warm areas with aluminum foil.	Place chicken breast side up in a microwave safe dish initially. Finish defrosting by immersing in cold water. Remove giblets when partially defrosted.
		Chicken (parts)	Separate and rearrange. Turn over, cover warm areas with aluminum foil.	Place in microwave safe dish. Finish defrosting by immersing in cold water.
	TURKEY	Cornish hen (whole)	Turn over, breast side down cover warm areas with aluminum foil.	Place in microwave safe dish. Finish defrosting by immersing in cold water.
		Turkey breast (up to 6lbs)	Turn over, cover warm areas with aluminum foil.	Place in microwave safe dish. Finish defrosting by immersing in cold water.

### DEFROSTING TIPS - IMPORTANT

Using Auto Defrost - enter the weight in pounds and tenths of a pound minus the container.

Remove all metal twist ties and replace them with rubber bands or string.

Open cartons before placing them in the oven.

Slit or pierce plastic pouches or packaging.

Remove any foil wrapping and place in a microwave safe container.

Slit the skin of skinned food, such as sausage.

Bend plastic pouches of food to ensure even defrosting.

Underestimate defrosting time - you can always return it to the oven for more defrosting.

Time required will depend on how solidly the food is frozen.

Shallow packages will defrost faster than thick blocks.

As food defrosts, separate pieces. This will make defrosting easier.

Use small pieces of aluminum foil to shield parts of food such as chicken wings, leg tips, fish tails, or areas that start to warm up rapidly.

**Do not allow the foil to touch the sides, top or bottom of the oven - damage to the lining may occur.**

For better results, let food stand after defrosting.

Turn food over during defrosting - separate or remove thawed food as required.



# GET TO KNOW YOUR OVER-THE-RANGE MICROWAVE OVEN

## **OPERATION - ventilation + lights**

### **12. VENTILATION FAN**

Your ventilation fan will move 300 CFM at HIGH speed and 105 CFM at LOW speed and may be installed to vent outside or to recirculate the exhaust back into the kitchen.

- 1) Press “VENT-HI-LO-OFF” once. The screen will display “HIGH”
- 2) Press “VENT-HI-LO-OFF” twice. The screen will display “LOW”
- 3) Press “VENT-HI-LO-OFF” three times. The screen will display “OFF”

The oven will return to standby mode after 2 seconds.

### **13. COOKTOP ILLUMINATION**

Your Over-The-Range Microwave Oven is equipped with two level LED lighting to illuminate the cooking surface below brilliantly.

- 1) Press “LIGHT ON/OFF” once. Lighting will be set for “HIGH”
- 2) Press “LIGHT ON/OFF” twice. Lighting will be set for “LOW”
- 3) Press “LIGHT ON/OFF” three times. The light will be turned “OFF”

### **14. TURNTABLE ON/OFF**

For best results leave the turntable on during cooking.

For large dishes, to turn the turntable off and back on:

- 1) Press “TURNTABLE ON/OFF” once. The screen will display “OFF” for 2 seconds.
- 2) Press “TURNTABLE ON/OFF” again. The screen will display “ON” for 2 seconds.

### **15. INFORMATION**

During cooking, Press “CLOCK” and the current time will be displayed for 2 seconds.

During cooking, Press “POWER LEVEL” and the power level will be displayed for 2 seconds.

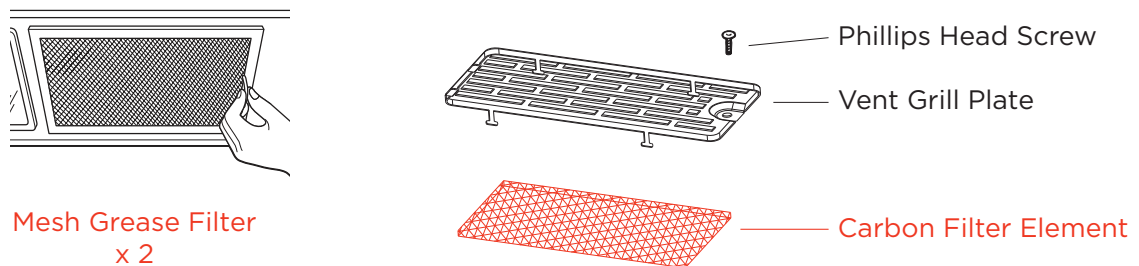
# A LITTLE TLC

## CLEANING + MAINTENANCE - ventilation

### GREASE FILTERS:

Your XO unit comes with aluminum mesh grease filters which should be cleaned often - at least once a month as a general rule (more frequently if used heavily).

- 1) Using the metal ring tab - push the filter toward the back of the unit and pull down gently to remove.
- 2) Soak the filters in hot water with a mild detergent to loosen grease. Do not use ammonia or harsh chemicals.
- 3) Rinse clean with hot water and shake to remove the majority of water.
- 4) Allow to air dry before reinstalling.
- 5) Before replacing the filters, clean the underside of the unit with a degreasing cleaner.
- 6) Reinstall by inserting the back edge first and pressing gently up and in.



### CHARCOAL FILTER (recirculating only)

Your unit comes with charcoal filters installed. If your XO is vented outside, this is not required. However if you are using your XO in a ventless, recirculating mode, this filter must be changed periodically at least every 6 months. More frequently if required by your style of cooking. It cannot be cleaned and must be replaced.

To change the charcoal filter:

Disconnect the power by unplugging or at the circuit breaker or fuse box.

Using a #1 phillips head screwdriver, remove the screws holding the Vent Grill Plates in place.

Remove the old Carbon Filter Elements, wipe the Vent Plates clean and install the new Carbon Filter Elements.

Replace the Vent Grill Plates and fasten in place using the screws removed in step 2.

Reconnect the power.

# A LITTLE TLC

## **CLEANING- microwave oven**

### EXTERIOR:

Clean the exterior of you XO microwave oven with mild soap and water, then rinse and dry with a soft cloth. **Never use household or abrasive cleaners or scouring pads.**

### DOOR:

Disconnect the power first to prevent accidentally activating different functions.

Wipe the window on both sides with a soft cloth to remove any spills or food spatter.

Metal parts are much easier to maintain if wiped clean frequently with a soft cloth.

Do not use spray or harsh cleaners which may stain, streak or dull the finish.

### INTERIOR:

Because microwave interiors do heat up like a conventional oven spills and spatter do not get baked on making them easier to remove. Clean the interior by wiping down interior surfaces with a soft cloth and warm water. **Never use household or abrasive cleaners or scouring pads.** For heavier spills, use baking soda or a mild soap, taking care to rinse the area thoroughly afterwards with hot water on a soft cloth.

### WAVEGUIDE COVER: **NOTE - NEVER REMOVE THE WAVEGUIDE COVER**

The wave guide cover is made of mica, a naturally occurring mineral. Exercise care when cleaning as mica is fragile. Remove any food spatters as soon as they occur to ensure product safety and peak performance. Carefully wipe away any food splatters on the cover with a damp soft cloth.

**Excessive build up of material on the wave guide cover can smoke or catch fire.**

### ODOR REMOVAL

For removal of persistent odors, mix 1 cup of water with the juice and peel of a lemon and several whole cloves. Boil at 100% power for several minutes and allow to cool. Then remove and wipe interior dry.

### TURNTABLE + TURNTABLE SUPPORT RING

These are easily removed for cleaning and dishwasher safe (top rack).

**NOTE:** The turntable motor shaft is not sealed. Wipe up spills immediately to prevent liquid from leaking down into the motor.

## WHY CHOOSE XO

INNOVATION • TOP DESIGN • ADVANCED TECHNOLOGY  
CREATIVE THINKING • EXTRAORDINARY CUSTOMER SERVICE

More than a brand - XO is a customer experience

---

We decided to develop a new company with a goal of 100% customer satisfaction. From beginning to end, XO will deliver more. We will be here to help specify and design the right ventilation for your home. We are ventilation experts.

All XO quality products are backed by an unmatched, comprehensive warranty program.

Problems happen, they always do. It could be a dent while handling, a defective part or an improper installation.

- Don't worry XO will be there to help resolve the issue. Your total satisfaction is our main concern.

Be believe in extraordinary customer service with a personal touch. We are putting into practice our vision of becoming the most innovative, customer oriented appliance company in the world.

---

Your New XOOTR24BS is backed by  
One Year Parts and Labor Warranty on our Performance Collection



PERFORMANCE  
COLLECTION



For 90 days, our products  
are backed by our unique  
Love It or Leave It Guarantee

and our unmatched, 90 Day Love It or Leave It Guarantee on all XO Ventilation

---

STILL HAVE QUESTIONS - OR -  
NEED WORLD CLASS SERVICE  
**JUST CALL 973-403-8900**  
AND PUT DECADES OF EXPERIENCE  
TO WORK FOR YOU...

Thanks and  
Welcome to  
XO...

**XO**

Take just a minute to record you model number and serial number here, just in case

M#

S#

# EVERY THING YOU NEED TO KNOW TO INSTALL YOUR



OVER-THE-RANGE  
MICROWAVE OVEN

XO

I worked really hard  
on this manual -  
so please read it...

## BEFORE YOU BEGIN INSTALLING YOUR MODEL XOOTR30BS

Read these instructions completely and carefully.

- **IMPORTANT** - Save these instructions for the local inspector's use.
- **IMPORTANT** - Observe all governing codes and ordinances.
- **Note To Installer** - Be sure to leave these instructions with the consumer.
- **Note To Consumer** - Keep these instructions for the future reference.
- **Skill Level** - Installation of this appliance requires basic mechanical and electrical skills.
- Proper Installation is the responsibility of the installer.
- Product failure due to improper installation is not covered by the warranty.

QUESTIONS - CALL XO AT 973-403-8900  
WWW.XOAPPLIANCE.COM

March 2022

# Installation Instructions

## CONTENTS

### General information

Important Safety Instructions .....	3
Electrical Requirements .....	3
Damage – Shipment/Installation.....	4
Parts Included.....	4
Tools You Will Need .....	5
Mounting Space .....	5

### Step-by-step installation guide

Placement of The Mounting Plate .....	6–8
Removing the Mounting Plate .....	6
Finding the Wall Studs.....	6
Determining Wall Plate Location .....	7
Aligning the Wall Plate .....	8
Installation Types.....	9–22
Hood Exhaust .....	10–11

<b>A</b> Recirculation.....	10-12
Attach Mounting Plate to Wall.....	10
Preparation of Top Cabinet.....	11
Check Blower Plate .....	11
Mount the Microwave Oven .....	11-12
Installing or Changing the Charcoal Filter.....	12

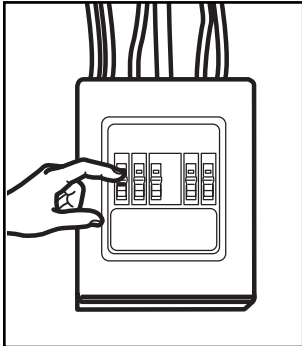
<b>B</b> Outside Back Exhaust.....	15–18
Preparing Rear Wall for Outside Back Exhaust.....	15
Remove Blower Plate.....	15
Attach Mounting Plate to Wall .....	16
Preparation of Top Cabinet .....	16
Adapting Microwave Blower for Outside Back Exhaust.....	16–17
Mount the Microwave Oven .....	18

<b>C</b> Outside Top Exhaust.....	19-22
Attach Mounting Plate to Wall.....	19
Preparation of Top Cabinet .....	20
Adapting Microwave Blower for Outside Top Exhaust.....	20 - 21
Checking for Proper Damper Operation .....	21
Mount the Microwave Oven .....	21 - 22
Adjust the Exhaust Adaptor .....	22
Connecting Ductwork .....	22
Before You Use Your Microwave .....	23
Template Information.....	24

# Installation Instructions

## IMPORTANT SAFETY INSTRUCTIONS

This product requires a three-prong grounded outlet. The installer must perform a ground continuity check on the power outlet box before beginning the installation to ensure that the outlet box is properly grounded. If not properly grounded, or if the outlet box does not meet electrical requirements noted (under ELECTRICAL REQUIREMENTS), a qualified electrician should be employed to correct any deficiencies.



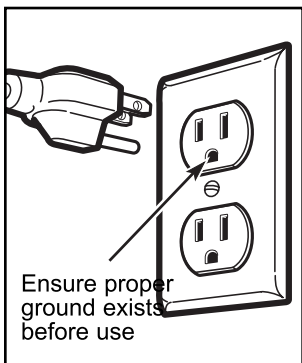
**CAUTION:** For personal safety, remove house fuse or open circuit breaker before beginning installation to avoid severe or fatal shock injury.

**CAUTION:** For personal safety, the mounting surface must be capable of supporting the cabinet load, in addition to the added weight of this 63–85 pound (28.5–38.5 kg) product, plus additional oven loads of up to 50 pounds (22.7 kg) or a total weight of 113–135 pounds (51.3–61.2 kg).

**CAUTION:** For personal safety, this product cannot be installed in cabinet arrangements such as an island or peninsula. It must be mounted to BOTH a top cabinet AND a wall.

**NOTE:** For easier installation and personal safety, it is recommended that two people install this product.

**IMPORTANT – PLEASE READ CAREFULLY. FOR PERSONAL SAFETY, THIS APPLIANCE MUST BE PROPERLY GROUNDED TO AVOID SEVERE OR FATAL SHOCK.**



The power cord of this appliance is equipped with a three-prong (grounding) plug which mates with a standard three-prong (grounding) wall receptacle to minimize the possibility of electric shock hazard from this appliance.

You should have the wall receptacle and circuit checked by a qualified electrician to make sure the receptacle is properly grounded.

Where a standard two-prong wall receptacle is encountered, it is very important to have it replaced with a properly grounded three-prong wall receptacle, installed by a qualified electrician.

**DO NOT, UNDER ANY CIRCUMSTANCES, CUT, DEFORM OR REMOVE ANY OF THE PRONGS FROM THE POWER CORD. DO NOT USE WITH AN EXTENSION CORD.**

## ELECTRICAL REQUIREMENTS

Product rating is 120 volts AC, 60 Hertz, 15 amps, 1.6 kilowatts. This product must be connected to a separate and dedicated supply circuit of the proper voltage and frequency. Wire size must conform to the requirements of the National Electrical Code or the prevailing local code for this kilowatt rating.

The power supply cord and plug should be brought to a separate and dedicated 15- to 20- ampere branch circuit single grounded outlet. The outlet box should be located in the cabinet above the microwave oven. The outlet box and supply circuit should be installed by a qualified electrician and conform to the National Electrical Code or the prevailing local code.


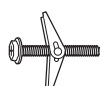


# Installation Instructions

## DAMAGE—SHIPMENT/ INSTALLATION

- If the unit is damaged in shipment, return the unit to the store in which it was bought for repair or replacement.
- If the unit is damaged by the customer, repair or replacement is the responsibility of the customer.
- If the unit is damaged by the installer (if other than the customer), repair or replacement must be made by arrangement between customer and installer.

## PARTS INCLUDED



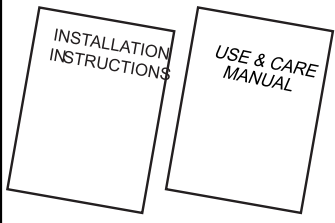
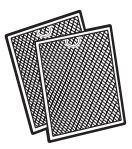
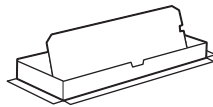


### HARDWARE PACKET

PART		QUANTITY
	Wood Screws ( $\frac{1}{4}$ " x 2")	2
	Toggle Bolts (and wing nuts) ( $\frac{3}{16}$ " x 3")	2
	Self-Aligning Machine Screws ( $\frac{1}{4}$ "-28 x $3\frac{1}{4}$ ")	3
	Nylon Grommet (for metal cabinets)	1

You will find the installation hardware contained in a packet with the unit. Check to make sure you have all these parts.

NOTE: Some extra parts are included.

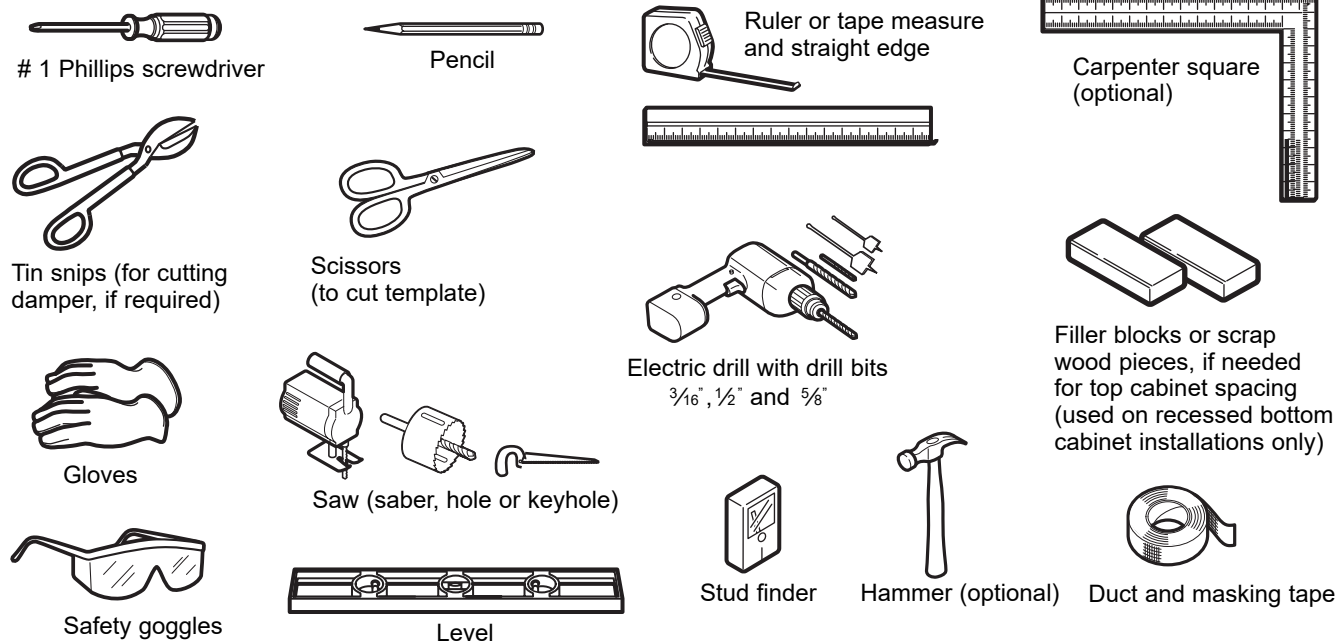
## PARTS INCLUDED (CONT.) ADDITIONAL PARTS

PART		QUANTITY
	Top Cabinet Template	1
	Rear Wall Template	1
	Installation Instructions	1
	Use & Care Manual	1
	Separately Packed Grease Filters	2
	Exhaust adaptor	1
	Glass Tray	1
	Turntable Ring	1

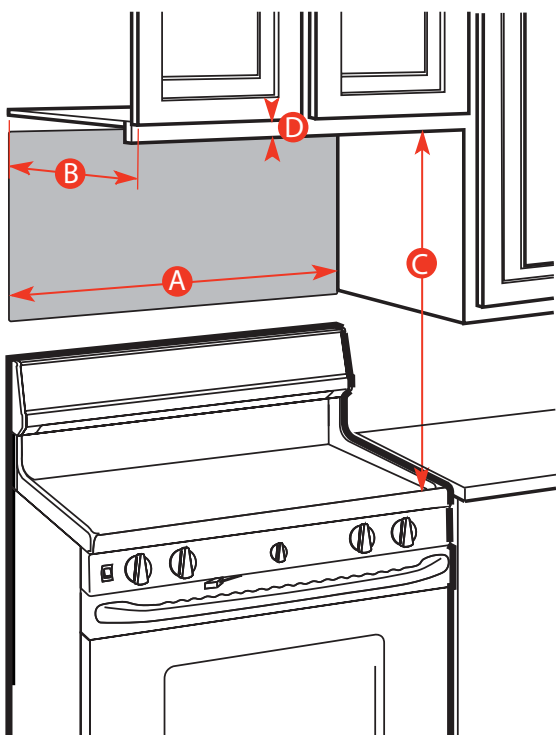


# Installation Instructions

## TOOLS YOU WILL NEED

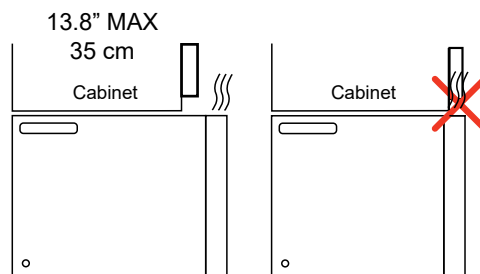


## MOUNTING SPACE



**A 30"** Space between cabinets must be 30" (76.2 cm) and unobstructed

**B 13.8"** If the cabinet depth is more than 13.8" (35 cm) the unit must be spaced out from the wall using materials sufficient to support 150lbs (68.2 kg) for top venting



**C 24"** Minimum height above cooking surface

**D 1/4"** Minimum clearance for cabinet door

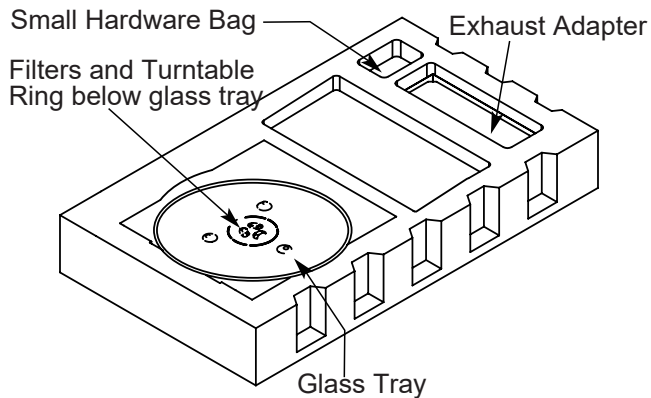
- SEE PAGE FOR MOUNTING TEMPLATE
- FOLLOW INSTRUCTIONS ON TEMPLATE FOR POWER CORD CLEARANCE
- IF VENTING OUTSIDE - SEE HOOD EXHAUST SECTION

# Installation Instructions

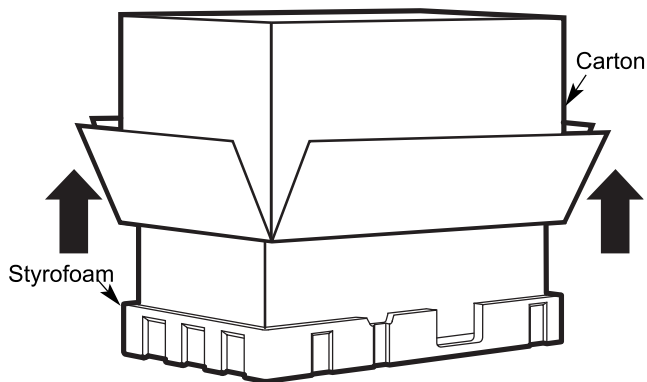
## 1 PLACEMENT OF THE MOUNTING PLATE

### A. REMOVING THE MICROWAVE OVEN FROM THE CARTON/ REMOVING THE MOUNTING PLATE

- 1 Remove the installation instructions, use and care, exhaust adapter, turntable ring, shelf, filters, glass tray and the small hardware bag. Do not remove the Styrofoam protecting the front of the oven.

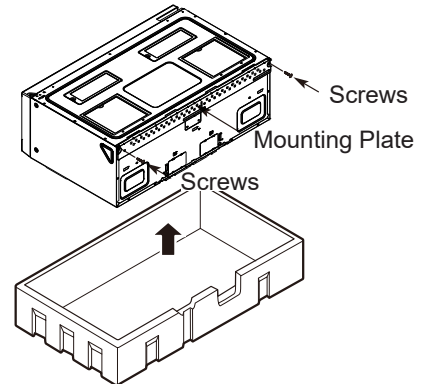


- 2 Fold back all 4 carton flaps fully against carton sides. Then carefully roll the oven and carton over onto the top side. The oven should be resting in the Styrofoam.



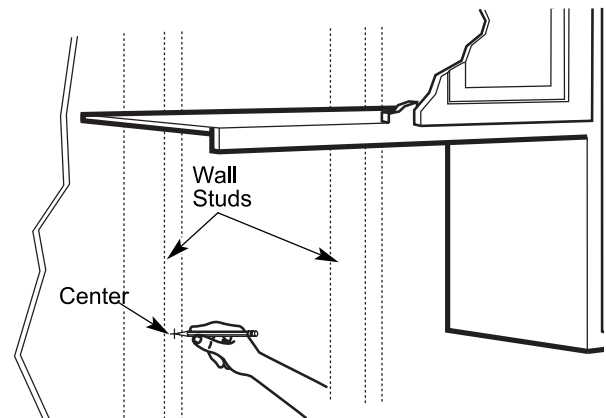
- 3 Pull the carton up and off the oven.

- 4 Cut the middle of the outer protective plastic bag to remove the mounting plate



- 5 Remove the screws from each end of the mounting plate. The plate will be used as a rear wall template and for mounting. Reinstall the screws in the holes where they were removed.

### B. FINDING THE WALL STUDS



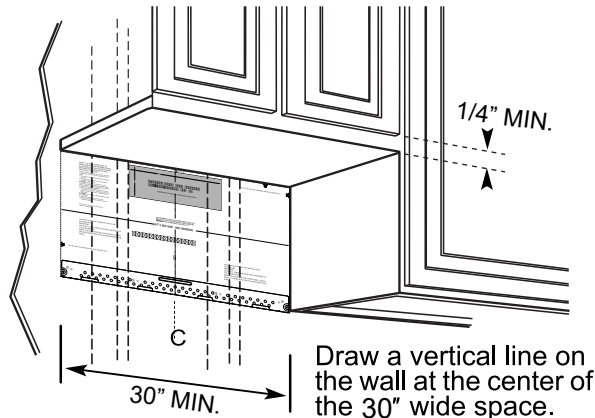
- 1 Find the studs, using one of the following methods:
  - A. Stud finder – a magnetic device which locates nails.
  - B. Use a hammer to tap lightly across the mounting surface to find a solid sound. This will indicate a stud location.
- 2 After locating the stud(s), find the center by probing the wall with a small nail to find the edges of the stud. Then place a mark halfway between the edges. The center of any adjacent studs should be 16" (40.6 cm) or 24" (61 cm) from this mark.
- 3 Draw a line down the center of the studs.

**THE MICROWAVE MUST BE CONNECTED TO AT LEAST ONE WALL STUD.**

# Installation Instructions

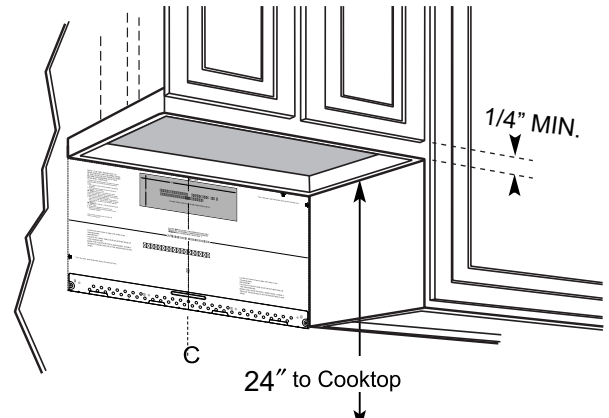
## C. DETERMINING WALL PLATE LOCATION UNDER YOUR CABINET

Plate position - beneath flat bottom cabinet



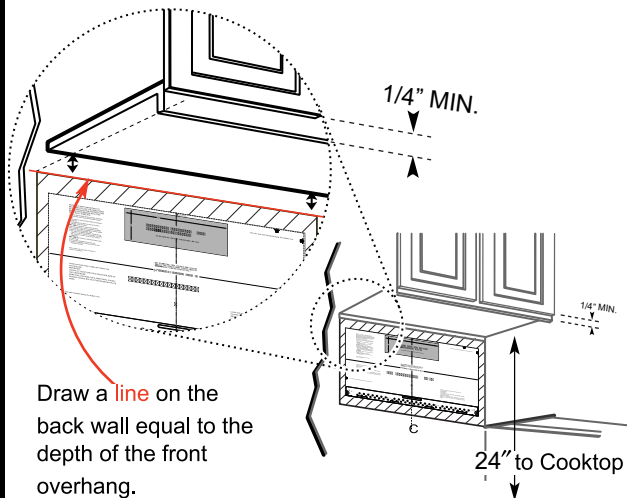
Draw a vertical line on the wall at the center of the 30" wide space.  
Tape the Rear Wall Template onto the wall matching the centerline and touching the bottom of the cabinet.

Plate position - beneath framed recessed cabinet bottom



Draw a vertical line on the wall at the center of the 30" space.  
Tape the Rear Wall Template onto the wall matching the centerline and touching the bottom cabinet frame.

Plate position - beneath recessed bottom cabinet with front overhang



Draw a **line** on the back wall equal to the depth of the front overhang.

Your cabinets may have decorative trim that interferes with the microwave installation. Remove the decorative trim to install the microwave properly and to make it level.

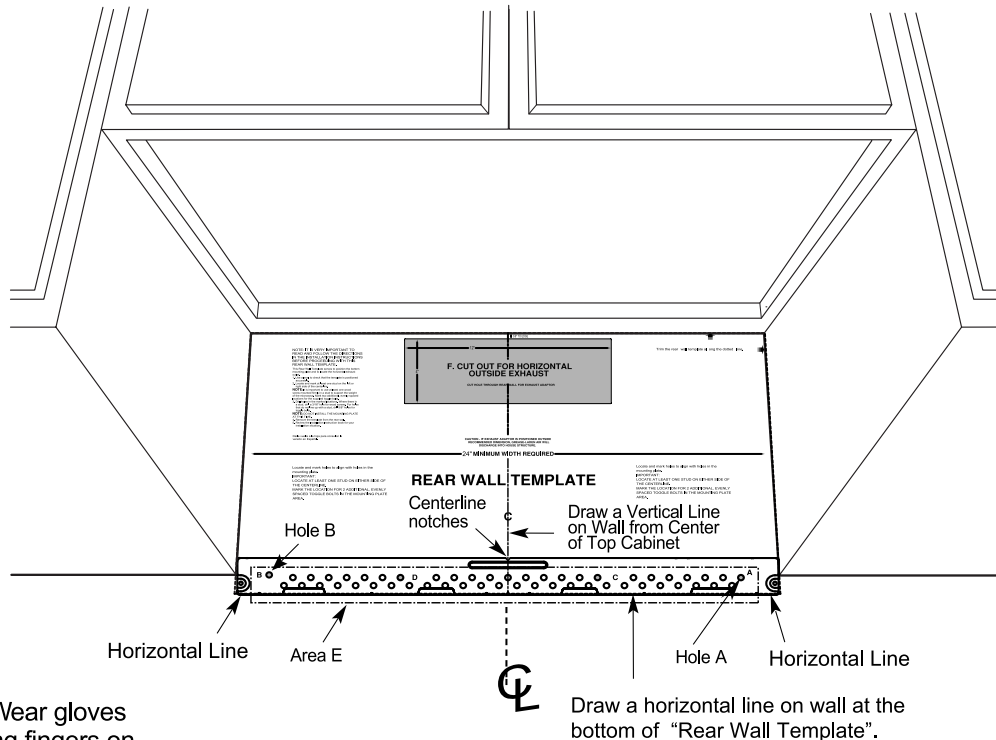
### THE MICROWAVE MUST BE LEVEL.

Use a level to make sure the cabinet bottom is level. If the cabinets have a front overhang only, with no back or side frame, install the mounting plate down the same distance as the front overhang depth. This will keep the microwave level.

- 1 Measure the inside depth of the front overhang.
- 2 Draw a horizontal line on the back wall an equal distance below the cabinet bottom as the inside depth of the front overhang.
- 3 For this type of installation with front overhang only, align the mounting tabs with this horizontal line, not touching the cabinet bottom as described in Step D.

# Installation Instructions

## D. ALIGNING THE WALL PLATE



**CAUTION:** Wear gloves to avoid cutting fingers on sharp edges.

- 1 Draw a vertical line on the wall at the center of the 30" wide space.
- 2 Draw a horizontal line on the wall at the bottom of "Rear Wall Template".
- 3 Find a wall stud in area "E" of mounting plate. Refer to section 1B. Finding the wall studs.
- 4 For attaching the mounting plate into stud drill a 3/16" hole into wood stud. Drill a 5/8" hole for toggle bolt in 1 other location (Hole A or Hole B)  
**NOTE: DO NOT MOUNT THE PLATE AT THIS TIME.**

**NOTE:** Holes A and B are inside area E. If neither of Holes A and B are not in a stud, find a stud somewhere in area E and draw a circle to line up with the stud. It is important to have at least one wood screw mounted firmly in a stud to support the weight of the microwave. Set the mounting plate aside.

# Installation Instructions

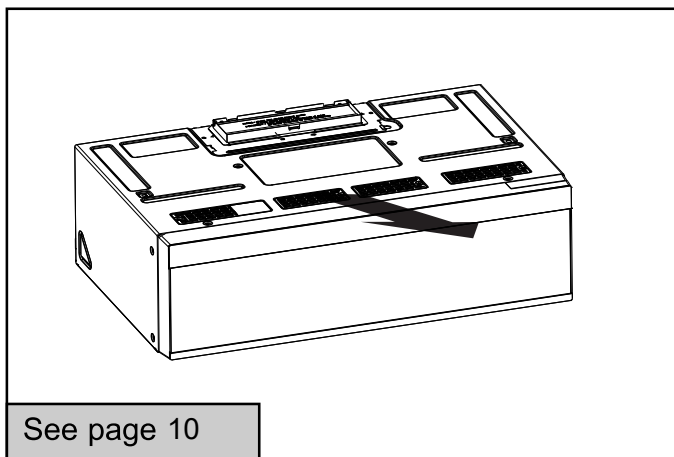
## 2 INSTALLATION TYPES (Choose A, B or C)

This microwave oven is designed for adaptation to the following three types of ventilation:

- A. Outside Top Exhaust (Vertical Duct)
- B. Outside Back Exhaust (Horizontal Duct)
- C. Recirculating (Non-Vented Ductless)

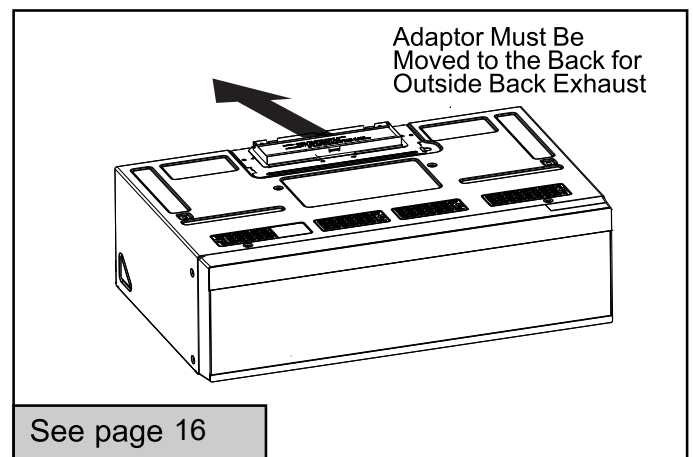
**NOTE:** This microwave is shipped assembled for Recirculating. Select the type of ventilation required for your installation and proceed to that section.

### A RECIRCULATING (NON-VENTED DUCTLESS)

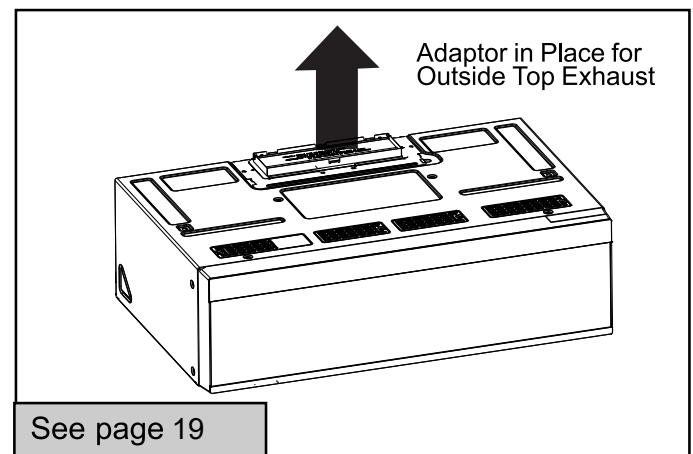


Models are shipped for recirculating exhaust. A disposable charcoal filter is already installed to help remove smoke and odors.

### B OUTSIDE BACK EXHAUST (HORIZONTAL DUCT)



### C OUTSIDE TOP EXHAUST (VERTICAL DUCT)



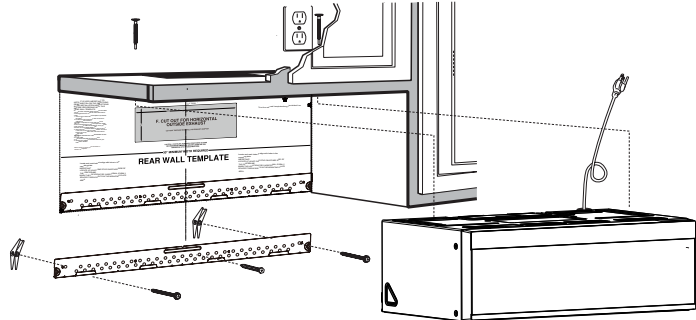
**NOTE:** If you plan to recirculate the exhaust back into the kitchen - proceed to page 10.  
If you are planning to vent the exhaust outside, turn to page 13.

# Installation Instructions

## A RECIRCULATING (Non-Vented Ductless)

### INSTALLATION OVERVIEW

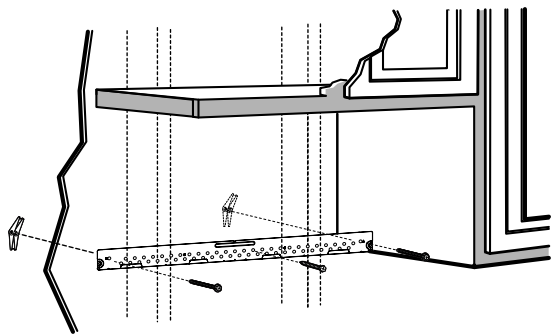
- A1. Attach Mounting Plate to Wall
- A2. Prepare Top Cabinet
- A3. Check Blower Plate
- A4. Mount the Microwave Oven
- A5. Install or change Charcoal Filter



### IMPORTANT NOTES:

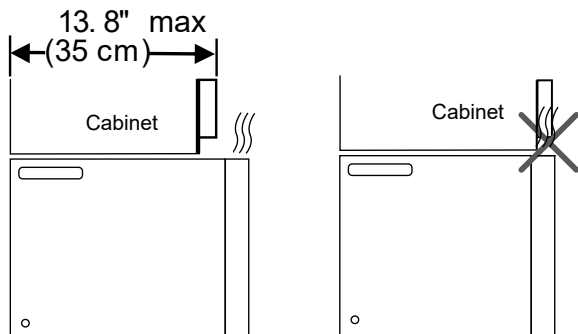
- Make sure the screws for the blower motor and blower plate are securely tightened when they are reinstalled. This will help to prevent excessive vibration.
- Make sure the motor wiring has been properly routed and secured, and that the wires are not pinched.

### A1. ATTACH THE MOUNTING PLATE TO THE WALL



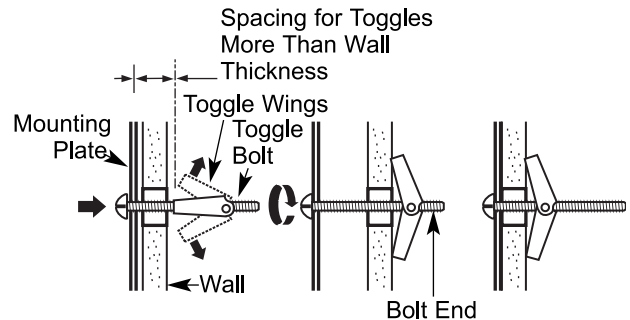
Attach the plate to the wall using toggle bolts. At least one wood screw must be used to attach the plate to a wall stud.

NOTE: If the cabinet depth including the cabinet doors is more than 13.8" the unit must be spaced out from the wall using materials able to support 150 lbs to allow proper top vent air exhaust/intake.



- 1 Remove the toggle wings from the bolts.
- 2 Insert the bolts into the mounting plate through the holes designated to go into drywall and reattach the toggle wings to  $\frac{3}{4}$ " (19 mm) onto each bolt.

To use toggle bolts:



- 3 Place the mounting plate against the wall and insert the toggle wings into the holes in the wall to mount the plate.

NOTE: Before tightening toggle bolts and wood screw, make sure the bottom of the mounting plate touch the bottom of the cabinet when pushed flush against the wall and that the plate is properly centered under the cabinet.

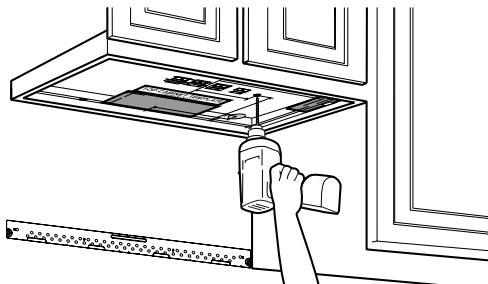
CAUTION: Be careful to avoid pinching fingers between the back of the mounting plate and the wall.

- 4 Tighten all bolts. Pull the plate away from the wall to help tighten the bolts.

# Installation Instructions

## A2. USE TOP CABINET TEMPLATE FOR PREPARATION OF TOP CABINET

You need to drill holes for the top support screws and a hole large enough for the power cord to fit through.



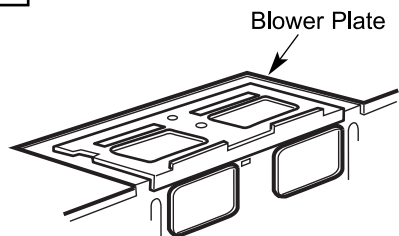
- Read the instructions on the TOP CABINET TEMPLATE.
- Tape it underneath the top cabinet.

NOTE: Adjust top template accordingly if the microwave is spaced out from the wall due to a cabinet depth (including cabinet doors) greater than 13.8”.

- Drill the holes, following the instructions on the TOP CABINET TEMPLATE.

CAUTION: Wear safety goggles when drilling holes in the cabinet bottom.

## A3. CHECK BLOWER PLATE



- Place the microwave in its upright position, with the top of the unit facing up.
- Check to see that the blower plate is correctly installed on the unit.

## A4. MOUNT THE MICROWAVE OVEN



FOR EASIER INSTALLATION AND PERSONAL SAFETY, WE RECOMMEND THAT TWO PEOPLE INSTALL THIS MICROWAVE OVEN.

**IMPORTANT:** Do not grip or use the handle or heat shield during installation. Do not remove the cardboard spacers between the heat shield and door.

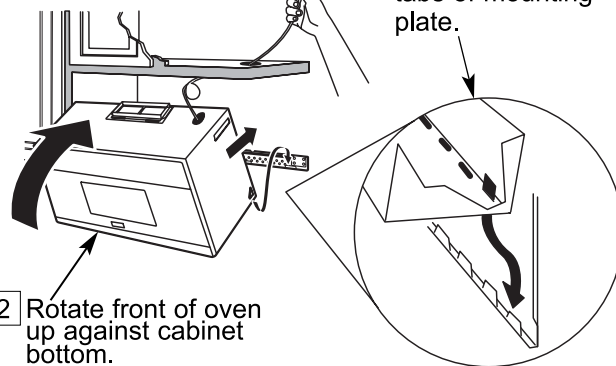
NOTE: If your cabinet is metal, use the nylon grommet around the power cord hole to prevent cutting of the cord.

NOTE: We recommend using filler blocks if the cabinet front hangs below the cabinet bottom shelf.

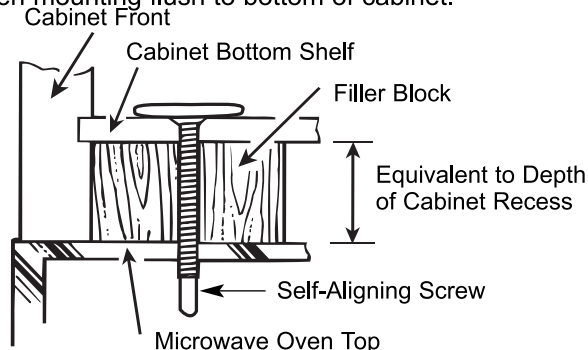
**IMPORTANT:** If filler blocks are not used, case damage may occur from overtightening screws.

NOTE: When mounting the microwave oven, thread power cord through hole in bottom of top cabinet. Keep it tight throughout Steps 1–3. Do not pinch cord or lift oven by pulling cord.

- 1 Lift microwave, tilt it forward, and hook slots at back bottom edge onto four lower tabs of mounting plate.



- 2 Rotate front of oven up against cabinet bottom.
- 3 Insert a self-aligning screw through top center cabinet hole. Temporarily secure the oven by turning the screw at least two full turns after the threads have engaged (It will be completely tightened later.) Be sure to keep power cord tight. Be careful not to pinch the cord, especially when mounting flush to bottom of cabinet.



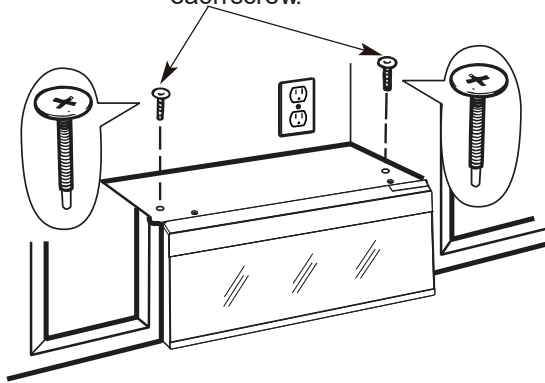
- 4 Attach the microwave oven to the top cabinet.



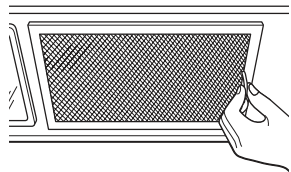
# Installation Instructions

## A4. MOUNT THE MICROWAVE OVEN (cont.)

- 5 Insert 2 self-aligning screws through outer top cabinet holes. Turn two full turns on each screw.



- 6 Tighten the outer two screws to the top of the microwave oven. (While tightening screws hold the microwave oven in place against the wall and the top cabinet.)



- 7 Install grease filters. See the Use & Care Manual packed with the microwave.

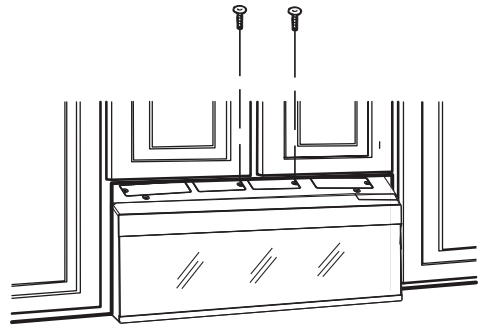
## A5. INSTALLING OR CHANGE THE CHARCOAL FILTER (Some Models)

NOTE: The charcoal filter is factory installed on some models. Refer to the Use and Care to see if yours is factory installed and for replacement information.

For models without the recirculation filter access door, follow these steps to replace or install a charcoal filter.

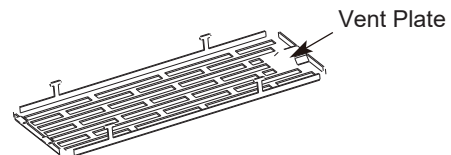
- A 5.1 Unplug microwave oven or disconnect power.

- A 5.2 Remove the two vent plate screws located on top of the microwave using a #1 phillips screwdriver.



- A 5.3 Change the charcoal filter from the vent plate.

Charcoal Filter



- A 5.4 Replace the vent plate, reinstall the two vent plate screws located on top of the microwave using a #1 phillips head screwdriver.

- A 5.5 Close the microwave door. Plug in microwave oven or reconnect power.



# Installation Instructions

## INSTALLATION INSTRUCTIONS FOR EXTERNAL EXHAUST DUCTING

NOTE: If you need to install ducts, note that the total duct length of 3¼" x 10" (8.2 x 25.4 cm) rectangular or 5" (12.7 cm) diameter / 6" (15.2 cm) diameter round duct should not exceed 120 equivalent feet (36.5 m).

Outside ventilation requires an EXTERNAL EXHAUST DUCT. Read the following carefully.

NOTE: It is important that venting be installed using the most direct route and with as few elbows as possible. This ensures clear venting of exhaust and helps prevent blockages. Also, make sure dampers swing freely and nothing is blocking the ducts.

### Exhaust connection:





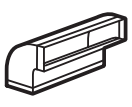
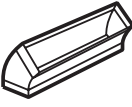


The exhaust adaptor has been designed to mate with a standard 3¼" x 10" (8.2 x 25.4 cm) rectangular duct.

If a round duct is required, a rectangular-to-round transition adaptor must be used. 5" (12.7 cm) / 6" (15.2 cm) diameter duct is acceptable to use.

### Maximum duct length:

For satisfactory air movement, the total duct length of 3¼" x 10" (8.2 x 25.4 cm) rectangular or 5" (12.7 cm) diameter / 6" (15.2 cm) diameter round duct should not exceed 120 equivalent feet (36.5 m).

Elbows, transitions, wall and roof caps, etc., present additional resistance to airflow and are equivalent to a section of straight duct which is longer than their actual physical size. When calculating the total duct length, add the equivalent lengths of all transitions and adaptors plus the length of all straight duct sections. The chart below shows you how to calculate total equivalent ductwork length using the approximate feet of equivalent length of some typical ducts.

DUCT PIECES	EQUIVALENT LENGTH	x	NUMBER USED	=	EQUIVALENT LENGTH
 Rectangular-to-Round Transition Adaptor*	5 ft (1.5 m)	x	(    )	=	ft or m
 Wall Cap	40 ft (12.2 m)	x	(    )	=	ft or m
 90° Elbow	10 ft (3 m)	x	(    )	=	ft or m
 45° Elbow	5 ft (1.5 m)	x	(    )	=	ft or m
 90° Elbow	25 ft (7.6 m)	x	(    )	=	ft or m
 45° Elbow	5 ft (1.5 m)	x	(    )	=	ft or m
 Roof Cap	24 ft (7.3 m)	x	(    )	=	ft or m
 6" (15.24 cm) Round or 3¼" x 10" Rectangular (8.2 x 25.4 cm)	1 ft (0.3 m)	x	(    )	=	ft or m
<b>Total Ductwork</b>				<b>=</b>	<b>ft or m</b>



\* IMPORTANT: If a rectangular-to-round transition adaptor is used, the bottom corners of the damper will have to be cut to fit, using the tin snips, in order to allow free movement of the damper.

Equivalent lengths of duct pieces are based on actual tests and reflect requirements for good venting performance with any vent hood.




# Installation Instructions

## EXTERNAL EXHAUST DUCTING

### OUTSIDE TOP EXHAUST (EXAMPLE ONLY)

The following chart describes an example of one possible ductwork installation.

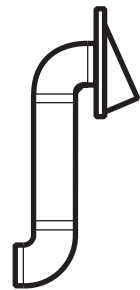




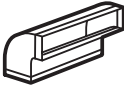
DUCT PIECES		EQUIVALENT LENGTH	x	NUMBER USED	=	EQUIVALENT LENGTH	
	Roof Cap	24 ft (7.3 m)	x	( 1 )	=	24 ft or 7.3 m	
	12 Ft. (3.6 m) Duct 6" 15.2 cm Round	1 ft (0.3 m)	x	( 12 )	=	12 ft or 3.6 m	
	Rectangular-to-Round Transition Adaptor*	5 ft (7.6 m)	x	( 1 )	=	5 ft or 15.2 m	
Equivalent lengths of duct pieces are based on actual tests and reflect requirements for good venting performance with any hood.					<b>Total Ductwork</b>	<b>=</b>	<b>41 ft or 10.4 m</b>

\* IMPORTANT: If a rectangular-to-round transition adaptor is used, the bottom corners of the damper will have to be cut to fit, using the tin snips, in order to allow free movement of the damper.

### OUTSIDE BACK EXHAUST (EXAMPLE ONLY)

The following chart describes an example of one possible ductwork installation.



DUCT PIECES		EQUIVALENT LENGTH*	x	NUMBER USED	=	EQUIVALENT LENGTH	
	Wall Cap	24 ft (7.3 m)	x	( 1 )	=	24 ft or 7.3 m	
	3 Ft. Straight Duct 3¼" x 10" (8.2 x 25.4 cm) Rectangular	1 ft (0.3 m)	x	( 3 )	=	3 ft or 0.9 m	
	90° Elbow	25 ft (7.6 m)	x	( 2 )	=	50 ft or 15.2 m	
Equivalent lengths of duct pieces are based on actual tests and reflect requirements for good venting performance with any hood.					<b>Total Ductwork</b>	<b>=</b>	<b>74 ft or 20.9 m</b>

NOTE: For back exhaust, care should be taken to align exhaust with space between studs, or wall should be prepared at the time it is constructed by leaving enough space between the wall studs to accommodate exhaust.

# Installation Instructions

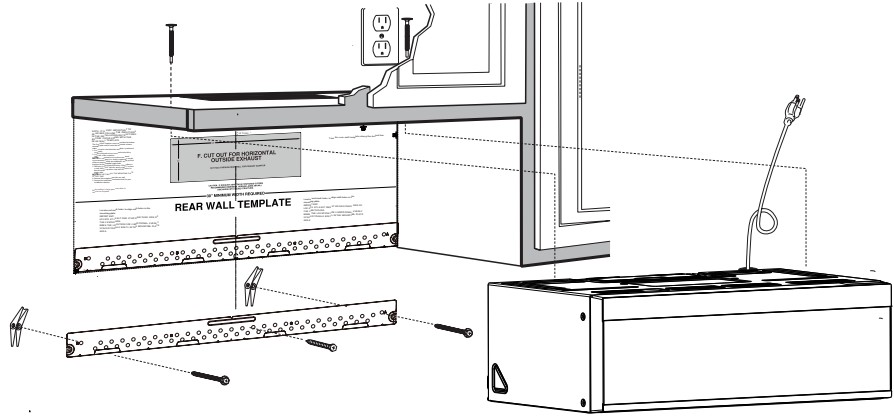
## B OUTSIDE BACK EXHAUST (Horizontal Duct)

### INSTALLATION OVERVIEW

- B1. Prepare Rear Wall
- B2. Remove Blower Plate
- B3. Attach Mounting Plate to Wall
- B4. Prepare Top Cabinet
- B5. Adjust Blower
- B6. Mount the Microwave Oven

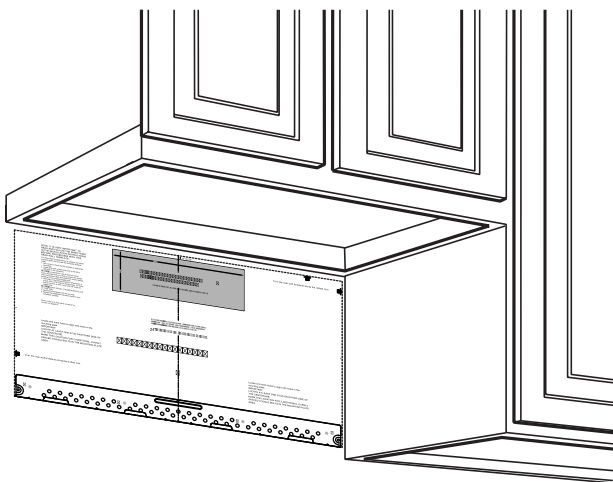
#### IMPORTANT NOTES:

- Make sure the screws for the blower motor and blower plate are securely tightened when they are reinstalled. This will help to prevent excessive vibration.
- Make sure the motor wiring has been properly routed and secured, and that the wires are not pinched.



### B1. PREPARING THE REAR WALL FOR OUTSIDE BACK EXHAUST

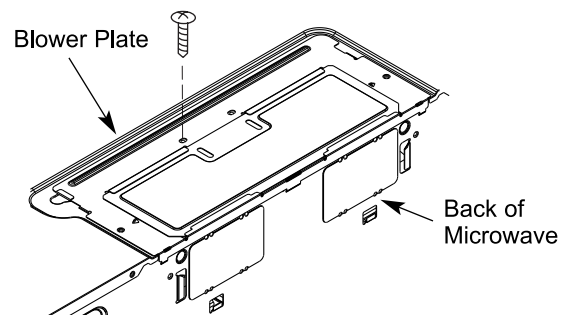
You need to cut an opening in the rear wall for outside exhaust.



- Read the instructions on the REAR WALL TEMPLATE.
- Tape it to the rear wall.
- Cut the opening, following the instructions of the REAR WALL TEMPLATE.

### B2. REMOVE BLOWER PLATE

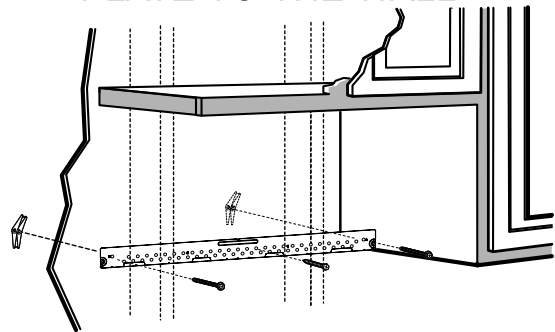
Remove and save the screw that holds the blower plate to the microwave. Lift off the blower plate.



The cover plate is installed with the blower plate, there is no need to reinstall.

# Installation Instructions

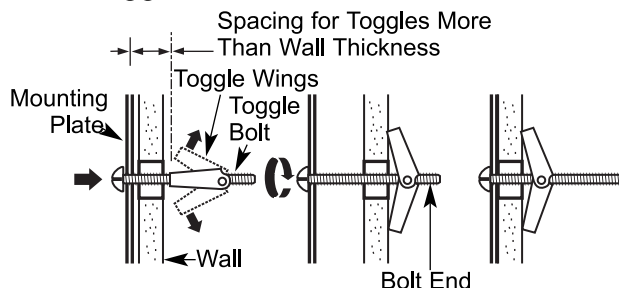
## B3. ATTACH THE MOUNTING PLATE TO THE WALL



Attach the plate to the wall using toggle bolts. At least one wood screw must be used to attach the plate to a wall stud.

- 1 Remove the toggle wings from the bolts.
- 2 Insert the bolts into the mounting plate through the holes designated to go into drywall and reattach the toggle wings to  $\frac{3}{4}$ " (19 mm) onto each bolt.

To use toggle bolts:



- 3 Place the mounting plate against the wall and insert the toggle wings into the holes in the wall to mount the plate.

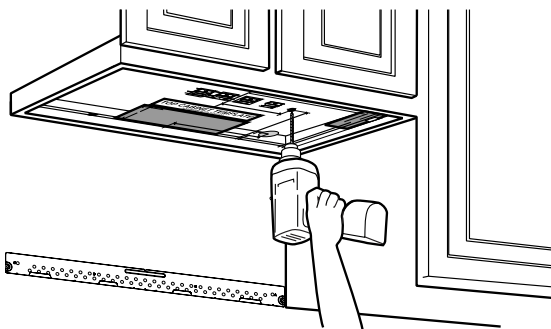
**NOTE:** Before tightening toggle bolts and wood screw, make sure the bottom of the mounting plate touch the bottom of the cabinet when pushed flush against the wall and that the plate is properly centered under the cabinet.

**CAUTION:** Be careful to avoid pinching fingers between the back of the mounting plate and the wall.

- 4 Tighten all bolts. Pull the plate away from the wall to help tighten the bolts.

## B4. USE TOP CABINET TEMPLATE FOR PREPARATION OF TOP CABINET

You need to drill holes for the top support screws and a hole large enough for the power cord to fit through.



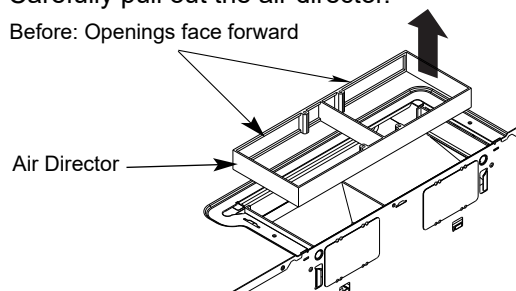
- Read the instructions on the TOP CABINET TEMPLATE.
- Tape it underneath the top cabinet.
- Drill the holes, following the instructions on the TOP CABINET TEMPLATE.

**CAUTION:** Wear safety goggles when drilling holes in the cabinet bottom.

## B5. ADAPTING MICROWAVE BLOWER FOR OUTSIDE BACK EXHAUST

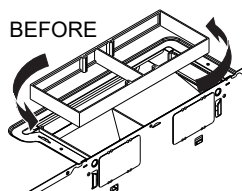
- 1 Carefully pull out the air director.

Before: Openings face forward

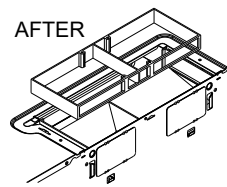


- 2 Rotate the air director counterclockwise 180°

BEFORE

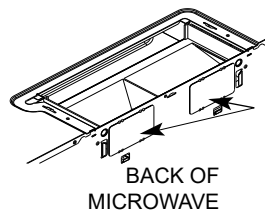


AFTER



Remove the knockout plates in the back of the unit (some models require snips to perform this task)

- 3

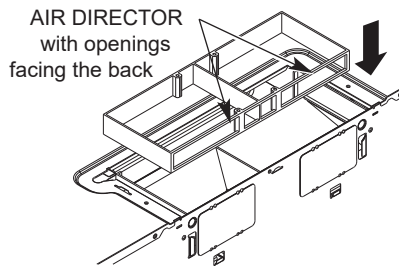


**KNOCKOUT PLATES:** Snip all 4 webs on each knockout panel and remove the metal knockouts for rear airflow. Take care to remove any sharp edges created when removing the knockout plates

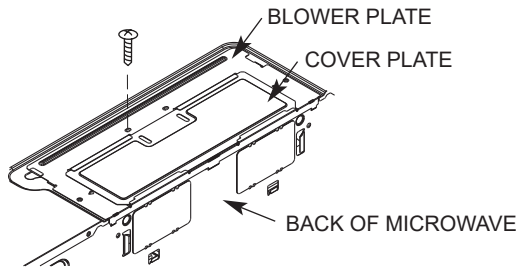
# Installation Instructions

## B5. ADAPTING MICROWAVE BLOWER FOR OUTSIDE BACK EXHAUST (cont.)

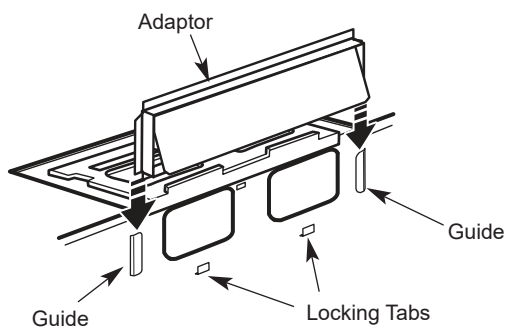
- 4 Replace the air director back into the opening.



- 5 Secure the blower plate to the microwave using the screw removed earlier



- 6 Attach the exhaust adaptor to the rear of the unit by sliding it into the guides at the top / center of the back of the oven.



Make certain that the damper hing is at the top and will swing freely outward from the microwave. Push the adaptor securely in until it is in the lower locking tabs. Check again to make certain it operates freely.

# Installation Instructions

## B6. MOUNT THE MICROWAVE OVEN



FOR EASIER INSTALLATION AND PERSONAL SAFETY, WE RECOMMEND THAT TWO PEOPLE INSTALL THIS MICROWAVE OVEN.

**IMPORTANT:** Do not grip or use the handle or heat shield during installation. Do not remove the cardboard spacers between the heat shield and door.

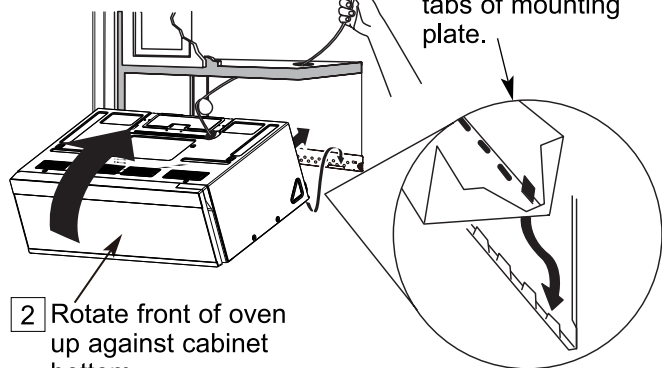
**NOTE:** If your cabinet is metal, use the nylon grommet around the power cord hole to prevent cutting of the cord.

**NOTE:** We recommend using filler blocks if the cabinet front hangs below the cabinet bottom shelf.

**IMPORTANT:** If filler blocks are not used, case damage may occur from overtightening screws.

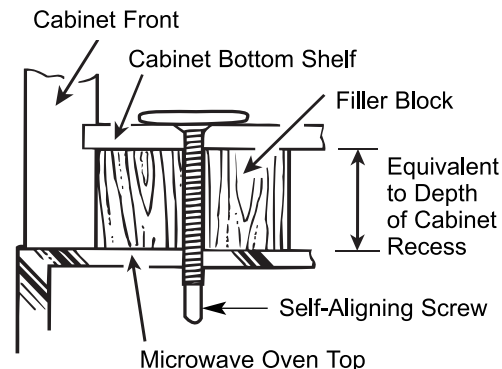
**NOTE:** When mounting the microwave oven, thread power cord through hole in bottom of top cabinet. Keep it tight throughout Steps 1–3. Do not pinch cord or lift oven by pulling cord.

- 1 Lift microwave, tilt it forward, and hook slots at back bottom edge onto four lower tabs of mounting plate.



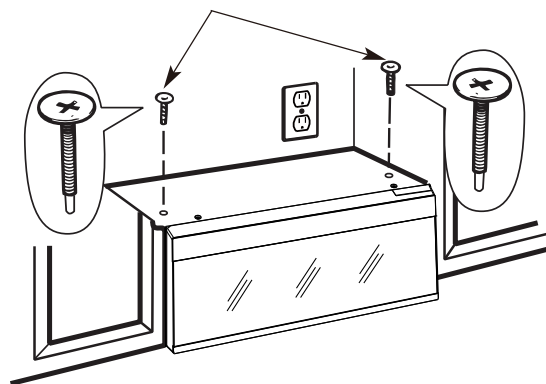
- 2 Rotate front of oven up against cabinet bottom.

- 3 Insert a self-aligning screw through top center cabinet hole. Temporarily secure the oven by turning the screw at least two full turns after the threads have engaged (It will be completely tightened later.) Be sure to keep power cord tight. Be careful not to pinch the cord, especially when mounting flush to bottom of cabinet.

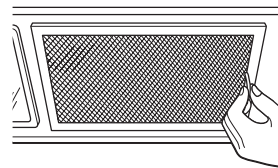


- 4 Attach the microwave oven to the top cabinet.

- 5 Insert 2 self-aligning screws through outer top cabinet holes. Turn two full turns on each screw.



- 7 Tighten the outer two screws to the top of the microwave oven. (While tightening screws, hold the microwave oven in place against the wall and the top cabinet.)



- 8 Install grease filters. See the Use and Care packed with the microwave.

# Installation Instructions

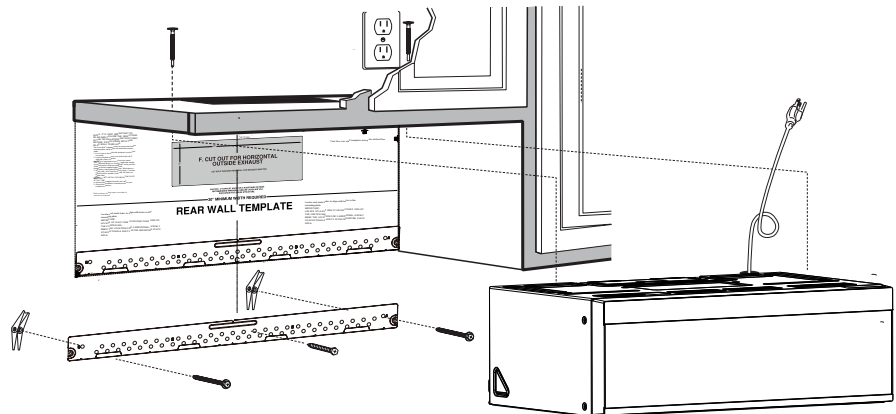
## C OUTSIDE TOP EXHAUST (Vertical Duct)

### INSTALLATION OVERVIEW

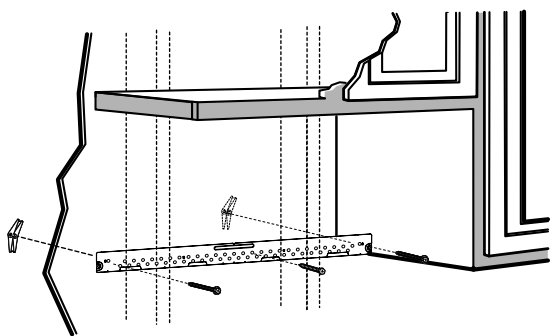
- C1. Attach Mounting Plate to Wall
- C2. Prepare Top Cabinet
- C3. Adapting Microwave Blower for Outside Top Exhaust
- C4. Check Damper Operation
- C5. Mount Microwave Oven
- C6. Adjust Exhaust Adaptor
- C7. Connect Ductwork

#### IMPORTANT NOTES:

- Make sure the screws for the blower motor and blower plate are securely tightened when they are reinstalled. This will help to prevent excessive vibration.
- Make sure the motor wiring has been properly routed and secured, and that the wires are not pinched.



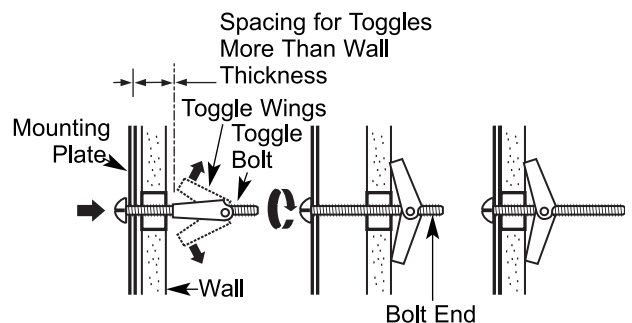
### C1. ATTACH THE MOUNTING PLATE TO THE WALL



Attach the plate to the wall using toggle bolts. At least one wood screw must be used to attach the plate to a wall stud.

- 1 Remove the toggle wings from the bolts.
- 2 Insert the bolts into the mounting plate through the holes designated to go into drywall and reattach the toggle wings to  $\frac{3}{4}$ " (19 mm) onto each bolt.

#### To use toggle bolts:



- 3 Place the mounting plate against the wall and insert the toggle wings into the holes in the wall to mount the plate.

NOTE: Before tightening toggle bolts and wood screw, make sure the bottom of the mounting plate touch the bottom of the cabinet when pushed flush against the wall and that the plate is properly centered under the cabinet.

CAUTION: Be careful to avoid pinching fingers between the back of the mounting plate and the wall.

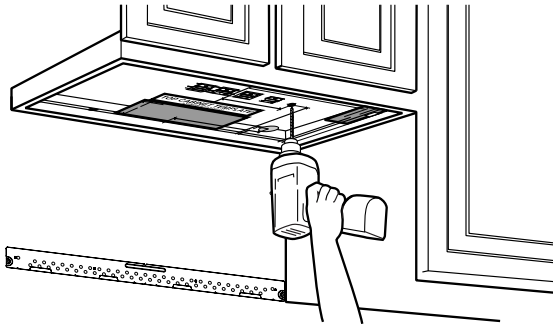
- 4 Tighten all bolts. Pull the plate away from the wall to help tighten the bolts.



# Installation Instructions

## C2. USE TOP CABINET TEMPLATE FOR PREPARATION OF TOP CABINET

You need to drill holes for the top support screws, a hole large enough for the power cord to fit through, and a cutout large enough for the exhaust adaptor.

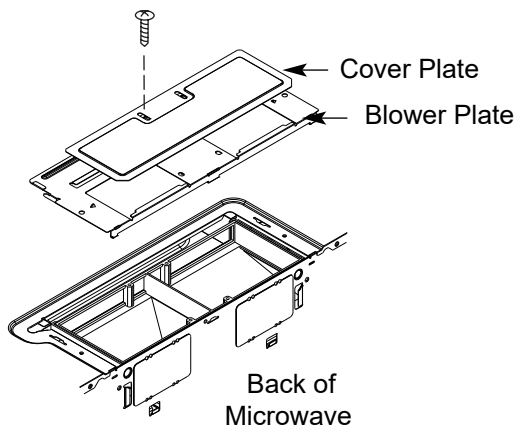


- Read the instructions on the TOP CABINET TEMPLATE.
- Tape it underneath the top cabinet.
- Drill the holes, following the instructions on the TOP CABINET TEMPLATE.

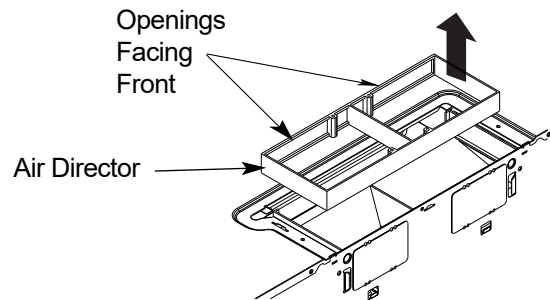
**CAUTION:** Wear safety goggles when drilling holes in the cabinet bottom.

## C3. ADAPTING MICROWAVE BLOWER FOR OUTSIDE TOP EXHAUST

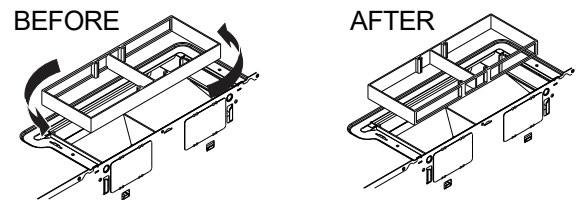
- 1 Remove the screw that holds the blower plate to the microwave. Remove the cover plate.



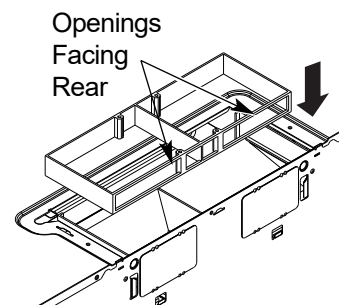
- 2 Carefully pull out the air director



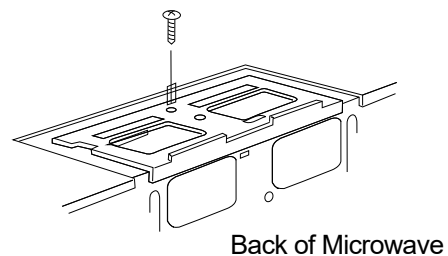
- 3 Rotate the air director counterclockwise 180°



- 4 Place the air director back in the opening



- 5 Replace the blower plate with the screw removed in Step 1. Make certain the screw is tight.

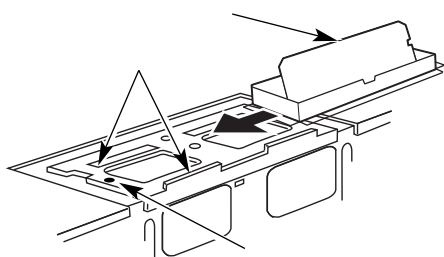




# Installation Instructions

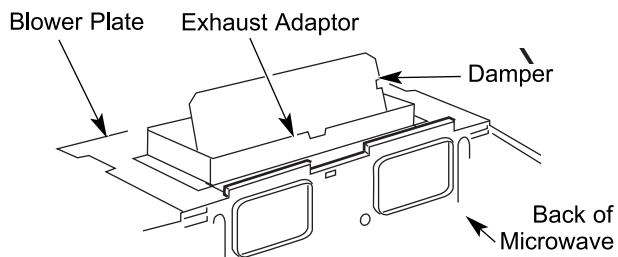
## C3. ADAPTING MICROWAVE BLOWER FOR OUTSIDE TOP EXHAUST (cont.)

- 6 Attach the exhaust adaptor to the top of the blower plate by sliding it into the guides of the blower plate from the side.



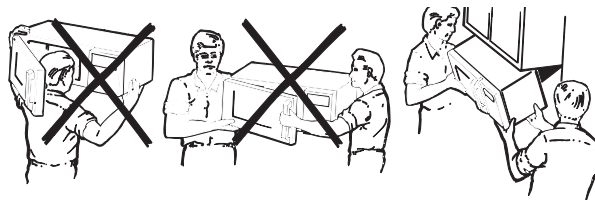
Making certain the damper operates freely, push the adaptor in until it is securely in the locking tabs. Check once more to ensure that the damper can operate freely.

## C4. CHECK FOR PROPER DAMPER OPERATION



- Make sure tape securing damper is removed and damper pivots easily before mounting microwave.
- You will need to make adjustments to assure proper alignment with your house exhaust duct after the microwave is installed.

## C5. MOUNT THE MICROWAVE OVEN



FOR EASIER INSTALLATION AND PERSONAL SAFETY, WE RECOMMEND THAT TWO PEOPLE INSTALL THIS MICROWAVE OVEN.

**IMPORTANT:** Do not grip or use the handle or heat shield during installation. Do not remove the cardboard spacers between the heat shield and door.

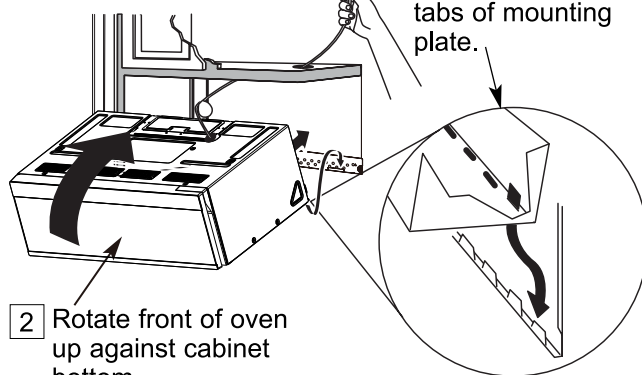
**NOTE:** If your cabinet is metal, use the nylon grommet around the power cord hole to prevent cutting of the cord.

**NOTE:** We recommend using filler blocks if the cabinet front hangs below the cabinet bottom shelf.

**IMPORTANT:** If filler blocks are not used, case damage may occur from overtightening screws.

**NOTE:** When mounting the microwave oven, thread power cord through hole in bottom of top cabinet. Keep it tight throughout Steps 1-3. Do not pinch cord or lift oven by pulling cord.

- 1 Lift microwave, tilt it forward, and hook slots at back bottom edge onto four lower tabs of mounting plate.

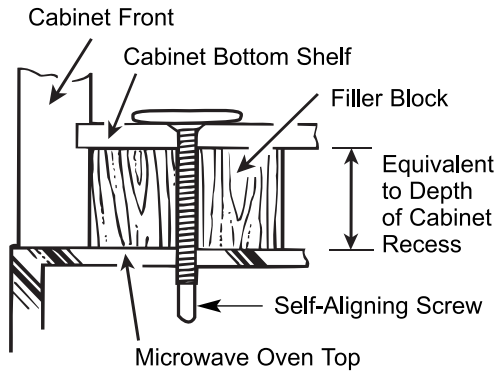


- 2 Rotate front of oven up against cabinet bottom.

- 3 Insert a self-aligning screw through top center cabinet hole. Temporarily secure the oven by turning the screw at least two full turns after the threads have engaged (It will be completely tightened later.) Be sure to keep power cord tight. Be careful not to pinch the cord, especially when mounting flush to bottom of cabinet.

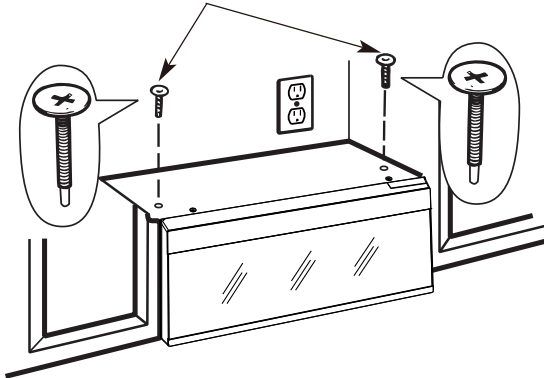
# Installation Instructions

## C5. MOUNT THE MICROWAVE OVEN (cont.)

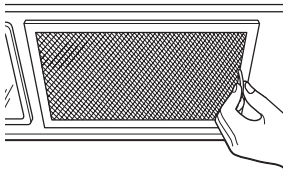


4 Attach the microwave oven to the top cabinet.

5 Insert 2 self-aligning screws through outer top cabinet holes. Turn two full turns on each screw.



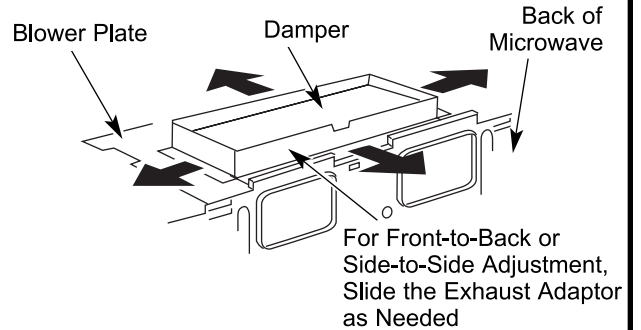
6 Tighten the outer two screws to the top of the microwave oven. (While tightening screws, hold the microwave oven in place against the wall and the top cabinet.)



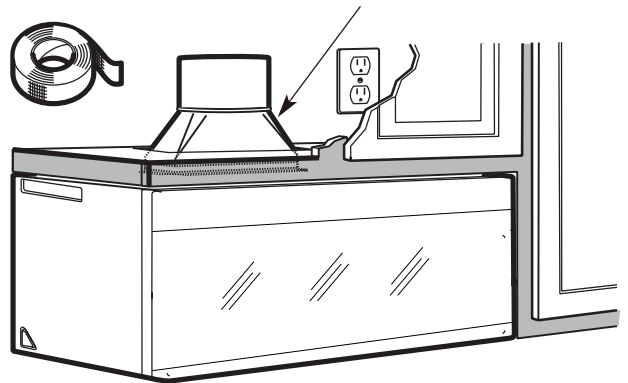
7 Install grease filters. See the Use and Care packed with the microwave.

## C6. ADJUST THE EXHAUST ADAPTOR

Open the top cabinet and adjust the exhaust adaptor to connect to the house duct.



## C7. CONNECTING DUCTWORK

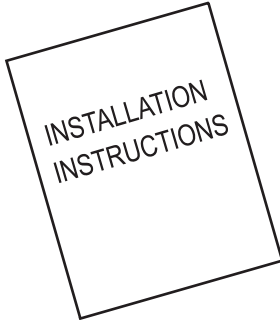


- 1 Extend the house duct down to connect to the exhaust adaptor.
- 2 Seal exhaust duct joints using furnace duct tape for high temperature applications.

# Installation Instructions

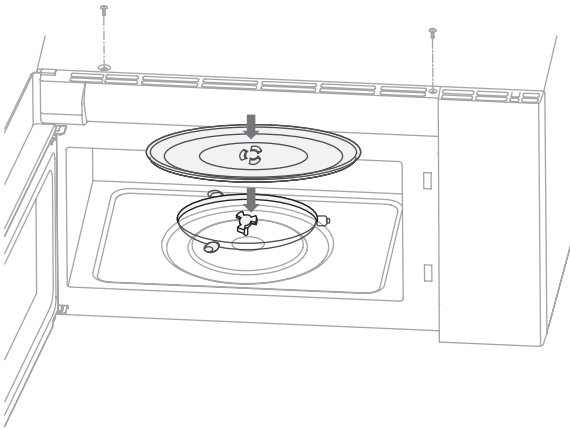
## BEFORE YOU USE YOUR MICROWAVE

1. Make sure the microwave oven has been installed according to instructions.

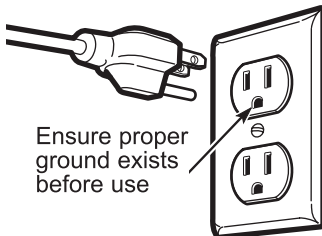


2. Remove all packing material from the microwave oven.

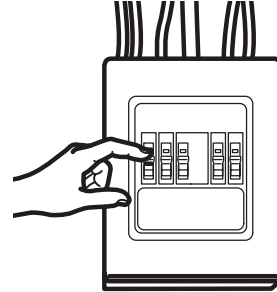
3. Install turntable ring and glass tray in cavity.



4. Plug power cord into a separate and dedicated 15- to 20-amp electrical outlet.



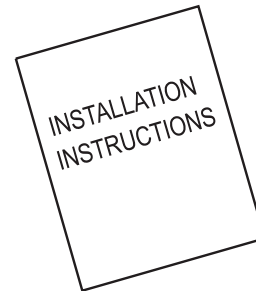
5. Replace house fuse or turn breaker back on.



6. Read the USE & CARE Manual.



7. KEEP INSTALLATION INSTRUCTIONS FOR THE LOCAL INSPECTOR'S USE.



8. GO TO [WWW.XOAPPLIANCE.COM](http://WWW.XOAPPLIANCE.COM) AND REGISTER YOUR PRODUCT



