

EVERY THING YOU NEED TO KNOW ABOUT YOUR



OVER-THE-RANGE
MICROWAVE OVEN



I worked really hard
on this manual -
so please read it...

SAFETY PRECAUTIONS	2	CONTROLS OVERVIEW	8
RADIO INTERFERENCE	4	MICROWAVE OPERATIONS	9
ELECTRICAL GROUNDING	5	VENTILATION + LIGHTS	13
PARTS OVERVIEW	6	CLEANING + MAINTENANCE	14
UTENSILS	7	WARRANTY	16

PRECAUTIONS TO AVOID POSSIBLE EXPOSURE TO EXCESSIVE MICROWAVE ENERGY

- (a) Do not attempt to operate this oven with the door open. Open-door operation can result in harmful exposure to microwave energy. Never defeat or tamper with the safety interlocks.
- (b) Do not place any object between the oven front face and the door or allow dirt or cleaner residue to accumulate on sealing surfaces.
- (c) Do not operate the oven if it is damaged. It is particularly important that the oven door close properly and that there is no damage to the:
 - (1) DOOR (bent)
 - (2) HINGES AND LATCHES (broken or loosened)
 - (3) DOOR SEALS AND SEALING SURFACE
- (d) The oven should not be adjusted or repaired by anyone except properly qualified service personnel.

Specifications

Model:	XOOTR24BS
Rated Voltage:	120V~60Hz
Rated Input Power(Microwave):	1500W
Rated Output Power(Microwave):	1000W
Oven Capacity:	1.34 cu ft
Turntable Diameter:	Ø 13-9/16"
External Dimensions:	23-7/8" x 16-3/16" x 17"
Net Weight:	Approx. 57 lbs

IMPORTANT SAFETY INSTRUCTIONS

When using electrical appliances basic safety precautions should be followed, including:

WARNING - To reduce the risk of burns, electric shock, fire, injury to persons or exposure to excessive microwave energy:

1. Read all instructions before using the appliance.
2. Read and follow the section: "PRECAUTIONS TO AVOID POSSIBLE EXPOSURE TO EXCESSIVE MICROWAVE ENERGY" on the preceding page.
3. This appliance must be grounded. Connect only to properly grounded outlet. See "GROUNDING INSTRUCTIONS" on the following page.
4. Install or locate this appliance only in accordance with the provided installation instructions.
5. Some products such as whole eggs and sealed containers - for example, closed glass jars - are able to explode and should not be heated in this oven.
6. Use this appliance only for its intended use as described in the manual. This type of oven is specifically designed for residential use only to heat, cook or dry food and cooking ventilation.
7. As with any appliance, close supervision is necessary when used by children.
8. Do not operate this appliance if it has a damaged cord or plug, if it is not working properly, or if it has been damaged or dropped.
9. This appliance should be serviced only by qualified service personnel. Contact XO to find your nearest authorized service for examination, repair, or adjustment.
10. Do not cover or block any openings on the appliance.
11. Do not store this appliance outdoors. Do not use this product near water - for example; near a sink, in a wet basement, near a swimming pool, or similar location.
12. Do not immerse cord or plug in water.
13. Keep cord away from heated surfaces.
14. Do not let cord hang over the edge of a table or counter.
15. When cleaning the contacting surfaces of door and oven use only mild, nonabrasive soaps, or detergent applied with a sponge or soft cloth.
16. To reduce the risk of fire in the oven cavity:
 - 1). Do not overcook food. Carefully attend appliance when paper, plastic, or other combustible materials are placed inside the oven to facilitate cooking.
 - 2). Remove wire twist-ties from paper or plastic bag before placing bag in oven.
 - 3). If material inside of the oven ignites, keep oven door closed, turn the oven off, and disconnect the power cord, or shut off power at the fuse or circuit breaker panel.
 - 4). Do not use the cavity for storage purposes. Do not leave paper products, cooking utensils, or food in the cavity when not in use.
17. Liquids such as water, coffee, or tea are able to be overheated beyond the boiling point without appearing to be boiling. Visible bubbling or boiling when the container is removed from the microwave oven is not always present.

THIS COULD RESULT IN VERY HOT LIQUID SUDDENLY BOILING OVER WHEN THE CONTAINER IS DISTURBED OR A UTENSIL IS INSERTED INTO THE LIQUID.

IMPORTANT SAFETY INSTRUCTIONS

17. CONTINUED:

TO REDUCE THE RISK OF PERSONAL INJURY:

- 1) Do not overheat liquids.
- 2) Stir the liquid both before and halfway through heating it.
- 3) Do not use straight-sided containers with narrow necks.
- 4) After heating, allow the container to stand undisturbed in the microwave for a short time.
- 5) Use extreme care when inserting a spoon or other utensil into the container.

18. Clean the ventilation hood frequently - Grease should not be allowed to accumulate in the hood or filters.

19. When cooking under the hood - the fan should always be turned on.

20. The ventilation mesh filters are dishwasher safe for cleaning - alternately - soak the filters in warm soapy water and rinse clean. Do not use corrosive or lye-based oven cleaners which may damage the filters.

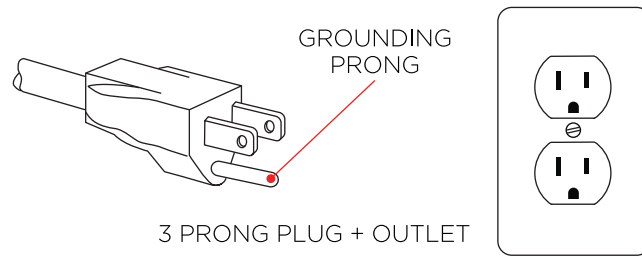
21. This unit is suitable for use above both gas or electric cooking surfaces.

RADIO INTERFERENCE

- 1.** Operation of a microwave may cause interference to your radio, TV, or similar equipment
- 2.** When there is interference, it may be reduced or eliminated by taking the following measures:
 - 1) Clean door and sealing surface of the oven
 - 2) Reorient the receiving antenna of radio or television.
 - 3) Relocate the microwave oven with respect to the receiver.
 - 4) Move the microwave oven away from the receiver.
 - 5) Plug the microwave oven into a different outlet so that microwave oven and receiver are different branch circuits.

SAVE AND FOLLOW THESE IMPORTANT GROUNDING INSTRUCTIONS

This appliance must be grounded. In the event of an electrical short circuit, Grounding reduces the risk of electric shock by providing an escape wire for the electric current. This appliance is equipped with a cord having a grounding wire with a third prong grounding plug. The plug must be plugged into an outlet that has been properly installed and grounded by a qualified electrician.



WARNING - Improper grounding can result in a risk of electric shock.

Consult a qualified electrician or serviceman if the grounding instructions are not completely understood, or if doubt exists as to whether the appliance is properly grounded.

This appliance was designed to be permanently installed and an extension cord should never be used in a permanent installation.

In the event that the unit is temporarily used in a non-permanent location, and if it is necessary to use an extension cord, use only a 3-wire extension cord that has a 3-blade grounded plug, and a properly grounded 3-slot receptacle that will accept the plug on the appliance.

The marked rating of the extension cord must be equal to or greater than the electrical rating of the appliance.

If a longer/extension cord is used care must be taken to ensure it will not drape over the counter top or tabletop where it can be pulled by children or create a trip hazard.

DANGER - Electric Shock Hazard

Touching some of the internal components can cause serious personal injury or death.

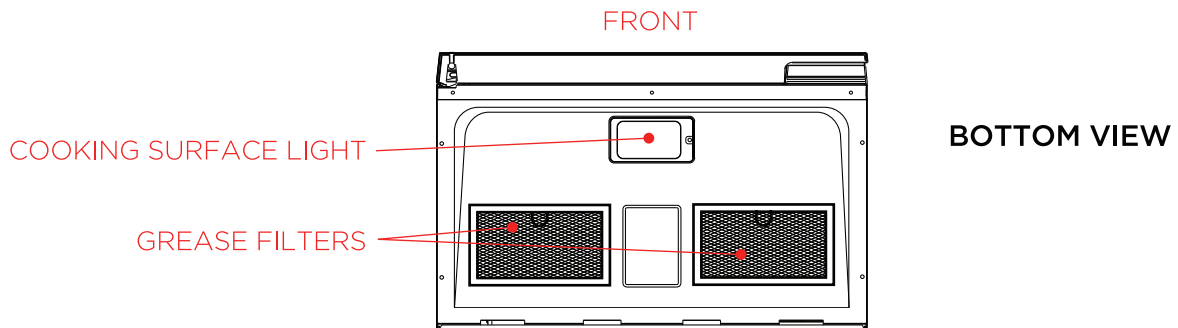
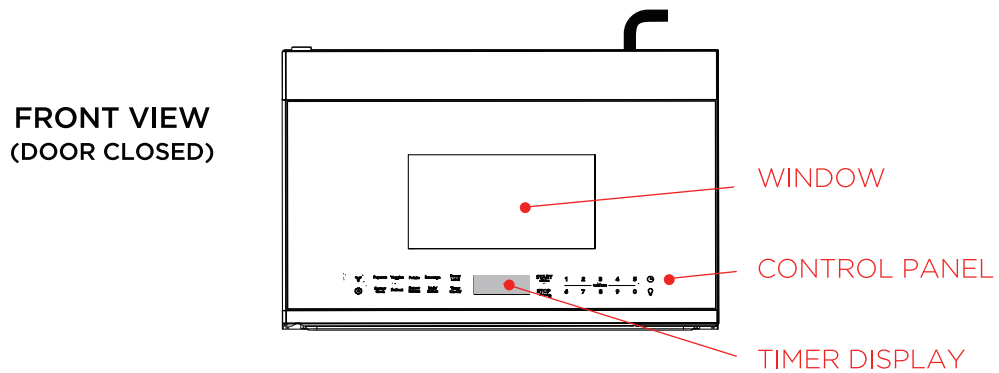
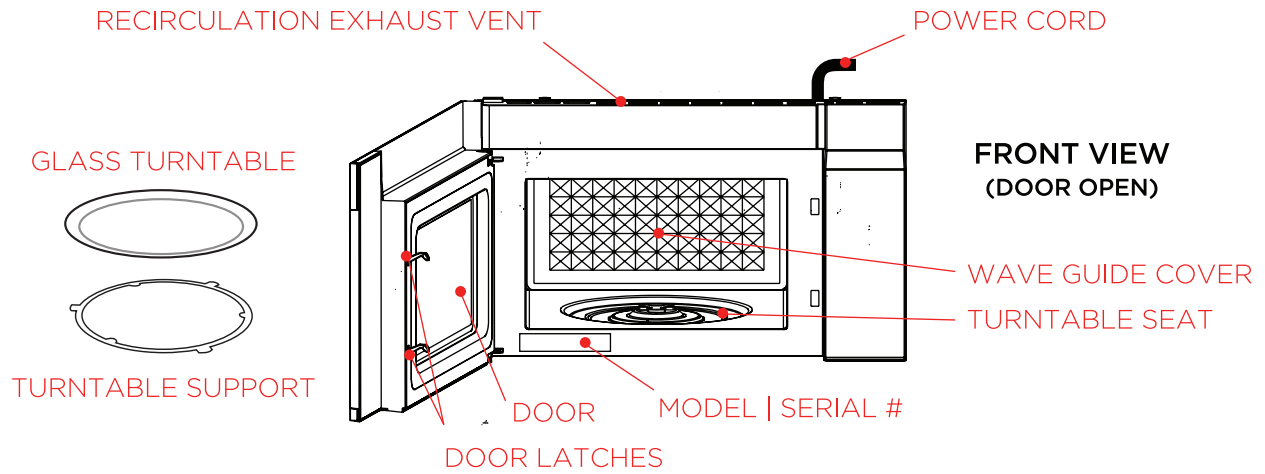
Do not disassemble this appliance.

WARNING - Electric Shock Hazard

Improper grounding can result in electric shock. Do not plug into an outlet until appliance is properly installed and grounded.

The unit comes pre-wired with a short power supply cord designed for a permanent installation above a range or cooktop.

GET TO KNOW YOUR OVER-THE-RANGE MICROWAVE OVEN



UTENSILS

FOR MICROWAVE SAFE COOKING AND RE-HEATING USE:

Glass Ceramic (such as Corningware®)
Heat Resistant Glass (such as Pyrex®)
Microwave Safe Plastics
Paper Plates
Microwave Safe Stoneware / Pottery
Browning Dishes (per mfrs instructions)

NEVER USE IN YOUR MICROWAVE:

Metal Pans or Bakeware
Dishes with Metallic Edging
Non-Microwave-Safe Plastics
Food Storage Bags
Metal Twist Ties
Brown Paper or Recycled Bags

Utensils made of wood, straw or wicker may be used for short term re-heating with foods low in fat or sugar. Should you wish to check if a dish is safe for microwaving, place the empty dish in the microwave oven and microwave on HIGH for 30 seconds. A dish which becomes very hot should not be used.

Paper Towels, Wax Paper and Microwave-Safe Lids are excellent choices to cover food while cooking. Plastic Wrap may also be used but it should touch the food being heated and must be vented to allow steam to escape. Microwave Oven Cooking Bags are good for large meats but must be slit to allow steam to escape.

FOOD SAFETY - United States Department of Agriculture Recommended Temperatures

145°F (63°C)	Beef, Lamb, or Veal cut into steaks, chops, or roasts
160°F (71°C)	Pork, Ground Meat, Seafood, Eggs Dishes, or Frozen Prepared Foods
165°F (74°C)	Leftovers, Ready To Heat, Carry Out, Chicken, Turkey, or Ground Poultry

Cook whole poultry and stuffing separately - Stuffing should be cooked to 165 F.

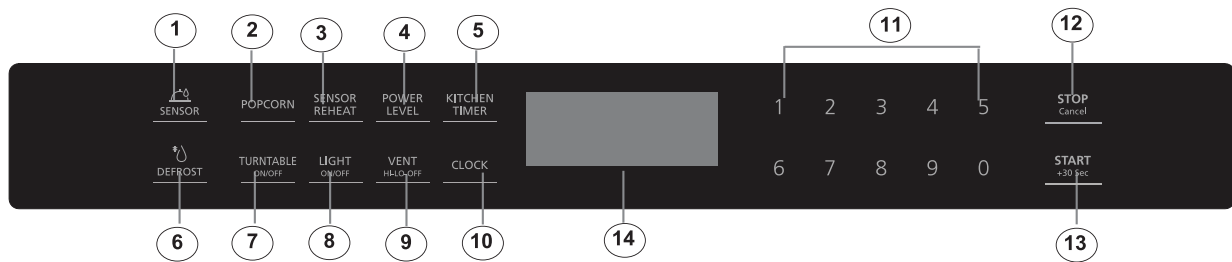
Temperature should be checked with a meat thermometer in a thick, dense area away from bone or fat. Never leave the thermometer in unless it is microwave approved.

GENERAL SAFETY -

1. Always use pot holders when removing utensils from the microwave oven.
2. Avoid steam burns by lifting the farthest edge of a dish covering / open cooking bags away from the face and hands.
3. Do not leave the microwave operating unattended to prevent over cooking
4. Store and handle food carefully to minimize the spread of foodborne bacteria.
5. Keep the waveguide cover clean and free of debris which can cause arcing and fires.
6. Never store items in the microwaven oven when not in use.
7. Exercise care to avoid contacting the door latch while removing items from the oven.
8. Maintain at least 1" clearance from all sides and the top while cooking - nothing should contact the sides of the oven in operation.
9. Children should never be allowed to use the microwave oven without close supervision.

GET TO KNOW YOUR OVER-THE-RANGE MICROWAVE OVEN

THE CONTROL PANEL



1. SENSOR
2. POPCORN
3. SENSOR REHEAT
4. POWER LEVEL
5. KITCHEN TIMER
6. DEFROST
7. TURNTABLE ON/OFF
8. LIGHT ON/OFF
9. VENT FAN HIGH/LOW/OFF
10. CLOCK
11. NUMBER PADS
12. STOP/CANCEL
13. START/+30 SEC
14. DISPLAY SCREEN

GET TO KNOW YOUR OVER-THE-RANGE MICROWAVE OVEN

OPERATION

1. POWER LEVEL - 10 Power levels are available

LEVEL	10	90	80	70	60	50	40	30	20	1
POWER	100%	90%	80%	70%	60%	50%	40%	30%	20%	10%
DISPLAY	PL-HI	PL-90	PL-80	PL-70	PL-60	PL-50	PL-40	PL-30	PL-20	PL-10

2. POWER ON

When the microwave oven is powered up, the screen will display "12:00 PRESS CLOCK ENTER TIME ". The buzzer will ring once. Press number keys to set clock or press " STOP/Cancel " to exit clock setting mode. If there is no input within 5 minutes, the oven will enter a waiting state.

3. CLOCK - The clock can be set for 12 hour or 24 hour mode

- 1) While in a waiting state, press "CLOCK" once. The screen will display "12:00 PRESS CLOCK ENTER TIME".
- 2) Press the number keys and enter the correct time. (ex. 1,0,1,2 = 10:12)
- 3) Press "START/+30 SEC" button to confirm setting.

4. KITCHEN TIMER

- 1) Press "KITCHEN TIMER" once, "ENTER TIME" will blink in the display.
- 2) Using the number keys, enter the timer setting (Maximum is 99 Minutes + 99 Seconds)
- 3) Press "START/+30 SEC" to confirm setting - The timer will begin counting down.

5. TIMED COOKING

- 1) In a waiting state, use the number keys to set the cooking time.
- 2) Press "POWER LEVEL" repeatedly to select power level (Default is PL-HI, 100%)
- 3) Press "START/+30 SEC" to start cooking.

GET TO KNOW YOUR OVER-THE-RANGE MICROWAVE OVEN

OPERATION - continued

6. MULTI-STAGE COOKING

Two stages can be set to follow one another, for example you can set the oven to defrost, then automatically start cooking at a higher power level.

(NOTE: Auto Menu cannot be used in multi-stage cooking)

Example; to defrost 2 lbs of meat for 5 minutes and then cook at 80% for 7 minutes you would follow the steps below:

- 1) While the oven is off, press "DEFROST" once. The screen will display "MEAT".
- 2) Press "START/+30 SEC" button to confirm, The screen will display "ENTER WEIGHT".
- 3) Press "2", "0", the screen will display "2.0".
- 4) Press "0", "7", "0", "0", the screen will display "07:00"
- 5) Press "POWER LEVEL" three times to choose 80%, The screen will display "PL-80".
- 6) Press "START/+30 SEC" button to start cooking.

7. QUICK COOKING

1) While the oven is off, instant cooking at 100 power can be started by selecting a cooking time from 1 to 9 minutes by using the number keys.

2) While the oven is off, instant cooking with 30 seconds of cooking time can be started by pressing "START/+30 SEC". Each press of that button will increase cooking time by 30 seconds.

8. POPCORN

1) Press "POPCORN", the screen will display "3.2", press it again, it will display "1.75".

2) After choosing which of the two cooking times you need, press "START/+ 30 SEC"

GET TO KNOW YOUR OVER-THE-RANGE MICROWAVE OVEN

OPERATION - continued

9. AUTO-DEFROST

- 1) Press “DEFROST” once. The screen will display “MEAT”
- 2) Press “DEFROST” repeatedly and the screen will display “POULTRY”, then “FISH”, then “BREAD”..
- 3) Press “START/+30 SEC” button to confirm your selection, the screen will display, “ENTER WEIGHT”.
- 4) Use the number keys to enter the weight of the food to be defrosted.
- 5) Press “START/+30” to start defrosting.

Auto Defrost programs

Press button	Food	Weight range
1	Meat	0.1 - 6.0 lbs
2	Poultry	0.1 - 6.0 lbs
3	Fish	0.1 - 6.0 lbs
4	Bread	0.1 - 6.0 lbs

10. SENSOR RE-HEAT

- 1) Press “SENSOR REHEAT” once the screen will display “BEVERAGE”.
- 2) Press “SENSOR REHEAT” repeatedly until the screen displays the menu item you want.
- 3) Press “START/30+ SEC” to confirm your selection.
- 4) Use the number keys to choose number of items option.
- 5) Press “START/30+ SEC” to start SENSOR COOK Mode. The appliance starts sensing the oven contents, during this time the microwave is operating. When sensing is complete a beep will sound and the calculated cook time will start to count down.
(NOTE: if the door is opened during this process, the program will be cancelled.)

(SENSOR REHEAT PRGRAMS LISTED NEXT PAGE.)

GET TO KNOW YOUR OVER-THE-RANGE MICROWAVE OVEN

OPERATION - continued

SENSOR REHEAT PROGRAMS

Program no.	Menu	Quantity
1	Beverage	1- 3 cups
2	Dinner Plate	1 plate
3	Pizza	1 - 4 slices
4	Soup/Sauce	1 cup
5	Casserole/Lasagna	10.5 oz

11. SENSOR COOK

- 1) Press "SENSOR" once. The screen will display "POTATO"
- 2) Press "DEFROST" repeatedly until the screen displays the menu item you wish.
- 3) Press "START/+30 SEC" button to start sensor cook mode. The appliance starts sensing the oven contents, during this time the microwave is operating. When sensing is complete a beep will sound and the calculated cook time will start to count down.

(NOTE: if the door is opened during this process, the program will be cancelled.)

Sensor Cook programs

Program no.	Menu	Quantity
1	Potato	1- 4 potatoes
2	Fresh Vegetable	6/16 oz
3	Frozen Vegetable	8/16 oz
4	Frozen Dinner	10/20 oz
5	Rice	1 - 2 cups
6	Frozen Breakfast	8 - 12 oz
7	Meat	9 - 19 oz

GET TO KNOW YOUR OVER-THE-RANGE MICROWAVE OVEN

OPERATION - ventilation + lights

12. VENTILATION FAN

Your ventilation fan will move 300 CFM at HIGH speed and 105 CFM at LOW speed and may be installed to vent outside or to recirculate the exhaust back into the kitchen.

- 1) Press “VENT-HI-LO-OFF” once. The screen will display “HIGH”
- 2) Press “VENT-HI-LO-OFF” twice. The screen will display “LOW”
- 3) Press “VENT-HI-LO-OFF” three times. The screen will display “OFF”

The oven will return to standby mode after 2 seconds.

13. COOKTOP ILLUMINATION

Your Over-The-Range Microwave Oven is equipped with two level LED lighting to illuminate the cooking surface below brilliantly.

- 1) Press “LIGHT ON/OFF” once. Lighting will be set for “HIGH”
- 2) Press “LIGHT ON/OFF” twice. Lighting will be set for “LOW”
- 3) Press “LIGHT ON/OFF” three times. The light will be turned “OFF”

14. TURNTABLE ON/OFF

For best results leave the turntable on during cooking.

For large dishes, to turn the turntable off and back on:

- 1) Press “TURNTABLE ON/OFF” once. The screen will display “OFF” for 2 seconds.
- 2) Press “TURNTABLE ON/OFF” again. The screen will display “ON” for 2 seconds.

15. INFORMATION

During cooking, Press “CLOCK” and the current time will be displayed for 2 seconds.

During cooking, Press “POWER LEVEL” and the power level will be displayed for 2 seconds.

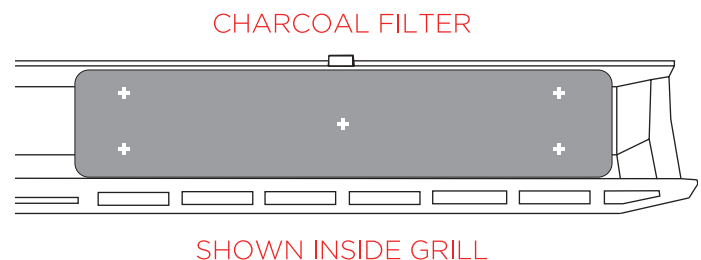
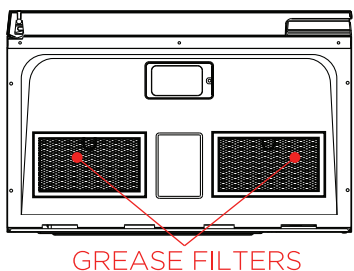
A LITTLE TLC

CLEANING + MAINTENANCE - ventilation

GREASE FILTERS:

Your XO unit comes with aluminum mesh grease filters which should be cleaned often - at least once a month as a general rule (more frequently if used heavily).

- 1) Using the metal ring tab - push the filter toward the back of the unit and pull down gently to remove.
- 2) Soak the filters in hot water with a mild detergent to loosen grease. Do not use ammonia or harsh chemicals.
- 3) Rinse clean with hot water and shake to remove the majority of water.
- 4) Allow to air dry before reinstalling.
- 5) Before replacing the filters, clean the underside of the unit with a degreasing cleaner.
- 6) Reinstall by inserting the back edge first and pressing gently up and in.



CHARCOAL FILTER (recirculating only)

Your unit comes with a charcoal filter installed. If your XO is vented outside, this is not required. However if you are using your XO in a ventless, recirculating mode, this filter must be changed periodically at least every 6 months. More frequently if required by your style of cooking. It cannot be cleaned and must be replaced. (Part Number XORFK14)

To change the charcoal filter:

- 1) Disconnect the power by unplugging or at the circuit breaker or fuse box.
- 2) Using a phillips head screwdriver, remove the screws at the top of the grill.
- 3) Open the oven door, grasp the grill and pull straight out to remove.
- 4) Remove the charcoal filter which is held in position by pins.
- 5) Align the holes in the new filter with the pins and press into place.
- 6) Reinsert the grill into the top of the oven.
- 7) Using a phillips head screwdriver, replace the screws and turn the power back on.

A LITTLE TLC

CLEANING- microwave oven

EXTERIOR:

Clean the exterior of you XO microwave oven with mild soap and water, then rinse and dry with a soft cloth. **Never use household or abrasive cleaners or scouring pads.**

DOOR:

Disconnect the power first to prevent accidentally activating different functions.

Wipe the window on both sides with a soft cloth to remove any spills or food spatter.

Metal parts are much easier to maintain if wiped clean frequently with a soft cloth.

Do not use spray or harsh cleaners which may stain, streak or dull the finish.

INTERIOR:

Because microwave interiors do heat up like a conventional oven spills and spatter do not get baked on making them easier to remove. Clean the interior by wiping down interior surfaces with a soft cloth and warm water. **Never use household or abrasive cleaners or scouring pads.** For heavier spills, use baking soda or a mild soap, taking care to rinse the area thoroughly afterwards with hot water on a soft cloth.

WAVEGUIDE COVER: **NOTE - NEVER REMOVE THE WAVEGUIDE COVER**

The wave guide cover is made of mica, a naturally occurring mineral. Exercise care when cleaning as mica is fragile. Remove any food spatters as soon as they occur to ensure product safety and peak performance. Carefully wipe away any food splatters on the cover with a damp soft cloth.

Excessive build up of material on the wave guide cover can smoke or catch fire.

ODOR REMOVAL

For removal of persistent odors, mix 1 cup of water with the juice and peel of a lemon and several whole cloves. Boil at 100% power for several minutes and allow to cool. Then remove and wipe interior dry.

TURNTABLE + TURNTABLE SUPPORT RING

These are easily removed for cleaning and dishwasher safe (top rack).

NOTE: The turntable motor shaft is not sealed. Wipe up spills immediately to prevent liquid from leaking down into the motor.

WHY CHOOSE XO

INNOVATION • TOP DESIGN • ADVANCED TECHNOLOGY
CREATIVE THINKING • EXTRAORDINARY CUSTOMER SERVICE

More than a brand - XO is a customer experience

We decided to develop a new company with a goal of 100% customer satisfaction. From beginning to end, XO will deliver more. We will be here to help specify and design the right ventilation for your home. We are ventilation experts.

All XO quality products are backed by an unmatched, comprehensive warranty program.

Problems happen, they always do. It could be a dent while handling, a defective part or an improper installation.

- Don't worry XO will be there to help resolve the issue. Your total satisfaction is our main concern.

Be believe in extraordinary customer service with a personal touch. We are putting into practice our vision of becoming the most innovative, customer oriented appliance company in the world.

Your New XOOTR24BS is backed by
One Year Parts and Labor Warranty on our Performance Collection



PERFORMANCE
COLLECTION



For 90 days, our products
are backed by our unique
Love It or Leave It Guarantee

and our unmatched, 90 Day Love It or Leave It Guarantee on all XO Ventilation

STILL HAVE QUESTIONS - OR -
NEED WORLD CLASS SERVICE
JUST CALL 973-403-8900
AND PUT DECADES OF EXPERIENCE
TO WORK FOR YOU...

Thanks and
Welcome to
XO...

XO

Take just a minute to record you model number and serial number here, just in case

M#

S#

Installation Instructions

Over the Range Microwave Oven

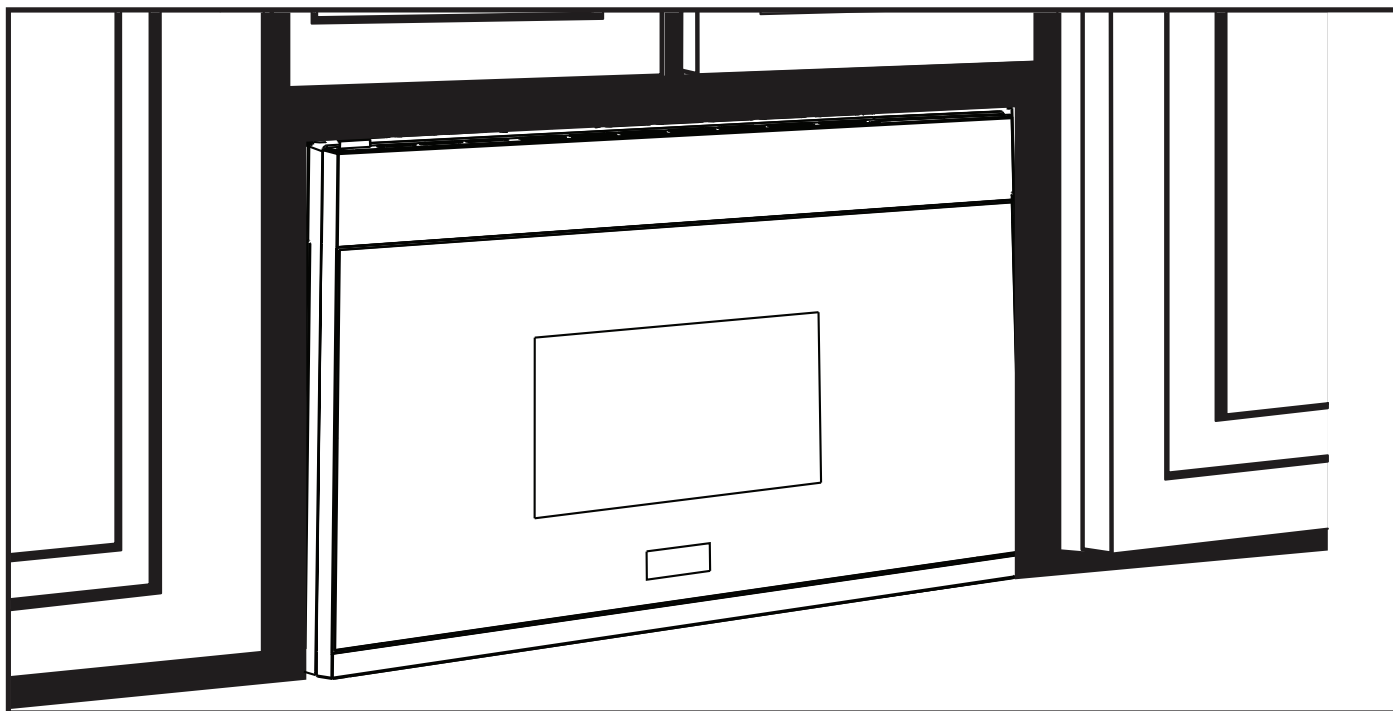
Questions? Call XO Appliance at 1-973-403-8900

BEFORE YOU BEGIN

Read these instructions completely and carefully.

- **IMPORTANT** — Save these instructions for local inspector's use.
- **IMPORTANT** — Observe all governing codes and ordinances.
- **Note to Installer** — Be sure to leave these instructions with the Consumer.
- **Note to Consumer** — Keep these instructions for future reference.
- **Skill level** — Installation of this appliance requires basic mechanical and electrical skills.
- **Proper installation** is the responsibility of the installer.
- **Product failure** due to improper installation is not covered under the Warranty.

MODEL: XOOTR24BS



XO the next level
in luxury appliances

24 Eisenhower Parkway | Roseland, NJ 07068
p. 973.403.8900 | www.xoappliance.com

READ CAREFULLY
KEEP THESE INSTRUCTIONS

p/n A06823411
March 2020

Installation Instructions

CONTENTS

General information

Important Safety Instructions	3
Electrical Requirements	3
Damage – Shipment/Installation.....	4
Parts Included.....	4
Tools You Will Need	5
Mounting Space	5

Step-by-step installation guide

Placement of The Mounting Plate	6–8
Removing the Mounting Plate	6
Finding the Wall Studs.....	6
Determining Wall Plate Location	7
Aligning the Wall Plate	8
Installation Types.....	9–22
Hood Exhaust	10–11

A Outside Top Exhaust	12–15
Attach Mounting Plate to Wall.....	12
Preparation of Top Cabinet.....	13
Adapting Microwave Blower for Outside top Exhaust.....	13–14
Checking for Proper Damper Operation	14
Mount the Microwave Oven	14–15
Adjust the Exhaust Adaptor	15
Connecting Ductwork.....	15

B Outside Back Exhaust.....	16–19
Preparing Rear Wall for Outside Back Exhaust.....	16
Remove Blower Plate.....	16
Attach Mounting Plate to Wall	17
Preparation of Top Cabinet	17

Adapting Microwave Blower for Outside Back Exhaust.....	17–18
--	-------

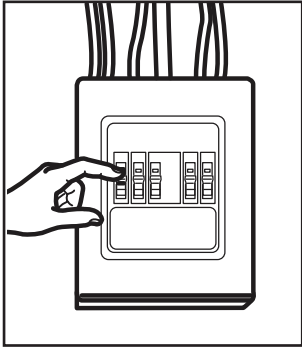
Mount the Microwave Oven	19
--------------------------------	----

C Recirculating	20–22
Attach Mounting Plate to Wall	20
Preparation of Top Cabinet	21
Check Blower Plate	21
Mount the Microwave Oven	21–22
Installing or Changing the Charcoal Filter	22
Before You Use Your Microwave	25
Template Information.....	26

Installation Instructions

IMPORTANT SAFETY INSTRUCTIONS

This product requires a three-prong grounded outlet. The installer must perform a ground continuity check on the power outlet box before beginning the installation to ensure that the outlet box is properly grounded. If not properly grounded, or if the outlet box does not meet electrical requirements noted (under ELECTRICAL REQUIREMENTS), a qualified electrician should be employed to correct any deficiencies.



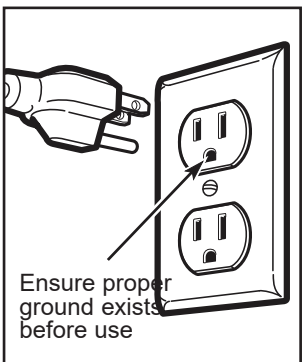
CAUTION: For personal safety, remove house fuse or open circuit breaker before beginning installation to avoid severe or fatal shock injury.

CAUTION: For personal safety, the mounting surface must be capable of supporting the cabinet load, in addition to the added weight of this 63–85 pound (28.5–38.5 kg) product, plus additional oven loads of up to 50 pounds (22.7 kg) or a total weight of 113–135 pounds (51.3–61.2 kg).

CAUTION: For personal safety, this product cannot be installed in cabinet arrangements such as an island or peninsula. It must be mounted to BOTH a top cabinet AND a wall.

NOTE: For easier installation and personal safety, it is recommended that two people install this product.

IMPORTANT – PLEASE READ CAREFULLY. FOR PERSONAL SAFETY, THIS APPLIANCE MUST BE PROPERLY GROUNDED TO AVOID SEVERE OR FATAL SHOCK.



The power cord of this appliance is equipped with a three-prong (grounding) plug which mates with a standard three-prong (grounding) wall receptacle to minimize the possibility of electric shock hazard from this appliance.

Ensure proper ground exists before use

You should have the wall receptacle and circuit checked by a qualified electrician to make sure the receptacle is properly grounded.

Where a standard two-prong wall receptacle is encountered, it is very important to have it replaced with a properly grounded three-prong wall receptacle, installed by a qualified electrician.

DO NOT, UNDER ANY CIRCUMSTANCES, CUT, DEFORM OR REMOVE ANY OF THE PRONGS FROM THE POWER CORD. DO NOT USE WITH AN EXTENSION CORD.

ELECTRICAL REQUIREMENTS

Product rating is 120 volts AC, 60 Hertz, 15 amps, 1.6 kilowatts. This product must be connected to a separate and dedicated supply circuit of the proper voltage and frequency. Wire size must conform to the requirements of the National Electrical Code or the prevailing local code for this kilowatt rating.

The power supply cord and plug should be brought to a separate and dedicated 15- to 20- ampere branch circuit single grounded outlet. The outlet box should be located in the cabinet above the microwave oven. The outlet box and supply circuit should be installed by a qualified electrician and conform to the National Electrical Code or the prevailing local code.


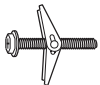


Installation Instructions

DAMAGE—SHIPMENT/ INSTALLATION

- If the unit is damaged in shipment, return the unit to the store in which it was bought for repair or replacement.
- If the unit is damaged by the customer, repair or replacement is the responsibility of the customer.
- If the unit is damaged by the installer (if other than the customer), repair or replacement must be made by arrangement between customer and installer.

PARTS INCLUDED



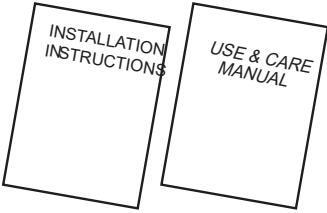
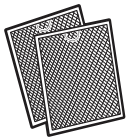
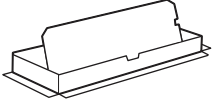


HARDWARE PACKET

PART		QUANTITY
	Wood Screws ($\frac{1}{4}$ " x 2")	2
	Toggle Bolts (and wing nuts) ($\frac{3}{16}$ " x 3")	2
	Self-Aligning Machine Screws ($\frac{1}{4}$ "-28 x $3\frac{1}{4}$ "	3
	Nylon Grommet (for metal cabinets)	1

You will find the installation hardware contained in a packet with the unit. Check to make sure you have all these parts.

NOTE: Some extra parts are included.

PARTS INCLUDED (CONT.) ADDITIONAL PARTS

PART		QUANTITY
	Top Cabinet Template	1
	Rear Wall Template	1
	Installation Instructions	1
	Use & Care Manual	1
	Separately Packed Grease Filters	2
	Exhaust adaptor	1
	Glass Tray	1
	Turntable Ring	1

Installation Instructions

TOOLS YOU WILL NEED



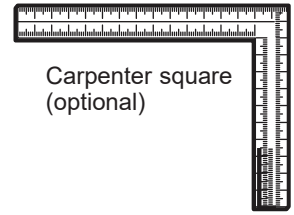
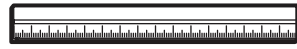
1 Phillips screwdriver



Pencil



Ruler or tape measure and straight edge



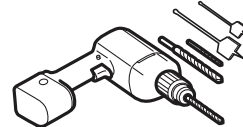
Carpenter square (optional)



Tin snips (for cutting damper, if required)



Scissors (to cut template)



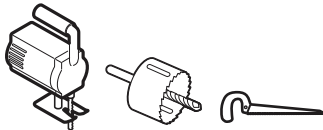
Electric drill with drill bits $\frac{3}{16}$ " $\frac{1}{2}$ " and $\frac{5}{8}$ "



Filler blocks or scrap wood pieces, if needed for top cabinet spacing (used on recessed bottom cabinet installations only)



Gloves



Saw (saber, hole or keyhole)



Stud finder



Hammer (optional)



Safety goggles

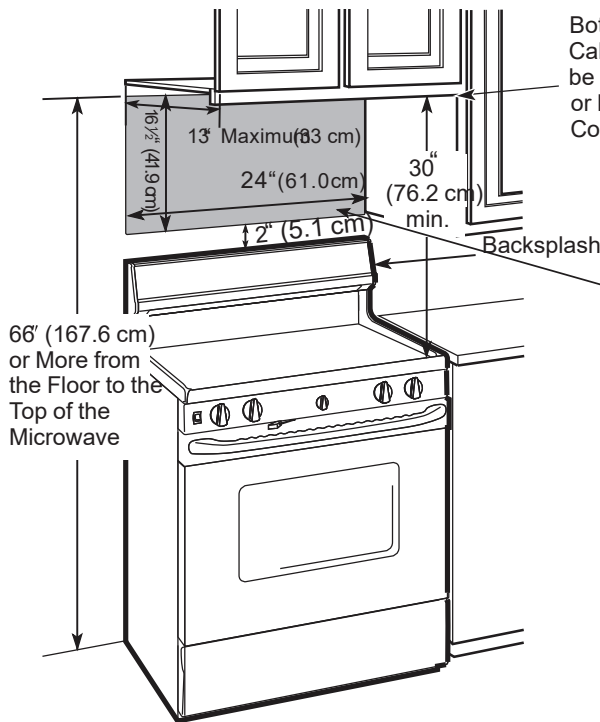


Level



Duct and masking tape

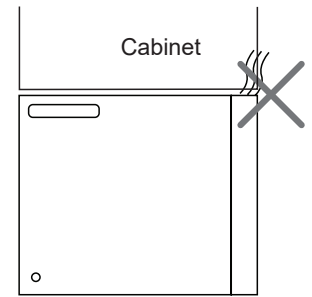
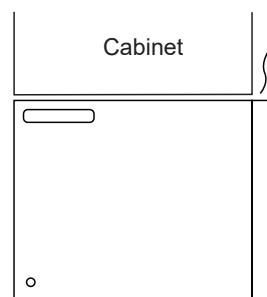
MOUNTING SPACE



Bottom Edge of Cabinet Needs to be 30" (76.2 cm) or More from the Cooking Surface

NOTES

- The space between the cabinets must be 24" (61.0cm) wide and free of obstructions.
- If you are going to vent your microwave oven to the outside, see Hood Exhaust Section for exhaust duct preparation.
- When installing the microwave oven beneath smooth, flat cabinets, be careful to follow the instructions on the top cabinet template for power cord clearance.
- As a guide to installation, see page 24 for Mounting Template Information.
- If the cabinet depth including the cabinet doors is more than 13" then the unit must be spaced out from wall using adequate materials supporting 150 lbs to allow proper top vent air exhaust/intake.

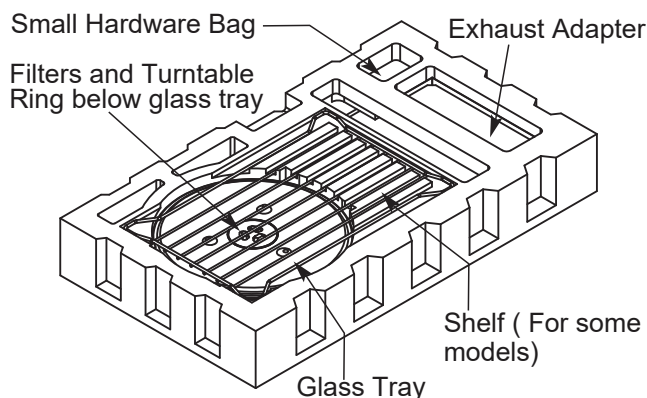


Installation Instructions

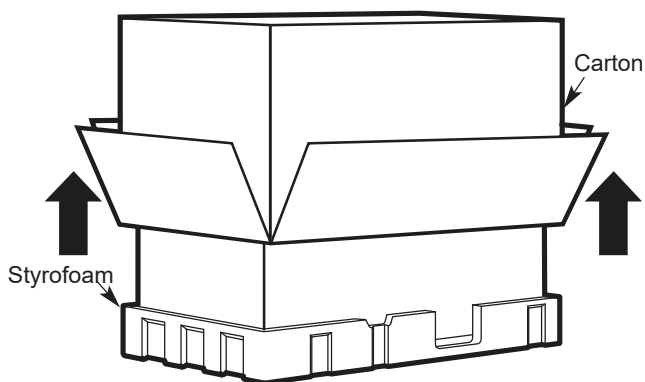
1 PLACEMENT OF THE MOUNTING PLATE

A. REMOVING THE MICROWAVE OVEN FROM THE CARTON/ REMOVING THE MOUNTING PLATE

- 1 Remove the installation instructions, use and care, exhaust adapter, turntable ring, shelf, filters, glass tray and the small hardware bag. Do not remove the Styrofoam protecting the front of the oven.

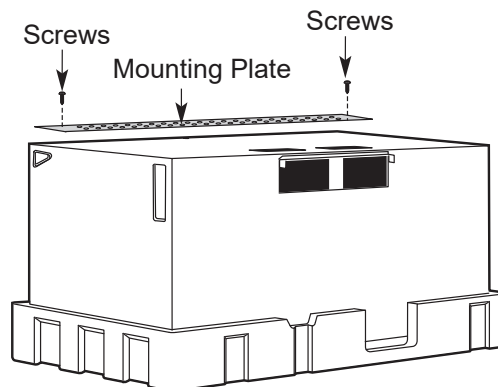


- 2 Fold back all 4 carton flaps fully against carton sides. Then carefully roll the oven and carton over onto the top side. The oven should be resting in the Styrofoam.



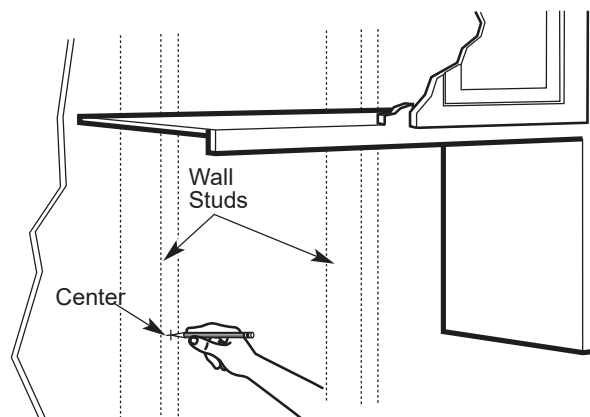
- 3 Pull the carton up and off the oven.

- 4 Cut the middle of the outer protective plastic bag to remove the mounting plate



- 5 Remove the screws from each end of the mounting plate. The plate will be used as a rear wall template and for mounting. Reinstall the screws in the holes where they were removed.

B. FINDING THE WALL STUDS



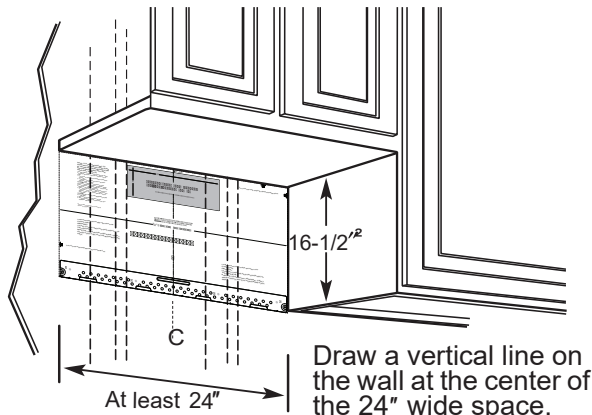
- 1 Find the studs, using one of the following methods:
 - A. Stud finder – a magnetic device which locates nails.
 - B. Use a hammer to tap lightly across the mounting surface to find a solid sound. This will indicate a stud location.
- 2 After locating the stud(s), find the center by probing the wall with a small nail to find the edges of the stud. Then place a mark halfway between the edges. The center of any adjacent studs should be 16" (40.6 cm) or 24" (61 cm) from this mark.
- 3 Draw a line down the center of the studs.

THE MICROWAVE MUST BE CONNECTED TO AT LEAST ONE WALL STUD.

Installation Instructions

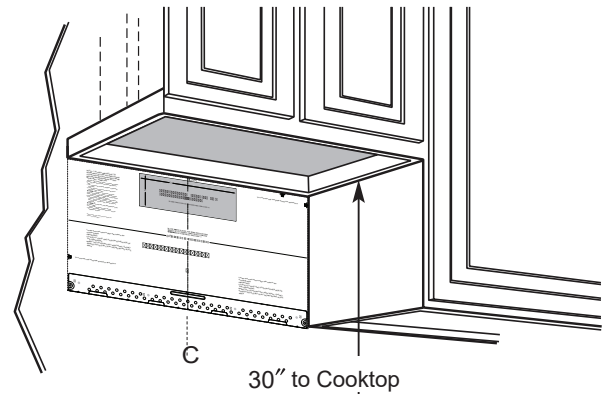
C. DETERMINING WALL PLATE LOCATION UNDER YOUR CABINET

Plate position - beneath flat bottom cabinet



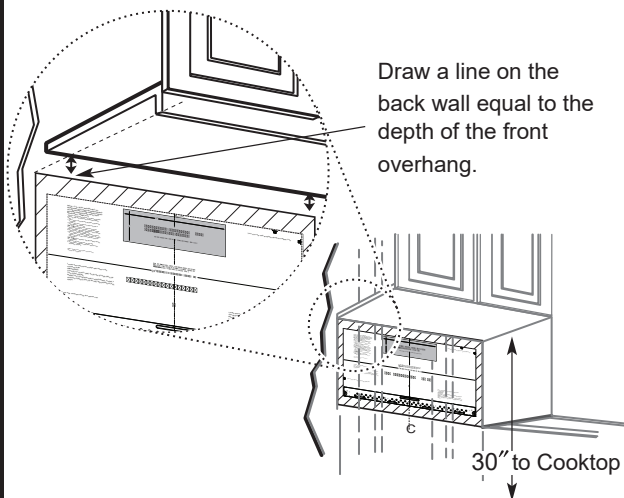
Draw a vertical line on the wall at the center of the 24" wide space.
Tape the Rear Wall Template onto the wall matching the centerline and touching the bottom of the cabinet.

Plate position - beneath framed recessed cabinet bottom



Draw a vertical line on the wall at the center of the 24" space.
Tape the Rear Wall Template onto the wall matching the centerline and touching the bottom cabinet frame.

Plate position - beneath recessed bottom cabinet with front overhang



Draw a line on the back wall equal to the depth of the front overhang.

Your cabinets may have decorative trim that interferes with the microwave installation. Remove the decorative trim to install the microwave properly and to make it level.

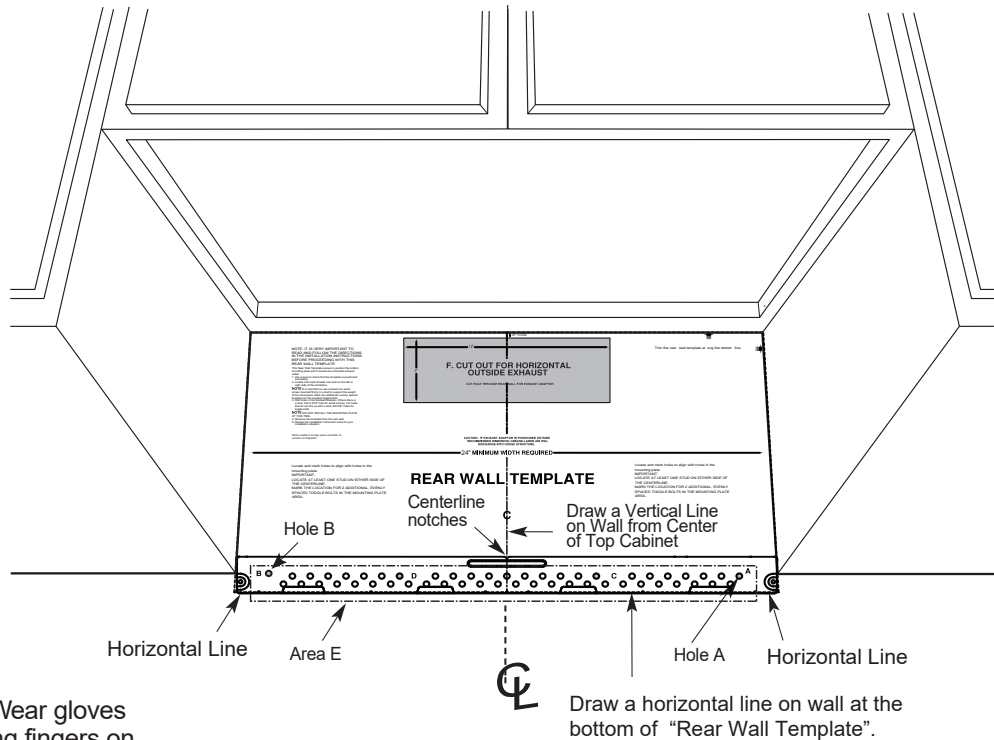
THE MICROWAVE MUST BE LEVEL.

Use a level to make sure the cabinet bottom is level. If the cabinets have a front overhang only, with no back or side frame, install the mounting plate down the same distance as the front overhang depth. This will keep the microwave level.

- 1 Measure the inside depth of the front overhang.
- 2 Draw a horizontal line on the back wall an equal distance below the cabinet bottom as the inside depth of the front overhang.
- 3 For this type of installation with front overhang only, align the mounting tabs with this horizontal line, not touching the cabinet bottom as described in Step D.

Installation Instructions

D. ALIGNING THE WALL PLATE



CAUTION: Wear gloves to avoid cutting fingers on sharp edges.

- 1 Draw a vertical line on the wall at the center of the 24" wide space.
- 2 Draw a horizontal line on the wall at the bottom of "Rear Wall Template".
- 3 Find a wall stud in area "E" of mounting plate Refer to section 1B. Finding the wall studs.
- 4 For attaching the mounting plate into stud drill a 3/16" hole into wood stud. Drill a 5/8" hole for toggle bolt in 1 other location (Hole A or Hole B)
NOTE: DO NOT MOUNT THE PLATE AT THIS TIME.

NOTE: Holes A and B are inside area E. If neither of Holes A and B are not in a stud, find a stud somewhere in area E and draw a circle to line up with the stud. It is important to have at least one wood screw mounted firmly in a stud to support the weight of the microwave. Set the mounting plate aside.

Installation Instructions

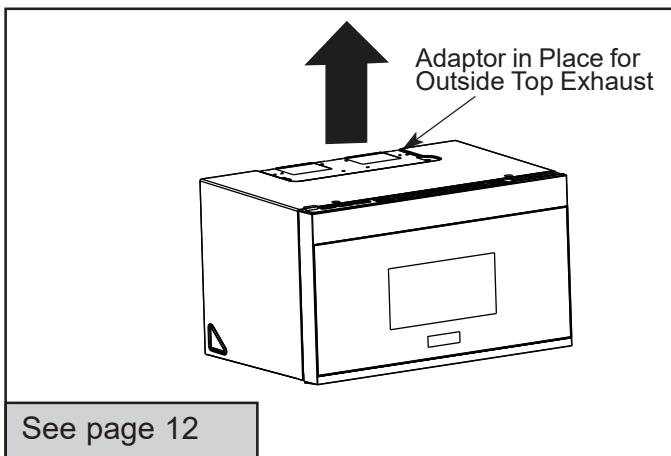
2 INSTALLATION TYPES (Choose A, B or C)

This microwave oven is designed for adaptation to the following three types of ventilation:

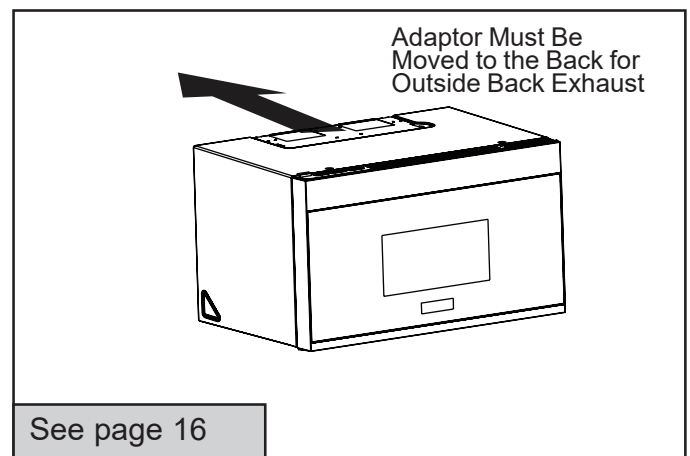
- A. Outside Top Exhaust (Vertical Duct)
- B. Outside Back Exhaust (Horizontal Duct)
- C. Recirculating (Non-Vented Ductless)

NOTE: This microwave is shipped assembled for Recirculating. Select the type of ventilation required for your installation and proceed to that section.

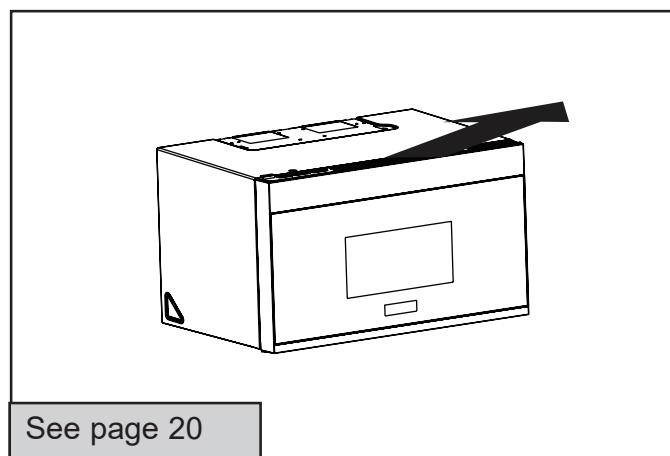
A OUTSIDE TOP EXHAUST (VERTICAL DUCT)



B OUTSIDE BACK EXHAUST (HORIZONTAL DUCT)



C RECIRCULATING (NON-VENTED DUCTLESS)



Models are shipped for recirculating exhaust. A disposable charcoal filter is already installed to help remove smoke and odors.

NOTE: Read the next two pages only if you plan to vent your exhaust to the outside. If you plan to recirculate the air back into the room, proceed to page 20.

Installation Instructions

INSTALLATION INSTRUCTIONS FOR EXTERNAL EXHAUST DUCTING

NOTE: If you need to install ducts, note that the total duct length of 3¼" x 10" (8.2 x 25.4 cm) rectangular or 5" (12.7 cm) diameter / 6" (15.2 cm) diameter round duct should not exceed 120 equivalent feet (36.5 m).

Outside ventilation requires an EXTERNAL EXHAUST DUCT. Read the following carefully.

NOTE: It is important that venting be installed using the most direct route and with as few elbows as possible. This ensures clear venting of exhaust and helps prevent blockages. Also, make sure dampers swing freely and nothing is blocking the ducts.

Exhaust connection:





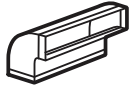
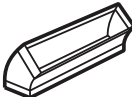


The exhaust adaptor has been designed to mate with a standard 3¼" x 10" (8.2 x 25.4 cm) rectangular duct.

If a round duct is required, a rectangular-to-round transition adaptor must be used. 5" (12.7 cm) / 6" (15.2 cm) diameter duct is acceptable to use.

Maximum duct length:

For satisfactory air movement, the total duct length of 3¼" x 10" (8.2 x 25.4 cm) rectangular or 5" (12.7 cm) diameter / 6" (15.2 cm) diameter round duct should not exceed 120 equivalent feet (36.5 m).

Elbows, transitions, wall and roof caps, etc., present additional resistance to airflow and are equivalent to a section of straight duct which is longer than their actual physical size. When calculating the total duct length, add the equivalent lengths of all transitions and adaptors plus the length of all straight duct sections. The chart below shows you how to calculate total equivalent ductwork length using the approximate feet of equivalent length of some typical ducts.

DUCT PIECES	EQUIVALENT LENGTH	x	NUMBER USED	=	EQUIVALENT LENGTH
 Rectangular-to-Round Transition Adaptor*	5 ft (1.5 m)	x	()	=	ft or m
 Wall Cap	40 ft (12.2 m)	x	()	=	ft or m
 90° Elbow	10 ft (3 m)	x	()	=	ft or m
 45° Elbow	5 ft (1.5 m)	x	()	=	ft or m
 90° Elbow	25 ft (7.6 m)	x	()	=	ft or m
 45° Elbow	5 ft (1.5 m)	x	()	=	ft or m
 Roof Cap	24 ft (7.3 m)	x	()	=	ft or m
 6" (15.24 cm) Round or 3¼" x 10" Rectangular (8.2 x 25.4 cm)	1 ft (0.3 m)	x	()	=	ft or m
Total Ductwork				=	ft or m



* IMPORTANT: If a rectangular-to-round transition adaptor is used, the bottom corners of the damper will have to be cut to fit, using the tin snips, in order to allow free movement of the damper.

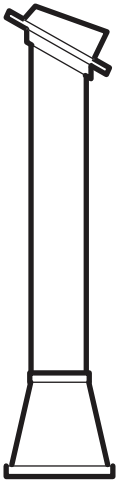
Equivalent lengths of duct pieces are based on actual tests and reflect requirements for good venting performance with any vent hood.

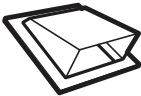


Installation Instructions

EXTERNAL EXHAUST DUCTING

OUTSIDE TOP EXHAUST (EXAMPLE ONLY)

The following chart describes an example of one possible ductwork installation.

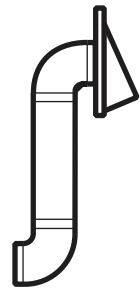




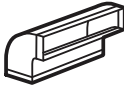
DUCT PIECES		EQUIVALENT LENGTH	x	NUMBER USED	=	EQUIVALENT LENGTH	
	Roof Cap	24 ft (7.3 m)	x	(1)	=	24 ft or 7.3 m	
	12 Ft. (3.6 m) Duct 6" 15.2 cm Round	1 ft (0.3 m)	x	(12)	=	12 ft or 3.6 m	
	Rectangular-to-Round Transition Adaptor*	5 ft (7.6 m)	x	(1)	=	5 ft or 15.2 m	
Equivalent lengths of duct pieces are based on actual tests and reflect requirements for good venting performance with any hood.					Total Ductwork	=	41 ft or 10.4 m

* IMPORTANT: If a rectangular-to-round transition adaptor is used, the bottom corners of the damper will have to be cut to fit, using the tin snips, in order to allow free movement of the damper.

OUTSIDE BACK EXHAUST (EXAMPLE ONLY)

The following chart describes an example of one possible ductwork installation.



DUCT PIECES		EQUIVALENT LENGTH*	x	NUMBER USED	=	EQUIVALENT LENGTH	
	Wall Cap	24 ft (7.3 m)	x	(1)	=	24 ft or 7.3 m	
	3 Ft. Straight Duct 3 1/4" x 10" (8.2 x 25.4 cm) Rectangular	1 ft (0.3 m)	x	(3)	=	3 ft or 0.9 m	
	90° Elbow	25 ft (7.6 m)	x	(2)	=	50 ft or 15.2 m	
Equivalent lengths of duct pieces are based on actual tests and reflect requirements for good venting performance with any hood.					Total Ductwork	=	74 ft or 20.9 m

NOTE: For back exhaust, care should be taken to align exhaust with space between studs, or wall should be prepared at the time it is constructed by leaving enough space between the wall studs to accommodate exhaust.

Installation Instructions

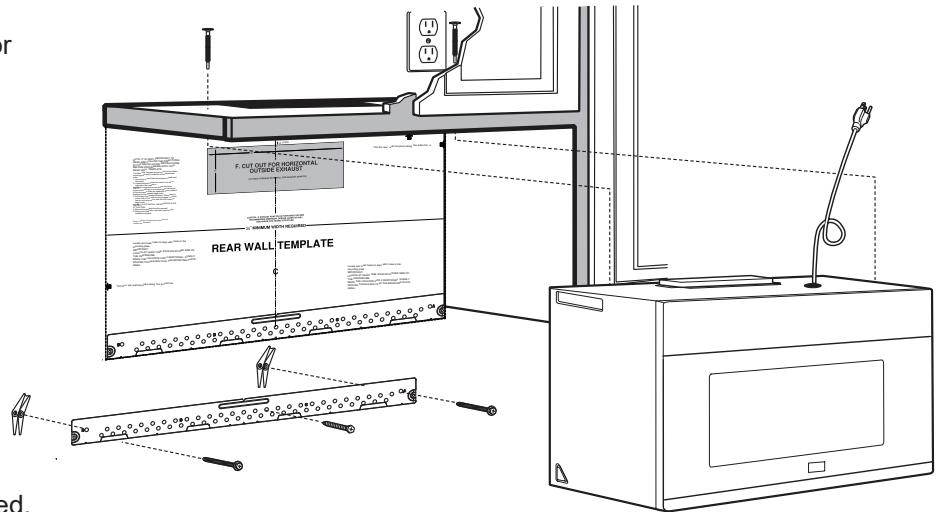
A OUTSIDE TOP EXHAUST (Vertical Duct)

INSTALLATION OVERVIEW

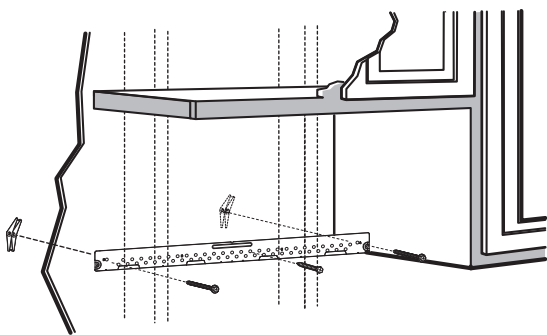
- A1. Attach Mounting Plate to Wall
- A2. Prepare Top Cabinet
- A3. Adapting Microwave Blower for Outside Top Exhaust
- A4. Check Damper Operation
- A5. Mount Microwave Oven
- A6. Adjust Exhaust Adaptor
- A7. Connect Ductwork

IMPORTANT NOTES:

- Make sure the screws for the blower motor and blower plate are securely tightened when they are reinstalled. This will help to prevent excessive vibration.
- Make sure the motor wiring has been properly routed and secured, and that the wires are not pinched.



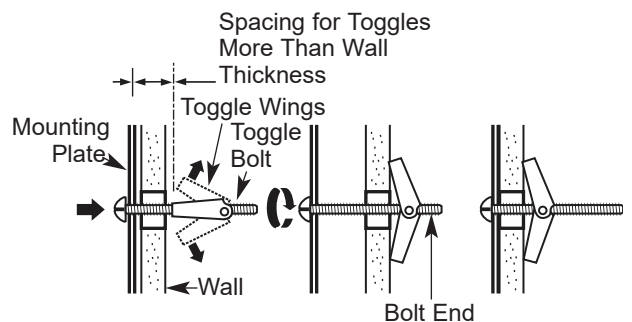
A1. ATTACH THE MOUNTING PLATE TO THE WALL



Attach the plate to the wall using toggle bolts. At least one wood screw must be used to attach the plate to a wall stud.

- 1 Remove the toggle wings from the bolts.
- 2 Insert the bolts into the mounting plate through the holes designated to go into drywall and reattach the toggle wings to $\frac{3}{4}$ " (19 mm) onto each bolt.

To use toggle bolts:



- 3 Place the mounting plate against the wall and insert the toggle wings into the holes in the wall to mount the plate.

NOTE: Before tightening toggle bolts and wood screw, make sure the bottom of the mounting plate touch the bottom of the cabinet when pushed flush against the wall and that the plate is properly centered under the cabinet.

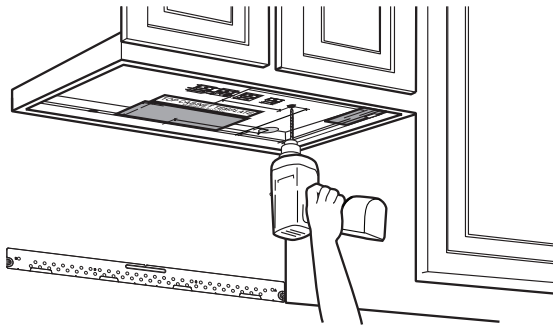
CAUTION: Be careful to avoid pinching fingers between the back of the mounting plate and the wall.

- 4 Tighten all bolts. Pull the plate away from the wall to help tighten the bolts.

Installation Instructions

A2. USE TOP CABINET TEMPLATE FOR PREPARATION OF TOP CABINET

You need to drill holes for the top support screws, a hole large enough for the power cord to fit through, and a cutout large enough for the exhaust adaptor.

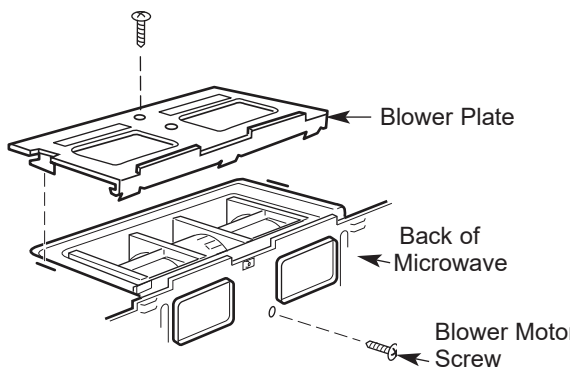


- Read the instructions on the TOP CABINET TEMPLATE.
- Tape it underneath the top cabinet.
- Drill the holes, following the instructions on the TOP CABINET TEMPLATE.

CAUTION: Wear safety goggles when drilling holes in the cabinet bottom.

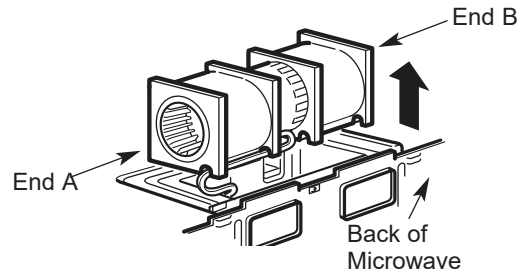
A3. ADAPTING MICROWAVE BLOWER FOR OUTSIDE TOP EXHAUST

- 1 Place the microwave in its upright position, with the top of the unit facing up.

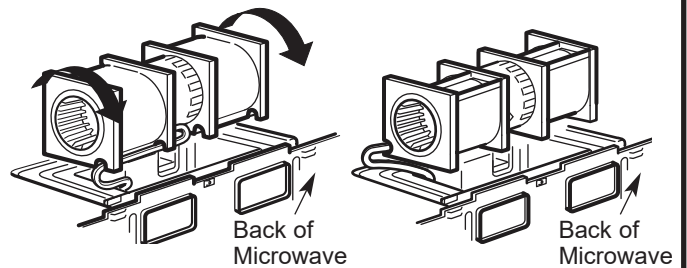


Remove the screw that holds the blower plate to the microwave. Remove and save the screw holding the blower motor to the microwave.

- 2 Carefully pull out the blower unit. The wires will extend far enough to allow you to adjust the blower unit.

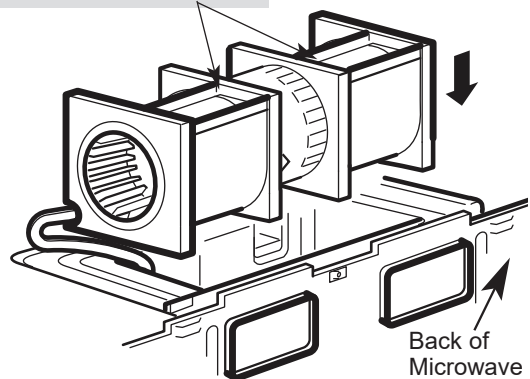


- 3 Roll the blower unit 90° so that fan blade openings are facing out the top of the microwave.



- 4 Place the blower unit back into the opening.

AFTER: Fan Blade Openings Facing Top

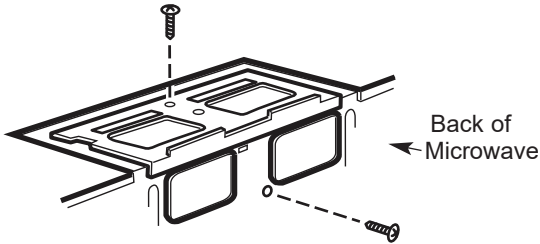


CAUTION: Do not pull or stretch the blower unit wiring. Make sure the wires are not pinched, and that they are properly secured.

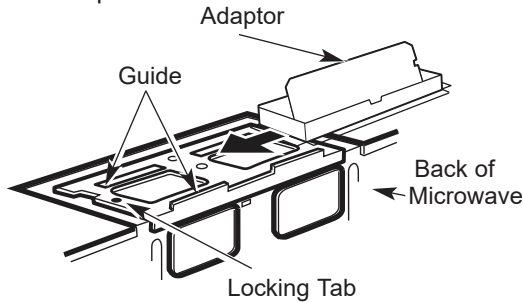
Installation Instructions

A3. ADAPTING MICROWAVE BLOWER FOR OUTSIDE TOP EXHAUST

- 5 Secure blower unit to microwave with the screw removed in Step 1. Make sure the screw is tight.
- 6 Replace blower plate with the screw removed in Step 1. Make sure the screw is tight.

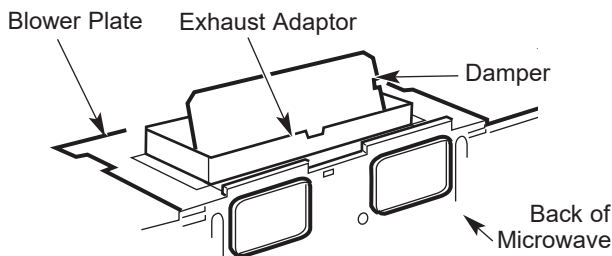


- 7 Attach the exhaust adaptor to the top of the blower plate by sliding it into the guides of the blower plate.



Push in securely until it is in the locking tabs. Take care to assure that the damper hinges installed so that the damper swings freely.

A4. CHECK FOR PROPER DAMPER OPERATION



- Make sure tape securing damper is removed and damper pivots easily before mounting microwave.
- You will need to make adjustments to assure proper alignment with your house exhaust duct after the microwave is installed.

A5. MOUNT THE MICROWAVE OVEN



FOR EASIER INSTALLATION AND PERSONAL SAFETY, WE RECOMMEND THAT TWO PEOPLE INSTALL THIS MICROWAVE OVEN.

IMPORTANT: Do not grip or use the handle or heat shield during installation. Do not remove the cardboard spacers between the heat shield and door.

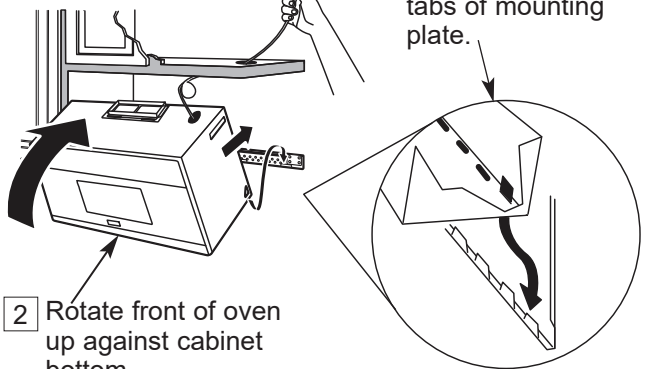
NOTE: If your cabinet is metal, use the nylon grommet around the power cord hole to prevent cutting of the cord.

NOTE: We recommend using filler blocks if the cabinet front hangs below the cabinet bottom shelf.

IMPORTANT: If filler blocks are not used, case damage may occur from overtightening screws.

NOTE: When mounting the microwave oven, thread power cord through hole in bottom of top cabinet. Keep it tight throughout Steps 1-3. Do not pinch cord or lift oven by pulling cord.

- 1 Lift microwave, tilt it forward, and hook slots at back bottom edge onto four lower tabs of mounting plate.

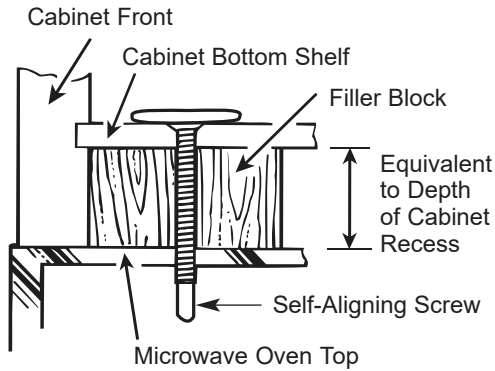


- 2 Rotate front of oven up against cabinet bottom.

- 3 Insert a self-aligning screw through top center cabinet hole. Temporarily secure the oven by turning the screw at least two full turns after the threads have engaged (It will be completely tightened later.) Be sure to keep power cord tight. Be careful not to pinch the cord, especially when mounting flush to bottom of cabinet.

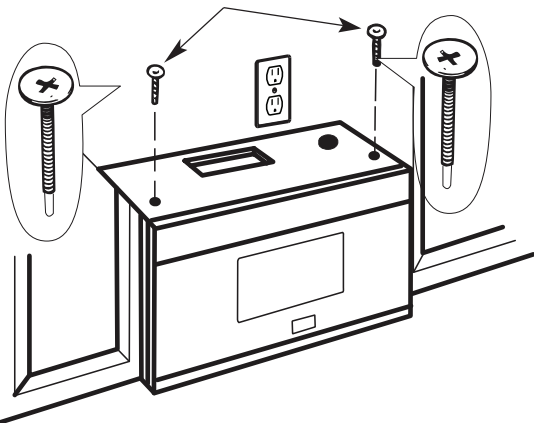
Installation Instructions

A5. MOUNT THE MICROWAVE OVEN (cont.)

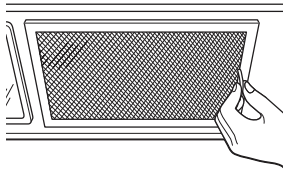


4 Attach the microwave oven to the top cabinet.

5 Insert 2 self-aligning screws through outer top cabinet holes. Turn two full turns on each screw.



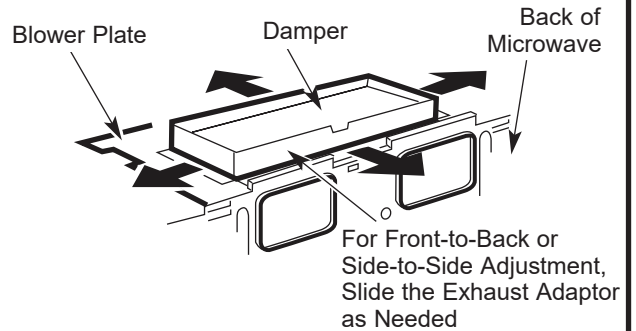
6 Tighten the outer two screws to the top of the microwave oven. (While tightening screws, hold the microwave oven in place against the wall and the top cabinet.)



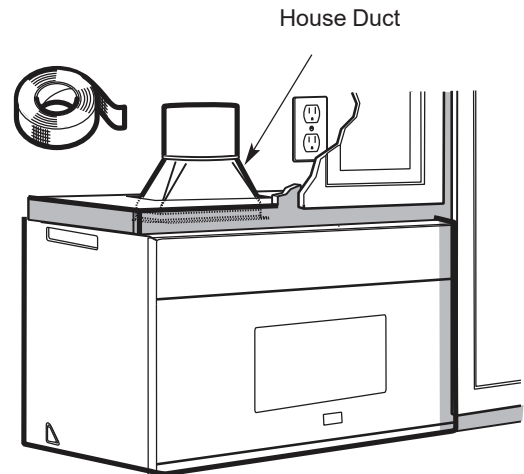
7 Install grease filters. See the Use and Care packed with the microwave.

A6. ADJUST THE EXHAUST ADAPTOR

Open the top cabinet and adjust the exhaust adaptor to connect to the house duct.



A7. CONNECTING DUCTWORK



- 1 Extend the house duct down to connect to the exhaust adaptor.
- 2 Seal exhaust duct joints using furnace duct tape for high temperature applications.

Installation Instructions

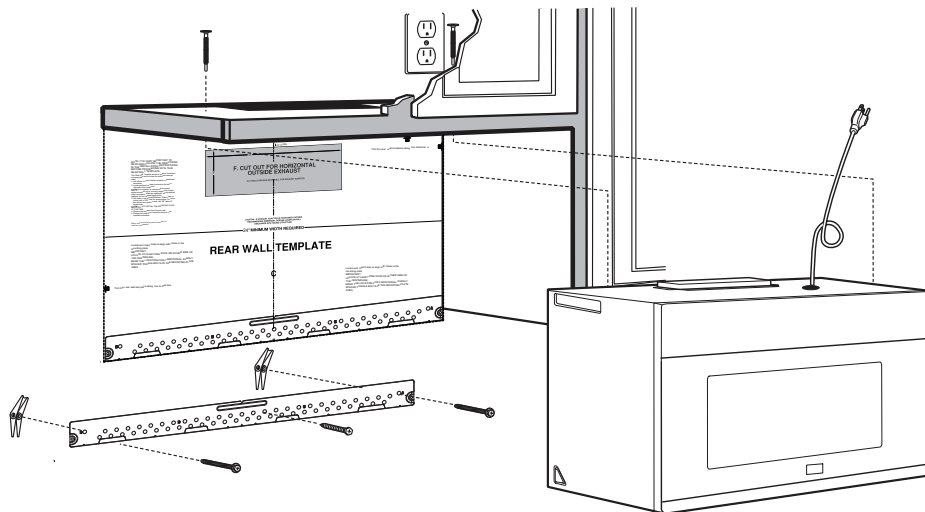
B OUTSIDE BACK EXHAUST (Horizontal Duct)

INSTALLATION OVERVIEW

- B1. Prepare Rear Wall
- B2. Remove Blower Plate
- B3. Attach Mounting Plate to Wall
- B4. Prepare Top Cabinet
- B5. Adjust Blower
- B6. Mount the Microwave Oven

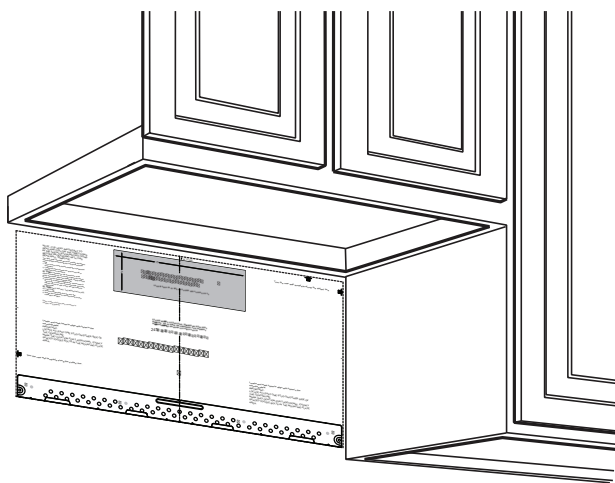
IMPORTANT NOTES:

- Make sure the screws for the blower motor and blower plate are securely tightened when they are reinstalled. This will help to prevent excessive vibration.
- Make sure the motor wiring has been properly routed and secured, and that the wires are not pinched.



B1. PREPARING THE REAR WALL FOR OUTSIDE BACK EXHAUST

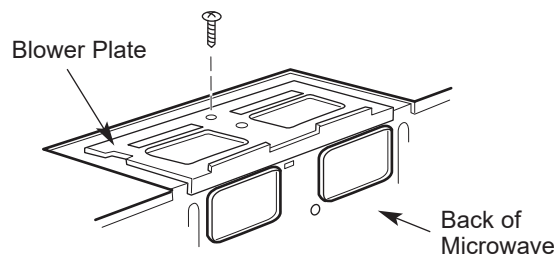
You need to cut an opening in the rear wall for outside exhaust.



- Read the instructions on the REAR WALL TEMPLATE.
- Tape it to the rear wall.
- Cut the opening, following the instructions of the REAR WALL TEMPLATE.

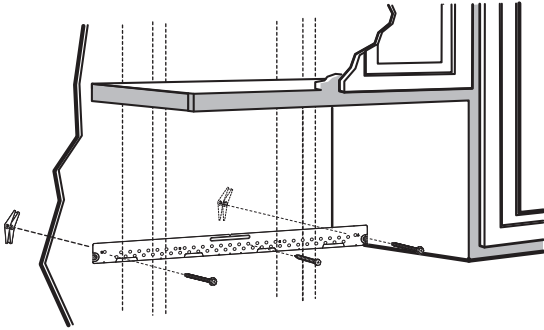
B2. REMOVE BLOWER PLATE

Remove and save the screw that holds the blower plate to the microwave. Lift off the blower plate.



Installation Instructions

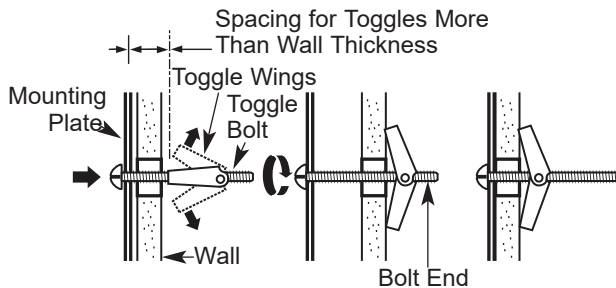
B3. ATTACH THE MOUNTING PLATE TO THE WALL



Attach the plate to the wall using toggle bolts. At least one wood screw must be used to attach the plate to a wall stud.

- 1 Remove the toggle wings from the bolts.
- 2 Insert the bolts into the mounting plate through the holes designated to go into drywall and reattach the toggle wings to $\frac{3}{4}$ " (19 mm) onto each bolt.

To use toggle bolts:



- 3 Place the mounting plate against the wall and insert the toggle wings into the holes in the wall to mount the plate.

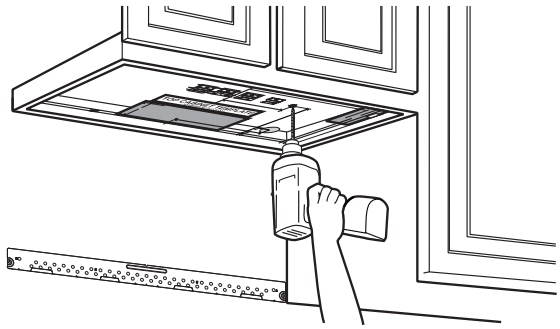
NOTE: Before tightening toggle bolts and wood screw, make sure the bottom of the mounting plate touch the bottom of the cabinet when pushed flush against the wall and that the plate is properly centered under the cabinet.

CAUTION: Be careful to avoid pinching fingers between the back of the mounting plate and the wall.

- 4 Tighten all bolts. Pull the plate away from the wall to help tighten the bolts.

B4. USE TOP CABINET TEMPLATE FOR PREPARATION OF TOP CABINET

You need to drill holes for the top support screws and a hole large enough for the power cord to fit through.

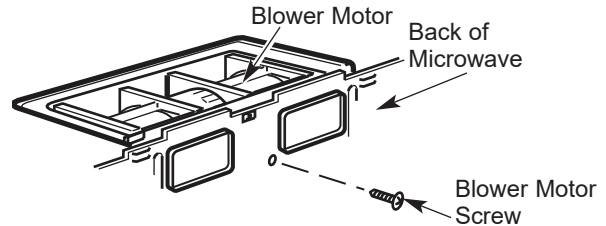


- Read the instructions on the TOP CABINET TEMPLATE.
- Tape it underneath the top cabinet.
- Drill the holes, following the instructions on the TOP CABINET TEMPLATE.

CAUTION: Wear safety goggles when drilling holes in the cabinet bottom.

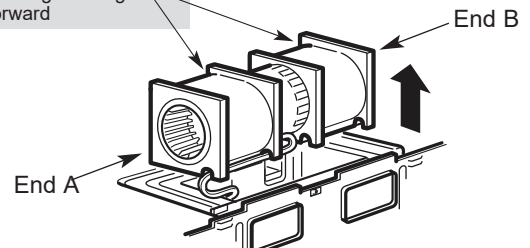
B5. ADAPTING MICROWAVE BLOWER FOR OUTSIDE BACK EXHAUST

- 1 Remove and save screw that holds blower motor to microwave.



- 2 Carefully pull out the blower unit. The wires will extend far enough to allow you to adjust the blower unit.

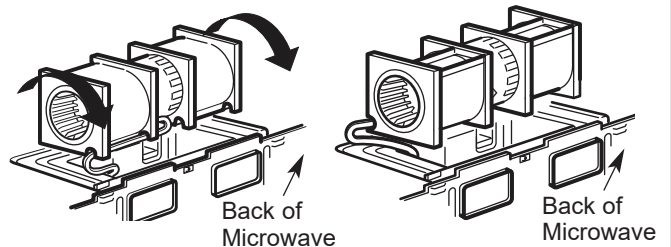
Before: Fan Blade Openings Facing Forward



- 3 Roll the blower unit 90°

Before Rotation

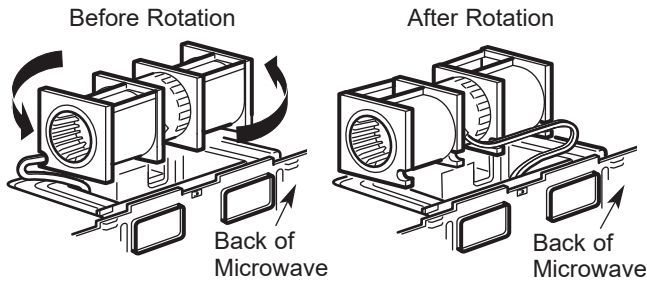
After Rotation



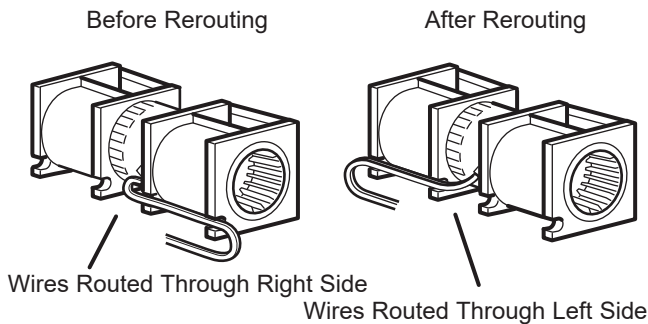
Installation Instructions

B5. ADAPTING MICROWAVE BLOWER FOR OUTSIDE BACK EXHAUST (cont.)

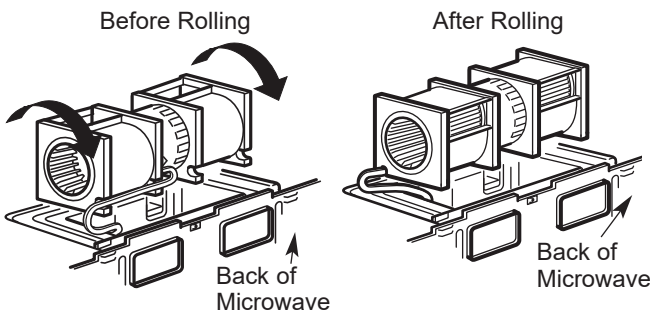
- 4 Rotate blower unit counterclockwise 180°.



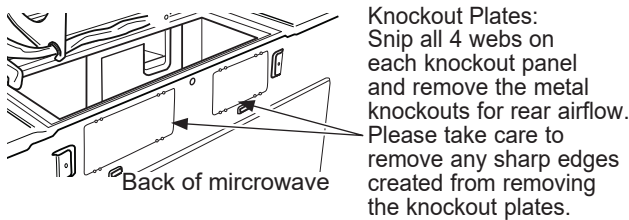
- 5 Gently remove the wires from the grooves. Reroute the wires through grooves on other side of the blower unit.



- 6 Roll the blower unit 90° so that fan blade openings are facing out the back of the microwave.

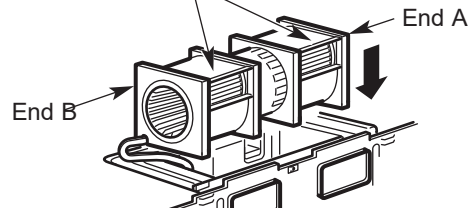


- 7 Remove the knockout plates in the back of the unit with snips. (For some models)



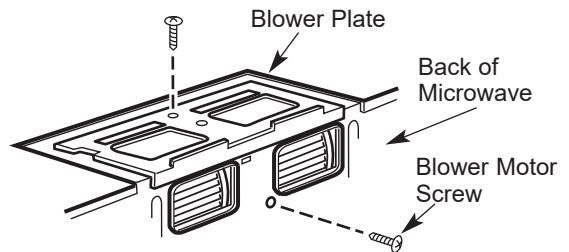
- 8 Place the blower unit back into the opening.

AFTER: Fan Blade Openings Facing Back



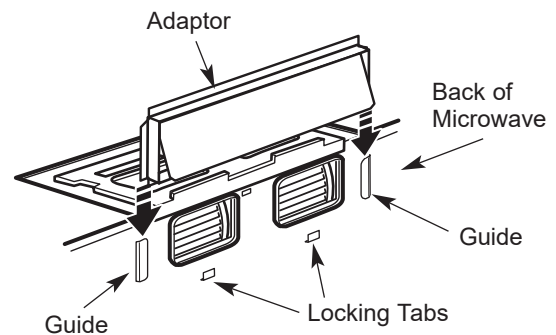
CAUTION: Do not pull or stretch the blower unit wiring. Make sure the wires are not pinched, and that they are properly secured.
NOTE: The blower unit exhaust openings should match exhaust openings on rear of microwave oven.

- 9 Secure the blower unit to the microwave with the original screw.



- 10 Replace the blower plate in the same position as before with the screw. Make sure the screw is tight.

- 11 Attach the exhaust adaptor to the rear of the oven by sliding it into the guides at the top center of the back of the oven.



Push in securely until it is in the lower locking tabs. Take care to assure that the damper hinge is installed so that it is at the top and that the damper swings freely.

Installation Instructions

B6. MOUNT THE MICROWAVE OVEN



FOR EASIER INSTALLATION AND PERSONAL SAFETY, WE RECOMMEND THAT TWO PEOPLE INSTALL THIS MICROWAVE OVEN.

IMPORTANT: Do not grip or use the handle or heat shield during installation. Do not remove the cardboard spacers between the heat shield and door.

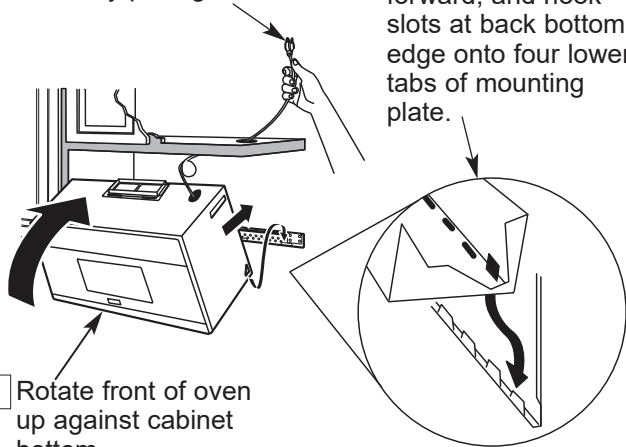
NOTE: If your cabinet is metal, use the nylon grommet around the power cord hole to prevent cutting of the cord.

NOTE: We recommend using filler blocks if the cabinet front hangs below the cabinet bottom shelf.

IMPORTANT: If filler blocks are not used, case damage may occur from overtightening screws.

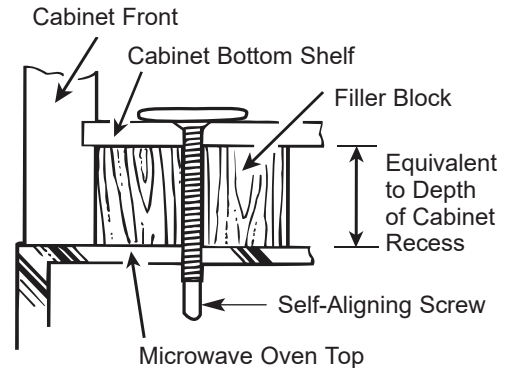
NOTE: When mounting the microwave oven, thread power cord through hole in bottom of top cabinet. Keep it tight throughout Steps 1–3. Do not pinch cord or lift oven by pulling cord.

1 Lift microwave, tilt it forward, and hook slots at back bottom edge onto four lower tabs of mounting plate.



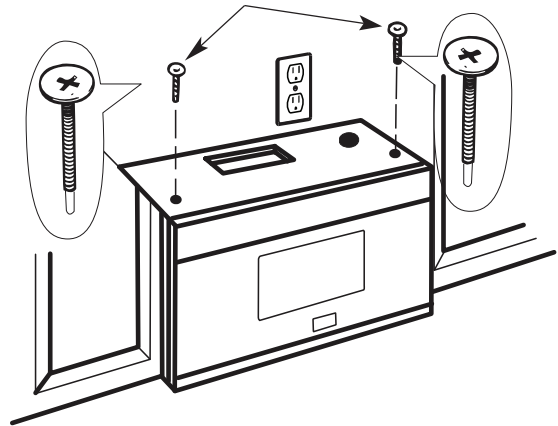
2 Rotate front of oven up against cabinet bottom.

3 Insert a self-aligning screw through top center cabinet hole. Temporarily secure the oven by turning the screw at least two full turns after the threads have engaged (It will be completely tightened later.) Be sure to keep power cord tight. Be careful not to pinch the cord, especially when mounting flush to bottom of cabinet.

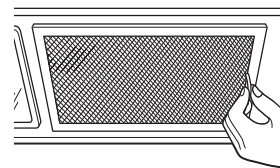


4 Attach the microwave oven to the top cabinet.

5 Insert 2 self-aligning screws through outer top cabinet holes. Turn two full turns on each screw.



7 Tighten the outer two screws to the top of the microwave oven. (While tightening screws, hold the microwave oven in place against the wall and the top cabinet.)



8 Install grease filters. See the Use and Care packed with the microwave.

Installation Instructions

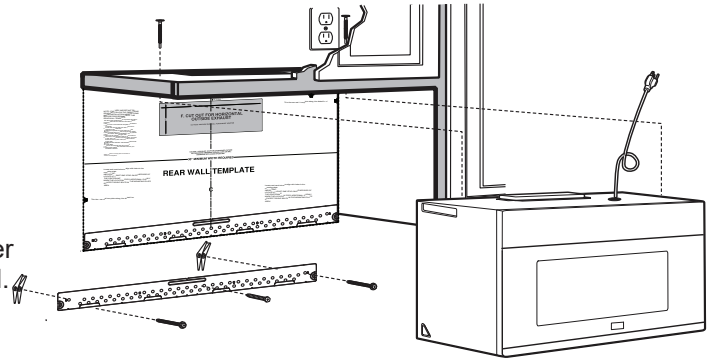
C RECIRCULATING (Non-Vented Ductless)

INSTALLATION OVERVIEW

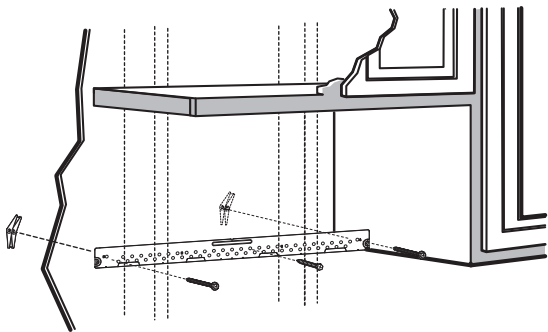
- C1. Attach Mounting Plate to Wall
- C2. Prepare Top Cabinet
- C3. Check Blower Plate
- C4. Mount the Microwave Oven
- C5. Install or change Charcoal Filter

IMPORTANT NOTES:

- Make sure the screws for the blower motor and blower plate are securely tightened when they are reinstalled. This will help to prevent excessive vibration.
- Make sure the motor wiring has been properly routed and secured, and that the wires are not pinched.

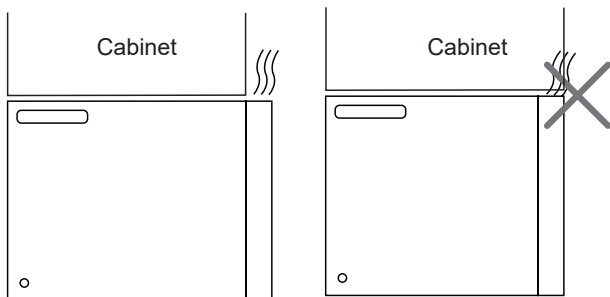


C1. ATTACH THE MOUNTING PLATE TO THE WALL



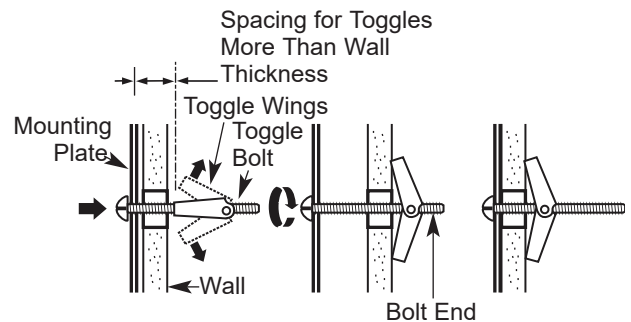
Attach the plate to the wall using toggle bolts. At least one wood screw must be used to attach the plate to a wall stud.

NOTE: If the cabinet depth including the cabinet doors is more than 13" then the unit must be spaced out from wall using adequate materials supporting 150 lbs to allow proper top vent air exhaust/intake.



- 1 Remove the toggle wings from the bolts.
- 2 Insert the bolts into the mounting plate through the holes designated to go into drywall and reattach the toggle wings to $\frac{3}{4}$ " (19 mm) onto each bolt.

To use toggle bolts:



- 3 Place the mounting plate against the wall and insert the toggle wings into the holes in the wall to mount the plate.

NOTE: Before tightening toggle bolts and wood screw, make sure the bottom of the mounting plate touch the bottom of the cabinet when pushed flush against the wall and that the plate is properly centered under the cabinet.

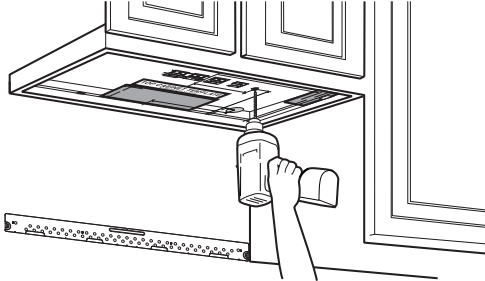
CAUTION: Be careful to avoid pinching fingers between the back of the mounting plate and the wall.

- 4 Tighten all bolts. Pull the plate away from the wall to help tighten the bolts.

Installation Instructions

C2. USE TOP CABINET TEMPLATE FOR PREPARATION OF TOP CABINET

You need to drill holes for the top support screws and a hole large enough for the power cord to fit through.



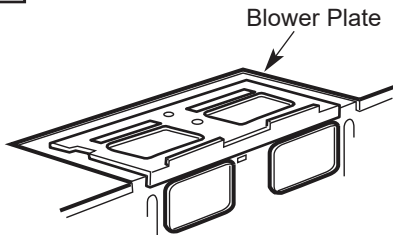
- Read the instructions on the TOP CABINET TEMPLATE.
- Tape it underneath the top cabinet.

NOTE: Adjust top template accordingly if the microwave is being spaced out from the wall due to cabinet depth (including cabinet doors) of more than 13".

- Drill the holes, following the instructions on the TOP CABINET TEMPLATE.

CAUTION: Wear safety goggles when drilling holes in the cabinet bottom.

C3. CHECK BLOWER PLATE



- Place the microwave in its upright position, with the top of the unit facing up.
- Check to see that the blower plate is correctly installed on the unit.

C4. MOUNT THE MICROWAVE OVEN



FOR EASIER INSTALLATION AND PERSONAL SAFETY, WE RECOMMEND THAT TWO PEOPLE INSTALL THIS MICROWAVE OVEN.

IMPORTANT: Do not grip or use the handle or heat shield during installation. Do not remove the cardboard spacers between the heat shield and door.

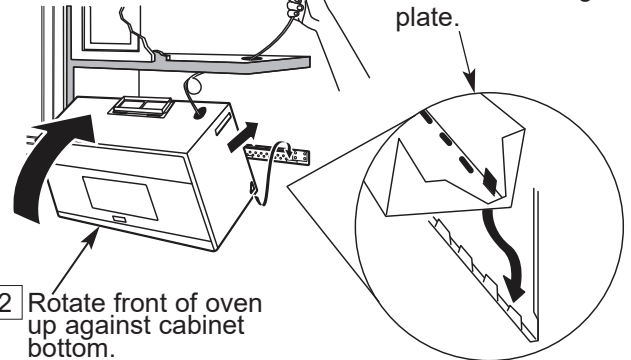
NOTE: If your cabinet is metal, use the nylon grommet around the power cord hole to prevent cutting of the cord.

NOTE: We recommend using filler blocks if the cabinet front hangs below the cabinet bottom shelf.

IMPORTANT: If filler blocks are not used, case damage may occur from overtightening screws.

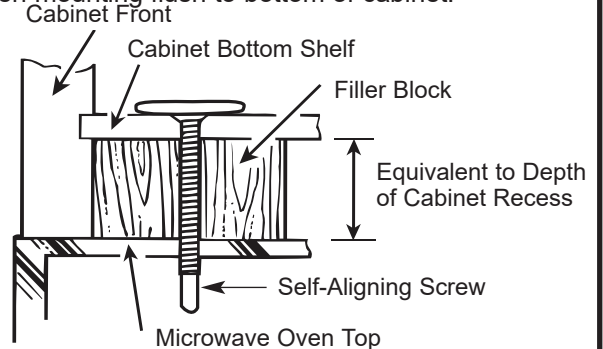
NOTE: When mounting the microwave oven, thread power cord through hole in bottom of top cabinet. Keep it tight throughout Steps 1-3. Do not pinch cord or lift oven by pulling cord.

- 1 Lift microwave, tilt it forward, and hook slots at back bottom edge onto four lower tabs of mounting plate.



- 2 Rotate front of oven up against cabinet bottom.

- 3 Insert a self-aligning screw through top center cabinet hole. Temporarily secure the oven by turning the screw at least two full turns after the threads have engaged (It will be completely tightened later.) Be sure to keep power cord tight. Be careful not to pinch the cord, especially when mounting flush to bottom of cabinet.

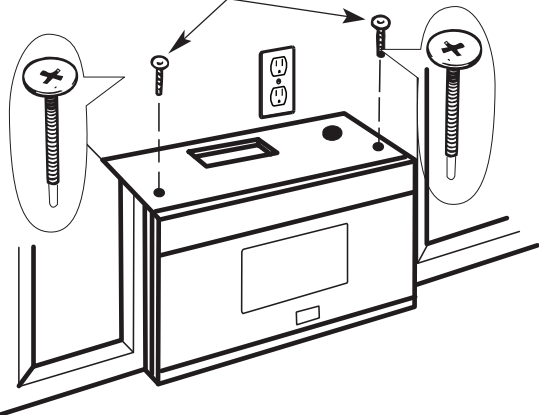


- 4 Attach the microwave oven to the top cabinet.

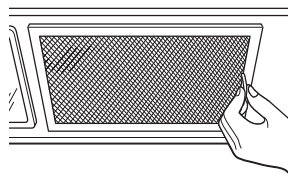
Installation Instructions

C4. MOUNT THE MICROWAVE OVEN (cont.)

- 5 Insert 2 self-aligning screws through outer top cabinet holes. Turn two full turns on each screw.



- 7 Tighten the outer two screws to the top of the microwave oven. (While tightening screws, hold the microwave oven in place against the wall and the top cabinet.)



- 8 Install grease filters. See the Use and Care packed with the microwave.

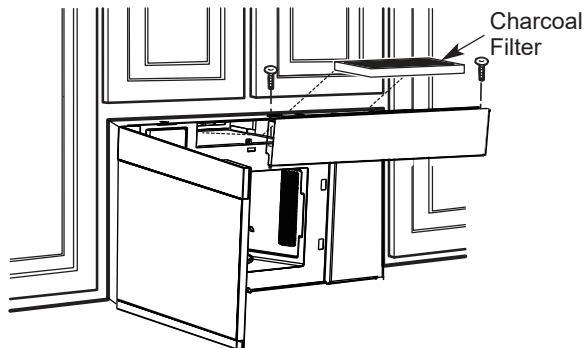
C5. INSTALLING OR CHANGE THE CHARCOAL FILTER (Some Models)

NOTE: The charcoal filter is factory installed in some models. Refer to the Use and Care to see if yours is factory installed and for replacement information.

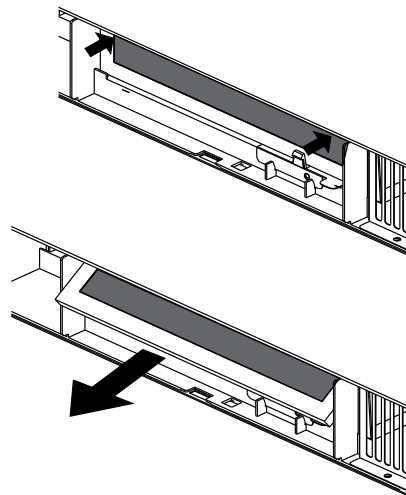
For models without the recirculation filter access door, follow these steps to replace or install a charcoal filter.

- 1 Unplug microwave oven or disconnect power.

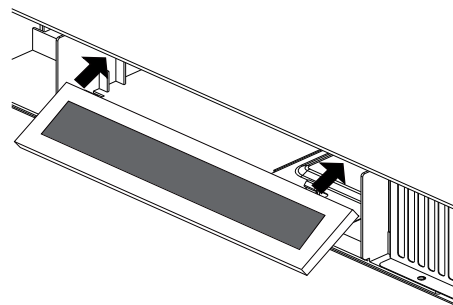
- 2 Open the microwave door and remove the two vent mounting screws located on top of the microwave using a #1 Phillips screwdriver.



- 3 Remove the charcoal filter by pushing the top of the filter inwards, then pull it forward out from the unit.

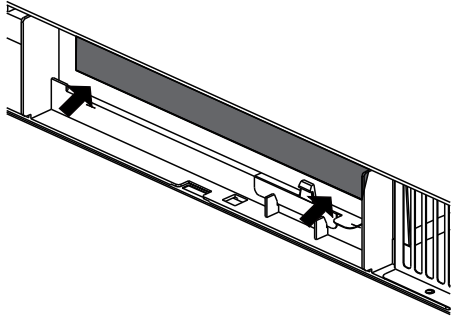


- 4 Slide the top of the new charcoal filter into the top of the filter cavity.

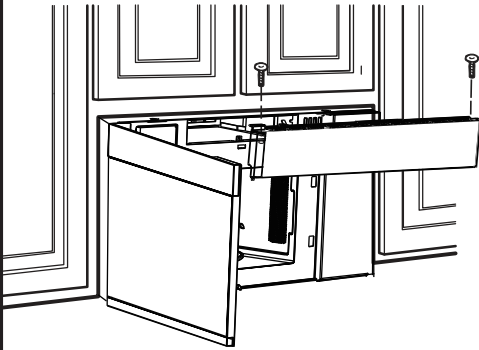


Installation Instructions

- 5 Press the bottom of charcoal filter to place it into the correct position.



- 6 Reinstall the vent by sliding the bottom of the vent into place. Push the vent top into position and slide right into place. Replace the two vent mounting screws located on top of the microwave using a #1 Phillips screwdriver.

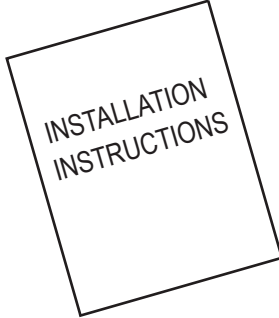


- 7 Close the microwave door. Plug in microwave oven or reconnect power.

Installation Instructions

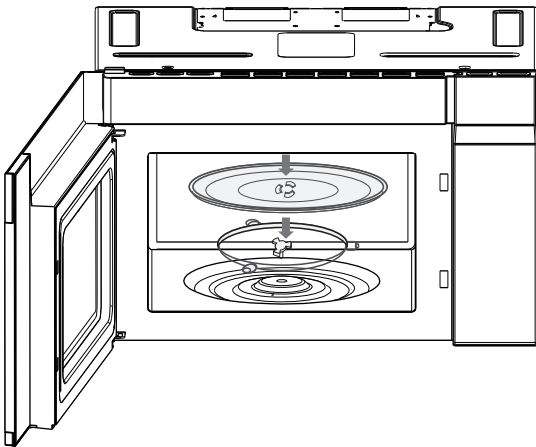
BEFORE YOU USE YOUR MICROWAVE

1. Make sure the microwave oven has been installed according to instructions.

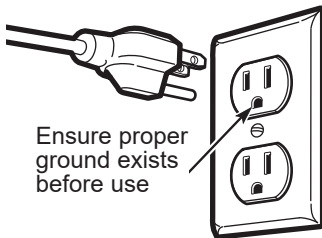


2. Remove all packing material from the microwave oven.

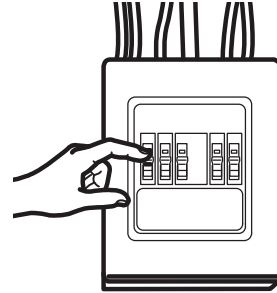
3. Install turntable ring and glass tray in cavity.



4. Plug power cord into a separate and dedicated 15- to 20-amp electrical outlet.



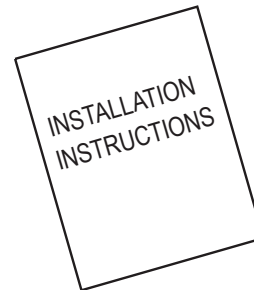
5. Replace house fuse or turn breaker back on.



6. Read the USE & CARE Manual.



7. KEEP INSTALLATION INSTRUCTIONS FOR THE LOCAL INSPECTOR'S USE.



8. GO TO WWW.XOAPPLIANCE.COM AND REGISTER YOUR PRODUCT



NOTA: ES MUY IMPORTANTE LEER Y SEGUIR LAS DIRECCIONES EN LAS INSTRUCCIONES DE INSTALACIÓN ANTES DE PROCEDER CON ESTA PLANTILLA DE PARED POSTERIOR.

Esta plantilla de la pared posterior sirve para colocar el plato de montaje inferior y para colocar la salida de escape horizontal.

1. Use un nivel para cerciorarse de que la plantilla está colocada de manera apropiada.

2. Localice y marque por lo menos un bajante en el lado izquierdo o derecho de la línea central.

NOTA: Es importante usar por lo menos un tornillo de madera montado firmemente en un bajante para soportar el peso del microondas. Marque dos lugares adicionales, espaciados uniformemente, para los tornillos de palanca proporcionados.

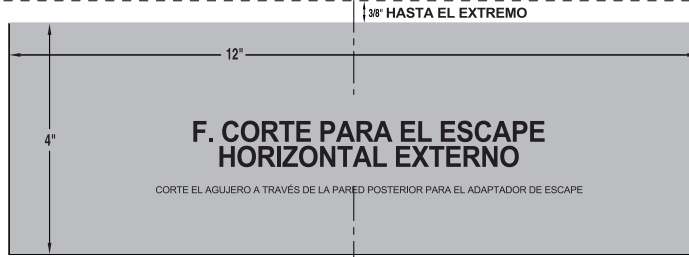
3. Taladre agujeros en los lugares marcados. Donde exista un bajante, taladre agujeros de 3/16" para los tornillos de madera. Para los agujeros que no se alinean con el bajante, taladre agujeros de 5/8" para los tornillos de palanca.

NOTA: NO INSTALE EL PLATO DE MONTAJE EN ESTE MOMENTO.

4. Remueva la plantilla de la pared posterior.

5. Revise el Manual de instrucciones de instalación para su situación de instalación.

Turn over for English.



Corte la plantilla ubicada en la pared de atrás a través de la línea de puntos

PRECAUCIÓN - SI EL ADAPTADOR DE ESCAPE ESTÁ COLOCADO MÁS ALLÁ DE LAS DIMENSIONES RECOMENDADAS, AIRE CARGADO CON GRASA SE DESCARGARÁ HACIA LA ESTRUCTURA DE LA CASA.

ANCHO MÍNIMO DE 24" REQUERIDO

PLANTILLA DE PARED POSTERIOR

Localice y marque los agujeros para que se alineen con los agujeros en el plato de montaje.

IMPORTANTE:

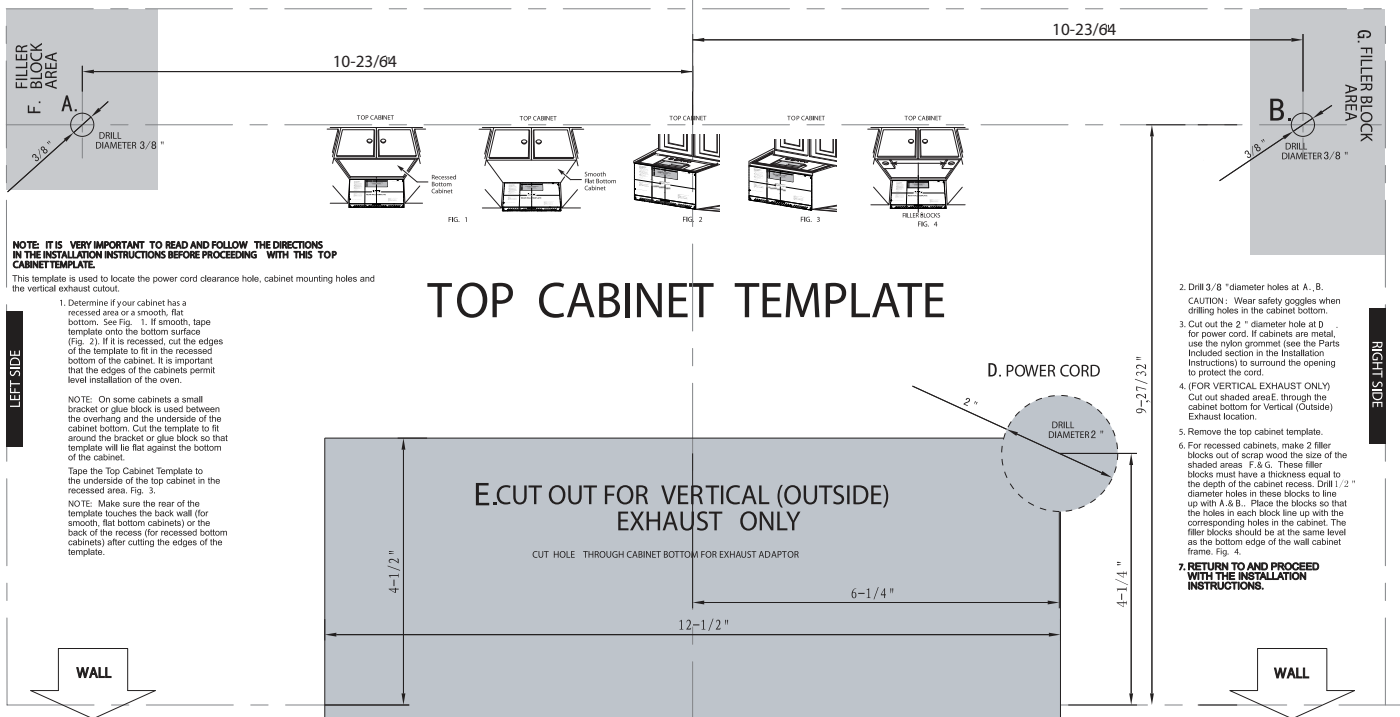
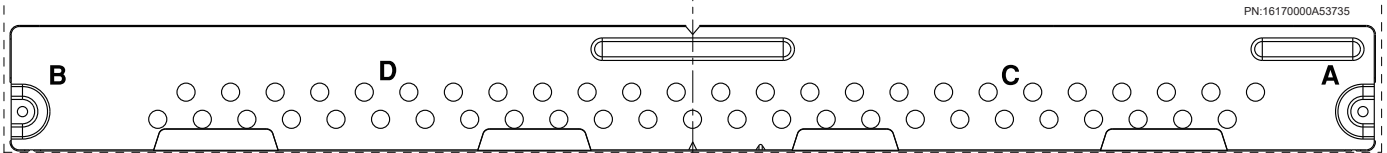
LOCALICE POR LO MENOS UN BAJANTE EN CUALQUIERA DE LOS LADOS DE LA LÍNEA CENTRAL. MARQUE DOS LUGARES ADICIONALES, ESPACIADOS UNIFORMEMENTE, PARA LOS TORNILLOS DE PALANCA EN EL ÁREA DEL PLATO DE MONTAJE.

Localice y marque los agujeros para que se alineen con los agujeros en el plato de montaje.

IMPORTANTE:

LOCALICE POR LO MENOS UN BAJANTE EN CUALQUIERA DE LOS LADOS DE LA LÍNEA CENTRAL. MARQUE DOS LUGARES ADICIONALES, ESPACIADOS UNIFORMEMENTE, PARA LOS TORNILLOS DE PALANCA EN EL ÁREA DEL PLATO DE MONTAJE.

Corte la plantilla ubicada en la pared de atrás a través de la línea de puntos



NOTE: IT IS VERY IMPORTANT TO READ AND FOLLOW THE DIRECTIONS IN THE INSTALLATION INSTRUCTIONS BEFORE PROCEEDING WITH THIS TOP CABINET TEMPLATE.

This template is used to locate the power cord clearance hole, cabinet mounting holes and the vertical exhaust cutout.

- Determine if your cabinet has a recessed area or a smooth, flat bottom. See Fig. 1. If smooth, tape template onto the bottom surface (Fig. 2). If it is recessed, cut the edges of the template to fit in the recessed bottom of the cabinet. It is important that the edges of the cabinets permit level installation of the oven.

NOTE: On some cabinets a small bracket or glue block is used between the overhang and the underside of the cabinet bottom. Cut the template to fit around the bracket or glue block so that template will lie flat against the bottom of the cabinet.

Tape the Top Cabinet Template to the underside of the top cabinet in the recessed area, Fig. 3.

NOTE: Make sure the rear of the template touches the back wall (or smooth, flat bottom cabinets) or the back of the recess (for recessed bottom cabinets) after cutting the edges of the template.

- Drill 3/8" diameter holes at A, B. **CAUTION:** Wear safety goggles when drilling holes in the cabinet bottom.
- Cut out the 2" diameter hole at D for power cord. If cabinets are metal, use the nylon grommet (see the Parts Included section in the Installation Instructions) to surround the opening to protect the cord.
- (FOR VERTICAL EXHAUST ONLY) Cut out shaded area E, through the cabinet bottom for Vertical (Outside) Exhaust location.
- Remove the top cabinet template.
- For recessed cabinets, make 2 filler blocks out of scrap wood the size of the shaded areas F & G. These filler blocks must have a thickness equal to the depth of the cabinet recess. Drill 1/2" diameter holes in these blocks to line up with A & B. Place the blocks to line up with the corresponding holes in the cabinet. The filler blocks should be at the same level as the bottom edge of the wall cabinet frame, Fig. 4.
- RETURN TO AND PROCEED WITH THE INSTALLATION INSTRUCTIONS.**