



XOMWD24SM
24" MICROWAVE DRAWER

THE NEXT LEVEL IN LUXURY APPLIANCES



XOMWD24SM

- 1000 watts | 11 Power Levels
- Touch Control with Back-Lit White Display
- 1.2 Cu.Ft. Capacity
- Modern Handleless Design

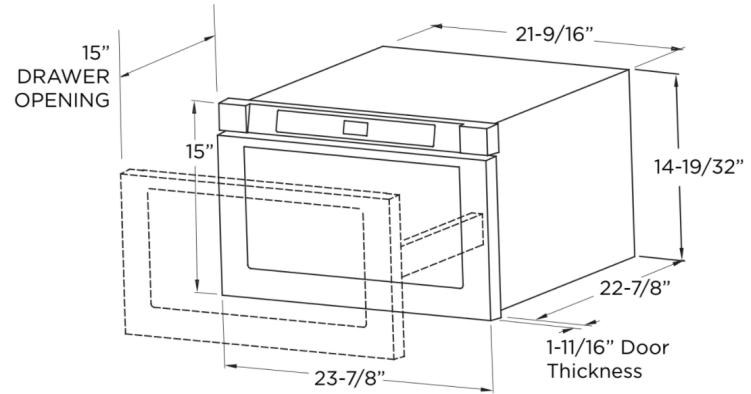
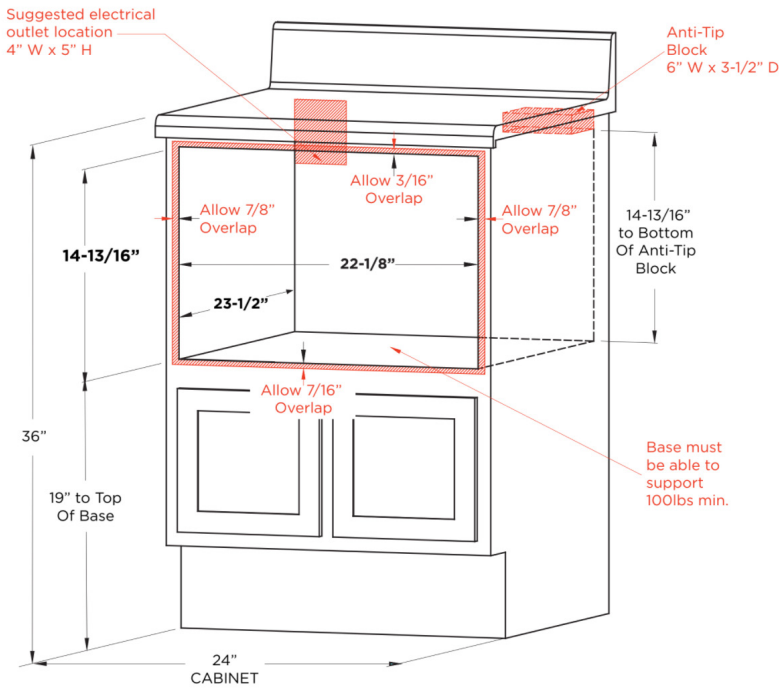
The XO Microwave Drawer brings a whole new dimension of convenience to your kitchen. Easily installed in cabinets, islands or pantries, your XO microwave drawer is more accessible without consuming any counter space. Because it opens like a drawer with the push of a button, it is simple to operate right or left handed. Dishes lift up and out rather than from the side reducing the possibility of spilling.

You'll wonder why all microwaves aren't built this way.

WORLD CLASS SERVICE | COMPREHENSIVE WARRANTIES

OUR LASTING COMMITMENT TO YOU

Standard Installation Dimensions and Clearances



FEATURES

FINISH

Glass / Stainless Steel Mirror Finish

FEATURES

- 24 In. Built-in Microwave Drawer
- Quiet 45dBA Operation
- Fits anything from a 20-oz cup of coffee to a 13-in x 9-in baking pan
- 1000 watts with 11 power levels
- Touch Control with Back-Lit White Display
- Opens and closes with the touch of a button
- Warm mode keeps food warm up to 30 minutes
- Convenient automatic sensor programs
- Panel lock prevents unwanted drawer operation
- 48-In. 3-prong power cord included

SPECIFICATIONS

ELECTRICAL 120V 60HZ 15A

RATED INPUT 1500W

RATED OUTPUT 1000W

OVEN CAPACITY 1.2 cu ft

INTERNAL DIMENSIONS

16" W x 7" H x 16" D

EXTERNAL DIMENSIONS

23-7/8" W x 14-19/32" H x 24-9/16" D

NET WEIGHT APPROX 71 lbs