



XOJ_SC
WALL MOUNT HOOD

HOW BEAUTIFUL KITCHENS BREATHE



XOJ_SC

- High-Velocity Blower
- Incomparable handcrafted Italian finish
- 3 speed electronic illuminated controls
- 5 Minute Delay Function

DESIGNED AND CRAFTED IN ITALY

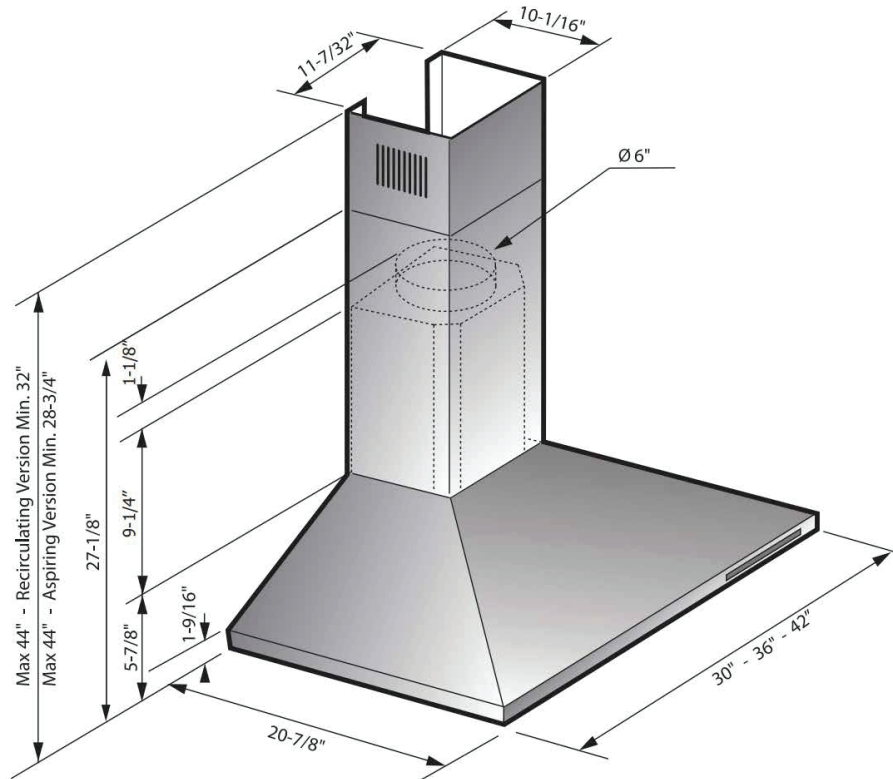
The XOJ is a sleek sophisticated design with flatter angles and clean edges. Designed and crafted in Italy it's the perfect choice for those seeking high performance with European styling.

At XO, we believe that a good design is something everyone can afford

WORLD CLASS SERVICE | COMPREHENSIVE WARRANTIES
OUR LASTING COMMITMENT TO YOU



For 90 days, all our products are backed by our unique Love It or Leave It Guarantee*



FEATURES

SPECIFICATIONS

FINISH

Stainless Steel

FEATURES

- CCC Code Compliance Control - 395 or 600 CFM
- Electronic 3 Speed Control + Power Boost
- High Efficiency 3000k LED lights (x2)
- Dishwasher Safe SS Hybrid Mesh Filters
- Standard Chimney fits ceilings up to 9' tall
- 6" Vertical Duct or Recirculating (Kit Sold Separately)
(Recirculated air must be returned to the living space)
- 5 Minute Delay Shutoff Timer
- Made In Italy

ELECTRICAL 115VAC 60HZ 3.6 AMP

DIMENSIONS

H MAX 44" - MIN 32" (Recirc)
MIN 28 3/4" (Vented)
W 30", 36", 42"
D 20 7/8"

(Refer to illustration above)

MOUNTING HEIGHT

ABOVE COOKING 27" - 32"

DUCTING OPTIONS

6 inch duct required
Ductless Option for applications where no ducting is available

OPTIONS

Recirculation Kit
Duct Cover Extension
(For ceilings up to 10' tall)

XORFK01
XOEDCJ

PERFORMANCE

SPEED	1	2	3	BOOST
CFM	160	250	395	600
SONES	1.0	2.5	4.0	6.5

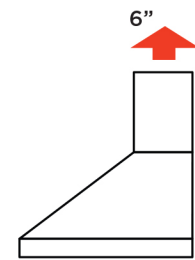
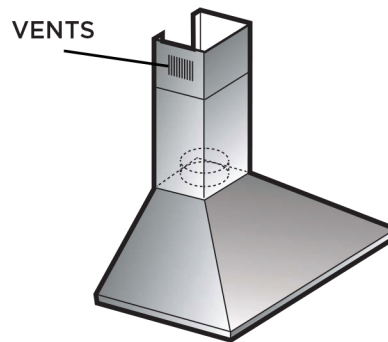
RECOMMENDED MOUNTING HEIGHT

All range hoods have a recommended range of installation height over the cooking surface. However cooking styles, types of cooking equipment and installation limitation can vary greatly. For installations outside the recommended range - consult XO.

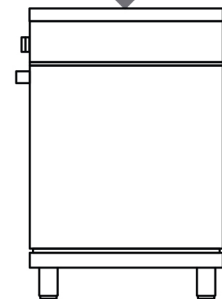
THESE MODELS HAVE A 6" DIAMETER VERTICAL EXHAUST DUCT

RECIRCULATION

These XOJ models may be installed with an optional recirculation kit when venting outside is not practical. When used in recirculation mode the filtered exhaust is directed back into the living space through vents in the telescoping duct cover. These vents cannot be covered in the installation.



RECOMMENDED
MOUNTING HEIGHT
ABOVE
COOKTOPS
27" to 32"



SIDE VIEW

HOW DOES CODE COMPLIANCE CONTROL HELP -



CODE COMPLIANCE CONTROL (CCC) enables the installer to re-program the hood as it is being installed. **Your XO Hood is set to operate at 600 CFM maximum at the factory.**

Re-programming is accomplished quickly and requires no special tools or additional parts but once done, the air flow rate is limited to a maximum of 395 CFM below the 400 CFM cap that most local codes impose eliminating the need for additional controls.

Re-programming also disables the Power Boost function. After conversion, the installer affixes a label stating the unit has been converted to 395 CFM max. Once done, the unit cannot be changed back.

If your application calls for a make-up air solution, XO gives you more choices.