



XOIL4819SC

ALL-IN-ONE INSERT BLOWER + LINER

HOW BEAUTIFUL KITCHENS BREATHE



XOIL4819SC

- 3 Speeds with Power Boost
- Code Compliance Control - 395/600 CFM
- Dimmable 3000K LED lights (x2)
- 5 Minute delay function

POWERFUL INSERT BLOWER + LINER

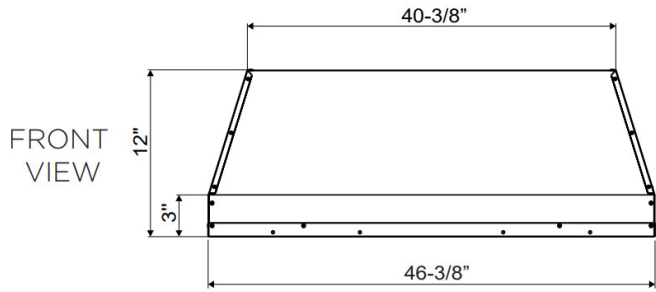
The XOIL series are designed as all-in-one blower / liner combination units for easy installation into custom hoods. Each XOIL model is designed and crafted in Italy to incorporate a multi-speed blower, controls, filtration, LED Lamps and back flow damper. The XOIL is everything you need in one easy to install package.

At XO, we believe that a good design is something everyone can afford

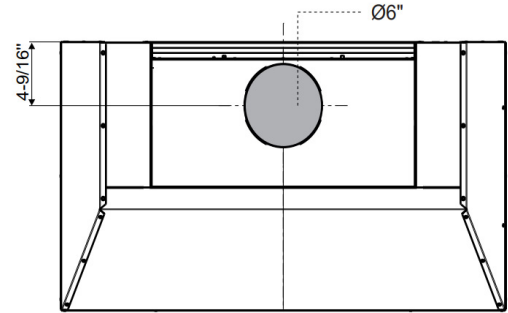
WORLD CLASS SERVICE | COMPREHENSIVE WARRANTIES

OUR LASTING COMMITMENT TO YOU

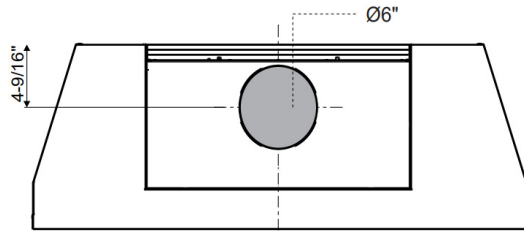




TOP VIEW

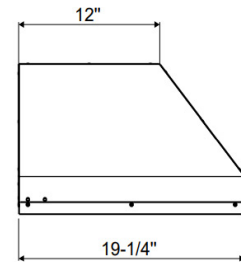


REAR VIEW



ALTERNATIVE VENT LOCATION

SIDE VIEW



FEATURES

FINISH

Stainless Steel

FEATURES

- Electronic 3 Speed Control
- CCC Code Compliance Control - 395 or 600 CFM
- High Efficiency Dimmable 3000k LED lights (x4)
- High Velocity Blower optimally removes Smoke, Grease and Odors
- Optional ADA Compliant Wireless Remote Control
- Dishwasher Safe Stainless Steel PRO Baffle Filters
- 6" Vertical Duct
- 5 Minute Delay Shutoff Timer
- Made In Italy

PERFORMANCE

SPEED	1	2	3	BOOST
CFM	150	250	395	600
SONES	1.0	2.4	4.0	6.4

SPECIFICATIONS

ELECTRICAL 115V 60HZ 4 AMP

DIMENSIONS

H 12"
W 46-3/8"
D 19-1/4"

CUTOUT DIMENSIONS

XOIL4819KSE 46-1/2" x 19-7/16"

MOUNTING HEIGHT

ABOVE COOKING 27" - 32"

OPTIONS

Wireless ADA Compliant Remote Control **XOVREMOTE1**

Optional 6" Automatic Make-Up Air Kit **XOMA06**

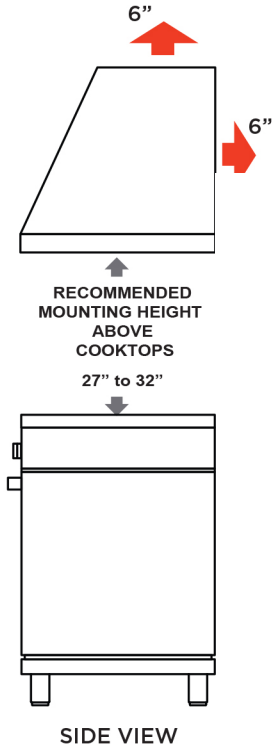
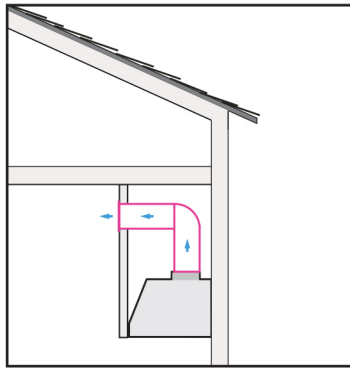
RECOMMENDED MOUNTING HEIGHT

All range hoods have a recommended range of installation height over the cooking surface. However cooking styles, types of cooking equipment and installation limitation can vary greatly. For installations outside the recommended range - consult XO.

THESE MODELS HAVE A 6" DIAMETER EXHAUST DUCT WHICH MAY BE CONFIGURED FOR TOP OR REAR DISCHARGE - CONSULT MANUAL FOR ADDITIONAL INFORMATION.

RECIRCULATION

These XOIL models may be installed with an optional recirculation kit when venting outside is not practical. When used in recirculation mode the filtered exhaust must be ducted back into the living space. Never discharge the exhaust into a confined space such as a soffit, attic, garage, crawl space or the voids between walls.



HOW DOES CODE COMPLIANCE CONTROL HELP -



CODE COMPLIANCE CONTROL (CCC) enables the installer to re-program the hood as it is being installed. **Your XO Hood is set to operate at 600 CFM maximum at the factory.**

Re-programming is accomplished quickly and requires no special tools or additional parts but once done, the air flow rate is limited to a maximum of 395 CFM below the 400 CFM cap that most local codes impose eliminating the need for additional controls.

Re-programming also disables the Power Boost function. After conversion, the installer affixes a label stating the unit has been converted to 395 CFM max. Once done, the unit cannot be changed back.

If your application calls for a make-up air solution, XO gives you more choices.