



**XOI45SC**  
INSERT

HOW BEAUTIFUL KITCHENS BREATHE



**XOI45SC**

- 3 Speeds with Power Boost
- Code Compliance Control - 395/600 CFM
- High Efficiency 3000K LED Lights
- 5 Minute delay function

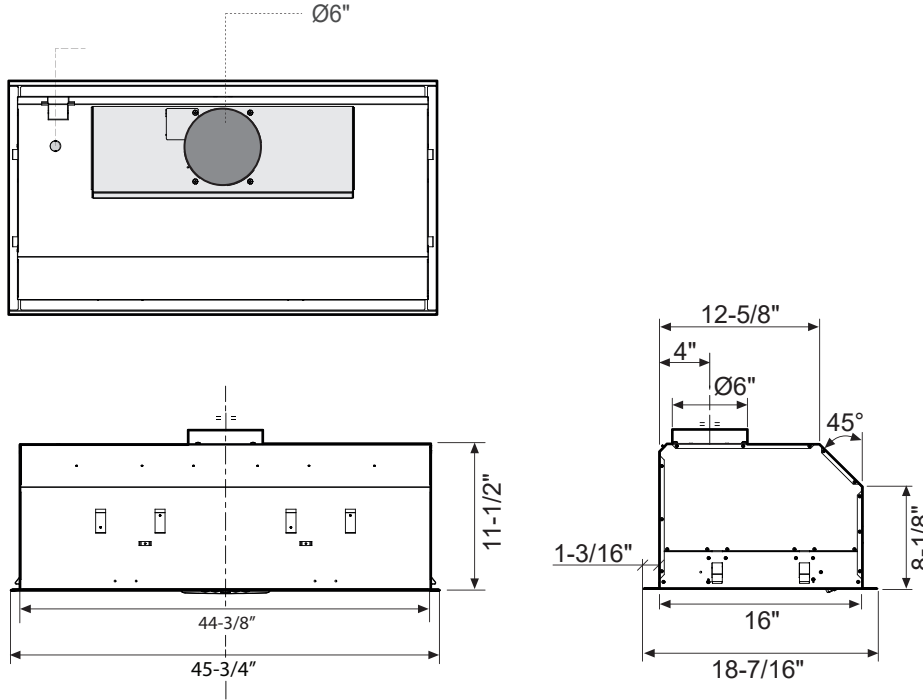
DESIGNED AND CRAFTED IN ITALY

The XO I insert is an integrated blower which allows you to match your custom hood to your kitchen. This simple and affordable design is easy to install.

At XO, we believe that a good design is something everyone can afford

WORLD CLASS SERVICE | COMPREHENSIVE WARRANTIES  
OUR LASTING COMMITMENT TO YOU





## FEATURES

FINISH

Stainless Steel

FEATURES

- Electronic Push Button Control
- CCC Code Compliance Control - 395 or 600 CFM
- Powerful, Precision Balanced Blower
- Recirculation Capable (with kit sold separately)
- High Efficiency 3000k LED lights (x2)
- Stainless Steel PRO Baffle Filters
- 5 Minute Delay Shutoff Timer
- 6" Vertical Duct
- Made In Italy

## PERFORMANCE

SPEED	1	2	3	BOOST
CFM	150	250	395	600
SONES	1.0	2.4	4.0	6.4

## SPECIFICATIONS

**ELECTRICAL** 120V 60HZ 3.6 AMP

**DIMENSIONS** H 11 1/2"  
W 45 3/4"  
D 18 7/16"

**CUTOUT DIMENSIONS**  
XOI45 - 44-1/2" x 16-3/8"

**MOUNTING HEIGHT**  
ABOVE COOKING 27" - 32"

**OPTIONS**  
6" Make-Up Air Kit **XOMA06**  
Recirculation Kit **XORFK12**

## RECOMMENDED MOUNTING HEIGHT

All range hoods have a recommended range of installation height over the cooking surface. However cooking styles, types of cooking equipment and installation limitation can vary greatly. For installations outside the recommended range - consult XO.

**THIS MODEL HAS A 6" DIAMETER VERTICAL EXHAUST DUCT**

## MAKE-UP AIR

Many states have adopted regulations regarding the re-introduction of make-up air for homes with ventilation systems which can exhaust more than a specified volume of air, typically 400 CFM.

Your cooking equipment and use determine how much ventilation you need. If your local building codes require a make-up air solution based on that need, XO has the answer.

## XOMA MAKE-UP AIR KITS

Make-Up Air Kits consist of two parts.

### 1. A sensor collar which is mounted in the exhaust duct of the hood.

This contains a feather switch that is activated when air flow is detected in the duct.



### 2. A motorized air inlet damper which is usually mounted to the home's HVAC system.

When it receives a signal from the sensor collar, the damper automatically opens to admit fresh air which is distributed via the HVAC system.

When the blower shuts off, the feather switch returns to the off position and the motorized damper is deactivated. The air inlet damper is automatically closed by a return spring.

