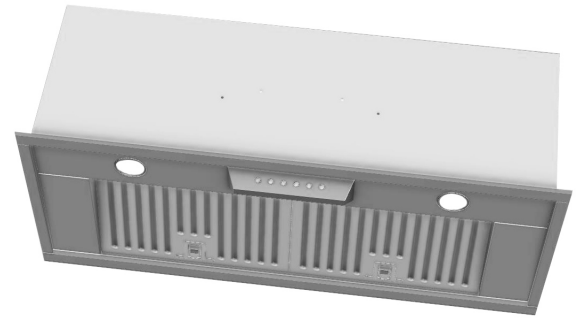




XOI3315SC
INSERT

HOW BEAUTIFUL KITCHENS BREATHE



XOI3315SC

- Electronic 3 Speed Control + Power Boost
- Code Compliance Control - 395 or 600 CFM
- High Efficiency 3000k LED Lights (x2)
- 5 Minute delay function

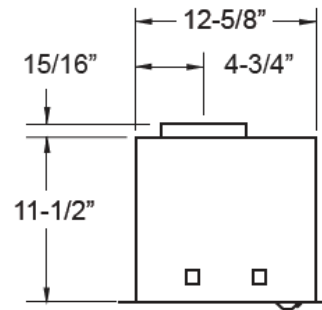
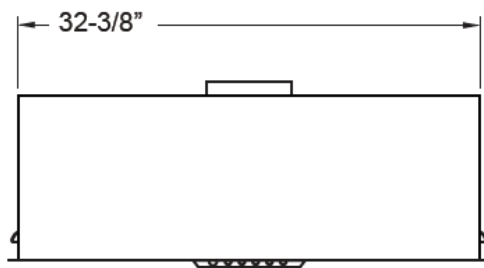
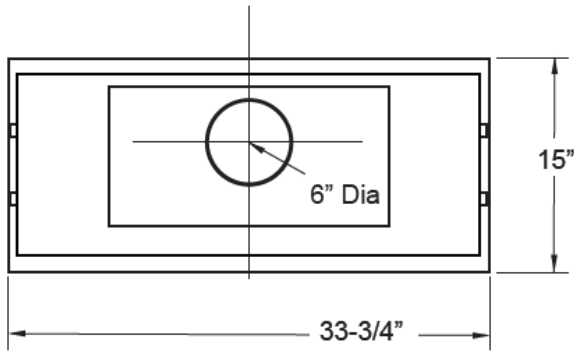
DESIGNED AND CRAFTED IN ITALY

The XO insert is an integrated blower which allows you to match your custom hood to your kitchen. This simple and affordable design is easy to install. Designed and crafted in Italy for the ultimate in fit and finish.

At XO, we believe that a good design is something everyone can afford

WORLD CLASS SERVICE | COMPREHENSIVE WARRANTIES
OUR LASTING COMMITMENT TO YOU





FEATURES

FINISH

Stainless Steel

FEATURES

- Electronic 3 Speed Control + Power Boost
- CCC Code Compliance Control - 395 or 600 CFM
- High Efficiency 3000K LED Lights (x2)
- High Velocity Blower optimally removes Smoke, Grease and Odors
- 6" Vertical Duct or Recirculating - Kit Sold Separately (Recirculated air must be returned to the living space)
- Dishwasher Safe SS Pro Baffle Filters
- 5 Minute Delay Shutoff Timer
- Made In Italy

SPECIFICATIONS

ELECTRICAL 115VAC 60HZ 3.6 Amp

DIMENSIONS H 11-1/2"
W 33-3/4"
D 15"

MOUNTING HEIGHT

Above Cooking Surface 27" - 32"

CUTOUT DIMENSIONS

XOI3315SC 32-1/2" x 12-3/4"

OPTIONS

- Recirculation Kit **XORFK12**
- Recirculation Carbon Filter **XORFRND**
- 6" Make-Up Air Kit **XOMA06**

PERFORMANCE

SPEED	1	2	3	BOOST
CFM	160	250	395	600
SONES	1.0	2.5	4.0	6.5

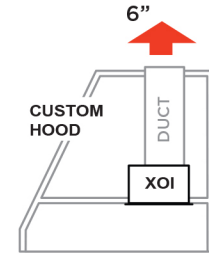
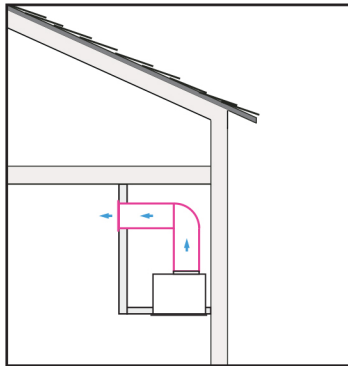
RECOMMENDED MOUNTING HEIGHT

All range hoods have a recommended range of installation height over the cooking surface. However cooking styles, types of cooking equipment and installation limitation can vary greatly. For installations outside the recommended range - consult XO.

THESE MODELS HAVE A 6" DIAMETER EXHAUST DUCT WHICH MAY BE CONFIGURED FOR TOP OR REAR DISCHARGE - CONSULT MANUAL FOR ADDITIONAL INFORMATION.

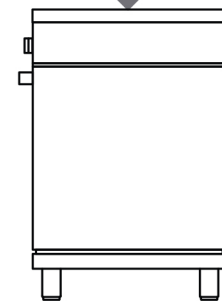
RECIRCULATION

These XO models may be installed with an optional recirculation kit when venting outside is not practical. When used in recirculation mode the filtered exhaust must be ducted back into the living space. Never discharge the exhaust into a confined space such as a soffit, attic, garage, crawl space or the voids between walls.



RECOMMENDED MOUNTING HEIGHT ABOVE COOKTOPS

27" to 32"



SIDE VIEW

HOW DOES CODE COMPLIANCE CONTROL HELP -



CODE COMPLIANCE CONTROL (CCC) enables the installer to re-program the hood as it is being installed. **Your XO Hood is set to operate at 600 CFM maximum at the factory.**

Re-programming is accomplished quickly and requires no special tools or additional parts but once done, the air flow rate is limited to a maximum of 395 CFM below the 400 CFM cap that most local codes impose eliminating the need for additional controls.

Re-programming also disables the Power Boost function. After conversion, the installer affixes a label stating the unit has been converted to 395 CFM max. Once done, the unit cannot be changed back.

If your application calls for a make-up air solution, XO gives you more choices.