



XOI3315KSE
INSERT

HOW BEAUTIFUL KITCHENS BREATHE

1000
CFM



XOI3315KSE

- Electronic 3 Speed Control
- Hand crafted Italian Stainless Steel
- High Efficiency 3000k LED Lights (x2)
- 5 Minute Delay Shutoff Timer

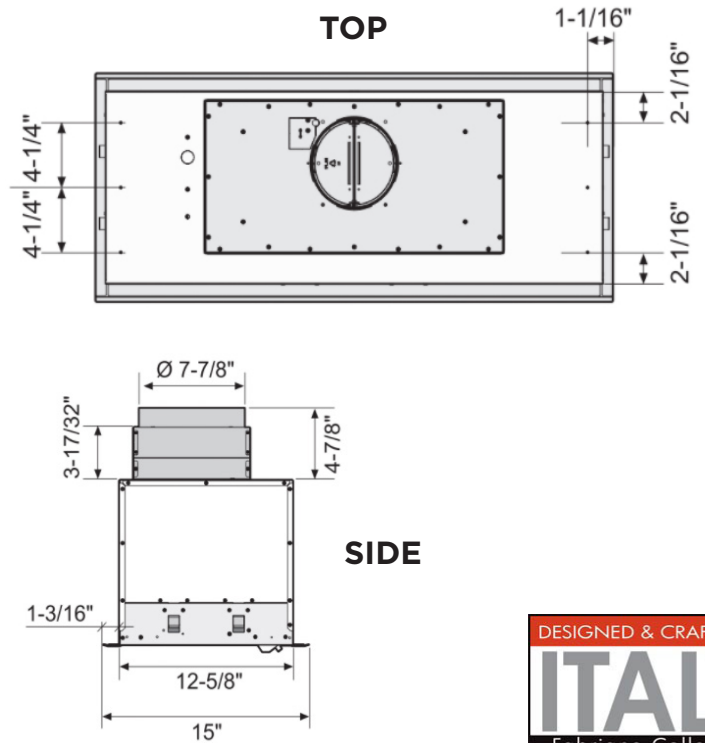
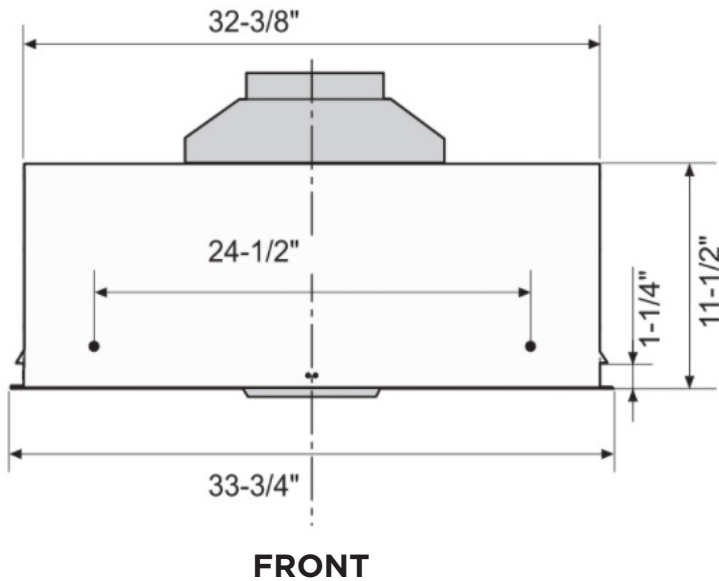
DESIGNED AND CRAFTED IN ITALY

The XO I insert is an integrated blower which allows you to match your custom hood to your kitchen. This simple and affordable design is easy to install. Designed and crafted in Italy for the ultimate in fit and finish.

At XO, we believe that a good design is something everyone can afford

WORLD CLASS SERVICE | COMPREHENSIVE WARRANTIES
OUR LASTING COMMITMENT TO YOU





FEATURES

FINISH

Stainless Steel

FEATURES

- 1000 CFM High Velocity Blower Optimally Removes Smoke, Grease And Odors
- 3 Speed Push Button Control
- Powerful, Precision Balanced Blower
- High Efficiency 3000k LED lights (x2)
- Stainless Steel PRO Baffle Filters
- 5 Minute Delay Shutoff Timer
- 8" Vertical Duct
- Made In Italy

SPECIFICATIONS

ELECTRICAL 115VAC 60HZ 6.6 AMP

DIMENSIONS
 H 11-1/2"
 W 33-3/4"
 D 15"

MOUNTING HEIGHT
 ABOVE COOKING 27" - 32"

CUTOUT DIMENSIONS
 XOI3315KSE 32-3/8" x 12-5/8"

OPTIONS
 8" Make-Up Air Kit **XOMA08**

PERFORMANCE

SPEED	1	2	3
CFM	200	590	1000
SONES	2.0	6.4	8.0

RECOMMENDED MOUNTING HEIGHT

All range hoods have a recommended range of installation height over the cooking surface. However cooking styles, types of cooking equipment and installation limitation can vary greatly. For installations outside the recommended range - consult XO.

THESE MODELS HAVE AN 8" DIAMETER VERTICAL EXHAUST DUCT

MAKE-UP AIR

Many states have adopted regulations regarding the re-introduction of make-up air for homes with ventilation systems which can exhaust more than a specified volume of air, typically 400 CFM.

Your cooking equipment and use determine how much ventilation you need. If your local building codes require a make-up air solution based on that need, XO has the answer.

XOMA MAKE-UP AIR KITS

Make-Up Air Kits consist of two parts.

1. A sensor collar which is mounted in the exhaust duct of the hood.

This contains a feather switch that is activated when air flow is detected in the duct.



2. A motorized air inlet damper which is usually mounted to the home's HVAC system.

When it receives a signal from the sensor collar, the damper automatically opens to admit fresh air which is distributed via the HVAC system.

When the blower shuts off, the feather switch returns to the off position and the motorized damper is deactivated. The air inlet damper is automatically closed by a return spring.

