



**XOI22SC**  
**XOI28SC**  
INSERT

## HOW BEAUTIFUL KITCHENS BREATHE



**XOI\_SC**

- Electronic 3 Speed Control + Power Boost
- Code Compliance Control - 395 or 600 CFM
- Optional ADA Compliant Remote Control
- 5 Minute delay function

### DESIGNED AND CRAFTED IN ITALY

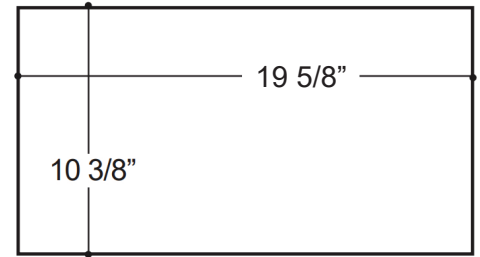
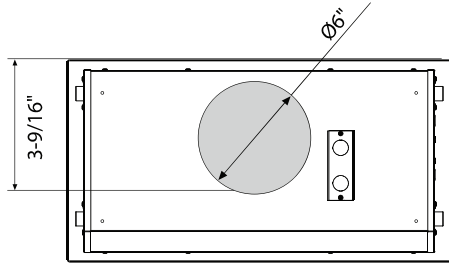
The center panel of the XOI22/28S provides more than a sleek European appearance, tangential blower and integral sound reduction design minimize background noise.

At XO, we believe that a good design is something everyone can afford

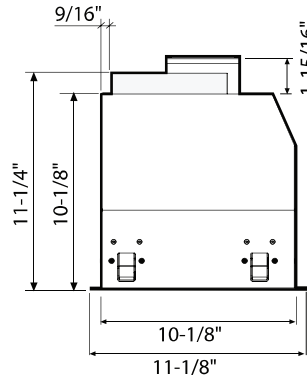
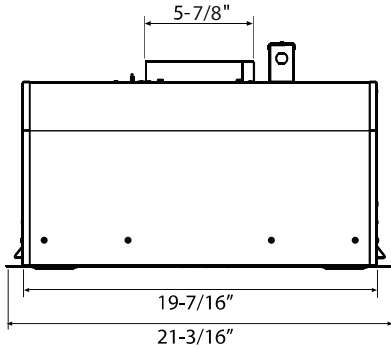
WORLD CLASS SERVICE | COMPREHENSIVE WARRANTIES

OUR LASTING COMMITMENT TO YOU





CUT OUT DIMENSION



## FEATURES

FINISH

Stainless Steel

FEATURES

- Electronic 3 Speed Control + Power Boost
- CCC Code Compliance Control - 395 or 600 CFM
- Optional ADA Compliant Remote Control
- High Efficiency 3000k LED lights (x2)
- Perimeter Aspiration / Quieter / More Powerful
- Dishwasher Safe Aluminum Mesh Filters
- 5 Minute Delay Shutoff Timer
- 6" Vertical Duct or Recirculating (Kit Sold Separately)  
(Filtered, recirculated air must be returned to the living space)
- Made In Italy

## PERFORMANCE

SPEED	1	2	3	BOOST
CFM	160	250	395	600
SONES	1.0	2.5	4.0	6.5

## SPECIFICATIONS

**ELECTRICAL** 120V 60HZ 3.6 AMP

### DIMENSIONS

21-3/16" W x 11 1/8"D x 12 1/16"H

### CUTOUT DIMENSIONS

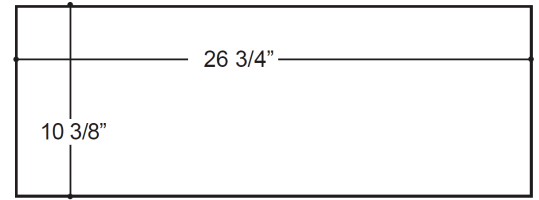
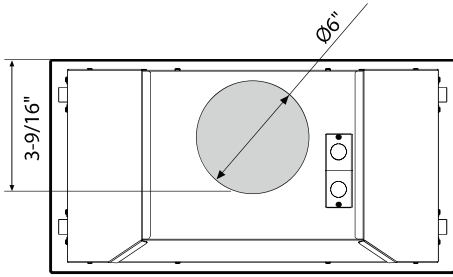
19-5/8" x 10 3/8"

### MOUNTING HEIGHT

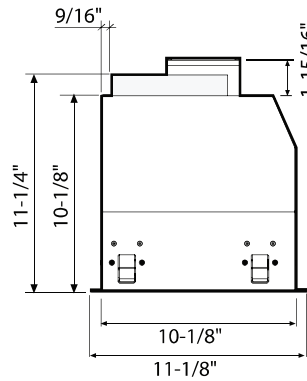
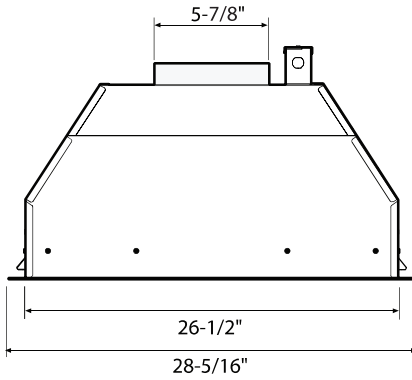
ABOVE COOKING 27" - 32"

### OPTIONS

- Recirculation Kit **XORFK12**
- Recirculation Filters **XORFRND**
- ADA Compatible Remote **XOVREMOTE1**
- Make Up Air Kit (6") **XOMA06**



CUT OUT DIMENSION



## FEATURES

FINISH

Stainless Steel

FEATURES

- Electronic 3 Speed Control + Power Boost
- CCC Code Compliance Control - 395 or 600 CFM
- Wireless ADA Compliant Remote Control
- High Efficiency Dimmable 3000K LED lights (x2)
- Dishwasher Safe Aluminum Mesh Filters
- 6" Vertical Duct or Recirculating (Kit Sold Separately)  
(Recirculated air must be returned to the living space)
- 5 Minute Delay Shutoff Timer
- Made In Italy

## PERFORMANCE

SPEED	1	2	3	BOOST
CFM	160	250	395	600
SONES	1.0	2.5	4.0	6.5

## SPECIFICATIONS

**ELECTRICAL** 120V 60HZ 3.6 AMP

### DIMENSIONS

28 5/16"W x 11 1/8"D x 12 1/16"H

### CUTOUT DIMENSIONS

26-3/4" x 10 3/8"

### OPTIONS

- |                         |                   |
|-------------------------|-------------------|
| Recirculation Kit       | <b>XORFK12</b>    |
| Recirculation Filters   | <b>XORFRND</b>    |
| ADA Compatible Remote   | <b>XOVREMOTE1</b> |
| 30" Adjustable SS Liner | <b>XOLINER30</b>  |
| 36" Adjustable SS Liner | <b>XOLINER36</b>  |
| Make Up Air Kit (6")    | <b>XOMA06</b>     |

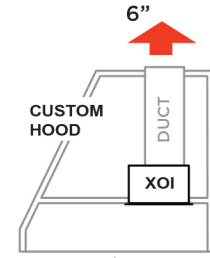
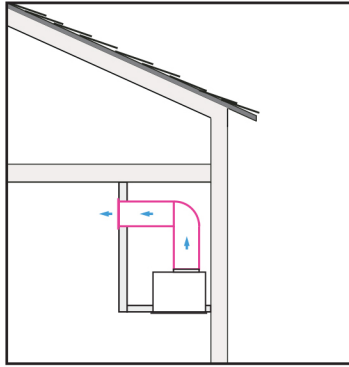
### RECOMMENDED MOUNTING HEIGHT

All range hoods have a recommended range of installation height over the cooking surface. However cooking styles, types of cooking equipment and installation limitation can vary greatly. For installations outside the recommended range - consult XO.

THESE MODELS HAVE A 6" DIAMETER EXHAUST DUCT WHICH MAY BE CONFIGURED FOR TOP OR REAR DISCHARGE - CONSULT MANUAL FOR ADDITIONAL INFORMATION.

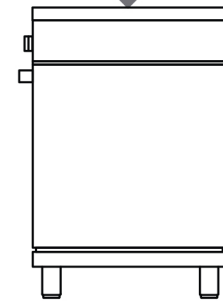
### RECIRCULATION

These XO models may be installed with an optional recirculation kit when venting outside is not practical. When used in recirculation mode the filtered exhaust must be ducted back into the living space. Never discharge the exhaust into a confined space such as a soffit, attic, garage, crawl space or the voids between walls.



RECOMMENDED  
MOUNTING HEIGHT  
ABOVE  
COOKTOPS

27" to 32"



SIDE VIEW

### HOW DOES CODE COMPLIANCE CONTROL HELP -



**CODE COMPLIANCE CONTROL (CCC)** enables the installer to re-program the hood as it is being installed. **Your XO Hood is set to operate at 600 CFM maximum at the factory.**

Re-programming is accomplished quickly and requires no special tools or additional parts but once done, the air flow rate is limited to a maximum of 395 CFM below the 400 CFM cap that most local codes impose eliminating the need for additional controls.

Re-programming also disables the Power Boost function. After conversion, the installer affixes a label stating the unit has been converted to 395 CFM max. Once done, the unit cannot be changed back.

If your application calls for a make-up air solution, XO gives you more choices.