



XOD34HPBF
SINK PRO NANOGRIND

QUICKCONNECT BATCH FEED WASTE DISPOSALS



XOD34HPBF

- QuicKconnect Twist-Lock Mount
- High Speed Magnet Motor
- Septic Safe

YOUR XO KITCHEN WASTE DISPOSAL

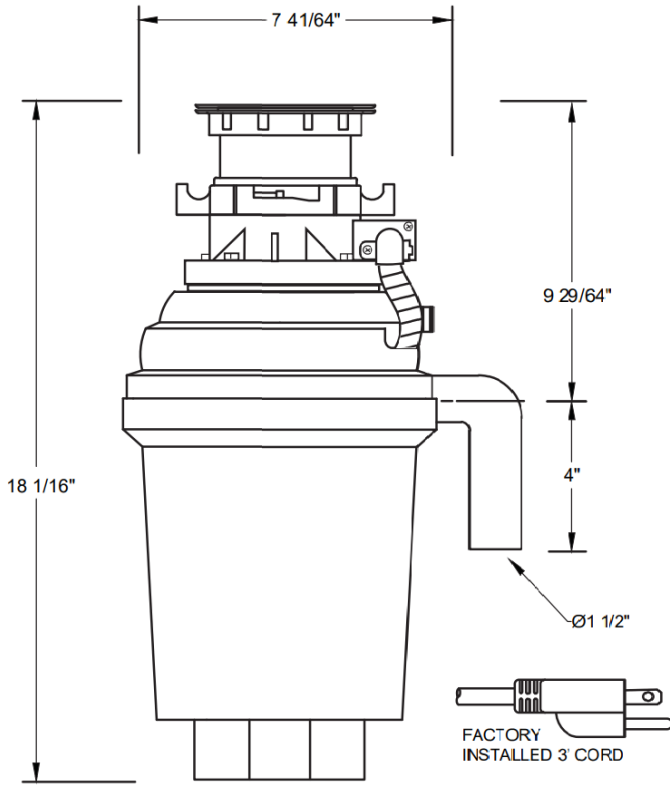
XO WASTE DISPOSALS are the green kitchen convenience you can feel good about buying and using. Make cleanups a breeze and your kitchen clean and odor free. Quick, quiet grinding power to cut through tough foods. Backed by the best warranty in the business. Strong, Quiet, Reliable and takes out the garbage without being asked twice.

Is it possible to fall in love with an appliance?

WORLD CLASS SERVICE | COMPREHENSIVE WARRANTIES

OUR LASTING COMMITMENT TO YOU

CATEGORY: Batch Feed **QuickConnect Twist-Lock System**



NOTE: Flange Fits 3-1/2" Kitchen Sink Openings

10 YEAR
IN HOME WARRANTY
Limited warranty
see website for details

XO LOVE IT OR LEAVE IT
100% GUARANTEED
For 90 days, all our products are backed by our unique Love It or Leave It Guarantee*
(*Does not apply to XO Outdoor Kitchen Products)

PRODUCT HIGHLIGHTS

- Permanent Magnet Motor
- Generates High Torque / Avoid Jams
- Stainless Steel Turntable & Cast Impellers
- Bio-guard Antimicrobial Protection
- Safety Feed Stopper
- Factory Installed Power Cord and Plug
- Precision Balanced
- Sound Insulation Shield
- QuickConnect Twist-Lock Mount

SPECIFICATIONS

- 3/4 HP Batch Feed Disposal
- 3' Long 3 Prong Power Cord
- Manual Reset Thermal Overload Protection
- 120 V / 60 Hz - 4.6 amps
- All XO Disposals are UL Listed

SAFETY FEED GUARD

No remote switch required. Unit operates when the Safety Feed Guard is inserted into the drain and pushed down to activate

