

BEFORE YOU BEGIN:

NOTE: Your XO Food Waste Disposer has been designed exclusively for residential use, for operation on 120V 60 Hz US household current only. Any other use will void warranty and may constitute a hazard.

IMPORTANT: Read All Instructions Thoroughly Before Installing or Using the Disposer.

CAUTION: Make Certain to Review Instructions Pertaining to RISK, FIRE, ELECTRIC SHOCK or PERSONAL INJURY Prior to Use.

RECORD YOUR MODEL # & SERIAL NUMBER HERE:

*MODEL #

*SERIAL #

*The above information appears on the label affixed to the bottom of the disposer. For your convenience, write down the model number and serial number prior to installation.

IMPORTANT SAFETY INSTRUCTIONS

WARNING: When using electrical appliances, basic safety precautions must always be followed, including:

1. Use this appliance for its intended purpose only as described here in the manual.
2. Read all instructions prior to use.
3. To reduce the risk of injury, closely supervise children when the appliance is in use.
4. **NEVER** put hands or fingers into a waste disposer.
5. **Turn off power switch AND unplug power cord** before attempting to clear a jam or remove an object from the disposer.
6. When attempting to loosen a jam in a waste disposer, use a long wooden object such as the handle of a wooden spoon.
7. When attempting to remove objects from a waste disposer use only long handled tongs or pliers to avoid reaching in.
8. To reduce risk of injury by materials that may be expelled by a waste disposer, **NEVER put:** *Drain Cleaners, China, Glass, Plastic, Metal, Large Bones, Hot Grease, Hot Liquids or other hazardous materials* into the disposer.
9. When not operating the disposer - leave the stopper in place to reduce the risk of objects falling into the disposer.
10. **NEVER** operate the disposer without the splash guard in place.
11. The disposer **MUST be** properly grounded - see the ELECTRICAL CONNECTION section of this manual.
12. If the supply cord is damaged, it **MUST be replaced** by the manufacturer, its service agent, or an authorized person in order to avoid hazard.

BEFORE YOU BEGIN

ELECTRICAL CONNECTIONS:

If you are not familiar with electrical power and procedures, call a qualified electrician.

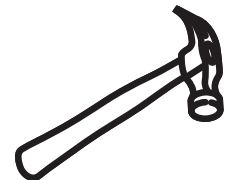
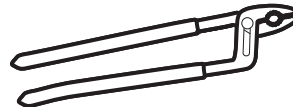
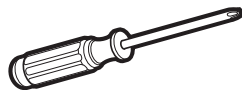
All electrical connections must comply with the National Electrical Code, Section 422 and/or local codes and ordinances.

DANGER Improper connection of the equipment-grounding conductor can result in a risk of electric shock. If in doubt, check with a qualified electrician or installer whether the appliance is properly grounded.

1. **Read** all these instructions completely and carefully.
2. **Save** these instructions for the local inspector's use.
3. **Observe** all governing codes and ordinances.
4. **Note To Installer:** Leave these instructions with the consumer.
5. **Note to Consumer:** Retain these instructions for future reference.
6. Installation of this appliance requires basic mechanical skills.
7. Completion time is approximately 1 hour.
8. Proper installation is the responsibility of the installer - product failure due to improper installation is not covered under warranty.

YOU WILL NEED:

Philips & Flat Blade Screwdrivers
Channel Lock / Slip Joint Pliers
Hammer



YOU MAY ALSO NEED:

Petroleum jelly or liquid soap
Adjustable Pipe Wrench
Flexible Drain Pipe
Plumber's Snake
Plumber's Putty

FOR INSTALLATION WITH DISHWASHER:




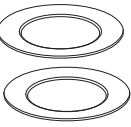


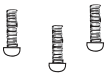



Punch or wooden dowel
Hose clamps
Dishwasher Drain Connector
Stepped Rubber Drain Adapter

1. REMOVAL OF THE OLD UNIT

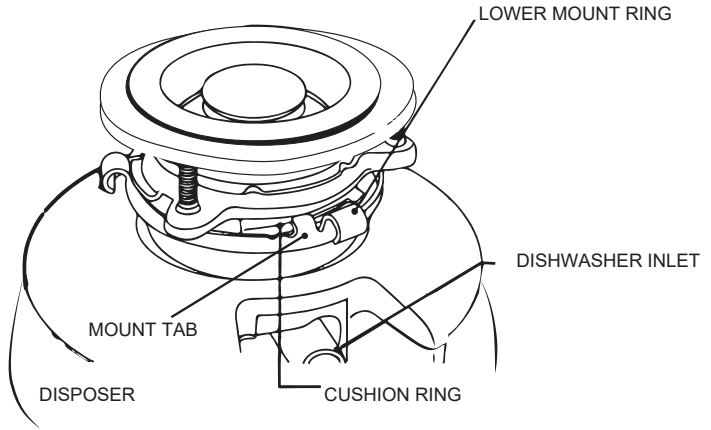
BEFORE BEGINNING ANY WORK - TURN OFF ELECTRICAL POWER AT THE CIRCUIT BREAKER OR FUSE BOX AND UNPLUG THE OLD DISPOSER.

1. Disconnect the drain line at the trap. (Water will be present in the trap)
2. Disconnect the old disposer & sink flange. (Support the disposer while removing so it does not fall)
3. Remove the sink flange and all old sealing materials from sink opening, top & bottom.
(Sealing surfaces must be completely clean to avoid leaks)
4. Inspect drain line - use a Plumber's Snake to clear any hardened grease or accumulation of debris.

FAMILIARIZE YOURSELF WITH HOW THE DISPOSER ASSEMBLES

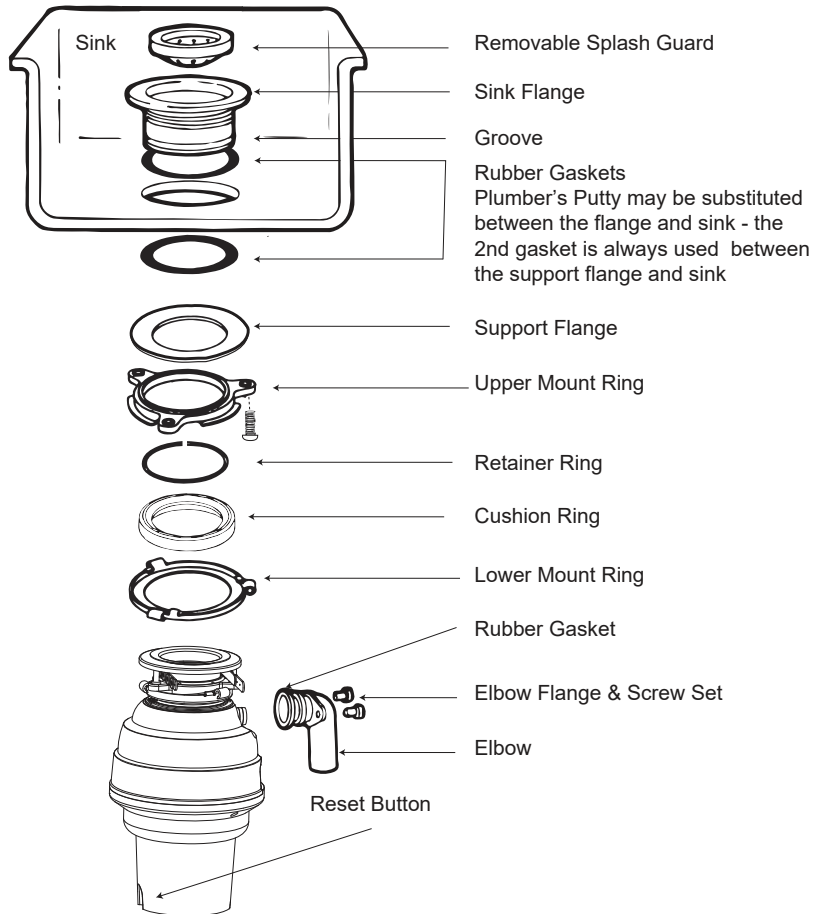
- A  STOPPER
- B  REMOVABLE SPLASH GUARD
- C  SINK FLANGE
- D  RUBBER GASKET (2)
- E  SUPPORT FLANGE
- F  UPPER MOUNT RING
- G  MOUNT SCREWS
- H  RETAINER RING
- I  CUSHION RING*
- J  LOWER MOUNT RING*

READ CAREFULLY AND COMPLETELY BEFORE STARTING
 NOTE: As the mounting assembly is properly assembled at the factory, please pay close attention to the order of the mounting system parts.



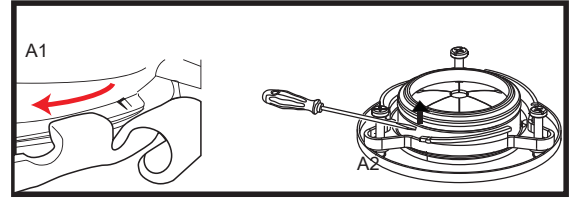
NOTE: Cushion Ring included between the Upper Mount Ring and Lower Mounting Ring.

* Part not disengaged during disposer installation.

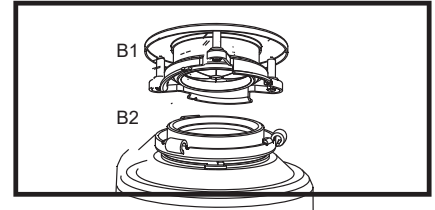


HOW THE SINK FLANGE ASSEMBLES

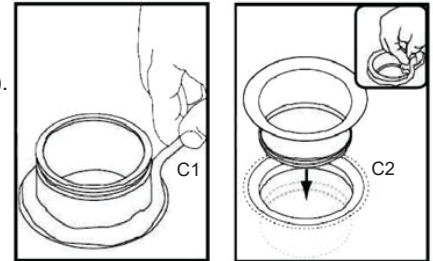
A. The Cushion Ring and the Lower Mount Ring will remain attached to the disposer during installation. Take apart the other parts of the mounting assembly by rotating the Lower Mount Ring (J on page 3) clockwise until the Lower Mount Ring Tabs slide off from the Upper Mount Ring ramp (A1). This allows you to pull the Sink Flange up and out of the remaining Lower Mount Assembly. Note the order of these parts as they are arranged in the required order. Unscrew the 3 Mount Screws until the Upper Mount Ring can be moved to the top of the Support Flange. Remove the Retainer Ring with a flat head screw driver.(A2)



B. Keep the remaining parts placed together in the order they were removed (B1). Before you connect the disposer to the mount assembly under the sink, make sure the Lower Mount Ring is in place and the black Cushion Ring is still engaged properly to the top of the disposer hopper (B2).

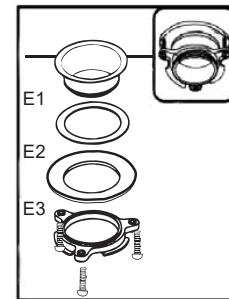


C. Be sure the sink is clean. With Stainless Steel sinks, use the rubber gasket supplied on the underside of the flange. For other types of sinks use plumber's putty BUT DO NOT USE BOTH. If plumber's putty is used, apply to underside rim of the sink flange (C1). From top of the sink, push the sink flange down against the sink opening to make a good seal (c2). DO NOT MOVE OR ROTATE the sink flange once it has been seated or the seal may be broken.

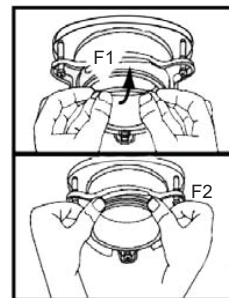


D. Place a heavy object, such as the disposer (use a towel to prevent scratching sink) on top of the Sink Flange to hold it down.

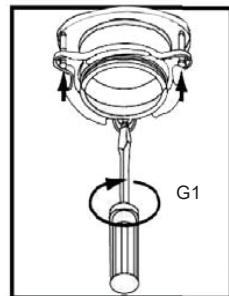
E. Take the remaining portion of the mount assembly, that was put aside. From under the sink insert the Rubber Gasket (E1), then the Support Flange (E2) and then the Upper Mount Ring (E3).



F. Hold the three parts in place while attaching the Retainer Ring (F1) by pulling it apart and having it snap within the groove of the sink flange (F2).



G. Tighten the three Mount Screws evenly and firmly against the Support Flange (G1). Do not over tighten.



H. Trim off any excess plumber's putty in the sink with a plastic knife or something similar that will not damage your sink. You may now remove the weight, Step "D".

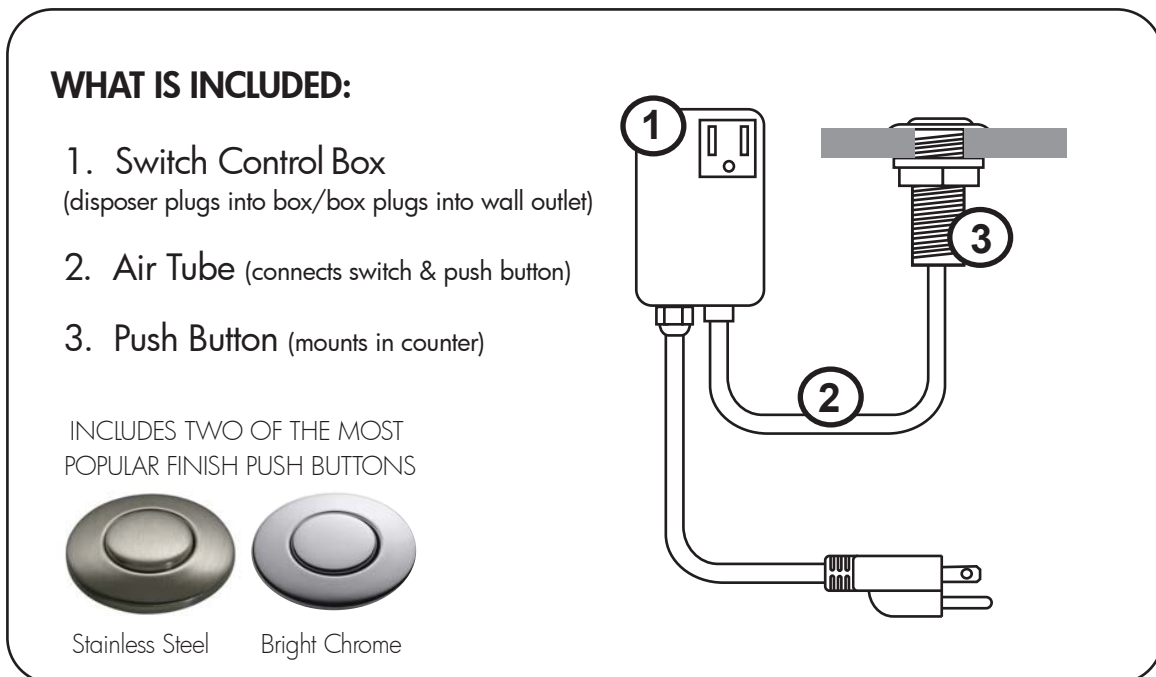
OPTIONAL ACCESSORIES:

REMOTE AIR SWITCH: Part # XODAIRSWITCH

The Remote Air Switch is a simple, reliable way to have a convenient activation switch next to the sink for your Disposer. Because the push button works using air pressure, it keeps electricity away from the area immediately around the sink, so it is inherently safer. It is only used with **CONTINUOUS FEED** Disposers.

The product is easily installed and comes with two different, popular button finishes to match your decor.

Simply install the **Push Button** through a hole drilled in the counter, mount the **Switch Box** proximate to the outlet and run a small **Air Tube** between the two. After you have finished your **Disposer** installation - plug the **Switch Box** into the outlet and the **Disposer** into the **Switch Box**. There is no internal re-wiring required.



FARM SINK ADAPTER: Part # XODFSADAPTER

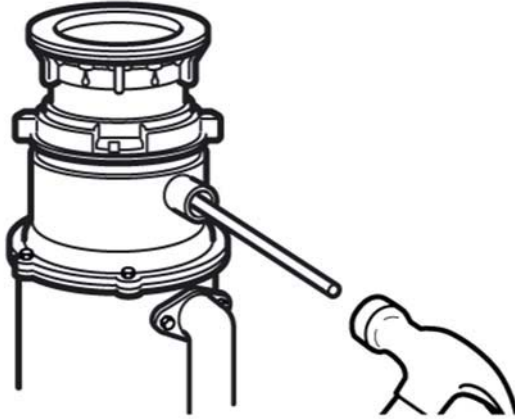
Stainless steel deep drawn drain flange for use with farm sinks.



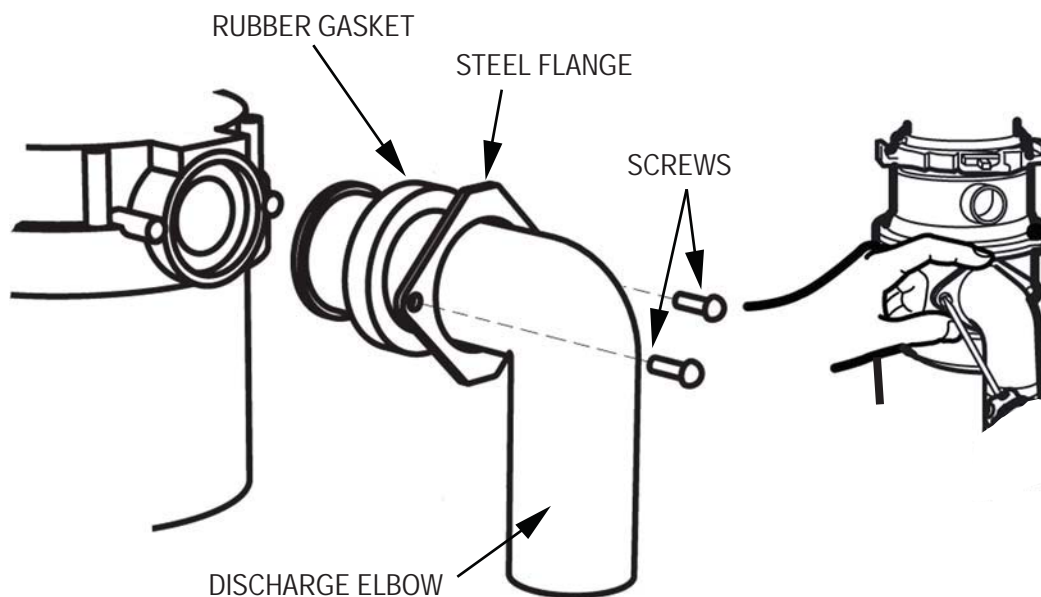
PREPARE THE DISPOSER FOR INSTALLATION

IF YOU ARE USING THE DISPOSER WITH A DISHWASHER:

1. Remove the knock out plug from the housing. Using a hammer and a blunt instrument such as a wooden dowel or a metal pin punch knock out the entire plug as shown. **DO NOT USE A SHARP TOOL**, such as a screwdriver. When the knock out plug falls into the disposer you may remove it or leave it to be ground up during operation. (This will not damage the disposer but it may take several operations to be ground up completely).

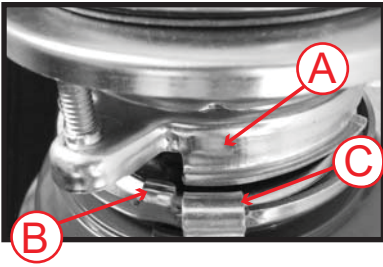


2. Attach the **Discharge Elbow**. Using the parts provided, slide the **Rubber Gasket** into place on the elbow and using the **Steel Flange** and **Two Screws**, fasten the **Discharge Elbow** in place.



CONNECTING THE DISPOSER TO THE SINK FLANGE

Attach disposer onto the Upper Mount Ring by aligning the three mount tabs on the Lower Mount Ring with the slide-up Ramps on the Upper Mount Ring and rotating counter clockwise. See Below.



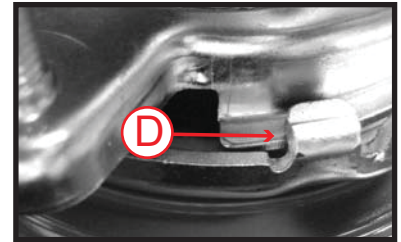
The lower mounting ring (which is part of the disposer) has 3 tabs which grab the mounting ring ramp.

(A) points to the Upper Mount Ring.

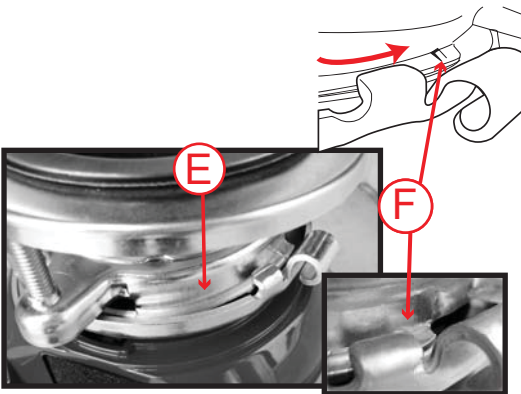
(B) tab that slides up on to the ramp.

(C) is the "Ear" used to rotate the Lower Mount Ring.

Use a screwdriver for leverage as needed.



Lift and turn the Lower Mount Ring counter-clockwise until all three mount tabs lock over the Stop (F) on the Slide-up Ramps (D) of the Upper Mount Ring.



As the Lower Mount Ring is turned counter-clockwise each tab slides up on to the Upper Mount Ring Ramp (E) and will lock in position over the stops (F).

Use a screwdriver inserted through the "Ear" for leverage.

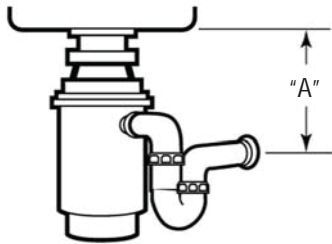
If a disposal needs to be removed, use a screwdriver inserted through the "Ear" for leverage or tap on the "Ear" with a hammer to rotate the ring clockwise to loosen.

COMMON INSTALLATIONS

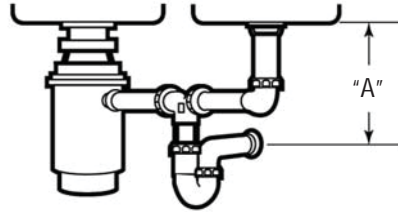
It is essential for proper operation that the Disposer drain completely when not in use. For that reason, minimum distances "A" between the bottom of the sink and the drain outlet must be maintained.

BATCH FEED MODELS - minimum height clearance 10"

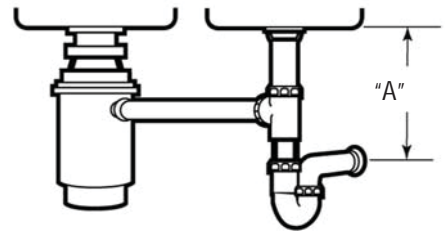
CONTINUOUS FEED MODELS - minimum height clearance 8"



SINGLE BOWL

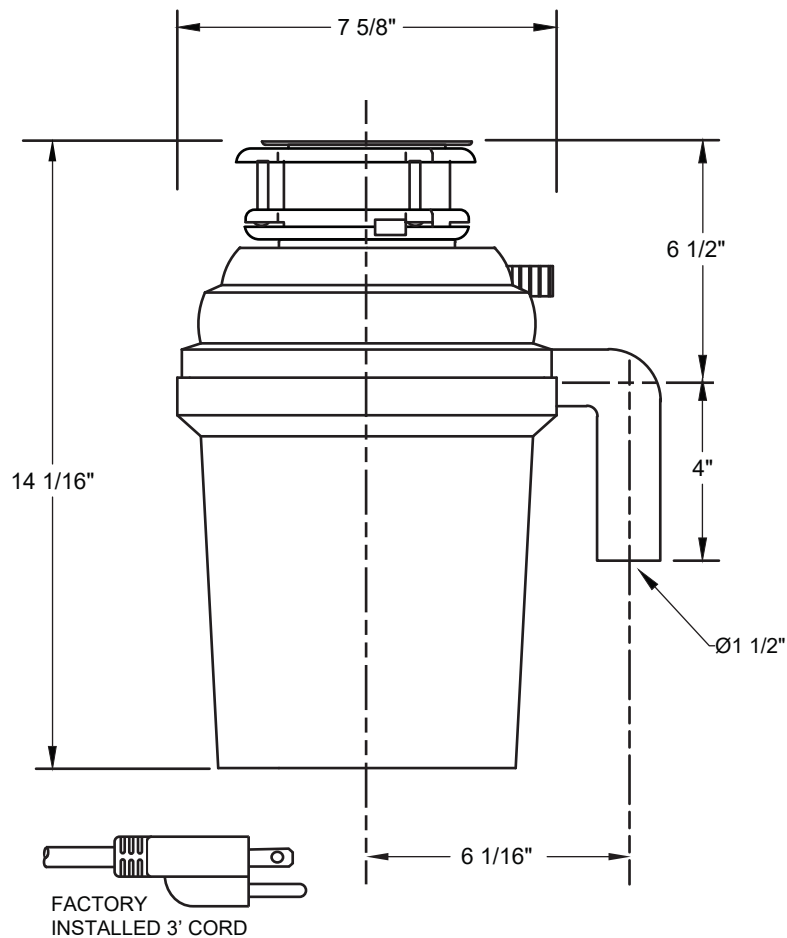


DOUBLE BOWL
CENTER OUTLET



DOUBLE BOWL
END OUTLET

DIMENSIONS



OPERATION - CONTINUOUS FEED DISPOSERS

1. Remove the sink stopper and turn on a medium flow of cold water.
2. Turn the switch "ON".
3. Scrape in food waste.
4. Disposal process can be speeded up by breaking up larger bones, cobs and rinds. Large bones, fibrous husks and similar waste may be more easily disposed of as trash.
5. During grinding, the Disposer motor may slow down. This is normal. As the disposer slows down, torque (power to grind) increases.
6. After grinding allow the cold water to run for 15 to 30 seconds to ensure that waste is flushed through the trap and down the drain.
7. **DO NOT USE HOT WATER.** Cold water helps keep fats solid so they are readily flushed down the drain.

CARE & MAINTENANCE

TIPS FOR SUCCESSFUL OPERATION:

1. Be sure the disposer is empty before running dishwasher for proper drainage.
2. Leave stopper in when not in use to prevent foreign objects from falling into the disposer.
3. Non Food items such as plastic, glass, metal, clam/oyster shells, rubber, string, feathers, china, leather, cloth, etc. will not grind and can cause jamming or damage or personal injury.
4. **DO NOT ATTEMPT TO LUBRICATE YOUR DISPOSER.** The motor is permanently lubricated and sealed.
5. The disposer is self scouring. To remove odors, grind lemon rinds or ice cubes sprinkled with scouring powder.
6. **NEVER PUT LYE OR DRAIN CLEANERS INTO A DISPOSER.**
7. Mineral deposits may cause minor discoloring but the stainless steel components will not rust in normal use.
8. Some food items such as poultry or fish skin which are thin and flexible do not grind well and can stick.

TROUBLESHOOTING

An **UNUSUAL LOUD NOISE** is generally the result of a foreign metal object in the disposer - switch off and unplug before removing the object with long handled tongs.

NEVER reach into a disposer with your hand. Replace the splash guard afterward.

LEAKS are generally the result of an improperly tightened or misaligned seal.

If the **UNIT DOES NOT START:** Switch off and unplug, first.

Remove splash guard and using a long wooden spoon or broom handle see if the turn table rotates freely.

If it turns easily, check to see if the red reset button has tripped, push it in.

If it has tripped it should click and remain depressed.

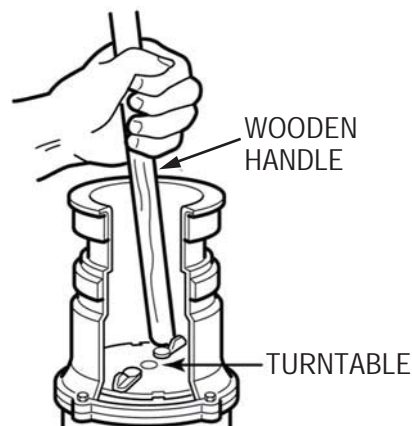
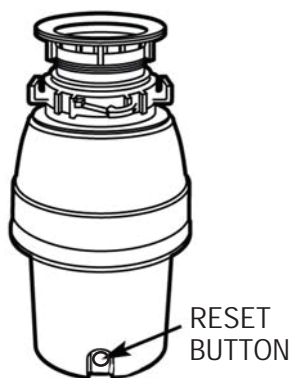
If the table does not turn, see if a foreign object is lodged.

Pry it free with a long wooden spoon, or wooden handle - then remove it using long handled tongs.

Replace the splash shield.

If the unit does not turn and no foreign object is present the unit may have an internal problem.

Seek help, never disassemble a disposer.



**In addition to the best coverage in the industry
XO products are backed by our unique
90 Day Love It or Leave It guarantee.**



LIMITED WARRANTY

This limited warranty is provided by XO Appliance (XO) to the original consumer owner (customer) of the XO Disposer product installed in the original location.

XO warrants to Customer that your XO Disposer will be free from defects in materials and workmanship, subject to the exclusions described below, for the term described below commencing on the date of purchase, or the date of manufacture as identified by your XO Product serial number. You must register your product within 30 days of purchase to validate the warranty and retain your original receipt as proof of purchase. You may register your appliance at: <http://xodisposer.com>

ALL 1 HP DISPOSERS have a limited lifetime warranty

ALL 3/4 HP DISPOSERS have a limited 10 year warranty

ALL 1/2 HP DISPOSERS have a limited 5 year warranty EXCEPT FOR

BUILDER MODELS which have a 3 year limited warranty

If you are unable to provide documentation supporting either the Warranty Period commencement date will be determined by Manufacturer, in its sole and absolute discretion, based upon your XO Product serial number.

What is Covered: This limited warranty covers defects in materials or workmanship, subject to the exclusions below, in XO Products used by a consumer Customer for residential use only, and includes all replacement parts and labor costs. YOUR SOLE AND EXCLUSIVE REMEDY UNDER THIS LIMITED WARRANTY SHALL BE LIMITED TO REPAIR OR REPLACEMENT OF THE XO PRODUCT, PROVIDED THAT IF WE DETERMINE IN OUR SOLE DISCRETION THAT NEITHER REMEDY IS PRACTICABLE, WE MAY PROVIDE YOU A REFUND OF YOUR PURCHASE PRICE OR A CREDIT TOWARDS ANOTHER XO PRODUCT.

What is not Covered: This limited warranty does not extend to and expressly excludes:

- Losses or damages or the inability to operate your XO Product resulting from conditions beyond the Manufacturer's control including, without limitation, accident, alteration, misuse, abuse, neglect, negligence (other than Manufacturer's), failure to install, maintain, assemble, or mount the XO Product in accordance with Manufacturer's instructions or local electrical and plumbing codes.
- Wear and tear expected to occur during the normal course of use, including without limitation, cosmetic rust, scratches, dents or comparable and reasonably expected losses or damages.

In addition to the above exclusions, this limited warranty does not apply to XO Products installed in a commercial or industrial application.

No Other Express Warranty Applies: This limited warranty is the sole and exclusive warranty provided to the Customer identified above. No other express warranty, written or verbal, applies. No employee, agent, dealer, or other person is authorized to alter this limited warranty or make any other warranty on behalf of Manufacturer. The terms of this limited warranty shall not be modified by the Manufacturer, the original owner, or their respective successors or assigns.

If your XO Product does not operate in accordance with the documentation provided to you, or you have questions concerning your XO Product or how to determine when service is needed, please call XO at 973-403-8900, or visit our website at www.XODISPOSER.com. You may also notify us at: XO Appliance, 24 Eisenhower Parkway, Roseland, NJ 07068.

The following information must be provided as part of your warranty claim: your name, address, phone number, your XO Product model and serial number, and if necessary, upon request, written confirmation of either: (a) the date shown on your installation receipt, or (b) the date shown on your purchase receipt.

Manufacturer or its authorized service representative will determine, in its sole and absolute discretion, if your XO Product is covered under this limited warranty. You will be given the contact information for your closest authorized XO Service provider. Only an authorized XO service representative may provide warranty service. XO is not responsible for warranty claims arising from work performed on your XO Product by anyone other than an authorized XO service representative.

THANK YOU FOR CHOOSING XO

IF YOU LIKE OUR DISPOSERS, YOU'LL LOVE OUR KITCHEN VENTILATION

**INNOVATION, TOP DESIGN,
ADVANCED TECHNOLOGY, CREATIVE THINKING,
WITH EXTRAORDINARY CUSTOMER SERVICE**

XO is more than a brand. XO is a customer experience.

We decided to develop a new company which truly believes in providing customer satisfaction. From beginning to end XO will deliver more.

All XO quality products are backed by an unmatched and comprehensive warranty program.

Problems happen, they always do. It could be a dent while handling, a defective part or an improper installation. Don't worry XO will be there to help resolve the issue. Your total satisfaction is our main concern.

We believe in extraordinary customer service with a personal touch. We are putting into practice our vision of becoming the most innovative, customer oriented Appliance Company in the world.



YOU CAN SEE
OUR COMPLETE LINE OF
KITCHEN VENTILATION AT
WWW.XOVENTILATION.COM



For 90 days, all our products are backed by our unique Love It or Leave It Guarantee



www.xoappliance.com