

WWD660 WCS TDos

W1 front-loading washing machine:

With TwinDos and Miele@home for smart laundry care and maximum convenience.



- Precise and automatic detergent dispensing with TwinDos®
- The Pre-ironing extra reduces creasing and saves up to 50% time and effort#
- Exclusive CapDosing range for different fabrics and stains
- Wash small & large loads efficiently – automatic load recognition
- ENERGY STAR® qualified

EAN: 4002516376705 / Material number: 11614100 / Old Material Number: 11WD6601USA

<b>Design</b>	
Stackable	•
Side-by-side	•
Slot-in	•
Door hinging	left
<b>Type</b>	
Product brand	W1 White Edition
Front loaders	•
<b>Spinning</b>	
Max. spin speed	1600
Rinse hold	•
Without spin" function	•
<b>Design</b>	
Appliance color	Lotus white
Control panel color	Lotus white
Door design	Obsidian Black with white ring
Rotary selector color	Lotus White
Fascia panel version	5° inclined
Control type	Selector dial
Control panel	DirectSensor yellow, 7 segment
<b>Cleaning performance</b>	
TwinDos automatic dispensing of detergent	•
CapDosing portioned dispensing	•
<b>Gentle laundry care</b>	
Honeycomb drum	•
Load in lbs. (kg)	18 (8.0)
<b>User convenience</b>	
Networking with Miele@home	•
Delay start up to 24 hours	•
Countdown indicator	•
AutoClean dispenser drawer	•
AddLoad	•
<b>Efficiency and sustainability</b>	
Hot water connection	•
Low-temperature washing "Cold" and "68°F"	•
Automatic load control	•
Flow meter	•
Foam control	•
ProfiEco motor	•
<b>Wash programs</b>	
Delicates	•
Express	•
Outdoor	•
Proofing	•
Normal	•
Sanitize	•
Handwash	•
Dress shirts	•

WWD660 WCS TDos

W1 front-loading washing machine:

With TwinDos and Miele@home for smart laundry care and maximum convenience.



EAN: 4002516376705 / Material number: 11614100 / Old Material Number: 11WD6601USA

Extra White	•
Darks/Denims	•
Drain/Spin	•
<b>Washing extras</b>	
SoftSteam with steam	•
<b>Quality</b>	
Counterweights made of cast iron	•
<b>Safety</b>	
Water protection system	Watercontrol-System
Child lock	•
Lock code	•
Optical interface	•
<b>Technical data</b>	
Dimensions (width) in in. (mm)	23 1/2 (596)
Dimensions (height) in in. (mm)	33 1/2 (850)
Dimensions (depth) in in. (mm)	25 3/8 (643)
Depth with door open in in. (mm)	42 1/2 (1077)
Weight in lbs. (kg)	212 (96)
Total connected load in kW	1.30
Voltage in V	120
Fuse rating in A	15
Frequency in Hz	60
Length of supply lead in ft. (m)	6 (2)

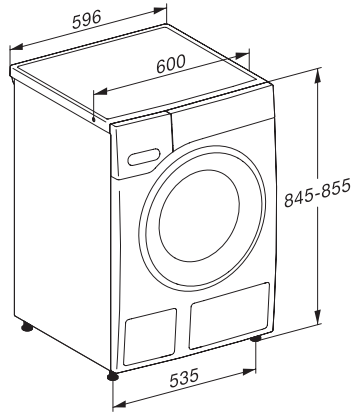
WWD660 WCS TDos

W1 front-loading washing machine:

With TwinDos and Miele@home for smart laundry care and maximum convenience.



W1 drawing, facia 5 degree, measures in mm



W1 drawing, facia 5 degree, measures in mm



W1 drawing, facia 5 degree, measures in mm



W1 drawing, facia 5 degree, measures in mm