



24" Undercounter Wine Center

WUW35X24D



Stainless Steel
WUW35X24DS

Capacity

Bottle Capacity	51
-----------------	----

General Features & Properties

Towel Bar Handle

Reversible Door

Wood Rack Fronts

Black Cabinet

Door Open Alarm

High Temperature Alarm

Electrical Details

Amps	15 or 20
------	----------

Volts	115
-------	-----

Technical Details

Refrigerator Type	Undercounter
-------------------	--------------

Number of Wine Racks	6
----------------------	---

Rack Fronts	Wood
-------------	------

Lighting Type	LED
---------------	-----

Control Location	Interior Up Front
------------------	-------------------

Installation Option	Freestanding or Built-In
---------------------	--------------------------

Dimensions

Product Dimensions (H x W x D)	34-1/4" x 23-13/16" x 23-3/4"
--------------------------------	-------------------------------

Cutout Dimensions (H x W)	34-1/4" x 24-5/8"
---------------------------	-------------------

Reference Material

[Dimension Guide](#)

[Use & Care Guide](#)

[Warranty](#)

Key Features & Benefits

Single-Temperature Controlled Zone

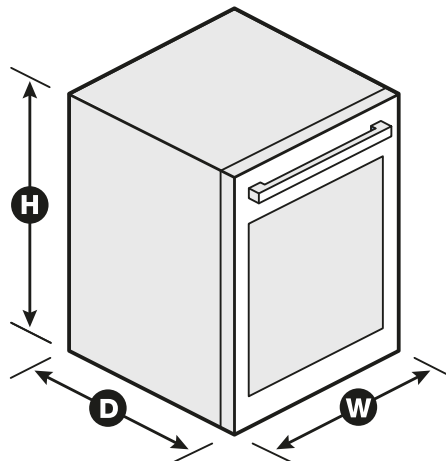
Custom temperature selection allows you to store wine the way you prefer.

LED Interior Lighting

Keep drinks looking as good as they taste. Light is cast inside so everything looks like it's supposed to.

Wine Storage

Conveniently store up to 51 bottles of wine in a designated area.



NOTE: Dimensions are for planning purposes only. For complete details, see Installation Instructions packed with product. Specifications subject to change without notice.

®/™ © 2020. All rights reserved. Printed in the U.S.A. D200052XXC. WUW35X24DSPECSHEETV01.