



OWNER'S MANUAL

WASHING MACHINE

Read this owner's manual thoroughly before operating the appliance and keep it handy for reference at all times.

ENGLISH

WT7150C* / WT7000C*



MFL68267084
Rev.01_061021

www.lg.com

Copyright © 2021 LG Electronics Inc. All Rights Reserved.

TABLE OF CONTENTS

3 IMPORTANT SAFETY INSTRUCTIONS

- 3 READ ALL INSTRUCTIONS BEFORE USE
- 3 WARNING STATEMENTS
- 6 CAUTION STATEMENTS

7 PRODUCT OVERVIEW

- 7 Product Features

9 INSTALLATION

- 9 Before Installing
- 10 Choosing the Proper Location
- 11 Unpacking and Removing Shipping Material
- 11 Connecting the Water Inlet Hoses
- 12 Connecting the Drain Hose
- 13 Leveling the Washer
- 14 Final Installation Check

16 OPERATION

- 16 Before Use
- 17 Sorting Laundry
- 18 Loading the Washer
- 19 Adding Cleaning Products
- 22 Control Panel
- 24 Wash Cycles
- 27 Cycle Modifiers
- 27 Options and Extra Functions

30 SMART FUNCTIONS

- 30 LG ThinQ Application
- 30 Smart Diagnosis™ Function

31 MAINTENANCE

- 31 Regular Cleaning
- 31 Periodic Maintenance
- 34 Care in Cold Climates

36 TROUBLESHOOTING

- 36 Before Calling for Service

44 LIMITED WARRANTY

- 44 USA
- 47 CANADA

IMPORTANT SAFETY INSTRUCTIONS

READ ALL INSTRUCTIONS BEFORE USE

Safety Messages

Your safety and the safety of others are very important.

We have provided many important safety messages in this manual and on your appliance. Always read and follow all safety messages.



This is the safety alert symbol.

This symbol alerts you to potential hazards that can kill or injure you and others. All safety messages will follow the safety alert symbol and either the word WARNING or CAUTION.

These words mean:



WARNING

You may be killed or seriously injured if you do not follow instructions.



CAUTION

You may be injured or cause damage to the product if you do not follow instructions.

All safety messages will tell you what the potential hazard is, tell you how to reduce the chance of injury, and tell you what may happen if the instructions are not followed.

WARNING STATEMENTS



WARNING

- To reduce the risk of explosion, fire, death, electric shock, scalding or injury to persons when using this product, follow basic precautions, including the following:

Installation

- Adhere to all industry recommended safety procedures including the use of long-sleeved gloves and safety glasses.
- Never attempt to operate this appliance if it is damaged, malfunctioning, partially disassembled, or has missing or broken parts, including a damaged cord or plug.
- Before use, the appliance must be properly installed as described in this manual.
- To reduce the risk of severe injury or death, follow all installation instructions.
- Refer to the INSTALLATION INSTRUCTIONS for detailed grounding procedures. Installation instructions are packed with the appliance for the installer's reference. If the appliance is moved to a new location, have it checked and reinstalled by qualified service personnel.
- Moving or installation of the appliance requires two or more people.
- Do not install the appliance in humid spaces.
- Store and install the appliance where it will not be exposed to temperatures below freezing or exposed to outdoor weather conditions.
- This appliance is not designed for maritime use or for mobile installations such as in RVs, trailers, or aircraft.
- Strongly recommend not using a drain pan when installing this appliance, as standing water in the drain pan may increase the risk of electric shock, injury, or death.

4 IMPORTANT SAFETY INSTRUCTIONS

- Keep packing materials out of the reach of children. Packaging material can be dangerous for children. There is a risk of suffocation.
- Destroy the carton, plastic bag, and other packing materials after the appliance is unpacked. Children might use them for play. Cartons covered with rugs, bedspreads, or plastic sheets can become airtight chambers.
- The appliance must be installed and electrically grounded by qualified service personnel in accordance with local codes.
- When installing or moving the appliance, be careful not to pinch, crush, or damage the power cord.
- Connect to a properly rated, protected, and sized power circuit to avoid electrical overload.
- This appliance must be positioned near to an electrical power supply.
- Disconnect the power cord, house fuse or circuit breaker before installing or servicing the appliance.
- The power cord of this appliance is equipped with a 3-prong (grounding) plug which mates with a standard 3-prong (grounding) wall outlet to minimize the possibility of electric shock from this appliance.
- Do not, under any circumstances, cut or remove the third (ground) prong from the power cord.
- Use new hoses when connecting the appliance to the water supply. Do not reuse old hoses.

Operation

- Read all instructions before using the appliance and save these instructions.
- Use this appliance only for its intended purpose.
- If the product has been submerged in water, sitting in standing water, or waterlogged, do not come in contact with the product and immediately contact an LG Electronics customer information center for instructions before resuming use.
- If you detect a strange sound, a chemical or burning smell, or smoke coming from the appliance, unplug it immediately, and contact an LG Electronics Customer Information Center.
- Under certain conditions, hydrogen gas may be produced in a hot-water system that has not been used for two weeks or more. HYDROGEN GAS IS EXPLOSIVE. If the hot-water system has not been used for such a period, before using the appliance, turn on all hot water faucets and let the water flow from each for several minutes. This will release any accumulated hydrogen gas. As the gas is flammable, do not smoke or use an open flame during this time.
- Do not reach into the washer if the tub or drum, agitator, or any interior parts are moving. Before loading, unloading, or adding items, press **Start/Pause** and allow the tub or drum to coast to a complete stop before reaching inside.
- This appliance is not intended for use by persons (including children) with reduced physical, sensory or mental capabilities, or lack of experience and knowledge, unless they have been given supervision or instruction concerning the use of the appliance by a person responsible for their safety.
- Do not allow children or pets to play on, in or with the appliance. Close supervision is necessary when the appliance is used near children or pets.
- Keep laundry products out of children's reach. To prevent injury to persons, observe all warnings on product labels.
- Repair or immediately replace all power cords that have become frayed or otherwise damaged. Do not use a cord that shows cracks or abrasion damage along its length or at either end.
- Never unplug the appliance by pulling on the power cord. Always grip the plug firmly and pull straight out from the outlet.
- Do not use an extension cord or adapter with this appliance.
- Do not grasp the power cord or touch the appliance controls with wet hands.
- Do not modify or extend the power cord.
- If the electrical supply cord is damaged, it must only be replaced by the manufacturer or its service agent or a similar qualified person in order to avoid a hazard.
- Do not put oily or greasy clothing, candles or flammable materials on top of the appliance.

- Keep the area underneath and around your appliances free of combustible materials (lint, paper, rags, etc.), gasoline, chemicals and other flammable vapors and liquids.
- Do not store or use gasoline or other flammable vapors and liquids in the vicinity of this or any other appliance.
- Do not mix chlorine bleach with ammonia or acids such as vinegar. Follow package directions when using laundry products. Incorrect usage can produce poisonous gas, resulting in serious injury or death.
- Never use harsh chemicals, abrasive cleaners, or solvents to clean the washer. They will damage the finish.
- Do not wash laundry that has been previously cleaned in, washed in, soaked in, or spotted with gasoline, dry-cleaning solvents, vegetable or cooking oil, or other flammable or explosive substances, as they give off vapors that could ignite or explode.
- Do not add gasoline, dry cleaning solvents, or other flammable or explosive substances to the wash water. These substances give off vapors that could ignite or explode.
- In the event of a gas leak (propane gas, LP gas, etc.), do not operate this or any other appliance. Open a window or door to ventilate the area immediately.
- Do not tamper with controls.
- Fix the drain hose securely in place to avoid flooding.
- Do not abuse, sit on, or stand on the lid of the appliance.
- Keep hands and foreign objects clear of the lid and latch area when closing the lid.
- Always check the inside of the appliance for foreign objects.

Maintenance

- Do not repair or replace any part of the appliance. All repairs and servicing must be performed by qualified service personnel unless specifically recommended in this owner's manual. Use only authorized factory parts.
- Disconnect this appliance from the power supply before cleaning and attempting any user maintenance. Turning the controls to the OFF position does not disconnect this appliance from the power supply.
- Remove any dust or foreign matter from the power plug pins.
- Do not disassemble or repair the appliance by yourself.
- Remove the lid before the appliance is removed from service or discarded to avoid the danger of children or small animals getting trapped inside.
- Make sure the dispenser drawer or lid is closed at all times when not being filled with laundry products.

Grounding Instructions

- Improper connection of the equipment-grounding conductor can result in a risk of electric shock. Check with a qualified electrician or service personnel if you are in doubt whether the appliance is properly grounded. Do not modify the plug provided with the appliance; if it will not fit the outlet, have a proper outlet installed by a qualified electrician.
- The appliance must be grounded. In the event of a malfunction or breakdown, grounding will reduce the risk of electric shock by providing a path of least resistance for electric current. The appliance is equipped with a cord having an equipment-grounding conductor and a grounding plug. The plug must be plugged into an appropriate outlet that is installed and grounded in accordance with all local codes and ordinances.

CAUTION STATEMENTS

CAUTION

- To reduce the risk of minor or moderate injury to persons, malfunction, or damage to the product or property when using this product, follow basic precautions, including the following:
-

Installation

- Install the product on a firm and level floor.

Operation

- Do not place objects on top of the appliance.
- Turn off the water faucets and unplug the appliance if the appliance is to be left for an extended period of time, such as during vacations.
- ALWAYS follow the fabric care instructions supplied by the garment manufacturer.
- Use fabric softeners or products to eliminate static only as recommended by the manufacturer.
- Do not combine laundry products for use in one load unless specified on the label.
- Do not touch draining water which may be hot.
- If the drain hose and the water inlet hose are frozen in winter, defrost them before using the appliance.
- Do not store or spill liquid detergents, cleaners, or bleaches (chlorine bleach, oxygen bleach) on the appliance. Doing so may result in corrosion, discoloration or damage to the surface of the appliance.
- Clothing or articles that are waterproof or water resistant must be washed in the Waterproof cycle only. (Examples include water resistant clothing, mattress covers, outdoor clothes, plastic mats.) Using another cycle may result in personal injury or damage to the washer, clothes, walls, floor, and surrounding objects due to abnormal vibration.

SAVE THESE INSTRUCTIONS

PRODUCT OVERVIEW

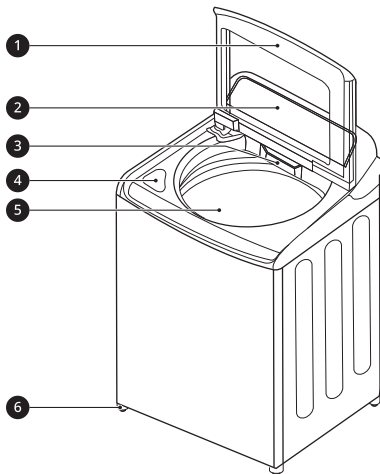
Product Features

The images in this guide may be different from the actual components and accessories, which are subject to change by the manufacturer without prior notice for product improvement purposes.

NOTE

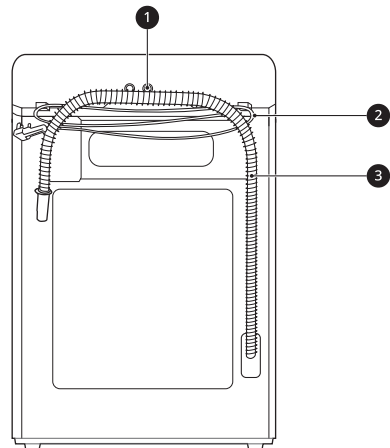
- For your safety and for extended product life, use only authorized components. The manufacturer is not responsible for product malfunction, property damage or bodily injury caused by the use of separately purchased unauthorized components, parts, or non-LG products.

Front View



- ① Lid
- ② Control Panel
- ③ Detergent Dispenser Drawer
- ④ Liquid Bleach Compartment
- ⑤ Tub
- ⑥ Leveling Feet

Rear View



- ① Water Inlets
- ② Power Cord
- ③ Drain Hose

Accessories

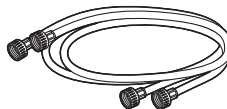
Included Accessories



①

① Tie Strap

Required Accessories



①

① Hot and Cold Water Hoses

Product Specifications

The appearance and specifications listed in this manual may vary due to constant product improvements.

Model	WT7150C*	WT7000C*
Electrical Requirements	120 VAC @ 60 Hz	
Min. / Max. Water Pressure	20 - 120 psi (138 - 827 kPa)	
Dimensions (Width X Depth X Height)	27" X 28 3/8" X 44 1/2" (68.6 cm X 72.1 cm X 113 cm)	
Maximum Height with Lid Open	57 1/4" (145.3 cm)	
Net Weight	127.9 lbs (58 kg)	123.5 lbs (56 kg)
Max. Spin Speed	800 RPM (\pm 50 rpm)	

INSTALLATION

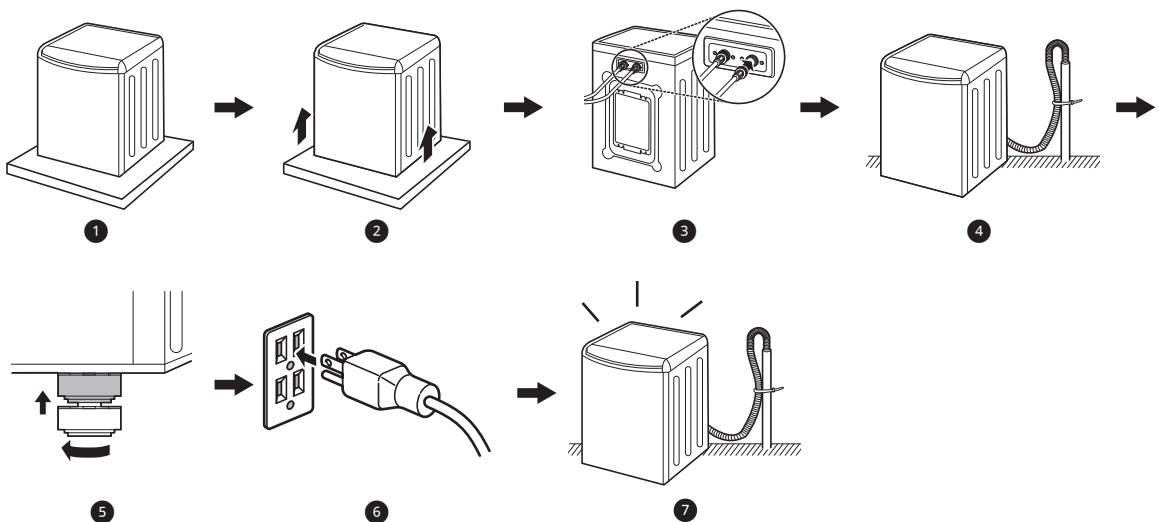
Before Installing

⚠ WARNING

- Moving or installation of the appliance requires two or more people. Failure to follow these instructions may result in injury.
- Store and install the appliance where it will not be exposed to temperatures below freezing or exposed to outdoor weather conditions. Failure to follow this warning can cause product or part failure, serious injury, fire, electric shock, or death.
- Properly ground the washer to conform with all governing codes and ordinances. Failure to follow this warning can cause serious injury, fire, electric shock, or death.
- To reduce the risk of electric shock, do not install the appliance in humid spaces. Failure to follow this warning can cause serious injury, fire, electric shock, or death.
- To ensure proper airflow, do not block the large opening on the bottom of the washer with carpeting or other materials.
- Do not remove the ground prong from the power cord. Do not use an adapter or extension cord. Plug into a grounded 3-prong outlet. Failure to follow this warning can cause serious injury, fire, electric shock, or death.
- Certain internal parts are intentionally not grounded and may present a risk of electric shock only during servicing. Service personnel - Do not contact the following parts while the appliance is energized: pump, motor, noise filter cover, protective cover and heater (on applicable models).

Installation Overview

Please read the following installation instructions first after purchasing this washer or transporting it to another location.

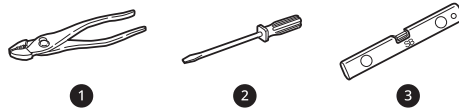


- 1 Choosing the Proper Location
- 2 Unpacking and Removing Shipping Material
- 3 Connecting the Water Inlet Hoses
- 4 Connecting the Drain Hose
- 5 Leveling the Washer

10 INSTALLATION

- 6 Connecting to the Power Supply
- 7 Final Installation Check

Tools Needed



- 1 Pliers
- 2 Flat-Blade Screwdriver
- 3 Level

Choosing the Proper Location

Check the following requirements for the install location before installing the washer.

- Allow for sufficient space between the walls and the washer for installation.
- Make sure that the floor is clean, dry and free of dust, dirt, water and oil so the leveling feet cannot slide easily. Leveling feet that can move or slide on the floor can contribute to excess vibration and noise.
- If the floor has too much flex, reinforce it to make it more rigid. If the floor is not solid, it may cause severe vibration and noise.

Power Outlet

The power outlet must be within **60 inches (1.5 m)** of either side of the washer.

- Position the washer so that the outlet and plug are easily accessible.
- Do not overload the outlet with more than one appliance.
- The outlet must be grounded in accordance with current electrical wiring codes and regulations.
- Use a time-delay fuse or circuit breaker.
- It is the personal responsibility and obligation of the washer owner to have a proper outlet installed by a qualified electrician.

Flooring

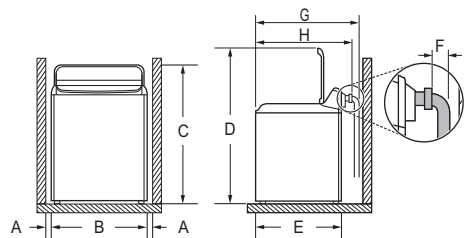
- To minimize noise and vibration, install the washer on a level, solidly constructed floor capable of supporting the washer without flexing or bouncing.

- The washer must be installed on firm flooring to minimize vibration during the spin cycle. Concrete flooring is best, but a wood floor is sufficient, provided it is built to FHA standards.
- The floor under the washer must not slope more than **1 inch (2.5 cm)** from front to back or side to side.
- Installing on carpeting and soft tile surfaces is not recommended.
- Never install the washer on a platform or weakly supported structure.

Floor Installation

To ensure sufficient clearance for water inlet hoses, drain hose and airflow, allow minimum clearances of at least **1 inch (2.5 cm)** at the sides and **4 inches (10 cm)** behind the washer. Be sure to allow for wall, door, or floor moldings that may increase the required clearances.

Minimum vertical space from floor to overhead shelves, cabinets, ceilings, etc., is **58 inches (147 cm)**.



Dimensions and Clearances	
A	1" (2.5 cm)
B	27" (68.6 cm)
C	44 1/2" (113 cm)

Dimensions and Clearances	
D	57 1/4" (145.3 cm)
E	26 3/4" (68 cm)
F	3 1/2" (9 cm)
G	32" (81.1 cm)
H	28 3/8" (72.1 cm)

Unpacking and Removing Shipping Material

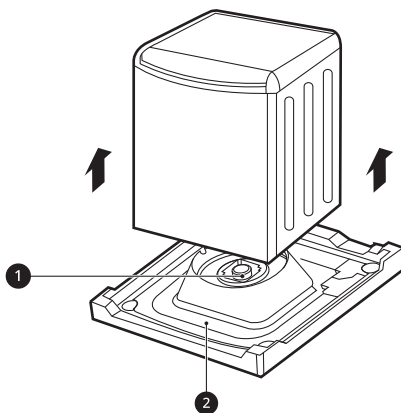
Remove all shipping materials from the washer for proper operation and inspect it for shipping damage.

CAUTION

- Failure to remove shipping materials can cause excessive noise and vibration.

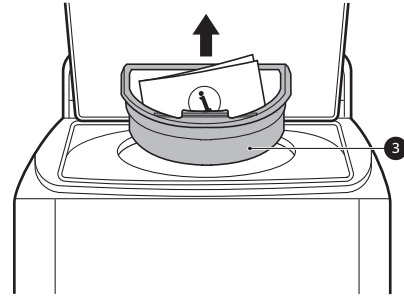
Unpacking Shipping Material

- 1 Lift the washer off of the foam base.
 - After removing the carton and shipping material, lift the washer off the foam base.
 - Make sure the plastic tub support ❶ comes off with the base and is not stuck to the bottom of the washer.
 - If you must lay the washer down to remove the carton base ❷, always protect the side of the washer and lay it carefully on its side. Do not lay the washer on its front or back.



- 2 Remove the foam tub insert.
 - To prevent damage, do not remove the foam insert ❸ containing the owner's manual, parts, and laundry product

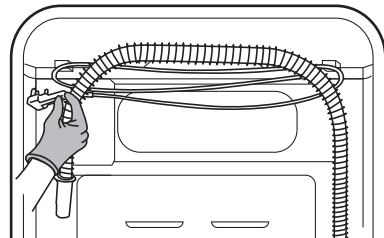
samples from the tub until the washer is in the final location.



NOTE

- Once removed, save the foam insert for future use. If the washer needs to be moved, the foam insert will help prevent damage during transportation.

- 3 Unfasten the power cord.
 - Unfasten the power cord from the back of the washer.



Connecting the Water Inlet Hoses

To avoid the risk of costly water damage, purchase and install new inlet hoses when installing the washer.

WARNING

- Do not overtighten the hoses or cross-thread the hose fittings. Overtightening or cross-threading can damage the valves or couplings, resulting in leaking and property damage.
- Do not reuse old hoses. Use only new hoses when installing the washer. Old hoses could leak or burst causing flooding and property damage. Contact an LG Customer Information Center for assistance in buying hoses.

NOTE

- Periodically check the hoses for cracks, leaks, and wear, and replace the hoses every five years.

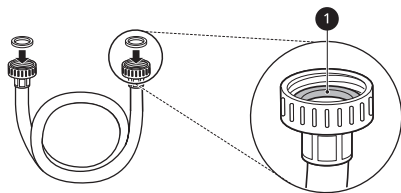
NOTE

- Do not stretch the water hoses intentionally, and make sure that they are not pinched, crushed or kinked by other objects.
- Water supply pressure must be between **20 psi** and **120 psi (138 - 827 kPa)**. If the water supply pressure is more than **120 psi**, a pressure reducing valve must be installed.
- Your hot water heater should be set to deliver water at **120 - 135°F (48 - 57°C)** to allow the washer to properly control wash temperatures.
- Do not store or install the washer in a location subject to freezing temperatures. Damage to the water inlet hoses and internal mechanisms of the washer can result. If the washer was exposed to freezing temperatures prior to installation, allow it to stand at room temperature for several hours before use and check for leaks prior to operation.
- Do not use flood-preventing hoses with auto shutoff devices. The devices can be tripped during fill and prevent the washer from filling properly.

How to Connect the Water Inlet Hoses

1 Check the fittings and seals.

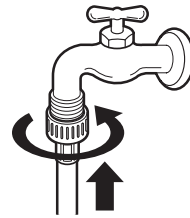
- Inspect the threaded fitting on each hose and make sure there is a rubber seal **1** in place in both ends of each hose to prevent leaking.



2 Connect the water supply hoses.

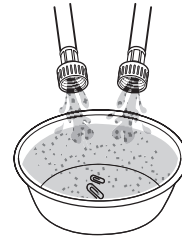
- Connect the water inlet hoses to the hot and cold water faucets tightly by hand and then tighten another 2/3 turn with pliers.

- Connect the blue hose to the cold water faucet and the red hose to the hot water faucet.



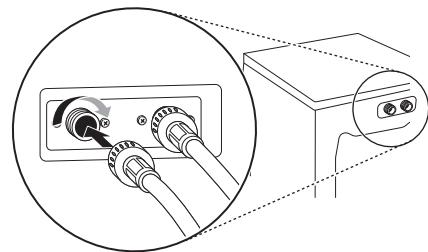
3 After the hoses are connected, turn on the water faucets and flush out any foreign substances such as dirt, sand, or sawdust.

- Let the water drain into a bucket, and check the water temperature to make sure you've connected the hoses to the correct faucets.



4 Attach the inlet hoses to the back of the washer.

- Attach the hot water inlet hose to the hot water inlet on the back of the washer. Attach the cold water inlet hose to the cold water inlet on the back of the washer.
- Tighten the fittings securely. Turn on both faucets all the way and check for leaks at both ends of the hoses.



Connecting the Drain Hose

Connect the drain hose to either a standpipe or laundry tub.

! WARNING

- The drain hose should always be properly secured. Failure to properly secure the drain

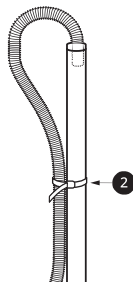
hose can result in flooding and property damage.

NOTE

- The drain must be installed in accordance with any applicable local codes and regulations.
- Make sure that the drain hose is not stretched, pinched, crushed, or kinked.
- The end of the drain hose should be located a minimum of **29.5 inches (75 cm)** and a maximum of **96 inches (244 cm)** above the bottom of the washer.
- For best results, locate the end of the drain hose no higher than **66 inches (168 cm)** above the bottom of the washer. As the drain outlet is raised beyond **66 inches (168 cm)**, the drain function will be increasingly affected.
- Never create an airtight seal between the hose and the drain with tape or other means. If no air gap is present, water can be siphoned out of the tub resulting in poor wash/rinse performance or clothing damage.

Using a Standpipe to Drain

- 1 Insert the end of the drain hose into the standpipe.
- 2 Use the provided tie strap ① to secure the drain hose in place.



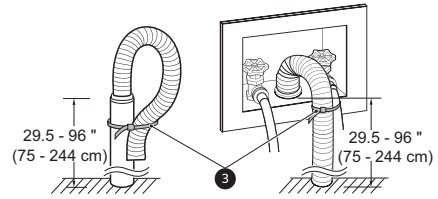
- 3 If the water valves and drain are built into the wall, fasten the drain hose to one of the water hoses with the provided tie strap ② (ribbed side on inside).

CAUTION

- Do not insert the end of the drain hose into the standpipe more than **8 inches (20 cm)**. Doing so can cause siphoning, odors, or improper draining.

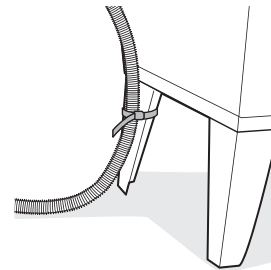
NOTE

- If the drain is large enough for the flange on the hose to fit inside, then do not insert the flange more than 1 - 2 inches into the drain.



Using a Laundry Tub to Drain

- 1 Hang the end of the drain hose over the side of the laundry tub.
- 2 Use the provided tie strap to secure the drain hose in place.



Leveling the Washer

The tub of the washer spins at very high speeds. To minimize vibration, noise, and unwanted movement, the floor must be a solid, level surface.

CAUTION

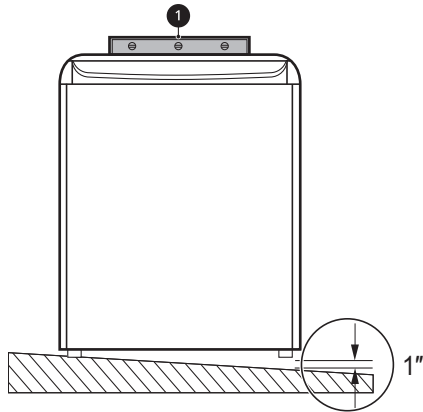
- Using the washer without leveling it may cause excess vibration and noise, leading to a washer malfunction.
- Adjust the leveling feet only as far as necessary to level the washer. Extending the leveling feet more than necessary can cause the washer to vibrate.

NOTE

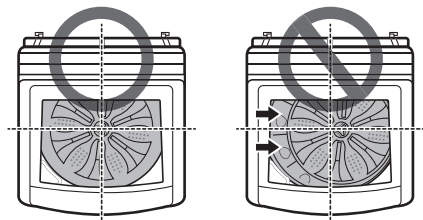
- Before installing the washer, make sure that the floor is clean, dry and free of dust, dirt, water and oil so the washer feet cannot slide easily. Feet that move or slide on the floor can contribute to excessive vibration and noise.

How to Level the Washer

- 1 Position the washer in its final location.
 - Take special care not to pinch, strain, or crush the water and drain hoses. If you have a carpenter's level **1**, you can use it to check that the washer is level. The slope beneath the washer should not exceed **1 inch**, and all 4 leveling feet must rest firmly on the floor.



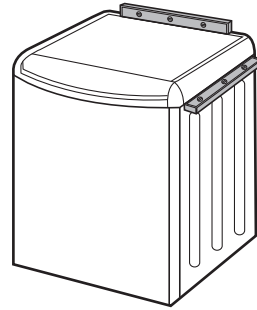
- 2 Open the lid and look from above to see if the tub is centered.
 - If the tub is not centered, readjust the front feet. If you have a level, check the washer with the level.



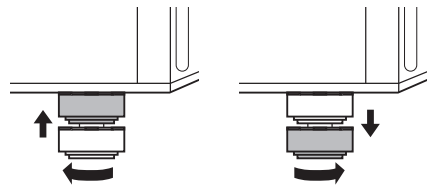
NOTE

- To check if the washer is level from side to side, place a level on the back edge of the lid.
- To check if the washer is level from front to back, place a level on the edge where the cabinet side meets the top cover. Do not place the level on

the top of the lid. Using these surfaces will result in the washer being unlevel.



- 3 Adjust the leveling feet.
 - Turn all 4 leveling feet in one direction to raise the washer or the other direction to lower it.



- 4 Recheck the washer's levelness.
 - Push or rock the top edges of the washer gently to make sure the washer does not rock. If the washer rocks, readjust the leveling feet.
 - If the lid does not stay open properly, extend the front leveling legs until the washer is level from front to back.

Final Installation Check

Connecting to the Power Supply

Plug the washer into a 120 VAC, 60 Hz grounded 3-prong outlet.

⚠ WARNING

- Do not use a worn or damaged power cord or power plug. Replace or repair it immediately. Failure to do so may result in death, fire, electric shock, or malfunction.
- Do not modify the power cord and plug provided with the appliance. Do not damage it when installing or moving the appliance. Doing so may result in death, fire, electric shock, or malfunction.
- Make sure that the appliance is grounded.

- Connect this appliance to a grounded outlet conforming to the rating prior to use. Failure to do so may result in fire, electric shock, or malfunction.
- Do not damage or cut off the ground prong of the power cord. Doing so may cause death, fire, electric shock, or product malfunction.
- Improper connection of the equipment-grounding conductor can result in risk of electric shock. Check with a qualified electrician or service technician if you are in doubt as to whether the appliance is properly grounded. If it does not fit the outlet, have a proper outlet installed by a qualified electrician.
- The appliance and outlet must be positioned so that the plug is easily accessible.
- Do not use adapter or extension cords. Doing so may result in serious injury, fire, electric shock, or death.
- For best performance, plug the appliance into its own individual outlet. This helps prevent overloading house wiring circuits which could cause a fire hazard from overheated wires.
- If necessary, use a new, UL-listed 3-prong (grounding) plug rated at no less than the branch circuit. Do not use an extension cord longer than 3 feet. Failure to follow these warnings may result in serious injury, fire, electric shock, or death.

Testing the Washer

Check if the washer is properly installed and run a test cycle.

- 1** Make sure that the tub is empty. Do not load anything in the tub for this test. Make sure that the water faucets for the washer are fully turned on.
- 2** Press the **Power** button.
- 3** Press and hold the **Spin** and **Soil** buttons simultaneously until an **In 5** code appears in the display.
 - **In 5** is displayed first, and **5**, **50**, or **5E** is displayed.
 - **In 5** : Initial test
 - **In 50** : Previous test result was good.
 - **In 5E** : Previous test ended with an error.
 - The indication is different for each model.

- 4** Press the **Start/Pause** button.
 - The test will run for about 3 minutes.
 - The test automatically checks the water inlet hoses and the drain hose.
- 5** Check the display for results.
- 6** At the end of the test cycle, **End** or **0** will display. The washer will shut off automatically after a short delay.

Installation Check Error Codes

Refer to the chart below before calling for service.

Error Code	Solution
I E	<ul style="list-style-type: none"> • Fully open the water faucet. • Straighten out any kinks in the inlet hoses and make sure the hoses are not pinched against the wall or under the washer.
0E	<ul style="list-style-type: none"> • Straighten out any kinks in the drain hose and make sure the hose is not pinched against the wall or under the washer. • Remove and flush out the drain hose to remove clogs. • Adjust or repair the drain. Maximum drain height is 96 inches.

OPERATION

Before Use

WARNING

- To reduce the risk of fire, electric shock, or injury to persons, read the **SAFETY INSTRUCTIONS** before operating this appliance.

Operation Overview

- 1 Sort laundry and load the washer.
 - Sort laundry by fabric type, soil level, color and load size, as needed. Open the lid and load items into the washer.
 - If using single-use detergent packs, or gel or tablet detergents, place them in the tub before loading the laundry.
- 2 Add cleaning products.
 - Add the proper amount of HE (High-Efficiency) detergent to the detergent dispenser.
 - If desired, add bleach or fabric softener to the appropriate dispensers.
 - Do not place liquid or powdered detergent packs, or gel or tablet detergents in the dispenser.
- 3 Turn on the washer.
 - Press the **Power** button to turn on the washer.
 - The lights above the cycle buttons will illuminate and a chime will sound.
- 4 Select a cycle.
 - Turn the cycle selector knob or press the cycle buttons repeatedly until the desired cycle is selected.
 - The preset wash temperature, spin speed, soil level and option settings for the selected cycle are shown.
 - The **Normal** cycle must be selected in order to change its default settings.
 - Pressing the **Start/Pause** button without selecting a cycle immediately starts the **Normal** cycle with the default settings.

- 5 Adjust settings.
 - Default settings for the selected cycle can be changed, if desired, using the cycle modifier and option buttons.
 - Not all modifiers and options are available on all cycles. A different chime sounds and the LED does not light up if the selection is not allowed.

- 6 Begin cycle.
 - Press the **Start/Pause** button to begin the cycle. The lid locks, and the washer agitates briefly without water to measure the weight of the load.
 - If the **Start/Pause** button is not pressed within a certain time, the washer shuts off and all settings are lost.

NOTE

- You must press and hold the **Power** button when turning off the appliance. This helps prevent accidentally turning it off during a cycle.

- 7 If necessary, add additional items to the tub while the **Add Garments** light is on.
 - This light turns on at the beginning of the wash cycle to indicate when it is safe to add items to the tub.
 - Press the **Start/Pause** button to pause the cycle and add items to the tub. Press the **Start/Pause** button to resume the cycle.
 - Adding items after the **Add Garments** light turns off may result in poor wash performance.
- 8 End of cycle.
 - When the cycle is finished, a melody sounds. Immediately remove the clothing from the washer to reduce wrinkling.
 - If the washer includes lint filters, remember to check lint filters after every 2 to 3 loads.

Sorting Laundry

⚠ CAUTION

- The washer can be fully loaded, but the tub should not be tightly packed with items. The lid of the washer should close easily.
- Use the **Bedding** cycle for buoyant or nonabsorbent items such as pillows or comforters. Failure to follow this caution can result in leakage.
- Clothing or articles that are waterproof or water resistant must be washed in the **Waterproof** cycle only. (Examples include water resistant clothing, mattress covers, outdoor clothes, and plastic mats.) Using another cycle may result in personal injury or damage to the washer, clothes, walls, floor, and surrounding objects due to abnormal vibration.

Grouping Similar Items

For the best washing results, and to reduce the possibility of damage to clothing, sort clothing into loads made up of similar items.

Mixing different fabric types and/or soil levels can result in poor wash performance, color transfer, discoloration, fabric damage or linting. Fabrics should be sorted into groups as described below.

Colors

Sort articles by color. Wash dark clothes separately from light colors or whites. Mixing dark clothes with light clothes can result in dye transfer or discoloration of the lighter clothes.

Soil Level

Wash heavily soiled clothing together. Washing lightly soiled clothing in the same load with heavily soiled clothing could result in poor wash performance for the lightly soiled clothing.

Fabric Type

Delicate articles should not be mixed with heavy or sturdy fabric types. Washing heavy fabrics with delicates can result in poor wash performance for the heavy fabrics and possible damage to the delicates.

Lint Type

Some fabrics attract and bind lint to them while others give off lint in the laundry process. Avoid mixing these lint collectors and lint producers in the same load. Mixing these fabrics will result in pilling and linting on the lint collectors. (For










example, lint collector - knit sweater; lint producer - terry cloth towels.)

How to Sort Laundry

By Colors	By Soil	By Fabric	By Lint
White	Heavy	Delicates	Lint Producer
Lights	Normal	Easy Care	Lint Collector
Darks	Light	Sturdy	

Fabric Care Labels

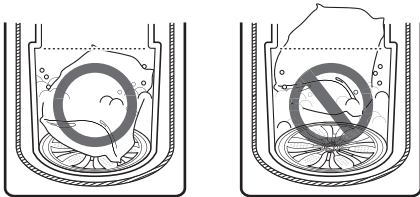
Many articles of clothing include a fabric care label. Using the chart below, adjust the cycle and option selections to care for your clothing according to the manufacturer's recommendations.

Category	Label	Directions
Washing		Hand wash
		Machine wash, Normal cycle
		Perm Press/Wrinkle Resistant setting (which has a cool down or cold spray before the slower spin)
		Gentle/Delicate setting (slow agitation and/or reduced wash time)
		Do not wash
		Do not wring
Water Temperature	...	Hot
	..	Warm
	.	Cold/Cool
Bleach Symbols		Any bleach (when needed)
		Only non-chlorine bleach (when needed)
		Do not bleach

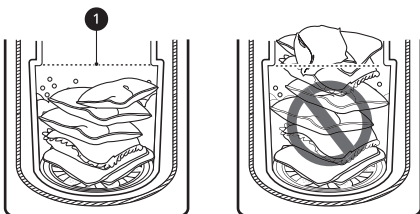
Loading the Washer

General Tips

- Check and empty pockets. Paper clips, coins, matches, and other items can damage clothing and the washer.
- Close zippers and hooks, and tie drawstrings to prevent snagging or tangling of clothes.
- Pretreat heavily stained areas for best results.
- Brush off heavy soil, dust, and hair from items before washing. Excess dirt or sand can abrade other fabrics and lead to poor wash performance.
- Combine large and small items in the tub. Load large items first. Large items should not be more than half of total load.
- For best results, load dry items only. If washing very wet items, wring out excess water before loading, or run a **Spin Only** cycle to extract excess water before adding detergent and starting the desired cycle.
- The washer can be fully loaded, but the tub should not be tightly packed with items. The lid of the washer must close easily.



- The washer will not fill or operate with the lid open.
- Do not overload the tub. Clothes should fit loosely in the tub under the maximum fill line **1**. Loading clothes over the fill line may result in damage to clothing and the washer.
 - Do not press down on items while stacking them in the tub.
 - Load clothes loosely, and do not overfill the tub. Clothes need room to circulate in order to get clean.



Bulky Items

- Do not wash entire pillows or cushions. Remove pillow or cushion inserts and wash the covers only.
- Use the **Bedding** cycle for large or bulky items such as poly-filled jackets, comforters, pillows, etc. These items may not be as absorbent as other laundry items and should be sorted into a separate wash load for best performance.
- Bulky items should be placed as far down in the tub as possible for best performance. Always place buoyant items at the bottom of the tub. The washer will automatically detect the load size. Because of the high efficiency wash system, the water level may not completely cover the load.

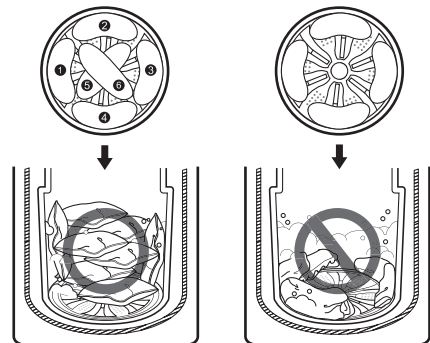
Small Items

- Do not wash a single small item. Add enough similar items to the load to prevent an out-of-balance load.
- Wash small, light items in a mesh bag. Small items can get caught in the impeller at the bottom of the tub, and brassiere hooks can damage other items or the tub.

General Tips for Models with an Impeller

If the appliance uses a low profile rotating hub in the drum, follow these instructions when loading the washer.

- For best performance, load clothes as shown.



- Wash thick, bulky items individually. Heavy blankets, comforters, bedspreads, or pet beds can get tangled or cause an unbalanced load if combined with other items.

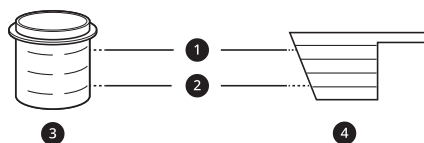
Adding Cleaning Products

About Detergent Use

This washer is designed for use with only HE (High-Efficiency) detergents.



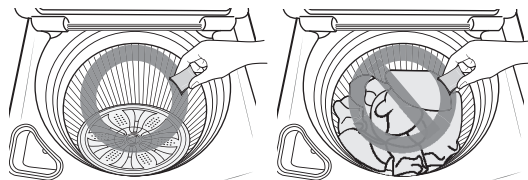
- HE detergents produce fewer suds, dissolve more efficiently to improve washing and rinsing performance, and help to keep the interior of the washer clean. Using detergent that is not HE may cause oversudsing and unsatisfactory performance which could result in error codes, cycle failure, and washer damage.
- Detergents designated as HE-compatible may not provide optimal results.
- For proper wash performance, always measure detergent using the measuring device provided by the detergent manufacturer. For an average load, use less than half of the recommended maximum. Use less detergent for soft water, light soil, or smaller loads.
- Use extra care when measuring 2X and 3X concentrated detergents because even a small amount of extra detergent can lead to problems.
- Never use more than the maximum amount of detergent recommended by the manufacturer. Using too much detergent can lead to oversudsing, poor rinsing, detergent buildup in clothing, and residue buildup that can contribute to odors in the washer.
- Do not use more than one single-use detergent pack or detergent tablet in the washer. Using too much detergent may cause oversudsing and unsatisfactory performance. Reduce detergent amount or add an extra rinse if detergent residue is left on fabrics. To add an extra rinse, select the **Extra Rinse** option.



- 1 Maximum fill line
- 2 Average load fill line
- 3 Liquid detergent
- 4 Powdered detergent

Single-Use Detergent Packs / Gel or Tablet Detergents

Place liquid or powdered detergent packs, or gel or tablet detergents in the tub before loading laundry. Do not place these detergents in the dispenser.



About the Dispensers

The automatic dispenser consists of two compartments which hold:

- Liquid fabric softener
- Liquid or powdered detergent for main wash

⚠ CAUTION

- Do not place or store laundry products, such as detergent, bleach, or liquid fabric softener, on top of your washer. These products can damage the washer's finish and controls.

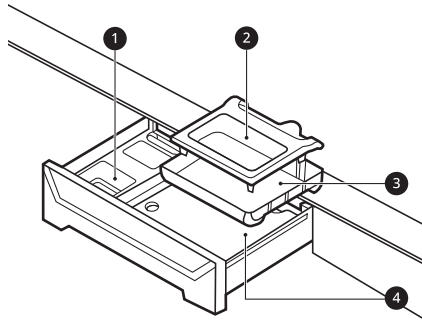
NOTE

- Follow the manufacturer's recommendations when adding cleaning products.

Using the Detergent and Softener Dispenser Drawer

To add detergent and fabric softener to the automatic dispenser drawer:

- 1 Open the dispenser drawer.
- 2 Load the laundry products into the appropriate compartments.



- ❶ Liquid fabric softener compartment
- ❷ Main wash liquid detergent cup
- ❸ Insert
- ❹ Main wash powdered detergent compartment

- 3** Gently close the detergent dispenser drawer before starting the cycle.
- Slamming the drawer closed may result in the detergent overflowing into another compartment or dispensing into the drum earlier than programmed.
 - Be careful not to get a hand caught in the drawer while closing.
 - It is normal for a small amount of water to remain in the dispenser compartments at the end of the cycle.

Main Wash Detergent Compartment

This compartment holds laundry detergent for the main wash cycle. Either powdered or liquid detergent may be used in this compartment.

- The detergent is added to the load at the beginning of the cycle. Always use HE (High-Efficiency) detergent with your washer.
- Do not exceed the maximum fill line. Using too much detergent can result in detergent buildup in clothing and the washer.
- Liquid or powdered color-safe bleach may be added to the main wash compartment with detergent of the same type. Do not mix liquids and powders.
- When using liquid detergent, make sure the liquid detergent cup and insert are in place.
- When using powdered detergent, remove the insert and liquid detergent cup from the dispenser. Powdered detergent will not dispense with the liquid detergent cup and insert in place.

- If you use a detergent that does not dissolve easily or a detergent with high viscosity, it will leave a residue and clog the dispenser.

Fabric Softener Compartment

This compartment holds liquid fabric softener, which is automatically dispensed during the final rinse cycle.

- Do not exceed the maximum fill line. Using too much fabric softener may stain clothes.
- Dilute concentrated fabric softeners with warm water.
- Never pour fabric softener directly onto the load or into the tub.

Using the Liquid Bleach Dispenser

The bleach dispenser is a separate compartment at the left front of the tub opening.

⚠ WARNING

- Do not mix chlorine bleach with ammonia or acids such as vinegar or rust/scale remover. Mixing chemicals like these can produce a lethal gas, resulting in severe injury or death.

NOTE

- Do not add powdered bleach to this dispenser. The bleach dispenser is designed to dispense liquid bleach only. Powdered or liquid color-safe bleach will not dispense properly.
- Do not place laundry items on top of the bleach dispenser when loading and unloading the washer.
- Never add more than **one cup** of bleach and do not exceed the maximum fill line since this can cause the bleach to be dispensed immediately. Using too much bleach can damage fabrics.
- Never pour undiluted liquid chlorine bleach directly onto the load or into the tub. Fabric damage can occur.
- Do not use color-safe bleach or Oxi products in the same cycle with liquid chlorine bleach.

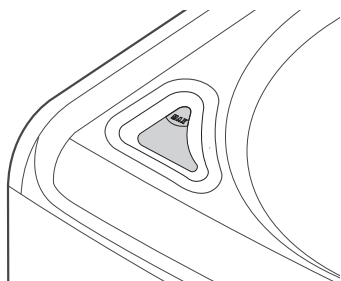
- 1** Check clothing care labels for special instructions.
- 2** Measure liquid bleach carefully, following the instructions on the bottle.
 - HE (High-Efficiency) washers use less water, so less bleach is needed. **One half cup** is enough for most loads.

- 3** Carefully pour the pre-measured amount of bleach directly into the bleach dispenser.
- If you are using powdered bleach of any kind, pour it directly into the tub before adding the laundry.
 - Never add powdered bleach to the liquid bleach dispenser.

Automatic Bleach Dispenser

On some models, the bleach dispenser is connected to the inlet valve. The bleach is automatically diluted and dispensed at the proper time in the wash cycle.

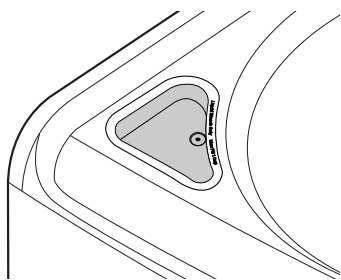
- The dispenser is activated twice to ensure complete dispensing of the bleach. Any liquid remaining in the dispenser at the end of the cycle is water, not bleach.



Immediate Bleach Dispenser

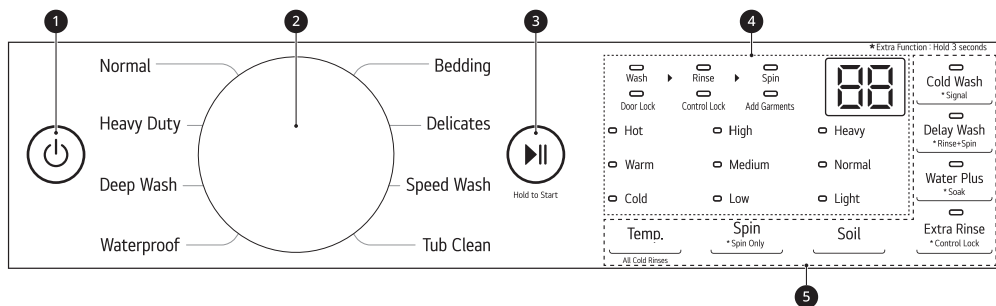
On some models, when you pour the bleach into the bleach dispenser, the bleach is immediately added to the tub as it fills with water, safely diluting the bleach.

- The dispenser cover cannot be removed. To clean the cover, wipe it with a damp paper towel.



Control Panel

Control Panel Features



1 Power On/Off Button

- Press this button to turn the washer on or off.
- Pressing this button during a cycle will cancel that cycle and any load settings will be lost.
- The door will unlock after a brief pause.

NOTE

- If there is any water remaining in the drum after the washer shuts off, it will drain after a delay. The washer can be restarted at any time before the drain begins. However, once the water begins to drain, all functions will be suspended until the water has been completely drained and the washer shuts off.

2 Cycle Selector Knob

- Turn this knob to select the desired cycle.
- Once the desired cycle has been selected, the standard presets will appear in the display. These settings can be adjusted using the **Cycle Modifier** buttons at any time before starting the cycle.

3 Start/Pause Button

- Press this button to start the selected cycle.
- If the washer is running, use this button to pause the cycle without losing the current settings.

NOTE

- If the **Start/Pause** button is not pressed to start the selected cycle, after a delay the washer automatically turns off and all cycle settings are lost. Any water remaining in the drum will be drained.

4 Time and Status Display

- The display shows the settings, estimated time remaining, options, and status messages for the washer.

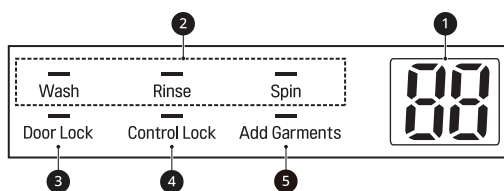
5 Cycle Modifier Buttons

- Use these buttons to adjust the wash temperature, spin speed and soil level settings for the selected cycle.
- The current settings are shown in the display.
- Press the button for that option to select other settings.

6 Option and Extra Function Buttons

- These buttons allow you to select additional cycle options. Certain buttons also allow you to activate special functions by pressing and holding the button for **3 seconds**.

Time and Status Display



1 Estimated Time Remaining

- When a cycle is selected, the default time for that cycle is displayed. This time will change as modifiers or options are selected.
- If the display shows --, then the time will be displayed after the load sensing has detected the load size.
- The time shown is only an estimate. This time is based on normal operating conditions. Several external factors (load size, room temperature, incoming water temperature, etc.) can affect the actual time.

NOTE

- Once the **Start/Pause** button is pressed, the washer will measure the size of the load. The estimated time may change once the load size has been measured.
- If the **Delay Wash** function is set, the remaining delay time counts down until the cycle begins.

2 Cycle Status Indicators

- These LEDs will blink when a cycle is selected to indicate which stages will run.
- When a cycle is running, the LED for the active stage will blink, and the LEDs for the remaining stages will remain steady. Once a stage is complete, the LED will turn off. If a cycle is paused, the active stage LED will stop blinking.

NOTE

- Once the **Start/Pause** button is pressed, the washer will measure the size of the load. The estimated time may change once the load size has been measured.
- If the **Delay Wash** function is set, the remaining delay time counts down until the cycle begins.

3 Door Lock Indicator

- This indicator lights up when the cycle starts and the door is locked.
- The indicator light stays on until the cycle is paused, stopped or has finished.

4 Control Lock Indicator

- This indicator lights up when the control panel is locked.
- [L] and the remaining wash time are displayed, in turn, on the time remaining display.
- When this function is set, all controls are disabled except for the **Power** button.

5 Add Garment Indicator

- Laundry may only be added to the tub at the proper time in the wash cycle. When this indicator lights up, it is safe to pause the cycle and add more items to the tub.
- If garments are added when this indicator turns off, the washer will not adjust for these items which could result in poor performance and/or fabric damage.

Wash Cycles

The wash cycles are designed for specific types of wash loads. Select the cycle that best matches the load contents for maximum wash performance and fabric care.

See the **Sorting Laundry** section for best results, and follow the fabric care labels on your garments. For a guide to fabric care symbols, see the **Sorting Laundry** section.

Cycle Guide

Turn the knob or press the button to select the desired cycle. When you select a wash cycle, the light for the corresponding wash cycle will turn on.

NOTE

- Whenever load weights are mentioned, assume 1 lb (0.45 kg) = 1 thick bath towel (dry).

Cycle	Normal	
Description	Use to wash all normal items such as cotton, linen, shirts, jeans or mixed loads, except delicate fabrics such as wool or silk. <ul style="list-style-type: none"> • Pressing the Start/Pause button without selecting a cycle will cause the Normal cycle to begin immediately, using the default settings. 	
Wash Temp.	Default: Warm	Available: All
Spin Speed	Default: High	Available: High, Medium
Soil Level	Default: Normal	Available: All

Cycle	Heavy Duty	
Description	Suitable for washing heavily soiled laundry, such as cotton fabrics, using more powerful wash motions. <ul style="list-style-type: none"> • When washing large loads, there will be brief periods of 2 minutes or more without agitation. These soak periods are part of the cycle's design, and are normal. 	
Wash Temp.	Default: Warm	Available: All
Spin Speed	Default: High	Available: All
Soil Level	Default: Heavy	Available: All

Cycle	Deep Wash	
Description	Provides additional water and washes heavily soiled mixed items, except delicate fabrics.	
Wash Temp.	Default: Warm	Available: All
Spin Speed	Default: Medium	Available: All
Soil Level	Default: Normal	Available: All

Cycle	Waterproof	
Description	Suitable for washing waterproof items such as water resistant clothing, mattress covers, outdoor clothes, and plastic mats. (less than 14 lb)	
	<p>NOTE</p> <ul style="list-style-type: none"> • Do not use any other wash cycle to wash waterproof items. • Do not use this cycle to wash a mixed load of waterproof and non-waterproof items. • Check the fabric care label on the garments before using this cycle. • Do not wash other fabrics using this cycle. 	
Wash Temp.	Default: Warm	Available: Warm, Cold
Spin Speed	Default: Medium	Available: Medium, Low
Soil Level	Default: Light	Available: All

Cycle	Bedding	
Description	Suitable for washing blankets or bulky items which have difficulty absorbing water, such as pillows, blankets, comforters, sheets or pet bedding.	
	<ul style="list-style-type: none"> • Do not use this cycle to wash a mixed load of bedding and non-bedding items. • Do not mix large/bulky items with smaller articles of clothing. • Do not wash excessively large items. If large/bulky items do not fit easily into the tub, there may not be enough room for them to move during washing. 	
Wash Temp.	Default: Warm	Available: All
Spin Speed	Default: Medium	Available: All
Soil Level	Default: Normal	Available: All

Cycle	Delicates	
Description	Suitable for washing dress shirts/blouses, nylons, lingerie, or sheer and lacy clothes which can easily be damaged. (less than 8 lb)	
Wash Temp.	Default: Cold	Available: Warm, Cold
Spin Speed	Default: Medium	Available: Medium, Low
Soil Level	Default: Light	Available: All

Cycle	Speed Wash	
Description	Use this option to quickly wash lightly soiled clothing and small loads. For high wash and rinse efficiency, wash small loads of 2-3 lightly soiled garments.	
	<ul style="list-style-type: none"> • Use very little detergent in this cycle. To add an extra rinse, use the Extra Rinse button. 	
Wash Temp.	Default: Warm	Available: Warm, Cold
Spin Speed	Default: High	Available: All
Soil Level	Default: Light	Available: All

Cycle	Tub Clean
Description	This is a special cycle designed to clean the inside of the washer.

Available Options

NOTE

- The **Delay Wash** can be selected for every cycle in this table.

Cycle	Cold Wash	Extra Rinse	Water Plus	Soak
Normal	●	●	●	●
Heavy Duty		●	●	●
Deep Wash		●	●	●
Waterproof		●	●	
Bedding	●	●		●
Delicates		●	●	●
Speed Wash		●	●	●

Cycle Modifiers

About Modifier Buttons

Each cycle has default settings that are selected automatically. You may also customize these settings using the cycle modifier buttons.

- Repeatedly press the button for the desired modifier until the indicator light for the desired setting is lit.
- The washer automatically adjusts the water level for the type and size of wash load for best results and maximum efficiency.
- This is a high-efficiency washer, and the water levels may be much lower than you expect. This is normal, and cleaning/rinsing performance will not be compromised.

■ Hot	■ High	■ Heavy
■ Warm	■ Medium	■ Normal
■ Cold	■ Low	■ Light
Temp.	Spin	Soil

NOTE

- The LED next to the setting lights up when the setting is selected.
- To protect your garments, not every wash temperature, spin speed, soil level, or option is available with every cycle.
- A chime will sound twice and the LED will not light if the desired setting is not allowed for the selected cycle.
- Follow the fabric care labels on the garment for best results.

Temp.

Make sure the water temperature is suitable for the type of load you are washing.

- Press the **Temp.** button repeatedly to select the wash and rinse temperature combination for the selected cycle.
- All rinses use unheated cold water.
- Cold rinses use less energy. The actual cold rinse temperature depends on the temperature of the cold water at the faucet.

Spin

Higher spin speeds extract more water from clothes, reducing drying time and saving energy.

- Press the **Spin** button repeatedly until the desired speed is selected.
- Some fabrics, such as delicates, require a slower spin speed. To protect your clothing, not all spin speeds are available for all cycles.

Soil

Adjusting the soil level setting will modify the cycle times and/or wash actions.

- Press the **Soil** button repeatedly until the desired soil level is selected.
- The **Heavy** soil setting may increase cycle times. The **Light** soil setting may decrease cycle times.

Options and Extra Functions

Your washer includes several additional cycle options to customize cycles to meet your individual needs.

- Select the desired option after selecting the desired cycle and settings.

NOTE

- The LED for the option will light when the option is selected.
- To protect your garments, not every option is available with every cycle.
- A chime will sound twice and the LED will not light if the selected option is not allowed for the selected cycle.

Spin Only

Use this option to spin clothes and drain the water from the tub.

- Use this option to drain water if the wash cycle is interrupted by a power failure or to spin dry hand-washed items.

- 1 Press the **Power** button to turn on the washer.
 - Do not select a cycle.
- 2 Press and hold the **Spin** button for 3 seconds.
 - You can change the spin speed by pressing the **Spin** button.
- 3 Press the **Start/Pause** button to begin.

Cold Wash

Use this option to save energy by using cooler water while increasing the wash and rinse times to maintain wash performance.

- Wash time will increase up to several minutes with this option.
- Selecting this option increases the water supplied during rinsing. The water supplied during washing is not increased.
- For best wash results, only wash small loads (less than 8 lb) with this option.

Signal

The washer plays a melody when the wash cycle is finished. The buttons make a sound each time they are pressed.

- Press and hold the **Cold Wash** button for 3 seconds to turn the sounds on or off.
- When no signal is heard, the signal is off.

Delay Wash

Once you have selected the cycle and other settings, press this button to delay the start of the wash cycle.

- Each press of the button increases the delay time by 1 hour, for up to 19 hours.
- Once the desired delay time is set, press the **Start/Pause** button to start the delay time.

NOTE

- If the **Start/Pause** button is not pressed to begin the delay time, the washer automatically turns off after a certain time and all cycle settings are lost.

Rinse+Spin

Select this option to rinse and spin a load separately from a regular cycle. This can be helpful in preventing fresh stains from setting in fabrics.

- 1 Press the **Power** button to turn on the washer.
 - Do not select a cycle.
- 2 Press and hold the **Delay Wash** button for 3 seconds.
 - You can change the spin speed by pressing the **Spin** button.

- 3 Press the **Start/Pause** button to begin.

Water Plus

Use this option to add extra water to the wash cycle for better wash performance with large or bulky items.

NOTE

- If the washer reaches its maximum water level, this button will have no effect.
- To add more water while a cycle is running, pause the cycle and select this option.
- When you select **Normal** cycle and **Water Plus** option, the cycle will be changed to **Deep Wash** cycle before starting.

Soak

This option provides a 30-minute presoak prior to the start of the selected cycle. Use this option to presoak garments to help remove difficult spots or stains on fabrics. At the end of the presoak time, the selected cycle will begin with the same water used for soaking.

- Press and hold the **Water Plus** button for 3 seconds to activate or deactivate this option.

Extra Rinse

This option adds an extra rinse to the selected cycle. Use this option to help ensure the removal of detergent or bleach residue from fabrics.

- Pressing the **Extra Rinse** button twice will add two additional rinses to the cycle.
- If a liquid fabric softener is used, it is always dispensed in the final rinse.

NOTE

- You cannot select this option with the **Spin Only** option and **Tub Clean** cycle.
- Selecting the **Extra Rinse** option with the **Normal** cycle automatically changes the cycle to the **Deep Wash** cycle.

Control Lock

Use this function to disable the controls. This function can prevent children from changing cycles or operating this washer.

NOTE

- The function does not lock the door.
- Once this function is set, all buttons are locked except the **Power** button.
- When the controls are locked, \square and the remaining time are alternately shown on the display during the wash cycle.
- Turning off the power will not reset this function. You must deactivate this function before you can access any other options and functions.

Locking the Control Panel

- 1 Turn on the power.
- 2 Press and hold the **Extra Rinse** button for 3 seconds to activate this function.

Unlocking the Control Panel

- 1 Turn on the power.
- 2 Press and hold the **Extra Rinse** button for 3 seconds to deactivate this function.
 - When this function is deactivated, a chime will sound and the remaining time for the current cycle will reappear on the display.

Add Garments

If you've forgotten to add an item or need to remove foreign objects like coins or keys after the cycle has started, the best time to do so is while the **Add Garments** indicator is on.

- Once the indicator turns off, adding garments may affect the cycle time or wash performance.

- 1 Press the **Start/Pause** button. The cycle pauses and the lid (door) unlocks.
- 2 Open the lid, add garments or remove foreign objects, and close the lid.
- 3 Press the **Start/Pause** button to resume the cycle. The cycle continues automatically.

NOTE

- This washer is equipped with a special drain feature that is designed to make your washer as safe as possible. If the washer is paused or shut

off while there is still water in the tub, the water will drain automatically after several minutes of inactivity. This helps keep children safe by reducing the possibility of water remaining in the tub.

Any water remaining in the tub will automatically drain 4 minutes after the washer has shut off. If the washer is paused and the **Start/Pause** button is not pressed within 60 minutes, the washer will shut off and all cycle settings will be lost. Any water remaining in the tub will be drained.

The washer can be turned on or restarted any time before the drain begins. However, once the washer begins to drain, all controls and functions will be disabled until the water has been completely drained and the washer shuts off.

SMART FUNCTIONS

LG ThinQ Application

The **LG ThinQ** application allows you to communicate with the appliance using a smartphone.

LG ThinQ Application Features



Smart Diagnosis

This function provides useful information for diagnosing and solving issues with the appliance based on the pattern of use.

Installing the LG ThinQ Application

Search for the **LG ThinQ** application from the Google Play Store or Apple App Store on a smartphone. Follow instructions to download and install the application.

Smart Diagnosis™ Function

This feature is only available on models with the  or  logo.

Use this feature to help you diagnose and solve problems with your appliance.

NOTE



- For reasons not attributable to LGE's negligence, the service may not operate due to external factors such as, but not limited to, Wi-Fi unavailability, Wi-Fi disconnection, local app store policy, or app unavailability.
- The feature may be subject to change without prior notice and may have a different form depending on where you are located.

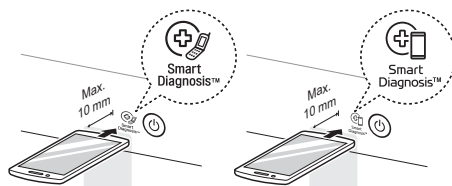
Using Audible Diagnosis to Diagnose Issues

Follow the instructions below to use the audible diagnosis method.

- Launch the **LG ThinQ** application and select the **Smart Diagnosis™** feature in the menu. Follow the instructions for audible diagnosis provided in the **LG ThinQ** application.

- 1 Press the **Power** button to turn on the appliance.
 - Do not press any other buttons.

- 2 Hold the mouthpiece of your phone in front of the  or  logo.



- 3 Press and hold the **Temp.** button for 3 seconds or longer while continuing to hold your phone near the logo.
- 4 Keep the phone in place until the tone transmission has finished. The display will count down the time. Once the countdown is over and the tones have stopped, the diagnosis will be displayed in the application.

NOTE

- For best results, do not move the phone while the tones are being transmitted.

MAINTENANCE

WARNING

- To reduce the risk of fire, electric shock, or injury to persons, read this entire owner’s manual, including the **SAFETY INSTRUCTIONS**, before operating this appliance.
- Unplug the appliance before cleaning to avoid the risk of electric shock. Failure to follow this warning can cause serious injury, fire, electric shock, or death.
- Do not use volatile substances (benzene, paint thinner, alcohol, acetone, etc.), abrasive cleaners, or detergents with strong chemical components when cleaning the appliance. Doing so may cause discoloration or damage to the appliance, or may cause a fire.
- Certain internal parts are intentionally not grounded and may present a risk of electric shock only during servicing. Service personnel - Do not contact the following parts while the appliance is energized: pump, motor, noise filter cover, and heater (on applicable models).

Regular Cleaning

Care after Wash

After the cycle is finished, wipe the lid and the inside of the lid seal to remove any moisture.

- Wipe the body of the washer with a dry cloth to remove any moisture.
- Leave the lid open to dry the tub interior.

NOTE

- Make sure children and pets do not climb into the tub. Engage the **Control Lock** feature if needed to prevent children from accidentally starting a wash cycle.

Cleaning the Exterior

Proper care of your washer can extend its life.

Lid:

- Wash with a damp cloth on the outside and inside and then dry with a soft cloth.

Exterior:

- Immediately wipe off any spills.
- Wipe with a damp cloth.
- Do not touch the surface or the display with sharp objects.

Periodic Maintenance

- Use a towel or soft cloth to wipe around the washer lid opening and lid glass.

- Always remove items from the washer as soon as the cycle is complete. Leaving damp items in the washer can cause wrinkling, color transfer, and odor.
- Run the **Tub Clean** cycle once a month, or more often if needed, to remove detergent buildup and other residue.

Cleaning the Tub

Over time, residue may build up in the tub, leading to mildew or a musty odor. Run the **Tub Clean** cycle **monthly** to remove residue and prevent odor.

NOTE

- Make sure to run the **Tub Clean** cycle only when the tub is empty. Never load laundry while using this cycle. The laundry may be damaged or contaminated with cleaning products.
- Run the cycle more often under heavy use conditions or if odor is already present.
- If mildew or musty smell already exists, run this cycle once a week for three consecutive weeks.

1 Remove any clothing from the tub.

2 Adding cleaning agents.

Cleaner	Instructions
Tub cleaner	Follow manufacturer’s recommendations.
Lime scale remover	
Liquid chlorine bleach	Add to main wash liquid detergent dispenser.

Cleaner	Instructions
Powdered cleaner	Follow manufacturer's recommendations.
Cleaning tablets	Place directly into the washer tub.

- For other tub cleaning products, follow the cleaner manufacturer's instructions and recommendations.
 - Do not exceed the maximum fill line when adding bleach or powdered cleaners. Powdered cleaners may remain in the tub after cleaning.
- 3 Close the lid and press the **Power** button to turn on the washer.
 - 4 Turn the knob or press the cycle buttons to select the **Tub Clean** cycle then press the **Start/Pause** button to begin the cycle.
 - 5 After the cycle ends, open the lid and allow the tub interior to dry completely.

⚠ WARNING

- Make sure children and pets do not climb into the tub. Engage the **Control Lock** feature if needed to prevent children from accidentally starting a wash cycle.

NOTE

- If you use a descaler or tub cleaner during the **Tub Clean** cycle, use the **Rinse+Spin** option to rinse the washer tub before running your next wash cycle.

Removing Mineral Buildup

In areas with hard water, mineral scale can form on internal components of the washer. Periodically clean the mineral buildup on the internal components to extend the lifespan of the washer. Use of a water softener is recommended in areas with hard water.

- Use a descaler to remove visible mineral buildup on the washer tub.
- After descaling, always run the **Tub Clean** cycle before washing clothing.

- Mineral scale and other spots may be removed from the stainless steel tub using a soft cloth soaked in stainless steel cleaner.
- Do not use steel wool or abrasive cleaners.

Leaving the Lid Open

After you finish using the washer, leave the lid open overnight to allow air to circulate and dry the tub. This helps prevent odors.

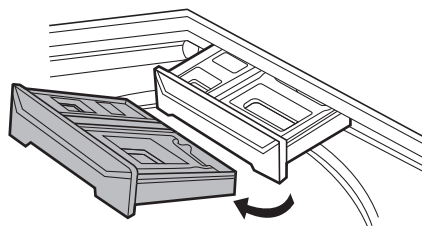
Cleaning the Dispenser Drawer

Detergent and fabric softener may build up in the dispenser drawer. Remove the drawer and inserts and check for buildup **once or twice a month**.

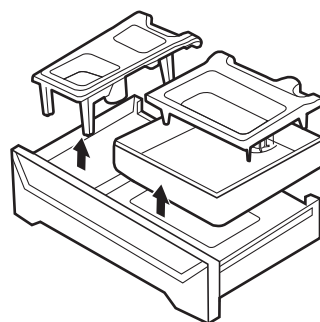
⚠ WARNING

- Do not spray water inside the washer. Doing so may cause fire or electric shock.

- 1 Turn off the washer, and unplug the power cord.
- 2 Remove the drawer by pulling it straight out until it stops. Lift the front of the drawer upwards and pull it completely out.



- 3 Remove the inserts from the two compartments.



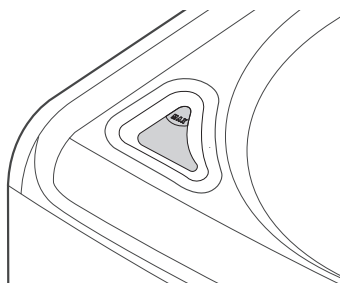
- 4** Clean the inserts and drawer with warm water.
 - Use a soft cloth or brush to clean and remove any residue.
 - Do not use soap when cleaning the drawer and inserts.
- 5** Wipe off any moisture with a dry towel or cloth after cleaning.
- 6** To clean the drawer opening, use a small, non-metal brush to clean the recess. Remove all residue from the upper and lower parts of the recess.
- 7** Return the inserts to the proper compartments and replace the drawer.
 - Set the drawer into the opening at an angle, then lower it and slide it into place.

Cleaning the Bleach Dispenser

Bleach may build up on the bleach dispenser cover. Check for buildup and clean the cover **once or twice a month**.

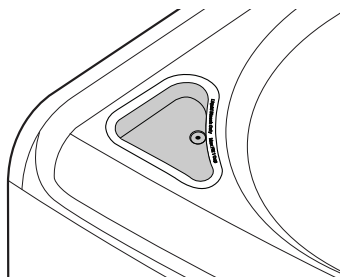
Automatic Bleach Dispenser

Remove the cover from the bleach dispenser. Clean the cover and the opening with warm water.



Immediate Bleach Dispenser

The cover cannot be separated from the dispenser. Clean the cover using a brush and warm water.



Cleaning the Water Inlet Filters

If the washer does not fill properly, an error message will appear on the display. The inlet valve filter screens could be clogged by hard water scale, sediment in the water supply, or other debris.

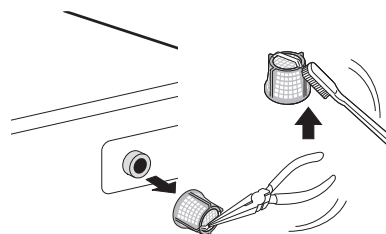
⚠ WARNING

- The inlet screens protect the delicate parts of the inlet valve from being damaged by particles that could enter the valves with the water supply. Operating the washer with these filters removed could cause a valve to open continuously, resulting in flooding and/or property damage.

⚠ CAUTION

- Do not use the washer without the inlet filters. Doing so it will cause leaks and malfunction.
- If you use the washer in an area with hard water, the inlet filter may clog due to lime buildup and require more frequent cleaning.

- 1** Turn off the washer, and unplug the power cord.
- 2** Turn off hot and cold water faucets.
- 3** Unscrew the hot and cold water hoses from the back of the washer.
- 4** Remove the filters from the water valves carefully.
 - Use pliers to pull out the filters from the water valves.



- 5** Remove foreign objects and soak the filters in white vinegar or a lime scale remover.
 - If using a lime scale remover, follow the manufacturer's instructions. Be careful not to damage the filters while cleaning them.
- 6** Rinse filters thoroughly and press them back into place.

- 7** Flush then reattach the water hoses.
- Before reattaching the water inlet hoses, flush them by running several gallons of water through them into a bucket or drain, preferably with the faucets wide open for maximum flow.

NOTE

- An I E error message may blink on the display when the water pressure is low or an inlet filter is clogged with dirt. Clean the inlet filter.
-

Care in Cold Climates

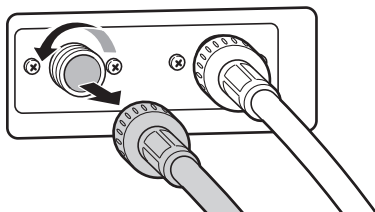
Storing the Washer

If the washer will not be used for an extended period of time and is in an area that could be exposed to freezing temperatures, follow these steps to protect the washer from damage.

NOTE

- Make sure the tub is empty before following these steps.

- 1** Turn off the washer, and unplug the power cord.
- 2** Turn off the water faucets.
- 3** Disconnect hoses from water supply and drain water from hoses.



- 4** Plug the power cord into a properly grounded electrical outlet.
- 5** Add 1 gallon of nontoxic recreational vehicle (RV) antifreeze to the empty tub and close the lid.
 - Never use automotive antifreeze.

- 6** Turn on the washer and select the **Spin** cycle.
- 7** Press the **Start/Pause** button to start the drain pump for **1 minute**.
 - This will expel some of the antifreeze, leaving enough to protect the washer from damage.
- 8** Turn off the washer and unplug the power cord.
- 9** Dry the tub interior with a soft cloth, and close the lid.
- 10** Store the washer in an upright position.
- 11** Remove the inserts from the dispenser. Drain any water in the compartments and let them dry.
- 12** To remove the antifreeze from the washer after storage, run a **Speed Wash** cycle using detergent.
 - Do not add laundry to this cycle.

When the Water Inlet Hoses are Frozen

- 1** Turn off the washer, and unplug the power cord.
- 2** Turn off the faucets connected to the water inlet hoses.
- 3** Pour hot water on the frozen faucets to thaw the water inlet hoses and remove the water inlet hoses.
- 4** Immerse the water inlet hoses in hot water to thaw them.
- 5** Reconnect the water inlet hoses to the water inlets of the washer and to the faucets.
 - See **Connecting the Water Inlet Hoses** for details.
- 6** Turn on the faucets.

- 7 Press the **Power** button to turn on the washer.
- 8 Press and hold the **Spin** button for 3 seconds to operate **Spin Only** cycle for draining and spinning.
- 9 Press the **Start/Pause** button and check that the water fills properly.

When the Drain Hose is Frozen

- 1 Pour hot water in the washer tub and close the lid.
- 2 Wait for 1 - 2 hours.
- 3 Press the **Power** button to turn on the washer.
- 4 Press and hold the **Spin** button for 3 seconds to operate **Spin Only** cycle for draining and spinning.
- 5 Press the **Start/Pause** button to make sure the water drains.

TROUBLESHOOTING

The washer is equipped with an automatic error-monitoring system to detect and diagnose problems at an early stage. If the washer does not function properly or does not function at all, check the following before you call for service.

Before Calling for Service

Error Messages

Problem	Possible Cause & Solution
UE UNBALANCE ERROR	<p>The load is too small.</p> <ul style="list-style-type: none"> • Add additional items to allow the washer to balance the load. <p>Heavy articles are mixed with lighter items.</p> <ul style="list-style-type: none"> • Always try to wash articles of somewhat similar weight to allow the washer to evenly distribute the weight of the load for spinning. <p>The load is out of balance.</p> <ul style="list-style-type: none"> • Manually redistribute the load if articles have become tangled, preventing the automatic rebalancing from working properly.
IE INLET ERROR	<p>Water supply faucets are not fully open.</p> <ul style="list-style-type: none"> • Make sure that the water faucets are fully open. <p>Water inlet hoses are kinked, pinched, or crushed.</p> <ul style="list-style-type: none"> • Make sure that the hoses are not kinked, pinched or crushed behind or under the washer. Be careful when moving the washer during cleaning or maintenance. <p>Water inlet filters are clogged.</p> <ul style="list-style-type: none"> • Clean the inlet filters. See MAINTENANCE. <p>Water supply pressure to faucet or house is too low.</p> <ul style="list-style-type: none"> • Check another faucet in the house to make sure that household water pressure is adequate and flow is not restricted. • Disconnect the water inlet hoses from the washer and run a few gallons of water through the hoses to flush out any dirt. • If flow is too low, contact a plumber to have the water supply lines repaired. <p>Water supply connected with leak-limiting hoses.</p> <ul style="list-style-type: none"> • The use of hoses designed to limit leaks is not recommended. Leak-limiting hoses can trip falsely and prevent the washer from filling.
OE WATER OUTLET ERROR	<p>Drain hose is kinked, pinched, or clogged.</p> <ul style="list-style-type: none"> • Make sure that the drain hose is free of clogs or kinks and is not pinched behind or under the washer. <p>The end of the drain hose is more than 96 inches (2.4 m) above the bottom of the washer.</p> <ul style="list-style-type: none"> • Move the end of the drain hose so that it is lower than 96 inches (2.4 m).
CL CONTROL LOCK FUNCTION	<p>The control lock function is on to prevent anyone from changing cycles or operating the washer.</p> <ul style="list-style-type: none"> • Turn off the control lock function in the control panel. See Control Lock under Options and Extra Functions.

Problem	Possible Cause & Solution
d_r DRAIN FEATURE	Special drain feature <ul style="list-style-type: none"> If the washer is paused during a cycle for more than 4 minutes, the cycle will be canceled and any water remaining in the tub will be drained. This is not an error code. It indicates that the drain function is operating.
d_E LID ERROR	Lid is not closed properly. <ul style="list-style-type: none"> Close the lid properly. If the lid is closed and this error message is still displayed, call for service.
d_L LID LOCK ERROR	Lid is not locked properly. <ul style="list-style-type: none"> Make sure that the lid is closed properly and press the Start/Pause button. You can hear the locking sound to lock the lid in the beginning of the cycle. The washer will not operate unless the lid is locked. Make sure that nothing is caught under the lid, including shipping material or clothing. Make sure that the latch mechanism is fully retracted. Make sure that the latch mechanism is fully retracted. If the lid is closed and this error message is still displayed, call for service.
LE I FOREIGN OBJECT ERROR	Foreign objects such as coins, pins, clips, etc., are caught between the pulsator and the inner tub. <ul style="list-style-type: none"> Turn the washer off then on again. Press the Spin button without selecting a cycle to drain and spin the load. When the Spin cycle is completed, empty the tub and find and remove any objects caught in the pulsator. Always check pockets, etc., before washing to prevent error codes or damage to the washer or clothing. For some models, LE is displayed first, then the I is displayed.
ŁŁ TUB CLEAN ALARM	It is time to run the Tub Clean cycle. <ul style="list-style-type: none"> This is not an error code. It indicates that the Tub Clean cycle is running or needs to be run to clean the washer tub. For some models, ŁŁ is displayed first, then the Ł is displayed.
ub UNBALANCE DETECTION	The washer has detected an out of balance load. <ul style="list-style-type: none"> This display is for your information only, and no action is required. If the washer detects a load that is too far out of balance to spin, it will display this code while it is attempting to rebalance the load. The washer will add water and try to redistribute the load automatically. As a result, the cycle will take longer than initially estimated.
ŁŁ TEMPERATURE SENSOR ERROR	Control error <ul style="list-style-type: none"> Unplug the washer and wait 60 minutes. Reconnect power and try again. If the error code is still displayed, call for service.
FE OVERFLOW ERROR	Water level is too high due to a faulty water valve. <ul style="list-style-type: none"> Close the water faucets, unplug the washer, and call for service.
PE PRESSURE SENSOR ERROR	The water level sensor is not working correctly. <ul style="list-style-type: none"> Close the water faucets, unplug the washer, and call for service.
LE MOTOR LOCKED ERROR	A motor error has occurred. <ul style="list-style-type: none"> Allow the washer to stand for 30 minutes and then restart the cycle. If the error code is still displayed, call for service.

Problem	Possible Cause & Solution
Eb CLUTCH ERROR	Clutch error <ul style="list-style-type: none"> • Mechanical failure • Unplug the washer and call for service.
P5 SUPPLY VOLTAGE ERROR	Supply voltage is not correct. <ul style="list-style-type: none"> • Please call LG service center. You can find your local LG service center phone number on the back cover page.

Noises

Problem	Possible Cause & Solution
Clicking	Lid lock sounds when the lid locks or unlocks. <ul style="list-style-type: none"> • Normal operation
Spraying or hissing	Water spraying or circulating during the cycle <ul style="list-style-type: none"> • Normal operation
Humming or Gurgling	Drain pump is pumping water from the washer at times during a cycle. <ul style="list-style-type: none"> • Normal operation
Water sloshing	A liquid in the balance ring around the pulsator helps the basket spin smoothly. <ul style="list-style-type: none"> • Normal operation
Water being added after the washer has already begun to operate	The washer adapts to the load size and type to add more water to the cycle as needed. <ul style="list-style-type: none"> • Normal operation
	The wash load may be unbalanced. If the washer senses that the load is unbalanced, it will stop and refill to redistribute the load. <ul style="list-style-type: none"> • Normal operation
	The washer may be diluting laundry additives to add to the wash load. <ul style="list-style-type: none"> • Normal operation
Rattling and clanking noise	Foreign objects, such as keys, coins, or safety pins may be in tub or pump. <ul style="list-style-type: none"> • Stop the washer, check the tub and the drain filter for foreign objects. • If noise continues after the washer is restarted, call for service.
Thumping sound	Heavy wash loads may produce a thumping sound. <ul style="list-style-type: none"> • This is normal, but if the sound continues, the washer is probably out of balance. Stop and redistribute wash load.
	Wash load may be out of balance. <ul style="list-style-type: none"> • Pause the cycle and redistribute the load after the lid unlocks.
Vibrating noise	Packaging materials were not removed. <ul style="list-style-type: none"> • See Unpacking and Removing Shipping Material in INSTALLATION.
	Wash load may be unevenly distributed in the tub. Wash load may be unevenly distributed in the tub. <ul style="list-style-type: none"> • Pause the cycle and redistribute the load after the lid unlocks.
	Not all leveling feet are resting firmly and evenly on the floor. <ul style="list-style-type: none"> • See Leveling the Washer in INSTALLATION.
	Floor is not rigid enough. <ul style="list-style-type: none"> • Make sure that the floor is solid and does not flex. See Flooring in INSTALLATION.

Problem	Possible Cause & Solution
Squeaking noise	<p>Packaging materials were not removed.</p> <ul style="list-style-type: none"> • See Unpacking and Removing shipping Material in INSTALLATION.
Banging noise when the washer is filling with water.(Water hammer)	<p>Plumbing in the home moves or flexes when the water valves in the washer shut off.</p> <ul style="list-style-type: none"> • Water hammer is not caused by a defect in the washer. Install water hammer arrestors (purchased separately at hardware or home improvement store) between the fill hose and the washer for best results.
	<p>Household water supply pressure is very high.</p> <ul style="list-style-type: none"> • Adjust household water supply regulator to a lower pressure or contact a plumber.

Operation

Problem	Possible Cause & Solution
Water Leaking	<p>Hoses are not connected correctly.</p> <ul style="list-style-type: none"> • Check hoses and connectors for leaks, cracks, and splits. • Check and tighten hose connections.
	<p>House drain pipes are clogged.</p> <ul style="list-style-type: none"> • The washer pumps out water very rapidly. Check for water backing up out of the drain pipe during drain. If water is seen coming out of the drain, check for proper drain hose installation and check for restrictions in the drain. • Contact a plumber to repair drain pipe.
	<p>Drain hose has come out of the drain connector or is not inserted far enough.</p> <ul style="list-style-type: none"> • Tie drain hose to inlet hose or standpipe to prevent it from coming out during drain. • For smaller drain pipes, insert the drain hose into the pipe as far as the drain hose flange. For larger drain pipes, insert the drain hose into the pipe 1 - 2 inches past the flange.
	<p>A large item such as a pillow or blanket is above the top of the tub.</p> <ul style="list-style-type: none"> • Use the Bedding cycle for large or bulky items. Use extra care and never wash more than half a load of items that float, such as pillows. • Stop the washer and check the load. Make sure that the load does not crest above the top edge of the tub.
	<p>Oversudsing of detergent</p> <ul style="list-style-type: none"> • Oversudsing may create leaks, and may be caused by the type and amount of detergent used. HE (High-Efficiency) detergent is the only detergent recommended. The normal amount of detergent to use is 1/4 to 1/2 of the maximum amount recommended by the detergent manufacturer. • Always reduce the amount of detergent if the load is small or lightly soiled, or if the water is very soft. • Never use more than the maximum amount recommended by the detergent manufacturer.
Excessive sudsing	<p>Too much detergent or incorrect detergent</p> <ul style="list-style-type: none"> • HE detergents are formulated specifically for HE (High-Efficiency) washers and contain suds reducing agents. Only use detergent with the HE (High-Efficiency) logo. • For detergent quantities refer to Detergent Use in OPERATION. If sudsing or detergent residue continues to be an issue, add an extra rinse.

Problem	Possible Cause & Solution
Washer will not turn on.	<p>Power cord is not properly plugged in.</p> <ul style="list-style-type: none"> • Make sure that the plug is plugged securely into a grounded, 3-prong, 120-VAC, 60 Hz outlet.
	<p>House fuse is blown, circuit breaker has tripped, or power outage has occurred.</p> <ul style="list-style-type: none"> • Reset circuit breaker or replace fuse. Do not increase fuse capacity. If the problem is a circuit overload, have it corrected by a qualified electrician.
Wash cycle time is longer than usual.	<p>The washer automatically adjusts the wash time for the amount of laundry, water pressure and other operating conditions.</p> <ul style="list-style-type: none"> • This is normal. The washer adjusts cycle time automatically to provide optimal results for the selected cycle. The time remaining shown in the display is only an estimate. Actual time may vary.
Incomplete or no dispensing of detergent	<p>Detergent compartments clogged from incorrect filling.</p> <ul style="list-style-type: none"> • Make sure that detergent and additives are put into the correct dispenser compartments. • For all detergent types, always make sure that the dispenser drawer is fully closed before the start of the cycle.
	<p>Too much detergent used.</p> <ul style="list-style-type: none"> • Make sure that the suggested amount of detergent is used according to the manufacturer's recommendations. You may also dilute the detergent with water to the maximum fill line on the compartment to avoid clogging. Use only HE (High-Efficiency) detergent. - Always use as little detergent as possible. HE (High-Efficiency) washers need very little detergent to achieve optimum results. Using too much detergent will cause poor wash and rinse performance and may contribute to odors in the washer.
	<p>Insufficient water supply</p> <ul style="list-style-type: none"> • Make sure that both hot and cold water faucets are turned on all the way.
	<p>Normal residue</p> <ul style="list-style-type: none"> • It is normal for a small amount of detergent to remain in the dispenser. If this residue builds up, it can interfere with normal dispensing of detergents. Refer to the cleaning instructions.

Problem	Possible Cause & Solution
Washer will not operate.	Control panel has powered off due to inactivity. <ul style="list-style-type: none"> This is normal. Press the Power button to turn on the washer.
	Washer is unplugged. <ul style="list-style-type: none"> Make sure that the power cord is plugged securely into an electrical outlet.
	Water supply is turned off. <ul style="list-style-type: none"> Turn both hot and cold faucets fully on.
	Controls are not set properly. <ul style="list-style-type: none"> Make sure that the cycle was set correctly, close the lid and press the Start/Pause button to start the wash cycle.
	Lid is open. <ul style="list-style-type: none"> Close the lid and make sure that nothing is caught under the lid preventing it from closing completely.
	Circuit breaker/fuse is tripped/blown. <ul style="list-style-type: none"> Check house circuit breakers/fuses. Replace fuses or reset breaker. The washer should be on a dedicated branch circuit.
	Start/Pause button was not pressed after the cycle was set. <ul style="list-style-type: none"> Press the Power button then reselect the desired cycle and press the Start/Pause button. If the Start/Pause button is not pressed within a certain time, the washer will be turned off. (The time varies by model, from 4 to 60 minutes.)
	Extremely low water pressure. <ul style="list-style-type: none"> Check another faucet in the house to make sure that household water pressure is adequate.
	Washer is too cold. <ul style="list-style-type: none"> If the washer has been exposed to temperatures below freezing for an extended period of time, allow it to warm up before pressing the Power button. Otherwise, the display will not come on.
Washer is not filling properly.	Filter is clogged. <ul style="list-style-type: none"> Make sure that inlet filters on the fill valves are not clogged. Refer to Cleaning the Water Inlet Filters in MAINTENANCE.
	Inlet hoses may be kinked. <ul style="list-style-type: none"> Check that inlet hoses are not kinked or clogged.
	Energy efficiency <ul style="list-style-type: none"> This is a High-Efficiency (HE) washer. As a result, the water level settings for this washer may be different than for conventional washer.
	Insufficient water supply <ul style="list-style-type: none"> Make sure that both hot and cold water faucets are turned on all the way.
	Washer lid is open. <ul style="list-style-type: none"> Close the lid and make sure that nothing is caught under the lid preventing it from closing completely.
	Water level is too low. <ul style="list-style-type: none"> The water will not normally cover the clothes. The fill level is optimized for the wash motion to achieve the best wash performance.

Problem	Possible Cause & Solution
Water in the washer does not drain or drains slowly.	Drain hose is kinked, pinched, or clogged. <ul style="list-style-type: none"> Make sure that the drain hose is free of clogs or kinks and is not pinched behind or under the washer.
	The end of the drain hose is more than 96 inches (2.4 m) above the bottom of the washer. <ul style="list-style-type: none"> Move the end of the drain hose so that it is lower than 96 inches (2.4 m).
Bleach does not dispense.	Bleach dispenser cover is not properly installed (on some models). <ul style="list-style-type: none"> Make sure that the bleach cover is properly installed and snapped into place before the beginning of the cycle.
	Bleach dispenser is dirty or clogged. <ul style="list-style-type: none"> Lift out the bleach dispenser cover and clean out the reservoir. Lint and other foreign debris that are collected inside the dispenser may prevent proper dispensing of the bleach.
Premature dispensing of bleach	Bleach dispenser filled for future load. <ul style="list-style-type: none"> You cannot store bleach in the dispenser for future use. The bleach will be dispensed every load.
	Overfilling the bleach dispenser <ul style="list-style-type: none"> Overfilling the bleach dispenser will cause the bleach to dispense immediately, which will damage the laundry or the washer. Always measure bleach, but never fill above the max line on the dispenser. A half cup of bleach is sufficient for most loads. Never use more than 1 cup of bleach.

Performance

Problem	Possible Cause & Solution
Wrinkling	Washer is not unloaded promptly. <ul style="list-style-type: none"> Always remove items from the washer as soon as the cycle is complete.
	Washer is overloaded. <ul style="list-style-type: none"> The washer can be fully loaded, but the tub should not be tightly packed with items. The lid of the washer should close easily.
	Hot and cold water inlet hoses are reversed. <ul style="list-style-type: none"> Hot water rinse can set wrinkles in garments. Check the Inlet hose connectors.
Staining	Bleach or softener dispensed too soon. <ul style="list-style-type: none"> Dispenser compartment was overfilled, causing the bleach or softener to dispense immediately. Always measure bleach, and never use more than 1 cup.
	Bleach or softener was added directly to the wash load in the tub. <ul style="list-style-type: none"> Always use the dispensers to ensure that laundry products are properly dispensed at the right time in the cycle.
	Washer was not unloaded promptly. <ul style="list-style-type: none"> Always remove items from the washer as soon as possible after the cycle is completed.
	Clothes were not properly sorted. <ul style="list-style-type: none"> Always wash dark colors separately from light colors and whites to prevent discoloration. Never wash heavily soiled items with lightly soiled items.

Problem	Possible Cause & Solution
Poor stain removal	<p>Proper options are not selected.</p> <ul style="list-style-type: none"> • Heavier soils and tougher stains may require extra cleaning power. Select the Soak or Stain Care feature to boost the cleaning power of the selected cycle.
	<p>Previously set stains.</p> <ul style="list-style-type: none"> • Articles that have previously been washed may have stains that have been set. These stains may be difficult to remove and may require hand washing or pre-treating to aid in stain removal.
Musty or mildewy odor in the washer	<p>Incorrect or too much detergent has been used.</p> <ul style="list-style-type: none"> • Use only HE (High-Efficiency) detergent in accordance with the manufacturer's instructions.
	<p>Inside of the tub was not cleaned properly.</p> <ul style="list-style-type: none"> • Run the Tub Clean cycle regularly.

LIMITED WARRANTY

USA

TERMS AND CONDITIONS

ARBITRATION NOTICE: THIS LIMITED WARRANTY CONTAINS AN ARBITRATION PROVISION THAT REQUIRES YOU AND LG ELECTRONICS (“LG”) TO RESOLVE DISPUTES BY BINDING ARBITRATION INSTEAD OF IN COURT, UNLESS YOU CHOOSE TO OPT OUT. IN ARBITRATION, CLASS ACTIONS AND JURY TRIALS ARE NOT PERMITTED. PLEASE SEE THE SECTION TITLED “PROCEDURE FOR RESOLVING DISPUTES” BELOW.

Should your LG Washer (“Product”) fail due to a defect in materials or workmanship under normal and proper use, during the warranty period set forth below, LG will, at its option, repair or replace the Product. This limited warranty is valid only to the original retail purchaser of the Product (“You”) and applies only when purchased lawfully and used within the United States including U.S. Territories.

WARRANTY PERIOD		
Washer	Stainless Steel Tub	Direct Drive Motor (Stator and Rotor)
Parts (internal/ functional parts only) and Labor: One (1) year from the date of original retail purchase	Parts Only: Three (3) years from the date of original retail purchase You are responsible for any applicable labor cost.	Parts Only: Ten (10) years from the date of original retail purchase You are responsible for any applicable labor cost.

- Replacement Products and parts are warranted for the remaining portion of the original warranty period or ninety (90) days, whichever is greater.
- Replacement Products and parts may be new, reconditioned, refurbished, or otherwise factory remanufactured.
- Replaced Product or part(s) will be the property of LG.
- Proof of original retail purchase specifying the Product model and date of purchase is required to obtain warranty service under this limited warranty. In the event of no proof of purchase, warranty start date will be ninety (90) days from the manufacture date.

EXCEPT TO THE EXTENT PROHIBITED BY APPLICABLE LAW, ANY IMPLIED WARRANTY OF MERCHANTABILITY OR FITNESS FOR A PARTICULAR PURPOSE ON THE PRODUCT IS LIMITED IN DURATION TO THE DURATION OF THE ABOVE LIMITED WARRANTY. UNDER NO CIRCUMSTANCES SHALL LG OR ITS U.S. DISTRIBUTORS/DEALERS BE LIABLE FOR ANY INDIRECT, INCIDENTAL, CONSEQUENTIAL, SPECIAL, OR PUNITIVE DAMAGES, INCLUDING, WITHOUT LIMITATION, LOST GOODWILL, LOST REVENUES OR PROFITS, WORK STOPPAGE, IMPAIRMENT OF OTHER GOODS, COST OF REMOVAL AND REINSTALLATION OF THE PRODUCT, LOSS OF USE, OR ANY OTHER DAMAGES WHETHER BASED IN CONTRACT, TORT, OR OTHERWISE. LG’S TOTAL LIABILITY, IF ANY, SHALL NOT EXCEED THE PURCHASE PRICE PAID BY YOU FOR THE PRODUCT.

SOME STATES DO NOT ALLOW THE EXCLUSION OR LIMITATION OF INCIDENTAL OR CONSEQUENTIAL DAMAGES OR LIMITATIONS ON HOW LONG AN IMPLIED WARRANTY LASTS, SO THE ABOVE EXCLUSIONS OR LIMITATIONS MAY NOT APPLY TO YOU. THIS LIMITED WARRANTY GIVES YOU SPECIFIC LEGAL RIGHTS AND YOU MAY ALSO HAVE OTHER RIGHTS THAT VARY FROM STATE TO STATE.

THIS LIMITED WARRANTY DOES NOT COVER:

- Service trips to i) deliver, pick up, or install, or; educate how to operate the Product;, ii) correct wiring;, or iii) correct unauthorized repairs or installations of the Product.
- Damage or failure of the Product to perform during power failures and interrupted or inadequate electrical service.

- Damage or failure of the Product caused by leaky or broken water pipes, frozen water pipes, restricted drain lines, inadequate or interrupted water supply, or inadequate supply of air.
- Damage or failure of the Product resulting from operating the Product in a corrosive atmosphere, in an unsuitable environment, or otherwise contrary to the Product owner's manual.
- Damage or failure of the Product caused by accidents, pests and vermin, lightning, wind, fire, floods, pandemics, acts of nature, or any other causes beyond the control of LG.
- Damage or failure of the Product resulting from misuse, abuse, improper installation, repair, or maintenance, or service not approved by LG. Improper repair includes use of parts not authorized or specified by LG. Improper installation or maintenance includes installation or maintenance contrary to the Product's owner's manual.
- Damage or failure of the Product caused by unauthorized modification or alteration, any other property damage or failure resulting from any water leakage where the Product is not properly installed in accordance with the Product's owner's manual.
- Damage or failure of the Product caused by incorrect electrical current, voltage, or plumbing codes.
- Damage or failure of the Product caused by use of parts, accessories, components, consumable cleaning products, any other products, or service that are not authorized by LG.
- Replacement of light bulbs, filters, fuses, or any other consumable parts.
- Damage or failure of the Product caused by transportation, storage, and/or handling, including scratches, dents, chips, and/or other damage to the finish of your Product, unless such damage is reported within one (1) week of delivery.
- Damage or missing items to any display, open box, refurbished, or discounted Product.
- Refurbished Product or any Product sold "As Is", "Where Is", "With all Faults", or similar disclaimer.
- Products with original serial numbers that have been removed, altered, or cannot be readily determined at the discretion of LG.
- Increases in utility costs and additional utility expenses in any way associated with the Product.
- Any noises associated with normal operation.
- Products used for other than normal and proper household use, including, without limitation, commercial or industrial use or, use in offices, and recreational facilities or vehicles, or as otherwise outlined in the Product owner's manual.
- Costs associated with removal and/or reinstallation of your Product.
- The removal and reinstallation of the Product if it is installed in an inaccessible location or is not installed in accordance with the Product owner's manual.

The cost of repair or replacement under these excluded circumstances shall be borne by You.

TO OBTAIN WARRANTY SERVICE AND ADDITIONAL INFORMATION

Call 1-800-243-0000 and select the appropriate option from the menu.

Or visit our website at <http://www.lg.com>

Or by mail: LG Electronics, P.O. Box 240007, Huntsville, AL 35813 ATTN: Customer Service

PROCEDURE FOR RESOLVING DISPUTES:

ALL DISPUTES BETWEEN YOU AND LG ARISING OUT OF OR RELATING IN ANY WAY TO THIS LIMITED WARRANTY OR THE PRODUCT SHALL BE RESOLVED EXCLUSIVELY THROUGH BINDING ARBITRATION, AND NOT IN A COURT OF GENERAL JURISDICTION. BINDING ARBITRATION MEANS THAT YOU AND LG ARE EACH WAIVING THE RIGHT TO A JURY TRIAL AND TO BRING OR PARTICIPATE IN A CLASS ACTION.

Definitions. For the purposes of this section, references to "LG" mean LG Electronics U.S.A., Inc., its parents, subsidiaries and affiliates, and each of their officers, directors, employees, agents, beneficiaries, predecessors in interest, successors, assigns and suppliers; references to "dispute" or "claim" shall include any dispute, claim or controversy of any kind whatsoever (whether based in contract, tort, statute, regulation, ordinance, fraud, misrepresentation or any other legal or equitable theory) arising out of or relating in any way to the sale, condition or performance of the product or this Limited Warranty.

Notice of Dispute. In the event you intend to commence an arbitration proceeding, you must first notify LG in writing at least 30 days in advance of initiating the arbitration by sending a letter to LG at LG Electronics USA, Inc. Attn: Legal Department- Arbitration 111 Sylvan Avenue, Englewood Cliffs, NJ 07632. You and LG agree to engage in good faith discussions in an attempt to amicably resolve your claim. The notice must provide your name, address, and telephone number; identify the product that is the subject of the claim; and describe the nature of the claim and the relief being sought. If you and LG are unable to resolve the dispute within 30 days, either party may proceed to file a claim for arbitration.

Agreement to Binding Arbitration and Class Action Waiver. Upon failure to resolve the dispute during the 30 day period after sending written notice to LG, you and LG agree to resolve any claims between us only by binding arbitration on an individual basis, unless you opt out as provided below. Any dispute between you and LG shall not be combined or consolidated with a dispute involving any other person's or entity's product or claim. More specifically, without limitation of the foregoing, any dispute between you and LG shall not under any circumstances proceed as part of a class or representative action. Instead of arbitration, either party may bring an individual action in small claims court, but that small claims court action may not be brought on a class or representative basis.

Arbitration Rules and Procedures. To begin arbitration of a claim, either you or LG must make a written demand for arbitration. The arbitration will be administered by the American Arbitration Association ("AAA") and will be conducted before a single arbitrator under the AAA's Consumer Arbitration Rules that are in effect at the time the arbitration is initiated (referred to as the "AAA Rules") and under the procedures set forth in this section. The AAA Rules are available online at www.adr.org/consumer. Send a copy of your written demand for arbitration, as well as a copy of this provision, to the AAA in the manner described in the AAA Rules. You must also send a copy of your written demand to LG at LG Electronics USA, Inc. Attn: Legal Department- Arbitration 111 Sylvan Avenue, Englewood Cliffs, NJ 07632. If there is a conflict between the AAA Rules and the rules set forth in this section, the rules set forth in this section will govern. This arbitration provision is governed by the Federal Arbitration Act. Judgment may be entered on the arbitrator's award in any court of competent jurisdiction. All issues are for the arbitrator to decide, except that issues relating to the scope and enforceability of the arbitration provision and to the arbitrability of the dispute are for the court to decide. The arbitrator is bound by the terms of this provision.

Governing Law. The law of the state of your residence shall govern this Limited Warranty and any disputes between us except to the extent that such law is preempted by or inconsistent with applicable federal law.

Fees/Costs. You do not need to pay any fee to begin an arbitration. Upon receipt of your written demand for arbitration, LG will promptly pay all arbitration filing fees to the AAA unless you seek more than \$25,000 in damages, in which case the payment of these fees will be governed by the AAA Rules. Except as otherwise provided for herein, LG will pay all AAA filing, administration and arbitrator fees for any arbitration initiated in accordance with the AAA Rules and this arbitration provision. If you prevail in the arbitration, LG will pay your attorneys' fees and expenses as long as they are reasonable, by considering factors including, but not limited to, the purchase amount and claim amount. Notwithstanding the foregoing, if applicable law allows for an award of reasonable attorneys' fees and expenses, an arbitrator can award them to the same extent that a court would. If the arbitrator finds either the substance of your claim or the relief sought in the demand is frivolous or brought for an improper purpose (as measured by the standards set forth in Federal Rule of Civil Procedure 11(b)), then the payment of all arbitration fees will be governed by the AAA Rules. In such a situation, you agree to reimburse LG for all monies previously disbursed by it that are otherwise your obligation to pay under the AAA Rules. Except as otherwise provided for, LG waives any rights it may have to seek attorneys' fees and expenses from you if LG prevails in the arbitration.

Hearings and Location. If your claim is for \$25,000 or less, you may choose to have the arbitration conducted solely on the basis of (1) documents submitted to the arbitrator, (2) through a telephonic hearing, or (3) by an in-person hearing as established by the AAA Rules. If your claim exceeds \$25,000, the right to a hearing will be determined by the AAA Rules. Any in-person arbitration hearings will be held at a location within the federal judicial district in which you reside unless we both agree to another location or we agree to a telephonic arbitration.

Opt Out. You may opt out of this dispute resolution procedure. If you opt out, neither you nor LG can require the other to participate in an arbitration proceeding. To opt out, you must send notice to LG no later than 30 calendar days from the date of the first consumer purchaser's purchase of the product by either: (i) sending an e-mail to optout@lge.com, with the subject line: "Arbitration Opt Out" or (ii) calling 1-800-980-2973. You must include in the opt out e-mail or provide by telephone: (a) your name and address;

(b) the date on which the product was purchased; (c) the product model name or model number; and (d) the serial number (the serial number can be found (i) on the product; or (ii) online by accessing <https://www.lg.com/us/support/repair-service/schedule-repair-continued> and clicking on "Find My Model & Serial Number").

You may only opt out of the dispute resolution procedure in the manner described above (that is, by e-mail or telephone); no other form of notice will be effective to opt out of this dispute resolution procedure. Opting out of this dispute resolution procedure will not affect the coverage of the Limited Warranty in any way, and you will continue to enjoy the full benefits of the Limited Warranty. If you keep this product and do not opt out, then you accept all terms and conditions of the arbitration provision described above.

CANADA

TERMS AND CONDITIONS

ARBITRATION NOTICE: THIS LIMITED WARRANTY CONTAINS AN ARBITRATION PROVISION THAT REQUIRES YOU AND LG TO RESOLVE DISPUTES BY BINDING ARBITRATION INSTEAD OF IN COURT, UNLESS THE LAWS OF YOUR PROVINCE OR TERRITORY DO NOT PERMIT THAT, OR, IN OTHER JURISDICTIONS, IF YOU CHOOSE TO OPT OUT. IN ARBITRATION, CLASS ACTIONS AND JURY TRIALS ARE NOT PERMITTED. PLEASE SEE THE SECTION TITLED "PROCEDURE FOR RESOLVING DISPUTES" BELOW.

Should your LG Washer ("Product") fail due to a defect in materials or workmanship under normal and proper use, during the warranty period set forth below, LG Electronics Canada, Inc. ("LGECI") will, at its option, repair, replace or pro rate the Product upon receipt of proof of the original retail purchase. This limited warranty is valid only to the original retail purchaser of the Product and applies only to a Product distributed, purchased from an authorized retailer and used within Canada, as determined at the sole discretion of LGECI.

WARRANTY PERIOD (Note: If the original date of purchase cannot be verified, the warranty will begin sixty (60) days from the date of manufacture)		
Washer	Stainless Steel Tub	Direct Drive Motor (Motor or Rotor)
One (1) year from the date of original retail purchase	Three (3) years from the date of original retail purchase	Ten (10) years from the date of original retail purchase
Parts and Labor (internal/functional parts only)	Parts only (Consumer will be charged for labor)	Part only (Consumer will be charged for labor)

- Replacement products and parts are warranted for the remaining portion of the original warranty period or ninety (90) days, whichever is greater.
- Replacement products and parts may be new, reconditioned, refurbished, or otherwise factory remanufactured, all at the sole discretion of LGECI.
- Proof of original retail purchase specifying the Product model and date of purchase is required to obtain warranty service under this Limited Warranty.

LGECI'S SOLE LIABILITY IS LIMITED TO THE LIMITED WARRANTY SET OUT ABOVE. EXCEPT AS EXPRESSLY PROVIDED ABOVE, LGECI MAKES NO, AND HEREBY DISCLAIMS, ALL OTHER WARRANTIES AND CONDITIONS RESPECTING THE PRODUCT, WHETHER EXPRESS OR IMPLIED, INCLUDING BUT NOT LIMITED TO, ANY IMPLIED WARRANTY OR CONDITION OF MERCHANTABILITY OR FITNESS FOR A PARTICULAR PURPOSE, AND NO REPRESENTATIONS SHALL BE BINDING ON LGECI. LGECI DOES NOT AUTHORIZE ANY PERSON TO CREATE OR ASSUME FOR IT ANY OTHER WARRANTY OBLIGATION OR LIABILITY IN CONNECTION WITH THE PRODUCT. TO THE EXTENT THAT ANY WARRANTY OR CONDITION IS IMPLIED BY LAW, IT IS LIMITED TO THE WARRANTY PERIOD SET OUT ABOVE. UNDER NO CIRCUMSTANCES SHALL LGECI, THE MANUFACTURER OR DISTRIBUTOR OF THE PRODUCT, BE LIABLE FOR ANY INCIDENTAL, CONSEQUENTIAL, SPECIAL, DIRECT, INDIRECT, PUNITIVE OR EXEMPLARY DAMAGES, INCLUDING, WITHOUT LIMITATION, LOSS OF GOODWILL, LOST PROFITS, LOSS OF ANTICIPATED PROFITS, LOST REVENUE, LOSS OF USE, OR ANY OTHER DAMAGE, WHETHER ARISING

DIRECTLY OR INDIRECTLY FROM ANY CONTRACTUAL BREACH, FUNDAMENTAL BREACH, TORT OR OTHERWISE, OR FROM ANY ACTS OR OMISSIONS. LGECI'S TOTAL LIABILITY, IF ANY, SHALL NOT EXCEED THE PURCHASE PRICE PAID BY YOU FOR THE PRODUCT.

This Limited Warranty gives you specific legal rights. You may also have other rights that vary from province to province depending on applicable provincial laws. Any term of this Limited Warranty that negates or varies any implied condition or warranty under provincial law is severable where it conflicts with such provincial law without affecting the remainder of this warranty's terms.

THIS LIMITED WARRANTY DOES NOT COVER:

- Service trips to i) deliver, pick up, or install or; educate on how to operate the Product; ii) correct wiring or plumbing; or iii) correct unauthorized repairs or installations of the Product;
- Damage or failure of the Product to perform during power failures and interrupted or inadequate electrical service;
- Damage or failure caused by leaky or broken water pipes, frozen water pipes, restricted drain lines, inadequate or interrupted water supply or inadequate supply of air;
- Damage or failure resulting from operating the Product in a corrosive atmosphere or contrary to the instructions outlined in the Product's owner's manual;
- Damage or failure to the Product caused by accidents, pests and vermin, lightning, wind, fire, floods, acts of God, or any other causes beyond the control of LGECI or the manufacturer;
- Damage or failure resulting from misuse, abuse, improper installation, repair, or maintenance of the Product. Improper repair includes use of parts not authorized or specified by LGECI. Improper installation or maintenance includes installation or maintenance contrary to the Product's owner's manual;
- Damage or failure caused by unauthorized modification or alteration of the Product, or if used for other than the intended household purpose/use of the Product, or damage or failure resulting from any water leakage due to improper installation of the Product;
- Damage or failure caused by incorrect electrical current, voltage or plumbing codes;
- Damage or failure caused by use that is other than normal household use, including, without limitation, commercial or industrial use, including use in commercial offices or recreational facilities, or as otherwise outlined in the Product's owner's manual;
- Damage or failure caused by the use of any accessories, components or cleaning products, including, without limitation, that are not approved/authorized by LGECI;
- Damage or failure caused by transportation and handling, including scratches, dents, chips and/or other damage to the finish of the Product, unless such damage results from defects in materials or workmanship and is reported to LGECI within one (1) week of delivery of the Products;
- Damage or missing items to any display, open box, refurbished or discounted Product;
- Refurbished Product or any Product sold "As Is", "Where Is", "With all Faults", or any similar disclaimer;
- Products with original serial numbers that have been removed, altered or cannot be readily determined at the discretion of LGECI;
- Increases in utility costs and additional utility expenses in any way associated with the Product;
- Replacement of light bulbs, filters, fuses or any other consumable parts;
- Costs associated with removal and/or reinstallation of the Product for repairs;
- Noises associated with normal operation and failure to follow instructions found in the use and care and installation guides or operating the unit in an unsuitable environment will not be covered under this warranty.
- Coverage for "in Home" repairs, for products in-warranty, will be provided if the Product is within a 150 km radius from the nearest authorized service center (ASC), as determined by LG Canada. If your Product is located outside a 150 km radius from a ASC, as determined by LG Canada, it will be your responsibility to bring the Product, at your sole expense, to the ASC for in-warranty repair.

All costs and expenses associated with the above excluded circumstances, listed under the heading, This Limited Warranty Does Not Cover, shall be borne by the consumer.

TO OBTAIN WARRANTY SERVICE AND ADDITIONAL INFORMATION, PLEASE CALL OR VISIT OUR WEBSITE:

Call 1-888-542-2623 and select the appropriate option from the menu, or visit our website at <http://www.lg.com>

PROCEDURE FOR RESOLVING DISPUTES:

EXCEPT WHERE PROHIBITED AT LAW, ALL DISPUTES BETWEEN YOU AND LG ARISING OUT OF OR RELATING IN ANY WAY TO THIS LIMITED WARRANTY OR THE PRODUCT SHALL BE RESOLVED EXCLUSIVELY THROUGH BINDING ARBITRATION, AND NOT IN A COURT OF GENERAL JURISDICTION. EXCEPT WHERE PROHIBITED AT LAW, YOU AND LG BOTH IRREVOCABLY AGREE TO WAIVE THE RIGHT TO A JURY TRIAL AND TO BRING OR PARTICIPATE IN A CLASS ACTION.

Definitions. For the purposes of this section, references to “LG” mean LG Electronics Canada, Inc., its parents, subsidiaries and affiliates, and each of their officers, directors, employees, agents, beneficiaries, predecessors in interest, successors, assigns and suppliers; references to “dispute” or “claim” shall include any dispute, claim or controversy of any kind whatsoever (whether based in contract, tort, statute, regulation, ordinance, fraud, misrepresentation or any other legal or equitable theory) arising out of or relating in any way to the sale, condition or performance of the product or this Limited Warranty.

Notice of Dispute. In the event you intend to commence an arbitration proceeding, you must first notify LG in writing at least 30 days in advance of initiating the arbitration by sending a letter to LGECI Legal Team at 20 Norelco Drive, North York, Ontario, Canada M9L 2X6 (the “Notice of Dispute”). You and LG agree to engage in good faith discussions in an attempt to amicably resolve your claim. The notice must provide your name, address, and telephone number; identify the product that is the subject of the claim; and describe the nature of the claim and the relief being sought. If you and LG are unable to resolve the dispute within 30 days of LG’s receipt of the Notice of Dispute, the dispute shall be resolved by binding arbitration in accordance with the procedure set out herein. You and LG both agree that, during the arbitration proceeding, the terms (including any amount) of any settlement offer made by either you or LG will not be disclosed to the arbitrator until the arbitrator determines the dispute.

Agreement to Binding Arbitration and Class Action Waiver. Upon failure to resolve the dispute during the 30 day period after LG’s receipt of the Notice of Dispute, you and LG agree to resolve any claims between you and LG only by binding arbitration on an individual basis, unless you opt out as provided below, or you reside in a jurisdiction that prevents full application of this clause in the circumstances of the claims at issue (in which case if you are a consumer, this clause will only apply if you expressly agree to the arbitration). To the extent permitted by applicable law, any dispute between you and LG shall not be combined or consolidated with a dispute involving any other person’s or entity’s product or claim. More specifically, without limitation of the foregoing, except to the extent such a prohibition is not permitted at law, any dispute between you and LG shall not under any circumstances proceed as part of a class or representative action. Instead of arbitration, either party may bring an individual action in small claims court, but that small claims court action may not be brought on a class or representative basis except to the extent this prohibition is not permitted at law in your province or territory of jurisdiction as it relates to the claims at issue between you and LG.

Arbitration Rules and Procedures. To begin arbitration of a claim, either you or LG must make a written demand for arbitration. The arbitration will be private and confidential, and conducted on a simplified and expedited basis before a single arbitrator chosen by the parties under the provincial or territorial commercial arbitration law and rules of the province or territory of your residence. You must also send a copy of your written demand to LG at LG Electronics, Canada, Inc., Attn: Legal Department- Arbitration, 20 Norelco Drive, North York, Ontario M9L 2X6. This arbitration provision is governed by your applicable provincial or territorial commercial arbitration legislation. Judgment may be entered on the arbitrator’s award in any court of competent jurisdiction. All issues are for the arbitrator to decide, except that, issues relating to the scope and enforceability of the arbitration provision and to the arbitrability of the dispute are for the court to decide. The arbitrator is bound by the terms of this provision.

Governing Law. The law of the province or territory of your purchase shall govern this Limited Warranty and any disputes between you and LG except to the extent that such law is preempted by or inconsistent with applicable federal or provincial/territorial law. Should arbitration not be permitted for any claim, action, dispute or controversy between you and LG, you and LG attorn to the exclusive jurisdiction of the

courts of the province or territory of your purchase for the resolution of the claim, action, dispute or controversy between you and LG.

Fees/Costs. You do not need to pay any fee to begin an arbitration. Upon receipt of your written demand for arbitration, LG will promptly pay all arbitration filing fees unless you seek more than \$25,000 in damages, in which case the payment of these fees will be governed by the applicable arbitration rules. Except as otherwise provided for herein, LG will pay all filing, administration and arbitrator fees for any arbitration initiated in accordance with the applicable arbitration rules and this arbitration provision. If you prevail in the arbitration, LG will pay your attorneys' fees and expenses as long as they are reasonable, by considering factors including, but not limited to, the purchase amount and claim amount. Notwithstanding the foregoing, if applicable law allows for an award of reasonable attorneys' fees and expenses, an arbitrator can award them to the same extent that a court would. If the arbitrator finds either the substance of your claim or the relief sought in the demand is frivolous or brought for an improper purpose (as measured by the applicable laws), then the payment of all arbitration fees will be governed by the applicable arbitration rules. In such a situation, you agree to reimburse LG for all monies previously disbursed by it that are otherwise your obligation to pay under the applicable arbitration rules. Except as otherwise provided for, LG waives any rights it may have to seek attorneys' fees and expenses from you if LG prevails in the arbitration.

Hearings and Location. If your claim is for \$25,000 or less, you may choose to have the arbitration conducted solely (1) on the basis of documents submitted to the arbitrator, (2) through a telephonic hearing, or (3) by an in-person hearing as established by the applicable arbitration rules. If your claim exceeds \$25,000, the right to a hearing will be determined by the applicable arbitration rules. Any in-person arbitration hearings will be held at the nearest, most mutually-convenient arbitration location available within the province or territory in which you reside unless you and LG both agree to another location or agree to a telephonic arbitration.

Severability and Waiver. If any portion of this Limited Warranty (including these arbitration procedures) is unenforceable, the remaining provisions will continue in full force and effect to the maximum extent permitted by applicable law. Should LG fail to enforce strict performance of any provision of this Limited Warranty (including these arbitration procedures), it does not mean that LG intends to waive or has waived any provision or part of this Limited Warranty.

Opt Out. You may opt out of this dispute resolution procedure. If you opt out, neither you nor LG can require the other to participate in an arbitration proceeding. To opt out, you must send notice to LG no later than 30 calendar days from the date of the first consumer purchaser's purchase of the product by either (i) sending an e-mail to optout@lge.com, with the subject line: "Arbitration Opt Out;" or (ii) calling 1-800-980-2973. You must include in the opt out e-mail or provide by telephone: (a) your name and address; (b) the date on which the product was purchased; (c) the product model name or model number; and (d) the serial number (the serial number can be found (i) on the product; or (ii) online by accessing https://www.lg.com/ca_en/support/repair-service/schedule-repair and clicking on "Find My Model & Serial Number").

In the event that you "Opt Out", the law of the province or territory of your residence shall govern this Limited Warranty and any disputes between you and LG except to the extent that such law is preempted by or inconsistent with applicable federal or provincial/territorial law. Should arbitration not be permitted for any claim, action, dispute or controversy between you and LG, you and LG agree to attorn to the exclusive jurisdiction of the courts of the province or territory of your residence for the resolution of the claim, action, dispute or controversy between you and LG.

You may only opt out of the dispute resolution procedure in the manner described above (that is, by e-mail or telephone); no other form of notice will be effective to opt out of this dispute resolution procedure. Opting out of this dispute resolution procedure will not affect the coverage of the Limited Warranty in any way, and you will continue to enjoy the full benefits of the Limited Warranty. If you keep this product and do not opt out, then you accept all terms and conditions of the arbitration provision described above.

Conflict of Terms. In the event of a conflict or inconsistency between the terms of this Limited Warranty and the End User License Agreement ("EULA") in regards to dispute resolution, the terms of this Limited Warranty shall control and govern the rights and obligations of the parties and shall take precedence over the EULA.



MANUAL DEL PROPIETARIO

LAVADORA

Lea el manual del propietario detenidamente previo a operar el electrodoméstico y manténgalo al alcance para futuras referencias.

ESPAÑOL

WT7150C* / WT7000C*



MFL68267084
Rev.01_061021

www.lg.com

Copyright © 2021 LG Electronics Inc. Todos los derechos reservados

ÍNDICE

3 INSTRUCCIONES IMPORTANTES DE SEGURIDAD

- 3 LEA TODAS LAS INSTRUCCIONES ANTES DE UTILIZAR
- 3 MENSAJES DE ADVERTENCIA
- 7 MENSAJES DE PRECAUCIÓN

8 DESCRIPCIÓN GENERAL DEL PRODUCTO

- 8 Características del producto

10 INSTALACIÓN

- 10 Antes de la instalación
- 11 Elección de la ubicación adecuada
- 12 Desempaque y retiro del material de transporte
- 13 Conexión de las mangueras de entrada de agua
- 14 Conexión de la manguera de desagüe
- 15 Nivelación de la lavadora
- 16 Revisión final de la instalación

18 FUNCIONAMIENTO

- 18 Antes de utilizarlo
- 19 Clasificación de prendas
- 20 Carga de la lavadora
- 21 Agregado de productos de limpieza
- 25 Panel de control
- 28 Ciclos de lavado
- 31 Modificadores de ciclo
- 31 Opciones y funciones adicionales

35 FUNCIONES INTELIGENTES

- 35 Aplicación LG ThinQ
- 35 Función Smart Diagnosis™ (Diagnóstico Inteligente)

36 MANTENIMIENTO

- 36 Limpieza regular
- 36 Mantenimiento periódico
- 39 Cuidado en climas fríos

41 SOLUCIÓN DE PROBLEMAS

- 41 Antes de llamar al servicio técnico

50 GARANTÍA LIMITADA

- 50 EE. UU.

INSTRUCCIONES IMPORTANTES DE SEGURIDAD

LEA TODAS LAS INSTRUCCIONES ANTES DE UTILIZAR

Mensajes de seguridad

Su seguridad y la de los demás son muy importantes.

Tanto en este manual como en el equipo, hemos proporcionado muchos mensajes de seguridad importantes. Siempre debe leer y respetar todos los mensajes de seguridad.



Este es el símbolo de alerta de seguridad.

Este símbolo le advierte sobre posibles riesgos que pueden ocasionar lesiones o la muerte a usted o a otros. El símbolo de alerta de seguridad siempre estará acompañado de las palabras "ADVERTENCIA" o "PRECAUCIÓN" y seguido de un mensaje de seguridad importante.

Estos términos significan lo siguiente:



ADVERTENCIA

El incumplimiento de las instrucciones podría causarle la muerte o lesiones graves.



PRECAUCIÓN

El incumplimiento de las instrucciones podría causarle lesiones o daños al producto.

Todos los mensajes de seguridad le indicarán cuáles son los peligros potenciales, cómo reducir la posibilidad de lesiones y qué podría suceder si no sigue las instrucciones.

MENSAJES DE ADVERTENCIA



ADVERTENCIA

- Para disminuir el riesgo de explosiones, incendios, descargas eléctricas, quemaduras, lesiones o muerte para las personas que usen este artefacto, siga las precauciones básicas, incluidas las siguientes:

Instalación

- Cumpla con todos los procedimientos de seguridad del sector recomendados, incluido el uso de guantes de manga larga y gafas de seguridad.
- Nunca intente operar este artefacto si se encuentra dañado, si no funciona correctamente, si no está ensamblado por completo o si tiene piezas faltantes o rotas, incluido un cable o enchufe dañado.
- Antes de ser utilizado, este artefacto debe ser correctamente instalado, conforme a lo descrito en este manual.
- Para reducir el riesgo de lesiones graves o muerte, siga todas las instrucciones de instalación.
- Consulte las INSTRUCCIONES DE INSTALACIÓN para obtener información detallada sobre los procedimientos de conexión a tierra. Las instrucciones de instalación se suministran junto con el artefacto para ser consultadas por el instalador. Si el artefacto se traslada a una nueva ubicación, asegúrese de que lo revise y lo vuelva a instalar personal de servicio calificado.
- El traslado o la instalación del artefacto requieren de dos o más personas.
- No instale el artefacto en lugares húmedos.
- Almacene e instale el artefacto donde no esté expuesto a temperaturas bajo cero ni a la intemperie.
- Este artefacto no ha sido diseñado para ser usado en embarcaciones o instalaciones móviles, tales como casas rodantes, remolques o aeronaves.

4 INSTRUCCIONES IMPORTANTES DE SEGURIDAD

- Se recomienda encarecidamente no utilizar un depósito de drenaje al instalar este aparato, porque el agua estancada en dicho depósito puede aumentar el riesgo de que se produzcan descargas eléctricas, lesiones o incluso la muerte.
- Mantenga los materiales de empaque fuera del alcance de los niños. Los materiales de empaque pueden ser peligrosos para los niños. Corren riesgo de asfixia.
- Destruya el cartón, la bolsa de plástico y los demás materiales de empaque luego de Desempaque el artefacto. Estos materiales podrían utilizarlos los niños para jugar. Las cajas de cartón cubiertas con tapetes, colchas o láminas plásticas pueden convertirse en cámaras herméticas.
- El artefacto debe ser instalado y conectado a tierra por personal de servicio calificado, de acuerdo con los códigos locales.
- Cuando traslade o instale el aparato, tenga especial cuidado en no apretar, aplastar o dañar el cable de alimentación.
- Debe conectarse a un circuito de alimentación de clasificación y tamaño adecuados y debidamente protegido para evitar la sobrecarga eléctrica.
- Debe posicionar este artefacto cerca de una fuente de suministro eléctrico.
- Desconecte el cable de alimentación, el fusible del hogar o el interruptor de corriente antes de instalar o reparar el artefacto.
- El cable de alimentación de este aparato está equipado con un enchufe de 3 clavijas (conexión a tierra) que se conecta con un tomacorriente estándar de 3 clavijas (tierra) para minimizar la posibilidad de descarga eléctrica de este aparato.
- Por ninguna razón debe cortar o quitar la tercera clavija (tierra) del cable de alimentación.
- Use mangueras nuevas cuando conecte el aparato al suministro de agua. No reutilice mangueras viejas.

FUNCIONAMIENTO

- Lea todas las instrucciones antes de usar el artefacto y consérvelas.
- Use el artefacto únicamente para el fin previsto.
- Si el producto ha estado sumergido en el agua, en agua estancada o en un área anegada, no entre en contacto con el producto y comuníquese de inmediato con un Centro de información al cliente de LG Electronics para recibir instrucciones antes de reanudar el uso.
- Si detecta un sonido extraño, olor a quemado o a químico, o humo provenientes del artefacto, desconéctelo de inmediato y contáctese con un Centro de Información al Cliente de LG Electronics.
- Bajo ciertas condiciones, podría producirse gas hidrógeno en un sistema de agua caliente que no ha sido utilizado por dos semanas o más. EL GAS HIDRÓGENO ES EXPLOSIVO. Si el sistema de agua caliente no se ha usado durante ese período de tiempo, abra todas las llaves de agua caliente y deje que fluya varios minutos antes de usar el artefacto. Esto eliminará el gas hidrógeno acumulado. Dado que el gas hidrógeno es inflamable, no fume ni use ninguna llama abierta durante este proceso.
- No introduzca las manos en la lavadora si la cuba, el tambor, el agitador o cualquier pieza interior del artefacto se encuentra en movimiento. Antes de cargar, descargar o agregar artículos, presione **Inicio/Pausa** y espere que la cuba o el tambor se detengan por completo antes de introducir las manos en el interior.
- Este artefacto no ha sido diseñado para ser utilizado por personas con capacidades físicas, sensoriales o mentales disminuidas (incluidos niños) o que no cuenten con la experiencia o los conocimientos necesarios para operarlo, salvo que una persona responsable de su seguridad les brinde la supervisión o la instrucción pertinente en cuanto al uso del artefacto.
- No permita que niños o mascotas jueguen con el electrodoméstico, sobre o dentro de éste. Es necesaria la supervisión cuando el electrodoméstico es utilizado cerca de niños o mascotas.
- Mantenga los productos de lavandería lejos del alcance de los niños. Para evitar lesiones a las personas, preste atención a todas las advertencias que figuran en las etiquetas de los productos.
- Repare o reemplace de inmediato todos los cables de alimentación deshilachados o dañados de otra forma. No use un cable que exhiba roturas o abrasión en su longitud o en sus extremos.

- Nunca desconecte el artefacto tirando del cable de alimentación. Sujete siempre con firmeza el enchufe y tire derecho para extraerlo del tomacorriente.
- No use un cable de extensión ni un adaptador con este artefacto.
- No sujete el cable de alimentación ni toque los controles del artefacto con las manos húmedas.
- No modifique ni extienda el cable de alimentación.
- Si se daña el cable de electricidad, solo el fabricante está autorizado para reemplazarlo, o bien su agente de servicio técnico o una persona de calificación similar para prevenir riesgos.
- No coloque prendas aceitosas o grasosas, candelas o materiales inflamables encima del artefacto.
- Mantenga el área debajo de los artefactos y sus alrededores libre de materiales combustibles (pelusa, papel, trapos, etc.), gasolina, productos químicos y otros vapores o líquidos inflamables.
- No almacene ni use gasolina u otros líquidos o vapores inflamables cerca de este artefacto ni de ningún otro.
- No mezcle cloro con amoníaco o ácidos, como por ejemplo, vinagre. Siga las instrucciones del envase cuando utilice productos de lavandería. Su uso incorrecto puede producir gases venenosos, los cuales pueden ocasionar lesiones graves o la muerte.
- Nunca utilice productos químicos agresivos, limpiadores abrasivos ni solventes para limpiar la lavadora. Estos productos arruinarán el acabado.
- No lave prendas que hayan sido previamente limpiadas, lavadas o manchadas con gasolina, solventes de limpieza en seco, aceite vegetal o de cocina u otras sustancias inflamables o explosivas, ni prendas a las cuales se haya sumergido en estos productos, ya que los mismos emiten vapores que pueden inflamarse o explotar.
- No agregue gasolina, solventes de limpieza en seco ni otras sustancias explosivas o inflamables al agua del lavado. Estas sustancias emiten vapores que pueden inflamarse o explotar.
- En el caso de que se produzca una fuga de gas (gas propano, gas licuado de petróleo, etc.), no ponga en funcionamiento este artefacto ni ningún otro. Abra una puerta o una ventana para ventilar el área de inmediato.
- No utilice indebidamente los controles.
- Asegure la manguera de drenaje de forma segura en su lugar a manera de evitar inundaciones.
- No maltrate la tapa del aparato, no se siente ni se pare sobre ella.
- Al cerrar la tapa, mantenga sus manos y objetos extraños lejos del área de la tapa y del picaporte.
- Verifique siempre el interior del electrodoméstico para detectar objetos extraños.

Mantenimiento

- No repare ni reemplace ninguna parte del electrodoméstico. Todas las reparaciones deben ser realizadas por personal de servicio calificado a menos que se recomiende específicamente en este manual del propietario. Utilice sólo piezas de fábrica autorizadas.
- Desconecte el artefacto del suministro eléctrico antes de limpiarlo o de realizar cualquier tipo de mantenimiento que pueda realizar el usuario. Colocar los controles en la posición de apagado no desconecta el artefacto del suministro eléctrico.
- Quite el polvo o los materiales extraños de las clavijas del enchufe de alimentación.
- No desarme ni repare el artefacto por su cuenta.
- Remueva la tapa previo a que el electrodoméstico sea retirado para servicio o eliminación a manera de evitar que niños o animales pequeños queden atrapados dentro.
- Asegúrese de que la tapa o el cajón del dispensador se encuentren siempre cerrados cuando no se les estén colocando productos de lavandería.

Instrucciones de conexión a tierra

- La conexión inadecuada del conductor de conexión a tierra puede resultar en riesgo de choque eléctrico. Pregunte a un electricista calificado o al personal de servicio si no está seguro si el artefacto está adecuadamente conectado a tierra. No modifique el enchufe que viene con el artefacto. Si no cabe en el contacto, pida que un electricista calificado instale un contacto apropiado.
- El artefacto debe estar conectado a tierra. En caso de funcionamiento defectuoso o avería, la conexión a tierra reduce el riesgo de choque eléctrico al establecer una ruta de menor resistencia para la corriente eléctrica. El artefacto viene equipado con un cable eléctrico que tiene un conductor para conexión a tierra y un enchufe con conexión a tierra. El enchufe debe ser conectado a un contacto apropiado que esté instalado y conectado a tierra de acuerdo con todos los códigos y ordenanzas locales.

MENSAJES DE PRECAUCIÓN

PRECAUCIÓN

- Para reducir el riesgo de lesiones leves o moderadas a personas, el mal funcionamiento o daño al producto o propiedad cuando use este producto, siga las precauciones básicas, incluidas las siguientes:

Instalación

- Instale el producto sobre un piso firme y nivelado.

FUNCIONAMIENTO

- No coloque ningún objeto encima del artefacto.
- Cierre las llaves de agua y desconecte el artefacto si este no será usado por un periodo de tiempo prolongado, por ejemplo, durante las vacaciones.
- SIEMPRE siga las instrucciones para cuidado de los tejidos suministradas por el fabricante.
- Use suavizantes o productos para eliminar la electricidad estática solamente según las recomendaciones del fabricante.
- No combine productos de lavandería en una misma carga, a menos que este uso se especifique en la etiqueta.
- No toque el agua de desagüe, ya que podría estar caliente.
- Si las mangueras de drenaje y de entrada de agua se congelan en invierno, descongélelas antes de utilizar el electrodoméstico.
- No almacene ni vierta limpiadores, blanqueadores (blanqueador con cloro, blanqueador oxigenado, etc.) ni detergentes líquidos encima del artefacto. Si lo hace, podría ocasionar corrosión, decoloración o daño de la superficie del artefacto.
- Prendas o artículos impermeables o resistentes al agua deben ser lavados solamente en el ciclo Impermeables. (Los ejemplos incluyen: prendas resistentes al agua, fundas para colchones, ropa para exteriores, tapetes plásticos, etc.) El uso de otro ciclo podría producir una herida o causarle daños a la lavadora, a las prendas, las paredes, el piso y a objetos circundantes debido a la vibración anormal.

GUARDE ESTAS INSTRUCCIONES

DESCRIPCIÓN GENERAL DEL PRODUCTO

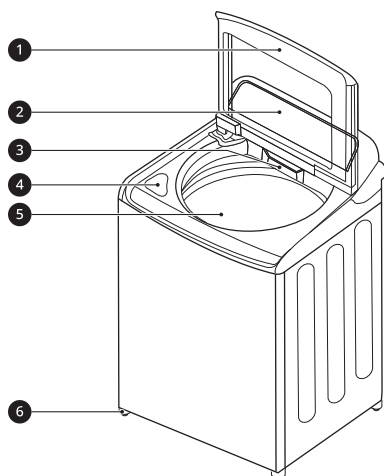
Características del producto

Las ilustraciones en esta guía pueden diferir de los componentes y accesorios reales, los cuales están sujetos a cambios sin previo aviso por parte del fabricante a fin de introducir mejoras en el producto.

NOTA

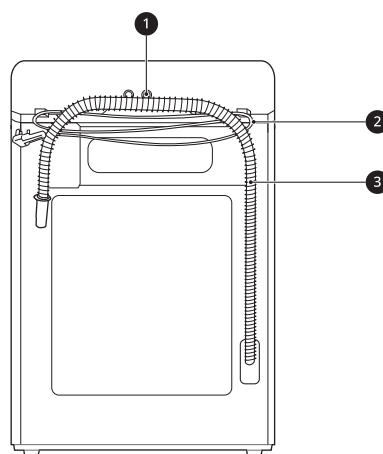
- Para su seguridad y para prolongar la vida útil del producto, use solo componentes autorizados. El fabricante no se hace responsable del mal funcionamiento del producto, los daños a la propiedad o las lesiones corporales causadas por el uso de componentes, partes o productos no autorizados adquiridos por separado.

Vista frontal



- ① Tapa
- ② Panel de control
- ③ Bandeja dispensadora de detergente
- ④ Compartimiento de blanqueador líquido
- ⑤ Tina
- ⑥ Patas de nivelación

Vista trasera



- ① Entradas de Agua
- ② Cable de Alimentación
- ③ Manguera de drenaje

Accesorios

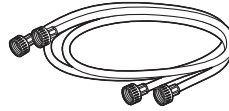
Accesorios incluidos



1

1 Correa

Accesorios requeridos



1

1 Mangueras de agua caliente y fría

Especificaciones del producto

La apariencia y las especificaciones detalladas en este manual podrían variar debido a mejoras constantes en el producto.

Modelo	WT7150C*	WT7000C*
Requisitos eléctricos	120 V CA, 60 Hz	
Presión de agua mín./máx.	20 - 120 psi (138 - 827 kPa)	
Dimensiones (Ancho X Profundidad X Altura)	27" X 28 3/8" X 44 1/2" (68.6 cm X 72.1 cm X 113 cm)	
Altura máxima con la tapa abierta	57 1/4" (145.3 cm)	
Peso neto	127.9 lb (58 kg)	123.5 lb (56 kg)
Velocidad máx. de centrifugado	800 RPM (±50 rpm)	

INSTALACIÓN

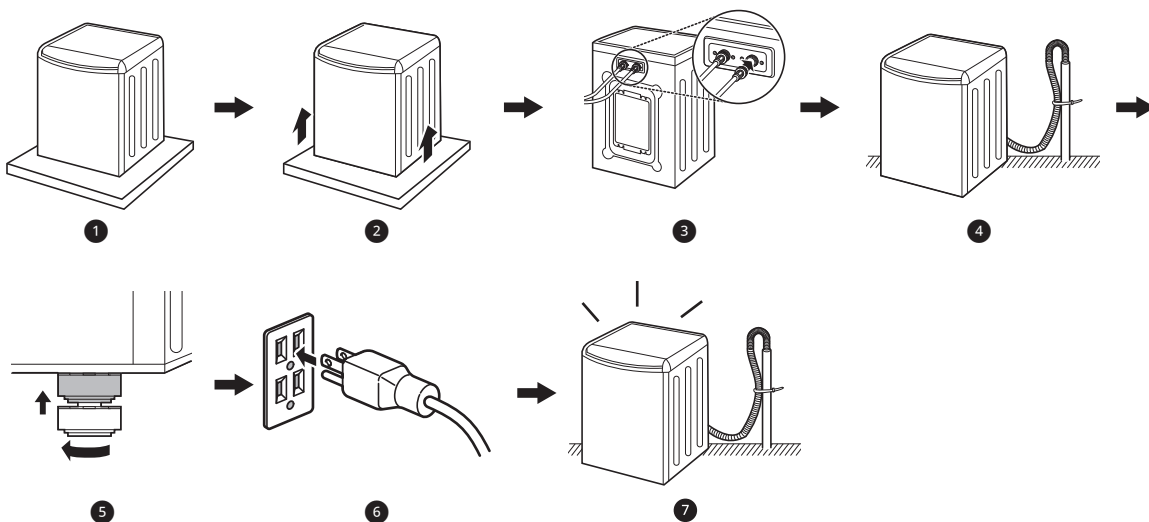
Antes de la instalación

⚠ ADVERTENCIA

- El traslado o la instalación del artefacto requieren de dos o más personas. El incumplimiento de estas instrucciones podría causar lesiones.
- Almacene e instale el artefacto donde no esté expuesto a temperaturas bajo cero ni a la intemperie. El incumplimiento de esta advertencia puede causar daños al producto o las piezas, lesiones graves, incendios, descargas eléctricas o la muerte.
- Conecte la lavadora a tierra adecuadamente, de acuerdo con todos los códigos y las ordenanzas vigentes. El incumplimiento de esta advertencia puede causar lesiones graves, incendios, descargas eléctricas o la muerte.
- Para reducir el riesgo de descargas eléctricas, no instale el artefacto en sitios húmedos. El incumplimiento de esta advertencia puede causar lesiones graves, incendios, descargas eléctricas o la muerte.
- Para garantizar una circulación de aire adecuada, no bloquee la abertura grande que se encuentra en la parte inferior de la lavadora con tapetes u otros materiales.
- No retire la clavija de conexión a tierra del cable de alimentación. No utilice un adaptador ni un cable de extensión. Conecte a un tomacorriente de 3 clavijas con conexión a tierra. El incumplimiento de esta advertencia puede causar lesiones graves, incendios, descargas eléctricas o la muerte.
- Intencionalmente, algunas piezas internas no tienen conexión a tierra y pueden presentar un riesgo de descarga eléctrica solo durante la reparación. Personal de reparación – no toque las siguientes piezas cuando el aparato esté recibiendo energía: bomba, motor, cubierta de filtro de ruido, cubierta protectora y calentador (en modelos aplicables).

Descripción general de la instalación

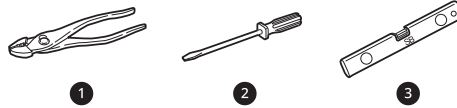
Lea las siguientes instrucciones de instalación inmediatamente después de adquirir esta lavadora o transportarla a otra ubicación.



- 1 Elección de la ubicación adecuada
- 2 Desempaque y retiro del material de transporte
- 3 Conexión de las mangueras de entrada de agua

- 4 Conexión de la manguera de desagüe
- 5 Nivelación de la lavadora
- 6 Conexión al suministro eléctrico
- 7 Revisión final de la instalación

Herramientas necesarias



- 1 Pinzas
- 2 Destornillador de hoja plana
- 3 Nivel

Elección de la ubicación adecuada

Revise los siguientes requisitos para la ubicación de instalación antes de instalar la lavadora.

- Permita que quede espacio suficiente entre los muros y la lavadora para su instalación.
- Asegúrese de que el piso esté limpio, seco y libre de polvo, suciedad, agua y aceite, para que las patas de nivelación no se deslicen fácilmente. Las patas de nivelación que se muevan o deslicen por el piso podrían contribuir a un exceso de vibración y ruido.
- Si el piso es demasiado flexible, refuércelo para volverlo más rígido. Si el piso no es sólido, se podrían generar vibraciones y ruidos intensos.

Tomacorriente

El tomacorriente debe estar ubicado dentro de un perímetro de **60 pulgadas (1.5 m)** de cualquiera de los lados de la lavadora.

- Coloque la lavadora de manera que se pueda acceder fácilmente al tomacorriente y el enchufe.
- No sobrecargue el tomacorriente conectándole más de un artefacto.
- El tomacorriente debe estar conectado a tierra según las regulaciones y los códigos de cableado eléctrico vigentes.
- Utilice un interruptor de circuito o un fusible de acción retardada.
- Es responsabilidad y obligación personal del propietario de la lavadora contar con un

tomacorriente adecuado que haya sido instalado por personal de servicio calificado.

Suelo

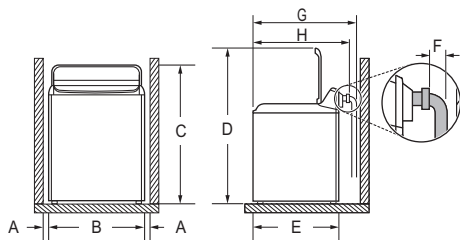
- Para minimizar ruidos y vibraciones, instale la lavadora en un piso sólidamente construido y a nivel, que pueda brindar soporte a la lavadora sin hundirse ni rebotar.
- La lavadora debe instalarse en un suelo firme para minimizar la vibración que se produce durante el centrifugado. Los pisos de concreto son los más indicados, pero un piso de madera es suficiente, siempre y cuando esté construido conforme a las normas de la FHA.
- El piso debajo de la lavadora no debe tener una pendiente de más de **1 pulgada (2.5 cm)** de lado a lado o de adelante hacia atrás.
- No se recomienda su instalación en superficies cubiertas por alfombras o baldosas blandas.
- Nunca instale la lavadora sobre una plataforma ni sobre una estructura de soporte débil.

Instalación en el piso

Para garantizar el espacio suficiente para las mangueras de entrada de agua y desagüe, y para la circulación de aire, deje un espacio de, al menos, **1 pulgada (2.5 cm)** a cada lado y **4 pulgadas (10 cm)** detrás de la lavadora. Asegúrese de tener en cuenta las molduras de pisos, puertas o muros que podrían aumentar los espacios necesarios.

12 INSTALACIÓN

El espacio vertical mínimo del piso a los estantes superiores, gabinetes, techos, etc., es de **58 pulgadas (147 cm)**.



Dimensiones y espacios	
A	1" (2.5 cm)
B	27" (68.6 cm)
C	44 1/2" (113 cm)
D	57 1/4" (145.3 cm)
E	26 3/4" (68 cm)
F	3 1/2" (9 cm)
G	32" (81.1 cm)
H	28 3/8" (72.1 cm)

Desempaque y retiro del material de transporte

Retire todo el material de transporte de la lavadora para su adecuada operación y verifique que no haya daños provocados durante el envío.

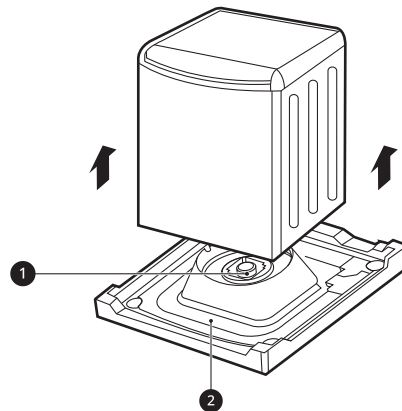
⚠ PRECAUCIÓN

- No remover el material de transporte podría causar ruido y vibración excesiva.

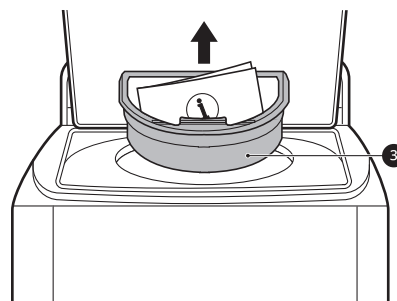
Desempaque del material de transporte

- Levante la lavadora para quitarla de la base de espuma.
 - Luego de quitar el cartón y el material de transporte, levante la lavadora de la base de espuma.
 - Asegúrese de quitar el soporte plástico de la tina ① junto con la base y que no quede atascado en la parte inferior de la lavadora.
 - Si debe recostar la lavadora para retirar la base de cartón ②, siempre proteja sus lados y recuéstela con cuidado sobre un

costado. No apoye la lavadora sobre su parte posterior o frontal.



- Quite el inserto de espuma de la tina.
 - Para evitar daños, no remueva de la tina el inserto de espuma ③ que contiene el manual del usuario, las piezas y las muestras de productos de limpieza hasta que la lavadora se encuentre en su ubicación final.

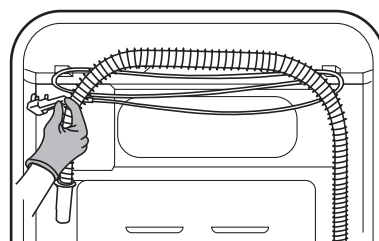


NOTA

- Una vez removido, guarde el inserto de espuma para su futuro uso. Si necesitara mover la lavadora, el inserto de espuma lo ayudaría a prevenir daños durante el transporte.

- Desabroche el cable de alimentación.

- Desabroche el cable de alimentación de la parte trasera de la lavadora.



Conexión de las mangueras de entrada de agua

Para evitar costosos daños relacionados a las líneas de agua, compre e instale mangueras de entrada nuevas al momento de instalar la lavadora.

⚠ ADVERTENCIA

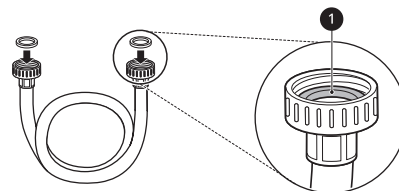
- No apriete extremadamente ni cruce los conectores de las mangueras. Al apretar en extremo o cruzar los conectores se pueden dañar las válvulas o los acoplamientos y esto podría resultar en fugas y daños a la propiedad.
- No reutilice mangueras viejas. Utilice únicamente nuevas mangueras al instalar la lavadora. Las mangueras viejas podrían tener fugas o estallar causando una inundación y daño a la propiedad. Contacte al Centro de Información al Cliente de LG para asistencia en la compra de mangueras.

NOTA

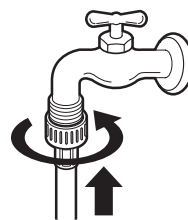
- Revise periódicamente las mangueras para detectar rajaduras, fugas y desgaste, y reemplácelas cada cinco años.
- No estire intencionalmente las mangueras de agua y asegúrese de que no estén apretadas, aplastadas ni plegadas por otros objetos.
- La presión del suministro de agua debe ser de entre **20 psi y 120 psi (138 - 827 kPa)**. Si la presión del suministro de agua es mayor que **120 psi**, se debe instalar una válvula reductora.
- El calentador de agua caliente se debe ajustar para que suministre agua a una temperatura de **120 - 135°F (48 - 57°C)** a fin de controlar las temperaturas de lavado de manera correcta.
- No almacene ni instale la lavadora en un sitio sujeto a temperaturas de congelamiento. Esto puede provocar daños a las mangueras de entrada de agua y a los mecanismos internos de la lavadora. Si esta estuvo expuesta a temperaturas de congelamiento antes de su instalación, déjela a temperatura ambiente durante varias horas antes de utilizarla y compruebe que no presente fugas antes de ponerla en funcionamiento.
- No utilice mangueras de prevención de inundaciones con dispositivos de cierre automático. Estos podrían activarse durante el llenado y evitar que se llene apropiadamente la lavadora.

Cómo conectar las mangueras de entrada de agua

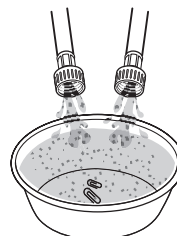
- 1 Verifique los conectores y los sellos.
 - Inspeccione el conector roscado de cada manguera y asegúrese de que cada una cuente con un sello de goma **1** colocado en cada extremo para evitar fugas.



- 2 Conecte las mangueras de suministro de agua.
 - Conecte las mangueras de suministro de agua a las llaves de paso de agua caliente y fría y apriete las conexiones manualmente y luego utilice unas pinzas para apretarlas otros 2/3 de vuelta.
 - Conecte la manguera azul a la llave de agua fría y la manguera roja a la llave de agua caliente.

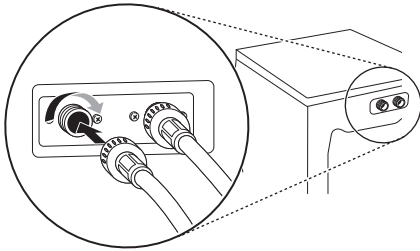


- 3 Una vez que las mangueras estén conectadas, abra las llaves de agua y enjuague toda sustancia extraña, como suciedad, arena y aserrín.
 - Drene el agua en una cubeta y verifique la temperatura del agua a fin de asegurarse de haber conectado las mangueras a las llaves de paso correctas.



14 INSTALACIÓN

- 4** Fije las mangueras de entrada a la parte posterior de la lavadora.
- Fije la manguera de entrada de agua caliente a la entrada de agua caliente de la parte posterior de la lavadora. Fije la manguera de entrada de agua fría a la entrada de agua fría de la parte posterior de la lavadora.
 - Ajuste los conectores para asegurarlos bien. Abra por completo ambas llaves y verifique que no existan fugas en los dos extremos de las mangueras.



Conexión de la manguera de desagüe

La manguera de drenaje puede ser instalada utilizando un tubo independiente o un lavabo.

⚠ ADVERTENCIA

- La manguera de desagüe siempre debe estar conectada adecuadamente. Si la conexión de la manguera de desagüe no se encuentra bien asegurada, podrían producirse inundaciones y daños a la propiedad.

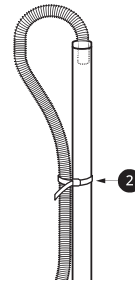
NOTA

- El desagüe debe estar instalado según las regulaciones y los códigos locales vigentes.
- Asegúrese de que la manguera de desagüe no se encuentre estirada, pellizcada, aplastada ni plegada.
- El extremo de la manguera de drenaje debe estar ubicado un mínimo de **29.5" (75 cm)** y un máximo de **96" (244 cm)** por encima de la parte inferior de la lavadora.
- Para obtener mejores resultados, ubique el extremo de la manguera de drenaje a no más de **66" (168 cm)** por encima de la parte inferior de la lavadora. A medida que la salida de drenaje se eleva más de **66" (168 cm)**, la función de drenaje se verá cada vez más afectada.
- Nunca genere un sello hermético entre la manguera y el desagüe utilizando cinta u otros medios. Si no existe una trampa de aire, se

puede producir un sifón y el agua puede ser bombeada desde la cuba, lo que provocará que el desempeño de lavado o enjuague sea deficiente o que las prendas se dañen.

Uso de un tubo independiente para drenaje

- 1** Inserte el extremo de la manguera de desagüe en el tubo independiente.
- 2** Utilice la correa proporcionada **1** para fijar la manguera de desagüe en su lugar.



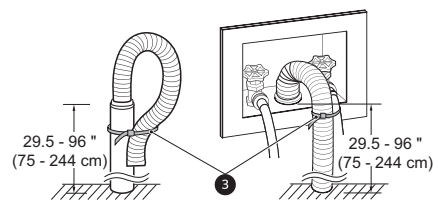
- 3** Si las válvulas de agua y de drenaje están integradas a la pared, ajuste la manguera de desagüe a unas de las mangueras de agua con la correa proporcionada **2** (lado acanalado hacia dentro).

⚠ PRECAUCIÓN

- No introduzca el extremo de la manguera de drenaje al tubo vertical más de **8 pulgadas (20 cm)**. Hacerlo podría causar sifoneo, malos olores, o drenaje inapropiado.

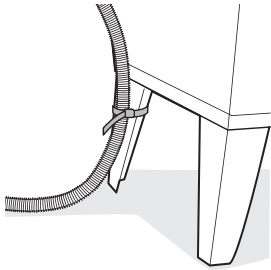
NOTA

- Si el drenaje es lo suficientemente grande para que la brida de la manguera quepa dentro de él, no introduzca la brida más de 1 o 2 pulgadas.



Utilización de un lavabo para el drenaje

- 1 Cuelgue el extremo de la manguera de desagüe sobre el borde del lavabo.
- 2 Utilice la correa proporcionada para asegurar la manguera de desagüe en su lugar.



Nivelación de la lavadora

La tina de la lavadora gira a velocidades muy altas. Para minimizar el ruido, la vibración y los movimientos no deseados, la lavadora debe ser instalada en una superficie sólida y nivelada.

⚠ PRECAUCIÓN

- Si se utiliza la lavadora sin nivelarla, se pueden producir excesos de vibración y ruido y causar problemas en su funcionamiento.
- Ajuste las patas de nivelación solo en la medida necesaria para nivelar la lavadora. Si las patas de nivelación tienen más altura de la necesaria, se pueden producir vibraciones.

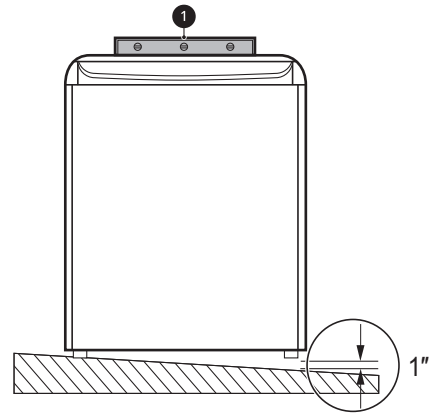
NOTA

- Antes de instalar la lavadora, asegúrese de que el piso esté limpio, seco y libre de polvo, suciedad, agua y aceite, para que las patas de la lavadora no se deslicen fácilmente. Las patas que se muevan o deslicen por el piso podrían provocar un exceso de vibración y ruido.

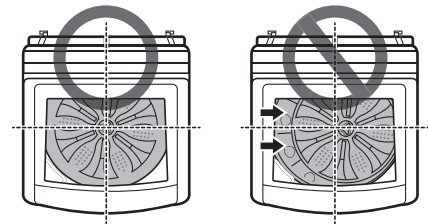
Nivelación de la lavadora

- 1 Coloque la lavadora en su ubicación final.
 - Tenga especial cuidado en no pellizcar, estirar o aplastar las mangueras de suministro de agua y drenaje. Si tiene un nivel de carpintero ①, puede usarlo para comprobar que la lavadora esté nivelada. La pendiente bajo la lavadora no debe superar

1 pulg., y los 4 patas de nivelación deben estar firmemente apoyadas en el suelo.

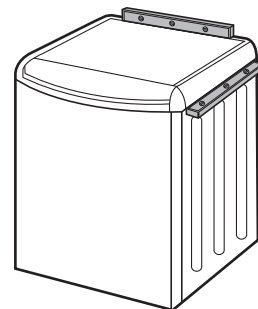


- 2 Abra la tapa y vea desde arriba, para verificar que la tina esté centrada.
 - Si la tina no está centrada, reajuste las patas frontales. Si tiene un nivel, verifique la lavadora con él.



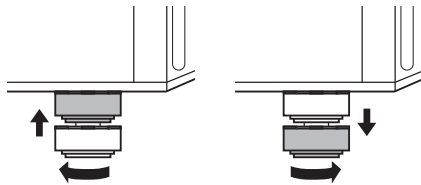
NOTA

- Para verificar que la lavadora esté nivelada de lado a lado, coloque un nivel en el borde trasero de la tapa.
- Para verificar que la lavadora esté nivelada del frente hacia atrás, coloque un nivel en el borde donde el lado del gabinete alcanza la cubierta superior. No coloque el nivel en la superficie de la tapa. El uso de estas superficies podría provocar el desnivelado de la lavadora.



3 Ajuste las patas de nivelación.

- Gire las 4 patas de nivelación en una dirección para subir la lavadora y en la otra dirección para bajarla.



4 Vuelva a comprobar la nivelación de la lavadora.

- Empuje o mueva suavemente los bordes superiores de la lavadora, para asegurarse de que esta no se balancee. Si la lavadora se balancea, reajuste las patas de nivelación.
- Si la tapa no queda abierta de forma apropiada, extienda las patas de nivelación frontales hasta que la lavadora esté nivelada de adelante hacia atrás.

Revisión final de la instalación

Conexión al suministro eléctrico

Enchufe la lavadora en un tomacorriente de 120 V CA, 60 Hz, de 3 clavijas con conexión a tierra.

⚠ ADVERTENCIA

- No utilice cables o enchufes de alimentación gastados o dañados. Remplácelos o repárelos de inmediato. No hacerlo podría provocar un accidente mortal, un incendio, descarga eléctrica o problemas en el funcionamiento del aparato.
- No modifique el enchufe y el cable de alimentación proporcionados con el artefacto. No los dañe cuando instale o traslade la lavadora. Si se producen daños, puede provocar muerte, incendios, descargas eléctricas o mal funcionamiento del artefacto.
- Asegúrese de que el artefacto esté conectado a tierra.
- Conecte este artefacto a un tomacorriente con conexión a tierra acorde a su clasificación antes del uso. No hacerlo podría provocar un incendio, descarga eléctrica o problemas en el funcionamiento del aparato.
- No dañe ni corte la clavija de conexión a tierra del cable de alimentación. Si lo hace podría provocar un accidente mortal, un incendio,

descarga eléctrica o problemas en el funcionamiento del aparato.

- La conexión inadecuada del conductor de conexión a tierra puede resultar en riesgo de choque eléctrico. Pregunte a un electricista calificado o a un técnico de servicio si no está seguro si el artefacto está adecuadamente conectado a tierra. Si el enchufe no entra en el tomacorriente, un electricista calificado debe instalarle una toma eléctrica apropiada.
- El artefacto y el tomacorriente deben estar ubicados de manera tal que se pueda acceder al enchufe fácilmente.
- No utilice un adaptador ni cables de extensión. De lo contrario, esto podría provocar lesiones graves, un incendio, una descarga eléctrica o la muerte.
- Para un mejor rendimiento, conecte el aparato en una toma de corriente individual exclusiva. Esto ayuda a evitar la sobrecarga de los circuitos eléctricos de la casa, lo que podría causar un peligro de incendio por sobrecalentamiento de los cables.
- Si fuera necesario, utilice un enchufe de 3 clavijas (conexión a tierra), nuevo y homologado por UL, con una clasificación no menor a la del circuito derivado. No utilice un cable de extensión de una longitud mayor a 3 pies. El incumplimiento de estas advertencias puede resultar en lesiones graves, incendios, descargas eléctricas o la muerte.

Prueba de la lavadora

Verifique que la lavadora esté correctamente instalada y ejecute un ciclo de prueba.

- 1 Asegúrese de que la tina esté vacía. No cargue nada en la tina para esta prueba. Asegúrese de que las llaves de paso del agua para la lavadora estén completamente abiertas.
- 2 Presione el botón de **Encendido/Apagado**.
- 3 Mantenga presionados los botones **Spin (Centrifugado)** y **Soil (Suciedad)** simultáneamente hasta que aparezca un código **In 5** en la pantalla.
 - **In 5** se muestra primero, y **5**, **50** o **5E** se muestra después.
 - **In 5** : Prueba inicial

- In 50 : El resultado de la prueba anterior fue bueno.
- In 5E : la prueba anterior finalizó con un error.
- La indicación es diferente para cada modelo.

4 Presione el botón de **Inicio/Pausa**.

- La prueba se ejecutará durante unos 3 minutos.
- La prueba revisa automáticamente las mangueras de entrada de agua y la manguera de drenaje.

5 Verifique la pantalla para ver los resultados.

6 Al finalizar el ciclo de prueba, se mostrará End o 0 en pantalla. La lavadora se apagará automáticamente luego de una pequeña pausa.

Códigos de error de la verificación de instalación

Refiérase a la tabla que se encuentra a continuación antes de llamar al servicio técnico.

Código de error	Solución
I E	<ul style="list-style-type: none"> • Abra por completo la llave de agua. • Enderece cualquier retorcimiento en las mangueras de entrada y asegúrese de que estas no estén apretadas contra la pared o debajo de la lavadora.
0E	<ul style="list-style-type: none"> • Enderece cualquier retorcimiento en la manguera de drenaje y asegúrese de que estas no estén apretadas contra la pared o debajo de la lavadora. • Retire y enjuague la manguera de drenaje para quitar las obstrucciones. • Ajuste o repare el drenaje. La altura máxima del drenaje es de 96 pulgadas.

FUNCIONAMIENTO

Antes de utilizarlo

ADVERTENCIA

- Para reducir el riesgo de incendios, descargas eléctricas o lesiones a las personas, lea las **INSTRUCCIONES DE SEGURIDAD** antes de operar este artefacto.

Funcionamiento general

1 Clasificación y carga de la lavadora.

- Clasifique sus prendas a lavar por tipo de tela, nivel de suciedad, color y tamaño de la carga. Abra la tapa y cargue los artículos en la lavadora.
- Si utiliza paquetes de detergente de un solo uso, o detergentes en gel o en tabletas, colóquelos en el tambor antes de añadir sus prendas.

2 Agregue productos de limpieza.

- Añada la cantidad apropiada de detergente de alta eficiencia (HE) al dispensador de detergente.
- Si así lo desea, añada blanqueador o suavizante en los dispensadores correspondientes.
- No coloque paquetes de detergente líquido o en polvo, o detergentes en tabletas o en gel en el dispensador.

3 Encendido de la lavadora.

- Presione el botón de **Encendido/Apagado** para encender la lavadora.
- Las luces arriba de los botones de los ciclos se iluminarán y sonará una alarma.

4 Seleccione un ciclo.

- Gire la perilla selectora de ciclos o presione los botones de ciclos repetidamente hasta que se seleccione el ciclo deseado.
- La configuración predeterminada de temperatura de lavado, velocidad de centrifugado, nivel de suciedad y opción se muestran para el ciclo seleccionado.
- El ciclo **Normal** debe seleccionarse para cambiar sus configuraciones predeterminadas.

- Presionar el botón de **Inicio/Pausa** sin seleccionar un ciclo inmediatamente inicia el ciclo **Normal** con las configuraciones predeterminadas.

5 Ajuste la Configuración.

- Pueden modificarse las configuraciones predeterminadas del ciclo seleccionado, si así se lo desea, con los botones de opción y de modificación de ciclo.
- No todas las modificaciones y opciones están disponibles para todos los ciclos. Sonará una alarma diferente y el indicador LED no se enciende si la selección no está permitida.

6 Comienzo del ciclo.

- Presione el botón **Inicio/Pausa** para iniciar el ciclo. La tapa se traba y la lavadora se agita brevemente sin agua para medir el peso de la carga.
- Si el botón de **Inicio/Pausa** no es presionado dentro de cierto tiempo, la lavadora se apagará automáticamente y todas las configuraciones se perderán.

NOTA

- Debe mantener presionado el botón de **Encendido/Apagado** cuando apague el electrodoméstico. Esto ayuda a evitar que se apague accidentalmente durante un ciclo.

7 Si es necesario, añada artículos al tambor mientras la luz de **Add Garments (Añadir prendas)** está encendida.

- Esta luz se enciende al comienzo del ciclo de lavado para indicar cuándo es seguro añadir artículos al tambor.
- Presione el botón **Inicio/Pausa** para pausar el ciclo y añadir artículos al tambor. Presione el botón **Inicio/Pausa** para reanudar el ciclo.
- Si añade artículos después de que la luz **Add Garments (Añadir prendas)** se haya apagado, puede que no obtenga un buen rendimiento de lavado.

- 8** Fin de ciclo.
- Una melodía sonará cuando el ciclo haya finalizado. Remueva inmediatamente las prendas de la lavadora para reducir las arrugas.
 - Si la lavadora cuenta con filtros de pelusa, recuerde revisarlos cada 2 o 3 cargas.

Clasificación de prendas

PRECAUCIÓN

- La lavadora puede llenarse por completo, pero el tambor no debe quedar demasiado lleno de artículos. La tapa de la lavadora debe cerrarse fácilmente.
- Utilice el ciclo **Bedding** para artículos flotantes o no absorbentes, como almohadas o edredones. El incumplimiento de esta precaución puede provocar fugas.
- Prendas o artículos impermeables o resistentes al agua se deben lavar solamente en el ciclo **Waterproof**. (Los ejemplos incluyen: prendas resistentes al agua, fundas para colchones, ropa para exteriores y tapetes plásticos) El uso de otro ciclo podría producir una herida o causarle daños a la lavadora, a las prendas, las paredes, el piso y a objetos circundantes debido a la vibración anormal.

Conjuntos de prendas similares

Para obtener los mejores resultados de lavado y para reducir la posibilidad de daños en las prendas, agrupe la ropa en cargas de prendas de características similares.

Si se mezclan telas o niveles de suciedad diferentes, el resultado puede ser un lavado deficiente, transferencia de colores, decoloración, daño de las prendas o que se desprendan pelusas. Las telas deben clasificarse en grupos tal como se describe a continuación.

Colores

Clasifique las prendas según su color. Lave la ropa oscura separada de los colores claros o blancos. Si se mezclan prendas de colores oscuros con prendas de colores claros, puede ocurrir transferencia de tinte o decoloración en la ropa más clara.

Nivel de suciedad

La ropa muy sucia debe lavarse junta. Si lava las prendas con menor suciedad en la misma carga que la ropa muy sucia, el resultado puede ser un

lavado deficiente de las prendas de menor suciedad.

Tipo de tela

Las prendas delicadas no deben mezclarse con las prendas de telas más resistentes o pesadas. Si lava prendas de telas pesadas con ropa delicada, el resultado puede ser un lavado deficiente de la ropa de tela pesada y es posible que se dañen las prendas delicadas.

Telas que atraen o despiden pelusa

Algunas telas atraen pelusa y esta se adhiere a ellas, mientras que otras despiden pelusas en el proceso de lavado. Evite mezclar en la misma carga ropa a la que se adhiere la pelusa con ropa que despida pelusas. Mezclar estos materiales puede tener como resultado que, en las prendas que atraen pelusa, se formen bolitas y que estas ropas se llenen de pelusa. (Por ejemplo, prenda a la que se le adhiere la pelusa: suéter tejido; prenda que despiden pelusas: toalla de tejido esponjoso).

Cómo clasificar las prendas

Por Colores	Por nivel de suciedad	Por tela	Según la pelusa
Blancas	Muy sucias	Delicadas	Que despide pelusa
Colores claros	Normal	Cuidado fácil	Que recoge pelusa
Oscuras	Ligera	Resistente	

Etiquetas de cuidado de las prendas

Muchas prendas incluyen una etiqueta de cuidado de telas. Utilizando el siguiente cuadro, ajuste el ciclo y las opciones a manera de cuidar de sus prendas de acuerdo a las recomendaciones del fabricante.

Categoría	Etiqueta	Indicaciones
Lavado		Lavado a mano
		Lavado en lavadora, Ciclo normal
		Configuración Planchado permanente/ Resistente a las arrugas (que tiene un rociado fresco o frío antes de un centrifugado más lento)
		Suave/Delicado (agitación lenta y/o menor tiempo de lavado)
		No lavar
		No retorcer
Temperatura del agua	...	Caliente
	..	Tibia
	.	Fría
Símbolos sobre blanqueador		Cualquier blanqueador (cuando sea necesario)
		Solo blanqueador sin cloro (cuando sea necesario)
		No usar blanqueador

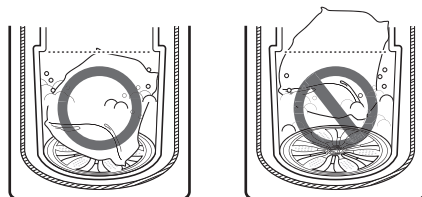
Carga de la lavadora

Consejos generales

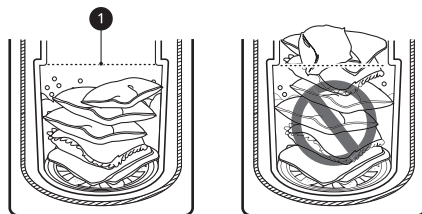
- Revise y vacíe los bolsillos. Los ganchos para papel, las monedas, los fósforos y otros elementos pueden dañar las prendas y la lavadora.
- Asegúrese de que los zípers y los ganchos de la ropa estén cerrados y amarre cualquier cordón para evitar que las prendas se enganchen o enreden.
- Para mejores resultados, trate previamente las áreas con manchas difíciles.
- Con un cepillo, quite el polvo, los pelos y la suciedad más densa de los artículos antes de lavarlos. El exceso de suciedad o arena puede raspar otras telas y causar un lavado deficiente.
- Combine prendas grandes y pequeñas en el tambor. Primero, cargue la ropa más grande.

Las prendas grandes no deben representar más de la mitad de la carga total.

- Para mejores resultados, cargue solo los artículos secos. Si lava artículos muy húmedos, exprima el exceso de agua antes de cargar o ejecute un ciclo de **Spin Only (Centrifugado solamente)** para extraer el exceso de agua antes de agregar detergente y comenzar el ciclo deseado.
- La lavadora puede llenarse por completo, pero el tambor no debe quedar demasiado lleno de artículos. La tapa de la lavadora debe cerrar fácilmente.



- La lavadora no se llenará ni operará con la tapa abierta.
- No sobrecargue la bañera. La ropa debe quedar holgada en la bañera debajo de la línea de llenado máximo **1**. Cargar la ropa sobre la línea de llenado puede dañar la ropa y la lavadora.
 - No presione hacia abajo los artículos mientras los apila en el tambor.
 - Cargue las prendas holgadamente, y no llene demasiado el tambor. Para una correcta limpieza, las prendas necesitan espacio para circular.



Artículos voluminosos

- No lave almohadas o cojines enteros. Retire los insertos de almohadas o cojines y lave solo las fundas.
- Utilice el ciclo **Bedding (Ropa de cama)** para artículos largos o voluminosos como chaquetas poli-leno, edredones, almohadas, etc. Estos artículos no son tan absorbentes como otros y deben agregarse a una carga separada a manera de obtener los mejores resultados.
- Los artículos voluminosos deben colocarse hasta abajo del tambor para obtener los mejores resultados. Siempre coloque artículos boyantes

al fondo del tambor. La lavadora detectará automáticamente el tamaño de la carga. Debido al sistema de alta eficiencia de lavado, el nivel de agua podría no cubrir completamente la carga.

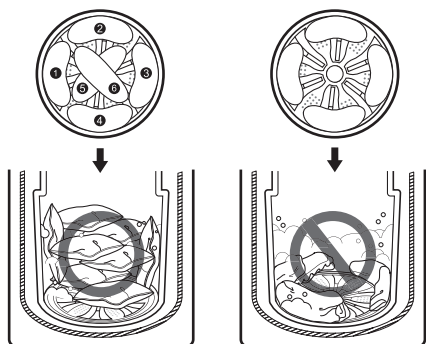
Prendas pequeñas

- No lave prendas pequeñas individualmente. Agregue suficientes prendas similares a la carga para evitar que quede desequilibrada.
- Lave artículos pequeños y livianos en una bolsa de malla. Artículos pequeños podrían atorarse en el propulsor al fondo de la tina, y los ganchos de sostenes podrían dañar otros artículos.

Consejos generales para modelos con impulsor

Si el aparato utiliza un cubo giratorio de bajo perfil en el tambor, siga estas instrucciones al cargar la lavadora.

- Para un mejor rendimiento, cargue la ropa como se muestra.



- Lave las prendas gruesas y voluminosas de manera individual. Las cobijas, los edredones y las colchas pesadas o las camas para mascotas pueden enredarse o provocar una carga desequilibrada si se combinan con otros artículos.

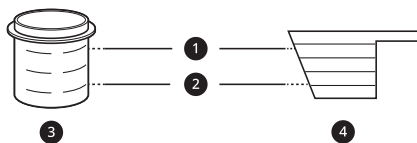
Agregado de productos de limpieza

Acerca del uso de detergente

Esta lavadora está diseñada para ser usada únicamente con detergentes de alta eficiencia (HE).



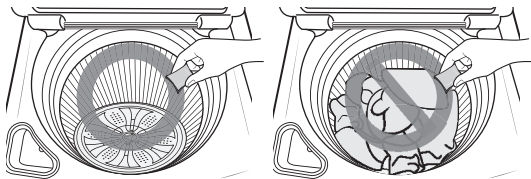
- Los detergentes de alta eficiencia (HE) producen menos espuma, se disuelven mejor a fin de optimizar el rendimiento del lavado y el enjuague, y ayudan a mantener limpio el interior de la lavadora. El empleo de un detergente que no sea de alta eficiencia puede producir demasiada espuma y un mal desempeño, causando errores, fallas en los ciclos y daños a la lavadora.
- Puede que detergentes designados como Compatibles con HE no provean resultados óptimos.
- Para lograr un buen desempeño de lavado, siempre mida la cantidad de detergente usando el dispositivo de medición provisto por el fabricante del detergente. Para una carga promedio, use menos de la mitad del máximo recomendado. Use menos detergente para aguas blandas, ropas con poca suciedad o cargas reducidas.
- Preste atención especial al medir detergentes concentrados 2X y 3X porque incluso agregar solo un poco más de detergente podría provocar problemas.
- Nunca utilice una cantidad de detergente superior al máximo recomendado por el fabricante. Usar una cantidad excesiva de detergente puede producir demasiada espuma, un enjuague deficiente, acumulación de detergente en la ropa y acumulación de residuos que contribuyen a que se produzcan olores en la lavadora.
- No utilice más de un paquete de detergente de un solo uso o más de una tableta de detergente en la lavadora. El uso de demasiado detergente podría generar un exceso de espuma y afectar el rendimiento del lavado. Reduzca la cantidad de detergente o añada un enjuague extra si hay residuos de este en los tejidos. Para añadir un enjuague extra, seleccione la opción **Extra Rinse (Extra enjuague)**.



- ① Línea de llenado máximo
- ② Línea de llenado de carga promedio
- ③ Detergente líquido
- ④ Detergente en polvo

Detergentes en tabletas, en gel o paquetes de detergente de un solo uso

Coloque los paquetes de detergente líquido o en polvo, o detergentes en gel o tabletas en el tambor antes de cargar las prendas. No coloque estos detergentes en el dispensador.



Acerca de los Dispensadores

El dispensador automático cuenta con dos compartimientos para contener:

- Suavizante líquido
- Detergente líquido o en polvo para el lavado principal

⚠ PRECAUCIÓN

- No coloque ni almacene productos de lavandería, como detergente, blanqueador o suavizante líquido, en la parte superior de la lavadora. Estos productos pueden dañar los controles y el acabado de la lavadora.

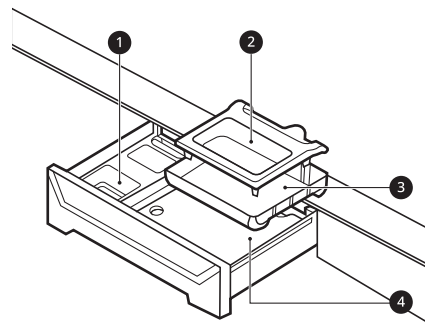
NOTA

- Siga las recomendaciones del fabricante cuando añada productos de limpieza.

Uso de la bandeja del dispensador de detergente y suavizante

Para añadir detergente y suavizante a la bandeja del dispensador automático:

- 1 Abra la bandeja del dispensador.
- 2 Cargue los productos de lavandería en los compartimientos adecuados.



- 1 Compartimiento de suavizante líquido
- 2 Compartimiento de detergente líquido para el lavado principal
- 3 Inserto
- 4 Compartimiento de detergente en polvo para el lavado principal

3 Cierre lentamente la bandeja dispensadora de detergente previo a iniciar el ciclo.

- Cerrar la bandeja dispensadora de detergente con mucha fuerza puede causar el desbordamiento del detergente en otro compartimiento o que éste ingrese a la tina antes de lo programado.
- Tenga cuidado de no prensar su mano al cerrar la bandeja.
- Es normal que quede una pequeña cantidad de agua en los compartimientos del dispensador al final del ciclo.

Compartimiento de detergente para lavado principal

En este compartimiento se coloca el detergente para lavadoras correspondiente al ciclo de lavado principal. En este compartimiento puede utilizarse tanto detergente líquido como en polvo.

- El detergente se agrega a la carga al inicio del ciclo. Siempre utilice detergente de alta eficiencia (HE) en su lavadora.
- No sobrepase la línea de llenado máximo. El uso de una cantidad excesiva de detergente puede ocasionar una acumulación de detergente en las prendas y en la lavadora.
- Puede agregar blanqueador protector de color líquido o en polvo en el compartimiento para el lavado principal junto con un detergente del mismo tipo. No mezcle polvos con líquidos.

- Si utiliza detergente líquido, asegúrese de que el recipiente para detergente líquido y el accesorio estén en su sitio.
- Cuando utilice detergente en polvo, retire el accesorio y el recipiente de detergente líquido del dispensador. El detergente en polvo no ingresará a la lavadora si están colocados el accesorio y el recipiente de detergente líquido.
- Si utiliza un detergente que no se disuelve fácilmente o un detergente de alta viscosidad, éste dejará residuos y obstruirá el dispensador.

Compartimiento de suavizante

Este compartimiento contiene suavizante líquido, el cual se dispensa automáticamente durante el ciclo de enjuague final.

- No sobrepase la línea de llenado máximo. El uso de una cantidad excesiva de suavizante puede manchar las prendas.
- Diluya en agua caliente los suavizantes concentrados.
- Nunca vierta el suavizante directamente sobre las prendas o en la tina.

Utilizando el Dispensador de Blanqueador Líquido

El dispensador de blanqueador es un compartimiento separado que se encuentra al frente a la izquierda de la apertura de la tina.

⚠ ADVERTENCIA

- No mezcle cloro con amoníaco o ácidos, como por ejemplo vinagre o removedores de óxido o desincrustantes. La mezcla de productos químicos como los mencionados puede producir gases letales, que provocan lesiones graves o la muerte.

NOTA

- No añada blanqueador en polvo a este dispensador. El dispensador de blanqueador está diseñado para dispensar únicamente blanqueador líquido. Blanqueador en polvo o para tejidos de color no se dispensará apropiadamente.
- No coloque artículos de lavado sobre el dispensador de blanqueador al momento de cargar o descargar la lavadora.
- Nunca añada más de **una taza** de blanqueador ni exceda la línea de llenado máximo ya que esto puede provocar que el blanqueador se dispense

de inmediato. El uso excesivo de blanqueador puede dañar las telas.

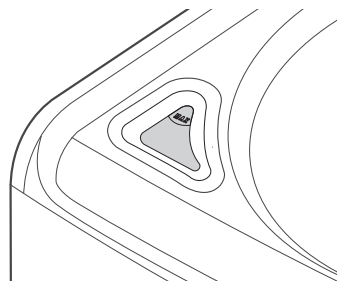
- Nunca vierta blanqueador líquido sin diluir directamente sobre las prendas o en la tina. Podría dañar los tejidos.
- No utilice blanqueador protector de color o productos Oxi en un ciclo de lavado en el que utilice blanqueador de cloro líquido.

- 1 Revise las instrucciones especiales en las etiquetas de cuidado de las prendas.
- 2 Mida cuidadosamente la cantidad de blanqueador líquido siguiendo las instrucciones en la botella.
 - Las lavadoras de alta eficiencia utilizan menos agua, por lo que se requiere menos blanqueador. **Media taza** es suficiente para la mayoría de cargas.
- 3 Vierta cuidadosamente la cantidad pre-medida de blanqueador directamente en el dispensador de blanqueador.
 - Si está utilizando blanqueador en polvo de cualquier tipo, viértalo directamente en la tina previo a añadir las prendas de lavado.
 - Nunca añada blanqueador en polvo al dispensador de blanqueador líquido.

Dispensador automático de blanqueador

En algunos modelos, el dispensador de blanqueador está conectado a la válvula de entrada. El blanqueador se diluye y dispensa automáticamente en el momento adecuado durante el ciclo de lavado.

- El dispensador se activa dos veces para asegurar el dispensado completo del blanqueador. Cualquier líquido que quede en él al finalizar el ciclo es agua, no blanqueador.



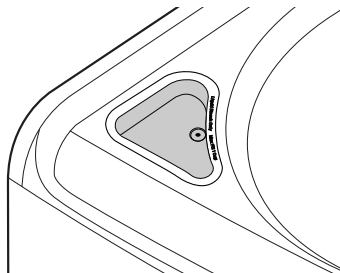
Dispensador inmediato de blanqueador

En algunos modelos, cuando vierta el blanqueador en el dispensador, éste se agrega inmediatamente

24 FUNCIONAMIENTO

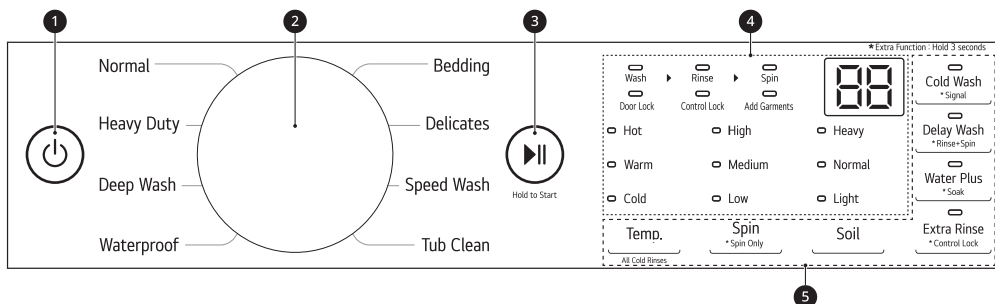
al tambor a medida que se llena de agua, diluyendo de manera prudente el blanqueador.

- La cubierta del dispensador no puede ser removida. Utilice una toalla de papel húmeda para limpiarla.



Panel de control

Funciones del panel de control



1 Botón de Encendido/Apagado

- Presione este botón para encender o apagar la lavadora.
- Presionar este botón durante un ciclo cancelará ese ciclo y se perderá cualquier configuración ingresada.
- La puerta se destrabará luego de una breve pausa.

NOTA

- Si queda agua en el tambor después de que se apaga la lavadora, el agua se drenará después de un tiempo de retraso. La lavadora puede reiniciarse en cualquier momento antes de que comience el drenaje. Sin embargo, una vez que comienza a drenarse el agua, se suspenderán todas las funciones hasta que se haya drenado el agua completamente y la lavadora se apague.

2 Perilla selectora de ciclos

- Gire esta perilla para seleccionar el ciclo deseado.
- Una vez haya seleccionado el ciclo deseado, se mostrarán las configuraciones predeterminadas en la pantalla. Estas configuraciones pueden ajustarse usando los **Botones modificadores de ciclo** en cualquier momento antes de iniciar el ciclo.

3 Botón de Inicio/Pausa

- Presione este botón para iniciar el ciclo seleccionado.
- Si la lavadora está funcionando, utilice este botón para pausar el ciclo sin perder las configuraciones actuales.

NOTA

- Si no se presiona el botón de **Inicio/Pausa** para iniciar el ciclo seleccionado, después de un tiempo de retraso la lavadora se apaga automáticamente y todas las configuraciones del ciclo se perderán. Se drenará el agua que quede en el tambor.

4 Pantalla de tiempo y estado

- La pantalla muestra las configuraciones, el tiempo restante estimado, las opciones y los mensajes de estado de la lavadora.

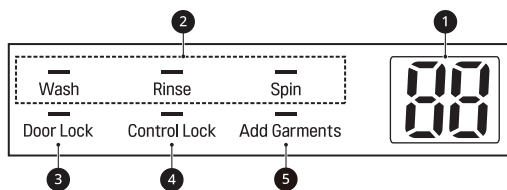
5 Botones modificadores de ciclo

- Use estos botones para ajustar las configuraciones de temperatura de lavado, velocidad del centrifugado y nivel de suciedad para el ciclo seleccionado.
- Las configuraciones actuales se muestran en la pantalla.
- Presione el botón para esa opción a fin de seleccionar otras configuraciones.

6 Botones de Opción y Función adicional

- Estos botones le permiten seleccionar opciones adicionales para el ciclo. Algunos botones también le permiten activar funciones especiales al mantenerlos presionados por **3 segundos**.

Pantalla de tiempo y estado



1 Tiempo restante estimado

- Cuando un ciclo se ha seleccionado, el tiempo predeterminado para éste se mostrará. Este tiempo cambiará conforme se seleccionen modificadores u opciones.
- Si la pantalla muestra --, entonces se mostrará el tiempo después de que el sensor de carga haya detectado el tamaño de la carga.
- El tiempo mostrado es sólo un estimado. Este tiempo está basado en condiciones de operación normal. Varios factores externos (tamaño de la carga, temperatura ambiente, temperatura del agua, etc.) podrían afectar el tiempo real.

NOTA

- Una vez el botón **Inicio/Pausa** ha sido presionado, la lavadora medirá el tamaño de la carga. El tiempo estimado podrá cambiar una vez el tamaño de la carga ha sido establecido.
- Si se configura el **Delay Wash (Lavado demorado)**, el tiempo de demora restante comienza una cuenta regresiva hasta que el ciclo inicie.

2 Indicadores de Estado del Ciclo

- Estos indicadores LED parpadean cuando un ciclo ha sido seleccionado para indicar las etapas a ejecutar.
- Cuando un ciclo está en progreso, el indicador LED de la etapa activa parpadea y los indicadores LED de las etapas restantes permanecen estables. Una vez que se completa una etapa, el indicador LED se apaga. Si se pausa un ciclo, el indicador LED de la etapa activa deja de parpadear.

NOTA

- Una vez el botón **Inicio/Pausa** ha sido presionado, la lavadora medirá el tamaño de la carga. El tiempo estimado podrá cambiar una vez el tamaño de la carga ha sido establecido.
- Si se configura el **Delay Wash (Lavado demorado)**, el tiempo de demora restante comienza una cuenta regresiva hasta que el ciclo inicie.

3 Indicador Door Lock (Bloqueo de la puerta)

- Este indicador se enciende cuando el ciclo comienza y se bloquea la puerta.
- La luz indicadora permanecerá encendida hasta que el ciclo haya finalizado o sea pausado o detenido.

4 Indicador Control Lock (Bloqueo Infantil)

- Este indicador se enciende cuando el panel de control se bloquea.
- ☒ y el tiempo de lavado restante se muestra, a su vez, en la pantalla de tiempo restante.
- Cuando se configura esta función, todos los controles quedan desactivados, excepto el botón de **Encendido/Apagado**.

5 Indicador Add Garment (Añadir prenda)

- Solo se pueden introducir las prendas en la cuba en el momento adecuado del ciclo de lavado. Cuando se enciende este indicador, se puede pausar el ciclo sin problemas y añadir más artículos a la cuba.
- Si se añaden prendas cuando este indicador está apagado, la lavadora no se ajustará a estos artículos, lo cual podría ocasionar un mal rendimiento del lavado o dañar los tejidos.

Ciclos de lavado

Los ciclos de lavado están diseñados para tipos específicos de cargas de lavado. Seleccione el ciclo que mejor se adapte a los contenidos de las cargas para obtener un rendimiento máximo de lavado y cuidado de la tela.

Consulte la sección **Clasificación de las prendas** para obtener los mejores resultados y respete las etiquetas de cuidado de las telas en sus prendas. Para leer una guía de los símbolos del cuidado de las telas, consulte la sección **Clasificación de las prendas**.

Guía de ciclos

Gire la perilla o presione el botón para seleccionar el ciclo deseado. Cuando seleccione un ciclo de lavado, la luz correspondiente a dicho ciclo se encenderá.

NOTA

- Siempre que se haga referencia al peso de la carga, asuma 1 lb (0.45 kg) = 1 toalla de baño gruesa (seca).

Ciclo	Normal	
Descripción	Utilice este ciclo para lavar todas las prendas normales, como algodón, lino, camisas, jeans o cargas mixtas, excepto las de materiales delicados como lana o seda. <ul style="list-style-type: none"> • Presionar el botón Inicio/Pausa sin haber seleccionado un ciclo hará que el ciclo Normal inicie inmediatamente, utilizando la configuración predeterminada. 	
Temperatura de lavado	Predeterminado: Warm (Tibia)	Disponible: Todos
Velocidad de centrifugado	Predeterminado: High (Alta)	Disponible: High (Alta), Medium (Media)
Nivel de suciedad	Predeterminado: Normal	Disponible: Todos

Ciclo	Heavy Duty (Muy sucia)	
Descripción	Este ciclo es para lavar ropa muy sucia, como telas de algodón, utilizando movimientos de lavado más potentes. <ul style="list-style-type: none"> • Cuando lave cargas grandes, habrá períodos breves de 2 minutos o más sin agitación. Estos períodos de remojo forman parte del diseño del ciclo y son normales. 	
Temperatura de lavado	Predeterminado: Warm (Tibia)	Disponible: Todos
Velocidad de centrifugado	Predeterminado: High (Alta)	Disponible: Todos
Nivel de suciedad	Predeterminado: Heavy (Pesado)	Disponible: Todos

Ciclo	Deep Wash (Lavado Profundo)	
Descripción	Provee agua adicional y lava artículos mixtos muy sucios, a excepción de tejidos delicados.	
Temperatura de lavado	Predeterminado: Warm (Tibia)	Disponible: Todos
Velocidad de centrifugado	Predeterminado: Medium (Media)	Disponible: Todos
Nivel de suciedad	Predeterminado: Normal	Disponible: Todos

Ciclo	Waterproof (Impermeables)	
Descripción	Adecuado para lavar artículos impermeables como prendas resistentes al agua, protectores de colchón, ropa de exteriores y colchonetas plásticas (menos de 14 lb). NOTA <ul style="list-style-type: none"> • No utilice ningún otro ciclo para lavar artículos impermeables. • No utilice este ciclo para lavar una carga mixta de artículos impermeables y no impermeables. • Controle la etiquetas de cuidado de telas en sus prendas antes de usar este ciclo. • No lave otras telas utilizando este ciclo. 	
Temperatura de lavado	Predeterminado: Warm (Tibia)	Disponible: Warm (Tibia), Cold (Fría)
Velocidad de centrifugado	Predeterminado: Medium (Media)	Disponible: Medium (Media), Low (Baja)
Nivel de suciedad	Predeterminado: Light (Ligera)	Disponible: Todos

Ciclo	Bedding (Ropa de cama)	
Descripción	Adecuado para lavar cobijas o artículos voluminosos que tengan dificultad para absorber agua, como almohadas, cobijas, edredones, sábanas o camas de mascotas. <ul style="list-style-type: none"> • No utilice este ciclo para lavar una carga mixta de ropa de cama y prendas que no lo sean. • No mezcle artículos grandes/voluminosos con prendas más pequeñas. • No lave artículos excesivamente voluminosos. Si los artículos grandes/voluminosos no entran fácilmente en la cuba, podrían no tener espacio suficiente para moverse durante el lavado. 	
Temperatura de lavado	Predeterminado: Warm (Tibia)	Disponible: Todos
Velocidad de centrifugado	Predeterminado: Medium (Media)	Disponible: Todos
Nivel de suciedad	Predeterminado: Normal	Disponible: Todos

Ciclo	Delicates (Delicadas)	
Descripción	Este ciclo se utiliza para lavar camisas/blusas, prendas de nailon, lencería o prendas finas o de encaje que se pueden dañar fácilmente (menos de 8 lb).	
Temperatura de lavado	Predeterminado: Cold (Fría)	Disponible: Warm (Tibia), Cold (Fría)
Velocidad de centrifugado	Predeterminado: Medium (Media)	Disponible: Medium (Media), Low (Baja)
Nivel de suciedad	Predeterminado: Light (Ligera)	Disponible: Todos

Ciclo	Speed Wash (Lavado rápido)	
Descripción	Utilice esta opción para lavar rápidamente prendas ligeramente sucias y cargas pequeñas. Para lograr la mayor eficiencia de lavado y enjuagado, lave pequeñas cargas de 2 a 3 prendas poco sucias. <ul style="list-style-type: none"> • Utilice muy poco detergente en este ciclo. Para añadir un enjuague extra, utilice el botón Extra Rinse (Extra enjuague). 	
Temperatura de lavado	Predeterminado: Warm (Tibia)	Disponible: Warm (Tibia), Cold (Fría)
Velocidad de centrifugado	Predeterminado: High (Alta)	Disponible: Todos
Nivel de suciedad	Predeterminado: Light (Ligera)	Disponible: Todos

Ciclo	Tub Clean (Limpieza de la tina)	
Descripción	Este es un ciclo especial diseñado para limpiar el interior de la lavadora.	

Opciones disponibles

NOTA

- Se puede seleccionar **Delay Wash (Lavado demorado)** para cada ciclo en esta tabla.

Ciclo	Cold Wash (Lavado frío)	Extra Rinse (Extra enjuague)	Water Plus (Agua extra)	Soak (Remojo)
Normal	●	●	●	●
Heavy Duty (Muy sucia)		●	●	●
Deep Wash (Lavado Profundo)		●	●	●
Waterproof (Impermeables)		●	●	
Bedding (Ropa de cama)	●	●		●
Delicates (Delicadas)		●	●	●
Speed Wash (Lavado rápido)		●	●	●

Modificadores de ciclo

Acerca de los botones modificadores

Cada ciclo tiene configuraciones predeterminadas que se seleccionan automáticamente. También puede personalizar estas configuraciones usando los botones modificadores de ciclo.

- Presione repetidamente el botón para el modificador deseado hasta que se encienda la luz indicadora para la configuración elegida.
- La lavadora automáticamente ajusta el nivel de agua según el tipo y el tamaño de la carga de ropa para obtener mejores resultados y una eficiencia máxima.
- Esta es una lavadora de alta eficiencia y los niveles de agua pueden ser mucho más bajos de lo esperado. Esto es normal y el rendimiento de lavado/enjuague no se verá afectado.

■ Hot	■ High	■ Heavy
■ Warm	■ Medium	■ Normal
■ Cold	■ Low	■ Light
Temp.	Spin	Soil

NOTA

- El indicador LED junto a la configuración se encenderá cuando se seleccione la configuración.
- Para proteger sus prendas, no todas las temperaturas de lavado, velocidades de centrifugado, niveles de suciedad u opciones están disponibles con cada ciclo.
- Sonará una alarma dos veces y no se encenderá el indicador LED si no se permite la configuración deseada para el ciclo seleccionado.
- Siga las instrucciones de las etiquetas de cuidado de las prendas para obtener mejores resultados.

Temp. (Temperatura)

Asegúrese de que la temperatura del agua sea adecuada para el tipo de ropa que lavará.

- Presione el botón de **Temp. (Temperatura)** repetidamente para seleccionar la combinación de temperatura de lavado y enjuague para el ciclo seleccionado.
- Todos los enjuagues utilizan agua fría sin calentar.

- Los enjuagues con agua fría consumen menos energía. La temperatura real del enjuague frío depende de la temperatura del agua fría que sale de la llave.

Spin (Centrifugado)

Las velocidades de giro más altas extraen más agua de la ropa, reduciendo el tiempo de secado y ahorrando energía.

- Presione el botón **Spin (Centrifugado)** hasta seleccionar la velocidad deseada.
- Algunas telas (las delicadas, por ejemplo) requieren de velocidades bajas de giro. Para proteger su ropa, no todas las velocidades de centrifugado están disponibles para todos los ciclos.

Soil (Suciedad)

Ajustar el nivel de suciedad cambiará los tiempos de ciclo y/o las acciones de lavado.

- Presione el botón de **Soil (Suciedad)** repetidamente hasta seleccionar el nivel de suciedad deseado.
- La configuración de suciedad **Heavy (Pesado)** podría aumentar la duración del ciclo. La configuración de suciedad **Light (Ligera)** podría reducir la duración del ciclo.

Opciones y funciones adicionales

La lavadora incluye varias opciones de ciclo adicionales para personalizar los ciclos a fin de que satisfagan sus necesidades.

- Seleccione la opción deseada después de elegir el ciclo y los ajustes que prefiere.

NOTA

- El LED de la opción se iluminará cuando esta se seleccione.
- Para proteger sus prendas, no se dispone de todas las opciones en cada ciclo.
- Sonará una alarma dos veces y no se encenderá el LED si no se permite la opción seleccionada para el ciclo que eligió.

Spin Only (Solo centrifugado)

Use esta opción para centrifugar ropa y drenar agua del tambor.

- Use esta opción para drenar agua si el ciclo de lavado se interrumpe por una falla de

electricidad o para centrifugar en seco artículos que se lavaron a mano.

- 1 Presione el botón de **Encendido/Apagado** para encender la lavadora.
 - No seleccione un ciclo.
- 2 Mantenga presionado el botón de **Spin (Centrifugado)** durante 3 segundos.
 - Puede cambiar la velocidad de centrifugado al presionar el botón **Spin (Centrifugado)**.
- 3 Presione el botón **Inicio/Pausa** para iniciar.

Cold Wash (Lavado frío)

Use esta opción para ahorrar energía mediante el uso de agua fría, extendiendo los tiempos de lavado y enjuague para mantener el rendimiento del lavado.

- El tiempo de lavado incrementará varios minutos con esta opción.
- Seleccionar esta opción aumenta la cantidad de agua que se suministra durante el proceso de enjuague. Sin embargo, no aumenta la cantidad de agua durante el lavado.
- Para obtener mejores resultados, lave solamente cargas pequeñas (menos de 8 lb) con esta opción.

Signal (Señal)

La lavadora emite una melodía cuando finaliza el ciclo de lavado. Los botones producen un sonido cada vez que se los presiona.

- Mantenga presionado el botón **Cold Wash (Lavado frío)** durante 3 segundos para encender o apagar los sonidos.
- Cuando no escuche ninguna señal, ésta se encuentra apagada.

Delay Wash (Lavado demorado)

Una vez ha seleccionado el ciclo y demás configuraciones, presione este botón para retrasar el inicio del ciclo de lavado.

- Cada vez que presione el botón, aumenta el tiempo de demora en 1 hora, con un máximo de 19 horas.
- Una vez que haya establecido el tiempo de demora deseado, presione el botón de **Inicio/Pausa** para que comience a correr.

NOTA

- Si no se presiona el botón de **Inicio/Pausa** para iniciar el tiempo de demora, la lavadora se apagará automáticamente luego de un tiempo determinado y toda la configuración del ciclo se perderá.
-

Rinse+Spin (Enjuague+Centrifugado)

Seleccione esta opción para enjuagar y centrifugar una carga de forma separada al ciclo regular. Esto puede ayudar a prevenir que manchas frescas se adhieran a las telas.

- 1 Presione el botón de **Encendido/Apagado** para encender la lavadora.
 - No seleccione un ciclo.
- 2 Mantenga presionado el botón de **Delay Wash (Lavado demorado)** durante 3 segundos.
 - Puede cambiar la velocidad de centrifugado al presionar el botón **Spin (Centrifugado)**.
- 3 Presione el botón **Inicio/Pausa** para iniciar.

Water Plus (Agua extra)

Utilice esta opción para añadir agua adicional al ciclo de lavado y así obtener un mejor rendimiento con artículos grandes o voluminosos.

NOTA

- Si la lavadora alcanza su nivel de agua máximo, este botón no tendrá ningún efecto.
 - Para añadir más agua mientras un ciclo está en ejecución, pause el ciclo y seleccione esta opción.
 - Cuando usted selecciona el ciclo **Normal** y la opción **Water Plus (Agua extra)**, el ciclo se cambiará a **Deep Wash (Lavado Profundo)** antes de comenzar.
-

Soak (Remojo)

Esta opción proporciona un remojo previo de 30 minutos antes de iniciar el ciclo seleccionado. Utilice esta opción para remojar previamente sus prendas y así ayudar a remover manchas difíciles

en ellas. Al finalizar el tiempo de remojo previo, el ciclo seleccionado iniciará con el agua utilizada para el enjuague.

- Mantenga presionado el botón de **Water Plus (Agua extra)** durante 3 segundos para activar o desactivar esta opción.

Extra Rinse (Extra enjuague)

Esta opción añadirá un enjuague extra al ciclo seleccionado. Use esta opción para ayudar a eliminar el residuo de detergente o blanqueador de las telas.

- Si presiona el botón **Extra Rinse (Extra enjuague)** dos veces, se añadirán dos enjuagues adicionales al ciclo.
- Si se usa un suavizante líquido para telas, siempre se dispensa al final del enjuague.

NOTA

- No puede seleccionar esta opción con la opción **Spin Only (Centrifugado solamente)** y el ciclo **Tub Clean (Limpieza de la tina)**.
- Si selecciona la opción **Extra Rinse (Extra enjuague)** con el ciclo **Normal** automáticamente lo cambia al ciclo **Deep Wash (Lavado Profundo)**.

Control Lock (Bloqueo de Panel)

Utilice esta función para deshabilitar los controles. Esta función puede evitar que los niños cambien los ciclos o manejen esta lavadora.

NOTA

- La función no traba la puerta.
- Una vez que se establece esta función, todos los botones quedan bloqueados, excepto el botón de **Encendido/Apagado**.
- Cuando los controles están bloqueados, [L] y el tiempo restante se muestran alternativamente en la pantalla durante el ciclo de lavado.
- Apagar la alimentación no restablecerá esta función. Debe desactivar esta función antes de poder acceder a otras opciones y funciones.

Bloqueo del panel de control

- 1 Conectar la alimentación.

- 2 Mantenga presionado el botón **Extra Rinse (Extra enjuague)** durante 3 segundos para activar esta función.

Desbloqueo del panel de control

- 1 Conectar la alimentación.
- 2 Mantenga presionado el botón **Extra Rinse (Extra enjuague)** durante 3 segundos para desactivar esta función.
 - Cuando esta función esté desactivada, sonará una alarma y el tiempo restante para el ciclo actual volverá a aparecer en la pantalla.

Add Garments (Añadir prendas)

Si se olvidó de añadir un artículo o necesita quitar objetos extraños como monedas o llaves después de que el ciclo ha comenzado, el mejor momento para hacerlo es mientras el indicador **Add Garments (Añadir prendas)** está encendido.

- Una vez que se apaga el indicador, añadir artículos puede afectar el tiempo del ciclo o el rendimiento del lavado.

- 1 Presione el botón **Inicio/Pausa**. El ciclo se pausa y la tapa (puerta) se desbloquea.
- 2 Abra la tapa, añada prendas o remueva objetos extraños, y cierre la tapa.
- 3 Presione el botón **Inicio/Pausa** para reanudar el ciclo. El ciclo continúa automáticamente.

NOTA

- Esta lavadora está equipada con una función de drenaje especial que está diseñada para que sea lo más segura posible. Si la lavadora se pausa o apaga mientras aún hay agua en el tambor, esta se drenará automáticamente después de varios minutos de inactividad. Esto ayuda a mantener la seguridad de los niños al reducir la posibilidad de que el agua permanezca en el tambor. Toda agua restante en el tambor se drenará automáticamente 4 minutos después de que la lavadora se haya apagado. Si la lavadora está pausada y no se presiona el botón **Inicio/Pausa** dentro de 60 minutos, la lavadora se apagará, todos los ajustes se perderán. Se drenará el agua que quede en la cuba.

NOTA

La lavadora se puede encender o reiniciar en cualquier momento antes de que comience el drenaje. Sin embargo, una vez que la lavadora comience a drenar, todos los controles y las funciones se desactivarán hasta que el agua se haya drenado completamente y se apague la lavadora.

FUNCIONES INTELIGENTES

Aplicación LG ThinQ

La aplicación **LG ThinQ** le permite comunicarse con el electrodoméstico usando un teléfono inteligente.

Funciones de la aplicación LG ThinQ



Smart Diagnosis

Esta función brinda información útil para diagnosticar y resolver problemas con el producto conforme a su patrón de uso.

Instalación de la aplicación LG ThinQ

Busque la aplicación **LG ThinQ** en la tienda Google Play o App Store desde su teléfono inteligente. Siga las instrucciones para descargar e instalar la aplicación.

Función Smart Diagnosis™ (Diagnóstico Inteligente)

Esta característica solo está disponible en el modelo con el logo  o .

Utilice esta función como ayuda para diagnosticar y resolver problemas con su electrodoméstico.

NOTA

- Por motivos no atribuibles a la negligencia de LGE, es posible que el servicio no pueda funcionar debido a factores externos como por ejemplo, la indisponibilidad de Wi-Fi, desconexión de Wi-Fi, política de la tienda de aplicaciones local o indisponibilidad de aplicaciones, entre otros.
- Esta función puede estar sujeta a cambios sin previo aviso y puede tener una forma diferente según dónde se encuentre ubicado.

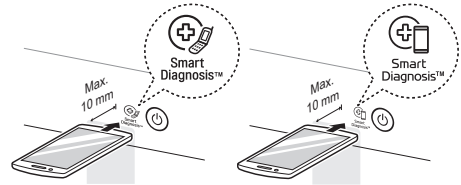
Uso del diagnóstico audible para diagnosticar problemas

Siga las instrucciones a continuación para utilizar el método de diagnóstico audible.

- Inicie la aplicación **LG ThinQ** y seleccione la función **Smart Diagnosis™** en el menú. Siga las instrucciones para el diagnóstico audible provistas en la aplicación **LG ThinQ**.

- 1 Presione el botón **Encendido/Apagado** para encender el electrodoméstico.
 - No presione ningún otro botón.

- 2 Mantenga el micrófono de su teléfono en frente del logo  o .



- 3 Mantenga presionado el botón **Temp. (Temperatura)** durante 3 segundos o más mientras sigue manteniendo el teléfono cerca del logo.

- 4 Mantenga el teléfono allí hasta que la transmisión de tonos haya terminado. La pantalla contará el tiempo hacia atrás. Una vez que la cuenta regresiva haya terminado y se hayan detenido los tonos, el diagnóstico se mostrará en la aplicación.

NOTA

- Para obtener resultados óptimos, no mueva el teléfono mientras se transmitan los tonos.

MANTENIMIENTO

⚠ ADVERTENCIA

- Para reducir el riesgo de incendios, descargas eléctricas o lesiones, lea todo el manual del usuario, incluidas las **INSTRUCCIONES DE SEGURIDAD**, antes de utilizar este aparato.
- Desconecte el aparato antes de limpiarlo para evitar el riesgo de descargas eléctricas. El incumplimiento de esta advertencia puede causar lesiones graves, incendios, descargas eléctricas o incluso la muerte.
- No utilice sustancias volátiles (benceno, disolvente, alcohol, acetona, etc.), limpiadores abrasivos o detergentes con componentes químicos fuertes al limpiar la lavadora, ya que se puede decolorar o dañar el aparato, o provocarse un incendio.
- Intencionalmente, algunas piezas internas no tienen conexión a tierra y pueden presentar un riesgo de descarga eléctrica solo durante la reparación. Personal de reparación – no toque las siguientes piezas cuando el aparato esté recibiendo energía: bomba, motor, cubierta de filtro de ruido y calentador (en modelos aplicables).

Limpieza regular

Cuidado después del lavado

Luego de que el ciclo haya terminado, limpie la tapa y el interior de su sello para remover el contenido de humedad.

- Seque el cuerpo de la lavadora con un paño seco para eliminar cualquier resto de humedad.
- Deje la tapa abierta para secar el interior de la tina.

NOTA

- Asegúrese de que ni los niños ni las mascotas ingresen al tambor. Active la función **Control Lock (Bloqueo Infantil)**, si fuera necesario, para evitar que los niños inicien un ciclo de lavado accidentalmente.

Limpieza del exterior

El cuidado adecuado de su lavadora puede prolongar su vida.

Tapa:

- Límpiela por fuera y por dentro con un paño húmedo y luego séquela con un paño suave.

Exterior:

- Seque inmediatamente cualquier derrame.
- Límpielo con un paño húmedo.
- No toque la superficie o la pantalla con objetos punzantes o filosos.

Mantenimiento periódico

- Use una toalla o un paño suave para limpiar alrededor de la abertura de la tapa y el vidrio de la tapa de la lavadora.
- Siempre retire las prendas de la lavadora tan pronto como termine el ciclo. Si deja las prendas húmedas en la lavadora, estas pueden arrugarse, transferir color y provocar olores.
- Ejecute el ciclo del **Tub Clean** una vez por mes, o con más frecuencia si es necesario, para limpiar residuos o acumulación de detergente.

Limpiando el Tambor

Es posible que con el tiempo se acumulen residuos en el tambor y esto provoque cierto olor a moho. Ejecute el ciclo **Tub Clean (Limpieza de la tina) mensualmente** para remover residuos y prevenir la formación de olores.

NOTA

- Asegúrese de ejecutar el ciclo de **Tub Clean (Limpieza de la tina)** solo cuando el tambor se encuentre vacío. Nunca coloque ropa para lavado mientras utilice este ciclo. La ropa puede dañarse o contaminarse con los productos de limpieza.
- Ejecútelo más seguido bajo condiciones intensas de uso, o si ya ha detectado el mal olor.
- Si ya percibe olor a humedad o a moho, ejecute este ciclo semanalmente durante tres semanas consecutivas.

- 1 Remueva cualquier prenda de la tina.

2 Agregado de productos de limpieza.

Producto de limpieza	Instrucciones
Limpiador para la tina	Siga las instrucciones del fabricante.
Removedor de cal	
Blanqueador con cloro líquido	Añada al dispensador de detergente líquido para lavado principal.
Limpiador en polvo	Siga las instrucciones del fabricante.
Tabletas de limpieza	Colóquelas directamente en el tambor de la lavadora.

- Para otros productos de limpieza del tambor, siga las instrucciones y recomendaciones del fabricante del limpiador.
- No sobrepase la línea de llenado máximo al añadir blanqueador o limpiadores en polvo. Los limpiadores en polvo podrían permanecer en la tina aún después del lavado.

3 Cierre la tapa y presione el botón **Encendido/Apagado** para encender la lavadora.

4 Gire la perilla o presione los botones de ciclo para seleccionar el ciclo **Tub Clean (Limpieza de la tina)**, luego presione el botón **Inicio/Pausa** para iniciar.

5 Luego de que el ciclo haya terminado, abra la tapa y permita que el interior de la tina se seque completamente.

⚠ ADVERTENCIA

- Asegúrese de que ni los niños ni las mascotas ingresen al tambor. Active la función **Control Lock (Bloqueo Infantil)**, si fuera necesario, para evitar que los niños inicien un ciclo de lavado accidentalmente.

NOTA

- Si utiliza un descalcificador o un limpiador de tambor durante el ciclo **Tub Clean (Limpieza de la tina)**, use la opción **Rinse+Spin (Enjuague+Centrifugado)** para enjuagar el tambor de la lavadora antes de realizar el siguiente ciclo de lavado.

Remoción de acumulación de minerales

En áreas con aguas duras, se pueden formar sedimentos minerales en los componentes internos de la lavadora. Limpie periódicamente la acumulación de minerales en los componentes internos para prolongar la vida útil de la lavadora. Se recomienda utilizar un ablandador de agua en áreas con aguas duras.

- Utilice un descalcificador para eliminar la acumulación mineral visible en el tambor de la lavadora.
- Luego de limpiar con el descalcificador, siempre ejecute el ciclo de **Tub Clean (Limpieza de la tina)** antes de lavar ropa.
- Los sedimentos minerales y otras manchas pueden eliminarse de la tina de acero inoxidable utilizando un paño suave embebido en un limpiador para acero inoxidable.
- No use lana de acero ni limpiadores abrasivos.

Dejando la Tapa Abierta

Después de terminar de usar la lavadora, deje la tapa abierta durante la noche para permitir que el aire circule y seque el tambor. Esto ayuda a prevenir olores.

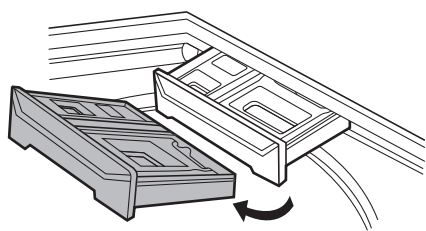
Limpiando la Bandeja del Dispensador

Puede que se acumule detergente y suavizante en la bandeja del dispensador. Remueva la bandeja y los insertos y revise si hay acumulación **una o dos veces al mes**.

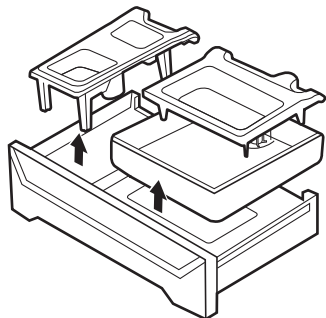
⚠ ADVERTENCIA

- No rocíe agua dentro de la lavadora. Hacerlo podría causar un incendio o una descarga eléctrica.

- 1 Apague la lavadora y desenchufe el cable de alimentación.
- 2 Remueva la bandeja al tirar de ella hasta que se detenga. Levante la parte delantera de la bandeja y retírela completamente.



- 3** Remueva los insertos de los dos compartimientos.



- 4** Limpie los insertos y la bandeja con agua tibia.

- Utilice un paño suave o un cepillo para limpiar y remover cualquier residuo.
- No utilice jabón al limpiar la bandeja y los insertos.

- 5** Seque la humedad con un paño o una toalla seca luego de limpiar.

- 6** Para limpiar la apertura de la bandeja, utilice un pequeño cepillo no metálico. Remueva todo el residuo de las parte superior e inferior del hueco.

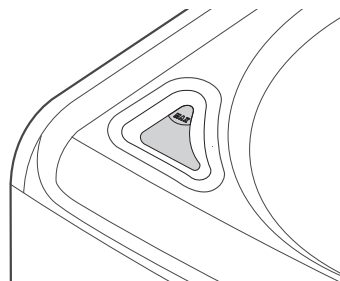
- 7** Coloque los insertos de regreso en sus respectivos compartimientos y vuelva a colocar la bandeja.
- Coloque la bandeja en diagonal en la apertura, bájela y deslícela en su lugar.

Limpiando el Dispensador de Blanqueador

Puede que se acumule blanqueador en la cubierta del dispensador. Revise que no sea así y limpie la cubierta **una o dos veces al mes**.

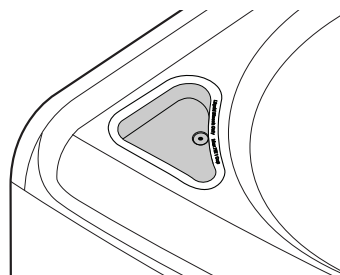
Dispensador automático de blanqueador

Remueva la cubierta del dispensador de blanqueador. Limpie la cubierta y la apertura con agua tibia.



Dispensador inmediato de blanqueador

La cubierta no puede separarse del dispensador. Límpiela utilizando un cepillo y agua tibia.



Limpieza de los filtros de entrada de agua

Si la lavadora no se llena correctamente, aparecerá un mensaje de error en la pantalla. Las rejillas del filtro de la válvula de entrada de agua pueden taparse por el sarro que se forma en las aguas duras, sedimentos en el suministro de agua u otros desechos.

⚠ ADVERTENCIA

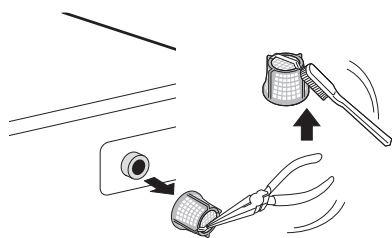
- Las rejillas de entrada protegen las partes delicadas de la válvula de partículas que puedan ingresar a través del suministro de agua. Operar la lavadora sin estos filtros podría causar que una válvula se quede abierta continuamente, provocando una inundación y/o daños a la propiedad.

⚠ PRECAUCIÓN

- No use la lavadora sin los filtros de entrada. Hacerlo provocará fugas y un mal funcionamiento.
- Si usa la lavadora en un área de aguas duras, el filtro de entrada puede obstruirse por la

acumulación de cal y requeriría una limpieza más frecuente.

- 1 Apague la lavadora y desenchufe el cable de alimentación.
- 2 Cierre las llaves de paso de agua caliente y fría.
- 3 Desenrosque las mangueras de agua caliente y fría de la parte posterior de la lavadora.
- 4 Retire los filtros de las válvulas de agua cuidadosamente.
 - Use pinzas para retirar los filtros de las válvulas de agua.



- 5 Retire objetos extraños y sumerja los filtros en vinagre blanco o en un removedor de cal.
 - Si utiliza un removedor de cal, siga las instrucciones del fabricante. Tenga cuidado de no dañar los filtros mientras los limpia.
- 6 Enjuague bien los filtros y vuelva a colocarlos en su sitio.
- 7 Enjuague las mangueras del agua y vuelva a fijarlas en su lugar.
 - Antes de volver a colocar las mangueras de entrada de agua, enjuáguelas haciendo correr bastante agua por ellas hacia una cubeta o desagüe. Preferentemente, hágalo con las llaves de paso del agua abiertas por completo, para que fluya el máximo posible de agua.

NOTA

- Un mensaje de error ! E puede aparecer parpadeando en la pantalla si la presión del agua es demasiado débil o si el filtro se encuentra obstruido por suciedad. Limpie el filtro de entrada.

Cuidado en climas fríos

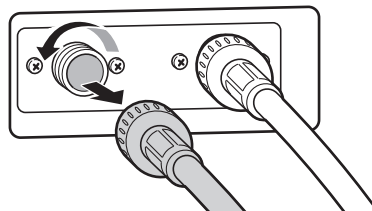
Almacenamiento de la lavadora

Si la lavadora no va a ser utilizada por un período prolongado y se encuentra en una zona en la que puede quedar expuesta a temperaturas bajo cero, siga estos pasos para protegerla de daños.

NOTA

- Asegúrese de que la tina esté vacía antes de seguir los siguientes pasos.

- 1 Apague la lavadora y desenchufe el cable de alimentación.
- 2 Cierre las llaves de paso de agua.
- 3 Desconecte las mangueras del suministro de agua y drene el agua que quede en ellas.



- 4 Enchufe el cable de alimentación en un tomacorriente correctamente conectado a tierra.
- 5 Agregue 1 galón de anticongelante no tóxico para vehículos recreativos (RV) en el tambor vacío y cierre la tapa.
 - Nunca use anticongelante para automóviles.
- 6 Encienda la lavadora y seleccione el ciclo **Spin (Centrifugado)**.
- 7 Presione el botón de **Inicio/Pausa** para dar arranque a la bomba de desagüe para **1 minutos**.
 - Esto expulsará una cantidad de anticongelante y dejará solo el necesario para proteger la lavadora de posibles daños.

40 MANTENIMIENTO

- 8 Apague la lavadora y desenchufe el cable de alimentación.
- 9 Seque el interior del tambor con un paño suave y cierre la tapa.
- 10 Guarde la lavadora en posición vertical.
- 11 Quite los insertos del dispensador. Desagote el agua que pueda haber en los compartimientos y déjelos secar.
- 12 Para quitar el anticongelante de la lavadora luego de haberla tenido guardada, ejecute el ciclo **Speed Wash (Lavado rápido)** usando detergente.
 - No coloque ropa para lavar en este ciclo.

Quando las mangueras de entrada de agua están congeladas

- 1 Apague la lavadora y desenchufe el cable de alimentación.
- 2 Cierre las llaves conectadas a las mangueras de entrada de agua.
- 3 Vierta agua caliente sobre las llaves congeladas para descongelar las mangueras de entrada de agua y poder retirarlas.
- 4 Sumerja las mangueras de entrada de agua en agua caliente para descongelarlas.
- 5 Vuelva a conectar las mangueras de entrada a las entradas de agua de la lavadora y a las llaves.
 - Consulte la sección **Conexión de las mangueras de entrada de agua** para obtener más detalles.
- 6 Abra las llaves de paso.
- 7 Presione el botón de **Encendido/Apagado** para encender la lavadora.
- 8 Mantenga presionado el botón **Spin (Centrifugado)** durante 3 segundos a fin de

operar el ciclo **Spin Only (Centrifugado solamente)** para el drenaje y el centrifugado.

- 9 Presione el botón de **Inicio/Pausa** y verifique que el agua llene la lavadora correctamente.

Quando se congela la manguera de desagüe

- 1 Vierta agua caliente en el tambor de la lavadora y cierre la tapa.
- 2 Espere durante 1 o 2 horas.
- 3 Presione el botón de **Encendido/Apagado** para encender la lavadora.
- 4 Mantenga presionado el botón **Spin (Centrifugado)** durante 3 segundos a fin de operar el ciclo **Spin Only (Centrifugado solamente)** para el drenaje y el centrifugado.
- 5 Presione el botón de **Inicio/Pausa** para verificar que el agua se drene correctamente.

SOLUCIÓN DE PROBLEMAS

La lavadora está equipada con un sistema automático de detección de errores para detectar y diagnosticar problemas en una etapa temprana. Si la lavadora no funciona correctamente o no funciona en absoluto, compruebe lo siguiente antes de llamar al servicio técnico.

Antes de llamar al servicio técnico

Mensajes de error

Problemas	Causas posibles y solución
UE ERROR DE DESEQUILIBRIO	La carga es muy pequeña. <ul style="list-style-type: none"> • Agregue prendas adicionales para que la lavadora logre equilibrar la carga.
	Hay artículos pesados mezclados con otros más livianos. <ul style="list-style-type: none"> • Siempre trate de lavar artículos de peso más o menos similar para que la lavadora pueda distribuir de forma pareja el peso de la carga para el centrifugado.
	La carga está desequilibrada. <ul style="list-style-type: none"> • Redistribuya la carga manualmente si los artículos se han enredado y están previniendo que el equilibrado automático funcione apropiadamente.
IE ERROR DE ENTRADA	Las llaves de paso del suministro de agua no están abiertas por completo. <ul style="list-style-type: none"> • Asegúrese de que las llaves de paso del agua estén completamente abiertas.
	Las mangueras de entrada de agua se encuentran retorcidas, pellizcadas o aplastadas. <ul style="list-style-type: none"> • Asegúrese de que las mangueras no estén retorcidas, pellizcadas ni aplastadas detrás o debajo de la lavadora. Tenga cuidado cuando mueva la lavadora para su limpieza o mantenimiento.
	Los filtros de entrada de agua están obstruidos. <ul style="list-style-type: none"> • Limpie los filtros de entrada. Consulte MANTENIMIENTO.
	La presión del suministro de agua de la casa o a la llave de paso de agua es demasiado baja. <ul style="list-style-type: none"> • Compruebe otro grifo de la casa para asegurarse de que la presión del suministro de agua doméstico es la adecuada y que la circulación de agua no está restringida. • Desconecte las mangueras de entrada de agua y haga circular algunos galones de agua por las mangueras para enjuagar el polvo que pudiera haber. • Si circula demasiado lento, llame a un fontanero para que repare las tuberías de agua.
	Suministro de agua conectado con mangueras limitadoras de fugas. <ul style="list-style-type: none"> • No se recomienda el uso de mangueras limita fugas. Puede que las mangueras diseñadas para limitar fugas se activen falsamente y prevengan el llenado apropiado de la lavadora.
DE ERROR DE LA SALIDA DE AGUA	La manguera de desagüe está retorcida, pellizcada u obstruida. <ul style="list-style-type: none"> • Asegúrese que la manguera de drenaje esté libre de atascos o torceduras, y que no esté apretada detrás o debajo de la lavadora.
	El extremo de la manguera de drenaje está a más de 96 pulgadas (2.4 m) en relación al fondo de la lavadora. <ul style="list-style-type: none"> • Mueva el extremo de la manguera de drenaje para que esté a menos de 96 pulgadas (2.4 m).
CL FUNCIÓN DE BLOQUEO INFANTIL	La función de Bloqueo Infantil está encendida para prevenir que cualquier persona cambie de ciclo u opere la lavadora. <ul style="list-style-type: none"> • Desactive la función de Bloqueo Infantil en el panel de control. Consulte Control Lock (Bloqueo Infantil) en Opciones y funciones adicionales.

Problemas	Causas posibles y solución
d_r FUNCIÓN DE DRENAJE	Característica de drenaje especial <ul style="list-style-type: none"> • Si la lavadora es pausada durante un ciclo por más de 4 minutos, el ciclo se cancelará y el agua que haya quedado en la tina será drenada. • Esto no es un código de error. Indica que la función de drenaje está operando.
d_E ERROR DE LA TAPA	La tapa no está cerrada apropiadamente. <ul style="list-style-type: none"> • Cierre la tapa correctamente. • Si la tapa está cerrada y aún se muestra el mensaje de error, llame al servicio.
d_L ERROR DE BLOQUEO DE LA TAPA	La tapa no está cerrada correctamente. <ul style="list-style-type: none"> • Asegúrese de que la tapa esté cerrada correctamente y presione el botón Inicio/Pausa. Puede oír el sonido de bloqueo para cerrar la tapa al comienzo del ciclo. La lavadora no funcionará a menos que la tapa esté bloqueada. • Asegúrese de que no haya nada atrapado debajo de la tapa, incluyendo material de envío o ropa. • Asegúrese de que el mecanismo del enganche esté retraído completamente. Asegúrese de que el mecanismo del enganche esté retraído completamente. • Si la tapa está cerrada y aún se muestra el mensaje de error, llame al servicio.
L_E I ERROR DE OBJETO EXTRAÑO	Los objetos extraños, como las monedas, los pines, las pinzas, etc., quedan atrapados entre el pulsador y el tambor interno. <ul style="list-style-type: none"> • Apague y encienda la lavadora. Presione el botón Spin (Centrifugado) sin seleccionar un ciclo para drenar y centrifugar la carga. • Cuando se complete el ciclo Spin (Centrifugado), vacíe el tambor, y busque y remueva cualquier objeto que esté atrapado en pulsador. • Siempre revise los bolsillos, etc., previo al lavado a manera de prevenir códigos de error o daños a la lavadora y a sus prendas. • Para algunos modelos, L_E se muestra primero, y I se muestra después.
l_cL ALARMA DE LIMPIEZA DE CUBA	Es tiempo de ejecutar el ciclo de Tub Clean (Limpieza de la tina). <ul style="list-style-type: none"> • Este no es un código de error. Indica que el ciclo Tub Clean (Limpieza de la tina) se está ejecutando o que es necesario hacerlo para limpiar el tambor de la lavadora. • Para algunos modelos, l_c se muestra primero, y L se muestra después.
u_b DETECCIÓN DE DESEQUILIBRIO	La lavadora ha detectado una carga desbalanceada. <ul style="list-style-type: none"> • Esta pantalla es solo para su información y no debe tomar ninguna medida. Si la lavadora detecta una carga demasiado desbalanceada para centrifugar, esta mostrará este código mientras la intenta volver a balancear. La lavadora añadirá agua e intentará redistribuir la carga automáticamente. • Como resultado, el ciclo tomará más tiempo que el estimado inicialmente.
l_E ERROR EN EL SENSOR DE TEMPERATURA	Error de control <ul style="list-style-type: none"> • Desenchufe la lavadora y espere 60 minutos. Vuelva a conectarla a la electricidad e intente de nuevo. • Si se sigue mostrando el código de error, llame al servicio técnico.
FE ERROR DE DESBORDE	El nivel del agua es demasiado alto debido a una válvula de agua defectuosa. <ul style="list-style-type: none"> • Cierre las llaves de paso del agua, desenchufe la lavadora y llame al servicio técnico.
PE ERROR EN EL SENSOR DE PRESIÓN	El sensor del nivel de agua no funciona correctamente. <ul style="list-style-type: none"> • Cierre las llaves de paso del agua, desenchufe la lavadora y llame al servicio técnico.
L_E ERROR DE MOTOR BLOQUEADO	Ha ocurrido un error del motor. <ul style="list-style-type: none"> • Deje la lavadora apagada durante 30 minutos y luego reinicie el ciclo. • Si se sigue mostrando el código de error, llame al servicio técnico.

Problemas	Causas posibles y solución
Eb ERROR DE EMBRAGUE	Error de embrague <ul style="list-style-type: none"> Fallo mecánico Desconecte la lavadora y llame al servicio.
P5 ERROR DE VOLTAJE DE ALIMENTACIÓN	El voltaje de alimentación no es correcto. <ul style="list-style-type: none"> Llame al centro de servicio de LG. Puede encontrar el número de teléfono de su centro de servicio de LG en la última página.

Ruidos

Problemas	Causas posibles y solución
Haciendo clic	La traba de la tapa suena cuando esta se bloquea o desbloquea. <ul style="list-style-type: none"> Funcionamiento normal
Rociado o silbido	Agua que circula o se rocía durante el ciclo <ul style="list-style-type: none"> Funcionamiento normal
Zumbido o gorgoteo	La bomba de desagüe bombea agua desde la lavadora en ocasiones durante un ciclo. <ul style="list-style-type: none"> Funcionamiento normal
Chapoteo de agua	Un líquido en el anillo de equilibrio alrededor del pulsador ayuda a que el cesto gire suavemente. <ul style="list-style-type: none"> Funcionamiento normal
Agua entrando a la lavadora después de que esta ya comenzó a funcionar.	La lavadora adapta el lavado al tipo y al tamaño de la carga y agrega más agua al ciclo cuando resulta necesario. <ul style="list-style-type: none"> Funcionamiento normal
	La carga de ropa puede estar desequilibrada. Si la lavadora percibe que la carga está desequilibrada, se detiene y vuelve a llenarse para redistribuirla. <ul style="list-style-type: none"> Funcionamiento normal
	La lavadora podría estar diluyendo los productos de lavandería para agregarlos al lavado. <ul style="list-style-type: none"> Funcionamiento normal
Ruido metálico y de traqueteo	Objetos extraños como llaves, monedas, o pines de seguridad podrían estar en el tambor o en la bomba. <ul style="list-style-type: none"> Detenga la lavadora, verifique el tambor y el filtro de desagüe para detectar objetos extraños. Si el ruido continúa después de reiniciar la lavadora, llame al servicio técnico.
Golpeteo	Las cargas pesadas pueden producir un golpeteo. <ul style="list-style-type: none"> Esto es normal, pero, si el sonido continúa, probablemente la lavadora se encuentra desequilibrada. Detenga la lavadora y distribuya la carga nuevamente.
	La carga puede estar desequilibrada. <ul style="list-style-type: none"> Pause el ciclo y redistribuya la carga luego de que la tapa se desbloquee.

Problemas	Causas posibles y solución
Ruido de Vibración	<p>No se quitaron todos los materiales de empaque.</p> <ul style="list-style-type: none"> • Consulte Desempacando y removiendo el material de transporte en INSTALACIÓN.
	<p>Es posible que la carga de lavado no esté distribuida de manera uniforme. Es posible que la carga de lavado no esté distribuida de manera uniforme.</p> <ul style="list-style-type: none"> • Pause el ciclo y redistribuya la carga luego de que la tapa se desbloquee.
	<p>No todas las patas de nivelación están bien afirmadas al suelo y adecuadamente niveladas.</p> <ul style="list-style-type: none"> • Consulte Nivelación de la lavadora en INSTALACIÓN.
	<p>El suelo no es lo suficientemente rígido.</p> <ul style="list-style-type: none"> • Asegúrese de que el piso es sólido y no se flexiona. Vea Piso en INSTALACIÓN.
Ruido de chirridos	<p>No se quitaron todos los materiales de empaque.</p> <ul style="list-style-type: none"> • Consulte Desempacando y removiendo el material de transporte en INSTALACIÓN.
Ruido de golpes cuando la lavadora se está llenando con agua. (Golpe de ariete)	<p>La fontanería en el hogar se mueve o flexiona cuando las válvulas de la lavadora se cierran.</p> <ul style="list-style-type: none"> • El golpe de ariete no es provocado por un defecto de la lavadora. Instale supresores de golpes de ariete (se compran aparte, en su ferretería local o en una tienda de materiales de construcción) entre la manguera de llenado y la lavadora para obtener resultados óptimos.
	<p>La presión del suministro de agua doméstico es muy alta.</p> <ul style="list-style-type: none"> • Ajuste el regulador del suministro de agua doméstico a una presión menor o llame a un fontanero.

FUNCIONAMIENTO

Problemas	Causas posibles y solución
Fuga de agua	<p>Las mangueras no están conectadas correctamente.</p> <ul style="list-style-type: none"> • Verifique la presencia de fugas, rajaduras o quebraduras en las mangueras y los conectores. • Compruebe y apriete las conexiones de las mangueras.
	<p>Los tubos de drenaje están obstruidos.</p> <ul style="list-style-type: none"> • La lavadora bombea agua a mucha velocidad. Verifique si el agua vuelve de la tubería de desagüe durante el desagote. Si ve que sale agua del desagüe, compruebe que la manguera de desagüe esté correctamente instalada y verifique que no existan obstrucciones en el desagüe. • Llame a un fontanero para reparar la tubería de desagüe.
	<p>La manguera de desagüe se salió del conector del desagüe o no está introducida lo suficiente.</p> <ul style="list-style-type: none"> • Amarre la manguera de desagüe a la manguera de entrada o al tubo independiente para evitar que se salga durante el desagote. • Para tuberías de desagüe más pequeñas, inserte la manguera de desagüe en la tubería hasta la brida de la manguera. Para tuberías de desagüe de mayores dimensiones, inserte la manguera de desagüe en la tubería pasando de 1 a 2 pulgadas la brida de la manguera.
	<p>Un objeto grande como una almohada o manta está por encima de la parte superior del tambor.</p> <ul style="list-style-type: none"> • Use el ciclo Bedding (Ropa de cama) para lavar artículos voluminosos o de grandes dimensiones. Tenga mucho cuidado y nunca lave más de media carga de artículos que flotan como, por ejemplo, almohadas. • Detenga la lavadora y compruebe la carga. Asegúrese de que la carga no se encuentre por encima del borde superior del tambor.
	<p>Exceso de espuma del detergente</p> <ul style="list-style-type: none"> • El exceso de espuma puede generar fugas y puede estar ocasionado por el tipo y la cantidad de detergente utilizado. El único detergente recomendado es el de alta eficiencia (HE). La cantidad normal de detergente que debe utilizarse es de 1/4 a 1/2 de la cantidad máxima recomendada por el fabricante de detergente. • Siempre reduzca la cantidad de detergente si la carga es pequeña, está poco sucia, o si el agua es muy suave. • Nunca utilice más de la cantidad máxima recomendada por el fabricante del detergente.
Espuma excesiva	<p>Demasiado detergente o detergente incorrecto</p> <ul style="list-style-type: none"> • Los detergentes HE están formulados específicamente para lavadoras de alta eficiencia y contienen agentes de reducción de espuma. Use solo detergente con el logotipo de alta eficiencia (HE). • Para conocer las cantidades de detergente, consulte Uso de detergente en FUNCIONAMIENTO. Si el exceso de espuma o el residuo de detergente siguen siendo un problema, añada un enjuague adicional.
La lavadora no enciende.	<p>El cable de alimentación no está enchufado correctamente.</p> <ul style="list-style-type: none"> • Asegúrese de que el enchufe esté conectado de manera segura en un tomacorriente de 120 V CA, 60 Hz de 3 clavijas con conexión a tierra.
	<p>Se quemó el fusible del hogar, saltó el interruptor de corriente o hay un corte de energía.</p> <ul style="list-style-type: none"> • Restablezca el interruptor de corriente o reemplace el fusible. No aumente la potencia nominal del fusible. Si el problema es una sobrecarga del circuito, llame a un electricista calificado para que lo solucione.

Problemas	Causas posibles y solución
<p>El ciclo de lavado es más prolongado que lo normal.</p>	<p>La lavadora automáticamente ajusta el tiempo del lavado según la cantidad de ropa, la presión del agua y otras condiciones de funcionamiento.</p> <ul style="list-style-type: none"> • Esto es normal. La lavadora automáticamente ajusta el tiempo del ciclo a fin de lograr resultados óptimos con el ciclo seleccionado. El tiempo restante que aparece en la pantalla es solo una estimación. El tiempo real puede variar.
<p>El detergente no se dispensa o se dispensa de forma incompleta</p>	<p>Los compartimientos de detergente están obstruidos por haber sido llenados de forma incorrecta.</p> <ul style="list-style-type: none"> • Asegúrese de colocar el detergente y los aditivos en los compartimientos correctos del dispensador. • Para todos los tipos de detergente, asegúrese siempre de que el cajón del dispensador esté completamente cerrado antes del inicio del ciclo. <p>Se utilizó demasiado detergente.</p> <ul style="list-style-type: none"> • Asegúrese de utilizar la cantidad de detergente sugerida de acuerdo con las recomendaciones del fabricante. Podría también diluir el detergente con agua hasta la línea de llenado máximo del compartimiento para evitar que este se obstruya. Utilice solamente detergente de alta eficiencia (HE). <ul style="list-style-type: none"> - Siempre utilice la menor cantidad de detergente que sea posible. Las lavadoras de alta eficiencia necesitan muy poca cantidad de detergente para lograr óptimos resultados. Si usa mucho detergente, puede hacer que el lavado y el enjuague sean deficientes y contribuir a que se produzcan olores en la lavadora. <p>Suministro de agua insuficiente</p> <ul style="list-style-type: none"> • Asegúrese de que tanto la llave de agua fría como la de agua caliente estén abiertas por completo. <p>Residuo normal</p> <ul style="list-style-type: none"> • Es normal que quede una pequeña cantidad de detergente en el dispensador. Si este residuo se acumula, puede interferir con el ingreso normal de los detergentes a la lavadora. Consulte las instrucciones de limpieza.

Problemas	Causas posibles y solución
La lavadora no funciona.	El panel de control se ha apagado por estar inactivo. <ul style="list-style-type: none"> • Esto es normal. Presione el botón de Encendido/Apagado para encender la lavadora.
	La lavadora está desenchufada. <ul style="list-style-type: none"> • Asegúrese de que el cable de alimentación esté conectado de manera segura a un tomacorriente.
	El suministro de agua está cerrado. <ul style="list-style-type: none"> • Abra por completo las llaves de agua fría y caliente.
	Los controles no están configurados correctamente. <ul style="list-style-type: none"> • Asegúrese de que el ciclo haya sido configurado correctamente, cierre la tapa y presione el botón Inicio/Pausa para iniciar el ciclo de lavado.
	La tapa está abierta. <ul style="list-style-type: none"> • Cierre la tapa y asegúrese de que no haya nada atrapado debajo de esta que le impida cerrarse por completo.
	Saltó el interruptor de corriente/se quemó el fusible. <ul style="list-style-type: none"> • Revise los disyuntores/fusibles del hogar. Reemplace los fusibles o reinicie el interruptor. La lavadora debe estar conectada a un circuito derivado exclusivo.
	Inicio/Pausa no se presionó este botón después de configurar el ciclo. <ul style="list-style-type: none"> • Presione el botón de Encendido/Apagado, luego seleccione nuevamente el ciclo deseado y presione el botón de Inicio/Pausa. Si el botón Inicio/Pausa no se presiona en cierto tiempo, la lavadora se apagará. (El tiempo varía según el modelo, de 4 a 60 minutos.)
	Presión de agua extremadamente baja. <ul style="list-style-type: none"> • Compruebe otro grifo de la casa para asegurarse de que la presión del suministro de agua doméstico es la adecuada.
La lavadora no se llena correctamente.	La lavadora está demasiado fría. <ul style="list-style-type: none"> • Si la lavadora ha estado expuesta a temperaturas de congelación por un largo período de tiempo, permita que entre en calor antes de presionar el botón Encendido/Apagado. De lo contrario, la pantalla no se encenderá.
	El filtro está tapado. <ul style="list-style-type: none"> • Asegúrese de que los filtros de entrada en las válvulas de llenado no estén obstruidos. Consulte Limpieza de los filtros de entrada de agua en MANTENIMIENTO.
	Las mangueras pueden estar retorcidas. <ul style="list-style-type: none"> • Asegúrese de que las mangueras de entrada no se encuentren retorcidas ni obstruidas.
	Eficiencia en el consumo de energía <ul style="list-style-type: none"> • Esta es una lavadora de Alta Eficiencia (HE). Por lo tanto, puede que la configuración del nivel de agua para ella sea diferente a la de una lavadora convencional.
	Suministro de agua insuficiente <ul style="list-style-type: none"> • Asegúrese de que tanto la llave de agua fría como la de agua caliente estén abiertas por completo.
	La tapa de la lavadora se encuentra abierta. <ul style="list-style-type: none"> • Cierre la tapa y asegúrese de que no haya nada atrapado debajo de esta que le impida cerrarse por completo.
	El nivel de agua es muy bajo. <ul style="list-style-type: none"> • Normalmente el agua no cubrirá las prendas. El nivel de llenado es optimizado para que los movimientos de lavado alcancen los mejores rendimientos.

Problemas	Causas posibles y solución
El agua en la lavadora no drena o lo hace lentamente.	La manguera de desagüe está retorcida, pellizcada u obstruida. <ul style="list-style-type: none"> Asegúrese que la manguera de drenaje esté libre de atascos o torceduras, y que no esté apretada detrás o debajo de la lavadora.
	El extremo de la manguera de drenaje está a más de 96 pulgadas (2.4 m) en relación al fondo de la lavadora. <ul style="list-style-type: none"> Mueva el extremo de la manguera de drenaje para que esté a menos de 96 pulgadas (2.4 m).
No se dispensa el blanqueador.	La cubierta del dispensador de blanqueador no está instalada correctamente (en algunos modelos). <ul style="list-style-type: none"> Asegúrese de que la cubierta del blanqueador se encuentre instalada correctamente y bien encastrada en su lugar antes de iniciar el ciclo.
	El dispensador de blanqueador está sucio u obstruido. <ul style="list-style-type: none"> Levante la cubierta del dispensador de blanqueador y limpie la reserva. Puede que pelusa y otros residuos extraños que estén acumulados dentro del dispensador prevengan el dispensado apropiado del mismo.
El blanqueador se dispensa antes de tiempo	El dispensador se ha llenado para un uso futuro. <ul style="list-style-type: none"> No puede almacenar blanqueador en el dispensador para que sea utilizado en el futuro. El blanqueador se dispensará en cada carga.
	Llenado en exceso del dispensador de blanqueador. <ul style="list-style-type: none"> Llenar en exceso el dispensador de blanqueador causará que éste se dispense inmediatamente, dañando así sus prendas o la lavadora. Siempre mida el blanqueador, pero nunca llene sobre la línea de llenado máximo en el dispensador. Media taza de blanqueador es suficiente para la mayoría de cargas. Nunca utilice más de 1 taza de blanqueador.

Desempeño

Problemas	Causas posibles y solución
Arrugas	La ropa no se retira de la lavadora pronto. <ul style="list-style-type: none"> Siempre retire las prendas de la lavadora tan pronto como termine el ciclo.
	Lavadora sobrecargada. <ul style="list-style-type: none"> La lavadora puede llenarse por completo, pero el tambor no debe quedar demasiado lleno de artículos. La tapa de la lavadora debe cerrar fácilmente.
	Las mangueras de entrada de agua fría y caliente están invertidas. <ul style="list-style-type: none"> Un enjuague con agua caliente puede ocasionar arrugas en las prendas. Compruebe los conectores de las mangueras de entrada.

Problemas	Causas posibles y solución
Manchas	<p>El blanqueador o el suavizante se dispensan antes de tiempo.</p> <ul style="list-style-type: none"> • El compartimiento del dispensador se llenó en exceso, lo que provocó que el blanqueador o el suavizante se dispensen inmediatamente. Siempre mida el blanqueador, y nunca use más de 1 taza.
	<p>El blanqueador o suavizante fue añadido directamente al lavado en la tina.</p> <ul style="list-style-type: none"> • Siempre use los dispensadores para asegurarse de que los productos de lavandería se dispensen en el momento adecuado del ciclo.
	<p>La ropa no se retiró de la lavadora a tiempo.</p> <ul style="list-style-type: none"> • Siempre retire las prendas de la lavadora tan pronto como sea posible en cuanto termine el ciclo.
	<p>Las prendas no se clasificaron correctamente.</p> <ul style="list-style-type: none"> • Siempre lave los colores oscuros separados de los colores claros y los blancos para evitar que se produzca decoloración. • Nunca lave ropa muy sucia con ropa poco sucia.
Eliminación de manchas deficiente	<p>No se seleccionaron opciones adecuadas.</p> <ul style="list-style-type: none"> • Las manchas más difíciles y densas pueden requerir potencia de lavado adicional. Seleccione la función Soak (Remojo) o Stain Care (Cuidado de manchas) para aumentar la potencia de limpieza del ciclo elegido.
	<p>Manchas que se han fijado previamente.</p> <ul style="list-style-type: none"> • Las prendas que ya han sido lavadas pueden tener manchas que se han fijado. Puede ser difícil eliminar estas manchas, que quizás requieran un lavado a mano o un tratamiento previo para quitarlas.
Olor a humedad o a moho en la lavadora	<p>Se ha usado demasiado detergente o uno del tipo incorrecto.</p> <ul style="list-style-type: none"> • Siempre utilice solo detergente de alta eficiencia (HE) de acuerdo con las instrucciones del fabricante.
	<p>El interior del tambor no se limpió correctamente.</p> <ul style="list-style-type: none"> • Ejecute el ciclo Tub Clean (Limpieza de la tina) regularmente.

GARANTÍA LIMITADA

EE. UU.

TÉRMINOS Y CONDICIONES

AVISO DE ARBITRAJE: ESTA GARANTÍA LIMITADA CONTIENE UNA CLÁUSULA DE ARBITRAJE QUE LES DEMANDA A USTED Y A LG ELECTRONICS (“LG”) A RESOLVER CONFLICTOS A TRAVÉS DE UN ARBITRAJE VINCULANTE EN LUGAR DE HACERLO EN LA CORTE, A MENOS QUE USTED DECIDA NO PARTICIPAR. EN EL ARBITRAJE NO ESTÁN PERMITIDAS LAS ACCIONES COLECTIVAS NI LOS JUICIOS CON JURADO. POR FAVOR, VEA A CONTINUACIÓN LA SECCIÓN TITULADA “PROCEDIMIENTO PARA RESOLVER CONFLICTOS”.

Si su lavadora LG (“Producto”) fallara debido a defectos de materiales o de fabricación en el uso doméstico normal y correcto, durante el período de garantía que se establece a continuación, LG tendrá la opción de reparar o reemplazar el Producto. Esta garantía limitada solo es válida para el comprador minorista original del Producto (“Usted”) y será vigente solo cuando se compre legalmente y se use dentro de los Estados Unidos y de los territorios estadounidenses.

PERÍODO DE GARANTÍA		
Arandela	Tambor de Acero Inoxidable	Motor Direct Drive (Estator y rotor)
Piezas (solo piezas internas o funcionales) y mano de obra: un (1) año a partir de la fecha original de compra	Solo piezas: tres (3) años a partir de la fecha original de compra Usted será responsable de cualquier costo de mano de obra.	Solo piezas: diez (10) años a partir de la fecha original de compra Usted será responsable de cualquier costo de mano de obra.

- Los productos y las piezas de repuesto están garantizados durante el tiempo restante del período original de garantía o noventa (90) días, lo que resulte mayor.
- Los productos y las piezas de repuesto pueden ser nuevos, reparados, reacondicionados, o reconstruidos por la fábrica.
- Los productos y las piezas reemplazados deben ser propiedad de LG.
- Para obtener el servicio de garantía conforme a esta garantía limitada, se exige evidencia de la compra original que especifique el modelo del Producto y la fecha de compra. En el caso de que no haya evidencia de compra, la fecha de inicio de la garantía será noventa (90) días a partir de la fecha de fabricación.

SALVO DISPOSICIÓN LEGAL CONTRARIA, CUALQUIER GARANTÍA IMPLÍCITA DE POSIBILIDAD DE COMERCIALIZACIÓN O ADECUACIÓN DEL PRODUCTO PARA UNA FINALIDAD ESPECÍFICA ESTÁ LIMITADA EN DURACIÓN A AQUELLA DE LA GARANTÍA LIMITADA PRECEDENTE. BAJO NINGUNA CIRCUNSTANCIA LG NI SUS DISTRIBUIDORES/CONCESIONARIOS EN LOS ESTADOS UNIDOS SERÁN RESPONSABLES DE NINGÚN DAÑO INDIRECTO, INCIDENTAL, EMERGENTE, ESPECIAL NI PUNITIVO DE NINGÚN TIPO, LO QUE INCLUYE SIN LIMITACIONES, PÉRDIDA DEL BUEN NOMBRE DEL NEGOCIO, PÉRDIDA DE INGRESOS O GANANCIAS, CESACIÓN DEL EMPLEO, DETERIORO DE OTROS BIENES, COSTOS DE RETIRO Y REINSTALACIÓN DEL PRODUCTO, PÉRDIDA DE USO O CUALQUIER OTRO DAÑO BASADO EN CONTRATO, RESPONSABILIDAD CIVIL U OTROS. LA RESPONSABILIDAD TOTAL DE LG, SI EXISTE, NO SUPERARÁ EL PRECIO QUE USTED HAYA PAGADO POR EL PRODUCTO.

ALGUNOS ESTADOS NO PERMITEN LA EXCLUSIÓN O LIMITACIÓN DE DAÑOS INCIDENTALES O EMERGENTES, O LIMITACIONES A LA DURACIÓN DE LA GARANTÍA IMPLÍCITA, POR LO QUE LA EXCLUSIÓN O LIMITACIÓN ANTERIORMENTE MENCIONADAS PODRÍAN NO CORRESPONDER EN SU CASO. ESTA GARANTÍA LE OTORGA DERECHOS LEGALES ESPECÍFICOS Y ES POSIBLE QUE USTED CUENTE CON OTROS DERECHOS QUE VARÍAN SEGÚN EL ESTADO.

ESTA GARANTÍA LIMITADA NO CUBRE LO SIGUIENTE:

- Viajes de servicio para i) entregar, recoger, o instalar el producto; instruir sobre cómo operar el producto; ii) corregir cableado; o iii) corregir reparaciones o instalaciones no autorizadas.
- Daño o fallo del producto al operar durante fallas e interrupciones del suministro eléctrico, o resultado de un servicio eléctrico inadecuado.
- Daños o fallo del producto causados por tuberías de agua rotas o con fugas, tuberías de agua congeladas, líneas de desagüe restringidas, suministro de agua inadecuado o interrumpido, o suministro de aire inadecuado.
- Daños o fallos del Producto que resulten de operarlo en una atmósfera corrosiva o en un entorno inapropiado, o de forma contraria al manual del propietario del Producto.
- Daños o fallos del Producto causados por accidentes, pestes y alimañas, rayos, viento, incendios, inundaciones, pandemias o hechos de fuerza mayor, o cualquier otra causa ajena al control de LG.
- Daños o fallos del Producto que resulten del mal uso, el maltrato, la instalación, la reparación o el mantenimiento incorrectos, o el servicio no aprobado por LG. Las reparaciones incorrectas incluyen el uso de piezas no autorizadas ni especificadas por LG. Las reparaciones e instalaciones incorrectas incluyen aquellas que sean contrarias al manual del propietario del Producto.
- Daños o fallos del Producto que resulten de una modificación o alteración no autorizada, o cualquier otro daño o fallo en la propiedad que resulte de fugas de agua donde el Producto no esté correctamente instalado conforme al manual del propietario del Producto.
- Daños o fallos del Producto causados por corriente o voltaje eléctricos incorrectos, o por códigos de fontanería.
- Daños o fallos del Producto causados por el uso de piezas, accesorios, componentes, productos de limpieza consumibles, o cualquier otro producto, no aprobados por LG.
- Reemplazo de focos, filtros, fusibles o cualquier otra parte consumible.
- Daños o fallos del Producto causados por el transporte, el almacenamiento y/o el manejo que incluye rayas, muescas, astillado y otros daños al acabado del Producto, a menos que tales daños se informen dentro del plazo de una (1) semana de la entrega.
- Daños o artículos faltantes a productos comprados con descuento, con la caja abierta o que hayan estado en exhibición.
- Productos reacondicionados o cualquier producto vendido con los avisos "En el estado actual", "En el sitio actual", "Con todos sus defectos" o similares.
- Productos cuyos números de serie originales hayan sido retirados o alterados, o que no se puedan determinar fácilmente a criterio de LG.
- Aumentos en los costos de los servicios públicos y otros gastos adicionales de dichos servicios que de alguna manera estén asociados con el producto.
- Cualquier ruido asociado con la operación normal.
- Productos usados de otra forma que no sea el uso doméstico correcto y normal, que incluye, entre otros, el uso comercial o industrial, o el uso en oficinas, instalaciones recreativas o vehículos, o diferente a lo descrito en el manual del propietario del Producto.
- Costos asociados con el retiro y/o la reinstalación de su Producto.
- Remoción y reinstalación del Producto si es instalado en una ubicación inaccesible o si no está instalado de acuerdo con el manual del propietario del Producto.

El costo de la reparación o el reemplazo en estas circunstancias excluidas estará a su cargo.

PARA OBTENER SERVICIO EN GARANTÍA E INFORMACIÓN ADICIONAL

Llame al 1-800-243-0000 y seleccione la opción apropiada desde el menú.

O visite nuestro sitio web en <http://www.lg.com>

O por correo postal a: LG Electronics, P.O. Box 240007 Huntsville, AL 35813 Atención: Atención al cliente

PROCEDIMIENTO PARA RESOLVER CONFLICTOS:

TODOS LOS CONFLICTOS ENTRE USTED Y LG QUE SURJAN FUERA DE O RELACIONADOS DE ALGUNA MANERA CON ESTA GARANTÍA LIMITADA O CON EL PRODUCTO, SE RESOLVERÁN EXCLUSIVAMENTE A TRAVÉS DE UN ARBITRAJE VINCULANTE Y NO EN UNA CORTE DE JURISDICCIÓN GENERAL. ARBITRAJE VINCULANTE SIGNIFICA QUE USTED Y LG RENUNCIAN AL DERECHO DE UN JUICIO CON JURADO Y A REALIZAR O PARTICIPAR EN UNA DEMANDA COLECTIVA.

Definiciones. Para el propósito de esta sección, las referencias a "LG" significan: LG Electronics U.S.A., Inc., sus empresas matrices, subsidiarias y filiales y cada uno de sus directivos, directores, empleados, agentes, beneficiarios, predecesores en interés, sucesores, cesionarios y proveedores; las referencias a "conflicto" o "reclamación" incluirán cualquier conflicto, reclamo o controversia de cualquier tipo, sin importar (ya sea basado en contrato, agravio, estatuto, regulación, ordenanza, fraude, falsa representación o cualquier teoría legal o equitativa) que surja de o esté relacionada con cualquier forma de venta, condición o desempeño del producto o de esta Garantía Limitada.

Aviso de disputa. En caso de que usted desee iniciar un procedimiento de arbitraje, primero debe notificar a LG por escrito al menos 30 días antes de iniciar el arbitraje enviando una carta a LG a LG Electronics, USA, Inc. Atención: Legal Department- Arbitration 111 Sylvan Avenue, Englewood Cliffs, NJ 07632. Usted y LG aceptan participar en discusiones de buena fe en un intento de resolver su reclamo de manera amistosa. En la carta debe proporcionar su nombre, dirección y número de teléfono; identificar el producto que es objeto de la reclamación; y describir la naturaleza del reclamo y el remedio que busca. Si usted y LG no pueden resolver la disputa dentro de 30 días, cualquiera de las partes puede proceder a presentar una demanda de arbitraje.

Acuerdo de arbitraje vinculante y renuncia de demanda colectiva. En caso de no resolver la disputa durante el período de 30 días después de enviar una notificación por escrito a LG, Usted y LG se comprometen a resolver cualquier reclamo entre nosotros, solamente a través de arbitraje vinculante sobre una base individual, a menos que usted se excluya, conforme a lo dispuesto a continuación. Cualquier conflicto entre usted y LG no estarán combinados o consolidados con una controversia relacionada con cualquier otro producto o reclamo de otra persona o entidad. Más específicamente y sin perjuicio de lo anterior, no procederá bajo ninguna circunstancia cualquier disputa entre usted y LG como parte de una acción colectiva o representativa. En lugar del arbitraje, cualquiera de las partes podrá iniciar una acción individual en la corte de reclamos menores, pero tales acciones en la corte de reclamos menores no podrán ser realizadas en una acción colectiva o representativa.

Normas y procedimientos de arbitraje. Para comenzar con el arbitraje de un reclamo, usted o LG deben realizar una demanda escrita para arbitraje. El arbitraje será administrado por la Asociación Americana de Arbitraje (AAA) y se llevará a cabo ante un árbitro único bajo las Normas de Arbitraje del Consumidor de la AAA, que tienen efecto al momento de inicio del arbitraje (en adelante "Normas de la AAA") y bajo los procedimientos establecidos en esta sección. Las Normas de la AAA están disponibles en línea en www.adr.org/consumer. Envíe una copia de su solicitud de arbitraje por escrito, así como una copia de esta disposición, a la AAA de la forma descrita en las Normas de la AAA. También debe enviar una copia de su solicitud por escrito a LG en LG Electronics, USA, Inc. Atención: Legal Department- Arbitration 111 Sylvan Avenue, Englewood Cliffs, NJ 07632. Si hay un conflicto entre las Normas de la AAA y las reglas establecidas en esta sección, prevalecerán dichas reglas de esta sección. Esta disposición de arbitraje se rige por la Ley Federal de Arbitraje. El juicio se puede introducir en el laudo arbitral en cualquier tribunal de jurisdicción competente. Todos son temas para que el árbitro tome sus decisiones, excepto aquellos asuntos relativos al alcance y aplicabilidad de la cláusula de arbitraje y de la capacidad de arbitraje de la controversia para que el tribunal decida. El árbitro se regirá por los términos de esta disposición.

Legislación vigente. La legislación del estado de su residencia regirá esta Garantía Limitada, así como todas las disputas entre nosotros, salvo que sea invalidada o inconsistente con leyes federales aplicables.

Tarifas / Costos. Usted no debe pagar ninguna tarifa para comenzar un arbitraje. Al recibir su solicitud de arbitraje por escrito, LG pagará todos los gastos administrativos rápidamente a la AAA, a menos que usted solicite más de \$25,000.00 por daños, en cuyo caso el pago de estos gastos se regirá por las Normas de la AAA. Salvo disposición contraria prevista en el presente documento, LG pagará a la AAA todos los gastos documentales, administrativos y de arbitraje para cualquier arbitraje iniciado, de conformidad con las Normas de la AAA y esta disposición de arbitraje. Si usted prevalece en el arbitraje, LG pagará los honorarios y gastos de sus abogados, siempre y cuando sean razonables, considerando factores que incluyen, entre otros, el monto de la compra y el monto del reclamo. No obstante lo anterior, si la ley aplicable permite una adjudicación de honorarios y gastos razonables de abogados, un árbitro puede otorgarlos en la misma medida que lo haría un tribunal. Si el árbitro considera que la sustancia de su

reclamo o la reparación solicitada en la demanda es frívola o se utiliza para un propósito inadecuado (calificado según las normas establecidas en la Norma Federal de Procedimiento Civil 11 (b)), el pago de todos los honorarios de arbitraje se regirá por las Normas de la AAA. En tal situación usted se compromete a reembolsar a LG todos los fondos erogados previamente por ella, cuyo pago es, por otra parte, su obligación, según las Normas de la AAA. Salvo disposición contraria, LG renuncia a cualquier derecho que pudiera tener para solicitarle los honorarios y gastos de sus abogados, si LG prevalece en el arbitraje.

Audiencias y ubicación. Si su reclamo es por \$25,000 o menos, usted puede optar que el arbitraje sea realizado únicamente sobre la base de: (1) documentos presentados al árbitro, (2) a través de una audiencia telefónica o (3) por una audiencia en persona, según lo establecido por las Normas de la AAA. Si su reclamo excede \$25,000, el derecho a una audiencia estará determinado por las Normas de la AAA. Cualquier audiencia de arbitraje en persona se realizará en un lugar dentro del distrito judicial federal en el cual resida, a menos que ambos acuerden otra ubicación o estemos de acuerdo con el arbitraje telefónico.

Exclusión. Usted puede quedarse fuera de este procedimiento de resolución de la disputa. Si se excluye, ni usted ni LG pueden solicitar al otro que participe en un procedimiento de arbitraje. Para excluirse usted debe enviar una notificación a LG, en un lapso de hasta 30 días continuos, contados a partir de la fecha de la primera compra del consumidor del producto, ya sea por: (i) el envío de un correo electrónico a optout@lge.com con el siguiente Asunto: "Exclusión del arbitraje" o (ii) llamada al 1-800-980-2973. Debe incluir en el correo electrónico de exclusión o suministrar por teléfono: (a) su nombre y dirección; (b) la fecha en la cual el producto fue comprado; (c) el nombre o el número del modelo del producto; y (d) el número del serial (el número del serial puede ser hallado (i) en el producto, o (ii) en la dirección de <https://www.lg.com/us/support/repair-service/schedule-repair-continued> al hacer clic en "Find My Model & Serial Number").

Sólo puede excluirse del procedimiento de resolución de conflictos en la forma descrita anteriormente (es decir, por correo electrónico o por teléfono); ninguna otra forma de notificación será efectiva para hacerlo. Excluirse de este procedimiento de resolución de controversias no afectará de ninguna manera la cobertura de la Garantía Limitada, por lo que usted continuará disfrutando de todos sus beneficios. Si conserva este producto y no se excluye, usted acepta todos los términos y condiciones de la cláusula de arbitraje descrita anteriormente.



MANUEL D'UTILISATION

LAVEUSE

Veillez lire attentivement le présent manuel de l'utilisateur avant de faire fonctionner l'appareil et conservez-le à portée de la main pour le consulter en tout temps.

FRANÇAIS

WT7150C* / WT7000C*



MFL68267084
Rev.01_061021

www.lg.com

Copyright © 2021 LG Electronics Inc. Tous droits réservés

TABLE DES MATIÈRES

3 CONSIGNES DE SÉCURITÉ IMPORTANTES

- 3 LISEZ TOUTES LES CONSIGNES AVANT L'UTILISATION
- 3 AVERTISSEMENTS
- 7 MISES EN GARDE

8 APERÇU DU PRODUIT

- 8 Caractéristiques du produit

10 INSTALLATION

- 10 Avant l'installation
- 11 Choix de l'emplacement adéquat
- 12 Déballage et retrait des matériaux d'expédition
- 13 Raccordement des tuyaux d'arrivée d'eau
- 14 Raccordement du tuyau de vidange
- 15 Mise au niveau de la laveuse
- 16 Vérification de l'installation finale

18 FONCTIONNEMENT

- 18 Avant l'utilisation
- 19 Tri des articles
- 20 Chargement de la laveuse
- 21 Ajout de produits de nettoyage
- 25 Panneau de commande
- 28 Cycles de lavage
- 31 Modificateurs de cycle
- 31 Autres options et fonctionnalités

35 FONCTIONS INTELLIGENTES

- 35 Application LG ThinQ
- 35 Fonctionnalité Smart Diagnosis^{MC}

36 ENTRETIEN

- 36 Nettoyage régulier
- 36 Entretien périodique
- 39 Entretien dans les climats froids

41 DÉPANNAGE

- 41 Avant d'appeler le réparateur

50 GARANTIE LIMITÉE

- 50 POUR CANADA

CONSIGNES DE SÉCURITÉ IMPORTANTES

LISEZ TOUTES LES CONSIGNES AVANT L'UTILISATION

Messages de sécurité

Il est très important d'assurer votre sécurité et celle des autres.

Nous fournissons de nombreux conseils de sécurité importants dans ce manuel et sur votre appareil. Lisez toujours l'ensemble des messages de sécurité et respectez-les.



Ceci est le symbole d'alerte de sécurité.

Ce symbole est destiné à vous alerter des dangers potentiels pouvant entraîner la mort ou des blessures. Tous les messages de sécurité seront précédés du symbole d'alerte de sécurité et du terme AVERTISSEMENT ou MISE EN GARDE.

Voici le message que ces mots véhiculent :



AVERTISSEMENTS

Vous pouvez être tué ou gravement blessé si vous ne suivez pas les consignes.



MISES EN GARDE

Vous pouvez être légèrement blessé ou pouvez endommager le produit si vous ne suivez pas les consignes.

Tous les messages de sécurité vous indiqueront quel est le danger potentiel, comment réduire les risques de blessures et ce qui peut se produire en cas de non-respect des consignes.

AVERTISSEMENTS

AVERTISSEMENT

- Pour réduire les risques d'explosion, d'incendie, de mort, de décharge électrique, de brûlure ou de blessures lors de l'utilisation de l'appareil, prenez les précautions élémentaires, y compris les suivantes :

Installation

- Respectez toutes les procédures de sécurité recommandées de l'industrie, y compris le port de gants à longs poignets et de lunettes de sécurité.
- N'essayez jamais d'utiliser cet appareil s'il est endommagé, défectueux ou partiellement désassemblé, s'il manque des pièces ou si des pièces, y compris le câble et la fiche, sont endommagées.
- Avant d'être utilisé, l'appareil doit être installé conformément aux directives de ce manuel.
- Pour réduire le risque de blessure grave ou de décès, suivez toutes les consignes d'installation.
- Consultez la section DIRECTIVES D'INSTALLATION pour voir la procédure détaillée de mise à la terre. Des directives d'installation sont incluses avec l'appareil pour que l'installateur puisse les consulter. Si vous déménagez l'appareil, faites-le inspecter et réinstaller par un technicien qualifié.
- Au moins deux personnes sont requises pour déplacer ou installer l'appareil.
- N'installez pas l'appareil dans un endroit humide.
- Entrez et installez l'appareil dans un endroit où il ne sera pas exposé à des températures sous le point de congélation ni aux intempéries.
- Cet appareil n'est pas conçu pour un usage nautique ou mobile, comme dans un véhicule récréatif, une roulotte ou un avion.

4 CONSIGNES DE SÉCURITÉ IMPORTANTES

- Il est fortement recommandé de ne pas utiliser de bac de vidange lors de l'installation de cet appareil, car l'eau stagnante contenue dans le bac de vidange pourrait augmenter le risque de décharge électrique, de blessures ou de décès.
- Gardez le matériel d'emballage hors de portée des enfants. Le matériel d'emballage pose un danger pour les enfants. Il y a un risque de suffocation.
- Détruisez l'emballage en carton, le sac en plastique et tout autre matériel d'emballage après avoir déballé l'appareil. Les enfants pourraient jouer avec ces articles. Le carton, lorsque recouvert de tapis, de draps ou de pellicule de plastique, peut se transformer en chambre étanche.
- L'appareil doit être installé et mis à la terre conformément au code du bâtiment local par le personnel qualifié.
- Lorsque vous installez ou déplacez l'appareil, faites attention de ne pas pincer, écraser, ni endommager le câble d'alimentation.
- Branchez l'appareil dans un circuit électrique à protection, à valeurs nominales et de taille adéquates pour éviter une surcharge électrique.
- Cet appareil doit être placé près d'une prise électrique.
- Débranchez le cordon d'alimentation, le fusible de maison ou le disjoncteur avant l'installation ou un entretien de l'appareil.
- Le cordon d'alimentation de cet appareil est équipé d'une fiche à trois broches (mise à la terre) qui va dans une prise à trois trous (mise à la terre) standard, afin de minimiser la possibilité de décharge électrique.
- Ne coupez ni n'enlevez jamais la broche de mise à la terre du câble d'alimentation.
- Utilisez des tuyaux neufs pour raccorder l'appareil à l'alimentation en eau. Ne réutilisez pas des tuyaux usagés.

Fonctionnement

- Lisez toutes les instructions avant d'utiliser l'appareil et conservez ces instructions.
- N'utilisez l'appareil qu'aux fins pour lesquelles il est conçu.
- Si le produit a été immergé dans l'eau, qu'il a reposé dans l'eau stagnante ou qu'il s'est retrouvé gorgé d'eau, ne lui touchez surtout pas et contactez immédiatement le Centre d'information à la clientèle de LG Electronics pour obtenir des instructions avant de reprendre l'utilisation.
- Si vous entendez un son étrange, si vous détectez une odeur de produit chimique ou de brûlé, ou si vous voyez de la fumée provenant de l'appareil, débranchez-le immédiatement et communiquez avec le Centre d'information à la clientèle de LG Electronics.
- Dans certaines conditions, de l'hydrogène peut se former dans un système d'eau chaude qui n'a pas été utilisé pendant deux semaines ou plus. L'HYDROGÈNE EST UN GAZ EXPLOSIF. Si le système d'eau chaude n'a pas servi pendant une telle durée, ouvrez tous les robinets d'eau chaude et laissez l'eau couler pendant plusieurs minutes avant d'utiliser l'appareil. Cette procédure permettra d'évacuer toute trace d'hydrogène accumulé. Comme l'hydrogène est un gaz inflammable, ne fumez pas pendant ce temps, et n'utilisez pas de feu.
- Ne mettez pas vos mains dans la laveuse si la cuve, le tambour, l'agitateur ou toute autre partie intérieure bouge. Avant de charger, de décharger ou d'ajouter des articles, appuyez sur le bouton **Démarrer/pause** et attendez que la cuve ou le tambour s'arrête complètement avant de mettre vos mains à l'intérieur.
- Cet appareil n'est pas destiné à être utilisé par des personnes (y compris des enfants) dont les capacités physiques, mentales ou sensorielles sont réduites, ou qui n'ont pas l'expérience ou les connaissances pour le faire, à moins d'avoir reçu des instructions et d'avoir été supervisées par une personne responsable de leur sécurité.
- Ne laissez pas les enfants ou les animaux jouer dans, avec ou sur l'appareil. Vous devez superviser de près les enfants ou les animaux lorsque vous utilisez l'appareil et qu'ils sont à proximité.
- Gardez les produits de lessive hors de la portée des enfants. Pour prévenir les blessures, respectez tous les avertissements sur les étiquettes des produits.

- Réparez ou remplacez immédiatement tout câble d'alimentation effiloché ou endommagé. N'utilisez pas un câble avec des fissures ou des dommages d'abrasion sur sa longueur ou sur une de ses extrémités.
- Ne débranchez jamais l'appareil en tirant sur le cordon d'alimentation. Prenez toujours la fiche fermement et tirez-la de la prise de courant.
- N'utilisez pas de rallonge électrique ni d'adaptateur avec cet appareil.
- Ne saisissez pas le cordon d'alimentation et ne touchez pas les boutons de l'appareil avec les mains mouillées.
- Ne modifiez et ne prolongez pas le cordon d'alimentation.
- Si le cordon d'alimentation électrique est endommagé, il doit être remplacé par le fabricant uniquement ou par son agent de service ou encore une personne qualifiée possédant ce type de compétences pour éviter un risque.
- Ne placez pas d'articles huileux ou gras, de chandelles ou de matières inflammables au-dessus de l'appareil.
- Veillez à maintenir la zone située en-dessous et autour de vos appareils électroménagers dégagée de matières combustibles (peluche/charpie, papier, chiffons, etc.), d'essence, de produits chimiques et d'autres vapeurs ou liquides inflammables.
- N'entreposez ou n'utilisez pas d'essence ou d'autres vapeurs ou liquides inflammables à proximité de cet appareil ou d'autres appareils.
- Ne mélangez pas de javellisant chloré avec des agents acides comme le vinaigre. Suivez les directives de l'emballage lorsque vous utilisez des produits de lessive. Une utilisation incorrecte pourrait produire des gaz toxiques pouvant causer des blessures graves ou la mort.
- N'utilisez jamais de nettoyeurs forts, de nettoyeurs abrasifs, ni de solvants pour nettoyer la laveuse. Ils peuvent endommager le fini.
- Ne lavez pas les articles préalablement nettoyés, lavés, imbibés ou tachés avec de l'essence, des solvants de nettoyage à sec, de l'huile végétale, de l'huile de cuisson ou d'autres substances inflammables ou explosives, car ces substances dégagent des vapeurs susceptibles de s'enflammer ou d'exploser.
- N'ajoutez pas d'essence, de solvants de nettoyage à sec ou autres substances inflammables ou explosives dans l'eau de lavage. Ces substances dégagent des vapeurs qui peuvent s'enflammer ou exploser.
- En cas de fuite de gaz (propane, gaz naturel, etc.), ne faites pas fonctionner cet appareil ni tout autre appareil. Ouvrez immédiatement une fenêtre ou une porte pour aérer la zone.
- Ne modifiez pas les commandes.
- Fixez solidement le tuyau de vidange pour éviter les inondations.
- Ne forcez pas le couvercle de l'appareil et ne posez pas votre poids dessus.
- Gardez les mains et tout objet étranger à l'écart du couvercle et de la zone de verrouillage lorsque vous fermez le couvercle.
- Vérifiez toujours s'il y a des objets inhabituels à l'intérieur de l'appareil.

Entretien

- Ne réparez ou ne remplacez aucune pièce de l'appareil. Toutes les réparations et tous les entretiens doivent être effectués par un technicien d'entretien qualifié, à moins qu'il y ait d'autres recommandations précises dans ce manuel d'utilisation. N'utilisez que des pièces d'origine autorisées.
- Débranchez cet appareil de la prise électrique avant de le nettoyer et avant toute tentative d'entretien. L'utilisation du panneau de commande pour éteindre l'appareil ne coupe pas l'alimentation.
- Retirez toute poussière ou tout corps étranger des fiches du câble d'alimentation.
- Ne désassemblez pas et ne réparez pas l'appareil vous-même.
- Avant de mettre la laveuse hors service ou au rebut, retirez-en le couvercle pour éviter que des enfants ou des petits animaux y soient accidentellement enfermés.

6 CONSIGNES DE SÉCURITÉ IMPORTANTES

- Assurez-vous que le tiroir ou le rabat du distributeur est fermé en tout temps quand on ne le remplit pas de produits pour la lessive.

Instructions de mise à la terre

- La connexion incorrecte du conducteur pour relier les appareils à la terre peut créer un risque de décharge électrique. Vérifiez avec un électricien compétent ou un personnel de service si vous n'êtes pas certain que l'appareil est correctement mis à la terre. Ne modifiez pas la fiche fournie avec l'appareil; si elle ne rentre pas dans la prise, faites installer une prise appropriée par un électricien compétent.
- L'appareil doit être mis à la terre. En cas d'un mauvais fonctionnement ou d'une panne, la mise à terre réduira le risque de décharge électrique en fournissant le moins de résistance pour le courant électrique. L'appareil est équipé d'un cordon avec un conducteur pour relier les appareils à la terre. La fiche doit être branchée sur une prise appropriée, installée et reliée à la terre conformément aux codes et règlements locaux.

MISES EN GARDE

MISE EN GARDE

- Pour réduire les risques de blessures mineures, de pannes ou de dommages causés à l'appareil ou à la propriété lors de l'utilisation de l'appareil, prenez les précautions élémentaires, y compris les suivantes :

Installation

- Installez le produit sur un plancher ferme et au niveau.

Fonctionnement

- Ne placez pas d'objets sur le dessus de l'appareil.
- Fermez les robinets d'eau et débranchez l'appareil si vous quittez votre résidence pendant longtemps, comme lorsque vous partez en voyage.
- Suivez TOUJOURS les directives d'entretien du fabricant des articles.
- Utilisez uniquement de l'assouplissant ou des produits antistatiques conformément aux recommandations du fabricant.
- Ne combinez pas des produits de lessive dans une même brassée sauf si l'étiquette indique de le faire.
- Ne touchez pas à l'eau de vidange, qui peut être brûlante.
- Si le tuyau de vidange et le tuyau d'alimentation en eau sont gelés, dégelez-les avant d'utiliser l'appareil.
- Ne rangez pas et ne renversez pas les détergents liquides, les nettoyants ou les javellisants (au chlore ou à l'oxygène) sur le dessus de l'appareil. Cela pourrait entraîner de la corrosion, de la décoloration ou des dommages à la surface de l'appareil.
- Les vêtements ou les articles imperméables ou résistants à l'eau doivent être lavés à l'aide du cycle Imperméable seulement. (Par exemple, les vêtements résistants à l'eau, les housses de matelas, les vêtements de plein air, les tapis en plastique, etc.) Autrement, cela pourrait causer des blessures corporelles ou des dommages à la laveuse, aux vêtements, aux murs, au plancher et aux objets environnants en raison de vibrations anormales.

GARDEZ CES CONSIGNES

APERÇU DU PRODUIT

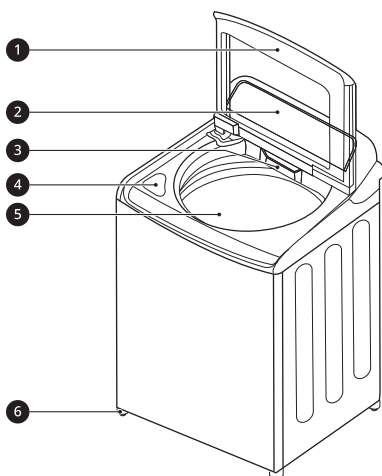
Caractéristiques du produit

Les illustrations contenues dans ce manuel peuvent être différentes des composants et accessoires réels, et ceux-ci peuvent être modifiés sans préavis par le fabricant dans le but d'améliorer le produit.

REMARQUE

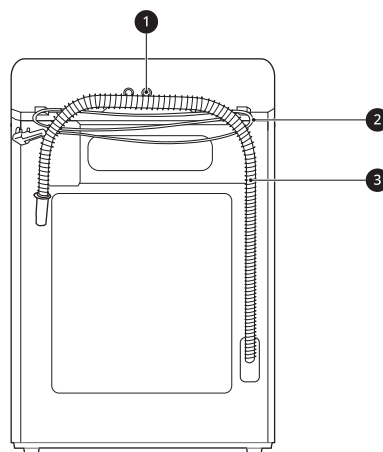
- Pour votre sécurité et pour prolonger la durée de vie du produit, n'utilisez que des composants autorisés. Le fabricant décline toute responsabilité en cas de dysfonctionnement du produit, de dommages matériels ou de dommages corporels causés par l'utilisation de composants, de pièces ou de produits non autorisés de marque autre que LG achetés séparément.

Vue de l'avant



- ① Couvercle
- ② Panneau de commande
- ③ Tiroir du distributeur de détergent
- ④ Compartiment à javellisant liquide
- ⑤ Cuve
- ⑥ Pieds de nivellement

Vue de l'arrière



- ① Arrivées d'eau
- ② Cordon d'alimentation
- ③ Tuyau de vidange

Accessoires

Accessoires inclus



①

① Sangle d'attache

Accessoires requis



①

① Tuyaux d'eau chaude et d'eau froide

Caractéristiques du produit

L'aspect et les caractéristiques énumérés dans le présent manuel peuvent varier en raison des constantes améliorations apportées au produit.

Modèle	WT7150C*	WT7000C*
Alimentation électrique	120 V c.a. - 60 Hz	
Pression d'eau minimale et maximale	De 138 à 827 kPa (20 à 120 psi)	
Dimensions (largeur x hauteur x profondeur)	27 po x 28 3/8 po x 44 1/2 po (68,6 cm x 72,1 cm x 113 cm)	
Hauteur maximale avec le couvercle ouvert	145,3 cm (57 1/4 po)	
Poids net	127,9 lb (58 kg)	123,5 lb (56 kg)
Vitesse d'essorage maximale	800 tr/min (± 50 tr/min)	

INSTALLATION

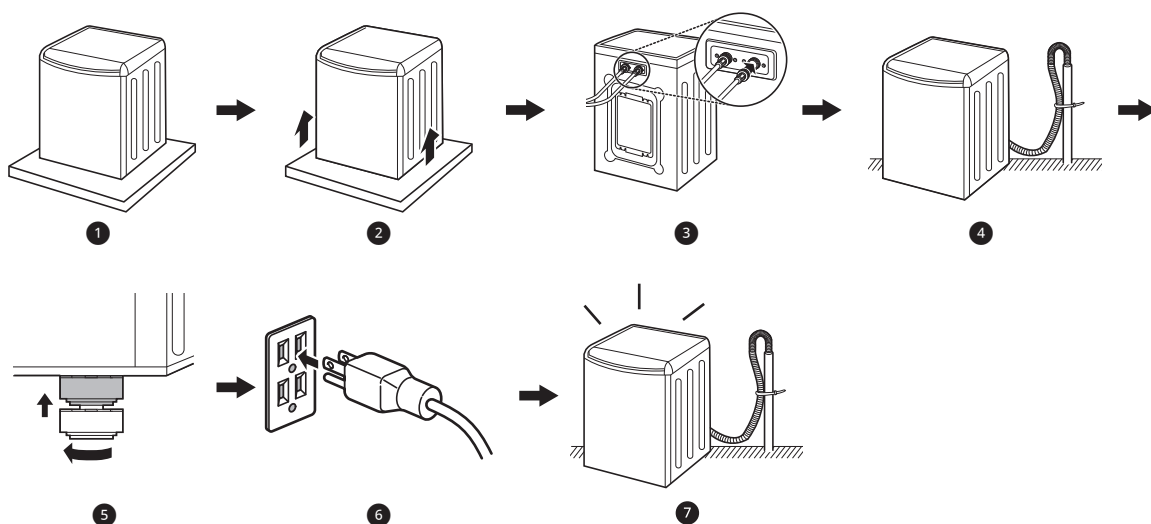
Avant l'installation

⚠ AVERTISSEMENT

- Au moins deux personnes sont requises pour déplacer ou installer l'appareil. Le non-respect de cette consigne peut entraîner des blessures.
- Entrez et installez l'appareil dans un endroit où il ne sera pas exposé à des températures sous le point de congélation ou aux intempéries. Le non-respect de cet avertissement peut causer une défaillance du produit ou d'une pièce, des blessures graves, un incendie, une décharge électrique ou la mort.
- Faites la mise à la terre de la laveuse conformément à tous les codes et ordonnances en vigueur. Le non-respect de cet avertissement peut causer des blessures graves, un incendie, une décharge électrique ou la mort.
- Pour réduire le risque de décharge électrique, n'installez jamais l'appareil dans un endroit humide. Le non-respect de cet avertissement peut causer des blessures graves, un incendie, une décharge électrique ou la mort.
- Pour assurer une circulation adéquate de l'air, ne bloquez pas la grande ouverture au bas de la laveuse avec du tapis ou autre.
- Ne retirez pas la broche de mise à la terre du cordon d'alimentation. N'utilisez pas d'adaptateur ni de rallonge. Branchez la fiche dans une prise pour 3 broches mise à la terre. Le non-respect de cet avertissement peut causer des blessures graves, un incendie, une décharge électrique ou la mort.
- Certaines pièces internes qui ne sont pas mises à la terre intentionnellement posent un risque de décharge électrique durant l'entretien seulement. Remarque à l'intention du personnel d'entretien – Évitez tout contact avec les pièces suivantes lorsque l'appareil est sous tension : la pompe, le moteur, le couvercle du filtre coupe-vent, le couvercle protecteur et l'élément chauffant (pour les modèles concernés).

Aperçu de l'installation

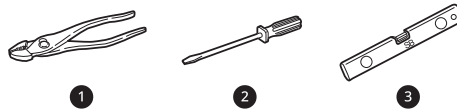
Veuillez d'abord lire ces instructions d'installation après avoir acheté cette laveuse ou après l'avoir transportée à un autre endroit.



- 1 Choix de l'emplacement adéquat
- 2 Déballage et retrait des matériaux d'expédition

- 3 Raccordement des tuyaux d'arrivée d'eau
- 4 Raccordement du tuyau de vidange
- 5 Mise au niveau de la laveuse
- 6 Branchement électrique
- 7 Vérification de l'installation finale

Outils nécessaires



- 1 Pinces
- 2 Tournevis plat
- 3 Niveau

Choix de l'emplacement adéquat

Avant d'installer la laveuse, vérifiez les exigences suivantes concernant l'emplacement d'installation.

- Allouez suffisamment d'espace entre les murs et la laveuse pour l'installation.
- Vérifiez que le plancher est propre, sec et exempt de poussières, de saletés, d'eau ou d'huile afin que les pieds de nivellement ne glissent pas. Des pieds de nivellement qui peuvent se déplacer et glisser sur le plancher peuvent entraîner des vibrations et un bruit excessifs.
- Si le plancher est trop flexible, renforcez-le pour qu'il soit plus résistant. Si le plancher n'est pas solide, cela pourrait produire de fortes vibrations et beaucoup de bruit.

Prise électrique

La prise électrique doit être à **1,5 m (60 po)** ou moins d'un des côtés de la laveuse.

- Positionnez la laveuse de façon à ce que la prise électrique et la fiche soient facilement accessibles.
- Ne surchargez pas la prise de courant avec plus d'un appareil.
- La prise doit être mise à la terre conformément aux règlements actuels concernant les installations électriques.
- Utilisez un fusible à fusion lente ou un disjoncteur.

- Le propriétaire de la laveuse a l'obligation et la responsabilité de faire installer une prise électrique adéquate par un électricien qualifié.

Plancher

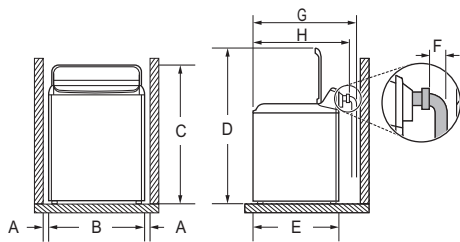
- Pour minimiser le bruit et les vibrations, installez la laveuse sur un plancher ferme, au niveau et suffisamment résistant pour supporter son poids sans flexion ni rebond.
- La laveuse doit être installée sur un plancher ferme pour minimiser les vibrations durant le cycle d'essorage. La surface idéale est un plancher de béton, mais un plancher en bois suffit, pourvu qu'il soit construit conformément aux normes de la FHA.
- Le plancher sous la laveuse ne doit pas avoir une inclinaison supérieure à **2,5 cm (1 pouce)** de l'avant à l'arrière ou d'un côté à l'autre.
- Il n'est pas recommandé d'installer l'appareil sur du tapis ou des tuiles en matériau souple.
- N'installez jamais la laveuse sur une plateforme ou une structure mal soutenue.

Installation sur le plancher

Afin d'assurer un dégagement suffisant pour les tuyaux d'arrivée d'eau, le tuyau de vidange et pour la circulation d'air, il doit y avoir au moins **2,5 cm (1 pouce)** d'espace libre de chaque côté de la laveuse et **10 cm (4 pouces)** d'espace libre derrière celle-ci. Assurez-vous de tenir compte des murs, des portes et des moulures de plancher qui pourraient augmenter les dégagements nécessaires.

12 INSTALLATION

L'espace vertical minimum du sol jusqu'au-dessus des étagères, des armoires, des plafonds, etc., est de **147 cm (58 pouces)**.



Dimensions et dégagements	
A	2,5 cm (1 po)
B	68,6 cm (27 po)
C	113 cm (44 1/2 po)
D	145,3 cm (57 1/4 po)
E	68 cm (26 3/4 po)
F	9 cm (3 1/2 po)
G	81,1 cm (32 po)
H	72,1 cm (28 3/8 po)

Déballage et retrait des matériaux d'expédition

Retirez tous les matériaux d'expédition de la laveuse pour assurer un fonctionnement adéquat et inspectez l'appareil pour vérifier s'il a été endommagé pendant l'expédition.

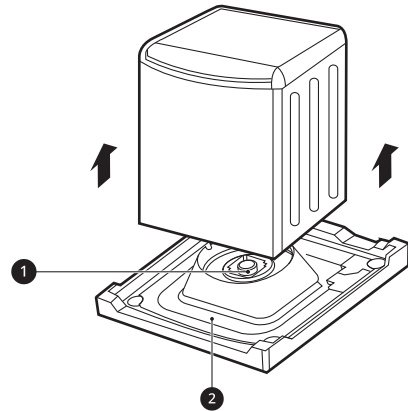
⚠ MISE EN GARDE

- L'omission de retirer le matériel d'expédition peut entraîner du bruit excessif et des vibrations.

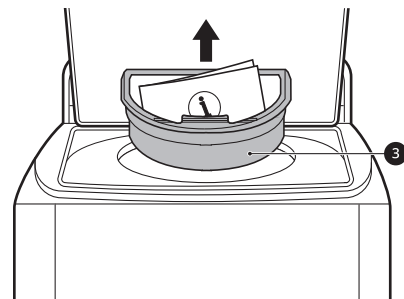
Retrait des matériaux d'expédition

- 1** Soulevez la laveuse de la base en styromousse.
 - Après avoir retiré la boîte en carton et l'emballage d'expédition, soulevez la laveuse de la base en styromousse.
 - Assurez-vous que le support en plastique de la cuve **1** se détache avec la base et ne reste pas collé au fond de la laveuse.
 - Si vous devez mettre la laveuse sur le côté pour enlever la boîte de la base **2**, protégez toujours le côté de la laveuse, et placez-la

soigneusement sur le côté. Ne couchez pas la laveuse sur sa surface avant ou arrière.



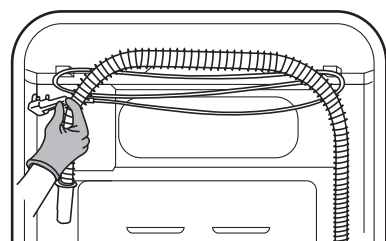
- 2** Retirez le morceau de mousse de la cuve.
 - Pour éviter les dommages, ne retirez pas le morceau de mousse **3** contenant le guide d'utilisation, les pièces et les échantillons de produits de lessive de la cuve jusqu'à ce que la laveuse se trouve à son emplacement final.



REMARQUE

- Conservez ensuite le morceau de mousse pour une utilisation future. Si vous devez déplacer la laveuse, vous pourrez alors utiliser le morceau de mousse pour réduire le risque de dommage pendant le transport.

- 3** Détachez le cordon d'alimentation.
 - Détachez le cordon d'alimentation de l'arrière de la laveuse.



Raccordement des tuyaux d'arrivée d'eau

Pour éviter les risques de dégâts d'eau coûteux, achetez et installez de nouveaux tuyaux d'alimentation au moment d'installer la laveuse.

⚠ AVERTISSEMENT

- Ne serrez pas trop les tuyaux et ne faussez pas les raccords filetés. Un serrage excessif ou le faussement des raccords peut endommager les soupapes ou les raccords, ce qui peut causer des fuites et des dégâts matériels.
- Ne réutilisez pas de vieux tuyaux. Utilisez uniquement des tuyaux neufs lorsque vous installez la laveuse. Les tuyaux usagés pourraient fuir ou éclater, causant des inondations et des dommages matériels. Communiquez avec le centre d'information à la clientèle de LG pour obtenir de l'aide pour l'achat de tuyaux.

REMARQUE

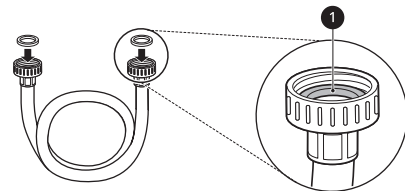
- Vérifiez régulièrement les tuyaux pour détecter des fissures, des fuites et des signes d'usure; remplacez les tuyaux tous les cinq ans.
- Ne tendez pas intentionnellement les tuyaux d'eau et assurez-vous qu'ils ne sont pas pincés, écrasés ou pliés par d'autres objets.
- La pression d'entrée de l'eau doit se situer entre **20 psi et 120 psi (138 et 827 kPa)**. Si la pression d'entrée de l'eau est supérieure à **120 psi**, une soupape de réduction de pression doit être installée.
- L'eau chaude doit être réglée de manière à ce qu'elle soit distribuée à une température située entre **48 et 57 °C (120 et 135 °F)** pour permettre à la laveuse de bien contrôler les différentes températures de lavage.
- N'installez pas ou n'entreposez pas la laveuse dans un endroit exposé à des températures sous le point de congélation. Cela pourrait endommager les tuyaux d'arrivée d'eau et les mécanismes internes de la laveuse. Si la laveuse a été exposée à des températures sous le point de congélation avant d'être installée, laissez-la reposer à la température de la pièce pendant plusieurs heures avant de l'utiliser, et vérifiez qu'il n'y a pas de fuites avant de la faire fonctionner.
- N'utilisez pas de tuyaux de prévention des inondations dotés de dispositifs d'arrêt automatique. Les dispositifs peuvent se

déclencher pendant le remplissage et empêcher la laveuse de se remplir correctement.

Raccordement des tuyaux d'arrivée d'eau

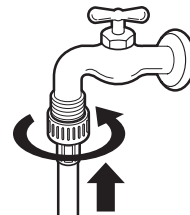
1 Vérifiez les raccords et le scellage.

- Inspectez le filet de tous les connecteurs des boyaux et vérifiez qu'une rondelle d'étanchéité en caoutchouc ① est en place dans tous les connecteurs pour empêcher les fuites.



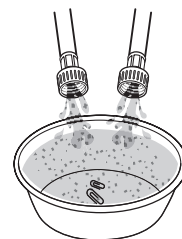
2 Raccordez les tuyaux d'arrivée d'eau.

- Raccordez les tuyaux d'arrivée d'eau aux robinets d'eau chaude et froide en les vissant d'abord fermement à la main, puis en serrant encore de deux tiers de tour à l'aide de pinces.
- Raccordez le tuyau bleu au robinet d'eau froide et le tuyau rouge au robinet d'eau chaude.



3 Après avoir raccordé les tuyaux, ouvrez les robinets pour purger toute substance étrangère, comme de la saleté, du sable ou du bran de scie.

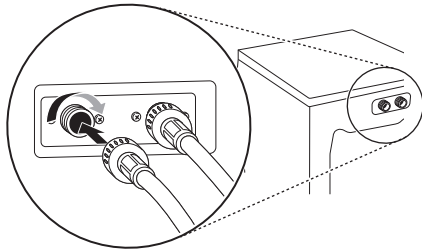
- Recueillez l'eau dans un sceau et vérifiez sa température afin de vous assurer d'avoir connecté les tuyaux aux bons robinets.



14 INSTALLATION

4 Raccordez les tuyaux d'arrivée à l'arrière de la laveuse.

- Raccordez le tuyau d'eau chaude à l'arrivée d'eau chaude à l'arrière de la laveuse. Raccordez le tuyau d'eau froide à l'arrivée d'eau froide à l'arrière de la laveuse.
- Serrez fermement les connecteurs. Ouvrez complètement les deux robinets et vérifiez qu'il n'y a pas de fuite aux deux extrémités des tuyaux.



Raccordement du tuyau de vidange

Connectez le tuyau de vidange à un tuyau vertical ou à une cuve de lessive.

⚠ AVERTISSEMENT

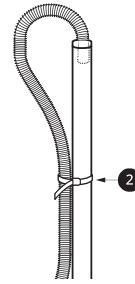
- Le tuyau de vidange doit toujours être bien fixé. Le non-respect de cette consigne peut causer une inondation et des dommages matériels.

REMARQUE

- Le drain doit être installé conformément aux règlements applicables.
- Assurez-vous que le tuyau de vidange n'est pas étiré, pincé, écrasé ou déformé.
- L'extrémité du tuyau de vidange doit se trouver à au moins **75 cm (29,5 po)** et à au plus **244 cm (96 po)** au-dessus de la partie inférieure de la laveuse.
- Pour obtenir des résultats optimaux, placez l'extrémité du tuyau de vidange à une hauteur maximale de **168 cm (66 po)** au-dessus de la partie inférieure de la laveuse. Plus la sortie de vidange est située au-delà de la limite de **168 cm (66 po)**, plus la fonction de vidange sera perturbée.
- Ne créez jamais un joint étanche entre le boyau et le drain avec du ruban ou autrement. Sans circulation d'air, l'eau pourrait être siphonnée de la cuve, ce qui réduirait le rendement du lavage et du rinçage, et pourrait endommager les vêtements.

Utilisation d'un tuyau vertical pour la vidange

- 1** Insérez l'extrémité du tuyau de vidange dans le tuyau vertical.
- 2** Utilisez la sangle d'attache fournie **1** pour maintenir le tuyau de vidange en place.



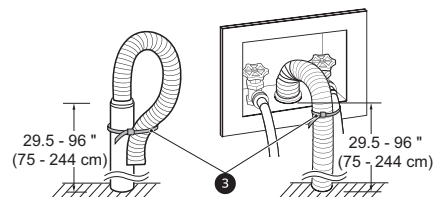
- 3** Si les soupapes d'eau et le drain se trouvent dans le mur, fixez le tuyau de vidange à l'un des tuyaux d'eau à l'aide de la sangle d'attache fournie **2** (face ondulée vers l'intérieur).

⚠ MISE EN GARDE

- N'insérez pas l'extrémité du tuyau de vidange à une profondeur de plus de **20 cm (8 po)** dans le tuyau vertical. Cela peut entraîner le pompage de l'eau, l'apparition d'odeurs ou une vidange inadéquate.

REMARQUE

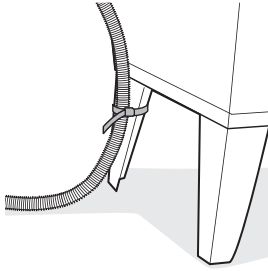
- Si le drain est assez grand pour que la bride du tuyau puisse y tenir, n'insérez pas la bride à une profondeur de plus de 1 à 2 pouces dans le drain.



Utilisation d'une cuve de lessive pour la vidange

- 1** Accrochez l'extrémité du tuyau de vidange sur le côté de la cuve.

- 2** Utilisez la sangle d'attache fournie pour maintenir le tuyau de vidange en place.



Mise au niveau de la laveuse

La cuve de la laveuse tourne à une très grande vitesse. Pour réduire les vibrations, les bruits et tout déplacement accidentel de l'appareil, le plancher doit être solide et au niveau.

⚠ MISE EN GARDE

- Le fait d'utiliser la laveuse sans la mettre d'abord au niveau peut provoquer un dysfonctionnement consécutif à une production excessive de vibrations et de bruits.
- Ajustez les pieds de nivellement uniquement pour les besoins de la mise au niveau de la laveuse. Les allonger plus que nécessaire pourrait provoquer des vibrations à la laveuse.

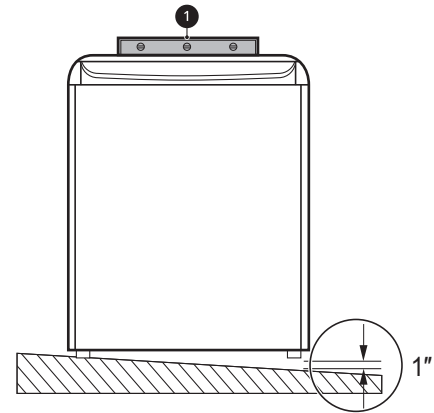
REMARQUE

- Avant d'installer la laveuse, vérifiez que le plancher est propre, sec et exempt de poussières, de saletés, d'eau ou d'huile afin que les pieds de la laveuse ne glissent pas. Si les pieds peuvent se déplacer et glisser sur le plancher, cela peut entraîner des vibrations et un bruit excessifs.

Mise au niveau de la laveuse

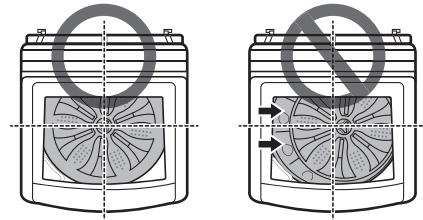
- 1** Placez la laveuse dans son emplacement choisi.
- Faites bien attention de ne pas pincer, coincer ou écraser les tuyaux d'arrivée d'eau et de vidange. Si vous possédez un niveau de menuisier **①**, vous pouvez l'utiliser pour vérifier si la laveuse est au niveau. La pente sous la laveuse ne doit pas dépasser **2,5 cm**

- (1 po)**, et les quatre pieds de nivellement doivent reposer fermement sur le sol.



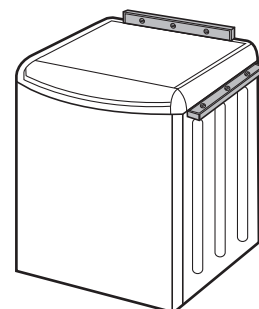
- 2** Ouvrez le couvercle et placez-vous au-dessus de l'appareil pour vérifier si la cuve est centrée.

- Si la cuve n'est pas centrée, réajustez les pieds avant. Si vous disposez d'un niveau, vérifiez si la laveuse est au niveau.



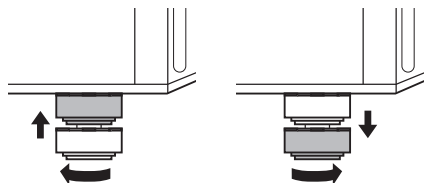
REMARQUE

- Pour vérifier si la laveuse est au niveau d'un côté à l'autre, placez un niveau sur le bord arrière du couvercle.
- Pour vérifier si la laveuse est au niveau de l'avant à l'arrière, placez un niveau sur le bord où la carrosserie touche le couvercle supérieur. Ne placez pas le niveau sur le dessus du couvercle. Si vous utilisez cette surface, la laveuse ne sera pas au niveau.



3 Réglez les pieds de nivellement.

- Tournez les quatre pieds de nivellement dans une direction pour soulever la laveuse ou dans l'autre pour l'abaisser.



4 Vérifiez de nouveau le niveau de la laveuse.

- En appuyant sur les bords supérieurs, tentez de faire basculer doucement la laveuse pour vous assurer qu'elle est stable. Si la laveuse bascule, réajustez les pieds de nivellement.
- Si le couvercle ne reste pas ouvert correctement, dévissez les pieds de nivellement avant jusqu'à ce que la laveuse soit au niveau de l'avant à l'arrière.

Vérification de l'installation finale

Branchement électrique

Branchez la laveuse dans une prise de courant à trois broches, mise à la terre, de 120 V c.a. et 60 Hz.

AVERTISSEMENT

- N'utilisez pas le câble électrique si la gaine ou le connecteur sont endommagés ou usés. Remplacez-le ou réparez-le immédiatement. Le non-respect de cette directive peut causer la mort, un incendie, une décharge électrique ou une défaillance.
- Ne modifiez pas le cordon ni la fiche électrique fournis avec cet appareil. Assurez-vous de ne pas les endommager en installant ou en déplaçant l'appareil. Le non-respect de cette directive peut causer la mort, un incendie, une décharge électrique ou une défaillance.
- Assurez-vous que l'appareil est mis à la terre.
- Branchez cet appareil sur une prise électrique mise à la terre et dotée d'une tension nominale correspondant à la tension indiquée sur la plaque signalétique avant de l'utiliser. Le non-respect de cette directive peut causer un incendie, une décharge électrique ou une défaillance.

- Ne coupez ou n'endommagez jamais la broche de mise à la terre du câble d'alimentation. Le non-respect de cette directive peut causer la mort, un incendie, une décharge électrique ou une défaillance.
- Le mauvais branchement du conducteur de mise à la terre de l'appareil peut poser un risque de décharge électrique. Consultez un électricien ou réparateur qualifié si vous n'êtes pas certain que l'appareil est correctement mis à la terre. Si la fiche n'est pas compatible avec la prise électrique, faites installer une prise électrique adéquate par un électricien qualifié.
- L'appareil doit être placé de façon à ce que la prise électrique reste facile d'accès.
- N'utilisez pas d'adaptateur ni de rallonge. Le non-respect de cette directive peut causer des blessures graves, un incendie, une décharge électrique ou la mort.
- Pour obtenir un rendement optimal, branchez l'appareil sur une prise électrique qui lui est réservée. Cela permet d'éviter de surcharger les circuits de câblage de la maison; une telle surcharge pourrait provoquer un incendie en raison de la surchauffe des fils.
- Au besoin, installez une nouvelle fiche à 3 broches (mise à la terre) certifiée UL ayant une tension nominale égale ou supérieure à celle du circuit de la prise. N'utilisez pas une rallonge de plus de 91,4 cm (3 pi) de long. Le non-respect de ces avertissements peut causer des blessures graves, un incendie, une décharge électrique ou la mort.

Essai de la laveuse

Vérifiez si la laveuse est installée correctement et menez un test de fonctionnement.

- 1 Assurez-vous que la cuve est vide. Ne chargez aucun article dans la cuve pour effectuer ce test. Assurez-vous que les robinets d'eau de la laveuse sont complètement ouverts.
- 2 Appuyez sur le bouton **Marche/Arrêt**.
- 3 Appuyez simultanément sur les boutons **Spin (Vitesse d'essorage)** et **Soil (Saleté)** jusqu'à ce que le code **In 5** apparaisse à l'écran.
 - In s'affiche en premier, et 5, 50 ou 5E apparaît sur l'afficheur.
 - In 5 : Test initial

- In 50 : Le résultat du test précédent était bon.
- In 5E : Le test précédent s'est conclu par une erreur.
- L'indication est différente pour chaque modèle.

4 Appuyez sur le bouton **Démarrer/pause**.

- Le test durera environ 3 minutes.
- Le test vérifie automatiquement les tuyaux d'alimentation en eau et le tuyau de vidange.

5 Vérifiez les résultats sur l'afficheur.

6 À la fin du cycle de test, End ou 0 s'affichera. La laveuse s'éteindra automatiquement après un bref délai.

Codes d'erreur relatifs à l'installation

Consultez le tableau ci-dessous avant de demander un service d'entretien.

Code d'erreur	Solution
I E	<ul style="list-style-type: none"> • Ouvrez complètement le robinet. • Redressez tout entortillement qu'il pourrait y avoir dans les tuyaux d'alimentation et vérifiez qu'ils ne sont pas coincés contre le mur ou sous la laveuse.
0E	<ul style="list-style-type: none"> • Redressez tout entortillement qu'il pourrait y avoir dans le tuyau de vidange et vérifiez qu'il n'est pas coincé contre le mur ou sous la laveuse. • Retirez et videz le tuyau de vidange pour dégager toute obstruction. • Ajustez ou réparez le drain. La hauteur maximale du drain est de 96 pouces.

FONCTIONNEMENT

Avant l'utilisation

⚠ AVERTISSEMENT

- Pour réduire le risque d'incendie, de décharge électrique ou de blessures, lisez les **DIRECTIVES DE SÉCURITÉ** avant d'utiliser cet appareil.

Aperçu du fonctionnement

1 Triez les articles et chargez la laveuse.

- Triez les articles selon le type de tissu, le niveau de saleté, la couleur et la taille de la brassée, selon les besoins. Ouvrez le couvercle et placez les articles dans la laveuse.
- Si vous utilisez des capsules de détergent à usage unique, ou du gel ou une tablette de détergent, placez-les dans la cuve avant d'y placer les articles.

2 Ajoutez les produits de nettoyage.

- Ajoutez la quantité appropriée de détergent à haute efficacité (HE) dans le distributeur de détergent.
- Si vous le désirez, ajoutez du javellisant ou de l'assouplissant dans les distributeurs appropriés.
- Ne mettez pas de capsule de détergent en poudre ou liquide, ou de gel ou de tablette de détergent, dans le distributeur.

3 Mettez la laveuse en marche.

- Appuyez sur le bouton **Marche/Arrêt** pour allumer la laveuse.
- Les voyants au-dessus des boutons de cycle s'allumeront et un signal sonore retentira.

4 Sélectionnez un cycle.

- Tournez le bouton de sélection des cycles ou appuyez sur les boutons de cycle à plusieurs reprises jusqu'à ce que le cycle désiré soit sélectionné.
- La température de lavage pré-réglée, la vitesse d'essorage, le niveau de saleté et les réglages d'options pour ce cycle s'affichent.
- Le cycle **Normal** doit être sélectionné pour pouvoir modifier ses réglages par défaut.

- Appuyer sur le bouton **Démarrer/pause** sans sélectionner un cycle lance immédiatement le cycle **Normal** avec les réglages par défaut.

5 Ajustez les réglages.

- Les réglages par défaut du cycle sélectionné peuvent maintenant être modifiés, au besoin, à l'aide des boutons d'options et de modification des cycles.
- Toutes les modifications et les options ne sont pas disponibles pour certains cycles. Un carillon différent retentira et le voyant à DEL ne s'allumera pas si la sélection n'est pas permise.

6 Démarrez le cycle.

- Appuyez sur le bouton **Démarrer/pause** pour lancer le cycle. Le couvercle se verrouille et la laveuse va s'agiter brièvement sans eau pour mesurer le poids de la brassée.
- Si le bouton **Démarrer/pause** n'est pas enfoncé dans un certain délai, la laveuse s'arrête et les réglages sont perdus.

REMARQUE

- Vous devez appuyer sur le bouton **Marche/Arrêt** et le maintenir enfoncé lorsque vous éteignez l'appareil. Cela prévient la mise hors tension accidentelle durant un cycle.

7 Si nécessaire, ajoutez des articles additionnels dans la cuve lorsque le voyant **Add Garments (Ajouter des vêtements)** est allumé.

- Ce voyant s'allume au début du cycle de lavage pour indiquer à quel moment il est possible d'ajouter des articles dans la cuve.
- Appuyez sur le bouton **Démarrer/pause** pour mettre le cycle en pause et ajouter des articles dans la cuve. Appuyez sur le bouton **Démarrer/pause** pour reprendre le cycle.
- Le fait d'ajouter des articles une fois le témoin **Add Garments (Ajouter des vêtements)** éteint peut entraîner de mauvaises performances de lavage.

8 Fin du cycle.

- Une mélodie annonce que le cycle est terminé. Retirez immédiatement les vêtements de la laveuse pour réduire la formation de plis.
- Si la laveuse est dotée de filtres à charpie, n'oubliez pas de les vérifier toutes les 2 ou 3 brassées.

Tri des articles

⚠ MISE EN GARDE

- La cuve de la laveuse peut être remplie au maximum de sa capacité, mais son contenu ne doit pas être comprimé. Le couvercle de la laveuse doit se fermer facilement.
- Utilisez le cycle **Bedding** pour les articles flottants ou non absorbants, comme les oreillers ou les couettes. Le non-respect de cette mise en garde peut entraîner des fuites.
- Les vêtements ou les articles imperméables ou résistants à l'eau doivent être lavés à l'aide du cycle **Waterproof** seulement. (Par exemple, les vêtements résistants à l'eau, les housses de matelas, les vêtements de plein air et les tapis en plastique.) Autrement, cela pourrait causer des blessures corporelles ou des dommages à la laveuse, aux vêtements, aux murs, au plancher et aux objets environnants en raison de vibrations anormales.

Regrouper les articles similaires

Pour obtenir des résultats de lavage optimaux et réduire le risque d'endommager un article, triez bien vos articles pour faire des brassées d'articles semblables.

Mélanger des articles avec différents types de tissus et différents niveaux de saleté peut causer un mauvais rendement de lavage, le transfert de couleurs, la décoloration, l'endommagement des tissus et le peluchage. Les tissus devraient être triés en groupes comme cela est décrit ci-dessous.

Couleurs

Triez les articles par couleur. Lavez les vêtements foncés ensemble, dans une brassée séparée des vêtements pâles ou des articles blancs. Mélanger des articles foncés avec des articles pâles peut causer un transfert de couleurs ou la décoloration des vêtements pâles.

Niveau de saleté

Lavez les vêtements très sales ensemble. Mélanger des vêtements peu sales avec des vêtements très sales peut causer de mauvais résultats de lavage pour les vêtements peu sales.

Types de tissus

Les articles délicats ne devraient pas être mêlés avec des types de tissus lourds ou robustes. Laver des tissus lourds avec des articles délicats peut causer de mauvais résultats de lavage pour les tissus lourds et peut endommager les articles délicats.

Peluchage












Certains tissus attirent les peluches, alors que d'autres produisent des peluches durant le processus de lavage. Évitez de mélanger les tissus qui attirent les peluches avec ceux qui en produisent dans une même brassée. Mélanger ces tissus entraînera du boulochage et l'accumulation de peluches sur les collecteurs de peluches. (Par exemple, un chandail tricoté attire la peluche; les serviettes éponges en produisent.)

Comment trier les vêtements

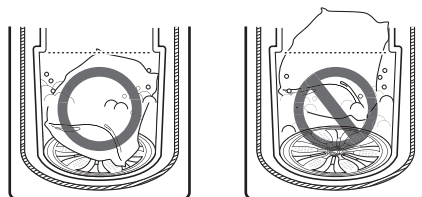
Par couleur	Par saleté	Par tissu	Par peluchage
Blancs	Très sales	Délicats	Producteurs de peluches
Pâles	Normal	Sans repassage	Collecteurs de peluches
Foncés	Peu sales	Robustes	

Étiquettes d'entretien des tissus

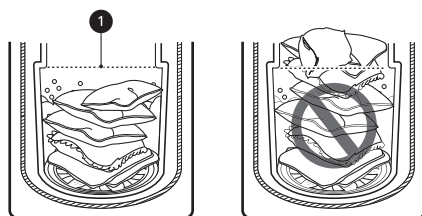
Beaucoup de vêtements comportent une étiquette d'entretien des tissus. Consultez le tableau ci-dessous pour choisir le cycle et les options en fonction des recommandations du fabricant de vos vêtements.

Catégorie	Étiquette	Directives
 Lavage		Lavage à la main
		Lavage à la machine, cycle normal
		Réglage pour tissus infroissables/résistants au froissement (doté d'une étape de refroidissement ou de vaporisation froide avant l'essorage lent)
		Réglage pour tissus doux/déliçats (agitation lente ou temps de lavage réduit)
		Ne pas laver
		Ne pas tordre
Température de l'eau	...	Chaude
	..	Tiède
	.	Froide
 Symboles pour javellisant		Tout javellisant (au besoin)
		Seulement un javellisant non chloré (au besoin)
		Ne pas utiliser de javellisant

- Combinez les grands et petits articles dans la cuve. Mettez les grands articles en premier. Les grands articles ne doivent pas représenter plus de la moitié de la brassée totale.
- Pour obtenir des résultats optimaux, mettez des articles secs uniquement. Si vous lavez des articles très mouillés, tordez-les pour enlever l'excès d'eau avant de charger ou exécutez un cycle **Spin Only (Essorage seulement)** pour extraire l'excès d'eau avant d'ajouter le détergent et de lancer le cycle souhaité.
- La cuve de la laveuse peut être remplie au maximum de sa capacité, mais son contenu ne doit pas être comprimé. Le couvercle de la laveuse doit se fermer facilement.



- La laveuse ne se remplira pas si le couvercle est ouvert.
- Ne surchargez pas la cuve. Les vêtements ne doivent pas être comprimés dans la cuve ni dépasser la ligne de remplissage maximal ①. Le fait d'excéder la ligne de remplissage maximal peut endommager les vêtements et la laveuse.
 - Ne compressez pas les articles lorsque vous les chargez dans la cuve.
 - Chargez les articles sans les compresser et sans surcharger la cuve. Pour être bien nettoyés, les articles doivent circuler librement dans la cuve.



Chargement de la laveuse

Conseils généraux

- Vérifiez et videz les poches. Les trombones, les pièces de monnaie, les allumettes et autres articles peuvent endommager les vêtements et la laveuse.
- Fermez les fermetures à glissière et les agrafes, et attachez les cordons pour les empêcher de s'accrocher ou de s'emmêler aux autres vêtements.
- Prétraitez les taches tenaces pour obtenir de meilleurs résultats.
- Brossez les vêtements pour enlever l'excès de saleté, de poussière et de cheveux avant de les laver. La saleté ou le sable en excès risquent d'user les autres tissus et de causer un lavage de mauvaise qualité.

Articles volumineux

- Ne lavez pas un oreiller ou un coussin en entier. Retirez l'insertion de l'oreiller ou du coussin et lavez la housse uniquement.
- Utilisez le cycle **Bedding (Lingerie)** pour les articles volumineux tels que les vestes en polyuréthane, les couettes, les oreillers, etc. Ces articles peuvent ne pas être aussi absorbants que d'autres articles et doivent être lavés séparément pour obtenir un rendement optimal.

- Les articles volumineux doivent être placés tout au fond de la cuve pour obtenir un rendement optimal. Placez toujours les articles flottants au fond de la cuve. La laveuse détectera automatiquement la taille de la brassée. En raison de la grande efficacité du système de lavage, le niveau d'eau peut ne pas recouvrir complètement la brassée.

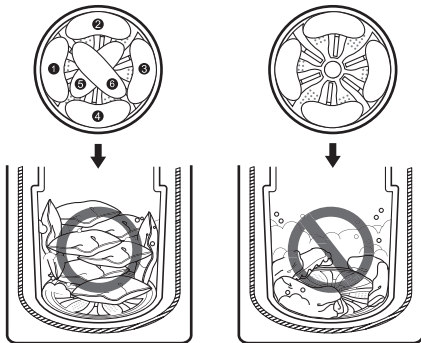
Petits articles

- Ne lavez pas un petit article seul. Ajoutez quelques articles semblables à la brassée pour éviter que la brassée soit déséquilibrée.
- Lavez les petits articles légers dans un sac-filet. Les petits articles peuvent se coincer dans la roue de pompe se trouvant au fond de la cuve, et les crochets de soutien-gorge peuvent endommager d'autres articles ou la cuve.

Conseils généraux pour les modèles dotés d'une pompe

Si l'appareil utilise un moyeu rotatif au profil bas dans le tambour, suivez ces instructions lors du chargement de la laveuse.

- Pour de meilleurs résultats, chargez les vêtements dans l'appareil comme illustré.



- Lavez les articles épais et lourds individuellement. Les couvertures épaisses, les duvets, les couvre-lits ou les lits des animaux risquent de s'emmêler ou de déséquilibrer la brassée si on les combine avec d'autres articles.

Ajout de produits de nettoyage

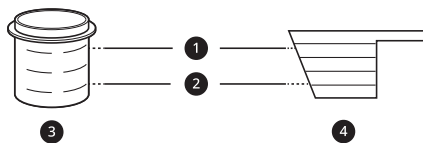
À propos de l'utilisation du détergent

Cette laveuse est conçue pour être utilisée uniquement avec des détergents à haute efficacité (HE).



- Les détergents HE produisent moins de mousse, se dissolvent plus efficacement pour améliorer le rendement de lavage et de rinçage, et aident à garder l'intérieur de la laveuse propre. L'utilisation d'un détergent qui n'est pas HE peut causer un excès de mousse et un rendement insatisfaisant pouvant provoquer des codes d'erreur, entraîner l'échec d'un cycle et endommager la laveuse.
- Les détergents identifiés comme étant compatibles avec la haute efficacité ne donneront peut-être pas des résultats optimaux.
- Pour obtenir un rendement de lavage satisfaisant, mesurez toujours le détergent avec l'outil de mesure fourni par le fabricant du détergent. Pour une brassée moyenne, utilisez moins de la moitié de la quantité maximale recommandée. Utilisez moins de détergent avec de l'eau douce, des vêtements peu sales ou des petites brassées.
- Faites très attention lors de la mesure des détergents concentrés 2X et 3X, puisque même une petite quantité supplémentaire peut entraîner des problèmes.
- N'utilisez jamais plus que la quantité maximale de détergent recommandée par le fabricant. L'utilisation d'une trop grande quantité de détergent peut entraîner une production excessive de mousse, un mauvais rinçage, une accumulation de détergent dans les vêtements et une accumulation de résidus qui peuvent contribuer aux odeurs dans l'appareil.
- N'utilisez pas plus d'une capsule ou tablette de détergent dans la laveuse. L'utilisation d'une trop grande quantité de détergent peut causer la formation d'une quantité excessive de mousse ainsi qu'un rendement insatisfaisant. Diminuez la quantité de détergent ou ajoutez un rinçage supplémentaire si des résidus de détergent se retrouvent sur les tissus. Pour ajouter un rinçage

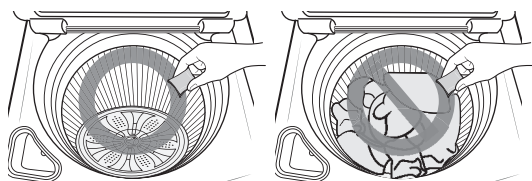
supplémentaire, sélectionnez l'option **Extra Rinse (Rinçage supplémentaire)**.



- ❶ Ligne de capacité maximale
- ❷ Ligne de remplissage moyen
- ❸ Détergent liquide
- ❹ Détergent en poudre

Capsules de détergent à usage unique / Gel ou tablette de détergent

Déposez la capsule de détergent en poudre ou liquide, ou le gel ou la tablette de détergent, dans la cuve avant d'y placer les articles. Ne mettez pas ces détergents dans le distributeur.



À propos des distributeurs

Le distributeur automatique se compose de deux compartiments qui contiennent :

- L'assouplissant liquide pour tissus;
- Le détergent liquide ou en poudre pour le lavage principal.

⚠ MISE EN GARDE

- Ne placez pas et ne rangez pas de produits de lessive, comme du détergent, du javellisant ou de l'assouplissant liquide sur le dessus de votre laveuse. Ces produits peuvent endommager la fini et les commandes de la laveuse.

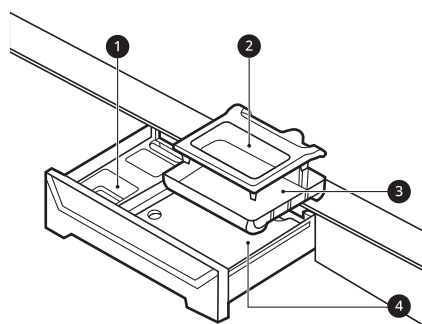
REMARQUE

- Suivez les recommandations du fabricant lors de l'ajout de produits de nettoyage.

Utilisation du tiroir du distributeur de détergent et d'assouplissant

Pour ajouter le détergent et l'assouplissant dans le tiroir du distributeur automatique :

- 1 Ouvrez le tiroir du distributeur.
- 2 Versez les produits pour la lessive dans les compartiments appropriés.



- ❶ Compartiment pour l'assouplissant liquide
- ❷ Tasse principale pour le détergent liquide
- ❸ Insertion
- ❹ Compartiment principal pour le détergent en poudre

- 3 Fermez doucement le tiroir du distributeur de détergent avant de commencer le cycle.
 - Le fait de fermer abruptement le tiroir peut causer le renversement du détergent dans un autre compartiment ou le versement dans le tambour plus tôt que prévu.
 - Veillez à ne pas vous coincer la main dans le tiroir lorsque vous le fermez.
 - Il est normal qu'une petite quantité d'eau demeure dans les compartiments du distributeur à la fin du cycle.

Compartiment principal de détergent

Ce compartiment contient le détergent à lessive utilisé pour le cycle de lavage principal. Le détergent placé dans ce compartiment peut être liquide ou en poudre.

- Le détergent est ajouté à la brassée au début du cycle. Utilisez toujours un détergent HE (haute efficacité) avec votre laveuse.
- Ne dépassez pas la ligne de remplissage maximal. Utiliser trop de détergent peut

entraîner une accumulation de détergent dans les vêtements et la laveuse.

- Un javellisant sûr pour les couleurs, liquide ou en poudre, peut être ajouté dans le compartiment de lavage principal avec le détergent de même type. N'utilisez pas à la fois des liquides et de la poudre.
- Si vous utilisez un détergent liquide, assurez-vous que le contenant à détergent liquide et l'insertion sont bien en place.
- Quand vous utilisez du détergent en poudre, retirez l'insertion et le contenant à détergent liquide du distributeur. Le détergent en poudre ne sera pas distribué si le contenant à détergent liquide et l'insertion sont en place.
- L'utilisation d'un détergent qui ne se dissout pas rapidement ou d'un détergent de grande viscosité laissera des résidus qui vont obstruer le distributeur.

Compartiment pour l'assouplissant

Ce compartiment contient l'assouplissant textile liquide, qui est automatiquement distribué pendant le cycle final de rinçage.

- Ne dépassez pas la ligne de remplissage maximal. Utiliser trop d'assouplissant peut tacher les vêtements.
- Diluez les assouplissants concentrés avec de l'eau tiède.
- Ne versez jamais l'assouplissant directement sur la brassée ou dans la cuve.

Utilisation du distributeur de javellisant liquide

Le distributeur de javellisant est un compartiment séparé situé à l'avant, à gauche de l'ouverture de la cuve.

AVERTISSEMENT

- Ne mélangez PAS de javellisant chloré avec de l'ammoniac ou des agents acides comme le vinaigre ou un produit pour enlever la rouille ou antitartre. Mélanger des produits chimiques comme ces derniers peut produire un gaz létal, entraînant de graves blessures ou la mort.

REMARQUE

- N'ajoutez pas de javellisant en poudre dans ce distributeur. Le distributeur de javellisant est conçu pour distribuer du javellisant liquide seulement. Le javellisant non décolorant en

poudre ou liquide ne sera pas distribué correctement.

- Ne placez pas d'articles sur le distributeur de javellisant lors du chargement et du déchargement de la laveuse.
- Ne versez jamais plus d'**une tasse** de javellisant et ne dépassez pas la ligne de remplissage maximal, car cela pourrait entraîner la distribution immédiate du javellisant. L'utilisation d'une trop grande quantité de javellisant peut endommager les tissus.
- Ne versez jamais de javellisant au chlore liquide non dilué directement sur la brassée ou dans la cuve. Cela pourrait endommager les tissus.
- N'utilisez pas de javellisant sûr pour les couleurs ou des produits à base d'oxygène dans le même cycle avec un javellisant chloré.

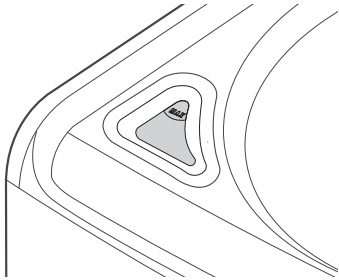
- 1 Vérifiez les étiquettes d'entretien des vêtements pour connaître les instructions spéciales.
- 2 Mesurez soigneusement le javellisant liquide en suivant les instructions figurant sur la bouteille.
 - Les laveuses HE (haute efficacité) utilisent moins d'eau et nécessitent donc moins de javellisant. **Une demi-tasse** est suffisante pour la plupart des brassées.
- 3 Versez soigneusement la quantité prédéterminée de javellisant directement dans le distributeur correspondant.
 - Si vous utilisez du javellisant en poudre, versez-le directement dans la cuve avant d'ajouter la lessive.
 - N'ajoutez jamais de javellisant en poudre au distributeur de javellisant liquide.

Distributeur automatique de javellisant

Sur certains modèles, le distributeur de javellisant est raccordé à la vanne d'entrée. Le javellisant est automatiquement dilué et distribué en temps opportun au cours du cycle de lavage.

- Le distributeur est activé deux fois pour assurer la distribution complète du javellisant. Le liquide

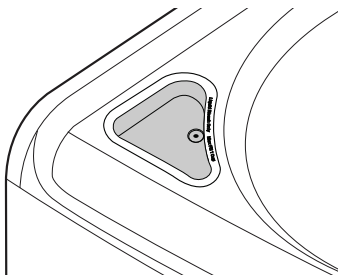
restant dans le distributeur à la fin du cycle est de l'eau et non du javellisant.



Distributeur immédiat de javellisant

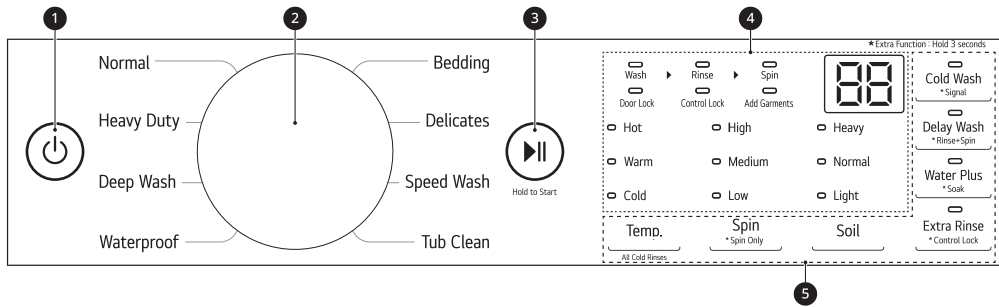
Sur certains modèles, lorsque vous versez du javellisant dans le distributeur de javellisant, le javellisant s'écoule directement dans la cuve au moment où elle se remplit d'eau, ce qui assure une dilution en toute sécurité du javellisant.

- Le couvercle du distributeur ne s'enlève pas. Pour nettoyer le couvercle, utilisez un essuie-tout humide.



Panneau de commande

Caractéristiques du panneau de commande



1 Bouton Marche/Arrêt

- Appuyez sur ce bouton pour allumer ou éteindre la laveuse.
- Le fait d'appuyer sur ce bouton pendant un cycle annulera ce cycle, et les réglages de la brassée seront perdus.
- La porte se déverrouillera après une courte pause.

REMARQUE

- S'il reste de l'eau dans le tambour après l'arrêt de la laveuse, elle sera évacuée après quelques minutes. La laveuse peut être redémarrée à tout moment avant le début du drainage. Cependant, une fois que l'eau commence à être évacuée, toutes les fonctionnalités seront désactivées jusqu'à ce que l'eau soit complètement vidée et que la laveuse s'arrête.

2 Bouton de sélection de cycle

- Tournez ce bouton pour sélectionner le cycle désiré.
- Une fois que le cycle désiré a été sélectionné, les préréglages standards s'affichent. Ces réglages peuvent être ajustés à l'aide des boutons de **modification du cycle** à tout moment avant le début du cycle.

3 Bouton Démarrer/pause

- Appuyez sur ce bouton pour démarrer le cycle sélectionné.
- Si la laveuse est en marche, utilisez ce bouton pour interrompre le cycle sans perdre les réglages actuels.

REMARQUE

- Si vous n'appuyez pas sur le bouton **Démarrer/pause** pour lancer le cycle sélectionné, la laveuse s'éteint automatiquement après un certain délai et tous les réglages du cycle sont perdus. L'eau restante dans le tambour sera évacuée.

4 Afficheur de temps et d'état

- L'écran affiche les réglages, le temps restant estimé, les options et l'état de la laveuse.

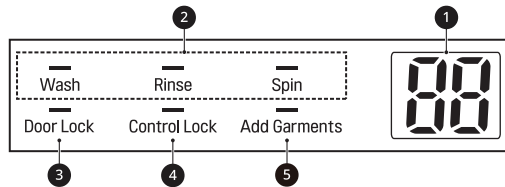
5 Boutons de modification des cycles

- Utilisez ces boutons pour régler la température de lavage, la vitesse d'essorage et le niveau de saleté pour le cycle sélectionné.
- Les paramètres sélectionnés sont affichés à l'écran.
- Le bouton de cette option permet de sélectionner d'autres paramètres.

6 Boutons d'options et de fonctions supplémentaires

- Ces boutons vous permettent de sélectionner des options de cycle supplémentaires. Certains boutons vous permettent également d'activer des fonctions spéciales en appuyant sur le bouton et en le maintenant enfoncé pendant **trois secondes**.

Afficheur de temps et d'état



1 Temps restant estimé

- Lorsqu'un cycle est sélectionné, la durée par défaut de ce cycle est affichée. Cette durée change si le cycle est modifié ou si des options sont sélectionnées.
- Si -- apparaît sur l'affichage, alors le temps sera affiché après que la fonction de détection de charge ait détecté la taille de la brassée.
- La durée affichée n'est qu'une estimation. Cette durée est basée sur des conditions normales de fonctionnement. Plusieurs facteurs externes (la taille de la brassée, la température ambiante, la température de l'eau entrante, etc.) peuvent affecter la durée réelle.

REMARQUE

- Une fois le bouton **Démarrer/pause** enfoncé, la laveuse mesurera la taille de la brassée. La durée estimée peut changer lorsque la brassée aura été mesurée.
- Si la fonctionnalité de **Delay Wash (Lavage différé)** est sélectionnée, un compte à rebours indique le temps restant avant que le cycle commence.

2 Indicateurs d'état du cycle

- Ces voyants à DEL clignotent lorsqu'un cycle est sélectionné afin d'indiquer quelles étapes seront effectuées.
- Lorsqu'un cycle est en cours, le voyant à DEL de l'étape active clignote et les voyants à DEL des autres étapes restent complètement allumés. Lorsqu'une étape est terminée, le voyant à DEL s'éteint. Si un cycle est mis en pause, le voyant à DEL de l'étape active cesse de clignoter.

REMARQUE

- Une fois le bouton **Démarrer/pause** enfoncé, la laveuse mesurera la taille de la brassée. La durée estimée peut changer lorsque la brassée aura été mesurée.
- Si la fonctionnalité de **Delay Wash (Lavage différé)** est sélectionnée, un compte à rebours indique le temps restant avant que le cycle commence.

3 Indicateur Door Lock (Verrouillage de la porte)

- Cet indicateur s'allume lorsque le cycle commence et que la porte est verrouillée.
- Le témoin lumineux reste allumé jusqu'à ce que le cycle soit suspendu, arrêté ou terminé.

4 Indicateur Control Lock (Verrouillage des commandes)

- Cet indicateur s'allume lorsque le panneau de commande est verrouillé.
- ⏸ et le temps de lavage restant sont affichés tour à tour sur l'affichage.
- Lorsque cette fonctionnalité est activée, toutes les commandes sont désactivées, sauf le bouton **Marche/Arrêt**.

5 Indicateur Add Garment (Ajouter des vêtements)

- Les vêtements peuvent seulement être ajoutés dans la cuve au moment opportun durant le cycle de lavage. Lorsque cet indicateur s'allume, vous pouvez suspendre le cycle et ajouter des articles dans la cuve.
- Si des vêtements sont ajoutés lorsque l'indicateur est éteint, la laveuse ne s'ajustera pas en fonction de ces articles, ce qui pourrait entraîner un mauvais rendement ou endommager les tissus.

Cycles de lavage

Les cycles de lavage sont conçus pour différents types de brassées. Sélectionnez le cycle qui correspond le mieux au contenu de la brassée afin d'obtenir des résultats de lavage et un entretien des tissus optimaux.

Pour obtenir des résultats optimaux, consultez la section **Tri des articles** et respectez les étiquettes d'entretien des tissus qui se trouvent sur vos articles. Pour obtenir un guide sur les symboles d'entretien des tissus, consultez la section **Tri des articles**.

Guide sur les cycles

Tournez le bouton ou appuyez sur le bouton pour sélectionner le cycle souhaité. Lorsque vous sélectionnez un cycle de lavage, le témoin correspondant au cycle s'allume.

REMARQUE

- Chaque fois que les poids des brassées sont mentionnés, considérez qu'une livre (0,45 kg) représente environ le poids d'une serviette de bain (sèche).

Cycle	Normal	
Description	Utilisez ce cycle pour laver tous les articles normaux tels que le coton, le lin, les chemises, les jeans et les brassées mixtes, à l'exception des tissus délicats comme la laine ou la soie. <ul style="list-style-type: none"> • Si vous appuyez sur le bouton Démarrer/pause sans sélectionner un cycle, le cycle Normal commencera immédiatement en utilisant les réglages par défaut. 	
Température de lavage	Par défaut : Warm (Tiède)	Disponibilité : Toutes les températures
Vitesse d'essorage	Par défaut : High (Élevée)	Disponible : High (Élevée), Medium (Moyenne)
Niveau de saleté	Par défaut : Normal	Disponibilité : Toutes les températures

Cycle	Heavy Duty (Haut rendement)	
Description	Convient au lavage des articles très souillés, tels que les tissus en coton, en utilisant des mouvements de lavage plus puissants. <ul style="list-style-type: none"> • Lors du lavage de brassées importantes, il y aura de brèves périodes de 2 minutes ou plus sans agitation. Ces périodes de trempage font partie du fonctionnement du cycle et sont normales. 	
Température de lavage	Par défaut : Warm (Tiède)	Disponibilité : Toutes les températures
Vitesse d'essorage	Par défaut : High (Élevée)	Disponibilité : Toutes les températures
Niveau de saleté	Par défaut : Heavy (Très sale)	Disponibilité : Toutes les températures

Cycle	Deep Wash (Lavage en profondeur)	
Description	Ajoute de l'eau et lave les articles mixtes très sales, à l'exception des tissus délicats.	
Température de lavage	Par défaut : Warm (Tiède)	Disponibilité : Toutes les températures
Vitesse d'essorage	Par défaut : Medium (Moyenne)	Disponibilité : Toutes les températures
Niveau de saleté	Par défaut : Normal	Disponibilité : Toutes les températures

Cycle	Waterproof (Imperméable)	
Description	Convient pour les articles imperméables tels que les vêtements résistants à l'eau, les housses de matelas, les vêtements de plein air et les tapis en plastique (moins de 14 lb).	
	<p>REMARQUE</p> <ul style="list-style-type: none"> • N'utilisez aucun autre cycle de lavage pour laver les articles imperméables. • N'utilisez pas ce cycle pour laver une brassée mixte d'articles imperméables et non imperméables. • Vérifiez l'étiquette d'entretien des tissus des vêtements avant d'utiliser ce cycle. • Ne lavez pas d'autres tissus à l'aide de ce cycle. 	
Température de lavage	Par défaut : Warm (Tiède)	Disponible : Warm (Tiède), Cold (Eau froide)
Vitesse d'essorage	Par défaut : Medium (Moyenne)	Disponible : Medium (Moyenne), Low (Faible)
Niveau de saleté	Par défaut : Light (Peu sale)	Disponibilité : Toutes les températures

Cycle	Bedding (Literie)	
Description	Convient au lavage des couvertures ou des articles volumineux absorbant difficilement l'eau, tels que les oreillers, les couvertures, les couettes, les draps ou la literie pour animaux de compagnie.	
	<ul style="list-style-type: none"> • N'utilisez pas ce cycle pour laver une brassée mixte de literie et d'articles autres que de la literie. • Ne mélangez pas des articles volumineux avec des vêtements plus petits. • Ne lavez pas d'articles très volumineux. Si les articles volumineux et encombrants ne rentrent pas facilement dans la cuve, ils pourraient ne pas se déplacer correctement pendant le lavage. 	
Température de lavage	Par défaut : Warm (Tiède)	Disponibilité : Toutes les températures
Vitesse d'essorage	Par défaut : Medium (Moyenne)	Disponibilité : Toutes les températures
Niveau de saleté	Par défaut : Normal	Disponibilité : Toutes les températures

Cycle	Delicates (Déliçats)	
Description	Convient au lavage des chemises ou chemisiers, des bas de nylon, de la lingerie ou des vêtements transparents et en dentelle qui peuvent facilement être endommagés (moins de 8 lb).	
Température de lavage	Par défaut : Cold (Eau froide)	Disponible : Warm (Tiède), Cold (Eau froide)
Vitesse d'essorage	Par défaut : Medium (Moyenne)	Disponible : Medium (Moyenne), Low (Faible)
Niveau de saleté	Par défaut : Light (Peu sale)	Disponibilité : Toutes les températures

Cycle	Speed Wash (Lavage rapide)	
Description	Utilisez cette option pour laver rapidement les vêtements peu sales et les petites brassées. Pour un lavage et un rinçage hautement efficaces, lavez des petites brassées de deux ou trois articles légèrement sales. <ul style="list-style-type: none"> • Pour ce cycle, utilisez très peu de détergent. Pour ajouter un rinçage supplémentaire, utilisez le bouton Extra Rinse (Rinçage supplémentaire). 	
Température de lavage	Par défaut : Warm (Tiède)	Disponible : Warm (Tiède), Cold (Eau froide)
Vitesse d'essorage	Par défaut : High (Élevée)	Disponibilité : Toutes les températures
Niveau de saleté	Par défaut : Light (Peu sale)	Disponibilité : Toutes les températures

Cycle	Tub Clean (Nettoyage de la cuve)	
Description	Il s'agit d'un cycle spécial conçu pour nettoyer l'intérieur de la laveuse.	

Options disponibles

REMARQUE

- L'option **Delay Wash (Lavage différé)** peut être sélectionnée pour chaque cycle de ce tableau.

Cycle	Cold Wash (Lavage à l'eau froide)	Extra Rinse (Rinçage supplémentaire)	Water Plus (Plus d'eau)	Soak (Trempage)
Normal	●	●	●	●
Heavy Duty (Haut rendement)		●	●	●
Deep Wash (Lavage en profondeur)		●	●	●
Waterproof (Imperméable)		●	●	
Bedding (Literie)	●	●		●
Delicates (Déliçats)		●	●	●
Speed Wash (Lavage rapide)		●	●	●

Modificateurs de cycle

À propos des boutons de modification

Chaque cycle possède des réglages par défaut qui sont sélectionnés automatiquement. Vous pouvez aussi personnaliser ces réglages en utilisant les boutons de modification des cycles.

- Appuyez à plusieurs reprises sur le bouton de la modification souhaitée jusqu'à ce que le voyant lumineux correspondant au réglage désiré s'allume.
- La laveuse ajuste automatiquement le niveau d'eau au type de brassée et à la taille de celle-ci afin d'offrir de meilleurs résultats et une efficacité maximale.
- Il s'agit d'une laveuse à haute efficacité, et les niveaux d'eau peuvent être beaucoup plus bas que prévu. Ceci est normal et les résultats de nettoyage et de rinçage ne seront pas compromis.

- Hot	- High	- Heavy
- Warm	- Medium	- Normal
- Cold	- Low	- Light
Temp.	Spin	Soil

REMARQUE

- Le voyant à DEL situé à côté du réglage s'allume lorsque le réglage est sélectionné.
- Dans le but de protéger vos vêtements, les cycles n'offrent pas tous les mêmes réglages (température de lavage, vitesse d'essorage, niveau de saleté et options).
- Si un réglage sélectionné n'est pas autorisé pour le cycle choisi, un carillon retentira deux fois et le voyant à DEL ne s'allumera pas.
- Suivez les instructions des étiquettes d'entretien des tissus sur les vêtements pour obtenir des résultats optimaux.

Temp. (Température)

Assurez-vous que la température est appropriée pour le type de brassée que vous désirez laver.

- Appuyez sur le bouton **Temp. (Température)** à plusieurs reprises pour sélectionner la combinaison de température de lavage et de rinçage pour le cycle sélectionné.
- Tous les rinçages se font à l'eau froide.

- Les rinçages à l'eau froide consomment moins d'énergie. La température actuelle du rinçage à l'eau froide dépend de la température de l'eau froide qui sort du robinet.

Spin (Vitesse d'essorage)

Des vitesses d'essorage élevées extraient plus d'eau des vêtements, ce qui réduit le temps de séchage et économise l'énergie.

- Appuyez sur le bouton **Spin (Vitesse d'essorage)** à plusieurs reprises jusqu'à ce que la vitesse souhaitée soit sélectionnée.
- Certains tissus, comme les tissus délicats, nécessitent une vitesse d'essorage plus lente. Pour protéger vos vêtements, les vitesses d'essorage ne sont pas toutes offertes pour tous les cycles.

Soil (Saleté)

Choisir le réglage du niveau de saleté va modifier la durée du cycle ou les actions de lavage.

- Appuyez sur le bouton **Soil (Saleté)** jusqu'à ce que le niveau désiré de saleté soit sélectionné.
- Le réglage saleté **Heavy (Très sale)** peut augmenter la durée du cycle. Le réglage saleté **Light (Peu sale)** peut réduire la durée du cycle.

Autres options et fonctionnalités

Votre laveuse dispose de plusieurs options de cycle supplémentaires afin de personnaliser les cycles et de répondre à vos besoins particuliers.

- Choisissez l'option souhaitée après avoir sélectionné le cycle et les réglages désirés.

REMARQUE

- Le voyant à DEL de l'option s'allume lorsque l'option est sélectionnée.
- Pour protéger vos vêtements, certaines options ne sont pas disponibles pour certains cycles.
- Si une option sélectionnée n'est pas autorisée pour le cycle choisi, un carillon retentira deux fois et le voyant à DEL ne s'allumera pas.

Essorage seulement

Utilisez cette option pour essorer les vêtements et évacuer l'eau de la cuve.

- Utilisez cette option pour évacuer l'eau si le cycle de lavage est interrompu par une panne de courant ou pour essorer les articles lavés à la main.

32 FONCTIONNEMENT

- 1 Appuyez sur le bouton **Marche/Arrêt** pour allumer la laveuse.
 - Ne sélectionnez pas un cycle.
- 2 Appuyez sur le bouton **Spin (Vitesse d'essorage)** et maintenez-le enfoncé pendant trois secondes.
 - Vous pouvez modifier la vitesse d'essorage en appuyant sur le bouton **Spin (Vitesse d'essorage)**.
- 3 Appuyez sur le bouton **Démarrer/pause** pour lancer le cycle.

Cold Wash (Lavage à l'eau froide)

Utilisez cette option pour économiser l'énergie en utilisant de l'eau froide tout en augmentant la durée du lavage et du rinçage pour conserver le rendement du lavage.

- L'ajout de cette option augmentera le temps de lavage de plusieurs minutes.
- La sélection de cette option augmente la quantité d'eau utilisée lors du rinçage. La quantité d'eau utilisée pendant le lavage n'est pas augmentée.
- Pour obtenir des résultats de lavage optimaux, sélectionnez cette option seulement lorsque vous lavez de petites brassées (moins de 8 livres).

Signal (Tonalité)

La laveuse joue une mélodie à la fin du cycle de lavage. Les boutons produisent un son quand on appuie dessus.

- Appuyez sur le bouton **Cold Wash (Lavage à l'eau froide)** et maintenez-le enfoncé pendant trois secondes pour activer ou désactiver le signal sonore.
- Si aucun signal sonore ne se fait entendre, cela signifie qu'il est désactivé.

Delay Wash (Lavage différé)

Lorsque vous avez sélectionné le cycle et les autres réglages, appuyez sur ce bouton pour retarder le début du cycle de lavage.

- Chaque fois que vous appuyez sur le bouton, vous retardez le lavage d'une heure; vous pouvez le retarder jusqu'à un maximum de 19 heures.

- Une fois le délai désiré réglé, appuyez sur le bouton **Démarrer/pause** pour démarrer le délai.

REMARQUE

- Si vous n'appuyez pas sur le bouton **Démarrer/pause** pour commencer la mise en marche différée, la laveuse s'arrêtera automatiquement après un certain temps et tous les réglages de cycle seront perdus.
-

Rinçage et essorage

Sélectionnez ce cycle pour rincer et essorer une brassée séparément d'un cycle ordinaire. Cela peut être utile pour empêcher les nouvelles taches d'intégrer les tissus.

- 1 Appuyez sur le bouton **Marche/Arrêt** pour allumer la laveuse.
 - Ne sélectionnez pas un cycle.
- 2 Appuyez sur le bouton **Delay Wash (Lavage différé)** et maintenez-le enfoncé pendant trois secondes.
 - Vous pouvez modifier la vitesse d'essorage en appuyant sur le bouton **Spin (Vitesse d'essorage)**.
- 3 Appuyez sur le bouton **Démarrer/pause** pour lancer le cycle.

Water Plus (Plus d'eau)

Utilisez cette option afin d'ajouter de l'eau au cycle de lavage pour obtenir de meilleures performances de lavage pour les articles volumineux.

REMARQUE

- Si la laveuse atteint son niveau d'eau maximal, ce bouton n'aura aucun effet.
 - Pour ajouter de l'eau pendant l'exécution d'un cycle, mettez le cycle en pause et sélectionnez cette option.
 - Si vous sélectionnez le cycle **Normal** et l'option **Water Plus (Plus d'eau)**, le cycle sera remplacé par le cycle **Deep Wash (Lavage en profondeur)** avant de commencer.
-

Soak (Trempage)

Cette option permet d'ajouter un pré-trempage de 30 minutes avant le commencement du cycle sélectionné. Utilisez cette option pour pré-tremper les vêtements et aider à éliminer les taches tenaces sur les tissus. À la fin de la durée de pré-trempage, le cycle choisi commencera avec la même eau utilisée pour le trempage.

- Appuyez sur le bouton **Water Plus (Plus d'eau)** et maintenez-le enfoncé pendant trois secondes pour activer ou désactiver cette option.

Extra Rinse (Rinçage supplémentaire)

Cette option ajoute un rinçage supplémentaire au cycle sélectionné. Utilisez cette option pour veiller à ce que les tissus ne contiennent plus de résidus de détergent ou de javellisant.

- Appuyez deux fois sur le bouton **Extra Rinse (Rinçage supplémentaire)** pour ajouter deux autres rinçages au cycle.
- Si vous utilisez de l'assouplissant liquide pour tissus, il est toujours distribué pendant le rinçage final.

REMARQUE

- Vous ne pouvez pas sélectionner cette option avec l'option **Spin Only (Essorage seulement)** et le cycle **Tub Clean (Nettoyage de la cuve)**.
- Si l'option **Extra Rinse (Rinçage supplémentaire)** est sélectionnée avec le cycle **Normal**, le cycle changera automatiquement pour le cycle **Deep Wash (Lavage en profondeur)**.

Verrouillage des commandes

Utilisez cette fonction pour désactiver les commandes. Elle peut empêcher les enfants de modifier les cycles ou de mettre cette laveuse en marche.

REMARQUE

- La fonctionnalité ne verrouille pas la porte.
- Une fois cette fonction réglée, tous les boutons sont verrouillés sauf le bouton **Marche/Arrêt**.
- Lorsque les commandes sont verrouillées, [L] et le temps restant s'affichent tour à tour pendant le cycle de lavage.
- Le fait de couper l'alimentation ne réinitialisera pas la fonctionnalité. Vous devez désactiver la

fonctionnalité pour pouvoir accéder à d'autres fonctionnalités et options.

Verrouillage du panneau de commande

- 1 Mettez l'appareil en marche.
- 2 Appuyez sur le bouton **Extra Rinse (Rinçage supplémentaire)** et maintenez-le enfoncé pendant trois secondes pour activer cette fonctionnalité.

Déverrouillage du panneau de commande

- 1 Mettez l'appareil en marche.
- 2 Appuyez sur le bouton **Extra Rinse (Rinçage supplémentaire)** et maintenez-le enfoncé pendant trois secondes pour désactiver cette fonctionnalité.
 - Lorsque cette fonction est désactivée, un signal sonore se fait entendre et le temps restant du cycle en cours réapparaît dans l'affichage.

Add Garments (Ajout d'articles)

Si vous avez oublié d'ajouter un article ou si vous devez retirer des objets comme des pièces de monnaie ou des clés après le début du cycle, le meilleur moment pour le faire est lorsque le voyant **Add Garments (Ajouter des vêtements)** est allumé.

- Une fois le voyant éteint, l'ajout de vêtements peut avoir une incidence sur la durée du cycle ou le rendement du lavage.

- 1 Appuyez sur le bouton **Démarrer/pause**. Le cycle se met en pause et le couvercle (porte) se déverrouille.
- 2 Ouvrez le couvercle, ajoutez des vêtements ou retirez les corps étrangers, puis refermez le couvercle.
- 3 Appuyez sur le bouton **Démarrer/pause** pour continuer le cycle. Le cycle se poursuit automatiquement.

REMARQUE

- Cette laveuse est équipée d'une fonctionnalité spéciale conçue pour que votre appareil soit aussi sûr que possible. Si la laveuse est mise en pause ou hors tension alors qu'il reste de l'eau dans la cuve, l'eau s'évacuera automatiquement après plusieurs minutes d'inactivité. Cela permet d'assurer la sécurité des enfants en réduisant la possibilité de présence d'eau dans la cuve.

Toute eau présente dans la cuve s'évacue automatiquement quatre minutes après l'arrêt de la laveuse. Si vous n'appuyez pas sur le bouton **Démarrer/pause** dans un délai de 60 minutes, la laveuse s'éteindra et tous les réglages seront perdus. L'eau restante dans la cuve sera évacuée.

La laveuse peut être mise en marche ou redémarrée à tout moment avant le début du drainage. Cependant, une fois que la laveuse commence à se drainer, toutes les commandes et fonctionnalités seront désactivées jusqu'à ce que l'eau soit complètement vidée et que la laveuse s'arrête.

FONCTIONS INTELLIGENTES

Application LG ThinQ

L'application **LG ThinQ** vous permet de communiquer avec l'appareil à l'aide d'un téléphone intelligent.

Caractéristiques de l'application LG ThinQ

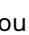

Smart Diagnosis

Cette fonction fournit des renseignements utiles pour diagnostiquer et résoudre les problèmes avec l'appareil en se basant sur le profil d'utilisation.

Installation de l'application LG ThinQ

À partir d'un téléphone intelligent, cherchez l'application **LG ThinQ** dans la boutique Google Play ou l'App Store d'Apple. Suivez les directives pour télécharger et installer l'application.

Fonctionnalité Smart Diagnosis^{MC}

Cette fonctionnalité est offerte uniquement sur les modèles portant le logo  ou .

Utilisez cette fonctionnalité pour vous aider à diagnostiquer et à résoudre les problèmes qu'éprouve votre appareil.

REMARQUE

- Pour des raisons ne relevant pas du contrôle de LGE, le service pourrait ne pas fonctionner en raison de facteurs externes, notamment la disponibilité du Wi-Fi, la connexion Wi-Fi, la politique de la boutique d'applications ou la disponibilité de l'application.
- La fonctionnalité pourrait être modifiée sans préavis et pourrait avoir une apparence différente selon votre emplacement.

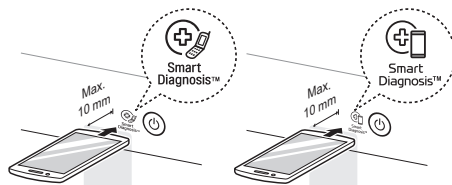
Utilisation de la fonctionnalité de diagnostic sonore pour diagnostiquer les problèmes

Suivez les instructions ci-dessous pour utiliser la fonctionnalité de diagnostic sonore.

- Lancez l'application **LG ThinQ** et sélectionnez la fonctionnalité **Smart Diagnosis^{MC}** qui se trouve dans le menu. Suivez les instructions relatives au diagnostic sonore indiquées dans l'application **LG ThinQ**.

- 1 Appuyez sur le bouton **Marche/Arrêt** pour allumer l'appareil.
 - N'appuyez sur pas sur les autres touches.

- 2 Tenez le microphone de votre téléphone devant le logo  ou .



- 3 Maintenez la touche **Temp. (Température)** enfoncée pendant au moins 3 secondes tout en tenant votre téléphone près du logo.
- 4 Gardez le téléphone en place jusqu'à la fin de la transmission sonore. Un compte à rebours s'affichera. Lorsque le décompte sera terminé et que vous n'entendrez plus de tonalités, le diagnostic s'affichera dans l'application.

REMARQUE

- Pour obtenir les meilleurs résultats, évitez de bouger le téléphone pendant la transmission sonore.

ENTRETIEN

⚠ AVERTISSEMENT

- Pour réduire le risque d'incendie, de décharge électrique ou de blessures, lisez tout ce manuel d'utilisation, y compris les **DIRECTIVES DE SÉCURITÉ**, avant d'utiliser cet appareil.
- Débranchez l'appareil avant de le nettoyer pour éviter tout risque de décharge électrique. Le non-respect de cet avertissement peut entraîner des blessures graves, un incendie, une décharge électrique ou la mort.
- N'utilisez pas de substances volatiles (benzène, diluant à peinture, alcool, acétone, etc.), de nettoyeurs abrasifs ou de détergents contenant des composants chimiques forts lors du nettoyage de l'appareil. Vous risqueriez de provoquer une décoloration, d'endommager l'appareil ou de provoquer un incendie.
- Certaines pièces internes qui ne sont pas mises à la terre intentionnellement posent un risque de décharge électrique durant l'entretien seulement. Remarque à l'intention du personnel d'entretien – Évitez tout contact avec les pièces suivantes lorsque l'appareil est sous tension : la pompe, le moteur, le couvercle du filtre coupe-vent et l'élément chauffant (pour les modèles concernés).

Nettoyage régulier

Entretien après un lavage

Après la fin du cycle, essuyez le couvercle et l'intérieur du joint du couvercle pour enlever l'humidité.

- Essuyez le bâti de la laveuse avec un linge sec pour enlever l'humidité.
- Laissez le couvercle ouvert pour faire sécher l'intérieur de la cuve.

REMARQUE

- Assurez-vous que les enfants et les animaux domestiques n'entrent pas dans la cuve. Utilisez la fonctionnalité **Control Lock (Verrouillage des commandes)** si nécessaire pour empêcher les enfants de démarrer accidentellement un cycle de lavage.

Nettoyage de l'extérieur

Bien entretenir votre laveuse peut prolonger sa durée de vie.

Couvercle :

- Lavez avec un linge humide l'extérieur et l'intérieur, et asséchez ensuite avec un linge doux.

Extérieur :

- Essuyez immédiatement toute éclaboussure.
- Essuyez avec un linge humide.

- Ne touchez pas la surface ou l'écran avec des objets coupants.

Entretien périodique

- Utilisez une serviette ou un linge doux pour essuyer le tour de l'ouverture du couvercle et la vitre du couvercle.
- Retirez toujours les articles de la laveuse aussitôt que le cycle est terminé. Laisser des articles humides dans la laveuse peut causer des plis, le transfert de couleurs et des odeurs.
- Exécutez le cycle **Tub Clean** une fois par mois, ou plus souvent au besoin, pour éliminer l'accumulation de détergent et d'autres résidus.

Nettoyage de la cuve

Au fil du temps, des résidus peuvent s'accumuler dans la cuve, ce qui entraîne la formation de moisissure ou d'une odeur de moisi. Exécutez le cycle **Tub Clean (Nettoyage de la cuve) chaque mois** pour éliminer les résidus et prévenir les odeurs.

REMARQUE

- Assurez-vous d'exécuter le cycle **Tub Clean (Nettoyage de la cuve)** uniquement lorsque la cuve est vide. Ne placez jamais d'articles dans la cuve pendant l'utilisation de ce cycle. Les vêtements pourraient être endommagés ou contaminés par des produits de nettoyage.
- Exécutez le cycle plus souvent en cas d'utilisation intensive ou si des odeurs sont déjà présentes.
- S'il y a déjà de la moisissure ou si vous sentez déjà une odeur de moisi, exécutez ce cycle une

fois par semaine pendant trois semaines consécutives.

- 1 Retirez tous les articles qui se trouvent dans la cuve.
- 2 Ajout d'agents de nettoyage.

Nettoyant	Instructions
Nettoyant pour cuve	Suivez les recommandations du fabricant.
Produit détartrant	
Javellisant chloré liquide	Ajoutez-le au distributeur principal de détergent liquide.
Nettoyant en poudre	Suivez les recommandations du fabricant.
Pastilles nettoyantes	Placez-les directement dans la cuve de la laveuse.

- Pour les autres produits de nettoyage de la cuve, suivez les instructions et les recommandations du fabricant du nettoyant.
 - Ne dépassez pas la ligne de remplissage maximal lorsque vous ajoutez du javellisant ou du nettoyant en poudre. Les nettoyants en poudre peuvent rester dans la cuve après le nettoyage.
- 3 Fermez le couvercle et appuyez sur le bouton **Marche/Arrêt** pour allumer la laveuse.
 - 4 Tournez le bouton ou appuyez sur les boutons de cycle pour sélectionner le cycle **Tub Clean (Nettoyage de la cuve)**, puis appuyez sur le bouton **Démarrer/pause** pour lancer le cycle.
 - 5 À la fin du cycle, ouvrez le couvercle et laissez l'intérieur de la cuve sécher complètement.

AVERTISSEMENT

- Assurez-vous que les enfants et les animaux domestiques n'entrent pas dans la cuve. Utilisez la fonctionnalité **Control Lock (Verrouillage des commandes)** si nécessaire pour empêcher les enfants de démarrer accidentellement un cycle de lavage.

REMARQUE

- Si vous utilisez un détartrant ou un nettoyant pour cuve pendant le cycle **Tub Clean (Nettoyage de la cuve)**, utilisez l'option **Rinse+Spin (Rinçage et essorage)** pour rincer la cuve de la laveuse avant de commencer votre prochain cycle de lavage.

Nettoyage des dépôts minéraux

Si votre eau est dure, des dépôts minéraux peuvent s'accumuler sur les composants internes de la laveuse. Nettoyez régulièrement les dépôts minéraux sur les composants internes pour prolonger la durée de vie de la laveuse. L'utilisation d'un adoucisseur d'eau est recommandée si votre eau est dure.

- Utilisez un produit détartrant pour enlever les dépôts minéraux visibles sur la cuve de la laveuse.
- Après chaque détartrage, démarrez toujours le cycle **Tub Clean (Nettoyage de la cuve)** avant de laver des vêtements.
- L'accumulation de minéraux et les autres taches peuvent être enlevées de la cuve en acier inoxydable à l'aide d'un chiffon doux trempé dans un nettoyant pour acier inoxydable.
- N'utilisez pas de laine d'acier ni de nettoyants abrasifs.

Laisser le couvercle ouvert

Après avoir utilisé la laveuse, laissez le couvercle ouvert pendant la nuit afin de permettre à l'air de circuler et de sécher la cuve. Cela aidera à prévenir les odeurs.

Nettoyage du tiroir du distributeur

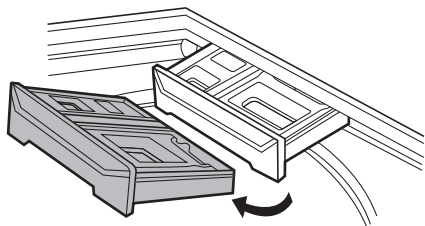
Du détergent et de l'assouplissant peuvent s'accumuler dans le tiroir du distributeur. Retirez le tiroir et les insertions, et vérifiez s'il y a de l'accumulation **une ou deux fois par mois**.

AVERTISSEMENT

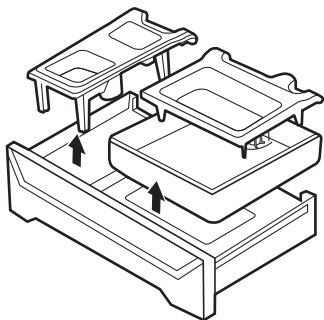
- Ne vaporisez pas d'eau à l'intérieur de la laveuse. Vous risqueriez de provoquer un incendie ou une décharge électrique.

- 1 Éteignez la laveuse et débranchez le cordon d'alimentation.

- 2** Retirez le tiroir en le tirant jusqu'à ce qu'il s'arrête. Soulevez l'avant du tiroir vers le haut et retirez-le complètement.



- 3** Retirez les insertions des deux compartiments.



- 4** Nettoyez les insertions et le tiroir à l'eau tiède.

- Utilisez un chiffon doux ou une brosse douce pour nettoyer et enlever les résidus.
- N'utilisez pas de savon pour nettoyer le tiroir et les insertions.

- 5** Essuyez toute trace d'humidité avec une serviette ou un linge sec après le nettoyage.

- 6** Nettoyez la cavité de l'ouverture du tiroir avec une petite brosse non métallique. Retirez tous les résidus logés dans les parties supérieures et inférieures de la cavité.

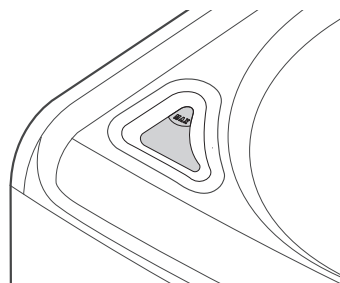
- 7** Remplacez les insertions dans les compartiments appropriés et remettez le tiroir en place.
- Placez le tiroir dans l'ouverture en angle, puis abaissez-le et glissez-le en place.

Nettoyage du distributeur de javellisant

Du javellisant peut s'accumuler sur le couvercle du distributeur de javellisant. Vérifiez si c'est le cas et nettoyez le couvercle **une ou deux fois par mois**.

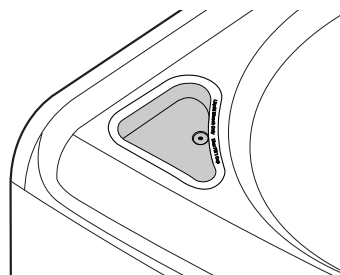
Distributeur automatique de javellisant

Retirez le couvercle du distributeur de javellisant. Nettoyez le couvercle et l'ouverture avec de l'eau chaude.



Distributeur immédiat de javellisant

Le couvercle ne s'enlève pas du distributeur. Nettoyez le couvercle avec une brosse et de l'eau chaude.



Nettoyage des filtres d'arrivée d'eau

Si la laveuse ne se remplit pas correctement, un code d'erreur s'affichera à l'écran. Les grilles des filtres de la soupape d'arrivée sont peut-être bouchées par des dépôts minéraux causés par de l'eau dure, des sédiments ou d'autres débris provenant du système d'approvisionnement en eau.

⚠ AVERTISSEMENT

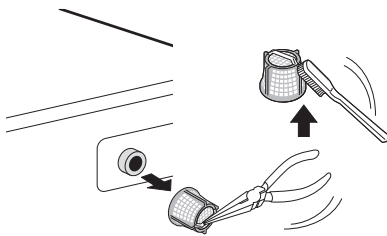
- Les grilles d'arrivée protègent les pièces délicates de la soupape d'arrivée afin qu'elles ne soient pas endommagées par des particules qui pourraient entrer dans les soupapes lors de l'approvisionnement en eau. Le fait de faire fonctionner la laveuse sans ces filtres peut entraîner l'ouverture continue d'une soupape et

provoquer des inondations et des dommages matériels.

⚠ MISE EN GARDE

- N'utilisez pas la laveuse sans ces filtres d'arrivée, car cela entraînera des fuites et un dysfonctionnement.
- Si votre eau est dure, les filtres d'arrivée d'eau pourraient devenir bouchés par l'accumulation de minéraux et nécessiter d'être nettoyés plus souvent.

- 1 Éteignez la laveuse et débranchez le cordon d'alimentation.
- 2 Fermez les robinets d'eau chaude et d'eau froide.
- 3 Dévissez les tuyaux d'eau chaude et d'eau froide de l'arrière de la laveuse.
- 4 Enlevez soigneusement les filtres des soupapes d'eau.
 - Utilisez des pinces pour retirer les filtres des soupapes d'eau.



- 5 Enlevez les objets étrangers et faites tremper les filtres dans du vinaigre blanc ou dans un produit détartrant.
 - Si vous utilisez un produit détartrant, suivez les directives du fabricant. Faites bien attention de ne pas endommager les filtres en les nettoyant.
- 6 Rincez les filtres abondamment et remettez-les en place en appuyant dessus.
- 7 Purgez et raccordez ensuite les tuyaux d'eau.
 - Avant de remettre les tuyaux d'arrivée d'eau en place, purgez-les en y faisant couler plusieurs gallons d'eau dans une chaudière ou un drain, préférablement avec les

robinets complètement ouverts pour obtenir une pression d'eau maximale.

REMARQUE

- Le message d'erreur i E peut clignoter sur l'afficheur lorsque la pression de l'eau est faible ou qu'un filtre d'arrivée est obstrué par de la saleté. Nettoyez le filtre d'arrivée.

Entretien dans les climats froids

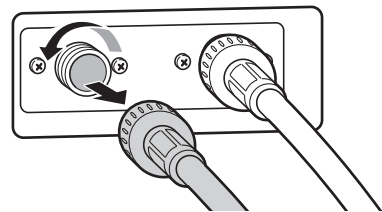
Entreposage de la laveuse

Si vous prévoyez ne pas utiliser la laveuse pendant une période prolongée et si elle se trouve dans une zone susceptible d'être exposée à des températures sous le point de congélation, procédez comme suit pour prévenir les dommages à la laveuse.

REMARQUE

- Assurez-vous que la cuve est vide avant de suivre ces étapes.

- 1 Éteignez la laveuse et débranchez le cordon d'alimentation.
- 2 Fermez les robinets d'eau.
- 3 Débranchez les tuyaux d'arrivée d'eau et évacuez l'eau des tuyaux.



- 4 Branchez le cordon d'alimentation dans une prise électrique correctement mise à la terre.
- 5 Versez 1 gallon de produit antigel non toxique pour véhicules récréatifs dans la cuve vide et fermez le couvercle.
 - N'utilisez jamais de produit antigel pour automobiles.

- 6** Allumez la laveuse et sélectionnez le cycle **Spin (Vitesse d'essorage)**.
- 7** Appuyez sur le bouton **Démarrer/pause** pour activer la pompe de vidange pendant **1 minute**.
 - Cette procédure évacue une partie du produit antigel, mais en laisse assez pour protéger la laveuse contre le gel.
- 8** Éteignez la laveuse et débranchez le cordon d'alimentation.
- 9** Essuyez l'intérieur de la cuve avec un chiffon doux et fermez le couvercle.
- 10** Entreposez la laveuse à la verticale.
- 11** Enlevez les insertions du distributeur. Évacuez toute l'eau qui reste dans les compartiments et laissez-les sécher.
- 12** Pour retirer le produit antigel de la laveuse après l'entreposage, exécutez un cycle **Speed Wash (Lavage rapide)** avec du détergent.
 - N'ajoutez pas de vêtements pour ce cycle.

Lorsque les tuyaux d'arrivée d'eau sont gelés

- 1** Éteignez la laveuse et débranchez le cordon d'alimentation.
- 2** Fermez les robinets raccordés aux tuyaux d'arrivée d'eau.
- 3** Versez de l'eau chaude sur les robinets gelés pour dégeler les tuyaux d'arrivée d'eau, puis enlevez ces derniers.
- 4** Plongez les tuyaux d'arrivée d'eau dans de l'eau chaude pour les décongeler.
- 5** Raccordez les tuyaux d'arrivée d'eau aux arrivées d'eau de la laveuse et aux robinets.
 - Consultez la section **Raccordement des tuyaux d'arrivée d'eau** pour obtenir plus de détails.

- 6** Ouvrez les robinets.
- 7** Appuyez sur le bouton **Marche/Arrêt** pour allumer la laveuse.
- 8** Appuyez sur le bouton **Spin (Vitesse d'essorage)** pendant 3 secondes pour exécuter le cycle **Spin Only (Essorage seulement)** pour le drainage et l'essorage.
- 9** Appuyez sur le bouton **Démarrer/pause** puis vérifiez que l'eau se remplit correctement.

Lorsque le tuyau de vidange est gelé

- 1** Versez de l'eau chaude dans la cuve de la laveuse et fermez le couvercle.
- 2** Attendez pendant une à deux heures.
- 3** Appuyez sur le bouton **Marche/Arrêt** pour allumer la laveuse.
- 4** Appuyez sur le bouton **Spin (Vitesse d'essorage)** pendant 3 secondes pour exécuter le cycle **Spin Only (Essorage seulement)** pour le drainage et l'essorage.
- 5** Appuyez sur le bouton **Démarrer/pause** pour vous assurer que l'eau est bien évacuée.

DÉPANNAGE

La laveuse est dotée d'un système de surveillance automatique des erreurs qui détecte et diagnostique très tôt les problèmes. Si la laveuse ne fonctionne pas correctement ou ne fonctionne pas du tout, vérifiez ce qui suit avant d'appeler un technicien.

Avant d'appeler le réparateur

Messages d'erreur

Symptômes	Causes possibles et solutions
UE ERREUR RELATIVE À UN DÉSÉQUILIBRE	La brassée est trop petite. <ul style="list-style-type: none"> Ajoutez des articles supplémentaires pour permettre à la laveuse d'équilibrer la brassée.
	Des articles lourds sont mélangés avec des articles légers. <ul style="list-style-type: none"> Essayez toujours de laver des articles d'un poids similaire pour permettre à la laveuse de distribuer la charge uniformément durant l'essorage.
	La brassée est déséquilibrée. <ul style="list-style-type: none"> Redistribuez manuellement la brassée si les articles se sont enchevêtrés et empêchent le bon fonctionnement du rééquilibrage automatique.
IE ERREUR D'ENTRÉE D'EAU	Les robinets d'entrée d'eau ne sont pas complètement ouverts. <ul style="list-style-type: none"> Assurez-vous que les robinets d'entrée d'eau sont complètement ouverts.
	Les tuyaux d'entrée d'eau sont pliés, pincés ou écrasés. <ul style="list-style-type: none"> Assurez-vous que les tuyaux ne sont pas pliés, pincés ou écrasés derrière ou sous la laveuse. Faites attention lorsque vous déplacez la laveuse pendant le nettoyage ou l'entretien.
	Les filtres d'entrée d'eau sont bouchés. <ul style="list-style-type: none"> Nettoyez les filtres d'entrée. Consultez la partie ENTRETIEN.
	La pression d'eau de la résidence est trop faible. <ul style="list-style-type: none"> Vérifiez un autre robinet pour vous assurer que la pression d'eau de la maison est adéquate et que le débit n'est pas restreint. Débranchez les tuyaux d'entrée d'eau de la laveuse et faites couler quelques gallons d'eau dans les tuyaux pour rincer les saletés qui pourraient s'y trouver. Si le débit est trop faible, communiquez avec un plombier pour faire réparer les conduites d'alimentation en eau.
	L'alimentation d'eau est connectée avec des boyaux antifuite. <ul style="list-style-type: none"> L'utilisation de tuyaux de limitation des fuites n'est pas recommandée. Ces tuyaux peuvent s'activer faussement et empêcher la laveuse de se remplir.
QE ERREUR D'ÉVACUATION D'EAU	Le tuyau de vidange est écrasé, pincé ou bouché. <ul style="list-style-type: none"> Assurez-vous que le tuyau de vidange n'est pas obstrué et qu'il n'est pas pincé derrière ou sous la laveuse.
	L'extrémité du tuyau de vidange se trouve à plus de 2,4 m (96 po) au-dessus de la partie inférieure de la laveuse. <ul style="list-style-type: none"> Déplacez l'extrémité du boyau d'évacuation de façon à ce qu'il ne se trouve pas à une hauteur de plus de 2,4 m (96 po).
CL FONCTION CONTROL LOCK (VERROUILLAGE DES COMMANDES)	La fonctionnalité de verrouillage des commandes est activée afin d'empêcher quiconque de modifier les cycles ou de faire fonctionner la laveuse. <ul style="list-style-type: none"> Désactivez la fonctionnalité de verrouillage des commandes dans le panneau de commande. Consultez la partie Control Lock (Verrouillage des commandes) dans la section Options et fonctions supplémentaires.

Symptômes	Causes possibles et solutions
dF FONCTIONNALITÉ DE VIDANGE	Fonctionnalité de vidange spéciale <ul style="list-style-type: none"> • Si la laveuse est mise en pause pendant un cycle pendant plus de 4 minutes, le cycle sera annulé et toute l'eau se trouvant encore dans la cuve sera évacuée. • Il ne s'agit pas d'un code d'erreur. Il indique que la fonctionnalité de vidange est en marche.
dÉ ERREUR LIÉE AU COUVERCLE	Le couvercle ne se ferme pas correctement. <ul style="list-style-type: none"> • Fermez le couvercle correctement. • Si le couvercle est fermé et que ce message d'erreur s'affiche encore, appelez un technicien.
dL ERREUR DE VERROUILLAGE DU COUVERCLE	Le couvercle ne se verrouille pas correctement. <ul style="list-style-type: none"> • Assurez-vous que le couvercle est bien fermé et appuyez sur le bouton Démarrer/pause. Vous pouvez entendre le son du couvercle qui se verrouille au début du cycle. La laveuse ne se mettra pas en marche si le couvercle n'est pas verrouillé. • Assurez-vous que rien n'est coincé sous le couvercle (matériaux d'emballage, vêtements, etc.). • Assurez-vous que le mécanisme de verrouillage est complètement rentré. Assurez-vous que le mécanisme de verrouillage est complètement rentré. • Si le couvercle est fermé et que ce message d'erreur s'affiche encore, appelez un technicien.
LE I ERREUR LIÉE À UN OBJET ÉTRANGER	Des objets étrangers tels que des pièces de monnaie, des épingles, des trombones, etc., sont coincés entre le pulseur et la cuve intérieure. <ul style="list-style-type: none"> • Mettez la laveuse hors tension, puis sous tension à nouveau. Appuyez sur le bouton Spin (Vitesse d'essorage) sans sélectionner de cycle pour évacuer l'eau et essorer la brassée. • Lorsque le cycle Spin (Vitesse d'essorage) est terminé, videz la cuve et retirez tous les objets coincés dans le pulseur. • Vérifiez toujours les poches, etc., avant le lavage pour éviter les codes d'erreur ou d'endommager la laveuse et les vêtements. • Pour certains modèles, LE s'affiche en premier, puis I apparaît ensuite.
EcL ALARME DE NETTOYAGE DE LA CUVE	Il est temps de lancer le cycle Tub Clean (Nettoyage de la cuve). <ul style="list-style-type: none"> • Il ne s'agit pas d'un code d'erreur. Il indique que le cycle Tub Clean (Nettoyage de la cuve) est en cours ou doit être exécuté pour nettoyer la cuve de la laveuse. • Pour certains modèles, Ec s'affiche en premier, puis L apparaît ensuite.
ub DÉTECTION D'UN DÉSÉQUILIBRE	La laveuse a détecté une brassée déséquilibrée. <ul style="list-style-type: none"> • Ce code a pour seul but de vous informer et ne nécessite aucune action. Si la laveuse détecte une brassée qui est trop déséquilibrée pour être essorée, elle affiche ce code pendant qu'elle tente de rééquilibrer la brassée. La laveuse ajoutera de l'eau et tentera de redistribuer la brassée automatiquement. • Par conséquent, le cycle sera plus long que ce qui avait été estimé au départ.
lÉ ERREUR LIÉE AU CAPTEUR DE TEMPÉRATURE	Erreur de commande <ul style="list-style-type: none"> • Débranchez la laveuse et attendez 60 minutes. Rebranchez l'alimentation et réessayez. • Si le code d'erreur s'affiche toujours, contactez un technicien.
FE ERREUR DE DÉBORDEMENT	Le niveau d'eau est trop élevé en raison d'une soupape défectueuse. <ul style="list-style-type: none"> • Fermez les robinets, débranchez la laveuse et appelez un technicien.
PE ERREUR DE CAPTEUR DE PRESSION	Le capteur de niveau d'eau ne fonctionne pas correctement. <ul style="list-style-type: none"> • Fermez les robinets, débranchez la laveuse et appelez un technicien.

Symptômes	Causes possibles et solutions
LE ERREUR DE VERROUILLAGE DU MOTEUR	Une erreur de moteur s'est produite. <ul style="list-style-type: none"> Laissez la laveuse reposer pendant 30 minutes et redémarrez le cycle. Si le code d'erreur s'affiche toujours, contactez un technicien.
Eb ERREUR LIÉE À L'EMBRAYAGE	Erreur liée à l'embrayage <ul style="list-style-type: none"> Défaillance mécanique Débranchez la laveuse et contactez un technicien.
P5 ERREUR DE TENSION D'ALIMENTATION	La tension d'alimentation est incorrecte. <ul style="list-style-type: none"> Veuillez appeler le centre de service de LG. Vous pouvez trouver le numéro de téléphone du centre de service local de LG sur la couverture arrière.

Bruits

Symptômes	Causes possibles et solutions
Cliquètement	Un signal sonore se fait entendre lorsque le couvercle se verrouille et se déverrouille. <ul style="list-style-type: none"> Fonctionnement normal
Vaporisation ou sifflement	Eau qui est distribuée ou qui circule durant le cycle. <ul style="list-style-type: none"> Fonctionnement normal
Bourdonnement ou gargouillement	La pompe d'évacuation pompe l'eau de la laveuse quelques fois durant un cycle. <ul style="list-style-type: none"> Fonctionnement normal
De l'eau qui remue	Un liquide dans l'anneau d'équilibrage autour du pulseur aide le panier à tourner en douceur. <ul style="list-style-type: none"> Fonctionnement normal
Eau ajoutée après que la laveuse a déjà commencé à fonctionner	La laveuse s'adapte en fonction de la grosseur et du type de brassée, et rajoute plus d'eau au besoin. <ul style="list-style-type: none"> Fonctionnement normal
	La brassée est peut-être déséquilibrée. Si la laveuse détecte que la brassée est déséquilibrée, elle arrête de fonctionner et se remplit pour redistribuer la charge. <ul style="list-style-type: none"> Fonctionnement normal
	La laveuse dilue peut-être les additifs pour la lessive pour les ajouter à la brassée. <ul style="list-style-type: none"> Fonctionnement normal
Claquement et cliquetis	Des objets étrangers (clés, pièces de monnaie ou épingles de sûreté) peuvent se retrouver dans le tambour ou la pompe. <ul style="list-style-type: none"> Arrêtez la laveuse et vérifiez qu'il n'y a pas de corps étrangers dans la cuve et le filtre d'évacuation. Si le bruit persiste après le redémarrage de la laveuse, communiquez avec un centre de service.
Bruit sourd	Les grosses brassées peuvent produire un bruit sourd. <ul style="list-style-type: none"> C'est normal. Si le bruit persiste, la laveuse est probablement déséquilibrée. Arrêtez et redistribuez la brassée.
	La brassée est peut-être déséquilibrée. <ul style="list-style-type: none"> Mettez le cycle en pause et répartissez la brassée après le déverrouillage du couvercle.

Symptômes	Causes possibles et solutions
Bruit de vibrations	<p>Il reste du matériel d'emballage sur la laveuse.</p> <ul style="list-style-type: none"> • Consultez la partie Déballage et retrait du matériel d'emballage dans la section INSTALLATION.
	<p>La brassée peut-être mal répartie dans la cuve. La brassée est peut-être mal répartie dans la cuve.</p> <ul style="list-style-type: none"> • Mettez le cycle en pause et répartissez la brassée après le déverrouillage du couvercle.
	<p>Les pieds de nivellement ne sont pas tous fermement et également appuyés sur le plancher.</p> <ul style="list-style-type: none"> • Consultez la partie Mise à niveau de la laveuse dans la section INSTALLATION.
	<p>Le plancher n'est pas assez solide.</p> <ul style="list-style-type: none"> • Assurez-vous que le plancher est solide et qu'il ne fléchit pas. Consultez la partie Plancher dans la section INSTALLATION.
Bruit de grincement	<p>Il reste du matériel d'emballage sur la laveuse.</p> <ul style="list-style-type: none"> • Consultez la partie Déballage et retrait du matériel d'emballage dans la section INSTALLATION.
Bruit de claquement lorsque la laveuse se remplit d'eau. (Coup de bélier)	<p>La plomberie dans la maison bouge ou fléchit quand les soupapes d'eau dans la laveuse se referment.</p> <ul style="list-style-type: none"> • Le coup de bélier n'est pas le résultat d'un défaut de la laveuse. Installez des dispositifs antibéliers (achetés séparément dans une quincaillerie ou un centre de bricolage pour la maison) entre le boyau de remplissage et la laveuse pour les meilleurs résultats.
	<p>La pression de l'arrivée d'eau dans la maison est très élevée.</p> <ul style="list-style-type: none"> • Réglez le régulateur de l'arrivée d'eau à une pression plus faible ou contactez un plombier.

Fonctionnement

Symptômes	Causes possibles et solutions
Fuite d'eau	<p>Les tuyaux ne sont pas raccordés correctement.</p> <ul style="list-style-type: none"> • Vérifiez qu'il n'y a pas de fuites, de fissures et de fentes dans les tuyaux et les raccords. • Vérifiez et serrez le raccordement des boyaux.
	<p>Les tuyaux d'évacuation de la résidence sont bouchés.</p> <ul style="list-style-type: none"> • La laveuse évacue l'eau très rapidement. Vérifiez si l'eau refoule du tuyau d'évacuation pendant l'évacuation de la cuve. Si vous voyez de l'eau qui sort du drain, vérifiez que le tuyau de vidange est correctement installé et assurez-vous qu'il n'y a pas de restrictions dans le drain. • Communiquez avec un plombier pour réparer le tuyau de vidange.
	<p>Le tuyau de vidange est sorti du raccord de vidange ou n'est pas inséré suffisamment loin.</p> <ul style="list-style-type: none"> • Fixez le boyau d'évacuation au boyau d'entrée ou au tuyau vertical pour l'empêcher de se déloger durant l'évacuation de la cuve. • Pour les tuyaux d'évacuation plus petits, insérez le boyau d'évacuation dans le tuyau jusqu'à la bride du boyau d'évacuation. Pour les plus gros tuyaux d'évacuation, insérez le boyau d'évacuation dans le tuyau à une distance de un à deux pouces après la bride.
	<p>Un grand article comme un oreiller ou une couverture se trouve sur le dessus de la cuve.</p> <ul style="list-style-type: none"> • Utilisez le cycle Bedding (Literie) pour les articles volumineux. Faites très attention et ne lavez jamais plus d'une demie brassée d'articles qui ont tendance à flotter, comme les oreillers par exemple. • Arrêtez la laveuse et vérifiez la brassée. Assurez-vous que la brassée ne dépasse pas le bord supérieur de la cuve.
	<p>Le détergent produit trop de bulles</p> <ul style="list-style-type: none"> • Un excès de bulles peut créer des fuites. Il peut être causé par le type et la quantité de détergent utilisé. Utilisez uniquement du détergent haute efficacité (HE). La quantité normale de détergent à utiliser est du quart (1/4) ou de la moitié (1/2) de la quantité maximale recommandée par le fabricant du détergent. • Réduisez toujours la quantité de détergent pour une petite brassée ou une brassée d'articles légèrement sales, ou si l'eau est très douce. • N'utilisez jamais plus que la quantité maximale recommandée par le fabricant du détergent.
Excès de bulles	<p>Trop de détergent ou mauvais détergent</p> <ul style="list-style-type: none"> • Les détergents HE sont conçus spécialement pour les laveuses haute efficacité et comportent des agents de réduction de bulles. Utilisez seulement du détergent comportant le logo Haute efficacité (HE). • Consultez la partie Usage du détergent, dans la section FONCTIONNEMENT pour connaître les quantités de détergent à utiliser. Si la mousse ou les résidus de détergent continuent de vous causer des ennuis, ajoutez un rinçage supplémentaire.
La laveuse ne s'allume pas.	<p>Le câble d'alimentation n'est pas correctement branché.</p> <ul style="list-style-type: none"> • Vérifiez que le câble d'alimentation est branché sur une prise c.a. à 3 trous (mise à la terre) de 120 VCA/60 Hz.
	<p>Un fusible de votre résidence est brûlé, un disjoncteur a été déclenché ou il y a une panne de courant.</p> <ul style="list-style-type: none"> • Réinitialisez le disjoncteur ou remplacez le fusible. N'augmentez pas la capacité du fusible. S'il s'agit d'un problème de surcharge du circuit, faites-le corriger par un électricien qualifié.

Symptômes	Causes possibles et solutions
<p>Le cycle de lavage prend plus de temps que d'habitude.</p>	<p>La laveuse ajuste automatiquement la durée du cycle en fonction de la charge, de la pression d'eau et des conditions de fonctionnement.</p> <ul style="list-style-type: none"> • C'est normal. La laveuse ajuste automatiquement la durée du cycle afin d'optimiser les résultats pour le cycle sélectionné. La durée affichée n'est qu'une estimation. La durée réelle peut être différente.
<p>Distribution incomplète ou aucune distribution de détergent</p>	<p>Les compartiments à détergent sont bouchés à cause d'un remplissage incorrect.</p> <ul style="list-style-type: none"> • Assurez-vous que le détergent et les additifs sont placés dans les bons compartiments du distributeur. • Pour tous les types de détergent, assurez-vous toujours que le tiroir du distributeur est complètement fermé avant le démarrage du cycle.
	<p>Trop de détergent utilisé.</p> <ul style="list-style-type: none"> • Assurez-vous que la quantité suggérée de détergent est utilisée selon les recommandations du fabricant. Vous pouvez aussi diluer le détergent avec de l'eau jusqu'au niveau de remplissage maximal du compartiment pour éviter les obstructions. N'utilisez que des détergents HE (haute efficacité). - Utilisez toujours aussi peu de détergent que possible. Les laveuses à haute efficacité (HE) n'ont besoin que d'une très petite quantité de détergent pour obtenir des résultats optimaux. Utiliser trop de détergent causera un lavage et un rinçage de mauvaise qualité et pourrait entraîner des odeurs dans la laveuse.
	<p>Approvisionnement en eau insuffisant</p> <ul style="list-style-type: none"> • Vérifiez que les robinets d'eau chaude et d'eau froide sont tous les deux complètement ouverts.
	<p>Résidus normaux</p> <ul style="list-style-type: none"> • Il est normal qu'une petite quantité de détergent demeure dans le distributeur. Si ces résidus s'accumulent, ils peuvent empêcher la distribution normale des produits. Consultez les directives de nettoyage.

Symptômes	Causes possibles et solutions
La laveuse ne fonctionne pas.	Le panneau de contrôle s'est éteint après une période d'inactivité. <ul style="list-style-type: none"> • C'est tout à fait normal. Appuyez sur le bouton Marche/Arrêt pour allumer la laveuse.
	La laveuse est débranchée. <ul style="list-style-type: none"> • Assurez-vous que le cordon d'alimentation est bien branché dans une prise électrique.
	L'approvisionnement en eau est fermé. <ul style="list-style-type: none"> • Ouvrez complètement le robinet d'eau froide et le robinet d'eau chaude.
	Les commandes ne sont pas réglées correctement. <ul style="list-style-type: none"> • Assurez-vous que le cycle a été réglé correctement, fermez le couvercle et appuyez sur le bouton Démarrer/pause pour démarrer le cycle de lavage.
	Le couvercle est ouvert. <ul style="list-style-type: none"> • Fermez le couvercle et assurez-vous que rien n'est coincé dessous, ce qui l'empêcherait de se fermer complètement.
	Le disjoncteur ou le fusible du circuit est déclenché ou brûlé. <ul style="list-style-type: none"> • Vérifiez les disjoncteurs et les fusibles de la maison. Remplacez les fusibles grillés ou remettez les disjoncteurs en place. La laveuse doit être branchée sur un circuit électrique indépendant.
	Vous n'avez pas appuyé sur le bouton Démarrer/pause après avoir réglé le cycle. <ul style="list-style-type: none"> • Appuyez sur le bouton Marche/Arrêt puis resélectionnez le cycle souhaité et appuyez sur le bouton Démarrer/pause. Si vous n'appuyez pas sur le bouton Démarrer/pause dans un certain délai, la laveuse s'éteindra. (Le délai peut varier selon le modèle, et se situer entre 4 et 60 minutes.)
	La pression d'eau est très faible. <ul style="list-style-type: none"> • Ouvrez un autre robinet de votre résidence pour vérifier si la pression d'eau est adéquate.
La cuve ne se remplit pas correctement.	La laveuse est trop froide. <ul style="list-style-type: none"> • Si la laveuse a été exposée à des températures sous le point de congélation pendant une longue période, laissez-la se réchauffer avant d'appuyer sur le bouton Marche/Arrêt. Sinon, l'écran ne s'allumera pas.
	Le filtre est obstrué. <ul style="list-style-type: none"> • Vérifiez que les filtres d'entrée des soupapes d'entrée d'eau ne sont pas bouchés. Reportez-vous à la partie Nettoyage des filtres d'entrée d'eau dans la section ENTRETIEN.
	Les boyaux d'entrée d'eau sont peut-être écrasés. <ul style="list-style-type: none"> • Vérifiez si les boyaux d'entrée d'eau sont écrasés ou bouchés.
	Efficacité énergétique <ul style="list-style-type: none"> • Il s'agit d'une laveuse à haute efficacité (HE). Par conséquent, les réglages du niveau d'eau de cette laveuse peuvent être différents de ceux des laveuses classiques.
	Approvisionnement en eau insuffisant <ul style="list-style-type: none"> • Vérifiez que les robinets d'eau chaude et d'eau froide sont tous les deux complètement ouverts.
	Le couvercle de la laveuse est ouvert. <ul style="list-style-type: none"> • Fermez le couvercle et assurez-vous que rien n'est coincé dessous, ce qui l'empêcherait de se fermer complètement.
	Le niveau d'eau est trop bas. <ul style="list-style-type: none"> • Normalement, l'eau ne recouvre pas les vêtements. Le niveau de remplissage est optimisé en fonction du mouvement de lavage pour offrir des résultats de lavage optimaux.

Symptômes	Causes possibles et solutions
L'eau dans la laveuse ne s'écoule pas ou s'écoule lentement.	Le tuyau de vidange est écrasé, pincé ou bouché. <ul style="list-style-type: none"> Assurez-vous que le tuyau de vidange n'est pas obstrué et qu'il n'est pas pincé derrière ou sous la laveuse.
	L'extrémité du tuyau de vidange se trouve à plus de 2,4 m (96 po) au-dessus de la partie inférieure de la laveuse. <ul style="list-style-type: none"> Déplacez l'extrémité du boyau d'évacuation de façon à ce qu'il ne se trouve pas à une hauteur de plus de 2,4 m (96 po).
Le javellisant n'est pas distribué.	Le couvercle du distributeur de javellisant n'est pas correctement installé (sur certains modèles). <ul style="list-style-type: none"> Assurez-vous que le couvercle du javellisant est correctement installé et s'est bien mis en place avant le début du cycle.
	Le distributeur de javellisant est sale ou obstrué. <ul style="list-style-type: none"> Soulevez le couvercle du distributeur de javellisant et nettoyez le réservoir. Les peluches et autres débris qui s'accumulent dans le distributeur peuvent empêcher une bonne distribution du javellisant.
Le javellisant est distribué trop tôt.	Le distributeur de javellisant est rempli pour une brassée future. <ul style="list-style-type: none"> Vous ne pouvez pas mettre du javellisant dans le distributeur pour un usage futur. Le javellisant sera distribué à chaque brassée.
	Le distributeur de javellisant est trop rempli. <ul style="list-style-type: none"> Le remplissage excessif du distributeur de javellisant entraînera la distribution immédiate du javellisant, ce qui endommagera les articles ou la laveuse. Mesurez toujours la quantité de javellisant, mais ne dépassez jamais la ligne de capacité maximale du distributeur. Une demi-tasse de javellisant est suffisante pour la plupart des brassées. N'utilisez jamais plus d'une tasse de javellisant.

Performances

Symptômes	Causes possibles et solutions
Plis	La laveuse n'a pas été déchargée assez rapidement. <ul style="list-style-type: none"> Retirez toujours les articles de la laveuse aussitôt que le cycle est terminé.
	La laveuse est surchargée. <ul style="list-style-type: none"> La cuve de la laveuse peut être remplie au maximum de sa capacité, mais son contenu ne doit pas être comprimé. Le couvercle de la laveuse doit se fermer facilement.
	Les boyaux d'entrée d'eau chaude et d'eau froide sont inversés. <ul style="list-style-type: none"> Un rinçage à l'eau chaude peut créer des plis dans les articles. Vérifiez le raccordement des boyaux.

Symptômes	Causes possibles et solutions
Taches	<p>Le javellisant ou l'assouplissant est distribué trop tôt.</p> <ul style="list-style-type: none"> Le compartiment du distributeur a été trop rempli, ce qui a entraîné la distribution immédiate du javellisant ou de l'assouplissant. Il faut toujours mesurer le javellisant et ne jamais utiliser plus d'une tasse.
	<p>Du javellisant ou de l'assouplissant a été ajouté directement à la brassée de lavage dans la cuve.</p> <ul style="list-style-type: none"> Utilisez toujours le distributeur pour vous assurer que les produits de lessive sont correctement distribués, au bon moment durant le cycle.
	<p>On n'a pas déchargé la laveuse promptement.</p> <ul style="list-style-type: none"> Enlevez toujours les articles de la laveuse dès que possible après la fin du cycle.
	<p>Les articles n'ont pas été triés correctement.</p> <ul style="list-style-type: none"> Lavez toujours les articles foncés séparément des articles blancs ou pâles pour éviter le transfert de couleurs. Ne lavez jamais d'articles très sales avec des articles légèrement sales.
Les vêtements restent tachés	<p>Les options adéquates n'ont pas été sélectionnées.</p> <ul style="list-style-type: none"> La saleté plus importante et les taches plus tenaces peuvent nécessiter une puissance de nettoyage supplémentaire. Sélectionnez la fonctionnalité Soak (Trempage) ou Stain Care (Traitement des taches) pour accroître la puissance de nettoyage du cycle sélectionné.
	<p>Taches déjà imprégnées.</p> <ul style="list-style-type: none"> Les articles peuvent comporter des taches qui sont déjà imprégnées depuis un certain temps. Ces taches peuvent être difficiles à éliminer. Un lavage à la main ou un prétraitement pourrait aider à éliminer ces taches.
Odeur de moisi dans la laveuse	<p>Trop de détergent, ou un mauvais détergent, a été utilisé.</p> <ul style="list-style-type: none"> Utilisez uniquement un détergent à haute efficacité (HE), conformément aux instructions du fabricant.
	<p>L'intérieur de la cuve n'a pas été correctement nettoyé.</p> <ul style="list-style-type: none"> Utilisez régulièrement le cycle de Tub Clean (Nettoyage de la cuve).

GARANTIE LIMITÉE

POUR CANADA

CONDITIONS

AVIS D'ARBITRAGE : LA PRÉSENTE GARANTIE LIMITÉE CONTIENT UNE DISPOSITION SUR L'ARBITRAGE QUI EXIGE QUE LE RÈGLEMENT DES DIFFÉRENDS ENTRE VOUS ET LG S'EFFECTUE PAR ARBITRAGE EXÉCUTOIRE PLUTÔT QUE DEVANT UN TRIBUNAL, À MOINS QUE LES LOIS DE VOTRE PROVINCE OU TERRITOIRE L'INTERDISENT OU QUE, DANS UN AUTRE TERRITOIRE DE COMPÉTENCE, VOUS VOUS PRÉVALIEZ D'UNE OPTION DE RETRAIT. LES RECOURS COLLECTIFS ET LES PROCÈS DEVANT JURY NE SONT PAS AUTORISÉS PAR LE PROCESSUS D'ARBITRAGE. VEUILLEZ VOUS RÉFÉRER CI-DESSOUS À L'ARTICLE « PROCÉDURE DE RÈGLEMENT DE DIFFÉREND ».

Si votre laveuse LG («Produit») a tombé en panne en raison d'un défaut de matériaux ou de fabrication sous une utilisation normale et appropriée, pendant la période de garantie indiquée ci-dessous, LG Electronics Canada Inc. («LGECI»), à son gré, réparera ou remplacera le «Produit» ou un offrira un remboursement au prorata après réception de la preuve d'achat originale au détail. Cette garantie limitée est valable uniquement qu'à l'acheteur original du «Produit» du détaillant et s'applique uniquement à un produit distribué, cacheté d'un détaillant autorisé et utilisé au Canada, tel que déterminé à la seule discrétion de «LGECI».

PÉRIODE DE GARANTIE : (Remarque : Dans le cas où la date d'achat initial ne peut pas être vérifiée, la garantie commence soixante (60) jours après la date de fabrication.)		
Laveuse	Cuve en acier inoxydable	Moteur à entraînement direct (moteur ou rotor)
Un (1) an à compter de la date initiale d'achat au détail	Trois (3) ans à compter de la date initiale d'achat au détail.	Dix (10) ans après la date d'achat original de l'appareil.
Pièces et main-d'œuvre (pièces internes et fonctionnelles seulement)	Pièces seulement (le consommateur sera facturé pour la main-d'œuvre)	Pièce seulement (le consommateur sera facturé pour la main-d'œuvre)

- Les produits et pièces de remplacement sont garantis pour la portion restante de la période de garantie originale ou quatre-vingt-dix (90) jours, selon la période la plus longue.
- Les pièces et les produits de rechange peuvent être neufs, reconditionnés, remis à neuf ou réusinés, à la seule discrétion de LGECI.
- Une preuve de l'achat original détaillant le modèle du produit et la date d'achat est exigée pour obtenir le service de garantie en vertu de cette garantie limitée.

LA RESPONSABILITÉ DE LGECI EST LIMITÉE À LA GARANTIE LIMITÉE EXPRIMÉE CI-DESSUS. À L'EXCEPTION DES CAS EXPRESSÉMENT DÉCRITS CI-DESSUS, LGECI DÉCLINE TOUTE AUTRE GARANTIE ET CONDITION CONCERNANT LE PRODUIT, EXPLICITE OU IMPLICITE, Y COMPRIS, MAIS SANS S'Y LIMITER, TOUTE GARANTIE IMPLICITE OU CONDITION DE QUALITÉ MARCHANDE OU D'ADAPTATION À UN USAGE PARTICULIER, ET AUCUNE REPRÉSENTATION NE SERA LIÉE À LGECI. LGECI N'AUTORISE AUCUNE PERSONNE À CRÉER OU À ENDOSSER EN SON NOM TOUTE AUTRE OBLIGATION DE GARANTIE OU RESPONSABILITÉ RELATIVE AU PRODUIT. DANS LA MESURE OÙ TOUTE GARANTIE OU CONDITION EST IMPLICITE PAR LA LOI, ELLE EST LIMITÉE À LA PÉRIODE DE GARANTIE INDIQUÉE CI-DESSUS. EN AUCUN CAS, LGECI, LE FABRICANT OU LE DISTRIBUTEUR DU PRODUIT NE SERONT TENUS RESPONSABLES DE TOUT DOMMAGE ACCESSOIRE, CONSÉCUTIF, SPÉCIAL, DIRECT, INDIRECT, PUNITIF OU EXEMPLAIRE, Y COMPRIS, MAIS SANS S'Y LIMITER, LA PERTE DE CLIENTÈLE, LA PERTE DE PROFITS, LA PERTE DE PROFITS ANTICIPÉS, LA PERTE DE REVENUS, LA PERTE D'UTILISATION OU TOUT AUTRE DOMMAGE, QU'IL PROVIENNE DIRECTEMENT OU INDIRECTEMENT DE TOUTE INFRACTION CONTRACTUELLE, VIOLATION FONDAMENTALE, DÉLICTEUELLE OU AUTRE, OU DE TOUT ACTE OU OMISSION. LA RESPONSABILITÉ TOTALE DE LGECI, LE CAS ÉCHÉANT, N'OUTREPASSERA PAS LE PRIX D'ACHAT QUE VOUS AVEZ PAYÉ POUR LE PRODUIT.

Cette garantie limitée vous donne des droits légaux particuliers. D'autres droits peuvent vous être accordés en fonction de votre province et de ses lois applicables. Toute condition de cette garantie limitée qui rejette ou modifie une condition ou garantie implicite dans le cadre des lois provinciales est dissociable lorsqu'elle entre en conflit avec ces lois provinciales, sans que cela n'affecte le reste des conditions de cette garantie.

LA PRÉSENTE GARANTIE LIMITÉE NE COUVRE PAS CE QUI SUIT :

- Tout déplacement du technicien pour : i) livrer, reprendre, installer ou; éduquer comment utiliser le Produit; ii) corriger le câblage ou plomberie; ou iii) rectifier toute réparation ou installation non-autorisée du Produit;
- Les dommages ou la défaillance du produit causés par une panne de courant, une interruption de l'alimentation électrique ou une mauvaise alimentation en électricité;
- Les dommages ou la défaillance causés par des conduites d'eau qui fuient ou qui sont brisées, des conduites d'eau gelées, des conduites de drainage obstruées, une alimentation en eau inadéquate ou interrompue ou un apport d'air insuffisant;
- Les dommages ou les défaillances attribuables à l'utilisation du produit dans un milieu corrosif ou à un usage contraire aux instructions du manuel d'utilisation;
- Les dommages ou la défaillance du produit causés par des accidents, des insectes nuisibles, de la vermine, la foudre, le vent, un incendie, une inondation ou une catastrophe naturelle, ou toute autre cause indépendante de la volonté de LGECI ou du fabricant;
- Les dommages ou la défaillance causés par une mauvaise utilisation, un abus, une installation inadéquate, une mauvaise réparation ou un entretien inadéquat du produit. Une mauvaise réparation comprend l'utilisation de pièces non approuvées ou non spécifiées par LGECI. L'installation ou l'entretien inadéquats comprennent une installation ou un entretien contraires aux instructions du manuel d'utilisation du produit;
- Dommage ou panne en raison de modification ou altération non autorisée du produit, ou si utilisé pour fins autres que celle d'appareil ménager domestique, ou dommage ou panne résultant de toute fuite d'eau due à une mauvaise installation du produit;
- Les dommages ou la défaillance causés par un courant électrique, une tension ou des codes de plomberie incorrects;
- Les dommages ou la défaillance causés par un usage autre qu'une utilisation domestique normale, y compris, mais sans s'y limiter, une utilisation commerciale ou industrielle, y compris dans des bureaux commerciaux ou dans des installations récréatives, ou de toute autre façon décrite dans le manuel d'utilisation du produit;
- Les dommages ou les défaillances causés par l'utilisation d'accessoires, de composants ou de produits de nettoyage qui ne sont pas approuvés ou autorisés par LGECI;
- Les dommages ou la défaillance causés par le transport et la manutention, y compris les rayures, les bosses, les entailles ou autres dommages à la finition du produit, à moins que ces dommages ne résultent de défauts de pièce ou de main-d'œuvre et soient rapportés à LGECI dans la première semaine suivant la livraison du produit;
- Les dommages ou les éléments manquants de tout affichage, boîte ouverte, produit remis à neuf ou produit en rabais;
- Tout produit remis à neuf ou tout autre produit vendu « tel quel », « tel que disponible », « avec tous les défauts », ou tout avis de non-responsabilité semblable;
- Les produits dont le numéro de série original a été retiré, modifié ou ne peut être facilement déterminé à la discrétion de LGECI;
- L'augmentation des coûts des services publics et les dépenses supplémentaires connexes associées de quelque façon que ce soit au produit;
- Le remplacement des ampoules, des filtres, des fusibles ou de tout autre article consommable;
- Les coûts associés au retrait et à la réinstallation du produit aux fins de réparation;

- Les bruits liés au fonctionnement normal, le non-respect des directives du manuel d'utilisation, d'entretien ou d'installation de même que l'utilisation de l'appareil dans un environnement inadéquat ne sont pas couverts par cette garantie.
- La couverture pour réparations à domicile, pour produit sous garantie, sera fournie si le produit se trouve dans un rayon de 150 km du centre de service autorisé (ASC) le plus près, tel que déterminé par LG Canada. Si votre produit est situé à l'extérieur du rayon de 150 km d'un centre de service autorisé, tel que déterminé par LG Canada, il en ira de votre responsabilité d'apporter votre produit, à vos frais, au centre de service (ASC) pour réparation sous garantie.

Tous coûts et dépenses associés aux circonstances exclues ci-dessus, énumérés sous la rubrique « Cette garantie limitée ne couvre pas » sont à la charge du consommateur.

AFIN D'OBTENIR SOUTIEN DE GARANTIE ET INFORMATIONS SUPPLÉMENTAIRES, VEUILLEZ NOUS APPELER OU VISITER NOTRE SITE WEB :

Composez le 1 888 542-2623 et sélectionnez l'option appropriée dans le menu, ou visitez notre site Web au <http://www.lg.com>.

PROCÉDURE DE RÈGLEMENT DE DIFFÉREND :

SAUF LA OÙ LA LOI L'INTERDIT, TOUT DIFFÉREND ENTRE VOUS ET LG ASSOCIÉ DE QUELQUE FAÇON QUE CE SOIT À LA PRÉSENTE GARANTIE LIMITÉE SE RÈGLE EXCLUSIVEMENT PAR ARBITRAGE EXÉCUTOIRE PLUTÔT QUE DEVANT UN TRIBUNAL DE DROIT COMMUN. SAUF LÀ OÙ LA LOI L'INTERDIT, VOUS ET LG RENONCEZ IRRÉVOCABLEMENT À TOUT DROIT À UN PROCÈS DEVANT JURY, AINSI QU'À EXERCER UN RECOURS COLLECTIF OU À Y PARTICIPER.

Définitions. Aux fins du présent article, « LG » désigne LG Electronics Canada Inc., ses sociétés mères, ses filiales et ses sociétés affiliées et tous leurs dirigeants, administrateurs, employés, agents, bénéficiaires, détenteurs précédents des mêmes droits, successeurs, cessionnaires et fournisseurs; « différend » et « réclamation » englobent tout différend, réclamation ou litige de quelque sorte que ce soit (fondés sur une responsabilité contractuelle, délictuelle, légale, réglementaire ou découlant d'une ordonnance, par fraude, fausse représentation ou sous quelque régime de responsabilité que ce soit) découlant de quelque façon que ce soit de la vente, des conditions ou de l'exécution du produit ou de la présente garantie limitée.

Avis de différend. Si vous prévoyez engager une procédure d'arbitrage, vous devez d'abord envoyer à LG un préavis écrit d'au moins 30 jours à l'adresse suivante : Équipe juridique LGECI, 20 Norelco Drive, North York, Ontario, Canada M9L 2X6 (l'« avis de différend »). Vous et LG convenez de discuter en toute bonne foi pour tenter de régler le différend à l'amiable. L'avis doit mentionner votre nom, votre adresse, votre numéro de téléphone, le produit faisant l'objet de la réclamation, la nature de la réclamation et la réparation demandée. Si vous et LG ne parvenez pas à régler le différend dans les 30 jours suivant la réception de l'avis de différend par LG, le différend doit être réglé par arbitrage exécutoire conformément à la procédure établie aux présentes. Vous et LG convenez que, tout au long du processus d'arbitrage, les modalités (y compris les montants) de toute offre de règlement formulée par vous ou par LG ne seront pas divulguées à l'arbitre et resteront confidentielles à moins d'accord contraire entre les deux parties ou que l'arbitre règle le différend.

Entente d'arbitrage exécutoire et renonciation à un recours collectif. Si la réclamation n'a pu être réglée dans les 30 jours suivant la réception de l'avis de différend par LG, vous et LG convenez de ne régler les réclamations vous opposant que par arbitrage exécutoire au cas par cas, à moins que vous vous prévaliez de l'option de retrait évoquée plus haut ou que vous résidiez dans un territoire de compétences qui interdit la pleine application de cette clause dans le cas de réclamations de ce type (Dans lequel cas, si vous êtes un consommateur, cette clause ne s'appliquera que si vous acceptez expressément l'arbitrage). Dans la mesure où la loi en vigueur le permet, aucun différend entre vous et LG ne peut être combiné ou regroupé avec un différend faisant intervenir le produit ou la réclamation d'une personne ou entité tierce. Plus précisément et sans limiter la portée de ce qui précède, sauf dans la mesure où une telle interdiction n'est pas autorisée en droit, en aucun cas un différend entre vous et LG ne peut être traité dans le cadre d'un recours collectif. Au lieu de l'arbitrage, les parties peuvent tenter une action individuelle devant une cour des petites créances, mais cette action ne peut pas être intentée dans le cadre d'un recours collectif, sauf dans la mesure où une telle interdiction n'est pas autorisée en droit dans votre province ou territoire de compétences pour une réclamation en cause qui nous oppose.

Règles et procédures d'arbitrage. Pour soumettre une réclamation à un arbitrage, l'une des deux parties, soit vous, soit LG, doit déposer une demande écrite à cet effet. L'arbitrage est privé et confidentiel et

s'effectue selon une procédure simplifiée et accélérée devant un arbitre unique choisi par les parties conformément aux lois et règlements en vigueur portant sur l'arbitrage commercial de votre province ou territoire de résidence. Vous devez également envoyer une copie de votre demande écrite à LG Electronics Canada Inc., Legal Department - Arbitration, 20 Norelco Drive, North York, Ontario M9L 2X6. La présente disposition sur l'arbitrage est régie par les lois et règlements sur l'arbitrage commercial applicables de votre province ou territoire. La sentence arbitrale peut donner lieu à un jugement de n'importe quel tribunal compétent. Toutes les décisions relèvent de l'arbitre, à l'exception des questions associées à la portée et à l'applicabilité de la disposition sur l'arbitrage et à l'arbitrabilité du différend, qui sont du ressort du tribunal. L'arbitre est tenu de respecter les modalités de la présente disposition.

Droit applicable. Les lois de votre province ou territoire d'achat régissent la présente garantie limitée et tout différend entre nous, sauf dans la mesure où de telles lois sont supplantées par des lois fédérales, provinciales ou territoriales applicables ou sont incompatibles avec ces dernières. Si l'arbitrage n'est pas autorisé pour régler une réclamation, une poursuite, un différend ou un litige nous opposant, nous nous en remettons à la compétence exclusive des tribunaux de votre province ou territoire d'achat pour le règlement de la réclamation, de la poursuite, du différend ou du litige nous opposant.

Coûts/frais. Vous n'avez pas besoin de payer des frais pour engager l'arbitrage. À la réception de votre demande d'arbitrage écrite, LG réglera rapidement la totalité des frais de dépôt de la demande d'arbitrage, sauf si vous réclamez des dommages-intérêts supérieurs à 25 000 \$. Dans ce cas, le paiement de ces frais sera régi par les règles d'arbitrage applicables. Sauf disposition contraire aux présentes, LG paiera tous les frais de dépôt de demande et d'administration ainsi que les honoraires de l'arbitre conformément aux règles d'arbitrage applicables et à la présente disposition sur l'arbitrage. Si vous obtenez gain de cause lors de l'arbitrage, LG paiera vos frais et honoraires d'avocats dans la mesure où ceux-ci sont raisonnables, en tenant compte de certains facteurs, y compris, mais sans s'y limiter, le montant de l'achat et de la réclamation. Nonobstant ce qui précède, si la loi applicable permet d'accorder une indemnité de frais et d'honoraires d'avocats, l'arbitre peut l'accorder dans la même mesure qu'un tribunal. Si l'arbitre estime que la base de votre réclamation ou que la mesure réparatoire demandée dans la réclamation est frivole ou qu'elle se base sur des motifs déplacés (au regard des lois applicables), le paiement de tous les frais d'arbitrage sera régi par les règles d'arbitrage applicables. Dans un tel cas, vous acceptez de rembourser à LG la totalité des montants versés qu'il vous revient autrement de payer en vertu des règles d'arbitrage applicables. Sauf indication contraire, LG renonce à tous les droits qu'elle pourrait avoir relativement à la réclamation de frais et honoraires d'avocats si LG prévaut lors de l'arbitrage.

Audience et lieu de l'arbitrage. Si votre réclamation est égale ou inférieure à 25 000 \$, vous pouvez opter pour un arbitrage conduit selon l'une des modalités suivantes uniquement : 1) sur examen des documents remis à l'arbitre, 2) par audience téléphonique ou 3) par audience en personne selon les dispositions des règles d'arbitrage applicables. Si votre réclamation dépasse 25 000 \$, le droit à une audience sera défini par les règles d'arbitrage applicables. Les audiences arbitrales en personne se tiendront à l'endroit le plus proche et le plus pratique pour les deux parties situé dans votre province ou votre territoire de résidence, sauf si nous convenons mutuellement d'un autre lieu ou d'un arbitrage par téléphone.

Dissociabilité et renonciation. Si une partie de la présente garantie limitée (y compris les présentes procédures d'arbitrage) n'est pas applicable, les dispositions restantes demeurent en vigueur dans la mesure permise par la loi applicable. Le fait de ne pas exiger la stricte exécution d'une disposition de la présente garantie limitée (y compris les présentes procédures d'arbitrage) ne signifie pas que nous ayons renoncé ni que nous ayons l'intention de renoncer à toute disposition ou partie de la présente garantie limitée.

Option de retrait. Vous pouvez vous retirer de la présente procédure de règlement de différend. Dans ce cas, ni vous ni LG ne pouvez imposer à l'autre partie de participer à une procédure d'arbitrage. Pour vous prévaloir de l'option de retrait, vous devez envoyer un préavis à LG dans les trente (30) jours civils à compter de la date de l'achat du produit par le premier acheteur i) dans un courriel adressé à optout@lge.com et dont la ligne d'objet porte la mention « Retrait de l'arbitrage » ou ii) en composant le 1-800-980-2973. Que ce soit par courriel ou par téléphone, vous devrez donner a) votre nom et votre adresse; b) la date d'achat du produit; c) le nom ou le numéro de modèle du produit et d) le numéro de série [qu'il est possible de trouver i) sur le produit ou ii) en ligne au https://www.lg.com/ca_fr/soutien/repairation-garantie/demande-reparation, Trouver mes numéros de modèle et de série].

Si vous vous prévaliez de l'option de retrait, les lois de votre province ou territoire de résidence régissent la présente garantie limitée et tout différend entre nous, sauf dans la mesure où de telles lois sont supplantées par des lois fédérales, provinciales ou territoriales applicables ou sont incompatibles avec ces

dernières. Si l'arbitrage n'est pas autorisé pour régler une réclamation, une poursuite, un différend ou un litige nous opposant, nous nous en remettons à la compétence exclusive des tribunaux de votre province ou territoire de compétence pour le règlement de la réclamation, de la poursuite, du différend ou du litige nous opposant

Vous ne pouvez vous prévaloir de l'option de retrait que de la manière décrite plus haut (c'est-à-dire par courriel ou par téléphone). Aucun autre type d'avis ne sera pris en compte pour le retrait de la présente procédure de règlement de différend. Le fait de se retirer de la présente procédure de règlement de différend ne compromet d'aucune façon la protection accordée en vertu de la garantie limitée, et vous continuerez à jouir de tous les avantages prévus par la garantie limitée. Si vous conservez ce produit sans vous prévaloir de l'option de retrait, vous acceptez les conditions générales de la disposition sur l'arbitrage énoncée ci-dessus.

Conflit de modalités. En cas de conflit ou d'incompatibilité entre les modalités de la présente garantie limitée et le contrat de licence d'utilisation (CLU) en ce qui concerne le règlement des différends, les modalités de la présente garantie limitée contrôlent et régissent les droits et obligations des parties et ont préséance sur le CLU.



LG

Life's Good

LG Customer Information Center

For inquiries or comments,
visit **www.lg.com** or call:

1-800-243-0000 U.S.A.

1-888-542-2623 CANADA

Register your product Online!

www.lg.com