



INSTALLATION MANUAL

WALL OVEN

Read this installation manual thoroughly before installing the appliance and keep it handy for reference at all times.

ENGLISH

WSED30***



MFL72061401
Rev.01_040324

www.lg.com

Copyright © 2024 LG Electronics Inc. All Rights Reserved.

2

TABLE OF CONTENTS

3 IMPORTANT SAFETY INSTRUCTIONS

3 READ ALL INSTRUCTIONS BEFORE USE

3 Safety Messages

3 WARNING

3 Installation

5 INSTALLATION

5 Before Installing

5 Proper Location and Dimensions

9 Parts / Tools

10 Installing and Testing the Oven

10 Unpacking and Removing Oven Doors

11 Making Electrical Connections

11 Installing Oven and Assembling Oven Doors

13 Ventilation

13 Test the Oven Before Use

IMPORTANT SAFETY INSTRUCTIONS

READ ALL INSTRUCTIONS BEFORE USE

Safety Messages

Your safety and the safety of others are very important.

We have provided many important safety messages in this manual and on your appliance. Always read and follow all safety messages.



This is the safety alert symbol.

This symbol alerts you to potential hazards that can kill or injure you and others. All safety messages will follow the safety alert symbol and either the word **WARNING** or **CAUTION**.

These words mean:



WARNING

You may be killed or seriously injured if you do not follow instructions.



CAUTION

You may be injured or cause damage to the product if you do not follow instructions.

All safety messages will tell you what the potential hazard is, tell you how to reduce the chance of injury, and tell you what may happen if the instructions are not followed.

WARNING

WARNING

- To reduce the risk of explosion, fire, death, electric shock, injury or scalding to persons when using this product, follow basic precautions, including the following:

Installation

- Never allow anyone to climb, sit, stand or hang on the oven door. Injury might result from contact with hot food or the oven itself.
- Do not line the oven walls, racks, bottom, or any other part of the oven with aluminum foil or any other material. Doing so will disrupt heat distribution, produce poor baking results and cause permanent damage to the oven interior. (aluminum foil will melt on the interior surface of the oven.)
- Do not use aluminum foil or any other material to line the oven bottom. Improper installation of oven liners may result in a risk of electric shock or fire.
- Make sure your appliance is properly installed and grounded by a qualified installer, according to the installation instructions. Any adjustment and service should be performed only by qualified installers or service technicians.
- Be certain that all packing materials are removed from the appliance before operating. Keep plastic, clothes, paper, and other flammable materials away from parts of the appliance that may become hot.
- The electrical power must be shut off while the electrical connections are being made.
- Improper connection of aluminum house wiring to copper leads can result in an electrical hazard or fire. Use only connectors designed for joining copper to aluminum and follow the manufacturer's recommended procedure closely.
- Important – Save for the local electrical inspector's use

4 IMPORTANT SAFETY INSTRUCTIONS

SAVE THESE INSTRUCTIONS

INSTALLATION

Before Installing

Proper Location and Dimensions

⚠ CAUTION

- The cabinet base platform must be able to support 190 lbs (86 kg) for a single built-in oven. If the cabinet does not have a solid bottom, two braces or runners must be installed level with the bottom of the cutout to support the weight of the appliance. Make sure the base is level and the front of the cabinet is square. If the cabinet base is not level, the oven racks will tend to slide out when opening the door.
- Make sure the cabinets and wall coverings around the oven can withstand the temperature (up to 194 °F (90 °C)) generated by the oven. Discoloration, delamination or melting may occur.
- Kitchen cabinets in contact with the oven must be heat resistant up to 194°F (90°C), and fronts of nearby units up to at least 158°F (70°C).
- The information in this manual should be followed exactly. Failure to do so could result in fire or electrical shock, causing property damage, personal injury or death.
- DO NOT put any weight on the oven door. Never allow anyone to climb, sit, stand or hang on the oven door. The oven could be tipped and injury might result from contact with hot food or the oven itself.
- DO NOT block the oven air exhaust located at the bottom of the oven. Blocking the exhaust may cause cabinet damage and product malfunction.

NOTE

- Make sure the oven is flush with the front of the enclosure.
- A malfunction can occur if the steam oven is not correctly aligned. For correct functioning of the steam generator please make sure that the steam oven is horizontally level. (On some models)
- When mounting in a built-in cabinet, decide the dimension of the built-in cabinet's depth so that the offset between the door glass face and front surface of the left and right sides of the cabinet will be less than 1/16" (1 mm).

- Remove the cable ties before installing the product.

Installation Information

The first step of the installation is to measure the current cutout dimensions and compare them to the cutout dimensions shown below. Little or no cabinet work may be necessary.

NOTE

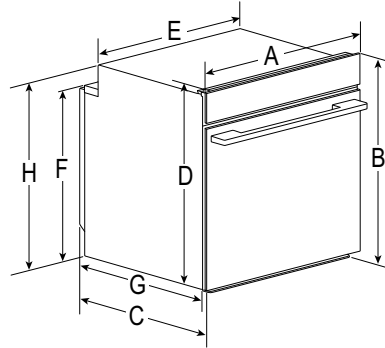
- Make sure the base is level and the front of the cabinet is square. If the cabinet base is not level, the oven glides will tend to slide out when opening the door.
- To lift the oven, use the openings on the side.
- Do not install a dishwasher under the oven.
- Do not install the product on the floor.

6 INSTALLATION

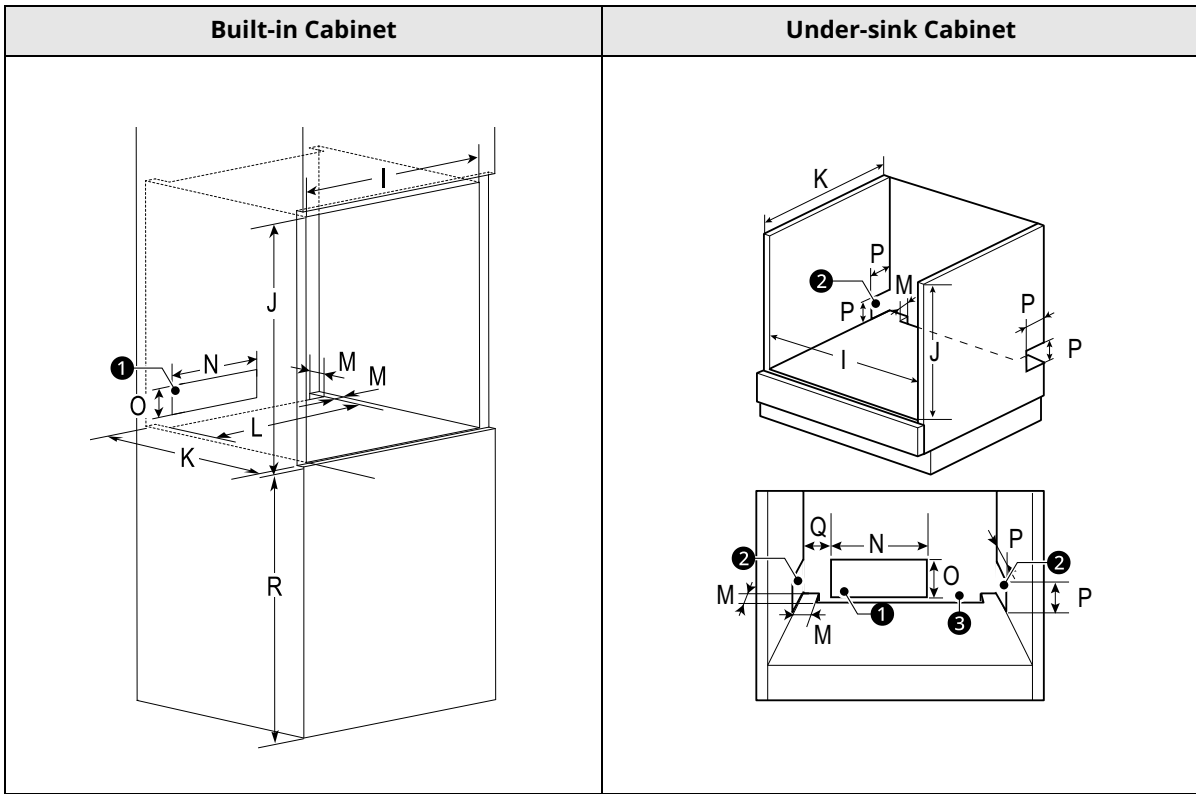
Dimensions and Clearances

Measure the current cutout dimensions and compare them to the cutout dimensions shown below. Little or no cabinet work may be necessary. The image may differ from the actual model.

Product



List		Dimensions
A	Width	23 5/16" (592 mm)
B	Height	23 3/8" (594 mm)
C	Depth	22 7/16" (569 mm)
D	Height (standard installation)	22 13/16" (579 mm)
E	Width (back)	22" (558 mm)
F	Height (back)	19 13/16" (503 mm)
G	Depth (back)	21 5/8" (549 mm)
H	Overlap of oven	22 11/16" (576 mm)



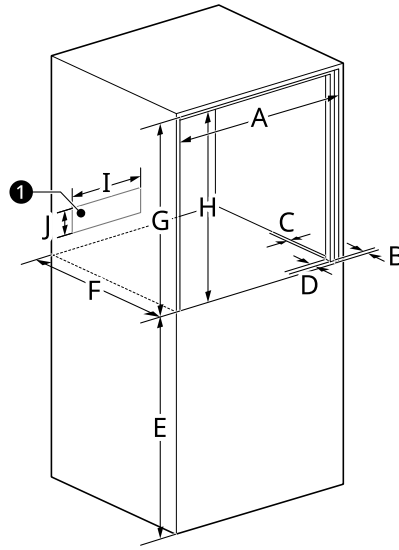
- ① Back of the kitchen cabinet
- ② Side of the kitchen cabinet
- ③ Ventilation space

If desired, create openings at ① and ② to allow the power lines to pass through the cabinet.

List		Dimensions	
		Built-in Cabinet	Under-sink Cabinet
I	Cutout width	22 1/16" (560 mm) Min. 22 3/16" (563 mm) Max.	22 1/16" (560 mm) Min.
J	Cutout height	23 1/4" (590 mm) Min. 23 3/8" (593 mm) Max.	23 5/8" (600 mm) Min.
K	Cutout depth	21 15/16" (556 mm) Min.	21 15/16" (556 mm) Min.
L	Width (ventilation)	18 1/8" (460 mm)	18 1/8" (460 mm)
M	Distance (ventilation)	2" (50 mm)	2" (50 mm)
N	Width (back of the kitchen cabinet)	12 5/8" (320 mm)	12 5/8" (320 mm)
O	Height (back of the kitchen cabinet)	2 3/4" (70 mm)	4 3/4" (120 mm)
P	Distance (side of the kitchen cabinet)	-	3 15/16" (100 mm)
Q	Distance from side wall to cabinet	2 3/4" (70 mm)	2 3/4" (70 mm)
R	Cutout location from floor	27 9/16" (700 mm) (19 11/16" ~ 35 7/16") (500 ~ 900 mm)	-

8 INSTALLATION

Cutout Dimensions (Flush)



① Back of the kitchen cabinet

If desired, create an opening at ① to allow the power lines to pass through the cabinet.

List		Dimensions
A	Cutout width	23 5/8" (600 mm)
B	Cleat inset from front of cabinet	13/16" (20 mm)
C	Cleat width	13/16" (20 mm)
D	Cleat depth	1 3/16" (30 mm)
E	Bottom of cutout from floor	27 9/16" (700 mm)
F	Cutout depth	22 7/8" (580 mm)
G	Cutout height	23 5/8" (600 mm)
H	Cleat (spacer) height	22 7/8" (580 mm)
I	Width (back of the kitchen cabinet)	12 5/8" (320 mm)
J	Height (back of the kitchen cabinet)	2 13/16" (70 mm)

Parts / Tools

⚠ WARNING

- Mounting screws must be used. Failure to do so can result in the oven falling out of the cabinet and causing serious injury.

Parts Provided



1

- 1 3 X 26 2 Wood screws for mounting

Tools Needed



1

- 1 Phillips screwdriver

NOTE

- Observe all governing codes and ordinances.
- Have the installer show you the location of the circuit breaker or fuse. Mark it for easy reference.
- Be sure your appliance is installed and grounded properly by a qualified installer or service technician.

10 INSTALLATION

Installing and Testing the Oven

Unpacking and Removing Oven Doors

⚠ WARNING

- Keep packing materials out of the reach of children. Packaging material can be dangerous for children. There is a risk of suffocation.
- You should use two or more people to move and install the appliance. (Excessive Weight Hazard) Failure to do so can result in back or other injury.
- Do not use the door handles to push or pull the appliance during installation or when moving the appliance out for cleaning or service. Doing so can result in serious damage to the door of the appliance.
- To reduce the risk of burns, do not move this appliance while it is hot.

NOTE

- To remove any remaining tape or glue, rub the area briskly with your thumb. Tape or glue residue can also be easily removed by rubbing a small amount of liquid dish soap over the adhesive with your fingers. Wipe with warm water and dry.
- Do not use sharp instruments, rubbing alcohol, flammable fluids, or abrasive cleaners to remove tape or glue. These products can damage the surface of your appliance.
- Door removal is not a requirement for installation of the oven, but is an added convenience.

Unpacking Materials

Remove any packing material from the oven before installing the oven.

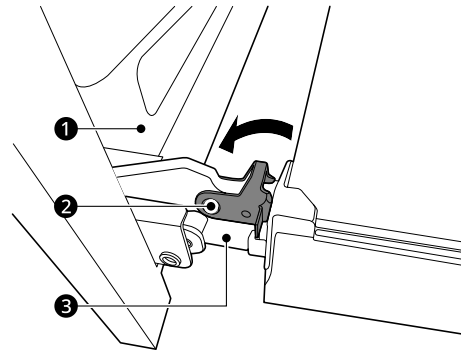
- 1 Remove all tape from around the oven.
- 2 Open the oven door and remove the packaging materials and oven racks inside the oven.

Removing Oven Door

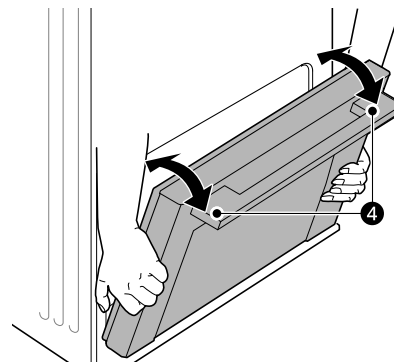
⚠ CAUTION

- Lock the hinge locks completely in order to prevent damaging the oven cavity.

- 1 Fully open the door.
- 2 Lift up the door hinge locks ② and flip them towards the oven ① completely.



- 3 Firmly grasp both sides of the door at the top.
- 4 Close the door to the removal position (approximately 70 degrees ④). If the position is correct, the hinges ③ will move freely.



- 5 Lift and pull the door towards you until the hinge arms are completely free.

NOTE

- Use two hands to remove the oven door.

NOTE

- Do not lift the door by the handle. The oven door is very heavy. Firmly grasp the door by the sides before lifting it off the hinges.
- Do not lay the oven door on its handle. Doing so may cause dents or scratches.

- 1 Use caution when lifting the oven and wear gloves to protect hands from any sharp edges.
- 2 Use two or more people to lift the oven using the handles on the sides of the oven.

ENGLISH

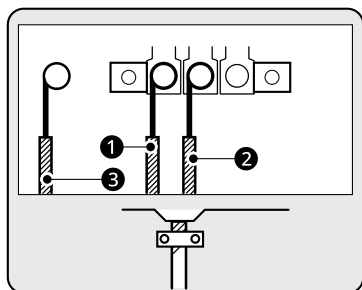
Making Electrical Connections

3-Wire Connection from Home Power Supply

The oven must be connected by a licensed electrician in accordance with these instructions and in compliance with local regulations. Make sure the voltage shown on the rating label is the same as the power supply voltage in your home.

The oven must be connected to the power supply by means of an all-pole disconnect switch with a minimum contact gap of 1/8" (3 mm) and must be connected to earthed socket by law. The supply plug must be accessible after the installation. The oven's components operate at 240 V / 16 A. Identify the phase and neutral conductor in the socket. Incorrect connection may damage the oven.

Connect the oven to the power supply.

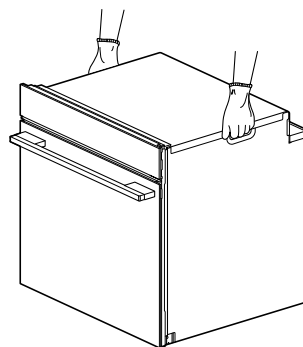


- 1 L1 (Black)
- 2 L2 (Red)
- 3 Ground (Green)

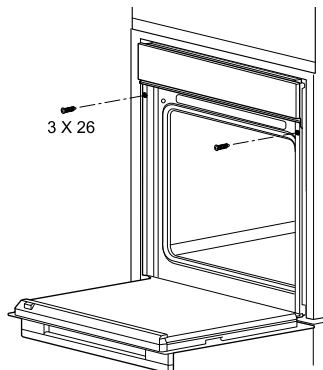
Installing Oven and Assembling Oven Doors

Installing the Oven

Install the oven into the cabinet as follows:

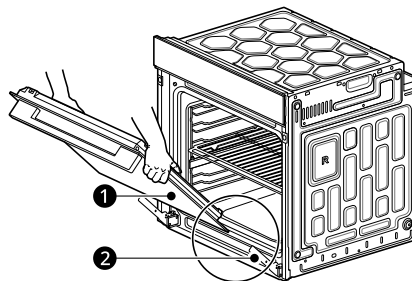


- 3 Secure the oven in the enclosure with screws.



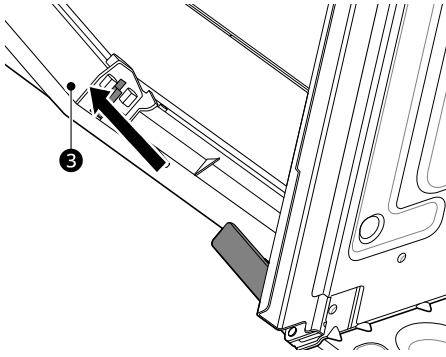
Assembling Oven Doors

- 1 Firmly grasp both sides of the door 1 near the top.



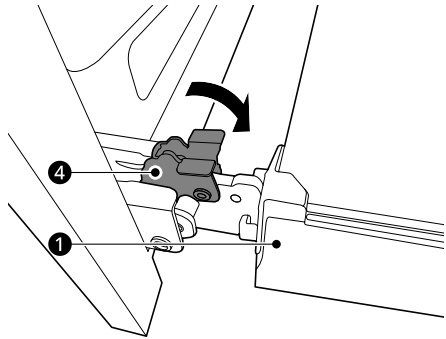
- 2 Fully insert the hinges 2 into the slots 3.

12 INSTALLATION



- 3** Slowly open the door fully. Make sure that the hinges **2** are properly engaged in the slots **3**.

- 4** Lift up the door hinge locks **4** and flip them towards the oven door **1** until they click into position.

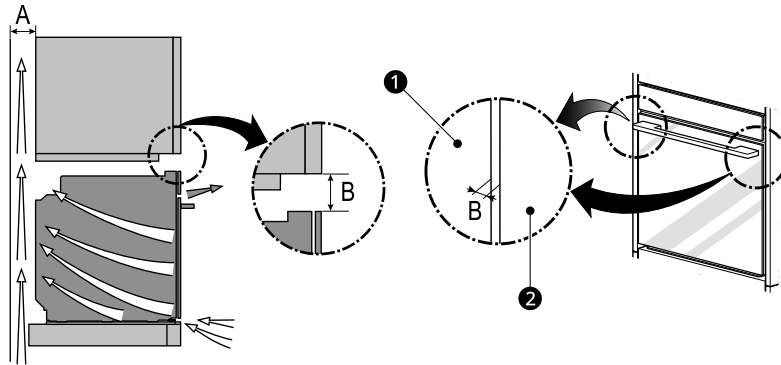


- 5** Close the oven door.

Ventilation

For Ventilation

For correct ventilation, a ventilation opening of 2" (50 mm) is required between the back wall and the floor of the installation cabinet, a ventilation gap of 3/16" (5 mm) is required between the oven top rim and the bottom of the enclosure's front face, and between both sides of the oven and the sides of the cabinet. These openings must not be blocked in any way. Ensure that the sides of the enclosure are not touching the front edges of the oven housing.



- 1 Oven
- 2 Close kitchen cabinet or appliance.

List		Dimensions
A	Ventilation gap	2" (50 mm)
B	Wall gap	3/16" (5 mm)

Test the Oven Before Use

Each of the functions has been factory checked before shipping. However, it is suggested that you verify the operation of the oven once more. Refer to the owner's manual and follow the instructions for the basic check.

NOTE

- Depending on the model, some of the following functions may not be available.

- 1 Turn on the power supply.
 - The initial signal sound is heard and a startup animation or the clock appears in the display.
- 2 Check the operation of the **Convection Bake** or **Conv. Bake** mode.
- 3 Check the operation of the **Broil** mode.

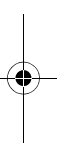
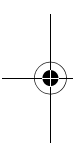
- 4 Turn on and off the oven light to check that the lights are working properly.

NOTE

- A small amount of smoke and odor may be noticeable during the initial break-in period.
- If the oven does not operate properly see the owner's manual for the troubleshooting list. The list includes common occurrences that are not the result of defective workmanship or materials in this product. If the problem occurs continuously, contact the dealer.
- Refer to the warranty in the owner's manual for the LG toll-free service number and address.
- This manual may contain images or content that may be different from the model you purchased.



14 Memo





MANUAL DE INSTALACIÓN

HORNO DE PARED

Lea detenidamente el manual de instalación antes de instalar el aparato y consérvelo a mano en todo momento para su referencia.

ESPAÑOL

WSED30***

www.lg.com

Copyright © 2024 LG Electronics Inc. Todos los derechos reservados

2

ÍNDICE

3 INSTRUCCIONES IMPORTANTES DE SEGURIDAD

3 LEA TODAS LAS INSTRUCCIONES ANTES DE UTILIZAR

3 Mensajes de Seguridad

3 ADVERTENCIA

3 Instalación

5 INSTALACIÓN

5 Antes de la instalación

5 Dimensiones y ubicación adecuadas

9 Piezas/Herramientas

10 Instalación y prueba del horno

10 Desembalaje y extracción de las puertas del horno

11 Conexiones eléctricas

11 Instalación del horno y colocación de las puertas del horno

13 Ventilación

13 Pruebe el horno antes de usarlo

INSTRUCCIONES IMPORTANTES DE SEGURIDAD

LEA TODAS LAS INSTRUCCIONES ANTES DE UTILIZAR

ESPAÑOL

Mensajes de Seguridad

Su seguridad y la de los demás son muy importantes.

Tanto en este manual como en el equipo, hemos proporcionado muchos mensajes de seguridad importantes. Siempre debe leer y respetar todos los mensajes de seguridad.



Este es el símbolo de alerta de seguridad.

Este símbolo le advierte de posibles peligros que pueden matarlos o lastimarlos a usted y a otros. Todos los mensajes de seguridad seguirán el símbolo de alerta de seguridad y la palabra ADVERTENCIA o PRECAUCIÓN.

Estos términos significan lo siguiente:



ADVERTENCIA

Podría sufrir lesiones graves o la muerte si no sigue las instrucciones.



PRECAUCIÓN

Puede resultar lesionado o causar daño al producto si no sigue las instrucciones.

Todos los mensajes de seguridad le indicarán cuál es el riesgo potencial, le indicarán cómo reducir la probabilidad de lesiones y le proporcionarán información sobre qué podría suceder si no se siguen las instrucciones.

ADVERTENCIA

ADVERTENCIA

- Para reducir el riesgo de explosiones, incendios, descargas eléctricas, quemaduras, lesiones o muerte de las personas al usar este producto, siga las precauciones básicas, incluidas las siguientes:

Instalación

- Nunca permita que nadie se suba, pare o cuelgue de la puerta del horno. Podría sufrir lesiones por el contacto con la comida caliente o el horno mismo.
- No recubra las paredes del horno, los estantes, el fondo ni ninguna otra parte del horno con papel de aluminio ni ningún otro material. Esto altera la distribución de calor, produce resultados de horneado deficientes y causa daños permanentes al interior del horno (el papel de aluminio se fundirá en la superficie interior del horno).
- No utilice papel de aluminio ni ningún otro material para revestir la base del horno. La instalación inadecuada de los revestimientos del horno podría causar riesgo de descarga eléctrica o incendio.
- Haga que un instalador calificado instale y conecte a tierra su electrodoméstico de manera apropiada, de acuerdo con las instrucciones de instalación. Cualquier ajuste y servicio deben realizarlo exclusivamente instaladores de hornos o técnicos de servicio calificados.
- Asegúrese de retirar todos los materiales del embalaje antes de la puesta en funcionamiento. Mantenga el plástico, telas, papel y otros materiales inflamables lejos de las piezas del electrodoméstico que se podrían calentar.
- Se debe cortar el suministro de electricidad mientras se llevan a cabo las conexiones eléctricas.

4 INSTRUCCIONES IMPORTANTES DE SEGURIDAD

- La conexión incorrecta del cableado doméstico de aluminio a los cables de cobre puede provocar descargas eléctricas o un incendio. Utilice únicamente conectores diseñados para unir cobre con aluminio y siga al pie de la letra el procedimiento recomendado por el fabricante.
- Importante - Guardar para el uso del inspector local de electricidad

GUARDE ESTAS INSTRUCCIONES

INSTALACIÓN

Antes de la instalación

Dimensiones y ubicación adecuadas

⚠ PRECAUCIÓN

- La plataforma base del gabinete debe poder soportar 190 lbs (86 kg) de un horno empotrado individual. Si el gabinete no cuenta con un fondo sólido, deben instalarse dos travesaños o guías nivelados con la parte inferior del corte para sostener el peso del electrodoméstico. Asegúrese de que la base se encuentre nivelada y que el frente del gabinete esté derecho. Si la base del gabinete no está nivelada, los estantes del horno tenderán a deslizarse hacia afuera cuando se abra la puerta.
- Asegúrese de que los gabinetes y los revestimientos de las paredes ubicados alrededor del horno puedan resistir la temperatura (de hasta 194 °F [90 °C]) generada por el horno. Puede producirse decoloración, delaminación o derretimiento.
- Los gabinetes de la cocina en contacto con el horno deben ser resistentes al calor hasta 194 °F (90 °C) y los frentes de las unidades cercanas de hasta al menos 158 °F (70 °C).
- La información en este manual se debe seguir exactamente. Si no se hace, podría tener como resultado incendio o descarga eléctrica, causar daños a la propiedad, lesiones personales o la muerte.
- NUNCA coloque peso sobre la puerta del horno. Nunca permita que nadie se suba, siente, pare o cuelgue de la puerta del horno. El horno se podría inclinar y podría sufrir lesiones por el contacto con la comida caliente o el horno mismo.
- NO bloquee la salida del aire del horno, ubicada en la parte inferior del horno. Si bloquea la salida, puede causar daños en el gabinete y mal funcionamiento del producto.

NOTA

- Asegúrese de que el horno esté a nivel con el frontal del espacio de instalación.
- Puede producirse un funcionamiento incorrecto si el horno de vapor no está correctamente alineado. Para un funcionamiento correcto del generador de vapor, asegúrese de que el horno

de vapor esté horizontalmente nivelado. (En algunos modelos)

- Cuando lo monte en un gabinete empotrado, decida la dimensión de la profundidad del gabinete empotrado de forma que el desfase entre la cara de cristal de la puerta y la superficie frontal de los lados izquierdo y derecho del gabinete sea inferior a 1/16" (1 mm).
- Retire las bridas previo a la instalación del producto.

Información de instalación

El primer paso de la instalación es medir las dimensiones actuales de la abertura y compárelas con las dimensiones de corte que se muestran a continuación. Puede ser necesario realizar poco o nada de trabajo en los gabinetes.

NOTA

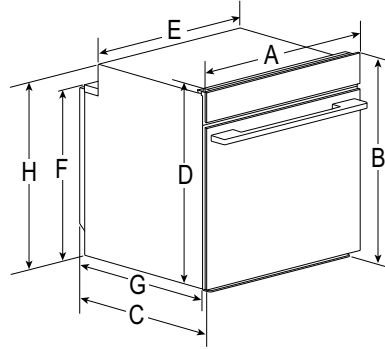
- Asegúrese de que la base está nivelada y de que la parte frontal del armario está a escuadra. Si la base del armario no está nivelada, las guías del horno tenderán a deslizarse hacia fuera al abrir la puerta.
- Para levantar el horno, use las aberturas del lateral.
- No instale un lavavajillas bajo el horno.
- No instale el producto en el piso.

6 INSTALACIÓN

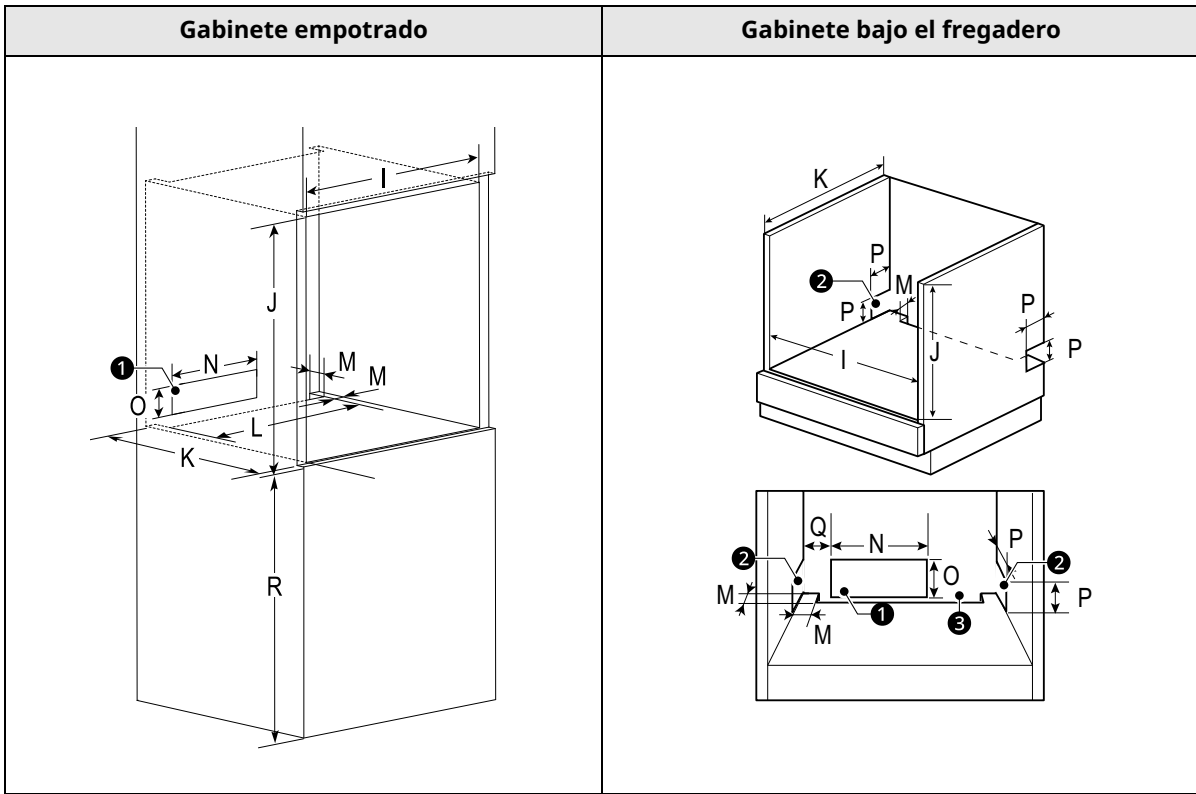
Dimensiones y espacios

Mida las dimensiones actuales de la abertura y compárelas con las dimensiones de corte que se muestran a continuación. Puede ser necesario realizar poco o nada de trabajo en los gabinetes. La imagen puede ser distinta al modelo real.

Producto



Lista		Dimensiones
A	Ancho	23 5/16" (592 mm)
B	Alto	23 3/8" (594 mm)
C	Profundidad	22 7/16" (569 mm)
D	Alto (instalación estándar)	22 13/16" (579 mm)
E	Ancho (posterior)	22" (558 mm)
F	Altura (posterior)	19 13/16" (503 mm)
G	Profundidad (posterior)	21 5/8" (549 mm)
H	Superposición del horno	22 11/16" (576 mm)



1 Parte posterior del gabinete de la cocina	2 Lateral del gabinete de la cocina	3 Espacio de ventilación
--	--	---------------------------------

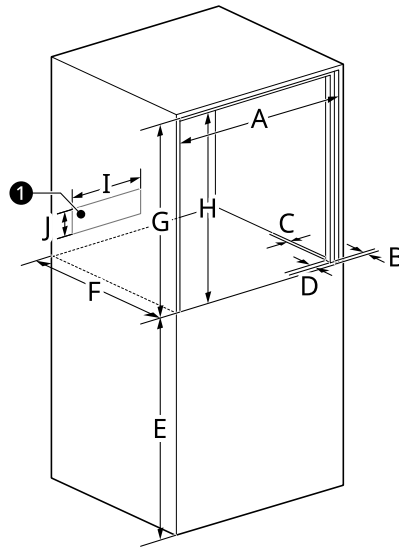
Si lo desea, cree las aberturas con **1** y **2** para permitir que las líneas de alimentación pasen por el gabinete.

Lista		Dimensiones	
		Gabinete empotrado	Gabinete bajo el fregadero
I	Ancho del corte	Mín. 22 1/16" (560 mm) Máx. 22 3/16" (563 mm)	Mín. 22 1/16" (560 mm)
J	Alto del corte	Mín. 23 1/4" (590 mm) Máx. 23 3/8" (593 mm)	Mín. 23 5/8" (600 mm)
K	Profundidad del corte	Mín. 21 15/16" (556 mm)	Mín. 21 15/16" (556 mm)
L	Ancho (ventilación)	18 1/8" (460 mm)	18 1/8" (460 mm)
M	Distancia (ventilación)	2" (50 mm)	2" (50 mm)
N	Ancho (parte posterior del gabinete de la cocina)	12 5/8" (320 mm)	12 5/8" (320 mm)
O	Altura (parte posterior del gabinete de la cocina)	2 3/4" (70 mm)	4 3/4" (120 mm)
P	Distancia (lateral del gabinete de la cocina)	-	3 15/16" (100 mm)
Q	Distancia desde la pared lateral al gabinete	2 3/4" (70 mm)	2 3/4" (70 mm)

8 INSTALACIÓN

Lista		Dimensiones	
		Gabinete empotrado	Gabinete bajo el fregadero
R	Ubicación del corte respecto del piso	27 9/16" (700 mm) (19 11/16" ~ 35 7/16") (500 ~ 900 mm)	-

Dimensiones de corte (al ras)



1 Parte posterior del gabinete de la cocina

Si lo desea, cree una abertura con 1 para permitir que las líneas de alimentación pasen por el gabinete.

Lista		Dimensiones
A	Ancho del corte	23 5/8" (600 mm)
B	Inserción de la abrazadera desde la parte frontal del gabinete	13/16" (20 mm)
C	Ancho de la abrazadera	13/16" (20 mm)
D	Profundidad de la abrazadera	1 3/16" (30 mm)
E	Parte inferior del corte desde el piso	27 9/16" (700 mm)
F	Profundidad del corte	22 7/8" (580 mm)
G	Alto del corte	23 5/8" (600 mm)
H	Alto de la abrazadera (espaciador)	22 7/8" (580 mm)
I	Ancho (parte posterior del gabinete de la cocina)	12 5/8" (320 mm)
J	Altura (parte posterior del gabinete de la cocina)	2 13/16" (70 mm)

Piezas/Herramientas

⚠ ADVERTENCIA

- Deben utilizarse tornillos de montaje. De lo contrario, el horno podría caer del gabinete y ocasionar lesiones graves.

Piezas incluidas



1

- 1 3 X 26 2 Tornillos para madera y montaje

Herramientas necesarias



1

- 1 Destornillador Phillips

NOTA

- Cumpla todos los códigos y ordenanzas vigentes.
- Solicite al instalador que le muestre la ubicación del disyuntor o fusible. Márquelo para que sea fácil de detectar.
- Asegúrese de que su electrodoméstico esté instalado correctamente y con la conexión a tierra adecuada, a cargo de un instalador o técnico de mantenimiento calificado.

10 INSTALACIÓN

Instalación y prueba del horno

Desembalaje y extracción de las puertas del horno

⚠ ADVERTENCIA

- No deje los materiales de empaque al alcance de los niños. Estos materiales pueden ser peligrosos para los niños y presentan riesgo de asfixia.
- Debe haber dos o más personas para mover e instalar el electrodoméstico. (Peligro de peso excesivo). Si no se cumple con esto, se pueden producir lesiones en la espalda o de otro tipo.
- No utilice las manijas de la puerta para empujar o tirar del electrodoméstico durante la instalación ni al moverlo para tareas de limpieza o reparaciones. Si lo hace, podría causar daños graves a la puerta del electrodoméstico.
- Para reducir el riesgo de quemaduras, no mueva el electrodoméstico mientras esté caliente.

NOTA

- Para remover cualquier cinta adhesiva o goma restante frote enérgicamente el área con su pulgar. La cinta adhesiva o residuos de goma pueden ser fácilmente removidos frotando una pequeña cantidad de jabón líquido para platos con sus dedos. Limpie con agua caliente y seque.
- No utilice instrumentos puntiagudos, alcohol para frotar, fluidos inflamables o limpiadores abrasivos para remover cinta adhesiva o goma. Estos productos pueden dañar la superficie del electrodoméstico.
- La eliminación de la puerta no es un requisito para la instalación del horno, pero es una conveniencia agregada.

Materiales de embalaje

Retire todos los materiales de embalaje del horno antes de proceder a su instalación.

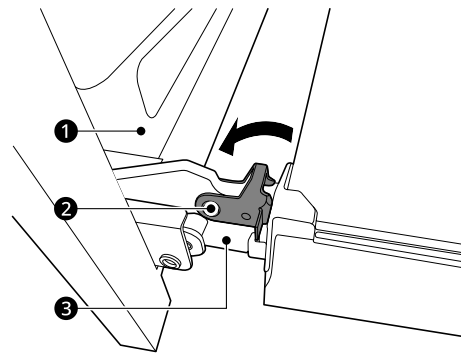
- 1 Retire toda la cinta de alrededor del horno.
- 2 Abra la puerta del horno y retire los materiales de embalaje y los estantes del interior del horno.

Extracción de la puerta del horno

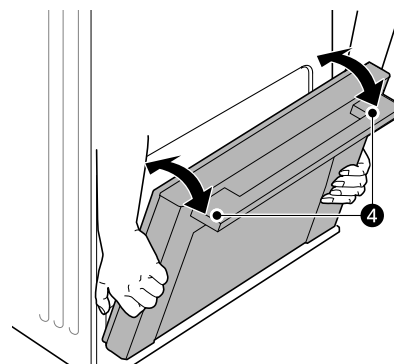
⚠ PRECAUCIÓN

- Bloquee las trabas de las bisagras completamente para prevenir daños en la cavidad del horno.

- 1 Abra la puerta totalmente.
- 2 Eleve las trabas de las bisagras de la puerta ② y levántelas hacia el horno ① completamente.



- 3 Tome firmemente ambos lados de la puerta desde la parte superior.
- 4 Cierre la puerta hasta la posición para su retirada (aproximadamente 70 grados ④). Si la posición es la correcta, las bisagras ③ se moverán con libertad.



- 5 Eleve y jale de la puerta hacia usted hasta que los brazos de la bisagra esté completamente libres.

NOTA

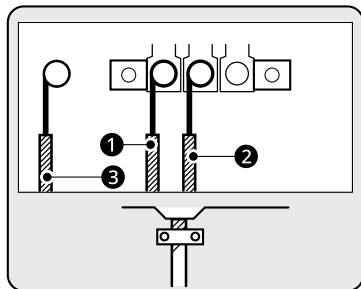
- Use ambas manos para quitar la puerta del horno.
- No levante la puerta tomándola de la manija. La puerta del horno es muy pesada. Sujétela firmemente de los costados antes de levantarla y liberarla de las bisagras.
- No apoye la puerta del horno sobre la manija. Si lo hace, pueden producirse abolladuras o rayones.

Conexiones eléctricas**Conexión de circuito de 3 hilos al suministro de energía doméstico**

El horno debe ser conectado por un electricista autorizado de acuerdo con estas instrucciones y siguiendo la normativa local. Asegúrese de que el voltaje indicado en la etiqueta de características es el mismo con el voltaje de alimentación de su hogar.

El horno debe conectarse a la red eléctrica mediante un interruptor de desconexión omnipolar con una distancia mínima entre contactos de 1/8" (3 mm) y debe conectarse a un tomacorriente con toma de tierra según la ley. El enchufe de alimentación debe ser accesible luego de la instalación. Los componentes del horno funcionan a 240 V / 16 A. Identifique la fase y el conductor neutro en el tomacorriente. Una conexión incorrecta podría dañar el horno.

Conecte el horno al suministro de alimentación.

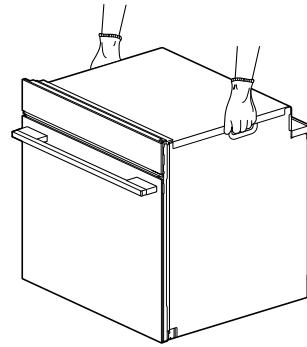


- ❶ L1 (Negro)
- ❷ L2 (Rojo)
- ❸ Tierra (Verde)

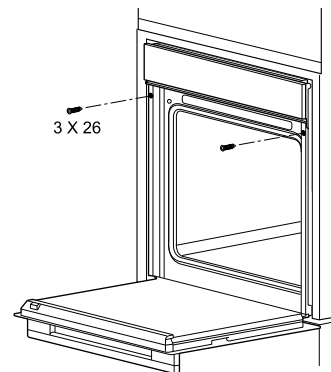
Instalación del horno y colocación de las puertas del horno**Instalación del horno**

Instale el horno en el gabinete de la siguiente manera:

- 1 Tenga cuidado cuando levante el horno y use guantes para protegerse las manos de cualquier borde filoso.
- 2 Utilice dos o más personas para levantar el horno utilizando las manijas de los laterales del horno.

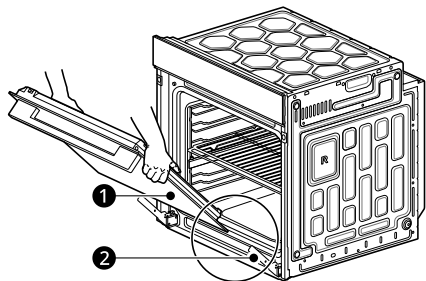


- 3 Fije el horno en el espacio de instalación con tornillos.

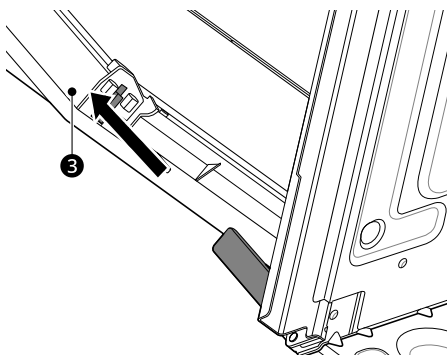
**Colocación de las puertas del horno**

- 1 Tome firmemente ambos lados de la puerta ❶ desde la parte superior.

12 INSTALACIÓN

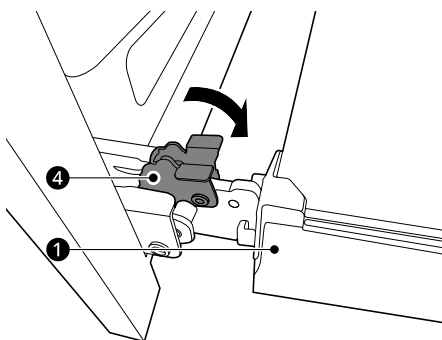


- 2** Inserte completamente las bisagras **2** en las ranuras **3**.



- 3** Abra la puerta lenta y completamente. Asegúrese de que las bisagras **2** estén completamente encajadas en la ranuras **3**.

- 4** Eleve las trabas de las bisagras de la puerta **4** y voltéelas hacia la puerta del horno **1** hasta que hagan clic en su posición.

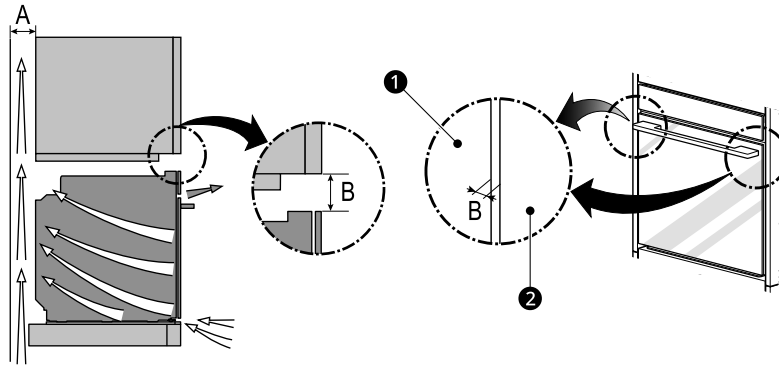


- 5** Cierre la puerta del horno.

Ventilación

Para la ventilación

Para una correcta ventilación, se requiere una abertura de ventilación de 50 mm (2") entre la pared trasera y el piso del gabinete de instalación, un hueco de ventilación de 5 mm (3/16") entre el extremo superior del horno y la parte inferior de la cara frontal del espacio de instalación, y entre ambos lados del horno y los laterales del gabinete. Estas aberturas no deben bloquearse de ninguna manera. Asegúrese de que los laterales del espacio de instalación no tocan los extremos frontales de la carcasa del horno.



- 1 Horno
- 2 Cierre el gabinete de la cocina o el electrodoméstico.

Lista		Dimensiones
A	Hueco de ventilación	2" (50 mm)
B	Espacio hasta la pared	3/16" (5 mm)

Pruebe el horno antes de usarlo

Cada una de las funciones se comprobó en la fábrica antes del despacho. Sin embargo, le sugerimos que verifique el funcionamiento del horno una vez más. Consulte el Manual del Propietario y siga las instrucciones para la verificación básica.

NOTA

- Según el modelo, algunas de las funciones pueden no estar disponibles.

- 1 Encienda el suministro de alimentación.
 - Suena la señal inicial y la animación de inicio o el reloj aparece en la pantalla.
- 2 Verifique el funcionamiento del modo **Hornear por convección** o **Conv. Bake**.

- 3 Verifique el funcionamiento del modo **Broil (Asar)**.

- 4 Encienda y apague la luz del horno para verificar que las luces están funcionando correctamente.

NOTA

- Es posible que perciba un poco de humo u olor durante los primeros usos del electrodoméstico.
- Si el horno no funciona correctamente consulte la lista de resolución de problemas en el manual del propietario. La lista incluye situaciones comunes que no se deben a defectos en los materiales o la fabricación del producto. Si el problema se produce de manera continua, comuníquese con el vendedor.
- Consulte la garantía, en el Manual del propietario, para obtener el número telefónico gratuito del servicio de LG y su dirección.

14 INSTALACIÓN

NOTA

- Este manual podría contener imágenes o contenidos que podría ser diferente del modelo que adquirió.
-



MANUEL D'INSTALLATION

FOUR MURAL

Veillez lire attentivement le présent manuel d'installation avant d'installer l'appareil et conservez-le à portée de la main pour le consulter en tout temps.

FRANÇAIS

WSED30***

www.lg.com

Copyright © 2024 LG Electronics Inc. Tous droits réservés

2

TABLE DES MATIÈRES

3 CONSIGNES DE SÉCURITÉ IMPORTANTES

3 LISEZ TOUTES LES CONSIGNES AVANT L'UTILISATION

3 Messages de sécurité

3 AVERTISSEMENTS

3 Installation

5 INSTALLATION

5 Avant l'installation

5 Emplacement approprié et dimensions

9 Pièces / Outils

10 Installation et test du four

10 Déballage et retrait des portes des fours

11 Raccordements électriques

11 Installation du four et assemblage des portes de four

13 Ventilation

13 Vérification du four avant son utilisation

CONSIGNES DE SÉCURITÉ IMPORTANTES

LISEZ TOUTES LES CONSIGNES AVANT L'UTILISATION

FRANÇAIS

Messages de sécurité

Il est très important d'assurer votre sécurité et celle des autres.

Nous fournissons de nombreux conseils de sécurité importants dans ce manuel et sur votre appareil. Lisez toujours l'ensemble des messages de sécurité et respectez-les.



Ceci est le symbole d'alerte de sécurité.

Ce symbole vous alerte de dangers potentiels qui peuvent causer la mort ou des blessures. Tous les messages de sécurité seront précédés du symbole d'alerte de sécurité et du terme AVERTISSEMENT ou MISE EN GARDE.

Ces mots signifient :



AVERTISSEMENT

Vous pouvez être tué ou grièvement blessé si vous ne suivez pas les consignes.



MISE EN GARDE

Vous pourriez vous blesser ou endommager le produit si vous ne suivez pas les consignes.

Tous les messages de sécurité vous indiqueront quel est le danger potentiel, comment réduire les risques de blessures et ce qui peut se produire en cas de non-respect des consignes.

AVERTISSEMENTS

AVERTISSEMENT

- Pour réduire les risques d'explosion, d'incendie, de mort, de décharge électrique, de blessures ou de brûlure lors de l'utilisation de ce produit, prenez les précautions élémentaires, y compris les suivantes :

Installation

- Ne laissez jamais personne grimper, s'asseoir, se tenir debout sur la porte ou s'y accrocher. Le contact avec des aliments chauds ou avec le four lui-même peut entraîner des blessures.
- Ne recouvrez pas les parois du four, les grilles, la sole ou toute autre partie du four avec du papier d'aluminium ou tout autre matériau. Cela perturberait la distribution de la chaleur, donnerait de mauvais résultats de cuisson et endommagerait de manière permanente l'intérieur du four (le papier d'aluminium fondrait sur la surface intérieure du four).
- N'utilisez pas de papier d'aluminium ou tout autre matériau pour couvrir le fond du four. Une mauvaise installation de revêtements dans le four peut provoquer une décharge électrique ou un incendie.
- Assurez-vous que votre appareil est correctement installé et mis à la terre par un installateur qualifié, conformément aux instructions d'installation. Tous les travaux de réparation ou d'entretien doivent être réalisés exclusivement par des installateurs ou des techniciens qualifiés.
- Assurez-vous qu'il n'y a pas de matériaux d'emballage sur l'appareil avant de le mettre en marche. Gardez les pellicules plastiques, les vêtements, le papier et les autres matériaux inflammables loin des parties de l'appareil qui peuvent devenir chaudes.
- L'alimentation électrique doit être coupée pendant le branchement des connexions électriques.
- Un mauvais branchement des fils domestiques en aluminium aux fils en cuivre peut causer un court-circuit ou un incendie. N'utilisez que des connecteurs conçus pour raccorder des fils en cuivre et en aluminium, et suivez scrupuleusement la procédure recommandée par le fabricant.

4 CONSIGNES DE SÉCURITÉ IMPORTANTES

- Important - A conserver pour l'usage de l'inspecteur électrique local

GARDEZ CES CONSIGNES

INSTALLATION

Avant l'installation

Emplacement approprié et dimensions

⚠ MISE EN GARDE

- La base de la plateforme de l'armoire doit pouvoir supporter 190 lb (86 kg) pour cet appareil. Si la base de l'armoire n'est pas assez solide, il faut installer deux renforts ou supports au même niveau que la partie inférieure de la découpe pour supporter le poids de l'appareil. Assurez-vous que la base de l'armoire est au niveau et que le devant de l'armoire est perpendiculaire. Si la base de l'armoire n'est pas au niveau, les grilles du four pourraient glisser vers l'extérieur lors de l'ouverture de la porte.
- Assurez-vous que les armoires et les revêtements muraux situés autour du four peuvent résister aux températures générées par le four (jusqu'à 194 °F ou 90 °C). Les matériaux qui les composent peuvent se décolorer, se décoller ou fondre.
- Les armoires de cuisine en contact avec le four doivent pouvoir résister à des températures allant jusqu'à 194 °F (90 °C), et la façade des appareils avoisinants, jusqu'à 158 °F (70 °C).
- Les consignes présentées dans ce manuel doivent être suivies à la lettre. Le non-respect de ces consignes peut causer un incendie, une décharge électrique, des dommages matériels, des blessures ou la mort.
- NE mettez JAMAIS de poids sur la porte du four. Ne laissez jamais personne grimper, s'asseoir, se tenir debout sur la porte ou s'y accrocher. Le four pourrait se renverser, et le contact avec des aliments chauds ou avec le four lui-même pourrait entraîner des blessures.
- NE bloquez PAS la grille de ventilation au bas du four. Cela pourrait endommager l'armoire et causer un mauvais fonctionnement du produit.

REMARQUE

- Veillez à ce que le four affleure la façade de l'enceinte.
- Un dysfonctionnement peut se produire si le four à vapeur n'est pas correctement aligné. Pour un fonctionnement correct du générateur de vapeur, veillez à ce que le four à vapeur soit à l'horizontale. (Sur certains modèles)

- Lors du montage dans une armoire encastrée, déterminez la profondeur de l'armoire encastrée de manière à ce que le décalage entre la face vitrée de la porte et la surface avant des côtés gauche et droit de l'armoire soit inférieur à 1/16 (1 mm).
- Retirez les serre-câbles avant d'installer le produit.

Informations sur l'installation

La première étape de l'installation consiste à mesurer les dimensions de la découpe actuelle et à les comparer aux dimensions de la découpe indiquées ci-dessous. Peu ou pas de travaux d'ébénisterie peuvent être nécessaires.

REMARQUE

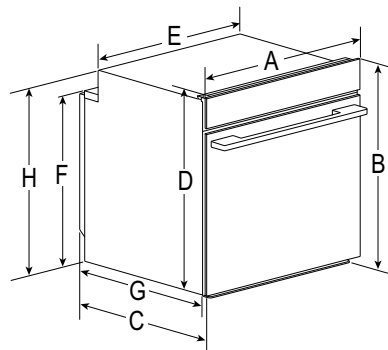
- Assurez-vous que la base est de niveau et que l'avant de l'armoire est d'équerre. Si la base du meuble n'est pas de niveau, les glissières du four auront tendance à glisser lors de l'ouverture de la porte.
- Pour soulever le four, utilisez les ouvertures situées sur le côté.
- N'installez pas de lave-vaisselle sous le four.
- Ne pas installer le produit sur le sol.

6 INSTALLATION

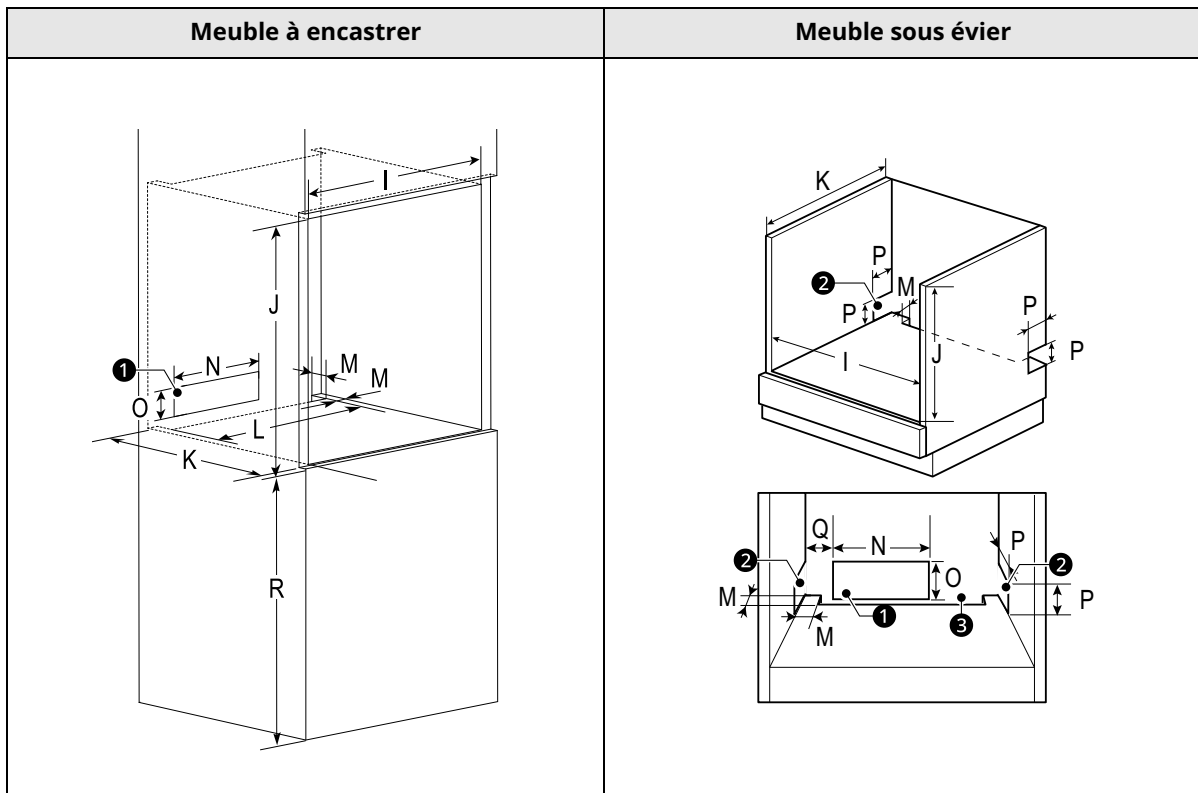
Dimensions et dégagements

Mesurez les dimensions de la découpe actuelle et comparez-les aux dimensions de la découpe indiquées ci-dessous. Il est possible que vous ayez très peu à faire pour préparer l'armoire, voire rien du tout. L'image peut différer du modèle réel.

Produit



Liste		Dimensions
A	Largeur	23 5/16 po (592 mm)
B	Hauteur	23 3/8 po (594 mm)
C	Profondeur	22 7/16 po (569 mm)
D	Hauteur (installation standard)	22 13/16 po (579 mm)
E	Largeur (arrière)	22 po (558 mm)
F	Hauteur (arrière)	19 13/16 po (503 mm)
G	Profondeur (arrière)	21 5/8 po (549 mm)
H	Chevauchement du four	22 11/16 po (576 mm)



① Arrière du meuble de cuisine

② Côté du meuble de cuisine

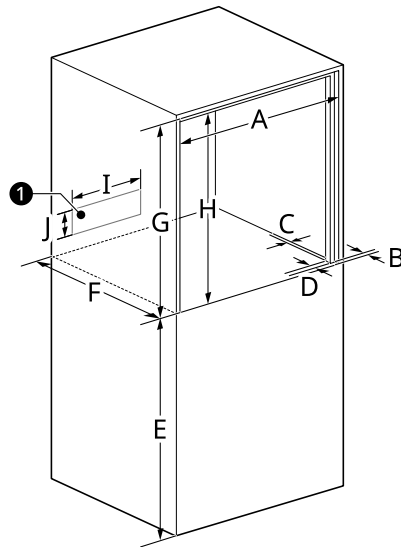
③ Espace de ventilation

Si vous le souhaitez, créez des ouvertures avec ① et ② pour permettre aux lignes électriques de passer à travers le meuble.

Liste		Dimensions	
		Meuble à encastrer	Meuble sous évier
I	Largeur de la découpe	22 1/16 po (560 mm) Min. 22 3/16 po (563 mm) Max.	22 1/16 po (560 mm) Min.
J	Hauteur de la découpe	23 1/4 po (590 mm) Min. 23 3/8 po (593 mm) Max.	23 5/8 po (600 mm) Min.
K	Profondeur de la découpe	21 15/16 po (556 mm) Min.	21 15/16 po (556 mm) Min.
L	Largeur (ventilation)	18 1/8 po (460 mm)	18 1/8 po (460 mm)
M	Distance (ventilation)	2 po (50 mm)	2 po (50 mm)
N	Largeur (arrière du meuble de cuisine)	12 5/8 po (320 mm)	12 5/8 po (320 mm)
O	Hauteur (arrière du meuble de cuisine)	2 3/4 po (70 mm)	4 3/4 po (120 mm)
P	Distance (côté du meuble de cuisine)	-	3 15/16 po (100 mm)
Q	Distance entre la paroi latérale et l'armoire	2 3/4 po (70 mm)	2 3/4 po (70 mm)
R	Emplacement de la découpe à partir du plancher	27 9/16 po (700 mm) (19 11/16" ~ 35 7/16") (500 ~ 900 mm)	-

8 INSTALLATION

Dimensions de la découpe (pour l'installation encastrée)



❶ Arrière du meuble de cuisine

Si vous le souhaitez, créez une ouverture avec ❶ pour permettre aux lignes électriques de passer à travers le meuble.

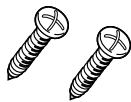
Liste		Dimensions
A	Largeur de la découpe	23 5/8 po (600 mm)
B	Retrait de la cale à partir du devant de l'armoire	13/16 po (20 mm)
C	Largeur de la cale	13/16 po (20 mm)
D	Profondeur de la cale	1 3/16 po (30 mm)
E	Partie inférieure de la découpe à partir du plancher	27 9/16 po (700 mm)
F	Profondeur de la découpe	22 7/8 po (580 mm)
G	Hauteur de la découpe	23 5/8 po (600 mm)
H	Hauteur de la cale (espaceur)	22 7/8 po (580 mm)
I	Largeur (arrière du meuble de cuisine)	12 5/8 po (320 mm)
J	Hauteur (arrière du meuble de cuisine)	2 13/16 po (70 mm)

Pièces / Outils

⚠ AVERTISSEMENT

- Les vis de fixation doivent être utilisées. Sinon, le four risque de tomber de l'armoire, ce qui pourrait causer des blessures graves.

Pièces fournies



①

- ① 3 X 26 2 Vis à bois pour le montage

Outils nécessaires



①

- ① Tournevis cruciforme

REMARQUE

- Respectez tous les règlements en vigueur.
- Demandez à l'installateur de vous montrer où se trouve le disjoncteur ou le fusible. Pour le repérer facilement, marquez-le.
- Assurez-vous que votre appareil est installé et mis à la terre correctement par un installateur ou un technicien qualifié.

10 INSTALLATION

Installation et test du four

Déballage et retrait des portes des fours

⚠ AVERTISSEMENT

- Gardez le matériel d'emballage hors de portée des enfants. Le matériel d'emballage pose un danger pour les enfants. Il y a un risque de suffocation.
- Au moins deux personnes sont nécessaires pour déplacer et installer l'appareil. (Danger lié au grand poids de l'appareil.) Le non-respect de cette directive peut causer des blessures au dos ou d'autres blessures.
- N'utilisez pas la poignée de la porte pour pousser ou tirer l'appareil pendant son installation ou lors de son déplacement pour le nettoyage ou l'entretien. Cela pourrait endommager gravement la porte de l'appareil.
- Afin de réduire les risques de brûlures, ne déplacez jamais cet appareil lorsqu'il est chaud.

REMARQUE

- Pour supprimer des résidus de ruban adhésif ou de colle, frottez vigoureusement la surface avec le pouce. Les résidus de ruban adhésif ou de colle peuvent également être enlevés en frottant une petite quantité de savon à vaisselle liquide sur l'adhésif avec les doigts. Essuyez avec de l'eau chaude, puis séchez.
- N'utilisez pas d'instruments tranchants, d'alcool à friction, de liquides inflammables ou de nettoyants abrasifs pour enlever du ruban adhésif ou de la colle. Ces produits peuvent endommager la surface de votre appareil.
- Il n'est pas nécessaire d'enlever la porte pour installer le four, mais cela facilitera l'installation.

Déballage des matériaux

Retirez tout matériau d'emballage du four avant d'installer ce dernier.

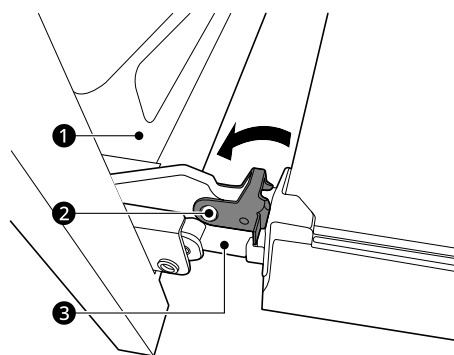
- 1 Enlevez tous les morceaux de ruban adhésif du four.
- 2 Ouvrez la porte du four et retirez les matériaux d'emballage et les grilles à l'intérieur du four.

Retrait de la porte du four

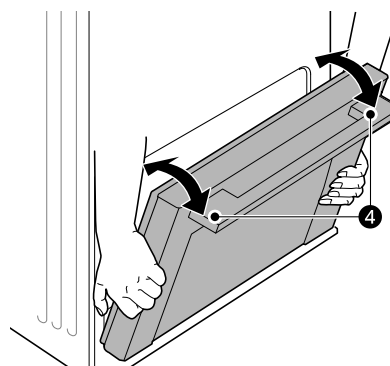
⚠ MISE EN GARDE

- Verrouillez complètement les charnières afin d'éviter d'endommager la cavité du four.

- 1 Ouvrez entièrement la porte.
- 2 Soulevez les verrous des charnières de la porte ② et basculez-les complètement vers le four ①.



- 3 Saisissez fermement les deux côtés de la porte par le haut.
- 4 Fermez la porte en position de retrait (environ 70 degrés ④). Si la position est correcte, les charnières ③ se déplacent librement.



- 5 Soulevez et tirez la porte vers vous jusqu'à ce que les bras de charnière soient complètement libres.

REMARQUE

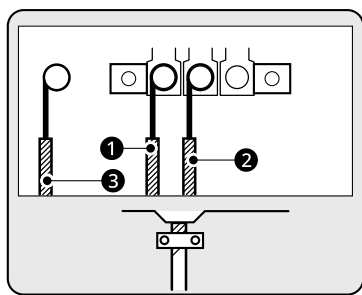
- Utilisez les deux mains pour retirer la porte du four.
- Ne soulevez pas la porte en la tenant par la poignée. La porte du four est très lourde. Saisissez fermement la porte par les côtés avant de la soulever des charnières.
- Ne posez pas la porte du four sur sa poignée. Cela pourrait la rayer ou faire des marques.

Raccordements électriques**Raccordement à 3 fils à l'alimentation électrique de la maison**

Le four doit être raccordé par un électricien agréé conformément à ces instructions et aux réglementations locales. Assurez-vous que la tension indiquée sur la plaque signalétique correspond à la tension d'alimentation de votre domicile.

Le four doit être raccordé à l'alimentation électrique au moyen d'un sectionneur omnipolaire avec un écart de contact minimum de 1/8" (3 mm) et doit être raccordé à une prise de courant mise à la terre conformément à la loi. La fiche d'alimentation doit être accessible après l'installation. Les composants du four fonctionnent à 240 V / 16 A. Identifiez la phase et le conducteur neutre dans la prise. Un branchement incorrect peut endommager le four.

Raccordez le four à l'alimentation électrique.

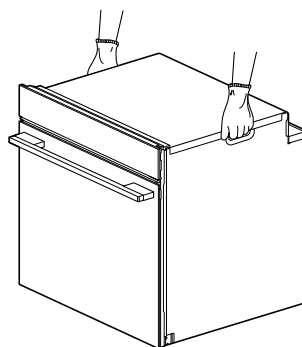


- ❶ L1 (Noir)
- ❷ L2 (rouge)
- ❸ Terre (vert)

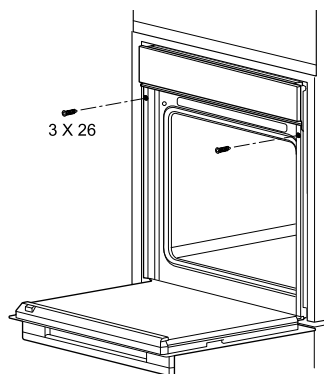
Installation du four et assemblage des portes de four**Installation du four**

Installez le four dans l'armoire comme suit :

- 1 Faites preuve de prudence lorsque vous soulevez le four et portez des gants pour protéger vos mains de tout bord tranchant.
- 2 Soulevez le four à deux ou plusieurs personnes à l'aide des poignées situées sur les côtés du four.

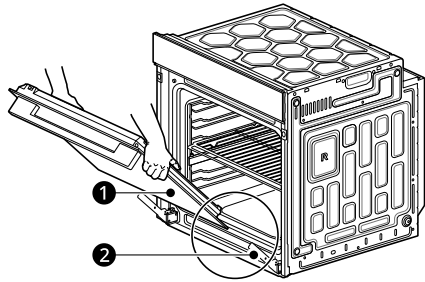


- 3 Fixez le four dans l'enceinte à l'aide de vis.

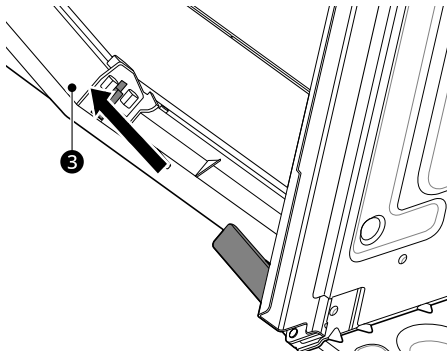
**Assemblage des portes de four**

- 1 Saisissez fermement les deux côtés de la porte ❶ près de la partie supérieure.

12 INSTALLATION

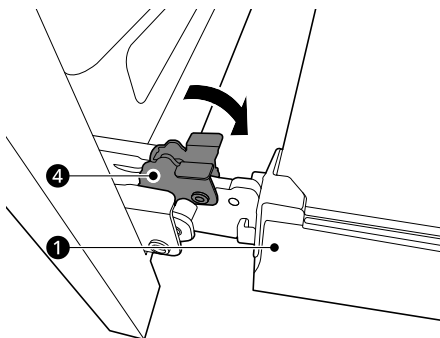


- 2** Insérez complètement les charnières **2** dans les fentes **3**.



- 3** Ouvrez lentement et complètement la porte. Assurez-vous que les charnières **2** sont correctement engagées dans les fentes **3**.

- 4** Soulevez les verrous **4** des charnières de la porte et faites-les basculer vers la porte du four **1** jusqu'à ce qu'ils s'enclenchent.

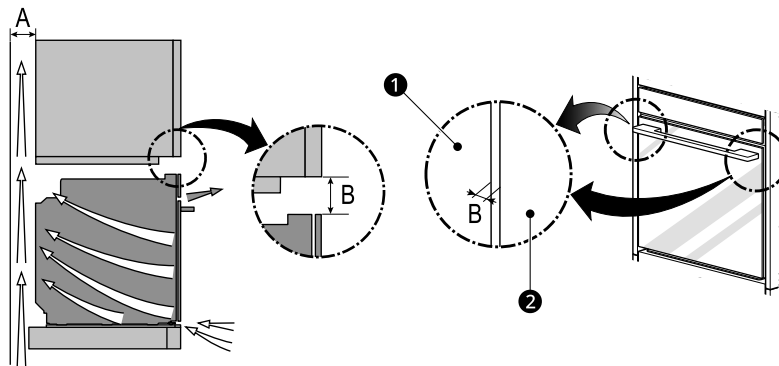


- 5** Fermez la porte du four.

Ventilation

Pour la ventilation

Pour une ventilation correcte, une ouverture de ventilation de 50 mm (2") est nécessaire entre la paroi arrière et le plancher de l'armoire d'installation, une fente de ventilation de 5 mm (3/16") est nécessaire entre le bord supérieur du four et le bas de la face avant de l'armoire, ainsi qu'entre les deux côtés du four et les côtés de l'armoire. Ces ouvertures ne doivent en aucun cas être obstruées. Veillez à ce que les côtés de l'enceinte ne touchent pas les bords avant du boîtier du four.



- ❶ Four
- ❷ Fermez le meuble de cuisine ou l'appareil.

Liste		Dimensions
A	Fente de ventilation	2 po (50 mm)
B	Espace entre les murs	3/16 po (5 mm)

Vérification du four avant son utilisation

Chacune des fonctions a été vérifiée en usine avant l'expédition. Toutefois, il est suggéré de vérifier le fonctionnement du four une fois de plus. Consultez le manuel d'utilisation et suivez les instructions pour la vérification de base.

REMARQUE

- Selon le modèle, certaines des fonctions suivantes pourraient ne pas être offertes.

- 1 Mettez l'appareil sous tension.
 - Le signal sonore de démarrage se fait entendre et une animation de démarrage ou l'horloge apparaît sur l'écran.
- 2 Vérifiez le fonctionnement du mode **Cuisson par convection** ou **Conv. Bake**.

- 3 Vérifier le fonctionnement du mode **Broil (Grillage)**.

- 4 Allumez et éteignez l'éclairage du four pour vérifier qu'il fonctionne correctement.

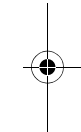
REMARQUE

- Une petite quantité de fumée et une certaine odeur peuvent être perceptibles lors des premières utilisations.
- Si le four ne fonctionne pas correctement, consultez le manuel d'utilisation pour obtenir une liste de dépannage. La liste comprend des cas courants qui ne sont pas dus à des défauts de fabrication ou de matériaux de ce produit. Si le problème persiste, contactez le revendeur.
- Reportez-vous à la garantie qui se trouve dans le manuel d'utilisation pour connaître le numéro sans frais du service à la clientèle et l'adresse de LG.

14 INSTALLATION

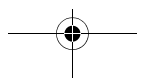
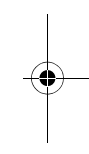
REMARQUE

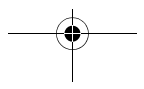
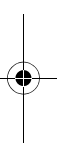
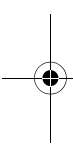
- Ce manuel peut contenir des images ou un contenu différent du modèle que vous avez acheté.
-





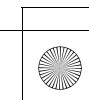
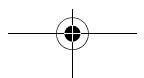
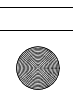
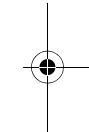
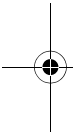
16 AIDE-MÉMOIRE

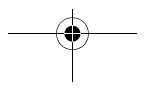
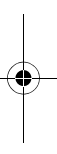
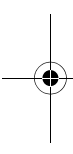






18 AIDE-MÉMOIRE







LG Customer Information Center

For inquiries or comments,
visit www.lg.com or call:

1-800-243-0000

U.S.A.

1-888-542-2623

CANADA

Register your product Online!

www.lg.com