



19 cu. ft. Top-Freezer Refrigerator

WRT549SZD



Monochromatic Stainless Steel
WRT549SZDM

Also available in:



White

WRT549SZDW



Black

WRT549SZDB

Capacity

Total Capacity	19 cu. ft.
Refrigerator Capacity	14 cu. ft.
Freezer Capacity	5 cu. ft.

General Features & Properties

Clear Door Bins
EZ Connect Icemaker Kit
LED Interior Lighting
Electronic Temperature Controls
Freezer Temperature Controls
Adjustable Door Bins
ADA Compliant

#1 Selling Appliance Brand in the U.S.A.*

Electrical Details

Amps	6.5
Volts	115

Certifications

ADA Compliant	Yes
ENERGY STAR® Certified	Yes

Technical Details

Refrigerator Type	Top-Freezer
Number of Doors	2
Number of Interior Refrigerator Shelves	3
Number of Refrigerator Door Bins	1 Fixed, 4 Adjustable
Number of Interior Freezer Shelves	1
Number of Freezer Door Bins	2 Fixed
Lighting Type	LED
Ice Maker	Optional
Ice Maker Location	Freezer
Dispenser Type	N/A

Dimensions

Product Dimensions (H x W x D)	65-7/8" x 29-3/4" x 34-1/2"
Depth with Door Open 90°	59-7/8"
Cutout Dimensions	Allow extra 1/2" on sides and top Allow extra 1" on rear

Reference Material

[Dimension Guide](#)

[Use & Care Guide](#)

[Energy Guide](#)

[Warranty](#)

Key Features & Benefits

Flexi-Slide™ Bin

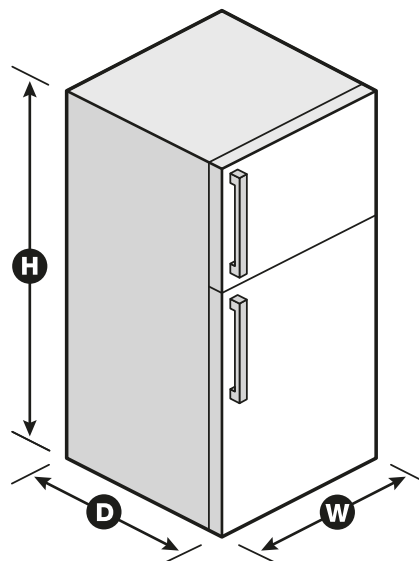
Make space for tall items with the bin that quickly and easily moves side to side.

Quiet Cooling

Keep noise down in the kitchen with quiet cooling.

ENERGY STAR® Certified

ENERGY STAR® certified models help save money on your utility bills.



*Based on 12-month average of unit sales. Refrigeration, Cooking, Dishwashers and Laundry appliances. TraQline 2018. NOTE: Dimensions are for planning purposes only. For complete details, see Installation Instructions packed with product. Specifications subject to change without notice. ©/™ © 2020. All rights reserved. Printed in the U.S.A. D200052XXC. WRT549SZDSPECSHEETV01.