



22 cu. ft. Side-by-Side Refrigerator

WRS312SNH



Monochromatic Stainless Steel
WRS312SNHM

Capacity

| | |
|-----------------------|------------|
| Total Capacity | 22 cu. ft. |
| Refrigerator Capacity | 15 cu. ft. |
| Freezer Capacity | 7 cu. ft. |

General Features & Properties

| |
|---|
| Electronic Temperature Controls |
| Optional Icemaker |
| Frameless Glass Shelves |
| Adaptive Defrost |
| Humidity-Controlled Crispers |
| #1 Selling Appliance Brand in the U.S.A.* |

Electrical Details

| | |
|-------|-----|
| Amps | 7.2 |
| Volts | 110 |

Technical Details

| | |
|---|-----------------------|
| Refrigerator Type | Side-by-Side |
| Number of Doors | 2 |
| Number of Interior Refrigerator Shelves | 4 |
| Number of Refrigerator Door Bins | 2 Fixed, 3 Adjustable |
| Number of Interior Freezer Shelves | 4 |
| Number of Freezer Door Bins | 4 Fixed |
| Lighting Type | LED |
| Ice Maker | Optional |
| Ice Maker Location | Freezer |
| Dispenser Type | No Dispenser |

Dimensions

| | |
|--------------------------------|---|
| Product Dimensions (H x W x D) | 66-5/8" x 32-3/4" x 33-5/8" |
| Depth with Door Open 90° | 49-5/16" |
| Cutout Dimensions | Allow extra 1/2" on sides and top Allow extra 1" on rear |

Also available in:

- White **WRS312SNHW**
- Black **WRS312SNHB**

Key Features & Benefits

Adjustable Gallon Door Bins

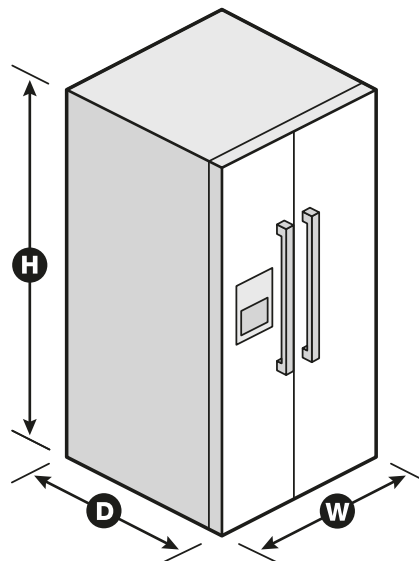
Move these adjustable bins anywhere in the door for increased loading flexibility when and where you need it.

LED Interior Lighting

Keep food looking as good as it tastes. Light is cast inside the refrigerator so food looks like it's supposed to.

Hidden Hinges

Get a seamless look with door hinges that stay out of sight.



Reference Material

[Dimension Guide](#)

[Install Guide](#)

[Energy Guide](#)

[Warranty](#)

*Based on 12-month average of unit sales. Refrigeration, Cooking, Dishwashers and Laundry appliances. TraQline 2018. NOTE: Dimensions are for planning purposes only. For complete details, see Installation Instructions packed with product. Specifications subject to change without notice. ©/™ © 2020. All rights reserved. Printed in the U.S.A. D200052XXC. WRS312SNHSPECSHEETV01.