

Whirlpool

WRQA59CNKZ



W11409844B
810F950001034

In order to receive a more complete assistance, please register your product on www.whirlpool.com.

Pour obtenir plus d'aide, enregistrer le produit au www.whirlpool.com.

Para recibir asistencia más completa, registre su producto en www.whirlpool.com.

English..... REFRIGERATOR USER INSTRUCTIONS..... 3
Français canadien..... INSTRUCTIONS D’UTILISATION DU RÉFRIGÉRATEUR 21
Español Latinoamericano INSTRUCCIONES PARA EL USUARIO DEL REFRIGERADOR .. 39



FRENCH DOOR BOTTOM MOUNT REFRIGERATOR OWNER'S MANUAL

Table of Contents

REFRIGERATOR SAFETY	4
Proper Disposal of Your Old Refrigerator	5
INSTALLATION INSTRUCTIONS	6
Getting Started.....	6
Unpack the Refrigerator	6
Location Requirements.....	7
Electrical Requirements.....	7
Remove and Replace Refrigerator Doors	8
Remove and Replace Freeze Door.....	10
Refrigerator Levelling	11
Water Supply Requirements.....	11
Connect the Water Supply.....	11
REFRIGERATOR USE	13
Using the Controls	13
Lighting the Refrigerator	14
Opening and Closing Doors	15
Shelves, Bins and Drawers.....	16
Freezer Storage Compartments	17
Audio Reference	18
REFRIGERATOR CARE	19
Cleaning	19
Lights.....	19
Moving Care.....	19

REFRIGERATOR SAFETY

Your safety and the safety of others are very important.

We have provided many important safety messages in this manual and on your appliance. Always read and obey all safety messages.



This is the safety alert symbol.

This symbol alerts you to potential hazards that can kill or hurt you and others.

All safety messages will follow the safety alert symbol and either the word "DANGER" or "WARNING." These words mean:

⚠ DANGER

You can be killed or seriously injured if you don't immediately follow instructions.

⚠ WARNING

You can be killed or seriously injured if you don't follow instructions.

All safety messages will tell you what the potential hazard is, tell you how to reduce the chance of injury, and tell you what can happen if the instructions are not followed.

IMPORTANT SAFETY INSTRUCTIONS

WARNING: To reduce the risk of fire, electric shock, or injury when using your refrigerator, follow these basic precautions:

- Plug into a grounded (earthed) outlet.
- Do not remove ground prong.
- Do not use an adapter.
- Do not use an extension cord.
- Disconnect power before servicing.
- Replace all parts and panels before operating.
- Remove doors from your old refrigerator.
- Use nonflammable cleaner.
- Do not store or use petrol, flammable liquids or gas in the vicinity of this or other electrical appliances. The fumes can cause fires or explosions.
- Do not store explosive substances such as aerosol cans with a flammable propellant in this refrigerator.
- Do not use or place electrical devices inside the refrigerator compartments if they are not of the type expressly authorized by the manufacture.
- Use two or more people to move and install refrigerator.
- Disconnect power before installing ice maker (on ice maker kit ready models only).
- Keep ventilation openings, in the appliance enclosure or in the build-in structure, clear of obstruction.
- Do not use mechanical devices or other means to accelerate the defrosting process, other than those recommended by the manufacturer.
- Do not damage the refrigerant circuit.
- Do not use electrical appliances inside the food storage compartments of the appliance, unless they are of the type recommended by the manufacturer.
- A qualified service technician must install the water line and ice maker. See installation instructions supplied with ice maker kit IC15B for complete details.
- Connect to a potable water supply only.
- Use a sturdy glass when dispensing ice (on some models).
- This appliance is not intended for use by persons (including children) with reduced physical, sensory or mental capabilities, or lack of experience and knowledge, unless they have been given supervision or instruction concerning use of the appliance by a person responsible for their safety.
- Children should be supervised to ensure that they do not play with the appliance.
- To avoid the risk of children becoming trapped and suffocating, do not allow them to play or hide inside the refrigerator.
- If the power supply cord is damaged, it must be replaced by the manufacturer or its service agent or a similarly qualified person.
- This appliance is intended to be used in household and similar applications such as:
 - Staff kitchen areas in shops, offices and other working environments.
 - Farm houses and by clients in hotels, motels and other residential type environments.
 - Bed and breakfast type environments;
 - Catering and similar non-retail applications.

SAVE THESE INSTRUCTIONS

Proper Disposal of Your Old Refrigerator

DANGER : Risk of child entrapment. Before you throw away your old refrigerator or freezer:

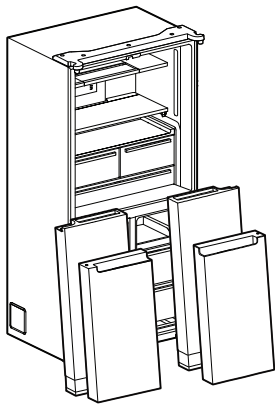
- Take off the doors.
- Leave the shelves in place so that children cannot easily climb inside.

⚠ WARNING

Suffocation Hazard

Remove doors from your old refrigerator.

Failure to do so can result in death or brain damage.



IMPORTANT: Child entrapment and suffocation are not problems of the past. Scrapped or abandoned refrigerators are still dangerous—even if they will sit for “just a few days.” If you are getting rid of your old refrigerator, please follow these instructions to help avoid accidents.

Important information to know about disposal of refrigerants:

Dispose of refrigerator in accordance with Federal and Local regulations. Refrigerants must be evacuated by a licensed, EPA certified refrigerant technician in accordance with established procedures.

INSTALLATION INSTRUCTIONS

Getting Started

INSTALLATION CHECKLIST

✓ Electrical Power

⚠ WARNING



Electrical Shock Hazard

Plug into a grounded 3 prong outlet.

Do not remove ground prong.

Do not use an adapter.

Do not use an extension cord.

Failure to follow these instructions can result in death, fire, or electrical shock.

- Plug refrigerator into a earthed socket.

✓ Doors

- If doors need to be removed during installation, see the “Remove and Replace Refrigerator Doors” and “Remove and Replace Freezer Door Fronts” sections.
- Doors seal completely.
- Refrigerator is level. Adjust leveling feet so they are snug against the floor.
- Doors are even across the top. (Use door alignment feature if necessary).

✓ Final Checks

- Remove all shipping material.
- Set temperature controls to the recommended setting.
- Save instructions and other literature.

In order to receive a more complete assistance, please register your product on www.whirlpool.com.

Unpack the Refrigerator

⚠ WARNING

Excessive Weight Hazard

Use two or more people to move and install refrigerator.

Failure to do so can result in back or other injury.

Refrigerator Delivery

A minimum door opening of 838 mm (33") is required. If door opening is 914 mm (36") or less, then removal of doors, drawer and hinges is required.

Cart the refrigerator from the side for all door openings.

When Moving Your Refrigerator:

Your refrigerator is heavy. When moving the refrigerator for cleaning or service, be sure to cover the floor with cardboard or hardboard to avoid floor damage. Always pull the refrigerator straight out when moving it. Do not wiggle or “walk” the refrigerator when trying to move it, as floor damage could occur.

Remove the Packaging

- Remove tape and glue residues from surfaces before turning on the refrigerator. Rub a small amount of liquid dish detergent over the adhesive with your fingers. Wipe with warm water and dry.
- Do not use sharp instruments, rubbing alcohol, flammable fluids, or abrasive cleaners to remove tape or glue. These products can damage the surface of your refrigerator.
- Dispose of/recycle all packaging materials.

Clean Before Using

After you remove all of the packaging materials, clean inside of your refrigerator before using it. See cleaning instructions in the “Refrigerator Care” section.

Important information to know about glass shelves and covers:

Do not clean glass shelves or covers with warm water when they are cold. Shelves and covers may break if exposed to sudden temperature changes or impact, such as bumping. Tempered glass is designed to shatter into many small, pebble-size pieces. This is normal. Glass shelves and covers are heavy. Use both hands when removing them to avoid dropping.

Location Requirements

⚠ WARNING



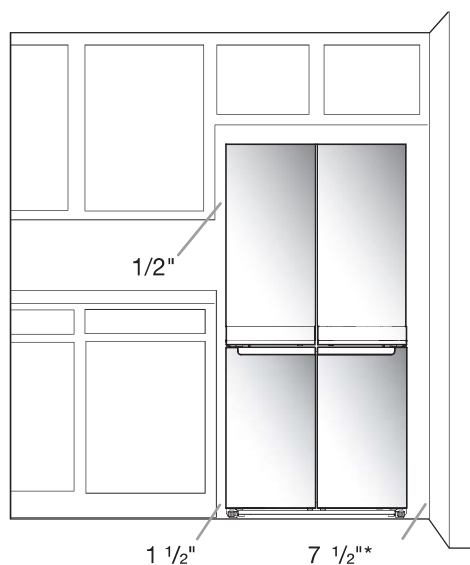
Explosion Hazard

Keep flammable materials and vapors, such as gasoline, away from refrigerator.

Failure to do so can result in death, explosion, or fire.

To ensure proper ventilation for your refrigerator, allow for a 1/2" space on each side and at the top. Allow for a 1.97" space behind the refrigerator. If your refrigerator has an ice maker, allow extra space at the back for the water line connections. When installing your refrigerator next to a fixed wall, leave a 3.74" minimum space between the refrigerator and wall to allow the door to swing open.

NOTE: This refrigerator is intended for use in a location where the temperature ranges from a minimum of 50°F (10°C) to a maximum of 110°F (43°C). The preferred room temperature range for optimum performance, which reduces electricity usage and provides superior cooling, is between 60°F (15°C) and 90°F (32°C). It is recommended that you do not install the refrigerator near a heat source, such as an oven or radiator.



*Space from a side wall required to open the door at 118° and open the drawers and trays inside the bottom compartments.

Electrical Requirements

⚠ WARNING



Electrical Shock Hazard

Plug into a grounded 3 prong outlet.

Do not remove ground prong.

Do not use an adapter.

Do not use an extension cord.

Failure to follow these instructions can result in death, fire, or electrical shock.

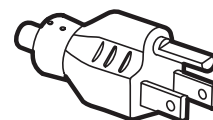
IMPORTANT: Installation and electrical connection must be carried out by a qualified technician according to the manufacturer's instructions and in compliance with the local safety regulations.

- The refrigerator is designed to operate on a separate 115 V, 60 Hz, 15 A or 20 A fused, grounded electrical supply.
- Make sure the voltage specified on the rating plate corresponds to that of your home.
- It must be possible to disconnect the appliance from the power supply by unplugging it or by means of a main two pole switch installed upstream of the socket.
- If the supply cord is damaged, it must be replaced by the manufacturer, its service agent or similarly qualified persons in order to avoid a hazard.

Before you move your refrigerator into its final location, it is important to make sure you have the proper electrical connection:

Recommended Earthing Method

A 115 V, 60 Hz, AC only 15 A or 20 A fused, grounded electrical supply is required.



NOTE: It is recommended that a separate circuit serving only your refrigerator and approved accessories be provided. Use an outlet that cannot be turned off by a switch. Do not use an extension cord.

Remove and Replace Refrigerator Doors

NOTE: Measure the width of your door opening to see whether or not you need to remove refrigerator doors to move refrigerator into your home. If door removal is necessary, see the following instructions.

IMPORTANT: If refrigerator was previously installed and you are moving it out of the home, turn refrigerator control off before you begin removing the doors. Unplug refrigerator or disconnect power. Remove food and adjustable door or utility bins from doors.

Gather required tools and read all instructions before removing doors.

TOOLS NEEDED: 6 mm socket wrench, 5 mm socket wrench and #2 Phillips screwdriver.



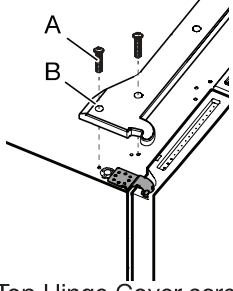
⚠ WARNING

Electrical Shock Hazard

Disconnect power before removing doors.

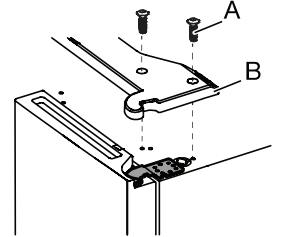
Failure to do so can result in death or electrical shock.

Top Left Hinge Cover



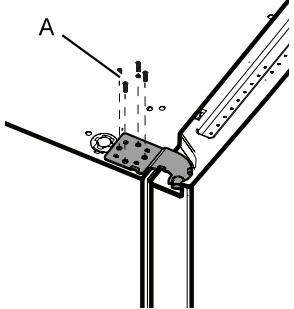
A. Top Hinge Cover screws
B. Top Hinge Cover

Top Right Hinge Cover



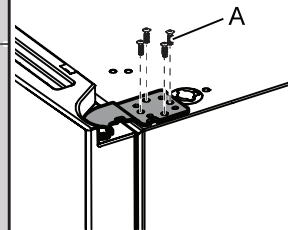
A. Top Hinge Cover screws
B. Top Hinge Cover

Top Left Hinge



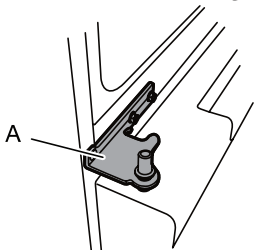
A. 5 mm socket screws

Top Right Hinge



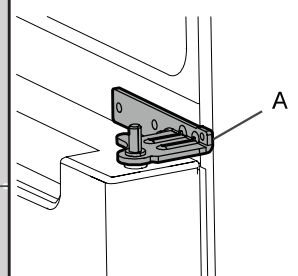
A. 5 mm socket screws

Middle Left Hinge



A. Hinge

Middle Right Hinge



A. Hinge

⚠ WARNING

Excessive Weight Hazard

Use two or more people to move and install refrigerator.

Failure to do so can result in back or other injury.

Remove Refrigerator Doors

⚠ WARNING



Electrical Shock Hazard

Disconnect power before removing doors.

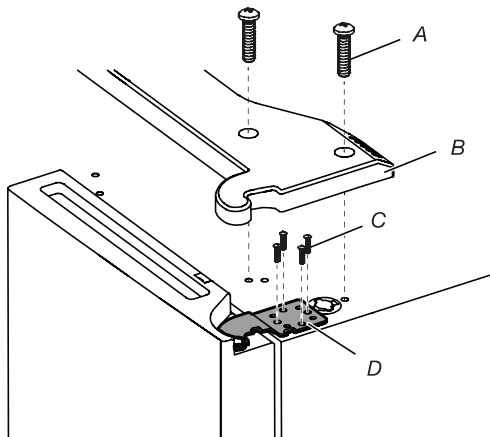
Failure to do so can result in death or electrical shock.

Remove Right-Hand Door

1. Unplug refrigerator or disconnect power.
2. Keep refrigerator doors closed until you are ready to lift them free from the cabinet.

NOTE: Provide additional support for refrigerator door while the hinges are being removed. Do not depend on the door gasket magnets to hold the door in place while you are working.

3. Using a Phillips screwdriver, remove cover from top hinge.
4. Using 5 mm socket wrench, remove four screws from top hinge and set aside.



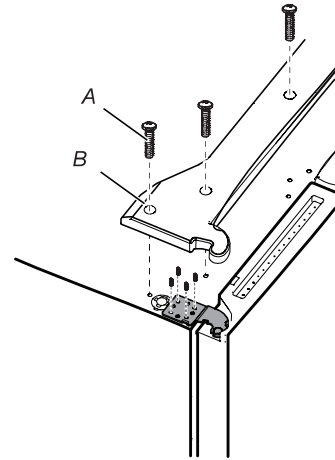
A. Top hinge cover screw
B. Top hinge cover
C. 5 mm socket screws
D. Top hinge

5. Lift refrigerator door from the middle hinge pin. The top hinge will come away with the door.

Remove Left-Hand Door

IMPORTANT: The wiring for UI run through left-hand door hinge, so they must be disconnected before removing the door.

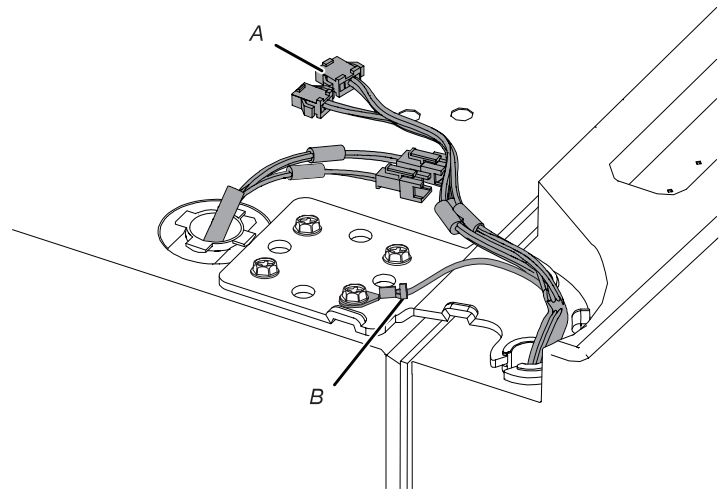
1. Using a Phillips screwdriver, remove cover from top hinge.



A. Top hinge cover screw
B. Top hinge cover

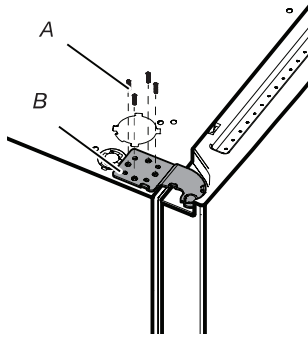
2. Disconnect two wiring plugs located on top of the door hinge.

- Grasp each side of wiring plugs. With your left thumb, press down to release the catch and pull the sections of the plugs apart.



A. Wiring Plug
B. Ground (earth) connector

- Using 5 mm socket wrench, remove four internal screws from top hinge and set aside.



A. 5 mm socket screws
B. Top Hinge

NOTE: Provide additional support for refrigerator door while hinges are being removed. Do not depend on the door gasket magnets to hold the door in place while you are working.

- Lift refrigerator door from bottom hinge pin. The top hinge will come away with door.

NOTE: It may not be necessary to remove bottom hinges and brake feet assemblies to move the refrigerator through a doorway.

- Only if necessary, use 6 mm socket wrench and #2 Phillips screwdriver to remove middle hinge.

Replace Right-Hand Refrigerator Door

- Set right-hand door onto middle hinge pin.
- Insert top hinge pin into open hole in top of refrigerator door.
- Using four 5 mm socket screws, fasten hinge to cabinet. Do not tighten screws completely.

Replace Left-Hand Refrigerator Door

- Set left-hand door onto middle hinge pin.
- Using four 5 mm socket screws, fasten hinge to cabinet. Do not tighten screws completely.
- Reconnect electrical wiring.
 - Push together two sections of wiring plug.
 - Reconnect earth wire to hinge screw.

Final Steps

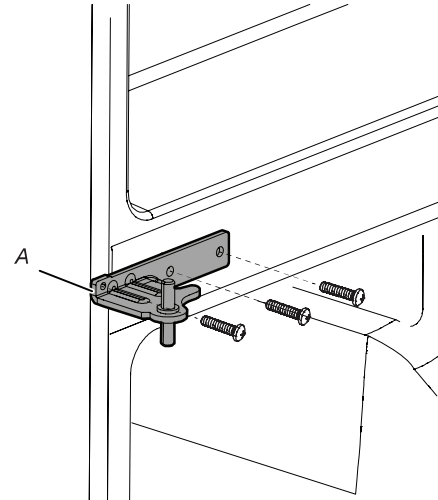
- Completely tighten eight 5 mm socket screws.
- Replace top hinge covers.

Remove and Replace Freezer Door

- Keep freezer doors closed until you are ready to lift them free from cabinet.

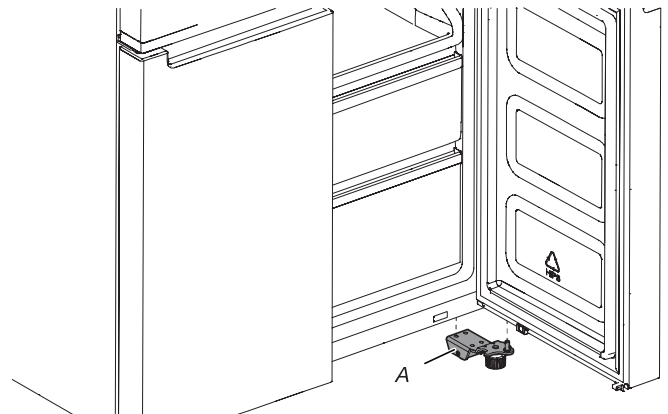
NOTE: Provide additional support for freezer door while hinges are being removed. Do not depend on door gasket magnets to hold door in place while you are working.

- Using a #2 Phillips screwdriver and 6 mm socket wrench to remove middle hinge from cabinet.



A. Middle hinge

- Lift freezer door from the bottom hinge pin.



A. Bottom hinge

Final Steps

⚠ WARNING



Electrical Shock Hazard

Plug into a grounded 3 prong outlet.

Do not remove ground prong.

Do not use an adapter.

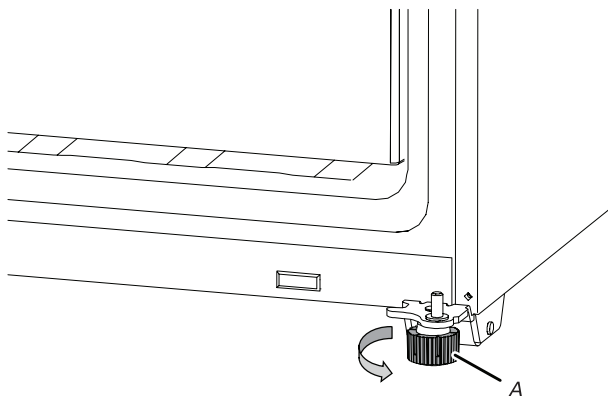
Do not use an extension cord.

Failure to follow these instructions can result in death, fire, or electrical shock.

1. Plug into an grounded (earthed) socket.
2. Return all removable parts and food to the drawers.

Refrigerator Levelling

1. Move refrigerator to its final location.
2. Using hand, rotate the brake feet. Turn them counterclockwise until the rollers are off the floor and both brake feet are snug against the floor. This keeps refrigerator from rolling forward when opening the doors.



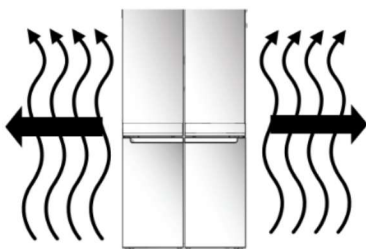
A. Brake feet

IMPORTANT: If you need to make further adjustments involving brake feet, you must turn both brake feet same amount to keep the refrigerator level.

3. Use a level to make sure refrigerator is level from side to side and front to back.

Information about heated side surfaces

- The heat felt on the left and right sides of the cabinet is normal for this cooling technology.



Water Supply Requirements

A cold water supply with water pressure between 20 psi and 145 psi (1.4 bar and 10 bar) is required to operate the water dispenser and ice maker. If you have questions about your water pressure, call a licensed, qualified plumber.

NOTE: If the water pressure is less than what is required, the flow of water from the water dispenser could decrease or ice cubes could be hollow or irregular shaped.

Reverse Osmosis Water Supply

IMPORTANT: The pressure of the water supply coming out of a reverse osmosis system and supplying the water inlet valve of the refrigerator needs to be between 20 psi and 145 psi (1.4 bar and 10 bar).

If a reverse osmosis water filtration system is connected to your home cold water supply, the water pressure to the reverse osmosis system needs to be a minimum of 40 psi to 60 psi (276 kPa to 414 kPa).

- Check to see whether the sediment filter in the reverse osmosis system is blocked. Replace the filter if necessary.
- Allow the storage tank on the reverse osmosis system to refill after heavy use. The tank capacity could be too small to keep up with the requirements of the refrigerator.
NOTE: Faucet-mounted reverse osmosis systems are not recommended.
- If your refrigerator has a water filter, it may further reduce the water pressure when used in conjunction with a reverse osmosis system. Remove the water filter. See the "Water Filtration System" section.

If you have questions about your water pressure, call a licensed, qualified plumber.

Connect the Water Supply

Read all directions before you begin.

IMPORTANT:

- Connect to potable water supply only.

Do not use with water that is microbiologically unsafe or of unknown quality without adequate disinfection before or after the system. Systems certified for cyst reduction may be used on disinfected waters that may contain filterable cysts.

- Plumbing must be installed in accordance with the International Plumbing Code and any local codes and ordinances.
- Copper and PEX tubing connections from the household water line to the refrigerator are acceptable and will help avoid off-taste or odor in your ice or water. Check for leaks. If PEX tubing is used instead of copper, we recommend the following: 7 ft (2.14 m) jacketed PEX, 5 ft (1.52 m) PEX, or 25 ft (7.62 m) PEX.
- Install tubing only in areas where temperatures will remain above freezing.

Tools Needed:

Gather the required tools and parts before starting installation.

- Flat-blade screwdriver
- 7/16" and 1/2" open-end wrenches or 2 adjustable wrenches
- 1/4" nut driver

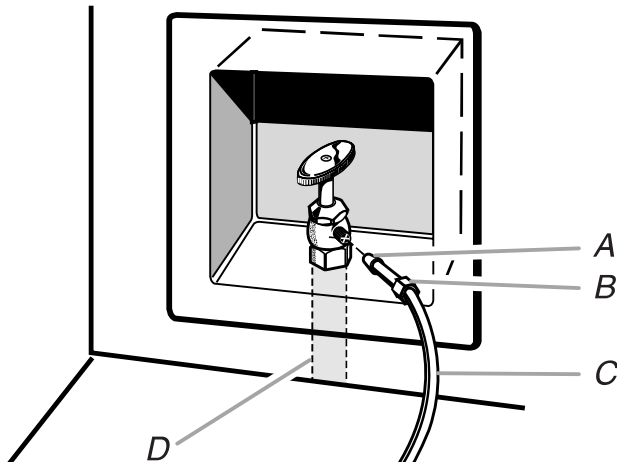
NOTE: Do not use a piercing-type or 3/16" (4.76 mm) saddle valve, which reduces water flow and clogs easier.

Connect to Water Line

IMPORTANT: If you have turned the refrigerator on before the water was connected, turn off the ice maker.

1. Unplug refrigerator or disconnect power.
2. Turn off main water supply. Turn on nearest faucet long enough to reduce water pressure in the water line.
3. Use a quarter-turn shut-off valve or the equivalent, served by a 1/2" household supply line.

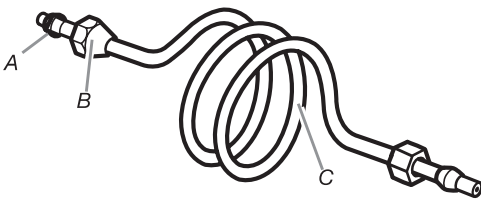
NOTE: To allow sufficient water flow to the refrigerator, a minimum 1/2" (12.7 mm) size household supply line is recommended.



A. Sleeve
B. Nut
C. Copper tubing (to refrigerator)
D. Household supply line (1/2" minimum)

4. Now you are ready to connect the copper tubing to the shut-off valve. Use 1/4" (6.35 mm) O.D. (outside diameter) soft copper tubing to connect the shut-off valve and the refrigerator.

- Ensure that you have the proper length needed for the job. Be sure both ends of the copper tubing are cut square.
- Slip compression sleeve and compression nut onto copper tubing as shown. Insert end of tubing into outlet end squarely as far as it will go. Screw compression nut onto outlet end with adjustable wrench. Do not overtighten.



A. Compression sleeve
B. Compression nut
C. Copper tubing

5. Place the free end of the tubing into a container or sink and turn on main water supply to flush out tubing until water is clear. Turn off shut-off valve on the water pipe.

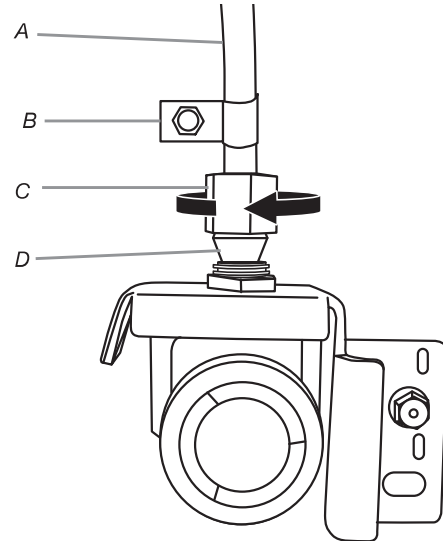
NOTE: Always drain the water line before making the final connection to the inlet of the water valve to avoid possible water valve malfunction.

6. Bend the copper tubing to meet the water line inlet, located on the back of the refrigerator cabinet as shown. Leave a coil of copper tubing to allow the refrigerator to be pulled out of the cabinet or away from the wall for service.

Connect to Refrigerator

Follow the connection instructions specific to your model.

1. Remove plastic cap from water valve inlet port. Attach the copper tubing to the valve inlet using a compression nut and sleeve as shown. Tighten the compression nut. Do not overtighten. Confirm copper tubing is secure by pulling on copper tubing.
2. Create a service loop with the copper tubing. Avoid kinks when coiling the copper tubing. Secure copper tubing to refrigerator cabinet with a "P" clamp.



A. Copper tubing
B. "P" clamp
C. Compression nut
D. Compression sleeve

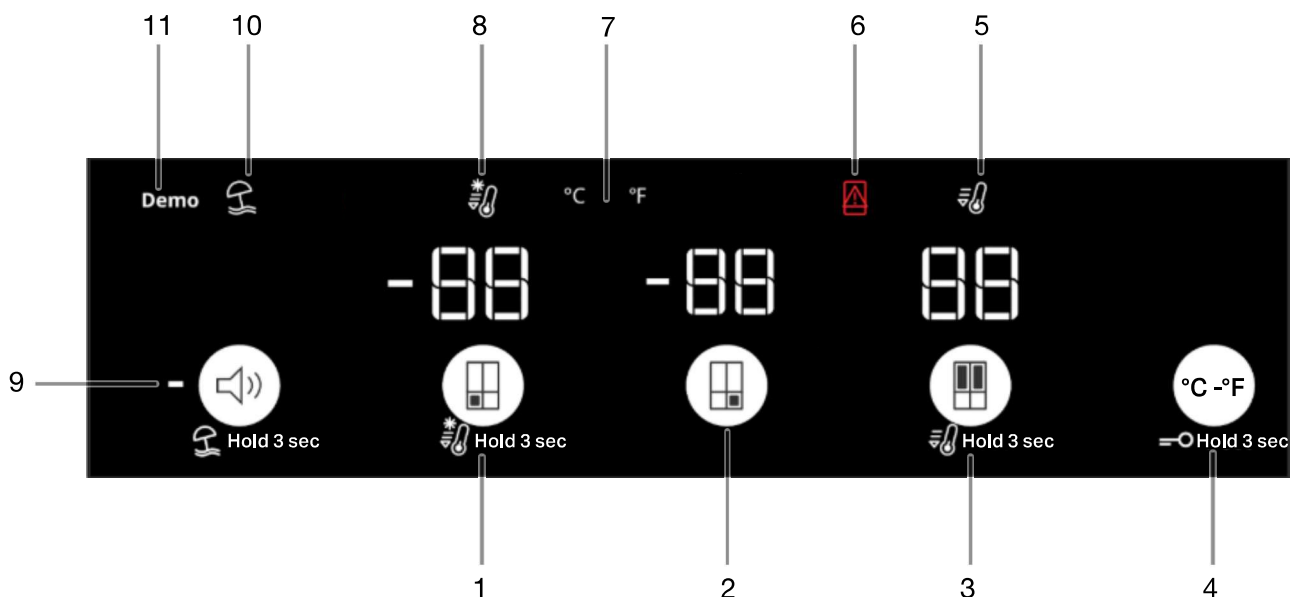
3. Turn on water supply to refrigerator and check for leaks. Correct any leaks.
4. If ice is desired, turn on the ice maker.

Note: Allow 24 hours to produce the first batch of ice. Discard the first three batches of ice produced. Allow three days to completely fill the ice storage bin.

REFRIGERATOR USE

Using the Controls

The touch-activated controls are located on the left hand refrigerator door. The control panel includes information about various buttons and indicators. Refrigerator and freezer temperature indicator shows last temperature set point.



- Freezer Compartment BUTTON and INDICATOR (Hold 3 seconds to toggle Fast Freeze)
- Multi Temp Compartment BUTTON & INDICATOR
- Refrigerator Compartment BUTTON and INDICATOR (Hold 3 seconds to toggle Fast Cool)
- Lock and Celsius/Fahrenheit BUTTON (Hold 3 seconds to toggle)

- Fast Cool BUTTON and INDICATOR
- Door Open Indicator
- Celsius/Fahrenheit INDICATOR
- Fast Freeze Button and INDICATOR
- Sound Off BUTTON and INDICATOR
- Vacation Mode INDICATOR
- Demo Mode INDICATOR

The Control Panel will automatically turn off after one minute of inactivity. To turn on the control panel, press any key.


Freezer Settings

Function	Temperature
Traditional freezer	0°F, 1°F, 3°F, 5°F
Deep freeze	-2°F, -4°F, -6°F, -8°F

- 88 Multi Temp Compartment Setting

Multi Temp Compartment function allows you to toggle preset temperature for Multi Temp Compartment.

Function	Temperature
Traditional freezer	0°F, -2°F, -4°F
Mild freezer	10°F
Soft freezer	19°F

* To activate/deactivate Coolest setting (-20°C), press Multi Temp Compartment Preset Temperature Button  for 3 seconds. When the Coolest setting is activated, all three icons will be lit.

Adjusting Multi Temperature Setting

- Unlock the user interface. See "Key Lock" item for details.
- Traditional freezer (0°F): Food already frozen and fresh food
- Mild freezer (10°F): Food already frozen
- Soft freezer (19°F): Food already frozen

- When Multi Temp Freezer set to 0°F or -4°F, both Multi Temp Freezer temperature and Freezer temperature would be cooled down to the colder setting whichever Freezer or Multi Temp Freezer has.
- Multi Temp Freezer compartment temperature might not be able to reach 20°F when the ambient temperature is around 50°F or colder.

When adjusting temperature set points, use the following chart as a guide:

CONDITION	TEMPERATURE ADJUSTMENT
Refrigerator too cold	Refrigerator setting 1° higher
Refrigerator too warm	Refrigerator setting 1° lower
Freezer too cold	Freezer setting 1° higher
Freezer too warm/ too little ice	Freezer setting 1° lower

- 88 Viewing and Adjusting Temperature Set Points

Adjusting Fresh Food and Freezer Compartment Temperature:

For your convenience, your refrigerator and freezer controls are preset at the factory.

When you first install your refrigerator, make sure that the controls are still set to the recommended set points. The factory recommended set points are 37°F for the refrigerator and 0°F for the freezer.

Pressing Refrigerator or Freezer Temperature button will toggle through temperature set points in Celsius (°C).

IMPORTANT:

- Wait 24 hours before you put food into refrigerator. If you add food before refrigerator has cooled completely, your food may spoil.

NOTE: Adjusting the set points to a colder-than recommended setting will not cool compartments any faster.

- If the temperature is too warm or too cold in the refrigerator or freezer, first check the air vents to be sure they are not blocked before adjusting the controls.
- The recommended settings should be correct for normal household use. The controls are set correctly when milk or juice is as cold as you like and when ice cream is firm.



NOTE: Areas such as a garage, basement or porch may have higher humidity or extreme temperatures. You may need to adjust the temperature away from the recommended settings to accommodate for these conditions.

- Wait at least 24 hours between adjustments. Recheck the temperatures before other adjustments are made.


NOTE: To toggle the temperature between degrees Celsius and Fahrenheit, touch and hold "Max Ice" and "Max cool" buttons for 3 seconds and the temperature display will change.

Fast Cool

The Fast Cool feature assists with periods of high refrigerator use, full grocery loads, or temporarily warm room temperatures.

- Unlock the user interface. See "Key Lock" item for details.
- To turn on the Fast Cool feature, press and hold the Refrigerator Temperature button  for 3 seconds. When feature is activated, the Fast Cool icon will be illuminated. The Fast Cool feature will remain on for 2 hours unless manually turned off.
- To manually turn off the Fast Cool feature, press and hold the Refrigerator Temperature button  for 3 seconds. The Fast Cool icon will turn off when feature is not activated.
- Adjusting refrigerator temperature will automatically turn off the Fast Cool feature.

Door Open Alarm

- The Door Open Alarm feature sounds an alarm and blinks the "Door Open" icon  when any of the four doors is open for 5 minutes or more.
- The alarm will repeat every 2 minutes. Close all doors to turn it off.


NOTE: To mute audible alarm while keeping the doors open, such as while cleaning inside of refrigerator, touch any button on control panel. The alarm sound will be temporarily turned off, but the Door Open icon will still be displayed on the control panel.

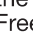
Temperature Unit (°C or °F)

- Unlock the user interface. See "Key Lock" item for details.
- Press and hold buttons "°C" and "°F" for 3 seconds to toggle the display temperature unit between Degree Celsius and Degree Fahrenheit

Fast Freeze

The amount of fresh food (in kg) that can be frozen in 24 hours is indicated on the appliance rating plate.

- Unlock the user interface. See "Key Lock" item for details.
- Press Freezer Temperature button  for 3 seconds (until the Fast Freeze Indicator lights up), 30 hours before placing fresh food in the freezer. After placing fresh food in the freezer, 30 hours on Fast Freeze function is generally sufficient; After 50 hrs the fast freeze function automatically deactivates.

- To manually turn off the Fast Freeze feature, press and hold the Freezer Temperature button  for 3 seconds. The Fast Freeze icon will turn off.
- Adjusting the freezer temperature will automatically turn off the Fast Freeze feature.

Total Coverage Cooling

Multi flow vents efficiently direct fresh, chilled air to every shelf and corner making sure that each item is cooled right, no matter where you store it

Vacation Mode

This mode is designed to avoid your appliance from wasting energy during times when it's not in regular use (when you are on vacation for example).

By selecting this function the temperature of fresh food compartment will automatically be set to 30°F (12°C).

- Unlock the user interface. See "Key Lock" item for details.
- To use the Vacation mode, press mode button until Vacation mode indicator is lit on the display.
- To exit the Vacation mode, press the mode button until no mode icon is lit on the display.
- Adjusting the refrigerator temperature will automatically turn off the Vacation Mode feature.

IMPORTANT: If this mode is selected then all food and drinks must be removed from fresh food compartment.

Demo Mode

This mode is used when refrigerator is on display in a retail shop or if you want to turn the cooling off and deactivate all other functions (except interior lighting).

Demo mode can be used when going on extended Vacation. See the "Vacation and Moving Care" section for proper steps on leaving your refrigerator in this mode for long periods of time.

- Unlock the user interface. See "Key Lock" item for details.
- If you turn on Demo mode, the "Demo" icon will light up on the display.
- Enter or exit Demo mode by pressing and holding the Sound On or Off button and the Lock button simultaneously for 3 seconds.

Sound ON-OFF

- Unlock the user interface. See "Key Lock" item for details.
- Press button to activate/deactivate the tones from the control buttons. This does not affect door ajar alarm.

Key Lock

- Press and hold the Lock button for 3 seconds to activate lock feature.
- To deactivate lock, press and hold the Lock button for 3 seconds.

The lock feature will ignore all interaction with control panel until the user unlocks the control panel. This feature is meant to avoid unintentional changing of settings.

Lighting

The refrigerator has an interior light that comes on any time door is opened.

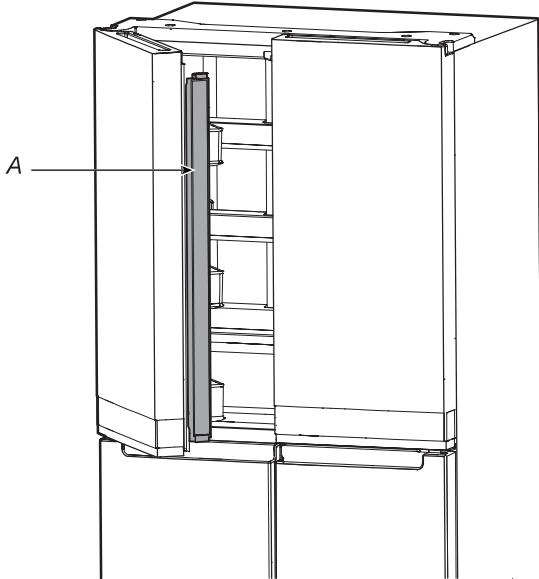
NOTE: The light is LED which does not need to be replaced. If the LED does not illuminate when the door is opened, call service to replace light.

Opening and Closing Doors

There are two fresh food compartment doors. The doors can be opened and closed either separately or together. There is a vertically hinged seal on left refrigerator door.

- When left-side door is opened, hinged seal automatically folds inward so that it is out of the way.
- When both doors are closed, the hinged seal automatically forms a seal between two doors.

NOTE: When closing the door, the hinged seal should be in correct position (be bent inside). Otherwise it will hit the right door or the fixing shaft.

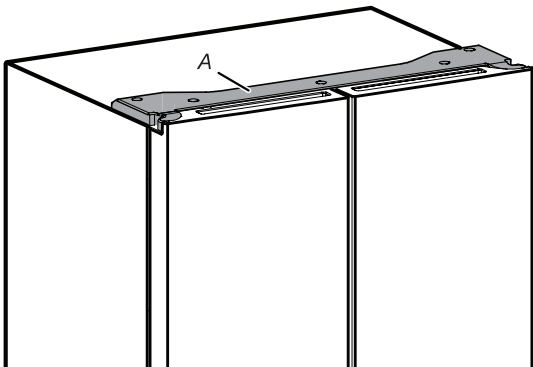


A. Hinged seal

The fresh food compartment door switch is located in top left and right hinge cover.

- For Freezer and Multi Temperature Compartment, door switch is located in the bottom mullion.
- The door switch uses magnet to sense door opening/closing.
- Ensure there are no magnet or electronic devices (Speaker, Coolvox® etc.) within 7.62 cm of the hinge cap.

NOTE: The light will not turn on if door opening is not detected.



A. Hinge cover

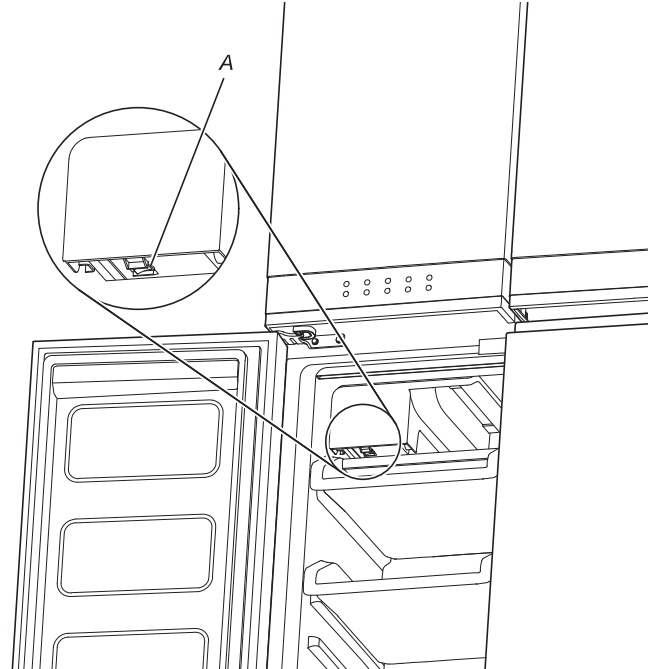
Ice Maker

Turn the Ice Maker On\Off

Turn on the ice maker by moving the switch to the On position.

NOTES:

- The Ice Maker switch is located at the bottom of the ice maker as shown in the picture below.



A. Ice Maker switch

- Your ice maker has an automatic shutoff. The sensor will automatically stop ice production if the storage bin is full or the door is open. The control will remain in the On position.
- Turn off the ice maker before removing the ice storage bin to serve ice or to clean the bin. This will keep the ice cubes from dropping out of the ice maker and into the freezer compartment. After replacing the ice storage bin, turn on the ice maker.

Ice Production Rate

- Your ice maker should produce approximately 3 lbs (1.4 kg) of ice per day under normal operation.
- To increase ice production, activate "Fast Freeze" feature from the control panel. The ice maker should produce approximately 3.5 lbs (1.6 kg) of ice per day. See the "Using the Controls" section.

Shelves, Bins and Drawers

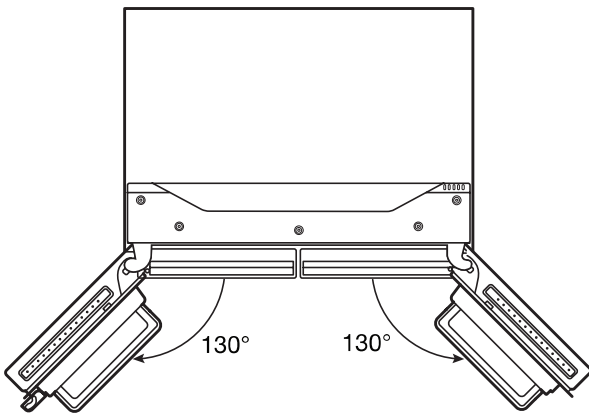
Important information to know about glass shelves and covers:

Do not clean glass shelves or covers with warm water when they are cold. Shelves and covers may break if exposed to sudden temperature changes or impact, such as bumping. Tempered glass is designed to shatter into many small, pebble-size pieces. This is normal. Glass shelves and covers are heavy. Use both hands when removing them to avoid dropping.

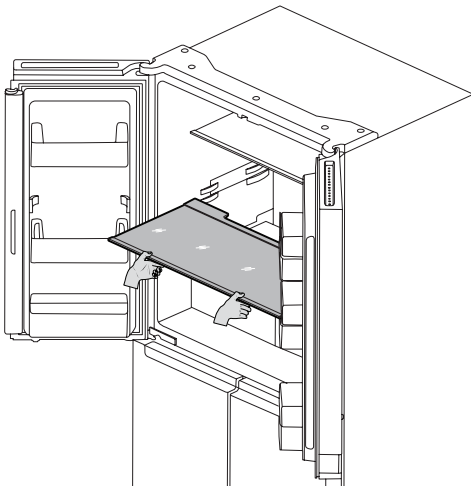
Shelf Height Adjustment and Shelves and Shelf Frames

Shelf height can be adjusted by changing its location from bottom support to upper support and vice versa.

- Open the right side door and left side door to it's full opening.



- Take shelf out of refrigerator and place it to desired mounting position.



- Ensure shelf is properly seated on the shelf mounts. The shelves in your refrigerator are adjustable to meet your individual storage needs. Storing similar food items together in your refrigerator and adjusting the shelves to fit different heights of items will make finding the exact item you want easier. It will also reduce the amount of time the refrigerator door is open and save energy.

2. Remove middle shelf or top shelf by lifting it up and out of shelf supports. Then pull the shelf forward and tilt down to a vertical position. Turn shelf at an angle and pull out of the refrigerator.
3. Remove the bottom shelf by lifting it up and out of the shelf supports. Then pull the shelf forward and tilt up to a vertical position. Turn the shelf at an angle and pull out of refrigerator.
4. Replace middle and top shelves by putting shelf in the refrigerator at an angle with shelf front down. Lift front of the shelf up and slide in until the rear of shelf drops into shelf supports. Lower the front of shelf and make sure that the shelf is in position.
5. Replace bottom shelf by putting shelf in refrigerator at an angle with shelf up. Lift front of shelf down and slide in until rear shelf drops into the shelf supports. Lower front of the shelf and make sure that shelf is in position.

Crispers

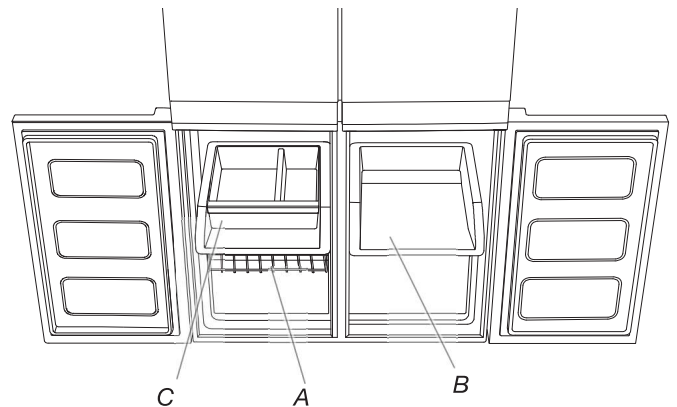


To remove and replace the Crispers:

1. Open the right side door and left side door to it's full opening.
2. Grasp handle of the Crisper and slide Crisper straight out to the stop. Lift the Crisper off the bottom guide.
3. Replace/putting back the Crisper by placing it on bottom Crisper guide and pushing it past the Crisper stop into position.

Ice Bin

Ice storage for the ice maker



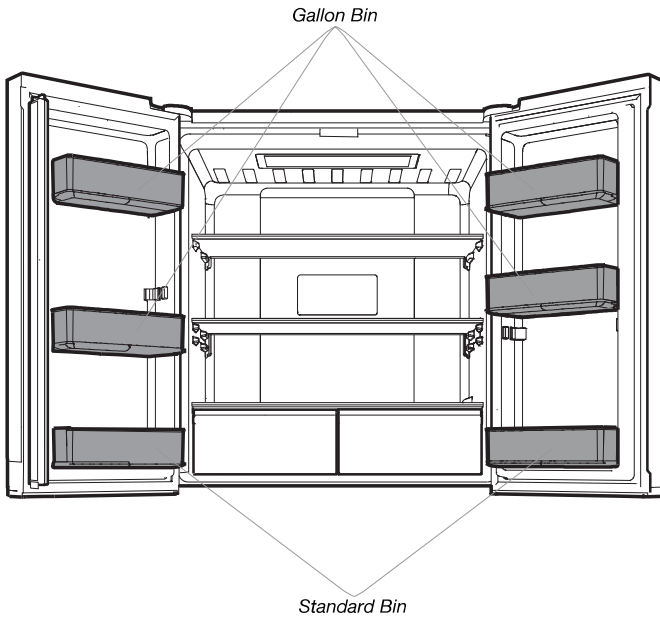
- A. Full width removable rack
- B. Pull out Freezer Shelves
- C. Ice Bin

To remove and replace shelves:

1. Open the right side door and left side door to its full opening.

Refrigerator Bins

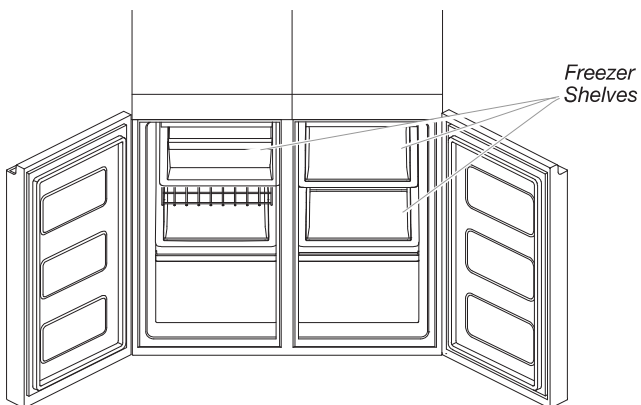
The bin on your refrigerator door are adjustable to meet your individual storage needs.



- The center bin position can be adjusted in two fixed points. To remove the bin pull it up by applying force on both bottom sides where the bin is engaged to the door lug. Install it in the other position by pressing it down until the door lug is fully engaged to the bin.
- Free up shelf space with four gallon door bins that fit items like gallon milk

Freezer Storage Compartments

Pullout Freezer Shelves and Drawers

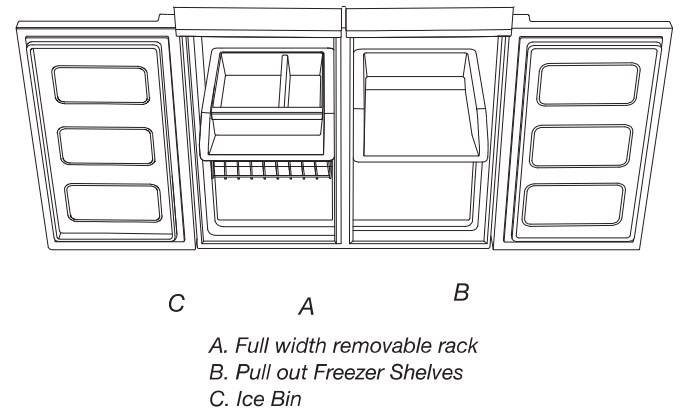


Easily store large or small items in the pull out freezer tray shelves

NOTE: To open the trays to it's full extend please refer to the space required at the refrigerator side to open the doors at the required minimum angle. Find detailed information in the "Installation Instructions".

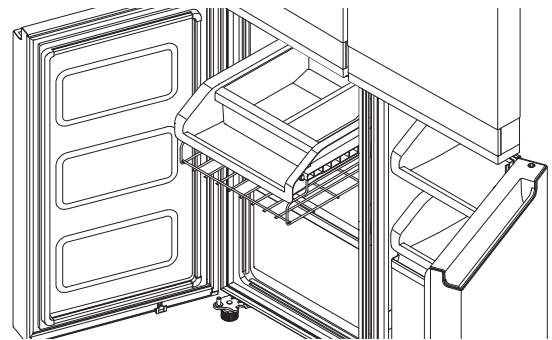
Full width removable rack

The Full width removable rack is located in the freezer compartment below the ice bin tray.

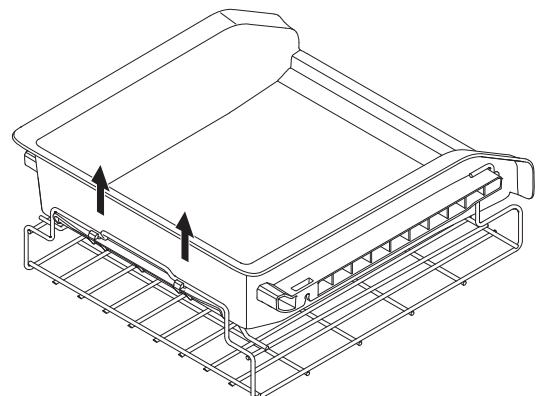


To remove the full width removable rack:

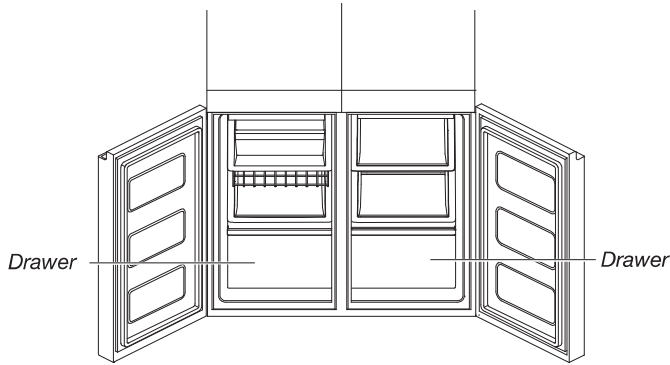
- Remove the content of the ice bin and from the full width removable track.
- Remove the ice bin from the freezer tray.
- Remove the freezer tray with bin from the freezer compartment pulling it out.



- On the back of the tray, pull the wire up and backwards to disengage the rack from the tray in the area shown in the picture below.



Freezer Drawers



NOTE: To open the drawers to it's full extend please refer to the space required at the refrigerator side to open the doors at the required minimum angle. Find detailed information in the "Installation Instructions".

Fast Freeze compartment

- Use these drawers and shelves to freeze a bigger amount of fresh or cooked food (in the best or in the fastest way).
- Fast Freeze option allows you to store all your frozen food safely and transparently.

NOTE: Freezer temperature might be cooled down to be same as Multi Temperature Freeze Compartment temperature, when Freezer set to warmer than Flexible Freezer compartment.

Multi Temperature Compartment

Multi Temperature Freeze Compartment allows you to select one of four freezer temperature levels: 20°F, 10°F, 0°F and -4°F to provide the best storing conditions for different types of food.

For maximum freezer capacity, you may remove the freezer drawer to expose the freezer shelf.

To remove the upper drawer:

1. Grasp handle of the drawer and slide drawer straight out to the stop. Lift drawer off the bottom guide.
2. Replace/putting back drawer by placing it on bottom drawer guide and pushing it past drawer stop into position.

Audio Reference

Tone Assignment

Tone Name	Usage Examples
Power On	Cooling system is turned on every time the product is powered on.
Key Press	User presses a valid button.
Invalid (Error)	User presses two or more valid buttons at the same time. Count-down interruption for press-and-hold buttons.
Engage	Acknowledgement of entry into any mode.
Disengage	Acknowledgement of exit from any mode.
Alert	Door Ajar alert.

This table is for quick reference only. See corresponding sections for details. In case of inconsistency, section details will prevail.

REFRIGERATOR CARE

Cleaning

⚠ WARNING



Explosion Hazard

Use nonflammable cleaner.

Failure to do so can result in death, explosion, or fire.

All of the Refrigerator, Freezer and Multi Temp Compartment sections defrost automatically. However, clean all the sections about once a month to avoid build-up of odours. Wipe up spills immediately.

Style 1 — Fingerprint-Resistant Stainless

IMPORTANT:

- Avoid exposing stainless steel appliances to caustic or corrosive elements such as high-salt, high-moisture, or high-humidity environments. Damage due to exposure to these elements is not covered under the warranty.

DO USE	DO NOT USE
<ul style="list-style-type: none"> ✓ Soft, clean cloth 	<ul style="list-style-type: none"> ✗ Abrasive cloths ✗ Paper towels or newsprint ✗ Steel-wool pads
<ul style="list-style-type: none"> ✓ Warm, soapy water with a mild detergent 	<ul style="list-style-type: none"> ✗ Abrasive powders or liquids ✗ Window sprays ✗ Ammonia ✗ Acidic or vinegar-based cleaners ✗ Oven cleaners ✗ Flammable fluids

NOTES:

- If unintentional contact does occur, clean plastic part with a sponge and mild detergent in warm water. Dry thoroughly with a soft cloth.
- Just because a cleaner is a liquid does not mean it is non-abrasive. Many liquid cleansers formulated to be gentle on tile and smooth surfaces still damage stainless steel.
- Citric acid permanently discolours stainless steel.
- To avoid damaging the finish of your stainless steel refrigerator:

Do not allow these substances to remain on the finish:

- ✗ Mustard
- ✗ Tomato juice
- ✗ Marinara sauce
- ✗ Citrus-based sauces
- ✗ Citrus-based products

Interior Cleaning

IMPORTANT: Refrigerator shelves are not dishwasher safe

1. Unplug refrigerator or disconnect power.
2. Hand wash, rinse, and dry removable parts and interior surfaces thoroughly. Use a clean sponge or soft cloth and a mild detergent in warm water.

NOTE: Do not use abrasive or harsh cleaners such as window sprays, scouring cleansers, flammable fluids, cleaning waxes, concentrated detergents, bleaches, or cleansers containing petroleum products on plastic parts, interior and door liners, or gaskets.

3. Plug in refrigerator or reconnect power.

Condenser

This refrigerator has skin condenser on both sides of refrigerator. It is normal to feel warm on the sides.

Lights

The lights in both the fresh food and freezer compartments are LEDs which do not need to be replaced. If the lights do not illuminate when the door is opened, contact the dealer from whom you purchased your refrigerator.

Moving Care

Extended away

If You Choose to Leave the Refrigerator On While You're Away:

1. Use up any perishables and freeze other items.
2. If your refrigerator has an automatic ice maker and is connected to the household water supply, turn off the water supply to the refrigerator. Property damage can occur if the water supply is not turned off.
3. If you have an automatic ice maker, turn off the ice maker.
 - Press the switch to Off (O) for the door ice maker.
4. Empty the ice bin.

If You Choose to Turn Off the Refrigerator Before You Leave:

NOTE: Put refrigerator in Demo Mode while on Vacation. See the "Using the Controls" section.

1. Remove all food from the refrigerator.
2. If your refrigerator has an automatic ice maker:
 - Turn off water supply to the ice maker at least 1 day ahead of time.
 - When last load of ice drops, press the switch to Off (O) for display to be unlit on the top inside of the refrigerator, depending on your model.
3. Empty ice bin.
4. Turn off temperature controls. See the "Using the Controls" section.
5. Clean refrigerator, wipe it and dry well.
6. Tape rubber or wood blocks to the tops of both doors to prop them open far enough for air to get in. This stops odours and mould from building up.

Moving

When you are moving your refrigerator to a new home, follow these steps to prepare it for the move.

1. If your refrigerator has an automatic ice maker:
 - Turn off water supply to the ice maker at least 1 day ahead of time.
 - Disconnect water line from the back of the refrigerator.
 - When last load of ice drops, press the switch to Off (O) either on the ice maker or the control, depending on your model.
2. Remove all food from refrigerator and pack all frozen food in dry ice.

3. Empty ice bin.
4. Unplug refrigerator.
5. Clean, wipe and dry thoroughly.
6. Take out all removable parts, wrap them well and tape them together so they don't shift and rattle during the move.
7. Depending on the model, raise the front of the refrigerator so it rolls more easily or raise the levelling screws so they do not scrape the floor. See the "Adjust the Doors" or "Refrigerator Levelling and Door Closing" sections.
8. Tape doors closed and tape the power cable to the back of the refrigerator.

When you get to your new home, put everything back and refer to the "Installation Instructions" section for preparation instructions. Also, if your refrigerator has an automatic ice maker, remember to reconnect the water supply to the refrigerator.



RÉFRIGÉRATEUR AVEC PORTE À DOUBLE BATTANT ET CONGÉLATEUR EN BAS GUIDE D'UTILISATION

Table des matières

SÉCURITÉ DU RÉFRIGÉRATEUR.....	22
Mise au rebut du vieux réfrigérateur.....	23
INSTRUCTIONS D'INSTALLATION.....	24
Pour commencer	24
Déballage du réfrigérateur	24
Exigences d'emplacement	25
Spécifications électriques.....	25
Retrait et réinstallation des portes du réfrigérateur.....	26
Retrait et réinstallation de la porte du congélateur	28
Nivellement du réfrigérateur	29
Spécifications de l'alimentation en eau.....	29
Raccordement à la canalisation d'eau	29
UTILISATION DU RÉFRIGÉRATEUR	31
Utilisation des commandes	31
Éclairage du réfrigérateur.....	33
Ouverture et fermeture des portes	33
Tablettes, Balconnets et Tiroirs	34
Compartiments de rangement du congélateur	35
Référence audio.....	36
ENTRETIEN DU RÉFRIGÉRATEUR	37
Nettoyage.....	37
Lampes	37
Précautions à prendre avant un déménagement.....	37

SÉCURITÉ DU RÉFRIGÉRATEUR

Votre sécurité et celle des autres est très importante.

Nous donnons de nombreux messages de sécurité importants dans ce manuel et sur votre appareil ménager. Assurez-vous de toujours lire tous les messages de sécurité et de vous y conformer.



Voici le symbole d'alerte de sécurité.

Ce symbole d'alerte de sécurité vous signale les dangers potentiels de décès et de blessures graves à vous et à d'autres.

Tous les messages de sécurité suivront le symbole d'alerte de sécurité et le mot "DANGER" ou "AVERTISSEMENT". Ces mots signifient :

⚠ DANGER

Risque possible de décès ou de blessure grave si vous ne suivez pas immédiatement les instructions.

⚠ AVERTISSEMENT

Risque possible de décès ou de blessure grave si vous ne suivez pas les instructions.

Tous les messages de sécurité vous diront quel est le danger potentiel et vous disent comment réduire le risque de blessure et ce qui peut se produire en cas de non-respect des instructions.

IMPORTANTES INSTRUCTIONS DE SÉCURITÉ

AVERTISSEMENT : Pour réduire le risque d'incendie, de choc électrique ou de blessure dans le cadre de l'utilisation du réfrigérateur, suivre les consignes de base suivantes :

- Brancher sur une prise de terre (reliée à la masse).
- Ne pas retirer la broche de terre.
- Ne pas utiliser d'adaptateur.
- Ne pas utiliser de rallonge.
- Débrancher la source de courant électrique avant l'entretien.
- Replacer pièces et panneaux avant de faire la remise en marche.
- Enlever les portes de votre vieux réfrigérateur.
- Utiliser un produit de nettoyage ininflammable.
- Ne pas utiliser ou conserver d'essence ni de liquides ou gaz inflammables à proximité de cet ou d'autres appareils électriques. Les fumées peuvent causer des incendies ou des explosions.
- Ne pas conserver de substances explosives, par exemple des bombes aérosols contenant un agent propulseur, dans ce réfrigérateur.
- Ne pas utiliser ni placer dans les compartiments du réfrigérateur des dispositifs électriques d'un type autre que celui expressément autorisé par le fabricant.
- Utiliser deux ou plus de personnes pour déplacer et installer le réfrigérateur.
- Débrancher le réfrigérateur avant l'installation de la machine à glaçons (seulement pour modèles prêts à recevoir une machine à glaçons)
- Gardez les ouvertures de ventilation libres de toute obstruction dans la niche du réfrigérateur ou la structure intégrée.
- N'utilisez pas d'appareils mécaniques ou d'autres moyens pour accélérer le processus de dégivrage, autres que ceux recommandés par le fabricant.
- N'endommagez pas le circuit de réfrigération
- N'utilisez pas d'appareils électriques à l'intérieur des compartiments du réfrigérateur si cela n'est pas recommandé par le fabricant.
- Un technicien qualifié doit installer le tuyau d'eau et le distributeur de glaçons.
- Raccorder uniquement à une arrivée d'eau potable.
- Utiliser un verre robuste pour prendre des glaçons (sur certains modèles).
- Cet appareil ne convient pas à une utilisation par des personnes (y compris des enfants) à capacités physiques, sensorielles ou mentales réduites, ou possédant un manque d'expérience et de connaissances, à moins qu'elles ne soient placées sous supervision ou qu'elles aient reçu des instructions concernant l'utilisation de l'appareil par une personne responsable de leur sécurité.
- Les enfants doivent être placés sous surveillance afin de s'assurer qu'ils ne jouent pas avec l'appareil.
- Pour éviter le risque que des enfants restent enfermés à l'intérieur et s'asphyxient, ne pas les laisser jouer ou se cacher dans le réfrigérateur.
- Si le cordon d'alimentation est endommagé, il doit être remplacé par le fabricant ou son technicien d'entretien ou une personne présentant une qualification similaire.
- Ce réfrigérateur est destiné à un usage résidentiel et à des appareils similaires tels que:
 - Cuisines des employés dans les magasins, bureaux et autres environnements de travail.
 - Hôtel de ferme ou hôtels, motels et autres types d'environnements résidentiels.
 - Environnements de type chambres d'hôtes.
 - Catering et applications similaires non commerciales.

CONSERVEZ CES INSTRUCTIONS

Mise au rebut du vieux réfrigérateur

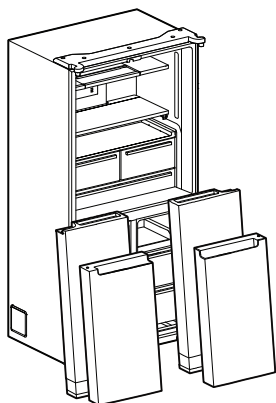
DANGER : Un enfant peut rester piégé. Avant de jeter l'ancien réfrigérateur ou congélateur :

- Enlever les portes.
- Laisser les tablettes en place de sorte que les enfants ne puissent pas y pénétrer facilement.

⚠ AVERTISSEMENT

Risque de suffoquer

**Enlever les portes de votre vieux réfrigérateur.
Le non-respect de cette instruction peut causer
un décès ou des lésions cérébrales.**



IMPORTANT : Le risque qu'un enfant puisse se retrouver coincé et suffoquer n'est pas chose du passé. Les réfrigérateurs jetés ou abandonnés restent dangereux, même s'ils ne restent à l'extérieur que pour « quelques jours seulement ». Si l'ancien réfrigérateur doit être mis au rebut, suivre les instructions suivantes afin d'aider à éviter les accidents.

Renseignements importants à propos de la mise au rebut des fluides réfrigérants :

Mettre le réfrigérateur au rebut conformément à la réglementation fédérale et locale. Les fluides réfrigérants doivent être évacués par un technicien certifié et agréé par l'EPA conformément aux procédures établies.

INSTRUCTIONS D'INSTALLATION

Pour commencer

LISTE DE VÉRIFICATION POUR L'INSTALLATION

✓Alimentation électrique

⚠ AVERTISSEMENT



Risque de choc électrique

Brancher sur une prise à 3 alvéoles reliée à la terre.

Ne pas enlever la broche de liaison à la terre.

Ne pas utiliser un adaptateur.

Ne pas utiliser un câble de rallonge.

Le non-respect de ces instructions peut causer un décès, un incendie ou un choc électrique.

- Brancher le réfrigérateur dans une prise avec mise à la terre.
- ✓ **Portes**
- Si les portes doivent être retirées lors de l'installation, se reporter aux sections « Retirer et replacer les portes » et « Retirer et replacer l'avant de la porte du congélateur ».
- Les portes ferment complètement hermétiquement.
- Le réfrigérateur est de niveau. Ajuster les pieds de nivellement de façon à ce qu'ils soient en contact avec le plancher.
- Les portes sont alignées à leurs rives supérieures. (Utiliser la fonction d'ajustement de la porte au besoin.)
- ✓ **Dernières vérifications**
- Retirer tout l'emballage d'expédition.
- Régler les commandes de température aux réglages recommandés.
- Conserver les instructions et autres documents éventuels.
- Pour obtenir plus d'aide, enregistrer le produit au www.whirlpool.com.

Déballage du réfrigérateur

⚠ AVERTISSEMENT

Risque du poids excessif

Utiliser deux ou plus de personnes pour déplacer et installer le réfrigérateur.

Le non-respect de cette instruction peut causer une blessure au dos ou d'autre blessure.

Livraison du réfrigérateur

Une ouverture de porte minimum de 838 mm (33 po) est nécessaire. Si l'ouverture est inférieure ou égale à 914 mm (36 po), il faudra enlever les portes, tiroirs et charnières.

Pousser le chariot avec le réfrigérateur de côté pour toutes les ouvertures de porte.

Déplacement de votre réfrigérateur :

Votre réfrigérateur est lourd. Lors du déplacement de votre réfrigérateur pour le nettoyage ou un entretien ou réparation, veiller à recouvrir le plancher avec du carton ou un panneau de fibres dures pour éviter qu'il ne subisse tout dommage. Toujours tirer le réfrigérateur tout droit lors de son déplacement. Ne pas incliner le réfrigérateur d'un côté ou de l'autre ni le "faire marcher" en essayant de le déplacer car le plancher pourrait être endommagé.

Retrait des matériaux d'emballage

- Enlever les résidus de ruban adhésif et de colle des surfaces du réfrigérateur avant de le mettre en marche. Frotter une petite quantité de détergent liquide à vaisselle sur l'adhésif avec les doigts. Rincer à l'eau tiède et sécher.
- Ne pas utiliser d'instruments coupants, d'alcool à friction, de liquides inflammables ou de nettoyants abrasifs pour enlever le ruban adhésif ou la colle. Ces produits peuvent endommager la surface du réfrigérateur.
- Éliminer/recycler tous les matériaux d'emballage.

Nettoyage avant utilisation

Après avoir enlevé tous les matériaux d'emballage, nettoyer l'intérieur du réfrigérateur avant de l'utiliser. Voir les instructions de nettoyage dans la section « Entretien du réfrigérateur ».

Importants renseignements à savoir au sujet des tablettes et des couvercles en verre :

Ne pas nettoyer les tablettes ou couvercles en verre avec de l'eau tiède quand ils sont froids. Les tablettes et les couvercles peuvent se briser s'ils sont exposés à des changements soudains de température ou à un impact tel que coup brusque. Le verre trempé est conçu pour éclater en d'innombrables pièces minuscules. Ceci est normal. Les tablettes et les couvercles en verre sont lourds. Les saisir à deux mains lors de leur dépose afin d'éviter de les faire tomber.

Exigences d'emplacement

⚠ AVERTISSEMENT



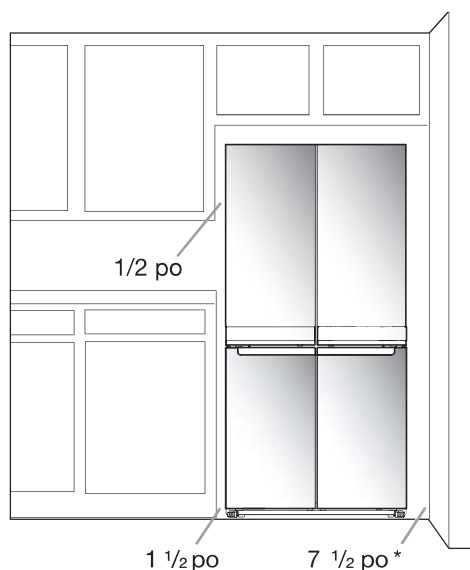
Risque d'explosion

Garder les matériaux et les vapeurs inflammables, telle que l'essence, loin du réfrigérateur.

Le non-respect de cette instruction peut causer un décès, une explosion ou un incendie.

Pour obtenir une aération appropriée pour ce réfrigérateur, laissez un espace de 1/2 po de chaque côté et au sommet. Laissez un espace de 1,97 po cm derrière le réfrigérateur. Si le réfrigérateur comporte une machine à glaçons, s'assurer qu'un espace additionnel est prévu à l'arrière pour permettre les raccordements des conduits d'eau. En cas d'installation du réfrigérateur près d'un mur fixe, laissez un minimum de 3,74 po entre le réfrigérateur et le mur pour permettre à la porte de s'ouvrir librement.

REMARQUE : Ce réfrigérateur est conçu pour être utilisé dans un endroit où la température est comprise entre un minimum de 50 °F (10 °C) et un maximum de 110 °F (43 °C). La plage de température ambiante idéale pour un rendement optimal est comprise entre 60 °F (15 °C) et 90 °F (32 °C). Il est recommandé de ne pas installer le réfrigérateur près d'une source de chaleur comme un four ou un radiateur.



* Espace requis entre le côté du produit et le mur pour ouvrir la porte à 112° et ouvrir les tiroirs et étagères à l'intérieur des compartiments du bas.

Spécifications électriques

⚠ AVERTISSEMENT



Risque de choc électrique

Brancher sur une prise à 3 alvéoles reliée à la terre.

Ne pas enlever la broche de liaison à la terre.

Ne pas utiliser un adaptateur.

Ne pas utiliser un câble de rallonge.

Le non-respect de ces instructions peut causer un décès, un incendie ou un choc électrique.

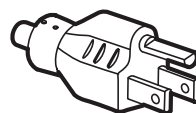
IMPORTANT : L'installation et le raccordement électrique doivent être réalisés par un technicien qualifié, conformément aux instructions du fabricant et aux règlements de sécurité locaux.

- Le réfrigérateur est prévu pour fonctionner sur un circuit distinct de 115 V, 60 Hz, 15 A ou 20 A avec fusible, mise à la terre.
- S'assurer que la tension indiquée sur la plaque signalétique correspond à celle de votre domicile.
- Il doit être possible de couper l'alimentation électrique de l'appareil en débranchant sa prise ou au moyen d'un interrupteur bipolaire monté en amont de la prise secteur.
- Si le cordon d'alimentation est endommagé, il doit être remplacé par le fabricant, son agent de réparation ou toute autre personne qualifiée afin d'éviter tout danger.

Avant de placer le réfrigérateur à son emplacement final, il est important de s'assurer d'avoir la connexion électrique appropriée :

Méthode recommandée de mise à la terre

Chaque appareil doit être alimenté par un circuit à 115 V CA à 60 Hz relié à la terre et protégé par un fusible de 15 A ou 20 A.



REMARQUE : On recommande que le réfrigérateur et les accessoires approuvés soient alimentés par un circuit indépendant. Utiliser une prise de courant dont l'alimentation ne peut pas être interrompue par un interrupteur. Ne pas utiliser de rallonge.

Retrait et réinstallation des portes du réfrigérateur

REMARQUE : En fonction de la largeur de l'ouverture de la porte, il faudra peut-être retirer les portes du réfrigérateur pour pouvoir introduire le réfrigérateur dans le domicile. Si les portes doivent être retirées, consulter les instructions suivantes.

IMPORTANT : Si le réfrigérateur est déjà installé et qu'il doit être déplacé à l'extérieur de la maison, fermer les commandes du réfrigérateur avant de commencer à enlever les portes. Débrancher le réfrigérateur ou déconnecter la source de courant électrique. Retirer les aliments et les balconnets des portes du réfrigérateur.

Rassembler les outils nécessaires et lire toutes les instructions avant de retirer les portes.

OUTILS REQUIS : Clés à douille de 5 mm et 6 mm, tournevis cruciforme no 2.



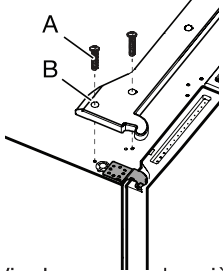
⚠ AVERTISSEMENT

Risque de choc électrique

Déconnecter la source de courant électrique avant d'enlever les portes.

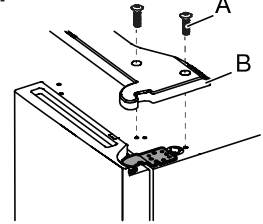
Le non-respect de cette instruction peut causer un décès ou un choc électrique.

Couvercle de charnière supérieure gauche



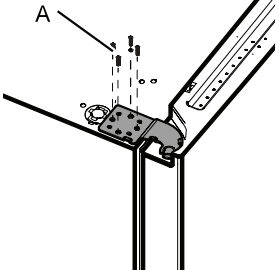
- A. Vis du couvre-charnière supérieur
- B. Couvercle de charnière supérieur

Couvercle de charnière supérieure droit



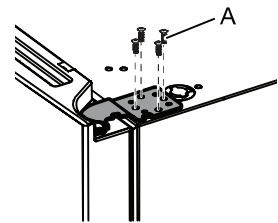
- A. Vis du couvre-charnière supérieur
- B. Couvercle de charnière supérieur

Charnière supérieure gauche



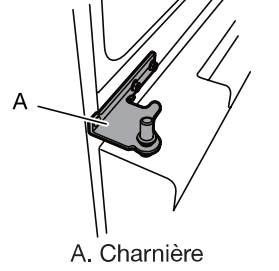
- A. Vis à tête creuse de 5 mm

Charnière supérieure droite



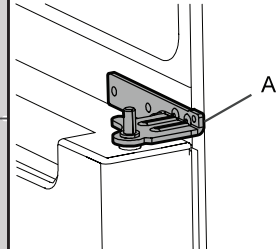
- A. Vis à tête creuse de 5 mm

Charnière du milieu gauche



- A. Charnière

Charnière du milieu droite



- A. Charnière

⚠ AVERTISSEMENT

Risque du poids excessif

Utiliser deux ou plus de personnes pour soulever la porte du réfrigérateur.

Le non-respect de cette instruction peut causer une blessure au dos ou d'autre blessure.

Retrait des portes du réfrigérateur

⚠ AVERTISSEMENT



Risque de choc électrique

Déconnecter la source de courant électrique avant d'enlever les portes.

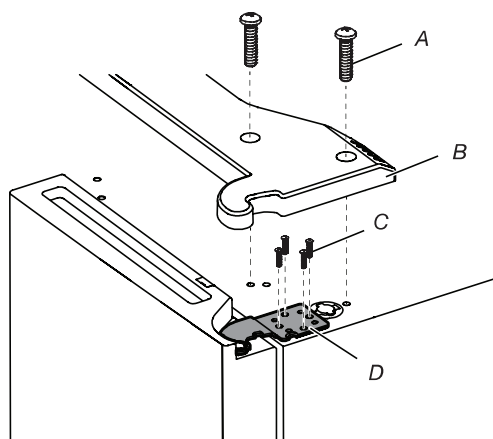
Le non-respect de cette instruction peut causer un décès ou un choc électrique.

Retrait de la porte de droite

1. Débrancher le réfrigérateur ou déconnecter la source de courant électrique.
2. Laisser les portes du réfrigérateur fermées jusqu'au moment de les détacher de la caisse.

REMARQUE : Prévoir un support supplémentaire pour la porte du réfrigérateur pendant le retrait des charnières. La force d'attraction des aimants de la porte ne suffit pas à la maintenir en place pendant la manutention.

3. À l'aide d'un tournevis cruciforme, retirer le couvre-charnière de la charnière supérieure.
4. À l'aide de la clé à douille de 5 mm, retirer les quatre vis de la charnière supérieure et les garder de côté.



A. Vis du couvre-charnière supérieur
B. Couvre-charnière supérieur

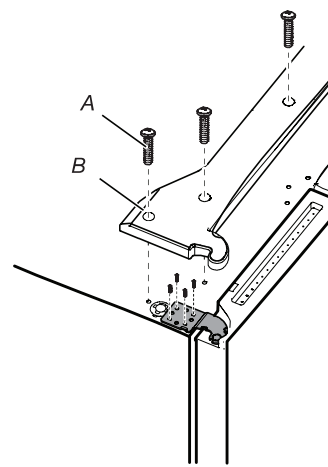
C. Vis à tête creuse de 5 mm
D. Charnière supérieure

5. Soulever la porte du réfrigérateur de l'axe de la charnière du centre. La charnière supérieure se dégage en même temps que la porte.

Retrait de la porte de gauche

IMPORTANT : Le câblage de l'IU passe par la charnière de la porte de gauche, il doit être déconnecté avant de retirer la porte.

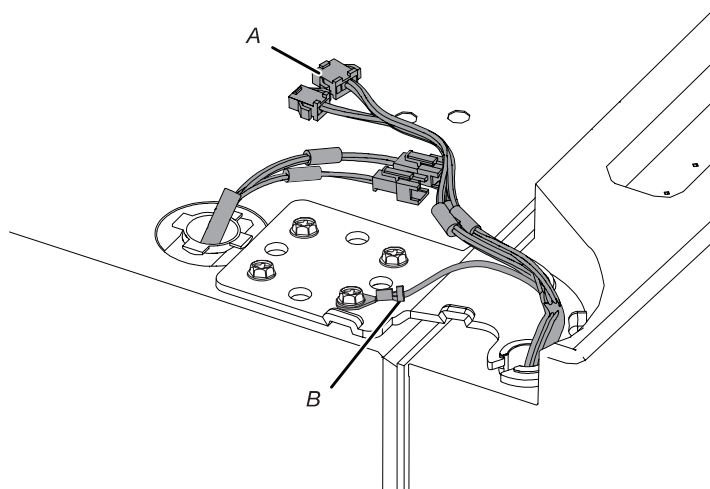
1. À l'aide d'un tournevis cruciforme, retirer le couvre-charnière de la charnière supérieure.



A. Vis du couvre-charnière supérieur
B. Couvre-charnière supérieur

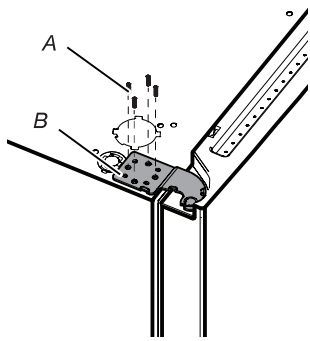
2. Débrancher les deux fiches de câblage situées sur le dessus de la charnière de la porte.

- Saisir chaque côté des fiches de câblage. Avec le pouce gauche, appuyer sur le loquet pour le dégager et écarter les deux sections des fiches.



A. Fiche de câblage
B. Connecteur de mise à la terre

- À l'aide de la clé à douille de 5 mm, retirer les quatre vis internes de la charnière et les garder de côté.



A. Vis à tête creuse de 5 mm
B. Charnière supérieure

REMARQUE : Prévoir un support supplémentaire pour la porte du réfrigérateur pendant le retrait des charnières. La force d'attraction des aimants de la porte ne suffit pas à la maintenir en place pendant la manutention.

- Soulever la porte du réfrigérateur de l'axe de la charnière inférieure. La charnière supérieure se dégage en même temps que la porte.

REMARQUE : Il ne sera peut-être pas nécessaire d'enlever les charnières inférieures et les pieds de stabilisation pour faire passer le réfrigérateur dans un cadre de porte.

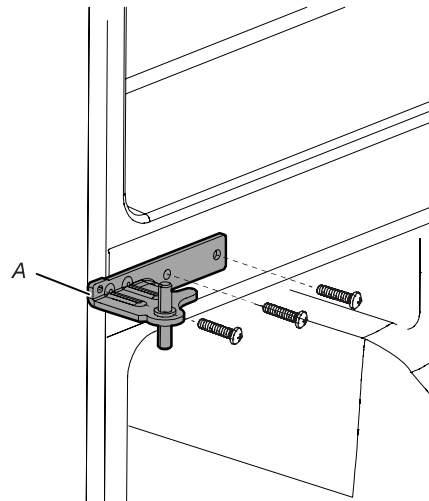
- Si nécessaire, utiliser une clé à douille de 6 mm et un tournevis cruciforme no 2 pour enlever la charnière du milieu.

Retrait et réinstallation de la porte du congélateur

- Laisser les portes du congélateur fermées jusqu'au moment de les détacher de la caisse.

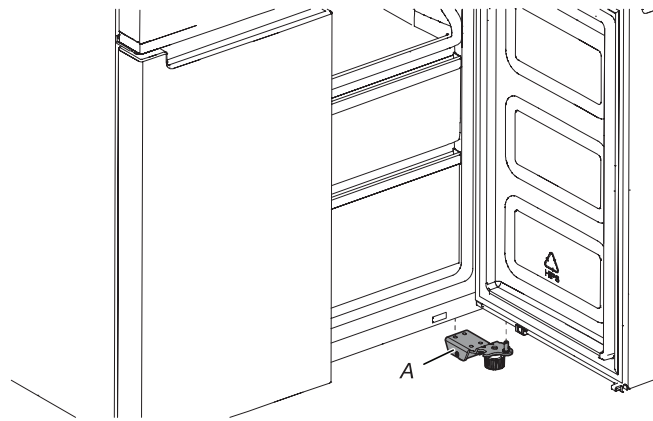
REMARQUE : Prévoir un support supplémentaire pour la porte du congélateur pendant le retrait des charnières. La force d'attraction des aimants de la porte ne suffit pas à la maintenir en place pendant la manutention.

- Utiliser un tournevis cruciforme no 2 et une clé à douille de 6 mm pour enlever la charnière du milieu de la caisse.



A. Charnière du milieu

- Soulever la porte du congélateur de l'axe de la charnière inférieure.



A. Charnière inférieure

Réinstallation de la porte de droite du réfrigérateur

- Placer la porte de droite sur l'axe de la charnière du milieu.
- Insérer l'axe de la charnière supérieure dans le trou du sommet de la porte du réfrigérateur.
- À l'aide de 4 vis à tête creuse de 5 mm, serrer la charnière sur l'appareil. Ne pas complètement serrer les vis.

Réinstallation de la porte de gauche du réfrigérateur

- Placer la porte de gauche sur l'axe de la charnière du milieu.
- À l'aide de 4 vis à tête creuse de 5 mm, serrer la charnière sur l'appareil. Ne pas complètement serrer les vis.
- Rebrancher le câblage électrique.
 - Remboîter deux sections de la fiche de câblage.
 - Rebrancher la mise à la terre à la vis de charnière.

Étapes finales

- Serrer à fond les 8 vis à tête creuse de 5 mm.
- Réinstaller les couvre-charnières supérieurs.

Étapes finales

⚠ AVERTISSEMENT



Risque de choc électrique

Brancher sur une prise à 3 alvéoles reliée à la terre.

Ne pas enlever la broche de liaison à la terre.

Ne pas utiliser un adaptateur.

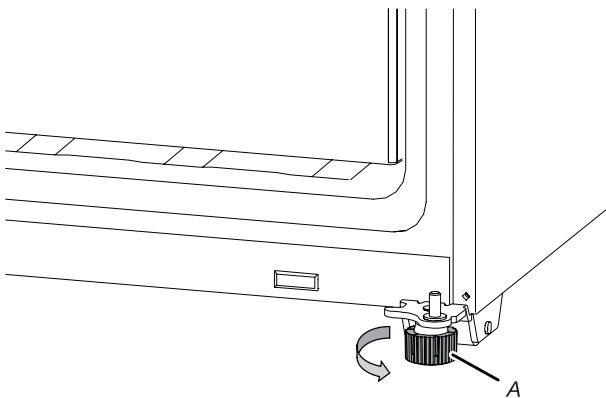
Ne pas utiliser un câble de rallonge.

Le non-respect de ces instructions peut causer un décès, un incendie ou un choc électrique.

1. Brancher sur une prise reliée à la terre.
2. Replacer toutes les pièces amovibles et tous les aliments dans les tiroirs.

Nivellement du réfrigérateur

1. Déplacer le réfrigérateur jusqu'à son emplacement final.
2. Avec la main, faire pivoter les pieds de stabilisation. Les tourner dans le sens antihoraire, jusqu'à ce que les roulettes ne touchent plus le sol et que les deux pieds de stabilisation soient fermement en appui sur le sol. Ceci permet d'empêcher le réfrigérateur de rouler vers l'avant à l'ouverture des portes.



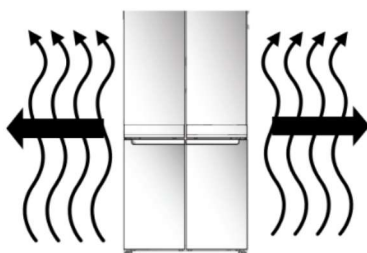
A. Pieds de stabilisation

IMPORTANT : Si des ajustements sont nécessaires par la suite et si cela comprend les pieds de stabilisation, les deux pieds de stabilisation doivent être tournés de façon égale pour conserver l'aplomb du réfrigérateur.

3. À l'aide d'un niveau, vérifier que le réfrigérateur est d'aplomb transversalement et d'avant en arrière.

Information au sujet des surfaces chauffées

- La chaleur ressentie sur les côtés gauche et droit de l'appareil est normale pour cette technologie de refroidissement.



Spécifications de l'alimentation en eau

Une alimentation en eau froide avec une pression entre 20 lb/po² et 145 lb/po² (1,4 bar et 10 bars) est nécessaire pour faire fonctionner le distributeur d'eau et la machine à glaçons. Pour toute question au sujet de la pression de l'eau, faire appel à un plombier qualifié agréé.

REMARQUE : Si la pression en eau est inférieure aux critères minimaux, le débit du distributeur d'eau pourrait diminuer ou entraîner la formation de glaçons creux ou de forme irrégulière.

Alimentation en eau par osmose inverse

IMPORTANT : La pression de l'alimentation en eau entre le système d'osmose inverse et le robinet d'arrivée d'eau du réfrigérateur doit être entre 20 lb/po² et 145 lb/po² (1,4 bar à 10 bars).

Si un système de filtration de l'eau par osmose inverse est raccordé à l'alimentation en eau froide, la pression de l'eau au système doit être d'un minimum de 40 lb/po² à 60 lb/po² (276 kPa à 414 kPa).

- Vérifier que le filtre à sédiment dans le système à osmose inverse n'est pas obstrué. Remplacer le filtre si nécessaire.
- Laisser le réservoir du système d'osmose inverse se remplir après une utilisation intense. La capacité du réservoir est peut-être trop faible pour répondre aux spécifications du réfrigérateur.
REMARQUE : Un système d'osmose inverse monté sur robinet est déconseillé.
- Si le réfrigérateur comporte un filtre à eau, celui-ci peut réduire la pression de l'eau lorsqu'il est utilisé avec un système d'osmose inverse. Enlever le filtre à eau. Consulter la section « Système de filtration de l'eau ».

Pour toute question au sujet de la pression de l'eau, faire appel à un plombier qualifié agréé.

Raccordement à la canalisation d'eau

Lire toutes les instructions avant de commencer.

IMPORTANT :

- Brancher sur une alimentation en eau potable uniquement.

Ne pas utiliser pour le filtrage d'une eau microbiologiquement polluée ou de qualité inconnue en l'absence d'un dispositif de désinfection adéquat avant ou après le système. Les systèmes certifiés pour la réduction de kyste peuvent être utilisés pour l'eau désinfectée qui peut contenir des kystes filtrables.

- Réaliser l'installation de plomberie conformément aux prescriptions du International Plumbing Code et des normes et codes locaux en vigueur.
- Il est possible d'utiliser des raccords en cuivre ou en polyéthylène réticulé pour le raccordement de la canalisation d'eau du domicile au réfrigérateur; ils contribuent à éviter que l'eau ait un goût ou une odeur désagréable. Vérifier qu'il n'y a pas de fuites.
Si on utilise un tuyau en polyéthylène réticulé (PEX) au lieu d'un tuyau de cuivre, nous recommandons les suivants : PEX chemisé de 7 pi (2,14 m), PEX de 5 pi (1,52 m), ou PEX de 25 pi (7,62 m).
- Installer des tuyaux seulement là où les températures resteront au-dessus du point de congélation.

Outils requis :

Rassembler les outils et pièces nécessaires avant d'entreprendre l'installation.

- Tournevis à tête plate
- Clés plates de 7/16 po et 1/2 po ou 2 clés à molette
- Tourne-écrou de 1/4 po

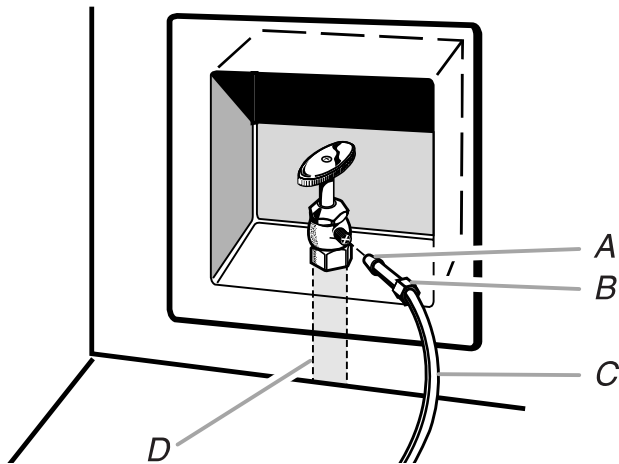
REMARQUE : Ne pas employer de robinet d'arrêt à étrier de 3/16 po (4,76 mm) ou de type à percer, car cela réduit le débit d'eau et augmente le risque d'obstruction.

Raccordement à la canalisation d'eau

IMPORTANT : Si le réfrigérateur est mis en marche avant de raccorder la canalisation d'eau, mettre la machine à glaçons à l'arrêt.

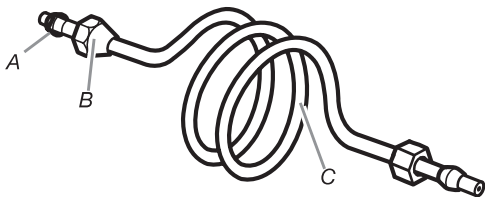
1. Débrancher le réfrigérateur ou déconnecter la source de courant électrique.
2. Couper l'alimentation principale en eau. Ouvrir le robinet le plus proche suffisamment longtemps pour réduire la pression de l'eau dans la canalisation d'eau.
3. Utiliser un robinet d'arrêt quart de tour ou équivalent alimenté par une canalisation d'alimentation domestique de 1/2 po.

REMARQUE : Pour que le réfrigérateur reçoive un débit d'eau suffisant, on recommande l'emploi d'une canalisation d'alimentation domestique en cuivre de 1/2 po (12,7 mm).



A. Bague C. Canalisation en cuivre (jusqu'au réfrigérateur)
B. Écrou D. Canalisation d'alimentation du domicile (1/2 po minimum)

4. Il est maintenant possible de connecter le tuyau en cuivre au robinet d'arrêt. Utiliser une canalisation en cuivre de 1/4 po (6,35 mm) pour raccorder le robinet d'arrêt au réfrigérateur.
- S'assurer d'avoir la longueur nécessaire pour une installation correcte. Il faut s'assurer que les deux extrémités du tuyau en cuivre sont bien coupées à angle droit.
 - Installer la bague et l'écrou à compression sur le tuyau en cuivre comme indiqué. Insérer l'extrémité du tuyau aussi profondément que possible dans l'extrémité de sortie et à l'équerre. Visser l'écrou de compression sur l'extrémité de sortie du raccord à l'aide d'une clé à molette. Ne pas serrer excessivement.



A. Bague de compression C. Canalisation en cuivre
B. Écrou de compression

5. Placer l'extrémité libre de la canalisation dans un contenant ou un évier et rétablir l'alimentation principale en eau pour nettoyer le tuyau jusqu'à ce que l'eau soit limpide. Fermer le robinet d'arrêt sur le tuyau d'alimentation en eau.

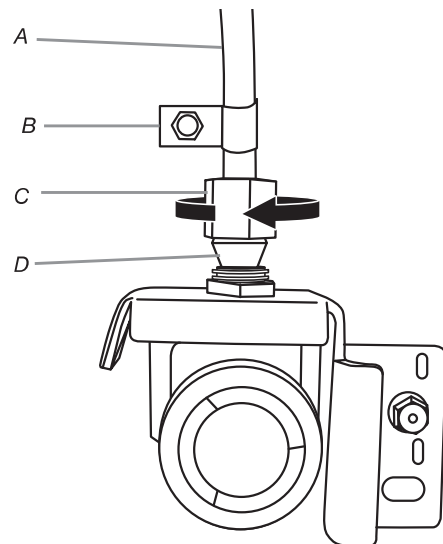
REMARQUE : Toujours vidanger le tuyau d'alimentation en eau avant de faire le raccordement final sur l'entrée du robinet pour éviter tout mauvais fonctionnement éventuel du robinet.

6. Courber le tuyau de cuivre de façon à le raccorder à l'arrivée de la canalisation d'eau située à l'arrière de la caisse du réfrigérateur, comme illustré. Laisser une partie du tube en cuivre enroulée pour permettre de dégager le réfrigérateur de l'armoire ou du mur en cas de dépannage.

Raccordement au réfrigérateur

Suivre les instructions relatives au modèle utilisé pour le raccordement.

1. Ôter le capuchon de plastique de l'orifice d'entrée d'eau. Raccorder le tube de cuivre au robinet d'arrivée d'eau à l'aide d'un écrou et d'une bague de compression, comme illustré. Serrer l'écrou de compression. Ne pas serrer excessivement. Vérifier la solidité du raccordement en tirant sur la canalisation en cuivre.
2. Créer une boucle de service avec le tube en cuivre. Éviter de déformer la canalisation en cuivre en l'enroulant. Fixer la canalisation en cuivre à la caisse du réfrigérateur à l'aide d'une bride « P ».



A. Canalisation en cuivre C. Écrou à compression
B. Bride « P » D. Bague de compression

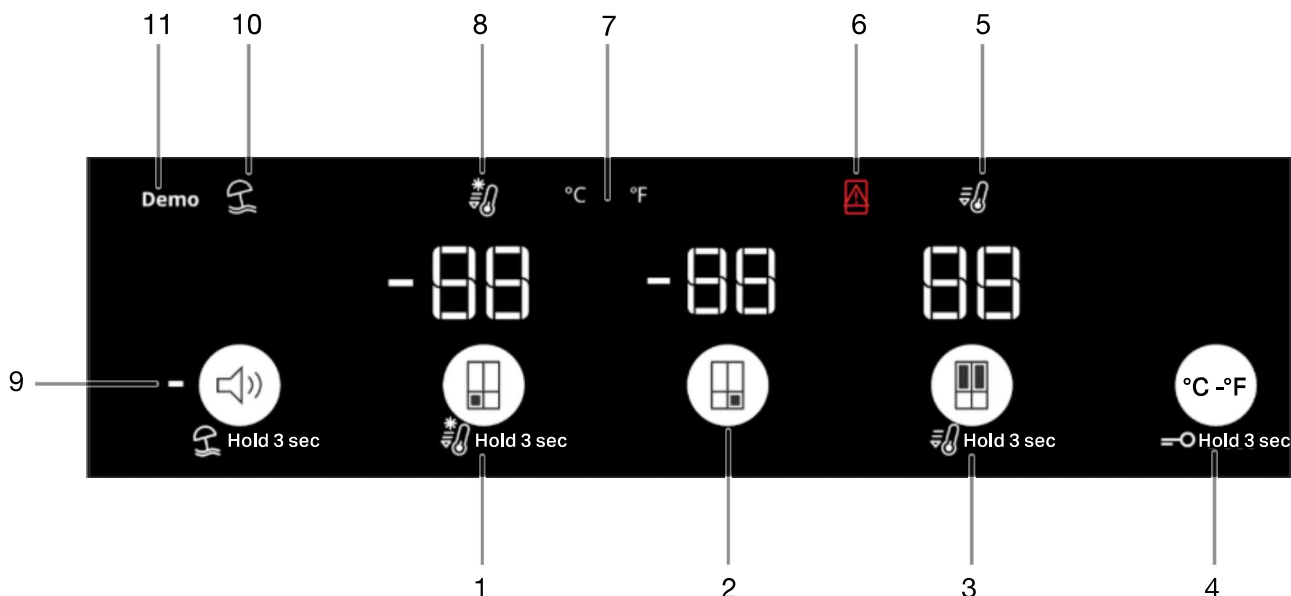
3. Ouvrir l'arrivée d'eau alimentant le réfrigérateur et vérifier l'absence de fuites. Éliminer toute fuite détectée.
4. Si des glaçons sont souhaités, mettre la machine à glaçons en marche.

Remarque : Prévoir un délai de 24 heures pour la production du premier lot de glaçons. Jeter les trois premiers lots de glaçons produits. Prévoir un délai de 3 jours pour le remplissage complet du bac d'entreposage.

UTILISATION DU RÉFRIGÉRATEUR

Utilisation des commandes

Les commandes tactiles sont situées sur la porte gauche du réfrigérateur. Le tableau de commande comprend des renseignements sur les différents boutons et témoins. Le témoin de température du réfrigérateur et du congélateur indique les derniers points de consigne de température.



1. BOUTON et TÉMOIN du congélateur [Maintenir enfoncé pendant 3 secondes pour activer l'option Fast Freeze (congélation rapide)]
2. BOUTON et Température multi compartiment à température multi
3. BOUTON et TÉMOIN du réfrigérateur [Maintenir enfoncé pendant 3 secondes pour activer l'option Fast Cool (refroidissement rapide)]
4. BOUTON de verrouillage et de Celsius/Fahrenheit
5. BOUTON et TÉMOIN de refroidissement rapide
6. Témoin de verrouillage
7. TÉMOIN Celsius/Fahrenheit
8. BOUTON et TÉMOIN de congélation rapide
9. BOUTON et TÉMOIN de son
10. TÉMOIN de mode vacances
11. TÉMOIN de mode de démonstration

Le panneau de commande s'éteindra automatiquement après une minute d'inactivité. Pour activer le tableau de commande, appuyer sur une touche.

Réglages du congélateur

Fonction	Température
Congélateur traditionnel	0°F, 1°F, 3°F, 5°F
Congélation élevée	-2 °F, -4 °F, -6 °F, -8 °F

- Congélation moyenne (10°F) : Aliments déjà surgelés.
- Congélation faible (20°F) : Aliments déjà surgelés
- Lorsque le compartiment température multi Freezer est réglé à 0°F ou -4°F, les températures du compartiment température multi Freezer et du congélateur refroidiront toutes les deux au réglage le plus froid entre les deux réglages.
- La température du compartiment température multi Freezer pourrait ne pas être capable d'atteindre 20°F lorsque la température ambiante se situe près de 50°F ou y est inférieure.

- 88 Réglage de portance multi-temp

La fonction température multi permet de permuer entre les réglages de température du compartiment Multi-Temp.

Fonction	Température
Congélateur traditionnel	0 °F, -2 °F, -4 °F
Congélation moyenne	10 °F
Congélation faible	19 °F

Pour activer/désactiver le réglage le plus froid (-20 °C), appuyer sur le bouton de réglage de la température multi Freeze pendant 3 secondes. Les trois icônes sont allumées lorsque le réglage le plus froid est activé.

Modifier le réglage de température multi

- Déverrouiller l'interface utilisateur. Consulter le point « Verrouillage des touches » pour obtenir les détails.
- Congélation traditionnelle (0°F) : Aliments déjà congelés et aliments frais.

Pour modifier les points de réglage de température, utiliser le tableau suivant comme guide :

CONDITION	RÉGLAGE DE LA TEMPÉRATURE
Réfrigérateur trop froid	Réfrigérateur Réglage 1° plus élevé
Réfrigérateur trop tiède	Réfrigérateur Réglage 1° plus bas
Congélateur trop froid	Congélateur Réglage 1° plus élevé
Congélateur trop tiède/ trop peu de glaçons	Congélateur Réglage 1° plus bas

- 88 Affichage et modification des points de réglage de température

Réglage de la température du compartiment des aliments frais et du congélateur :

À titre de commodité, les commandes du réfrigérateur et du congélateur sont préréglées à l'usine.

Lors de l'installation initiale du réfrigérateur, s'assurer que les commandes sont encore préréglées aux points de réglage recommandés. Les points de réglage recommandés à l'usine sont de 37°F pour le réfrigérateur et 0°F pour le congélateur.

Appuyer sur le bouton de température du réfrigérateur ou du congélateur pour commuter entre les points de réglage de température en Celsius (°C).

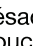
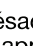
IMPORTANT :

- Attendre 24 heures avant d'ajouter des aliments dans le réfrigérateur. Si on ajoute des aliments avant que le réfrigérateur ne soit complètement refroidi, les aliments risquent de se gaspiller.
REMARQUE : Placer les points de réglage à un réglage plus froid que celui qui est recommandé ne refroidira pas les compartiments plus rapidement.
- Si la température est trop tiède ou trop froide dans le réfrigérateur ou le congélateur, vérifier d'abord les événements pour s'assurer qu'ils ne sont pas bloqués, avant de régler les commandes.
- Les réglages recommandés devraient être corrects pour une utilisation domestique normale. Les réglages sont faits correctement lorsque le lait ou le jus sont aussi froids que désiré et lorsque la crème glacée est ferme.
REMARQUE : Dans des zones comme un garage, un sous-sol ou un porche, la température peut être extrême ou le taux d'humidité supérieur à celui de votre domicile. Il peut s'avérer nécessaire de modifier la température à d'autres réglages que les réglages recommandés afin de s'adapter à ces conditions.
- Attendre au moins 24 heures entre chaque modification. Vérifier à nouveau les températures avant de procéder à d'autres modifications.


REMARQUE : Pour basculer entre les réglages de température Celsius et Fahrenheit, maintenir enfoncé les boutons Max Ice (production de glaçons maximale) et Max Cool (refroidissement maximal), l'affichage changera après 3 secondes.

Fast Cool (Refroidissement rapide)

La caractéristique de refroidissement rapide est utile lors de périodes d'utilisation intense du réfrigérateur, de l'ajout d'une grande quantité d'aliments ou de l'élévation temporaire de la température de la pièce.

- Déverrouiller l'interface utilisateur. Consulter le point « Verrouillage des touches » pour obtenir les détails.
- Pour désactiver la fonction de refroidissement rapide, appuyer sur la touche de température du réfrigérateur  pendant 3 secondes. Lorsque la caractéristique est activée, l'icône Fast Cool (refroidissement rapide) s'allume. La fonction de refroidissement rapide reste activée pendant 2 heures à moins d'être désactivée manuellement.
- Pour désactiver manuellement la fonction de refroidissement rapide, appuyer sur la touche de température du réfrigérateur  pendant 3 secondes. L'icône Fast Cool (refroidissement rapide) s'éteint lorsque cette caractéristique est désactivée.
- Le réglage de la température du réfrigérateur aura pour effet de désactiver automatiquement la fonction de refroidissement rapide.

Alarme de porte ouverte

- La fonction d'alarme de porte ouverte fait résonner une alarme et clignoter l'icône « Door Open » (porte ouverte)  lorsque l'une des quatre portes est ouverte pendant 5 minutes ou plus.
- L'alarme retentit toutes les 2 minutes. Fermer toutes les deux portes pour l'arrêter.



REMARQUE : Pour que l'alarme sonore cesse de retentir tout en gardant les portes ouvertes, comme pendant le nettoyage de l'intérieur du réfrigérateur, appuyer sur n'importe quel bouton du tableau de commande. Le son de l'alarme est temporairement désactivé, mais l'icône de porte ouverte reste affichée sur le tableau de commande.

Unité de température (°C ou °F)

- Déverrouiller l'interface utilisateur. Consulter le point « Verrouillage des touches » pour obtenir les détails.
- Maintenir enfoncé pendant 3 secondes les boutons « °C » et « °F » pour faire passer l'affichage des degrés Celsius aux degrés Fahrenheit

Fast Freeze (congélation rapide)

La quantité d'aliments frais (en kg) qui peuvent être congelés en 24 heures est indiquée sur la plaque signalétique de l'appareil.

- Déverrouiller l'interface utilisateur. Consulter le point « Verrouillage des touches » pour obtenir les détails.
- Appuyer sur le bouton de température du congélateur  pendant 3 secondes (jusqu'à ce que le témoin Fast Freeze [congélation rapide] s'allume), 30 heures avant de placer des aliments frais dans le congélateur. Après avoir placé des aliments frais dans le congélateur, 30 heures en mode de congélation rapide sont généralement suffisantes; après 50 heures, la fonction de congélation rapide se désactive automatiquement.
- Pour désactiver manuellement la fonction de congélation rapide, appuyer sur la touche de température du congélateur  pendant 3 secondes. L'icône Fast Freeze (congélation rapide) s'éteint.
- Le réglage de la température du congélateur aura pour effet de désactiver automatiquement la fonction de congélation rapide.

Total Coverage Cooling

Les événements multi-flux dirigent efficacement l'air frais et réfrigéré vers chaque étagère et chaque coin en s'assurant que chaque article est bien refroidi, peu importe où vous le stockez

Mode Vacation (vacances)

Ce mode est conçu pour empêcher votre appareil de consommer trop d'électricité pendant les périodes où il n'est pas régulièrement utilisé (p. ex., pendant les vacances).

En sélectionnant cette fonction, la température du compartiment des aliments frais est automatiquement placée à 12 C (30 F).

- Déverrouiller l'interface utilisateur. Consulter le point « Verrouillage des touches » pour obtenir les détails.
- Pour utiliser le mode Vacation (vacances), appuyer sur le bouton mode jusqu'à ce que le témoin du mode s'allume.
- Pour quitter le mode Vacances, appuyer sur le bouton mode jusqu'à ce que le témoin du mode s'éteigne.
- Le réglage de la température du réfrigérateur aura pour effet de désactiver automatiquement le mode vacances.

IMPORTANT : Si ce mode est sélectionné, les aliments et boissons doivent être enlevés du compartiment pour aliments frais.

Mode de démonstration

Ce mode est utilisé lorsque le réfrigérateur est exposé dans un magasin de détail ou si on souhaite désactiver le refroidissement et toutes les autres fonctions sauf l'éclairage intérieur.

Le mode de démonstration peut être utilisé pendant de longues vacances. Voir la section « Précautions à prendre pour les vacances ou le déménagement » pour en savoir plus sur la procédure à suivre pour laisser le réfrigérateur dans ce mode pendant des périodes prolongées.

- Déverrouiller l'interface utilisateur. Consulter le point « Verrouillage des touches » pour obtenir les détails.
- Si le mode de démonstration est activé, le mot « Demo (démonstration) » s'allume sur l'affichage.
- Accéder et quitter le mode de démonstration en appuyant simultanément sur les boutons Sound On ou OFF (son activé ou désactivé) et Lock (verrouillage) pendant 3 secondes.

🔊 Son ON/OFF (activé/désactivé)

- Déverrouiller l'interface utilisateur. Consulter le point « Verrouillage des touches » pour obtenir les détails.
- Appuyer sur le bouton pour activer/désactiver les tonalités des boutons de commande. Ceci ne touche pas l'alarme de porte ouverte.

—○ Verrouillage des touches

- Appuyer sur le bouton Lock (verrouillage) pendant 3 secondes pour activer la fonction de verrouillage.
- Pour désactiver le verrouillage, appuyer sur le bouton lock (verrouillage) pendant 3 secondes.

La fonction de verrouillage ignore toutes les interactions avec le tableau de commande jusqu'à ce que l'utilisateur déverrouille le panneau. Cette fonction est conçue pour empêcher une modification accidentelle des réglages.

Éclairage

Le réfrigérateur est muni d'une lampe intérieure qui s'allume chaque fois que la porte est ouverte.

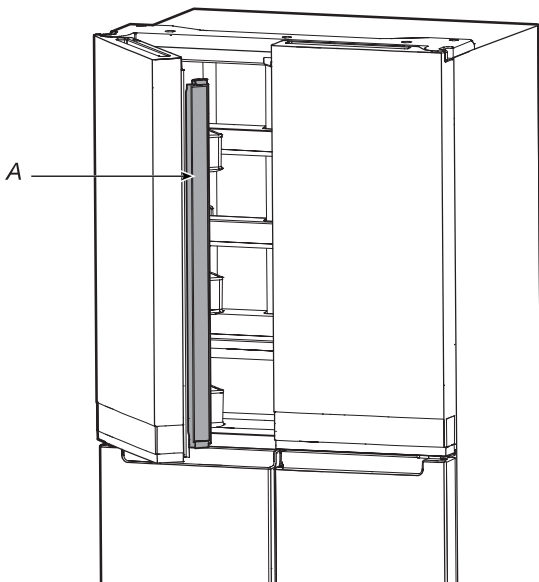
REMARQUE : La lampe est à DEL et n'a pas besoin d'être remplacée. Si la DEL ne s'allume pas quand on ouvre la porte, appeler le service de dépannage pour faire changer la lampe.

Ouverture et fermeture des portes

Il y a deux portes pour le compartiment des aliments frais. Les portes peuvent être ouvertes et fermées séparément ou ensemble. Il y a sur la porte de gauche du réfrigérateur un joint à charnière verticale.

- Lors de l'ouverture de la porte du côté gauche, le joint à charnière se replie automatiquement vers l'intérieur pour qu'il n'y ait pas d'interférence.
- Lorsque les deux portes sont fermées, le joint à charnière assure automatiquement l'étanchéité entre les deux portes.

REMARQUE : Le joint à charnière devrait être à la bonne position (plié vers l'intérieur) lorsque la porte est fermée. Si ce n'est pas le cas, il frappera la porte de droite ou l'axe de fixation.



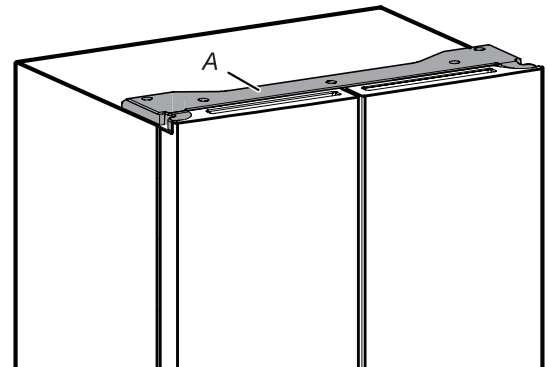
A. Joint à charnière

Le commutateur de la porte du compartiment des aliments frais est situé dans le coin supérieur gauche et le couvercle de la charnière de droite.

- Pour le congélateur et la compartiment de température multi, le commutateur est situé dans le montant du bas.

- Le commutateur de porte utilise un aimant pour capter l'ouverture et la fermeture de la porte.
- S'assurer qu'aucun aimant ou appareil électronique (enceinte, CoolVox®, etc.) ne se trouve à moins de 7,62 cm du couvercle-charnière.

REMARQUE : L'éclairage ne se met pas en marche s'il n'y a pas de détection d'ouverture de porte.



A. Couvercle-charnière

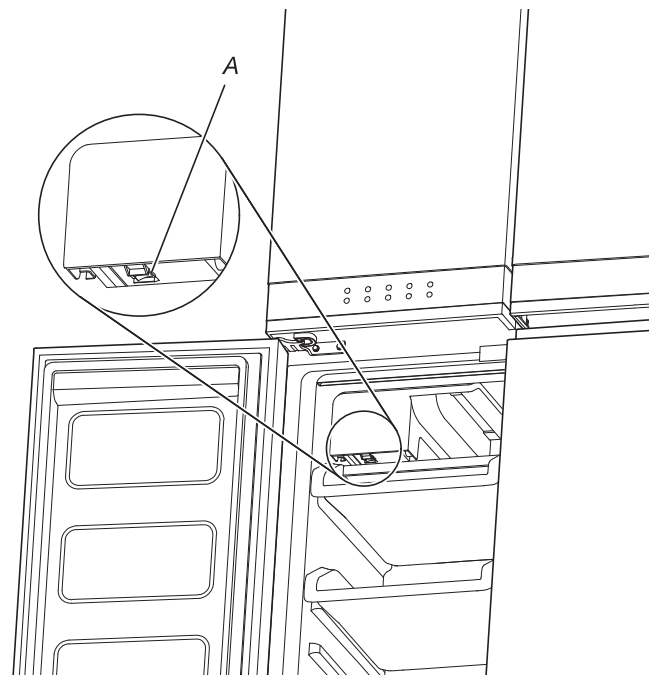
Machine à glaçons

Mise en marche/arrêt de la machine à glaçons

Mettre en marche la machine à glaçons en tournant le commutateur à la position On (marche).

REMARQUES :

- Le commutateur de la machine à glaçons est situé au bas de la machine à glaçons, comme illustré ci-dessous.



A. Commutateur de la machine à glaçons

- La machine à glaçons comporte un système d'arrêt automatique. Le détecteur arrête automatiquement la production de glaçons si le bac d'entreposage est plein, si la porte est ouverte. La commande restera en position de marche.
- Éteindre la machine à glaçons avant de retirer le bac d'entreposage pour servir des glaçons ou pour nettoyer le bac. Ceci empêchera les glaçons de tomber de la machine à glaçons et dans le compartiment de congélation. Après avoir remplacé le bac d'entreposage, mettre en marche la machine à glaçons.

Taux de production des glaçons

- Dans des conditions d'utilisation normales, votre machine à glaçons devrait produire environ 3 lb (1,4 kg) de glaçons par jour.

- Pour augmenter la production de glaçons, activer la fonction Fast Freeze (congélation rapide) à partir du tableau de commande. La machine à glaçons devrait produire environ 3,5 lb (1,6 kg) de glaçons par jour. Voir la section « Utilisation des commandes ».

Tablettes, Balconnets et Tiroirs

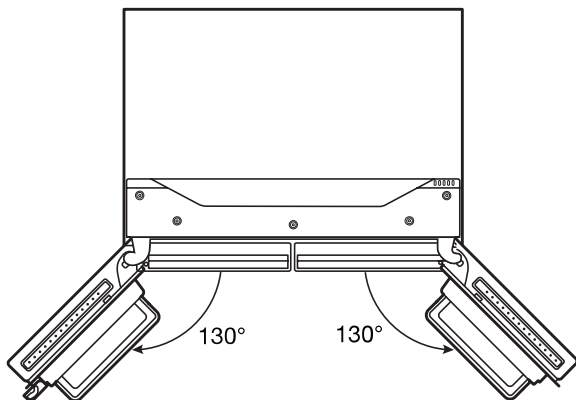
Importants renseignements à savoir au sujet des tablettes et des couvercles en verre :

Ne pas nettoyer les tablettes ou couvercles en verre avec de l'eau tiède quand ils sont froids. Les tablettes et les couvercles peuvent se briser s'ils sont exposés à des changements soudains de température ou à un impact tel que coup brusque. Le verre trempé est conçu pour éclater en d'innombrables pièces minuscules. Ceci est normal. Les tablettes et les couvercles en verre sont lourds. Les saisir à deux mains lors de leur dépose afin d'éviter de les faire tomber.

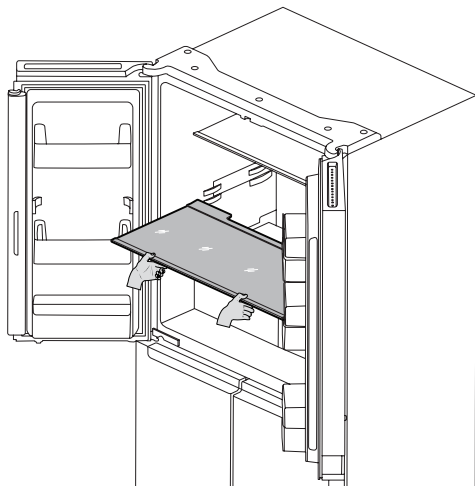
Ajustement de la hauteur de la tablette et tablettes et cadres de tablette

La hauteur des tablettes peut être ajustée en changeant leur position, des supports du bas aux supports du haut ou inversement.

- Ouvrez la porte latérale droite et la porte latérale gauche pour qu'elle s'ouvre complètement.



- Retirer l'étagère du réfrigérateur, puis la replacer à la position souhaitée.



- S'assurer que la tablette est convenablement remise en place sur ses supports.

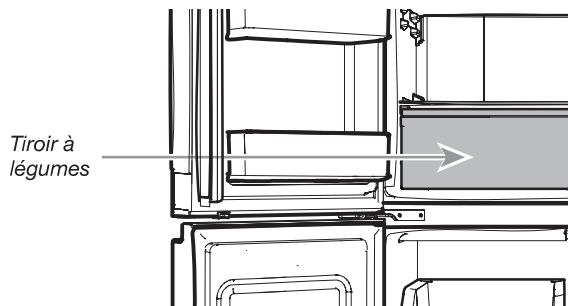
Les tablettes de réfrigérateur sont ajustables afin de s'adapter à vos besoins de rangement.

Afin de pouvoir trouver plus facilement l'article recherché, on peut remiser ensemble des aliments semblables dans le réfrigérateur et ajuster les tablettes pour les adapter aux différentes tailles d'articles. Ceci réduira également la durée d'ouverture de la porte du réfrigérateur et permettra d'économiser de l'énergie.

Pour enlever et réinstaller les tablettes :

1. Ouvrir complètement les portes de gauche et de droite.
2. Ôter la tablette du milieu ou supérieure en la soulevant pour la sortir des supports de tablette. Tirer ensuite sur la tablette et l'incliner en position verticale vers le bas. Incliner la tablette à un angle et la retirer du réfrigérateur.
3. Ôter la tablette du bas en la soulevant pour la sortir des supports de tablette. Tirer ensuite sur la tablette en l'inclinant à la verticale vers le haut. Incliner la tablette à un angle et la retirer du réfrigérateur.
4. Replacer la tablette du milieu et du haut en les plaçant dans le réfrigérateur en utilisant un angle et en maintenant l'avant de la tablette vers le bas. Soulever l'avant de la tablette vers le haut et la glisser vers l'intérieur jusqu'à ce que l'arrière de la tablette se place sur les supports de tablette. Abaisser l'avant de la tablette et s'assurer que la tablette est bien en position.
5. Replacer la tablette du bas en la plaçant dans le réfrigérateur en utilisant un angle, l'avant de la tablette vers le haut. Abaisser l'avant de la tablette et la glisser à l'intérieur jusqu'à ce que l'arrière de la tablette se place sur les supports de tablette. Abaisser l'avant de la tablette et s'assurer que la tablette est bien en position.

Tiroirs à légumes

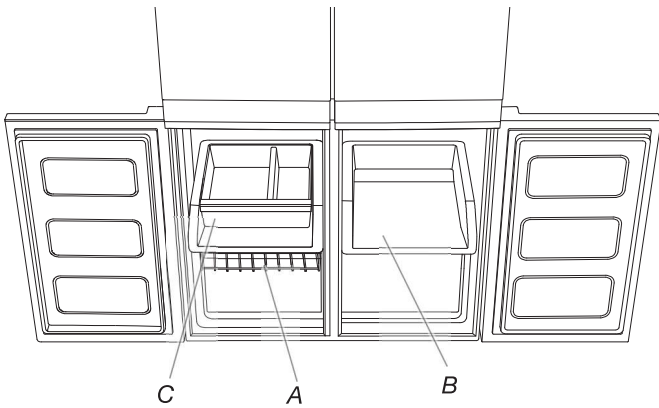


Enlever et réinstaller les tiroirs à légumes :

1. Ouvrir complètement les portes de gauche et de droite.
2. Saisir la poignée du tiroir à légumes et le tirer jusqu'à la butée. Soulever le tiroir à légumes hors des guides inférieurs.
3. Replacer le tiroir à légumes en le plaçant sur la glissière inférieure du tiroir à légumes et en le poussant au-delà de la butée d'arrêt du tiroir.

Bac à glaçons

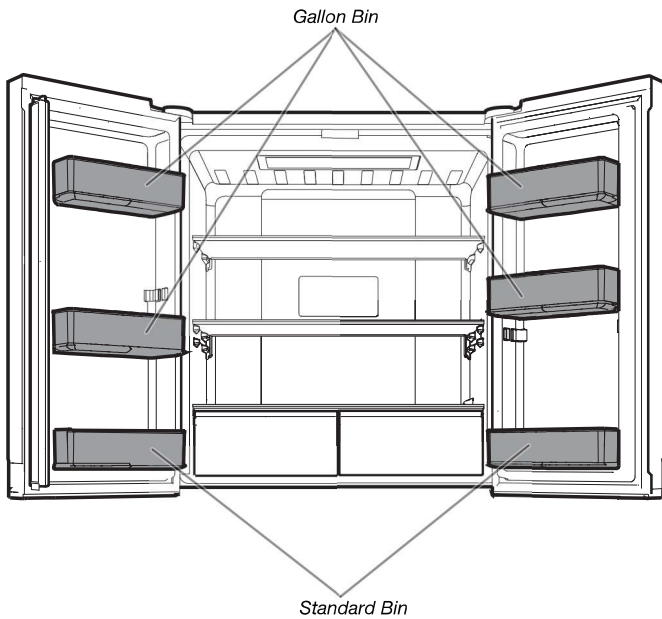
Stockage des glaçons de la machine à glaçons



- A. Panier amovible pleine largeur
- B. Tirez les étagères du congélateur
- C. Bac à glaçons

Balconnets du réfrigérateur

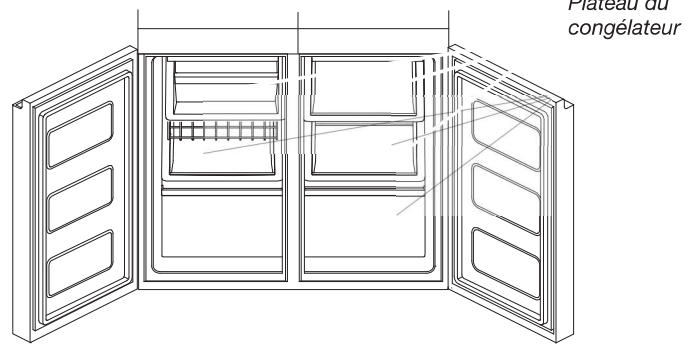
Les balconnets dans les portes du réfrigérateur sont ajustables afin de s'adapter à vos besoins de rangement.



- Le balconnet central peut être positionné à deux emplacements fixes. Pour retirer le balconnet, le tirer vers le haut en appliquant de la force sur les deux côtés du bas, où le balconnet est inséré dans les encoches de la porte. Installer dans l'autre position en l'abaissant jusqu'à ce que les encoches de la porte soient bien engagées dans le balconnet.
- Libérer de l'espace sur les étagères avec des bacs de porte de quatre gallons qui conviennent aux articles comme le lait de gallon

Compartiments de rangement du congélateur

Plateau du congélateur

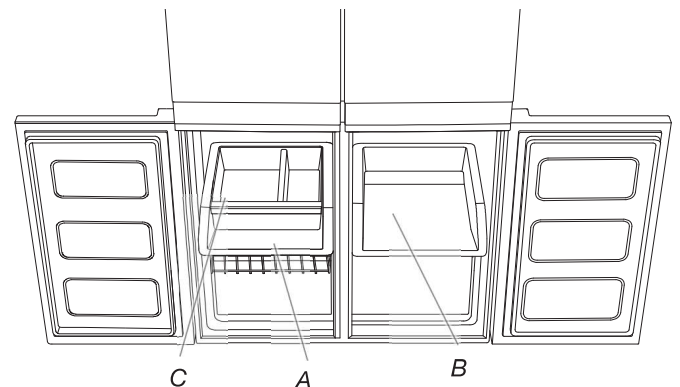


Stockez facilement les gros ou les petits articles dans les tablettes coulissantes du bac du congélateur.

NOTE: Pour ouvrir complètement les plateaux, veuillez vous référer à l'espace requis côté réfrigérateur pour ouvrir les portes à l'angle minimum requis. Trouvez des informations détaillées dans les "Instructions d'installation".

Panier amovible pleine largeur

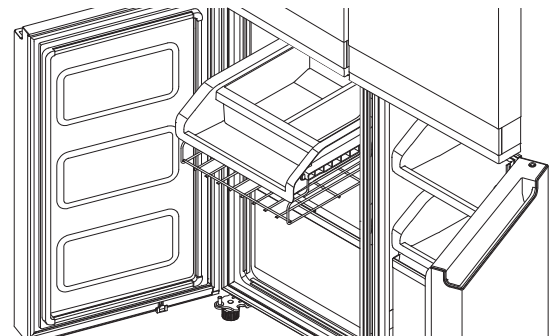
Le panier amovible pleine largeur est situé dans le congélateur, sous le plateau du bac à glaçons.



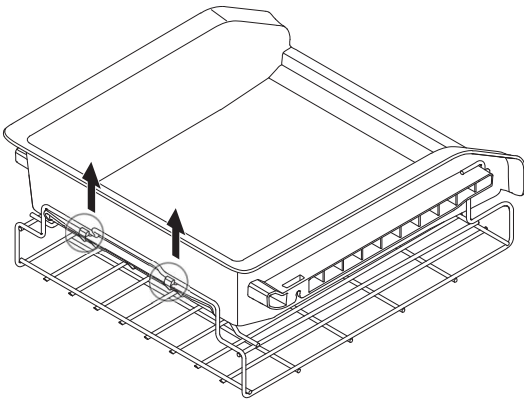
- A. Panier amovible pleine largeur
- B. Tirez les étagères du congélateur
- C. Bac à glaçons

Pour retirer le panier amovible pleine largeur :

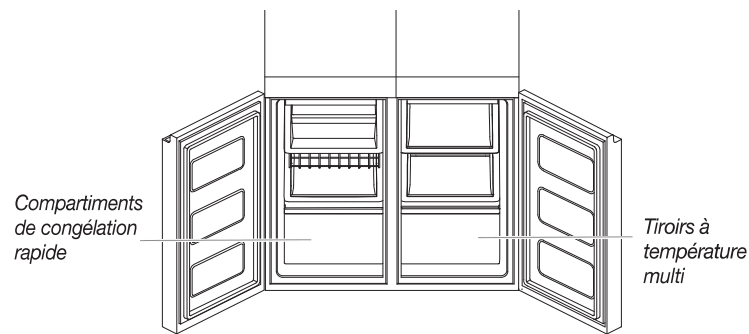
- Retirer le contenu du bac à glaçons et du panier amovible pleine largeur.
- Retirer le bac à glaçons du plateau de congélation.
- Retirer le plateau de congélation avec bac du congélateur en le tirant à l'extérieur.



- À l'arrière du plateau, tirer la broche vers le haut et l'arrière pour déloger grille du bac dans la région présentée dans l'illustration suivante.



Tiroirs du congélateur



NOTE: Pour ouvrir complètement les tiroirs, veuillez vous référer à l'espace requis côté réfrigérateur pour ouvrir les portes à l'angle minimum requis. Trouvez des informations détaillées dans les "Instructions d'installation".

Compartiment de congélation rapide

- Utilisez ces tiroirs pour congeler une grande quantité d'aliments frais ou cuisinés (de la meilleure façon ou de la façon la plus rapide).
- L'option de congélation rapide permet de ranger en toute sécurité et transparence vos aliments surgelés.

REMARQUE : La température du congélateur peut atteindre celle du compartiment Flexible Freezer lorsqu'elle est placée à un réglage plus chaud que celui du compartiment Flexible Freezer.

Compartiment à température multi

Le compartiment du congélateur à température multi permet de sélectionner l'un des quatre réglages de température de congélation : 20°F, 10°F, 0°F et -4°F pour fournir les meilleures conditions de rangement pour différents types d'aliments.

Pour obtenir une capacité de rangement maximum, il est possible d'enlever le tiroir du congélateur pour utiliser la tablette.

Pour retirer le tiroir supérieur :

1. Saisir la poignée du tiroir et le tirer jusqu'à la butée. Retirer le tiroir des guides inférieurs.
2. Replacer le tiroir en le plaçant sur la glissière inférieure du tiroir et en le poussant au-delà de la butée d'arrêt du tiroir.

Référence audio

Tonalités

Nom de tonalité	Exemples d'utilisation
Mise sous tension	Le système de refroidissement se met en marche dès que le produit est alimenté.
Touche à utiliser	L'utilisateur appuie sur une touche valide.
Invalide (erreur)	L'utilisateur appuie sur deux boutons valides ou plus en même temps. Le compte à rebours est interrompu pendant la pression des boutons.
Accès	Reconnaissance d'accès à un mode.
Sortie	Reconnaissance de sortie d'un mode.
Alerte	Avertissement de porte entrouverte.

Tableau de référence rapide seulement. Consulter la section correspondante pour plus de détails. En cas de différence, utiliser les renseignements de la section.

ENTRETIEN DU RÉFRIGÉRATEUR

Nettoyage

AVERTISSEMENT



Risque d'explosion

Utiliser un produit de nettoyage ininflammable.

Le non-respect de cette instruction peut causer un décès, une explosion ou un incendie.

Toutes les sections du réfrigérateur, du congélateur et du compartiment Flexi freeze se dégivrent automatiquement. Toutefois, nettoyer tous les compartiments environ une fois par mois pour éviter une accumulation d'odeurs. Essuyer les renversements immédiatement.

Style 1 – Acier inoxydable résistant aux traces de doigts

IMPORTANT : Ne pas exposer les électroménagers en acier inoxydable à des éléments caustiques ou corrosifs tels que le sel, un niveau élevé d'humidité ou des environnements très humides. Les dommages causés par l'exposition à de tels éléments ne sont pas couverts par la garantie.

UTILISER	NE PAS UTILISER
✓ Chiffon doux et propre	✗ Chiffons abrasifs ✗ Essuie-tout ou papier journal ✗ Tampon en laine d'acier
✓ Eau tiède et savonneuse avec détergent doux	✗ Poudres ou liquides abrasifs ✗ Nettoyants à vitre en atomiseurs ✗ Ammoniaque ✗ Nettoyants acides ou à base de vinaigre ✗ Nettoyants à four ✗ Liquides inflammables

REMARQUES :

- En cas de contact non intentionnel, nettoyer la pièce de plastique avec une éponge et un détergent doux dans de l'eau tiède. Sécher soigneusement avec un chiffon doux.
- Un nettoyant sous forme liquide ne signifie pas forcément qu'il n'est pas abrasif. Beaucoup de nettoyants liquides formulés pour nettoyer le carrelage et autres surfaces lisses en douceur peuvent tout de même endommager l'acier inoxydable.
- L'acide citrique décolore l'acier inoxydable de façon définitive.
- Afin d'éviter d'endommager le fini en acier inoxydable du réfrigérateur :
 - ✗ Moutarde
 - ✗ Jus de tomate
 - ✗ Sauce marinara
 - ✗ Sauces à base d'agrumes
 - ✗ Produits à base d'agrumes

Nettoyage de l'intérieur

IMPORTANT : Les tablettes du réfrigérateur ne sont pas lavables au lave-vaisselle.

1. Débrancher le réfrigérateur ou déconnecter la source de courant électrique.
2. Laver à la main, rincer et sécher les pièces amovibles et les surfaces internes soigneusement. Utiliser une éponge propre ou un linge doux et un détergent doux dans de l'eau tiède.

REMARQUE : Ne pas utiliser de nettoyants puissants ou abrasifs tels que les nettoyants à vitre en atomiseurs, nettoyants à récurer, liquides inflammables, cires nettoyantes, détergents concentrés, agents de blanchiment ou nettoyants contenant du pétrole sur les pièces en plastique, les garnitures intérieures et garnitures de portes ou sur les joints de portes.

3. Brancher le réfrigérateur ou reconnecter la source de courant électrique.

Condenseur

Ce réfrigérateur est muni de chaque côté de condenseurs par surface. Il est normal de sentir de la chaleur sur les côtés.

Lampes

Les lampes du compartiment pour aliments frais et du congélateur sont à DEL et n'ont pas besoin d'être remplacées. Si la lampe ne s'allume pas à l'ouverture de la porte, contacter le marchand chez qui le réfrigérateur a été acheté.

Précautions à prendre avant un déménagement

Longue période d'absence

Si le réfrigérateur est laissé en marche pendant une absence :

1. Consommer toutes les denrées périssables et congeler les autres articles.
2. Si le réfrigérateur comporte une machine à glaçons automatique et qu'il est raccordé à la source d'approvisionnement en eau du domicile, fermer la source d'approvisionnement en eau du réfrigérateur. Des dommages matériels peuvent subvenir si l'alimentation en eau n'est pas coupée.
3. Si votre machine à glaçons est automatique, éteindre la machine à glaçons.
 - Mettre le commutateur de la machine à glaçons de la porte sur arrêt (O).
4. Vider le bac à glaçons.

Si l'utilisateur choisit d'arrêter le réfrigérateur avant son absence :

REMARQUE : Placer le réfrigérateur en mode de démonstration lors d'une absence. Voir la section « Utilisation des commandes ».

1. Enlever tous les aliments du réfrigérateur.
2. Si le réfrigérateur est équipé d'une machine à glaçons automatique :
 - Fermer l'approvisionnement en eau de la machine à glaçons au moins un jour à l'avance.
 - Lorsque les derniers glaçons tombent, appuyer sur le commutateur de fermeture (O) pour éteindre l'affichage du haut, à l'intérieur du réfrigérateur, selon le modèle.
3. Vider le bac à glaçons.
4. Éteindre les commandes de température. Voir la section « Utilisation des commandes ».
5. Nettoyer le réfrigérateur, l'essuyer et bien le sécher.

6. À l'aide d'un ruban adhésif, placer des blocs de caoutchouc ou de bois dans la partie supérieure de chaque porte de façon à ce qu'elles soient suffisamment ouvertes pour permettre à l'air d'entrer et d'éviter l'accumulation d'odeur ou de moisissure.

Déménagement

En cas de déménagement et de déplacement du réfrigérateur dans une nouvelle habitation, suivre ces étapes pour préparer le déménagement.

1. Si le réfrigérateur est équipé d'une machine à glaçons automatique :
 - Fermer l'approvisionnement en eau de la machine à glaçons au moins un jour à l'avance.
 - Débrancher la canalisation d'eau de l'arrière du réfrigérateur.
 - Lorsque les derniers glaçons tombent, appuyer sur le commutateur (O) pour fermer la machine à glaçons de la porte ou les commandes, selon le modèle.
2. Retirer tous les aliments du réfrigérateur et placer tous les aliments congelés dans de la neige carbonique.
3. Vider le bac à glaçons.
4. Débrancher le réfrigérateur.
5. Bien nettoyer, essuyer et sécher.
6. Retirer toutes les pièces amovibles, bien les envelopper et les attacher ensemble avec du ruban adhésif pour qu'elles ne bougent et ne s'entrechoquent pas durant le déménagement.
7. Selon le modèle, soulever l'avant du réfrigérateur pour qu'il roule plus facilement ou soulever les pieds de nivellement pour qu'ils n'égratignent pas le plancher. Consulter la section « Ajustement des portes » ou « Fermeture et alignement des portes ».
8. Fermer les portes à l'aide de ruban adhésif et fixer le cordon d'alimentation à la partie arrière du réfrigérateur.

Lors de l'arrivée au nouveau domicile, remettre tout en place et consulter la section « Instructions d'installation » pour les instructions de préparation. Aussi, si le réfrigérateur comporte une machine à glaçons automatique, ne pas oublier de rebrancher l'approvisionnement en eau au réfrigérateur.



REFRIGERADOR DE FIJACIÓN INFERIOR Y PUERTAS FRANCESAS MANUAL DEL PROPIETARIO

Índice

SEGURIDAD DEL REFRIGERADOR	40
Cómo deshacerse adecuadamente de su refrigerador viejo.....	41
INSTRUCCIONES DE INSTALACIÓN	42
Cómo comenzar.....	42
Desembale el refrigerador.....	42
Requisitos de ubicación.....	43
Requisitos eléctricos.....	43
Cómo retirar y volver a colocar las puertas del refrigerador.....	44
Cómo quitar y volver a colocar la puerta del congelador.....	46
Nivelado del refrigerador.....	47
Requisitos de suministro de agua.....	47
Conexión del suministro de agua.....	47
USO DE SU REFRIGERADOR	49
Uso de los controles.....	49
Iluminación del refrigerador.....	51
Cómo abrir y cerrar las puertas.....	51
Estantes, Depósitos y Cajones.....	52
Compartimientos de almacenamiento del congelador.....	53
Referencia de audio.....	54
CUIDADO DEL REFRIGERADOR	55
Limpieza.....	55
Luces.....	56
Cuidados en caso de mudanza.....	56

SEGURIDAD DEL REFRIGERADOR

Su seguridad y la seguridad de los demás es muy importante.

Hemos incluido muchos mensajes importantes de seguridad en este manual y en su electrodoméstico. Lea y obedezca siempre todos los mensajes de seguridad.



Este es el símbolo de alerta de seguridad.

Este símbolo le llama la atención sobre peligros potenciales que pueden ocasionar la muerte o una lesión a usted y a los demás.

Todos los mensajes de seguridad irán a continuación del símbolo de advertencia de seguridad y de la palabra "PELIGRO" o "ADVERTENCIA". Estas palabras significan:

 **PELIGRO**

Si no sigue las instrucciones de inmediato, usted puede morir o sufrir una lesión grave.

 **ADVERTENCIA**

Si no sigue las instrucciones, usted puede morir o sufrir una lesión grave.

Todos los mensajes de seguridad le dirán el peligro potencial, le dirán cómo reducir las posibilidades de sufrir una lesión y lo que puede suceder si no se siguen las instrucciones.

INSTRUCCIONES IMPORTANTES DE SEGURIDAD

ADVERTENCIA: Para reducir el riesgo de incendio, choque eléctrico, o lesiones personales al usar su refrigerador siga estas precauciones básicas:

- Conecte a un contacto de pared de conexión a tierra de 3 terminales.
- No quite la terminal de conexión a tierra.
- No use un adaptador.
- No use un cable eléctrico de extensión.
- Desconecte el suministro de energía antes de darle servicio.
- Vuelva a colocar todos los componentes y paneles antes de hacerlo funcionar.
- Remueva las puertas de su refrigerador viejo.
- Use un limpiador no inflamable.
- No almacene ni use gasolina, líquidos inflamables ni gas cerca de éste o cualquier otro electrodoméstico. Los vapores pueden ocasionar incendios o explosiones.
- No guarde en este refrigerador sustancias explosivas, como latas en aerosol con propelente inflamable.
- No use ni coloque dispositivos eléctricos dentro de los compartimientos del refrigerador si no son del tipo expresamente autorizados por el fabricante.
- Use dos o más personas para mover e instalar el refrigerador.
- Desconecte el suministro de energía antes de instalar la fábrica de hielo (en aquellos modelos que incluyen el juego de instalación de la fábrica de hielo).
- Mantenga las aberturas de ventilación libres de obstrucciones en el nicho del refrigerador o la estructura incorporada.
- No utilice dispositivos mecánicos u otros medios para acelerar el proceso de descongelación que no sean los recomendados por el fabricante.
- No dañe el circuito de refrigeración.
- No use dispositivos eléctricos dentro de los compartimientos del refrigerador si el fabricante no lo recomienda.
- La línea de agua deben ser instaladas por un técnico de servicio calificado.
- Conecte solamente al suministro de agua potable.
- Use un vaso resistente para recibir hielo del despachador (en algunos modelos).
- Este aparato no ha sido diseñado para ser usado por personas (incluidos niños) con capacidad física, sensorial o mental reducida, o con falta de experiencia y conocimiento, a menos que lo hagan bajo supervisión o siguiendo las instrucciones relativas al uso del aparato, a cargo de una persona responsable por su seguridad.
- Los niños deberán estar bajo supervisión para asegurarse de que no jueguen con el electrodoméstico.
- Para evitar el riesgo de que los niños queden atrapados y se sofocuen, no les permita jugar ni esconderse dentro del refrigerador.
- Si se ha dañado el cable de suministro eléctrico, deberá ser reemplazado por el fabricante o por el agente de servicio del fabricante o por una persona con calificación similar.
- Este refrigerador está diseñado para uso residencial y electrodomésticos similares como:
 - Cocinas para áreas de empleados en tiendas, oficinas y otros entornos de trabajo.
 - Hotel rural u hoteles, moteles y otros tipos de entornos residenciales.
 - Entornos tipo cama y desayuno.
 - Catering y aplicaciones no comerciales similares.

CONSERVAR ESTAS INSTRUCCIONES

Cómo deshacerse adecuadamente de su refrigerador viejo

PELIGRO: Existe el riesgo de que los niños puedan quedar atrapados. Antes de desechar su viejo refrigerador o congelador:

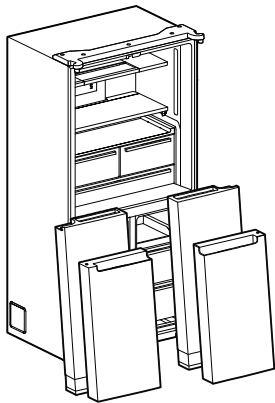
- Retire las puertas.
- Deje los estantes en su lugar así los niños no pueden meterse adentro con facilidad.

⚠ ADVERTENCIA

Peligro de Asfixia

Remueva las puertas de su refrigerador viejo.

No seguir esta instrucción puede ocasionar la muerte o daño al cerebro.



IMPORTANTE: Los niños que quedan atrapados y la asfixia no son problemas del pasado. Los refrigeradores tirados y abandonados igual constituyen un peligro, incluso si van a quedar ahí “por unos pocos días”. Si está por deshacerse de su refrigerador viejo, siga las instrucciones que ofrecemos a continuación para prevenir accidentes.

Información importante para saber acerca del desecho de refrigerantes:

Deshágase del refrigerador siguiendo los reglamentos federales y locales. Los refrigerantes deberán ser evacuados por un técnico certificado en refrigeración por EPA (Agencia de protección del medioambiente) según los procedimientos establecidos.

INSTRUCCIONES DE INSTALACIÓN

Cómo comenzar

LISTA DE VERIFICACIÓN DE LA INSTALACIÓN

✓ Suministro eléctrico

⚠ ADVERTENCIA



Peligro de Choque Eléctrico

Conecte a un contacto de pared de conexión a tierra de 3 terminales.

No quite la terminal de conexión a tierra.

No use un adaptador.

No use un cable eléctrico de extensión.

No seguir estas instrucciones puede ocasionar la muerte, incendio o choque eléctrico.

- Enchufe el refrigerador en un contacto con conexión a tierra.

✓ Puertas

- Si necesita retirar las puertas durante la instalación, consulte las secciones "Cómo retirar y volver a colocar las puertas del refrigerador" y "Cómo retirar y volver a colocar las puertas delanteras del congelador".
- Las puertas tienen un cierre hermético completo.
- El refrigerador está nivelado. Ajuste los pies de nivelación para que queden bien apoyados contra el suelo.
- Las puertas están parejas en la parte superior. (Use la característica de alineamiento de las puertas si es necesario).

✓ Revisiones finales

- Extraiga todo el material de transporte.
- Fije los controles de temperatura en el ajuste recomendado.
- Guarde las instrucciones y otros materiales impresos.
- Para recibir asistencia más completa, registre su producto en www.whirlpool.com.

Desembale el refrigerador

⚠ ADVERTENCIA

Peligro de Peso Excesivo

Use dos o más personas para mover e instalar el refrigerador.

No seguir esta instrucción puede ocasionar una lesión en la espalda u otro tipo de lesiones.

Entrega del refrigerador

Se requiere una apertura mínima de la puerta de 838 mm (33"). Si la apertura de la puerta es de 914 mm (36") o menos, entonces será necesario retirar las puertas, estantes y bisagras. Traslade el refrigerador por el lado de las aperturas de puerta.

Cómo mover su refrigerador:

Su refrigerador es pesado. Cuando mueva el refrigerador para limpiarlo o para darle servicio, cerciórese de cubrir el piso con cartón o madera para evitar daños en el mismo. Al mover el refrigerador, siempre tire directamente hacia afuera. No menee el refrigerador de lado a lado ni lo haga "caminar" cuando lo trate de mover ya que podría dañar el piso.

Cómo retirar el material de embalaje

- Quite los restos de cinta y pegamento de las superficies de su refrigerador antes de encenderlo. Frote un poco de detergente líquido para vajilla sobre el adhesivo con los dedos. Limpie con agua tibia y seque.
- No use instrumentos filosos, alcohol para fricciones, líquidos inflamables o limpiadores abrasivos para eliminar los restos de cinta o de adhesivo. Esos productos pueden dañar la superficie de su refrigerador.
- Deseche o recicle todo el material de embalaje.

Limpieza antes del uso

Después de quitar todo el material de embalaje, limpie el interior del refrigerador antes de usarlo. Vea las instrucciones de limpieza en la sección "Cuidado de su refrigerador".

Información importante para saber acerca de los estantes y tapas de vidrio:

No limpie los estantes y tapas de vidrio con agua caliente mientras están fríos. Los estantes y tapas pueden romperse si se exponen a cambios bruscos de temperatura o impacto, como sería un golpe brusco. El vidrio templado se ha diseñado para hacerse añicos. Esto es normal. Los estantes y tapas de vidrio son muy pesados. Use ambas manos al sacarlos para evitar que se caigan.

Requisitos de ubicación

⚠ ADVERTENCIA



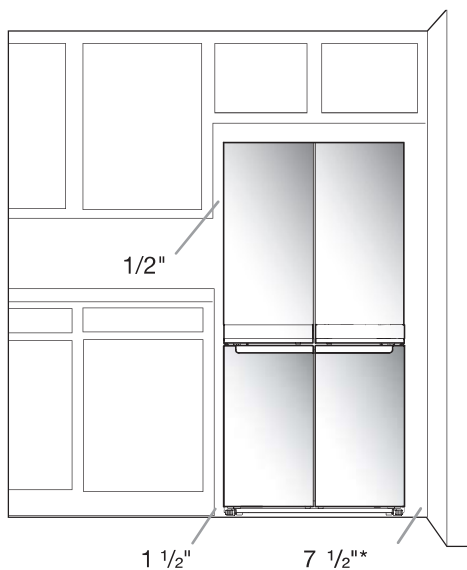
Peligro de Explosión

Mantenga los materiales y vapores inflamables, tales como gasolina, alejados del refrigerador.

No seguir esta instrucción puede ocasionar la muerte, explosión, o incendio.

Para asegurar la adecuada ventilación para su refrigerador, deje un espacio de 1/2" a cada lado y por encima. Deje un espacio de 1,97" detrás del refrigerador. Si el refrigerador tiene fábrica de hielo, asegúrese de que haya espacio adicional detrás para las conexiones de la línea de agua. Cuando instale el refrigerador próximo a una pared fija, deje un espacio mínimo de 3,74" entre el refrigerador y la pared, para permitir que la puerta se abra bien.

NOTA: El refrigerador está diseñado para usarse en un lugar donde la temperatura varíe de un mínimo de 50 °F (10 °C) a un máximo de 110 °F (43 °C). El rango de temperatura ambiental preferido para un rendimiento óptimo, que reduce el uso de electricidad y ofrece un enfriamiento superior, es de entre 60 °F (15 °C) y 90 °F (32 °C). Se recomienda que no instale el refrigerador cerca de una fuente de calor, como un radiador u horno.



* Espacio requerido para abrir las puertas en un ángulo de 112 y para abrir las parrillas y cajones en los compartimientos inferiores.

Requisitos eléctricos

⚠ ADVERTENCIA



Peligro de Choque Eléctrico

Conecte a un contacto de pared de conexión a tierra de 3 terminales.

No quite la terminal de conexión a tierra.

No use un adaptador.

No use un cable eléctrico de extensión.

No seguir estas instrucciones puede ocasionar la muerte, incendio o choque eléctrico.

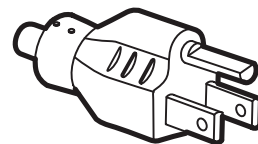
IMPORTANTE: La instalación y la conexión eléctrica deberán llevarse a cabo por parte de un técnico competente, siguiendo las instrucciones del fabricante y cumpliendo con los reglamentos locales de seguridad.

- El refrigerador ha sido diseñado para funcionar en un circuito separado de 115 V, 60 Hz, 15 A o 20 A con suministro eléctrico con conexión a tierra.
- Cerciórese de que el voltaje especificado en la placa de clasificación corresponda con el de su hogar.
- Deberá ser posible desconectar el aparato del suministro de energía desenchufándolo o por medio de un interruptor de dos terminales instalado arriba del casquillo.
- Si se ha dañado el cable de suministro de energía, deberá ser reemplazado por el fabricante, el agente de servicio o una persona similarmente calificada con el fin de evitar riesgos.

Antes de mover el refrigerador a su ubicación final, es importante asegurarse de tener la conexión eléctrica adecuada.

Método recomendado de conexión a tierra

Se requiere una fuente de energía eléctrica de 115 V, 60 Hz., CA solamente y con fusibles de 15 o 20 A, debidamente conectados a tierra.



NOTA: Se recomienda proporcionar un circuito de alimentación separado que preste servicio solo al refrigerador y a los accesorios aprobados. Use un tomacorriente que no se pueda apagar con un interruptor. No use un cable eléctrico de extensión

Cómo retirar y volver a colocar las puertas del refrigerador

NOTA: Mida el ancho de la abertura de la puerta para averiguar si es necesario retirar las puertas del refrigerador para ingresarlo a su hogar. Si es necesario quitar las puertas, vea las instrucciones a continuación.

IMPORTANTE: Si el refrigerador se instaló previamente y lo va a sacar de la casa, apáguelo antes de comenzar a retirar las puertas. Desenchufe el refrigerador o desconecte el suministro de energía. Retire los alimentos y los cajones ajustables o de uso múltiple de las puertas.

Reúna las herramientas necesarias y lea todas las instrucciones antes de quitar las puertas.

HERRAMIENTAS NECESARIAS: Llave Allen de 6 mm, llave Allen de 5 mm y destornillador Phillips #2.



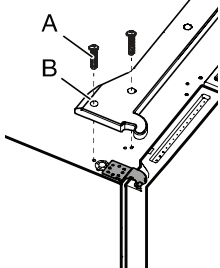
⚠ ADVERTENCIA

Peligro de Choque Eléctrico

Desconecte el suministro de energía antes de sacar las puertas.

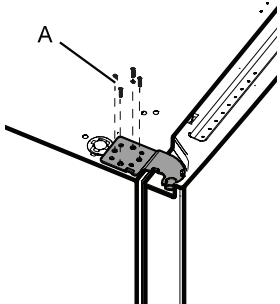
No seguir esta instrucción puede ocasionar la muerte o choque eléctrico.

Cubierta de la bisagra superior izquierda



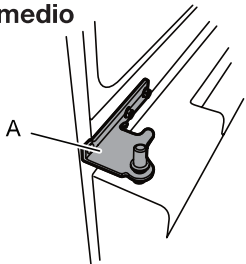
- A. Tornillos de la cubierta de la bisagra superior
- B. Cubierta de la bisagra superior

Bisagra superior izquierda



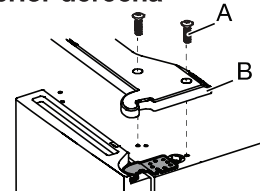
- A. Tornillos Allen de 5 mm

Bisagra izquierda del medio



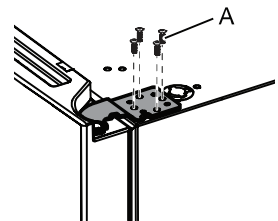
- A. Bisagra

Cubierta de la bisagra superior derecha



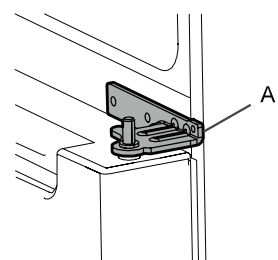
- A. Tornillos de la cubierta de la bisagra superior
- B. Cubierta de la bisagra superior

Bisagra superior derecha



- A. Tornillos Allen de 5 mm

Bisagra del medio derecha



- A. Bisagra

⚠ ADVERTENCIA

Peligro de Peso Excesivo

Use dos o más personas para levantar la puerta del refrigerador.

No seguir esta instrucción puede ocasionar una lesión en la espalda u otro tipo de lesiones.

Cómo quitar las puertas del refrigerador

⚠ ADVERTENCIA



Peligro de Choque Eléctrico

Desconecte el suministro de energía antes de sacar las puertas.

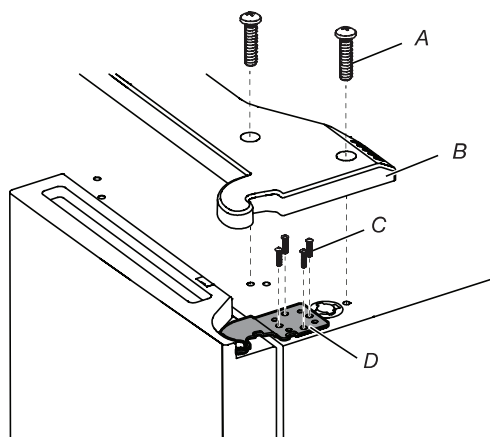
No seguir esta instrucción puede ocasionar la muerte o choque eléctrico.

Cómo quitar la puerta del lado derecho

1. Desenchufe el refrigerador o desconecte el suministro de energía.
2. Mantenga las puertas del refrigerador cerradas hasta que esté listo para levantarlas y quitarlas del gabinete.

NOTA: Mientras retira las bisagras, siempre disponga de un soporte adicional para la puerta del refrigerador. No confíe en que los imanes de la junta de la puerta van a sostenerla en su lugar mientras trabaja.

3. Use un destornillador Phillips para quitar la cubierta de la bisagra superior.
4. Con una llave Allen de 5 mm, retire los cuatro tornillos de la bisagra superior y déjelos a un lado.



A. Tornillo de la cubierta de la bisagra superior

B. Cubierta de la bisagra superior

C. Tornillos Allen de 5 mm

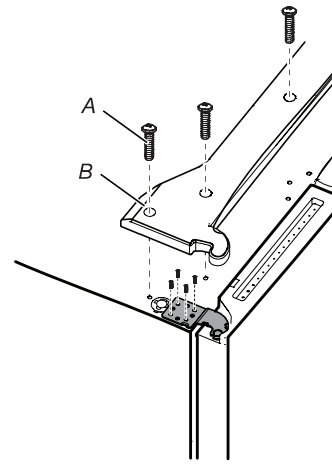
D. Bisagra superior

5. Levante la puerta del refrigerador para retirarla del pasador de la bisagra del medio. La bisagra superior se saldrá junto con la puerta.

Cómo retirar la puerta del lado izquierdo

IMPORTANTE: El cableado para la interfaz de usuario pasa a través de la bisagra de la puerta del lado izquierdo, de modo que lo debe desconectar antes de quitar la puerta.

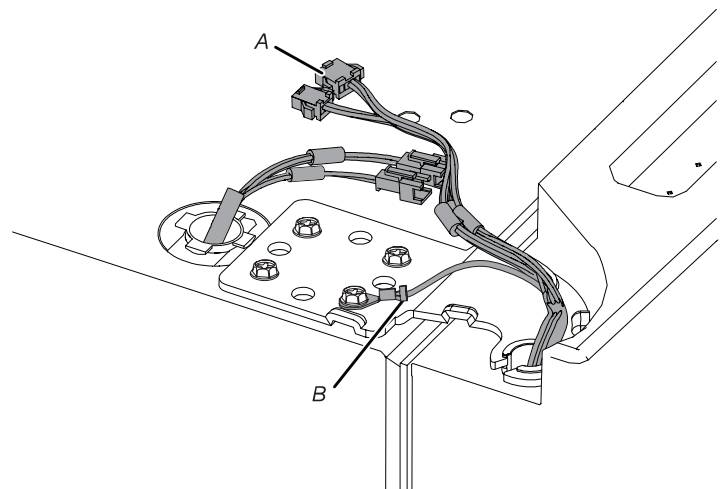
1. Use un destornillador Phillips para quitar la cubierta de la bisagra superior.



A. Tornillo de la cubierta de la bisagra superior

B. Cubierta de la bisagra superior

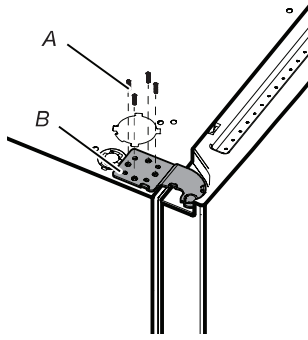
2. Desconecte los dos enchufes de cableado que están en la parte superior de la bisagra de la puerta.
 - Sujete cada lado de los enchufes de cableado. Con el pulgar izquierdo presione hacia abajo para liberar el seguro y jale las secciones del enchufe para separarlas.



A. Enchufe de cableado

B. Conector a tierra

3. Con una llave de 5 mm, retire los cuatro tornillos internos de la bisagra superior y déjelos a un lado.



A. Tornillos Allen de 5 mm
B. Bisagra superior

NOTA: Mientras retira las bisagras, siempre disponga de un soporte adicional para la puerta del refrigerador. No confíe en que los imanes de la junta de la puerta van a sostenerla en su lugar mientras trabaja.

4. Levante la puerta del refrigerador para retirarla del pasador de la bisagra inferior. La bisagra superior se saldrá junto con la puerta.

NOTA: Quizá no sea necesario quitar las bisagras inferiores y los conjuntos de patas con freno para hacer pasar el refrigerador por una puerta.

- Solo si es necesario, use una llave Allen de 6 mm y un destornillador Phillips #2 para retirar la bisagra del medio.

Cómo volver a colocar la puerta del lado derecho del refrigerador

1. Coloque la puerta del lado derecho sobre el pasador de la bisagra del medio.
2. Inserte el pasador de la bisagra superior en el orificio abierto de la parte superior de la puerta del refrigerador.
3. Con cuatro tornillos Allen de 5 mm fije la bisagra al gabinete. No apriete los tornillos completamente.

Cómo volver a colocar la puerta del lado izquierdo del refrigerador

1. Coloque la puerta del lado izquierdo sobre el pasador de la bisagra del medio.
2. Con cuatro tornillos Allen de 5 mm fije la bisagra al gabinete. No apriete los tornillos completamente.
3. Vuelva a conectar el cableado eléctrico.
 - Empuje y una las dos secciones del enchufe de cableado.
 - Vuelva a conectar el cable a tierra al tornillo de la bisagra.

Pasos finales

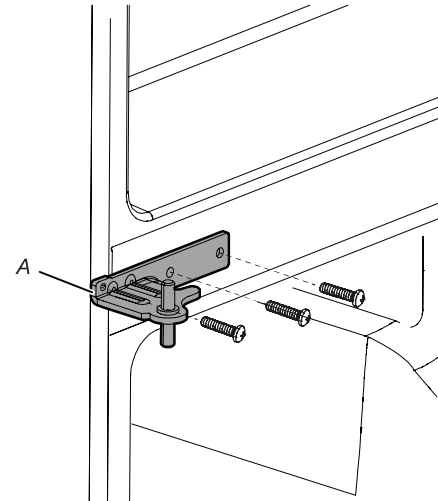
1. Apriete completamente los ocho tornillos Allen de 5 mm.
2. Vuelva a colocar las cubiertas de la bisagra superior.

Cómo quitar y volver a colocar la puerta del congelador

1. Mantenga las puertas del congelador cerradas hasta que esté listo para levantarlas y quitarlas del gabinete.

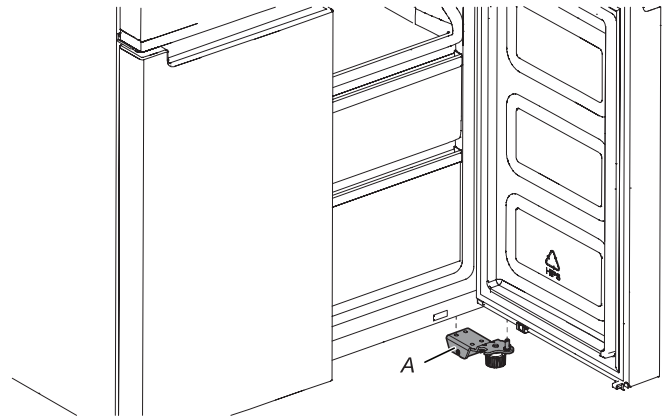
NOTA: Mientras retira las bisagras, siempre disponga de un soporte adicional para la puerta del congelador. No dependa de los imanes de la junta de las puertas para sostener la puerta en su lugar mientras trabaja.

- Con un destornillador Phillips #2 y una llave Allen de 6 mm, retire la bisagra del medio del gabinete.



A. Bisagra del medio

- Levante y saque la puerta del congelador del pasador inferior de la bisagra.



A. Bisagra inferior

Pasos finales

⚠ ADVERTENCIA



Peligro de Choque Eléctrico

Conecte a un contacto de pared de conexión a tierra de 3 terminales.

No quite la terminal de conexión a tierra.

No use un adaptador.

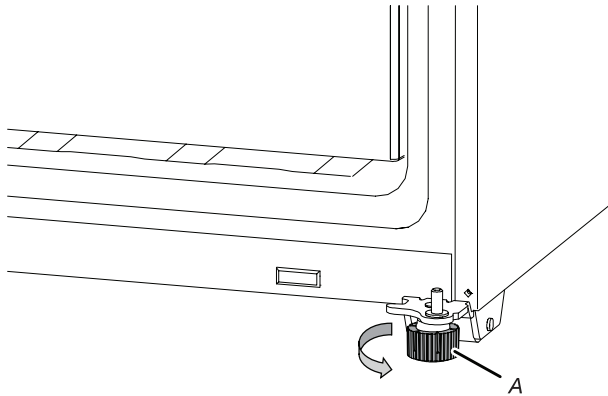
No use un cable eléctrico de extensión.

No seguir estas instrucciones puede ocasionar la muerte, incendio o choque eléctrico.

1. Enchufe en un contacto con conexión a tierra.
2. Vuelva a colocar todas las piezas desmontables y los alimentos en los cajones.

Nivelado del refrigerador

1. Mueva el refrigerador hacia su ubicación final.
2. Con la mano, gire los pies de soporte. Gírelos en sentido antihorario hasta que los rodillos queden separados del piso y ambos pies de soporte estén apretados contra el piso. Esto evita que el refrigerador se balancee hacia adelante al abrir las puertas.



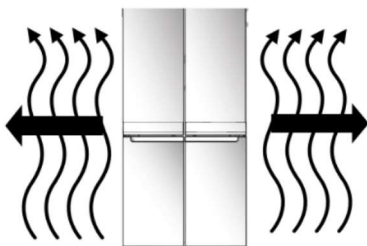
A. Pies de soporte

IMPORTANTE: Si necesita hacer otros ajustes con las patas con freno, deberá girarlas por igual para mantener nivelado el refrigerador.

3. Con un nivel, cerciórese de que el refrigerador esté nivelado de lado a lado y del frente hacia la parte posterior.

Información sobre superficies que liberan calor

- El calor que se siente a la derecha y a la izquierda del gabinete es normal para esta tecnología de enfriamiento.



Requisitos de suministro de agua

Se necesita un suministro de agua fría con presión de agua de entre 20 psi y 145 psi (1,4 bar y 10 bar) para hacer funcionar el dosificador de agua y la fábrica de hielo. Si tiene preguntas acerca de la presión del agua, llame a un plomero competente matriculado.

NOTA: Si la presión de agua es menor que lo requerido, el flujo de agua del despachador de agua podría disminuir o los cubos de hielo podrían ser huecos o de tamaño irregular.

Suministro de agua por ósmosis inversa

IMPORTANTE: la presión del suministro de agua que sale de un sistema de ósmosis inversa y suministra a la válvula de entrada de agua del refrigerador debe ser entre 20 psi y 145 psi (1,4 bar y 10 bar).

Si el sistema de filtrado de agua por ósmosis inversa está conectado al suministro de agua fría doméstico, la presión de agua para el sistema de ósmosis inversa debe ser entre 40 psi y 60 psi (276 y 414 kPa).

- Fíjese si el filtro de sedimentos del sistema de ósmosis inversa está bloqueado. Reemplácelo si es necesario.
- Deje que se vuelva a llenar el tanque de almacenaje del sistema de ósmosis inversa después del uso intenso. La capacidad del tanque podría ser demasiado pequeña para cumplir con los requisitos del refrigerador.
NOTA: No se recomiendan los sistemas de ósmosis inversa para montar en el grifo.
- Si el refrigerador tiene un filtro de agua, puede reducir la presión aún más si se usa junto con un sistema de ósmosis inversa. Quite el filtro de agua. Consulte la sección "Sistema de filtración de agua".

Si tiene preguntas acerca de la presión del agua, llame a un plomero competente matriculado.

Conexión del suministro de agua

Lea todas las instrucciones antes de comenzar.

IMPORTANTE:

- Conecte solamente al suministro de agua potable.

No use con agua que no sea microbiológicamente segura o que sea de calidad desconocida sin desinfectarla adecuadamente antes o después del sistema. Pueden usarse sistemas certificados para la reducción de quistes en aguas desinfectadas que puedan contener quistes filtrables.

- La plomería se debe instalar de acuerdo con el Código internacional de plomería y cualquier norma y ordenanza local.
- Las conexiones de tuberías de cobre y polietileno reticulado (PEX) de la línea de agua doméstica al refrigerador son aceptables y ayudarán a evitar el mal sabor o mal olor en el hielo o el agua. Revise si hay fugas.

Si se usa tubería de PEX en lugar de cobre, recomendamos lo siguiente: 7 pies (2,14 m) de PEX revestido, 5 pies (1,52 m) de PEX o 25 pies (7,62 m) de PEX.

- Instale la tubería solo en áreas donde la temperatura va a permanecer por encima del punto de congelación.

Herramientas necesarias:

Reúna las herramientas y las piezas necesarias antes de comenzar la instalación.

- Destornillador de cabeza plana
- Llaves de extremo abierto de 7/16" y 1/2" o 2 llaves ajustables
- Sacatuercas de 1/4"

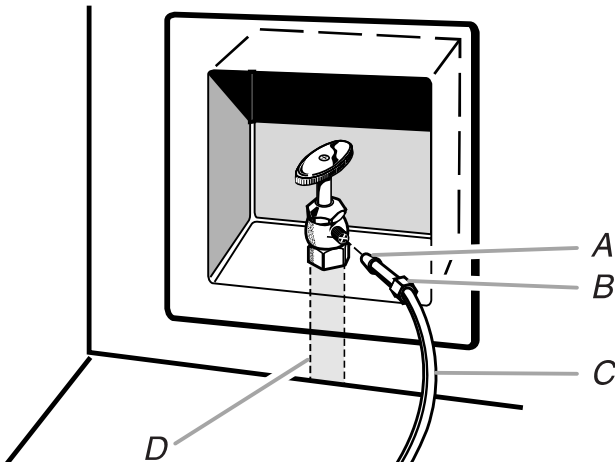
NOTA: No use una válvula perforadora o una válvula de montura de 3/16" (4,76 mm) que reduce el flujo de agua y se obstruye con mayor facilidad.

Conexión a la línea de agua

IMPORTANTE: Si encendió el refrigerador antes de conectar el agua, apague la fábrica de hielo.

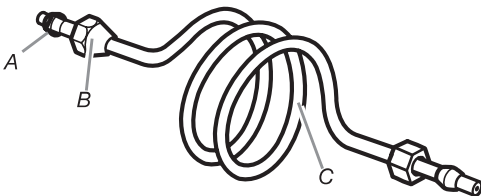
1. Desenchufe el refrigerador o desconecte el suministro de energía.
2. Cierre el suministro principal de agua. Encienda el grifo más cercano el tiempo suficiente para reducir la presión de agua en el tubo de agua.
3. Use una válvula de cierre de un cuarto de vuelta o una equivalente, abastecida por una línea de suministro doméstico de 1/2".

NOTA: Recomendamos una línea de suministro doméstica de 1/2" (12,7 mm) como mínimo, para que sea suficiente el flujo de agua al refrigerador.



A. Manguito B. Tuerca C. Tubería de cobre (al refrigerador) D. Línea de suministro doméstica (1/2" como mínimo)

4. Ahora está listo para conectar la tubería de cobre a la válvula de cierre. Use tubos de cobre de 1/4" (6,35 mm) diámetro externo (DE) para conectar la válvula de cierre y el refrigerador.
- Asegúrese de tener la longitud adecuada necesaria para el trabajo. Asegúrese de que ambos extremos de la tubería de cobre estén cortados a escuadra.
 - Deslice el manguito de compresión y la tuerca de compresión sobre la tubería de cobre como se muestra. Inserte el extremo de la tubería en el extremo de salida a escuadra tanto como sea posible. Atornille la tuerca de compresión al extremo de salida con una llave de tuercas ajustable. No ajuste demasiado.



A. Manguito de compresión B. Tuerca de compresión C. Tubería de cobre

5. Coloque el extremo libre de la tubería en un recipiente o un fregadero, abra el suministro principal de agua y deje correr el agua por la tubería hasta que el agua salga limpia. Cierre la válvula de cierre del tubo de agua.

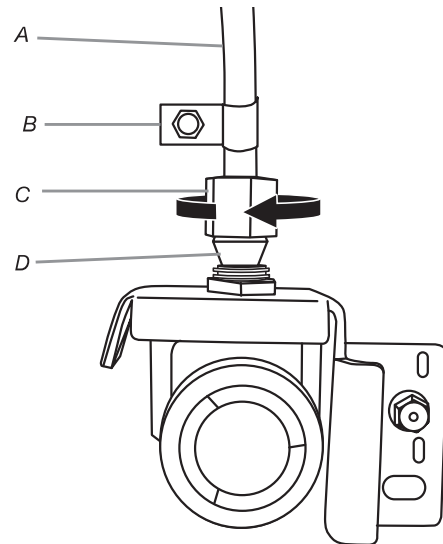
NOTA: Siempre desagüe la tubería de agua antes de efectuar la conexión final al orificio de entrada de la válvula de agua para evitar un probable mal funcionamiento de la válvula de agua.

6. Doble la tubería de cobre para que alcance la entrada de la línea de agua, la cual está ubicada en la parte posterior del gabinete del refrigerador, como se muestra. Deje un serpentín de tubería de cobre para que el refrigerador se pueda extraer del gabinete o alejar de la pared para realizar trabajos de servicio.

Conexión al refrigerador

Siga las instrucciones de conexión que sean específicas para su modelo.

1. Saque la tapa de plástico del puerto de entrada de la válvula de agua. Fije el tubo de cobre a la entrada de la válvula usando una tuerca y manguito de compresión, como se muestra. Apriete la tuerca de compresión. No ajuste demasiado. Jale la tubería de cobre para asegurarse de que esté firme.
2. Haga un lazo de servicio con la tubería de cobre. Evite las torceduras cuando enrolle la tubería de cobre. Asegure la tubería de cobre al gabinete del refrigerador con una abrazadera en "P".



A. Tubería de cobre B. Abrazadera en "P" C. Tuerca de compresión D. Manguito de compresión

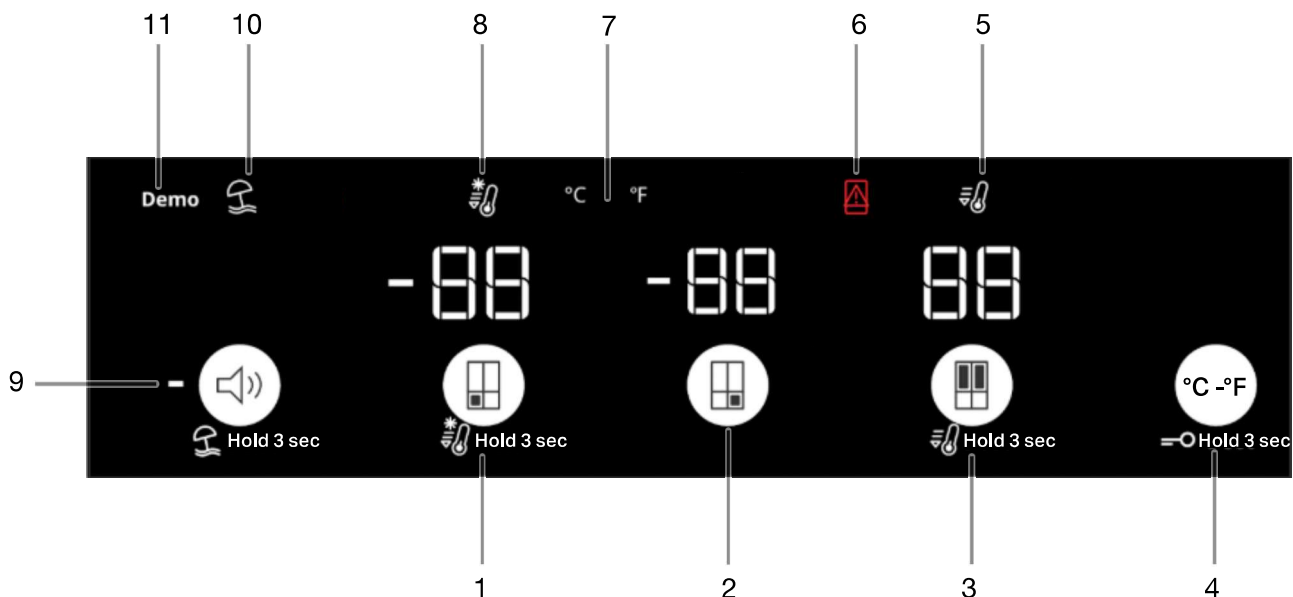
3. Abra el suministro de agua al refrigerador y revise si hay fugas. Corrija cualquier fuga que encuentre.
4. Si desea hielo, encienda la fábrica de hielo.

Nota: Deje transcurrir 24 horas para la producción del primer lote de hielo. Deseche los tres primeros lotes de hielo producidos. Espere tres días para llenar por completo el depósito de almacenamiento de hielo.

USO DE SU REFRIGERADOR

Uso de los controles

Los controles táctiles se ubican en la parte izquierda de la puerta del refrigerador. El panel de control incluye información acerca de diferentes botones e indicadores. El indicador de temperatura del refrigerador y congelador muestra el último punto establecido de temperatura.



1. BOTÓN e INDICADOR del compartimiento del congelador [Mantenga presionado el botón durante 3 segundos para alternar la característica Fast Freeze (Congelamiento rápido)]
2. BOTÓN E Indicadores de varias temperaturas compartimento con varias temperaturas
3. BOTÓN E INDICADOR del compartimiento del refrigerador [Mantenga presionado el botón durante 3 segundos para alternar la característica Fast Cool (Enfriamiento rápido)]
4. BOTÓN de bloqueo y Celsius/Fahrenheit
5. BOTÓN E INDICADOR de Fast Cool (Enfriamiento rápido)
6. Indicador de bloqueo
7. INDICADOR Celsius/Fahrenheit
8. Botón e INDICADOR Fast Freeze (Congelamiento rápido)
9. BOTÓN E INDICADOR de sonido apagado
10. INDICADOR de modo de vacaciones
11. INDICADOR de modo de demostración

El panel de control se apagará automáticamente después de un minuto de inactividad. Para encender el panel de control, presione cualquier tecla.

Ajustes del congelador

Función	Temperatura
Congelador tradicional	0°F, 1°F, 3°F, 5°F
Alta congelación	-2 °F, -4 °F, -6 °F, -8 °F

- Cuando el compartimiento de varias temperaturas Freezer se ajusta en 0°F o -4°F, tanto la temperatura del compartimiento Flexible Freezer como la temperatura del congelador se bajaría al ajuste más bajo cualquiera que sea la que tenga el congelador o el compartimiento Flexible Freezer
- La temperatura del compartimiento varias temperaturas Freezer podría no alcanzar 20°F cuando la temperatura ambiente se acerca a los 50°F o más frío.

Cuando regule los puntos de ajuste de la temperatura, utilice el siguiente cuadro como guía:

- Configuración de varias temperaturas Comportment

La función varias temperaturas permite que alterne entre temperaturas preestablecidas para el compartimiento Multi Temp.

Función	Temperatura
Congelador tradicional	0 °F, -2 °F, -4 °F
Congelador medio	10 °F
Congelador suave	19 °F

* Para activar/desactivar el ajuste más frío (-20 °C), presione el botón de temperatura preestablecida multi Freeze durante 3 segundos. Cuando se activa el ajuste más frío, se encenderán los tres iconos.

CONDICIÓN	REGULACIÓN DE LA TEMPERATURA
Refrigerador demasiado frío	Ajuste de refrigerador 1° más alto
Refrigerador demasiado caliente	Ajuste de refrigerador 1° más bajo
Congelador demasiado frío	Ajuste de congelador 1° más alto
Congelador demasiado caliente/muy poco hielo	Ajuste de congelador 1° más bajo

Regule el ajuste de varias temperaturas

- Desbloquee la interfaz de usuario. Consulte el artículo "Bloqueo de seguro" para conocer más detalles
- Congelador tradicional (0°F): Alimentos ya congelados y alimentos frescos
- Congelador medio (10°F): Alimentos ya congelados
- Congelador suave (20°F): Alimentos ya congelados

Cómo ver y regular los puntos de ajuste de temperatura

Ajuste de la temperatura de los compartimientos para alimentos frescos y del congelador:

Para su comodidad, los controles de su refrigerador y congelador vienen prefijados de fábrica.

Cuando instale el refrigerador por primera vez, asegúrese de que los controles sigan fijados en los puntos de ajuste recomendados. Los puntos de ajuste recomendados de fábrica son 37°F para el refrigerador y 0°F para el congelador.

Presionar el botón de temperatura del refrigerador o congelador alternará entre puntos de ajuste de temperatura en grados centígrados (°C)

IMPORTANTE:

- Espere 24 horas antes de colocar alimentos en el refrigerador. Si agrega alimentos antes de que el refrigerador se haya enfriado por completo, pueden echarse a perder.

NOTA: El poner los puntos de ajuste un ajuste más frío que el recomendado, no hará que el compartimiento se enfríe más rápido.

- Si la temperatura está demasiado elevada o demasiado baja en el refrigerador o en el congelador, antes de regular los controles, revise primero los orificios de ventilación para cerciorarse de que no estén obstruidos.

- Los ajustes recomendados deben ser los correctos para un uso doméstico normal. Los controles están ajustados correctamente cuando la leche o los jugos están tan fríos como desea y cuando el helado tiene consistencia firme.

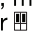

NOTA: Las áreas como un garaje, un sótano o un porche pueden tener mayor humedad o temperaturas extremas. Tal vez deba regular la temperatura a ajustes diferentes de los recomendados para adaptarse a estas condiciones.

- Espere al menos 24 horas entre ajustes. Vuelva a verificar las temperaturas antes de hacer otros ajustes.


NOTA: Para cambiar la temperatura entre grados Celsius y Fahrenheit, mantenga presionado el botón Max Ice (Hielo máximo) y Max cool (Frio máximo) durante 3 segundos y la pantalla de temperatura cambiará.

Fast Cool (Enfriamiento rápido)

La característica Fast Cool (Enfriamiento rápido) ayuda en los períodos de alto uso del refrigerador, cargas completas de comestibles o temperaturas ambientales temporalmente elevadas.

- Desbloquee la interfaz de usuario. Consulte el artículo “Bloqueo de seguro” para conocer más detalles.
- Para encender el enfriamiento rápido, mantenga presionado el botón de temperatura del refrigerador  durante 3 segundos. Cuando la función esté activada, el ícono Fast Cool (Enfriamiento rápido) se iluminará. La característica Fast Cool (Enfriamiento rápido) permanecerá encendida durante 2 horas a menos que se apague manualmente.
- Para apagar manualmente el enfriamiento rápido, mantenga presionado el botón de temperatura del refrigerador  durante 3 segundos. El ícono de Fast Cool (Enfriamiento rápido) desaparecerá cuando se apague la característica.
- Si se regula la temperatura del refrigerador, la característica Fast Cool (Enfriamiento rápido) se apagará automáticamente.

Door Open Alarm (Alarma de puerta abierta)

- La función de alarma de puerta abierta enciende una alarma y hace parpadear el ícono de “puerta abierta”  cuando cualquiera de las cuatro puertas queda abierta por 5 minutos o más.
- La alarma se repetirá cada 2 minutos. Cierre todas las puertas para apagarla.

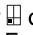
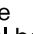
NOTA: Para silenciar la alarma audible mientras mantiene las puertas abiertas, por ejemplo mientras se limpia el interior del refrigerador, toque cualquier botón en el panel de control. El sonido de la alarma estará apagado temporalmente, pero el ícono de Puerta abierta seguirá apareciendo en la pantalla del panel de control.

Unidad de temperatura (°C o °F)

- Mantenga presionados los botones “°C” y “°F” durante 3 segundos para alternar la unidad de temperatura en la pantalla, entre grados Celsius y grados Fahrenheit.

Fast Freeze (Congelación rápida)

La cantidad de alimentos frescos (en kg.) que se pueden congelar en 24 horas se indica en la placa de clasificación del electrodoméstico.

- Desbloquee la interfaz de usuario. Consulte el artículo “Bloqueo de seguro” para conocer más detalles.
- Presione el botón de temperatura del congelador  durante 3 segundos (hasta que se ilumine el indicador de Fast Freeze [Congelamiento rápido]), 30 horas antes de poner los alimentos frescos en el congelador. Después de poner los alimentos frescos en el congelador, 30 horas con la función Fast Freeze (Congelamiento rápido) suele ser suficiente; después de 50 horas, la función Fast Freeze se desactiva automáticamente.
- Para apagar manualmente la función Fast Freeze (Congelamiento rápido), mantenga presionado el botón de temperatura del congelador  durante 3 segundos. El ícono de Fast Freeze (Congelamiento rápido) se apagará.
- Si ajusta la temperatura del refrigerador, la característica Fast Freeze (Congelamiento rápido) se desactivará automáticamente.

Total Coverage Cooling

Las ventilaciones de flujo múltiple dirigen eficientemente aire fresco y frío a cada estante y esquina, asegurando que cada artículo se enfríe correctamente, sin importar dónde lo almacene.

Modo de vacaciones

Este modo está diseñado para evitar que su electrodoméstico desperdicie energía en momentos en que no estará en uso constantemente (como cuando está de vacaciones).

Al seleccionar esta función, la temperatura del compartimiento para alimentos frescos se ajustará automáticamente en 12C (30F).

- Desbloquee la interfaz de usuario. Consulte el artículo “Bloqueo de seguro” para conocer más detalles.
- Para usar el modo Vacation Mode (Modo de vacaciones), presione el botón de modo hasta que el indicador Vacation Mode (Modo de vacaciones) se encienda en la pantalla.
- Para salir del modo de vacaciones, presione el botón de modo hasta que no haya íconos de modo encendidos en la pantalla.
- Si se ajusta la temperatura del refrigerador, el modo de vacaciones se apagará automáticamente.

IMPORTANTE: Si se selecciona este modo, deben retirarse todos los alimentos y bebidas del compartimiento para alimentos frescos.

Modo de demostración

Este modo se utiliza cuando el refrigerador está en exhibición en la tienda minorista o si desea apagar el enfriamiento y desactivar todas las demás funciones, excepto la iluminación interior.

El modo de demostración se puede usar cuando sale de vacaciones por un período extendido. Consulte la sección “Cuidado en las vacaciones y en traslados” para conocer los pasos adecuados cuando deja su refrigerador en este modo por períodos extendidos.

- Desbloquee la interfaz de usuario. Consulte el artículo “Bloqueo de seguro” para conocer más detalles.
- Si se activa el modo de demostración, se iluminará el ícono de “Demo” en la pantalla.
- Entre o salga del modo de demostración manteniendo presionado el botón de encendido o apagado de sonido más el botón de seguro simultáneamente durante 3 segundos.

Activar y desactivar el sonido

- Desbloquee la interfaz de usuario. Consulte el artículo “Bloqueo de seguro” para conocer más detalles.
- Presione el botón para activar/desactivar los tonos de los botones de control. Esto no afecta la alarma de puerta entreabierta.

Botón de seguro

- Presione y sostenga el botón de seguro durante 3 segundos para activar la función de seguro de tapa.
- Para desactivar el seguro, presione y mantenga el botón de seguro durante 3 segundos.

La función de bloqueo ignorará toda interacción con el panel de control hasta que el usuario desbloquee el panel de control. Esta función tiene como fin evitar que se cambien los ajustes de forma no intencionada.

Iluminación

El refrigerador tiene una luz interior que se enciende cada vez que se abre la puerta.

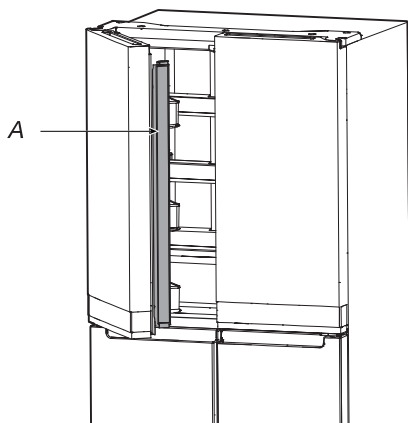
NOTA: La luz es un LED que no necesita cambiar. Si el LED no se ilumina cuando se abre la puerta, llame al servicio técnico para que reemplacen la luz.

Cómo abrir y cerrar las puertas

El compartimiento para alimentos frescos tiene dos puertas. Las puertas pueden abrirse y cerrarse por separado o juntas. Hay una junta con bisagras vertical en la puerta izquierda del refrigerador.

- Cuando se abre la puerta izquierda, la junta con bisagras se pliega automáticamente hacia adentro para quedar fuera del paso.
- Cuando ambas puertas están cerradas, la junta con bisagras forma automáticamente un sello entre las dos puertas.

NOTA: Cuando cierra la puerta, el sello con bisagras debería estar en la posición correcta (estar doblada en el interior). De lo contrario, topará la puerta derecha o el eje de fijación.

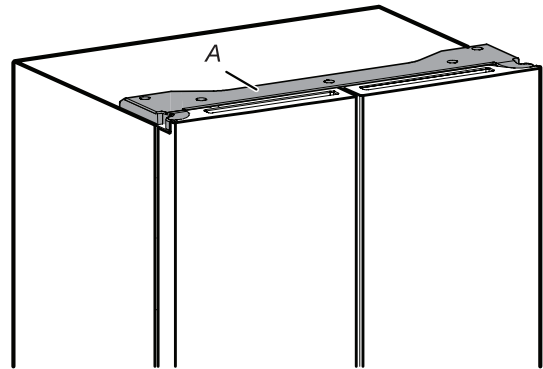


A. Junta con bisagras

El interruptor de la puerta del compartimiento para alimentos frescos está ubicado en la cubierta de la bisagra del lado superior izquierdo y derecho.

- Para el compartimiento de varias temperaturas y el congelador, el interruptor de la puerta está ubicado en el paneluz.
- El interruptor de la puerta usa imanes para detectar la apertura y el cierre de la puerta.
- Asegúrese de que no haya imanes ni dispositivos electrónicos (altavoces, Coolvox®, etc.) a 7,62 cm de la cubierta de la bisagra.

NOTA: La luz no se encenderá si no se detecta que se abrió la puerta.



A. Cubierta de la bisagra

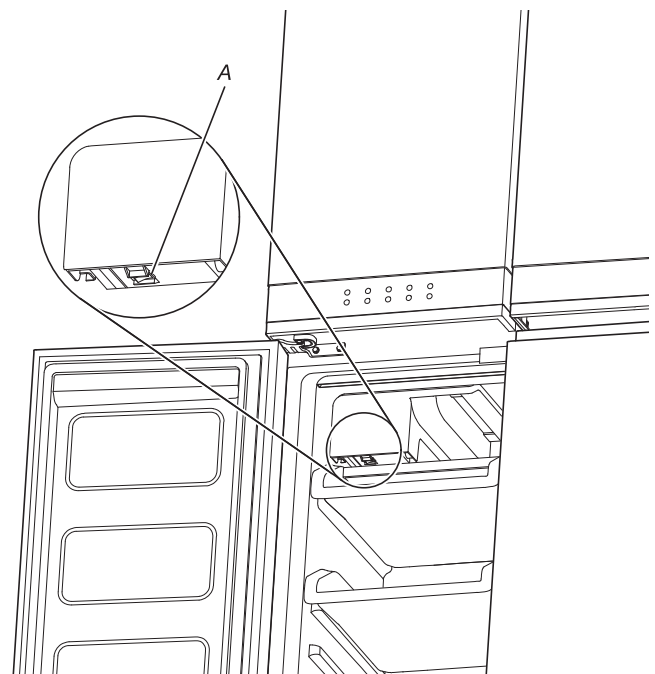
Fábrica de hielo

Encender y apagar la fábrica de hielo

Para encender la fábrica de hielo, mueva el interruptor hacia la posición encendido.

NOTAS:

- El interruptor de la fábrica de hielo se encuentra en la parte inferior de esta, como se muestra en la imagen a continuación.



A. Interruptor de la fábrica de hielo

- La fábrica de hielo tiene apagado automático. El sensor detendrá automáticamente la producción de hielo si el depósito de hielo está lleno o si se abre la puerta. El control permanecerá en la posición de Encendido.

- Apague la fábrica de hielo antes de quitar el depósito de hielo para limpiarlo o para servir hielo. Esto evitará que los cubos de hielo caigan fuera de la fábrica de hielo hacia el compartimiento del congelador. Encienda la fábrica de hielo después de volver a colocar el depósito de hielo.

Ritmo de producción de hielo

- La fábrica de hielo debe producir aproximadamente 3 lb (1,4 kg) de hielo por día con un funcionamiento normal.
- Para aumentar la producción de hielo, active la función Fast Freeze (Congelamiento rápido) del panel de control. La fábrica de hielo debe producir aproximadamente 3,5 lb (1,6 kg) de hielo por día. Consulta la sección de "Uso de los controles".

Estantes, Depósitos y Cajones

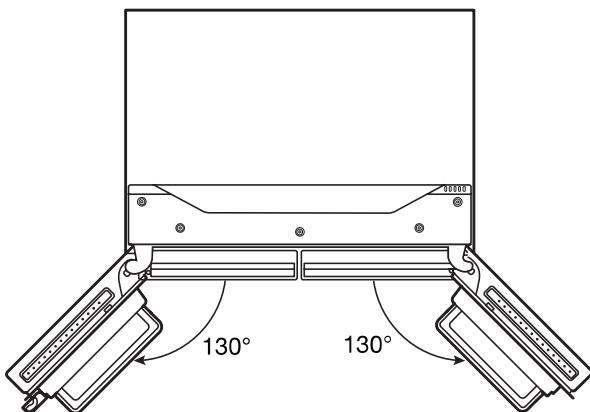
Información importante para saber acerca de los estantes y tapas de vidrio:

No limpie los estantes y tapas de vidrio con agua caliente mientras están fríos. Los estantes y tapas pueden romperse si se exponen a cambios bruscos de temperatura o impacto, como sería un golpe brusco. El vidrio templado se ha diseñado para hacerse añicos. Esto es normal. Los estantes y tapas de vidrio son muy pesados. Use ambas manos al sacarlos para evitar que se caigan.

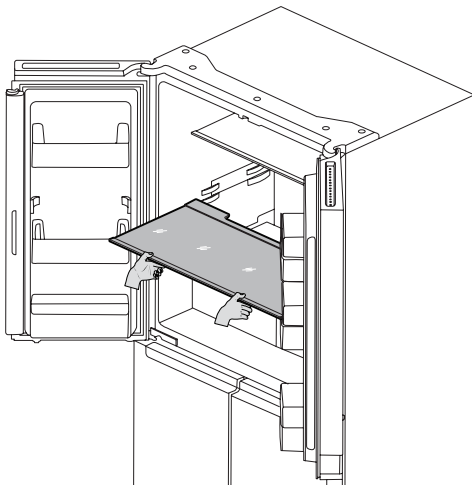
Ajuste de la altura de los estantes y estantes y marcos de estantes

Se puede ajustar la altura de los estantes cambiando su ubicación entre el soporte inferior y superior, y viceversa

- Abra la puerta lateral derecha y la puerta lateral izquierda para que se abra por completo.



- Saque el estante del refrigerador y ubíquelo en la posición de montaje deseada.



- Asegúrese de que el estante esté correctamente asentado sobre los montantes de estante.

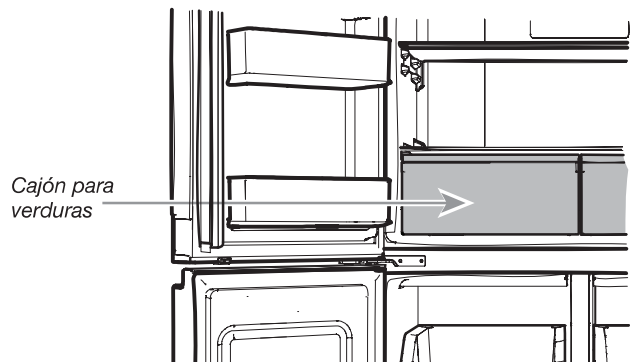
Los estantes del refrigerador son ajustables para adaptarlos a las necesidades de almacenamiento individuales.

Si se guardan alimentos similares juntos en el refrigerador y se ajustan los estantes para que se adapten a las diferentes alturas de los artículos, será más fácil encontrar exactamente el artículo que se desea. Asimismo, se reducirá el tiempo que la puerta del refrigerador permanece abierta y se ahorrará energía.

Para retirar y volver a colocar los estantes:

1. Abra la puerta del lado derecho y la del lado izquierdo por completo.
2. Para quitar el estante del medio o el superior, levántelo y retírelo de los soportes; después, tire del estante hacia adelante e inclínelo hacia abajo hasta una posición vertical. Gire el estante en un ángulo y retírelo del refrigerador.
3. Para quitar el estante inferior, levántelo y retírelo de los soportes; después, tire del estante hacia adelante e inclínelo hacia arriba hasta una posición vertical. Gire el estante en un ángulo y retírelo del refrigerador.
4. Para volver a colocar los estantes medio y superior, coloque los estantes en el refrigerador en un ángulo con el frente del estante hacia abajo. Levante el frente del estante y deslícelo hacia adentro hasta que la parte trasera del estante caiga dentro de los soportes. Baje el frente del estante y verifique que esté en su lugar.
5. Para volver a colocar el estante inferior, coloque el estante en el refrigerador en un ángulo con el estante hacia arriba. Levante la parte frontal del estante hacia abajo y deslícelo hacia adentro hasta el estante trasero caiga dentro de sus soportes. Baje el frente del estante y verifique que esté en su lugar.

Cajones para verduras

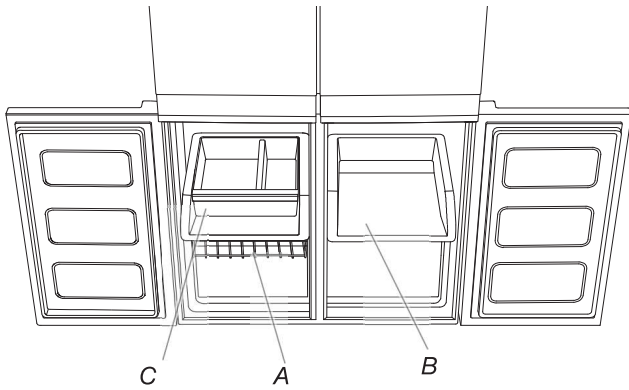


Para quitar y volver a colocar los cajones para verduras:

1. Abra la puerta del lado derecho y la del lado izquierdo por completo.
2. Sujete la manija del cajón para verduras, deslícelo y tire recto hacia afuera hasta el tope. Levante el cajón fuera de la guía inferior.
3. Para volver a colocar el cajón para verduras, ubíquelo en la guía inferior para cajón y empuje más allá del tope hasta su posición.

Depósito de hielo

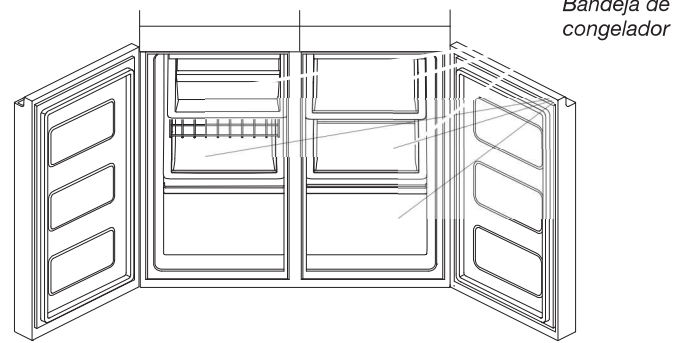
Depósito de hielo para fábrica de hielo



- A. Canasta extraíble de ancho completo
- B. Estantes extraíbles en la bandeja del congelador
- C. Depósito de hielo

Compartimientos de almacenamiento del congelador

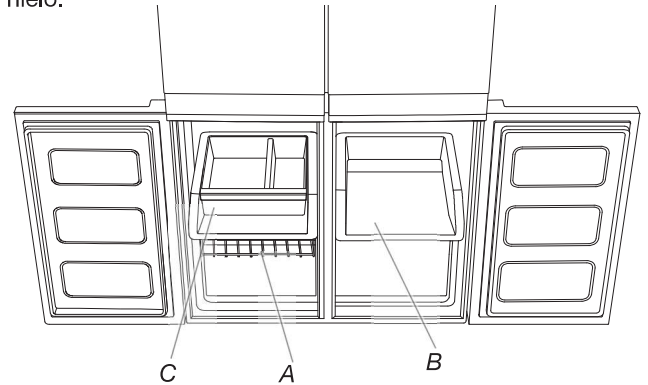
Estantes y cajones extraíbles del congelador



NOTE: Para obtener la máxima extensión de las bandejas, por favor refiera al espacio requerido al lado del refrigerador para lograr el mínimo ángulo requerido de apertura de puertas. La información detallada se encuentra en las "Instrucciones de Instalación". La bandeja del congelador es útil para acceder fácilmente a los productos que se usan con frecuencia, congelar o simplemente dejar restos de comida o elementos pequeños.

Canasta extraíble de ancho completo

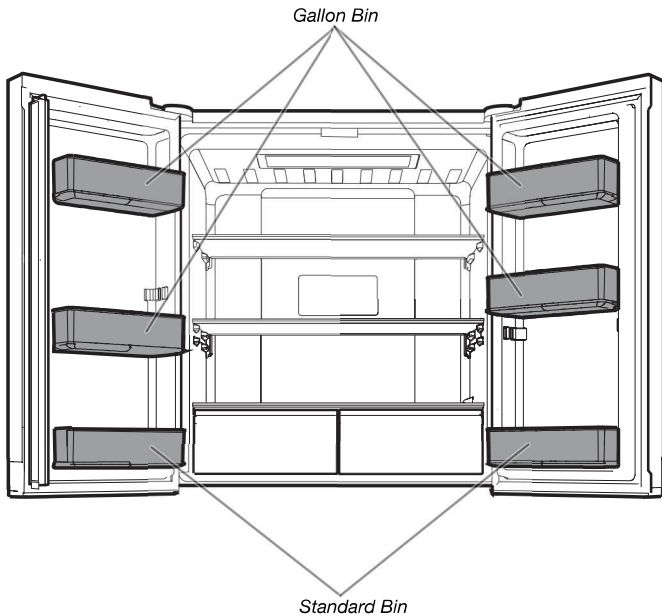
La canasta extraíble de ancho completo se ubica en el compartimento del congelador debajo de la bandeja de depósito de hielo.



- A. Canasta extraíble de ancho completo
- B. Estantes extraíbles en la bandeja del congelador
- C. Depósito de hielo

Balcones del refrigerador

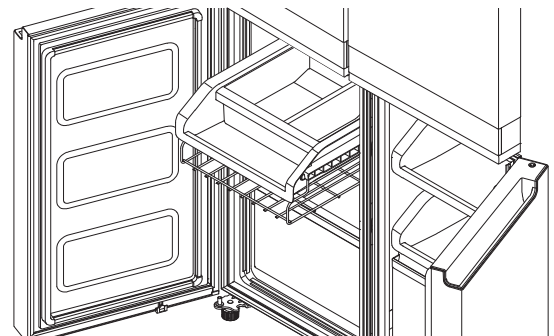
Los balcones de la puerta del refrigerador son ajustables para adaptarlos a las necesidades de almacenamiento individuales.



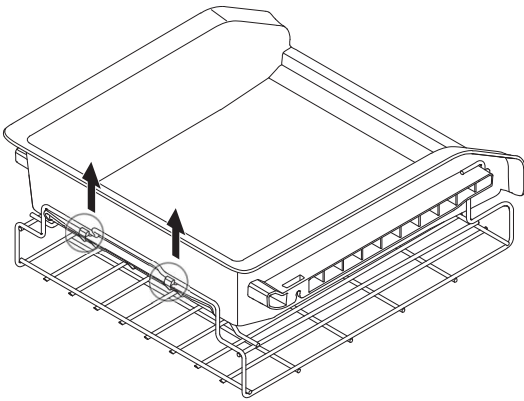
- La posición del recipiente central puede ajustarse en dos puntos fijos. Para quitar el recipiente, tire de él hacia arriba. Para ello, ejerza fuerza sobre ambos lados inferiores donde el recipiente está enganchado en las lengüetas de la puerta. Instálelo en la otra posición. Para ello, presione hacia abajo hasta que las lengüetas de la puerta estén completamente enganchadas en el recipiente.
- Libere espacio en el estante con balcones en la puerta de cuatro galones que se ajustan a artículos como galón de leche

Cómo retirar la canasta extraíble de ancho completo:

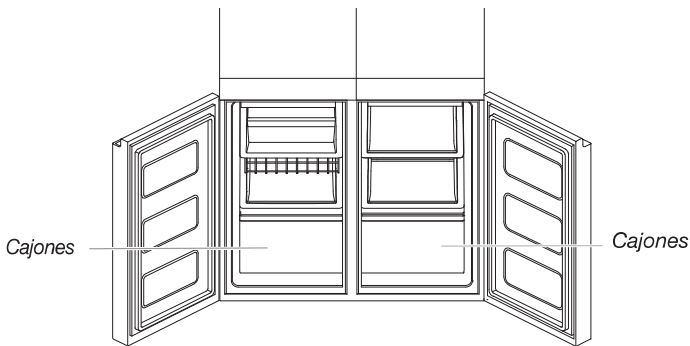
- Extraiga el contenido del depósito de hielo y de la canasta extraíble de ancho completo.
- Saque el depósito de hielo de la bandeja del congelador.
- Retire la bandeja del congelador con el depósito del compartimento del congelador jalándolo hacia fuera.



- De la parte trasera de la bandeja, jale el cable hacia arriba y atrás para destrabar el estante de la bandeja en el área que se muestra en la imagen a continuación.



Cajones del congelador



NOTE: Para obtener la máxima extensión de los cajones, por favor refiera al espacio requerido al lado del refrigerador para lograr el mínimo ángulo requerido de apertura de puertas. La información detallada se encuentra en las "Instrucciones de Instalación".

Compartimiento Fast Freeze (Congelamiento rápido)

- Use estos cajones y estantes para congelar una mayor cantidad de alimentos frescos o cocidos (de una manera mejor y más rápida).
- La opción Fast Freeze (Congelamiento rápido) permite que almacene todos sus alimentos congelados de forma segura y transparente.

NOTA: La temperatura del congelador podría bajar más para alcanzar la misma temperatura del compartimiento del Flexible Freezer, cuando el congelador se ajusta a una temperatura más templada del compartimiento Flexible Freezer.

Compartimiento con varias temperaturas

El compartimiento con varias temperaturas le permite seleccionar uno de los cuatro niveles de temperatura del congelador: 20°F, 10°F, 0°F y -4°F para proporcionar las mejores condiciones de almacenamiento para los diferentes tipos de alimentos.

Para mayor capacidad en el congelador, puede retirar el cajón del congelador para exponer el estante.

Para sacar el cajón superior:

1. Sujete la manija del cajón, deslícelo y tire recto hacia afuera hasta el tope. Levante el cajón fuera de la guía inferior.
2. Para volver a colocar el cajón, colóquelo en la guía del cajón inferior y empuje más allá del tope del cajón hasta su posición.

Referencia de audio

Asignación de tonos

Nombre del tono	Ejemplos de uso
Encendido	El sistema de enfriamiento se enciende cada vez que se enciende el producto.
Presión de tecla	El usuario presiona un botón válido.
Inválido (error)	El usuario presiona dos o más botones válidos al mismo tiempo. Interrupción de la cuenta regresiva para mantener presionados los botones.
Conexión	Reconoce que entró en un modo.
Desconexión	Reconoce que salió de cualquier modo.
Alerta	Alerta de puerta entreabierta.

Esta tabla es solamente para referencia rápida. Vea las secciones correspondientes para ver detalles. En caso de discrepancias, prevalecerán los detalles de las secciones.

CUIDADO DEL REFRIGERADOR

Limpieza

⚠ ADVERTENCIA



Peligro de Explosión

Use un limpiador no inflamable.

No seguir esta instrucción puede ocasionar la muerte, explosión o incendio.

Los compartimentos de refrigerador, congelador y Flexi Freeze se descongelan automáticamente. No obstante, limpie todas las secciones más o menos una vez al mes para evitar la acumulación de olores. Limpie los derrames de inmediato.

Estilo 1: Acero inoxidable resistente a huellas dactilares

IMPORTANTE:

- Evite exponer los electrodomésticos de acero inoxidable a elementos cáusticos o corrosivos como ambientes con altas concentraciones de sal, agua o humedad. La garantía no cubre los daños debidos a la exposición a estos elementos.

USE	NO USE
✓ Paño suave y limpio	✗ Paños abrasivos ✗ Toallas de papel o periódicos ✗ Esponjas de lana de acero
✓ Agua tibia jabonosa con un detergente suave	✗ Líquidos o polvos abrasivos ✗ Aerosoles para vidrios ✗ Amoniaco ✗ Limpiadores ácidos o de vinagre ✗ Limpiadores de horno ✗ Fluidos inflamables

NOTAS:

- Si se produce el contacto accidental, limpie la pieza plástica con una esponja y detergente suave en agua tibia. Seque meticulosamente con un paño suave.
- Solo porque un producto de limpieza es líquido no significa que no es abrasivo. Muchos limpiadores líquidos formulados para tener una acción suave sobre las baldosas y las superficies lisas igualmente dañan el acero inoxidable.
- El ácido cítrico produce cambios permanentes en el color del acero inoxidable.
- Para evitar dañar el acabado del refrigerador de acero inoxidable:

No permita que estas sustancias permanezcan sobre el acabado:

- ✗ Mostaza
- ✗ Salsas con base cítrica
- ✗ Jugo de tomate
- ✗ Productos con base cítrica
- ✗ Salsa marinera

Limpieza del interior

IMPORTANTE: Los estantes del refrigerador no son aptos para lavavajillas.

1. Desenchufe el refrigerador o desconecte el suministro de energía.
2. Lave a mano, enjuague y seque todas las partes desmontables y las superficies interiores meticulosamente. Use una esponja limpia o un paño liso y un detergente suave en agua tibia.

NOTA: No use productos de limpieza abrasivos ni ásperos, como rociadores para ventanas, productos de limpieza para pulir, líquidos inflamables, ceras de limpieza, detergentes concentrados, blanqueadores o productos de limpieza que contengan sustancias derivadas del petróleo en las piezas plásticas, el interior y los revestimientos de las puertas ni en las juntas.

3. Enchufe el refrigerador o reconecte el suministro de energía.

Condensador

Este refrigerador cuenta con un condensador integrado en cada lado. Es normal que se sienta cálido en los lados.

Luces

Las luces de los compartimentos para alimentos frescos y del congelador son LED y no hace falta cambiarlas. Si las luces no se encienden cuando se abre la puerta, contacte al distribuidor que le vendió el refrigerador.

Cuidados en caso de mudanza

Extensión

Si decide dejar el refrigerador encendido mientras está ausente:

1. Use todos los artículos perecederos y congele el resto.
2. Si el refrigerador tiene una fábrica de hielo automática y está conectado al suministro de agua de la casa, cierre el suministro de agua al refrigerador. Si no se cierra el suministro de agua, pueden producirse daños a la propiedad.
3. Si tiene una fábrica de hielo automática, apáguela.
 - Presione el interruptor para apagar (O) la fábrica de hielo de la puerta.
4. Vacíe el depósito de hielo.

Si decide apagar el refrigerador antes de irse:

NOTA: Configure el refrigerador en el modo Demo (Demostración) mientras está de vacaciones. Consulte la sección "Uso de los controles".

1. Saque todos los alimentos del refrigerador.
2. Si el refrigerador tiene fábrica de hielo automática:
 - Cierre el suministro de agua a la fábrica de hielo al menos un día antes.
 - Cuando caiga la última carga de hielo, presione el interruptor hasta Off (Apagado) (O) para que se apague la pantalla en la parte superior del interior del refrigerador, según el modelo.
3. Vacíe el depósito de hielo.
4. Apague los controles de temperatura. Consulte la sección "Uso de los controles".
5. Limpie el refrigerador, pásele un trapo y séquelo bien.
6. Fije con cinta adhesiva bloques de goma o de madera en la parte superior de ambas puertas para mantenerlas abiertas lo suficiente como para que ingrese aire. Esto evita que se acumulen olores y moho.

Mudanza

Si va a mudar el refrigerador a una casa nueva, siga estos pasos para prepararlo para la mudanza.

1. Si el refrigerador tiene fábrica de hielo automática:
 - Cierre el suministro de agua a la fábrica de hielo al menos un día antes.
 - Desconecte la tubería de agua de atrás del refrigerador.
 - Cuando caiga la última carga de hielo, presione el interruptor hasta Off (Apagado) (O) ya sea en la fábrica de hielo o en el control, según el modelo.
2. Saque toda la comida del refrigerador y empaque todos los alimentos congelados en hielo seco.
3. Vacíe el depósito de hielo.
4. Desenchufe el refrigerador.
5. Limpie, pase un trapo y seque meticulosamente.
6. Retire todas las piezas desmontables, envuélvalas bien y asegúrelas con cinta adhesiva para que no se sacudan durante la mudanza.
7. Según el modelo, levante la parte delantera del refrigerador para que ruede con facilidad o levante las patas niveladoras para no rayar el suelo. Vea las secciones “Para regular las puertas” o “Nivelación del refrigerador y cierre de las puertas”.
8. Cierre las puertas con cinta adhesiva y fije con cinta adhesiva el cable eléctrico a la parte trasera del refrigerador.

Cuando llegue a la casa nueva, ponga todo de nuevo en su sitio y consulte la sección “Instrucciones de instalación” para obtener instrucciones de preparación. Además, si el refrigerador tiene fábrica de hielo automática, recuerde volver a conectar el suministro de agua al refrigerador.

NOTES

NOTES

NOTES

