

WM9500HKA

LG SIGNATURE Washer

LG SIGNATURE

- 5.8 cu.ft. MEGA Capacity
- Premium Black Stainless Steel
- TurboWash® Technology - Save Up to 30 minutes Per Load*
- SideKick™ Compatible (WD205CK)
- Ergonomic Angled Door for Easier Access
- Full Touch On-Door Control Panel
- SmartThinQ® Technology
- Steam Technology
- ENERGY STAR® Most Efficient 2018
- 10-Year Warranty on Direct Drive Motor



KEY FEATURES



PRODUCT FEATURES

SUMMARY

Capacity (cu.ft.)	5.8 cu. ft.
Matching Electric Dryer	DLEX9500K
Matching Gas Dryer	DLGX9500K
Color	Black Stainless Steel (K)

APPEARANCE

On-Door Electronic Control Panel with LED Display	Yes
Hard Buttons	Yes
Touch Buttons	Yes
Full Touch Electronic Control Panel with LED Display	Yes

ENERGY

ENERGY STAR® Most Efficient 2018	Yes
ENERGY STAR® Qualified	Yes
CEE Tier	Advanced Tier
IMEF	2.92
IWF	3.2

WASH PROGRAMS

No. of Programs	15
	Normal, Perm. Press, Heavy Duty, Delicates, Towels, Speed Wash, Rinse+Spin, Bedding, Tub Clean, Bright White, Sanitary, Allergiene™, Jumbowash, Downloaded, Sportswear

WASH OPTIONS

No. of Options	13
	TurboWash®, Steam, Fresh Care, Prewash, Delay Wash, Extra Rinse, ColdWash™, Child Lock*, Custom Program, Smart Grid, Wi-Fi Connect / Remote Start, Add Garments, Drum Light

WASH DETAILS

No. of Wash/Rinse Temps	5
Wash/Rinse Temps	Extra Hot, Hot, Warm, Cold, Tap Cold
No. of Spin Speeds	5
Spin Speeds	Extra High, High, Medium, Low, No Spin
Max RPM	1300
Water Levels	Load Sensing
No. of Soil Levels	5

FABRIC CARE FEATURES

TurboWash® 2.0 Technology	Yes
Steam Technology	Yes
Allergiene™ Cycle	Yes
Sanitary Cycle	Yes
ColdWash™ Option	Yes
SenseClean™ System	Yes

CONVENIENCE FEATURES

TrueBalance™ Anti-Vibration System	Yes
4 Tray Dispenser	Prewash, Main Wash (with liquid detergent cup), Bleach, Fabric Softener

LoDecibel™ Quiet Operation	Yes
End of Cycle Signal	Yes
LoadSense	Yes
Child Lock*	Yes
Auto Suds Removal	Yes
Leveling Legs	4 Adjustable Legs
Easy Loading TilTub™	Yes

SMARTTHING® TECHNOLOGY

SmartDiagnosis™ (v3.0)	Yes
WiFi	Yes
Energy Monitoring	Yes
Laundry Starts	Yes

MOTOR

Motor Type	Inverter Direct Drive Motor
Axis	Horizontal

MATERIALS AND FINISHES

NeveRust™ Stainless Steel Drum	Yes
Cabinet	PCM
Control Panel	Plastic
Top Plate	Painted
Door / Rim	Glass/Chrome
Door Cover	Dark Black Tinted Square Cover
All Available Colors	Black Stainless Steel (K)

CERTIFICATION

AFFA	Yes
NSF	Yes

POWER SOURCE

Ratings	UL Listed
Electrical Requirements	120V, 10 Amps
Type	Electric

OPTIONS/ACCESSORIES

Pedestal	WDP5K
Pedestal (WxHxD)	29 x 14 1/8 x 30 7/8 (50 9/16 D with door open)
LG Sidekick™ Pedestal Washer	WD205CK
LG Sidekick™ Pedestal Washer (WxHxD)	29 x 14 1/8 x 30 7/8 (50 9/16 D with door open)
Hose Included	Yes

DIMENSIONS

Product (WxHxD)	29" 5/8 x 41 3/16" x 34 1/16"
Depth with Door Open	56 15/16"
Carton (WxHxD)	31 11/16" x 45 23/32" x 35 3/4"
Weight (Product/Carton)	239 / 263.3 lbs.

LIMITED WARRANTY

Parts and Labor	1 Year
Direct Drive Motor	10 Years
Drum	Limited Lifetime

UPC CODES

WM9500HKA Washer	048231017039
DLEX9500K Electric Dryer	048231017046
DLGX9501K Gas Dryer	048231017053
WDP5K Pedestal	048231018364
WD205CK Pedestal Washer	048231017121

*Compared to an LG front load washer without TurboWash. Based on AHAM-HLW-1-2010 test protocol. Cotton / Normal or comparable cycle at default settings, 8 lb. loads. Excludes quick wash or comparable cycles intended for small, lightly soiled loads only.

WM9500HKA

LG SIGNATURE Washer

QUICK INSTALL & CLEARANCES

For full installation directions/clearances please refer to the corresponding User Manual and Installation Guide.

DIMENSIONS

A Width	29 5/8"
B Height	41 3/16"
C Depth	34 1/16"
D Depth with Door Open (in)	56 15/16"
E Back Clearance	4"
F Side Clearance	1"
G Top Clearance	6"
Carton Dimensions (in) (W x H x D)	31 11/16" x 45 23/32" x 35 3/4"

ENERGY

ENERGY STAR® Most Efficient 2018	Yes
ENERGY STAR® Qualified	Yes
CEE Tier	Advanced Tier
IMEF	2.92
IWF	3.2

POWER SOURCE

Ratings	UL Listed
Electrical Requirements	120V, 10 Amps

CONNECTING THE WATER INLET HOSES

To avoid the risk of costly water damage, purchase and install new water inlet hoses when installing the washer.

⚠ WARNING

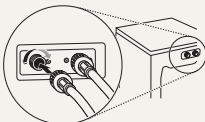
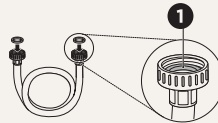
- Do not overtighten the hoses or cross-thread the hose fittings. Overtightening or cross-threading can damage the valves or couplings, resulting in leaking and property damage.
- Do not reuse old hoses. Use only new hoses when installing the washer. Old hoses could leak or burst causing flooding and property damage. Contact an LG Customer Information Center for assistance in buying hoses.

- Check the fittings and seals. Inspect the threaded fitting on each hose and make sure there is a rubber seal **1** in place in both ends of each hose to prevent leaking.

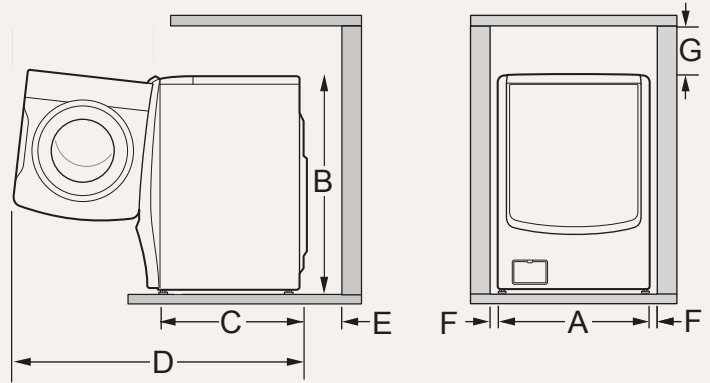
- Connect the water supply hoses.
 - Connect the water inlet hoses to the hot and cold water faucets tightly by hand and then tighten another 2/3 turn with pliers.
 - Connect the blue hose to the cold water faucet and the red hose to the hot water faucet.

- Flush out the inlet hoses.
 - After the hoses are connected, turn on the water faucets and flush out any foreign substances such as dirt, sand, or sawdust.
 - Let the water drain into a bucket, and check the water temperature to make sure you've connected the hoses to the correct faucets.

- Attach the inlet hoses to the back of the washer.
 - Attach the hot water inlet hose to the hot water inlet on the back of the washer. Attach the cold water inlet hose to the cold water inlet on the back of the washer.
 - Tighten the fittings securely. Turn on both faucets all the way and check for leaks at both ends of the hoses.



PRODUCT DIMENSIONS



CHOOSING THE PROPER LOCATION

Check the following requirements for the install location before installing the washer.

- Allow for sufficient space between the walls and the washer for installation.
- Make sure that the floor is clean, dry and free of dust, dirt, water and oil so the leveling feet cannot slide easily. Leveling feet that can move or slide on the floor can contribute to excess vibration and noise.
- If the floor has too much flex, reinforce it to make it more rigid. If the floor is not solid, it may cause severe vibration and noise.
- The power outlet must be within 60 inches (1.5m) of either side of the washer.
- Position the washer so that the outlet and plug are easily accessible.
- Do not overload the outlet with more than one appliance.

CONNECTING THE DRAIN HOSE

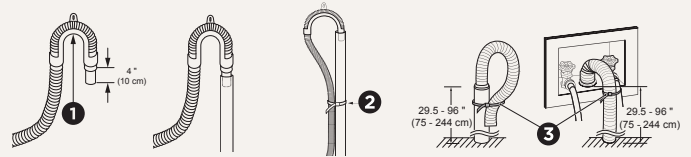
Connect the drain hose to either a standpipe or laundry tub.

⚠ WARNING

- The drain hose should always be properly secured. Failure to properly secure the drain hose can result in flooding and property damage.

Using a Standpipe to Drain

- Clip the end of the hose into the elbow bracket.
 - Connect the elbow bracket **1** within 4 inches (10 cm) of the end of the drain hose. If the drain hose is extended more than 4 inches (10 cm) beyond the end of the elbow bracket, mold or microorganisms could spread to the inside of the washer.
- Insert the end of the drain hose into the standpipe.
- Use the provided tie strap **2** to secure the drain hose in place.
- If the water valves and drain are built into the wall, fasten the drain hose to one of the water hoses with the provided tie strap **3** (ribbed side on inside).



Using the Laundry Tub to Drain

- Clip the end of the hose into the elbow bracket.
 - Connect the elbow bracket **1** within 4 inches (10 cm) of the end of the drain hose. If the drain hose is extended more than 4 inches (10 cm) beyond the end of the elbow bracket, mold or microorganisms could spread to the inside of the washer.
- Hang the end of the drain hose over the side of the laundry tub.
- Use the provided tie strap to secure the drain hose in place.

