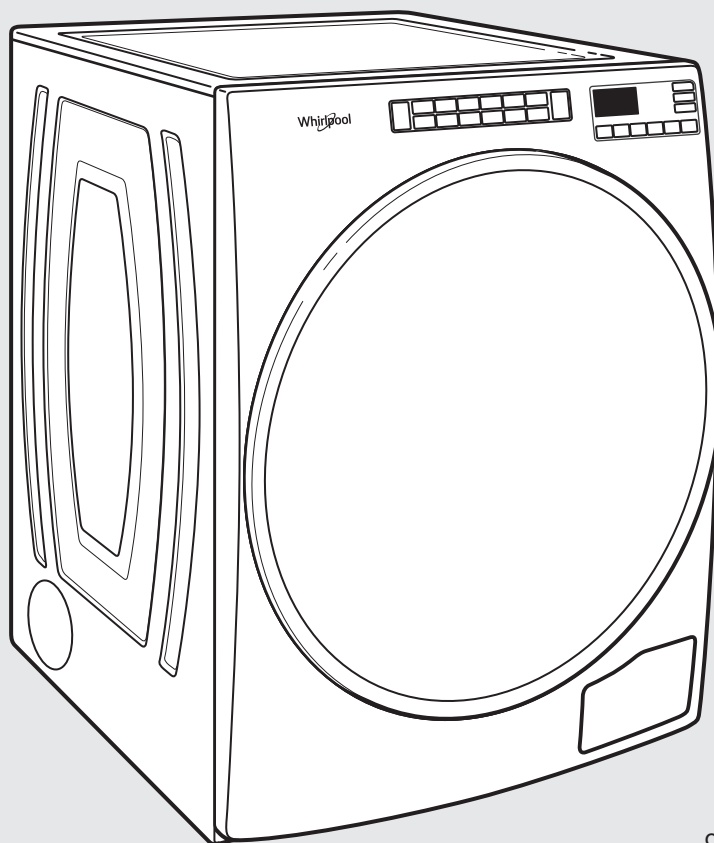




Use & Care Guide Guide d'utilisation et d'entretien

HybridCare™ Heat Pump Dryer Sécheuse avec pompe à chaleur HybridCare™



Para obtener acceso al Manual de uso y cuidado en español, o para obtener información adicional acerca de su producto, visite: www.whirlpool.com.

For questions about features, operation/performance, parts, accessories, warranty, or service in the U.S.A., call: **1-866-698-2538** or visit our website at www.whirlpool.com/owners.

In Canada, call: **1-800-807-6777** or visit our website at www.whirlpool.ca/owners.

Pour des questions à propos des caractéristiques, du fonctionnement/rendement, des pièces, accessoires, garantie, ou dépannage, composer le : **1-866-698-2538** ou visiter notre site Web au www.whirlpool.com/owners.

Au Canada, composer le : **1-800-807-6777** ou visiter notre site Web au www.whirlpool.ca/proprietaire

TABLE OF CONTENTS / TABLE DES MATIÈRES

DRYER SAFETY	2	SÉCURITÉ DE LA SÈCHEUSE	23
ACCESSORIES	3	ACCESSOIRES	25
HybridCare™ HEAT PUMP TECHNOLOGY	4	TECHNOLOGIE DE POMPE À CHAUD HybridCare™	26
CONTROL PANEL AND FEATURES	5	TABLEAU DE COMMANDE ET CARACTÉRISTIQUES	27
CYCLE GUIDE	6	GUIDE DES PROGRAMMES	29
USING YOUR DRYER	8	UTILISER LA SÈCHEUSE	31
ADDITIONAL FEATURES	10	CARACTÉRISTIQUES SUPPLÉMENTAIRES	33
DRYER CARE	10	ENTRETIEN DE LA SÈCHEUSE	34
ELECTRICAL REQUIREMENTS - U.S.A.	13	SPÉCIFICATIONS ÉLECTRIQUES – É.-U.	36
ELECTRICAL INSTALLATION - U.S.A.	14	INSTALLATION ÉLECTRIQUE – É.-U.	37
TROUBLESHOOTING	20	DÉPANNAGE	43
ASSISTANCE OR SERVICE	BACK COVER	ASSISTANCE OU SERVICE	COUVERTURE ARRIÈRE

DRYER SAFETY

Your safety and the safety of others are very important.

We have provided many important safety messages in this manual and on your appliance. Always read and obey all safety messages.



This is the safety alert symbol.

This symbol alerts you to potential hazards that can kill or hurt you and others.

All safety messages will follow the safety alert symbol and either the word “DANGER” or “WARNING.”

These words mean:

⚠ DANGER

You can be killed or seriously injured if you don't immediately follow instructions.

⚠ WARNING

You can be killed or seriously injured if you don't follow instructions.

All safety messages will tell you what the potential hazard is, tell you how to reduce the chance of injury, and tell you what can happen if the instructions are not followed.



WARNING - “Risk of Fire”

- Clothes dryer installation must be performed by a qualified installer.
- Install the clothes dryer according to the manufacturer's instructions and local codes.
- To reduce the risk of severe injury or death, follow all installation instructions.
- Save these instructions.

Certain internal parts are intentionally not grounded and may present a risk of electric shock only during servicing.

Service Personnel – Do not contact the thermostat bracket while the appliance is energized.

IMPORTANT SAFETY INSTRUCTIONS

WARNING: To reduce the risk of fire, electric shock, or injury to persons when using your appliance, follow basic precautions, including the following:

- Read all instructions before using the appliance.
- Do not dry articles that have been previously cleaned in, washed in, soaked in, or spotted with gasoline, dry-cleaning solvents, or other flammable or explosive substances, as they give off vapors that could ignite or explode.
- Risk of Suffocation and Injury from Entrapment: Do not allow children to play on or in the appliance. Close supervision of children is necessary when the appliance is used near children.
- Before the appliance is removed from service or discarded, remove the door to the drying compartment.
- Do not reach into the appliance if the drum is moving.
- Do not install or store this appliance where it will be exposed to the weather.
- Do not tamper with controls.
- Do not repair or replace any part of the appliance or attempt any servicing unless specifically recommended in the user-maintenance instructions or in published user-repair instructions that you understand and have the skills to carry out.
- Do not use fabric softeners or products to eliminate static unless recommended by the manufacturer of the fabric softener or product.
- Do not use heat to dry articles containing foam rubber or similarly textured rubber-like materials.
- Clean lint screen before or after each load.
- Keep area around the exhaust opening and adjacent surrounding areas free from the accumulation of lint, dust, and dirt.
- The interior of the appliance and exhaust duct should be cleaned periodically by qualified service personnel.
- Do not place items exposed to cooking oils in your dryer. Items contaminated with cooking oils may contribute to a chemical reaction that could cause a load to catch fire. To reduce the risk of fire due to contaminated loads, the final part of a tumble dryer cycle occurs without heat (cool down period). Avoid stopping a tumble dryer before the end of the drying cycle unless all items are quickly removed and spread out so that the heat is dissipated.
- Do not use replacement parts that have not been recommended by the manufacturer (e.g. parts made at home using a 3D printer).
- See the Installation Instructions for grounding requirements and installation.
- Do not install a booster fan in the exhaust duct.
NOTE: The booster fan warning does not apply to clothes dryers intended to be installed in a multiple clothes dryer system, with an engineered exhaust duct system that is installed per the clothes dryer manufacturer's guidelines.

SAVE THESE INSTRUCTIONS

IMPORTANT SAFETY INSTRUCTIONS

When discarding or storing your old clothes dryer, remove the door.

SAVE THESE INSTRUCTIONS

ACCESSORIES

INSTALLATION & MAINTENANCE ACCESSORIES

FACTORY CERTIFIED PARTS – these three words represent quality parts and accessories designed specifically for your appliance. Time tested engineering that meets our strict quality specifications.

FACTORY CERTIFIED PARTS

Accessories designed for your appliance:

Enhance your new washer and dryer with the following genuine Whirlpool accessories. For more information on options and ordering, call 1-866-698-2538, or visit us at: www.whirlpool.com/accessories. In Canada, call 1-800-807-6777 or visit us at www.whirlpoolparts.ca.



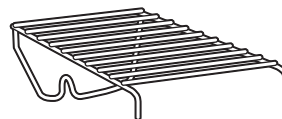
15" Pedestal

Color-matched pedestals raise the washer and dryer to a more comfortable working height. The large drawer provides convenient storage.



Stack Kit

If space is at a premium, the stack kit allows the dryer to be installed on top of the washer.



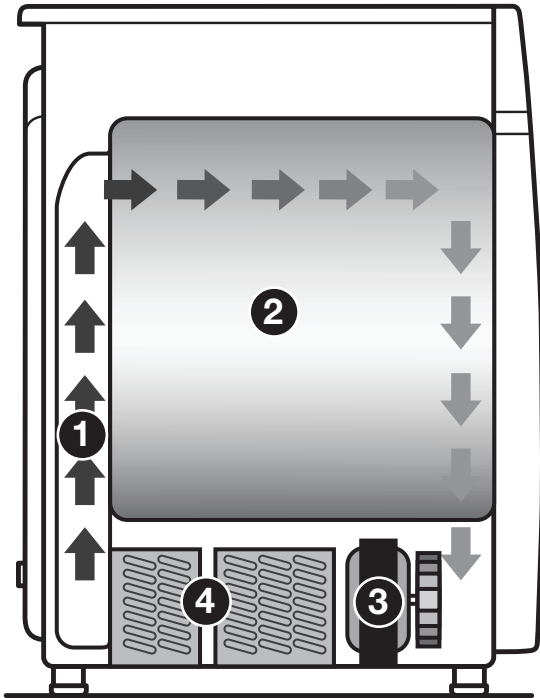
Drying Rack

The Drying Rack provides a stationary drying surface for items such as sweaters and tennis shoes. See the "Additional Features" section for more information.

HybridCare™ HEAT PUMP TECHNOLOGY

A typical dryer uses large amounts of energy; this dryer consumes a fraction of the energy by recycling and reclaiming heat. The HybridCare™ dryer is a ventless heat pump dryer that uses a refrigeration system to dry and recycle the same air. The laundry is dried with low temperatures; therefore it may feel cooler than expected during and after the drying process. The heat pump dryer's heating phase is longer than in traditional dryers. If possible, do not open the dryer door during the process as heat can escape from the drum and can make longer drying times.

HybridCare™ Heat Pump Unit



- 1 Heat Exchanger/Condenser is heating up the air
- 2 Drying
- 3 Air blower is cooling air
- 4 Evaporator is cooling and discharging condensation water

Benefits of HybridCare™ Heat Pump

- ENERGY: Regenerates energy to reduce overall energy consumption.
- PERFORMANCE: Two available modes allow flexibility to manage drying performance and energy savings.
- FABRIC CARE: Capability to use less heat than vented dryer.
- VENTLESS DESIGN: Allows installation in more locations throughout the home.

New Sounds from HybridCare™ Heat Pump

- Dryer runs on a compressor like your refrigerator and you may notice a hum from the compressor.
- The water from wet clothes is pumped out to your drain. You may notice a gurgling sound occasionally.

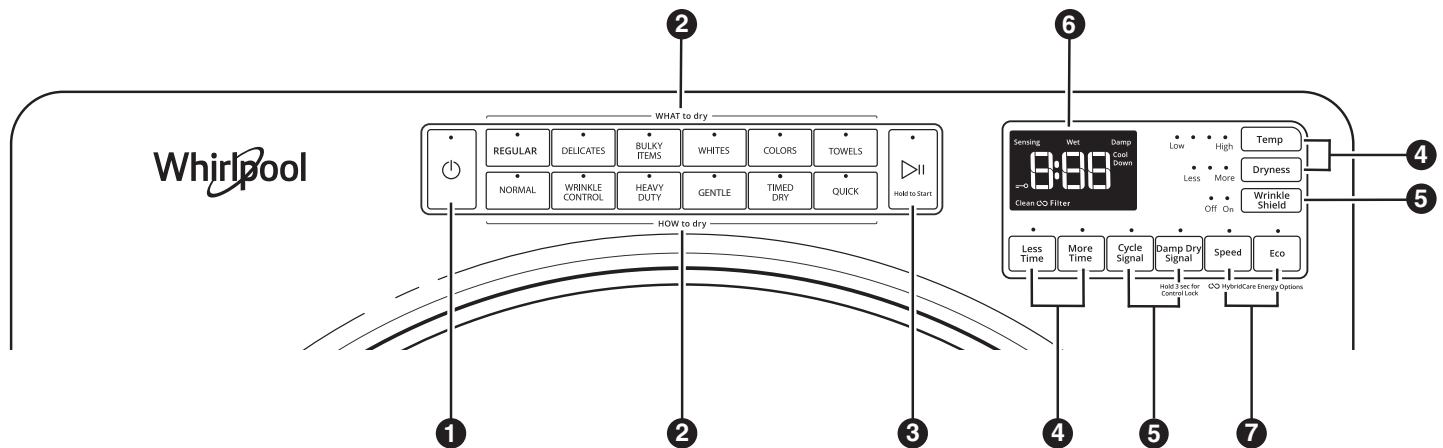
Use Automatic Cycles for better fabric care and energy savings

Use the Automatic Cycles to provide the most energy savings and enhanced fabric care from the dryer. During Automatic Cycles, drying air temperature, heat pump unit temperature, and moisture level are sensed in the load. This sensing occurs throughout the drying cycle and the dryer shuts off when the load reaches the selected dryness. Use the NORMAL dryness level to provide optimal energy savings.

With Timed Dry, the dryer runs the amount of time set and can result in shrinkage, wrinkling, and static due to over-drying. Use Timed Dry for the occasional damp load that needs a little more drying time or when using the drying rack.

CONTROL PANEL AND FEATURES

NOTE: The control panel features a sensitive surface that responds to a light touch of your finger. To ensure your selections are registered, touch the control panel with your finger tip, not your fingernail. When selecting a setting or option, simply touch its name.



1 POWER

Touch to turn the dryer on and off. Touch to stop/cancel a cycle at any time.

2 WHAT TO DRY/HOW TO DRY

Once a "What to Dry" is selected, the dryer automatically selects the recommended or last-used "How to Dry" option, as well as the recommended/last-used modifiers. Both the "How to Dry" and modifiers can be changed if desired. See the "Cycle Guide" for details.

3 START/PAUSE

Touch and hold until LED counts down "3-2-1" and the dryer starts; then let go to start a cycle, or touch once while a cycle is in process to pause it.

4 MODIFIERS

Use to select available modifiers for your dryer. Not all cycles and options are available on all models.

Temp

When using Timed Dry/Quick Cycle, you may select a dry temperature based on the type of load you are drying. Use the warmest setting that is safe for the garments in the load. Follow garment label instructions.

NOTE: Automatic Cycles will give you up to four temperatures to adjust, depending on the model and the "What to Dry" or "How to Dry" selections that have been made.

Dryness

You may adjust the Dryness on Automatic Cycles, if desired.

NOTE: Dryness is for use with Automatic Cycles only.

More Dry\Less Dry Timed Dry Adjust

Touch MORE TIME or LESS TIME with the Timed Dry/Quick cycle to increase or decrease the length of the cycle.

5 OPTIONS

Use to select available options for your dryer. Not all cycles and options are available on all models.

Wrinkle Shield™ Option

If you will be unable to remove a load immediately, touch Wrinkle Shield™ to add up to 150 minutes of periodic tumbling to help reduce wrinkling.

NOTE: If you open the dryer door prior to the end of the Wrinkle Shield™ option, the dryer will go into standby. You will need to touch Power to turn off or touch Start/Pause to continue Wrinkle Shield™ option.

Steam Refresh (steam models only)

This cycle is best for reducing wrinkles and odors from dry items. Cycle time will increase, depending on number of items. This is an independent cycle that cannot be combined with any other cycle.

Cycle Signal

Use this option to turn the signal indicating the end of a drying cycle to low, medium, high, or off. The volume you select here will also be applied to the Damp Dry Signal.

NOTE: You may also turn off the tones that sound when a feature, setting, or option is touched. Touch and hold CYCLE SIGNAL for about three seconds to turn sounds to low, medium, high, or off.

Damp Dry Signal

Touch to select the Damp Dry signal on or off. When selected, a series of beeps will sound when the load is damp, but not completely dry. This will allow you to take clothes out of the load that do not need to dry completely. This option is available on some cycles. The Damp Dry signal is selected as a default for the Bulky Items/Normal, Bulky Items/Wrinkle Control, and Bulky Items/Heavy Duty, as a reminder to manually reposition bulky loads midway through the cycle.

Control Lock

Use this option to lock the controls of the dryer and avoid an accidental change in cycle options or preferences during a drying cycle. Touch and hold DAMP DRY SIGNAL (depending on the model) for 3 seconds to lock or unlock the controls of the dryer. During this time, the LED Display will count down "3-2-1". Once the controls are locked, the LED Display will display "Loc."

NOTE: The Control Lock function may be enabled when recovering from a power failure. To unlock the control, touch and hold DAMP DRY SIGNAL for at least 3 seconds.

6 LED DISPLAY

When you select a cycle, its default settings will light up and the Estimated Time Remaining (for Automatic Cycles) will vary depending on “What to Dry” and “How to Dry” selections, or actual time remaining for Timed Dry cycles (for Manual Cycles) will be displayed.

CYCLE STATUS INDICATORS



The Cycle Status Indicators show the progress of a cycle. Not all indicators are available on all models.

Sensing

The Sensing indicator will light periodically during Sensor Cycles to indicate that the moisture sensor on the dryer is operating. This indicator will not light during Timed Cycles or options such as Wrinkle Shield™.

Wet

The load is still wet and/or the cycle just started.

Damp

This indicator shows that the load is partially dried and items that you may wish to hang up or iron while still damp may be removed.

Cool Down

The dryer has finished drying with heat and is now tumbling the load without heat to cool it down.

Clean HybridCare™ Filter

Clean HybridCare™ Filter light comes on after every 5th cycle. Light will reset after filter is cleaned and loaded back into dryer cabinet. For additional cleaning information, see “Dryer Care.”

NOTE: If there are other error issues during a cycle, the Clean HybridCare™ Filter indicator will not light up. See “Troubleshooting” section.

End

This will indicate that the selected cycle has ended and the load may be removed from the dryer. If Wrinkle Shield™ has been selected, the dryer may continue to tumble the load, even if “End” is displayed.

Control Lock

This will illuminate once the controls are locked.

7



HybridCare™ Energy OPTIONS

Use to select an available mode for your dryer. Your HybridCare™ dryer is more efficient in all modes than your typical dryer.

A Speed

This option saves time, but uses more energy.

B Eco

Eco is the default option for all cycles, which allows you to increase your energy savings by using a lower heat level. This will increase dry times.

NOTE: Energy savings may vary across loads and cycles.

CYCLE GUIDE

Your dryer, has a unique user interface to help you select the best cycle you need for your load. The “What to Dry” “How to Dry” layout guides you to the optimal cycle in two easy steps:

1. First determine what items are in the load that you are trying to dry. Use that to guide your “What to Dry” selection.
2. Then determine how you want the dryer to dry them by selecting the appropriate “How to Dry” selection. Modifiers are preset for the items being dried, but can be changed if desired.

To get the most energy savings and enhanced fabric care from your dryer use the Automatic cycles. These cycles measure the drying air temperature and moisture levels to turn the dryer off once the load reaches the selected dryness level. Dryer performance and results may vary with service voltage less than 240 V.

For best fabric care, choose the cycle that best fits the load being dried.

R – Recommended Cycle

a – Alternate Cycle

Blank – Cycle is available but not optimal.

		How do you want to dry?					
		“How to Dry” Cycle Selection					
		NORMAL	WRINKLE CONTROL	HEAVY DUTY	GENTLE	TIMED DRY	QUICK
		Regular		High Heat longer cycle	Hot High Heat	Set amount of dry time	Set amount of dry time
		Automatic Sensor Cycle stops when dryness level is reached.		Automatic Sensor Cycle stops when dryness level is reached.	Used to kill 99.9% of 3 common bacteria	Dryer runs for the amount of time selected.	Dryer runs for the amount of time selected
What do you want to dry?	“What to Dry” Cycle Selection						
Baby Clothes	REGULAR	R					
Pajamas		R					
Handkerchiefs		a			R		
T-Shirts		R					
Sweatshirts		a			R		

For best fabric care, choose the cycle that best fits the load being dried.

R – Recommended Cycle

a – Alternate Cycle

Blank – Cycle is available but not optimal.

		How do you want to dry?					
		“How to Dry” Cycle Selection					
		NORMAL	WRINKLE CONTROL	HEAVY DUTY	GENTLE	TIMED DRY	QUICK
		Regular		High Heat longer cycle	Hot High Heat	Set amount of dry time	Set amount of dry time
		Automatic Sensor Cycle stops when dryness level is reached.		Automatic Sensor Cycle stops when dryness level is reached.	Used to kill 99.9% of 3 common bacteria	Dryer runs for the amount of time selected.	Dryer runs for the amount of time selected
What do you want to dry?	“What to Dry” Cycle Selection						
Jeans	REGULAR (cont.)	a		R			
Cotton Drapes			R				
Machine Wash Curtains			R				
Tablecloth		R	a				
Business Casual			R				
No-Iron Fabrics			R				
Bras	DELICATES	a	R				
Fabric Shower Curtain			R				
Lingerie		a	R				
Sheers			R				
Undergarments		a	R				
Wool			R				
Dress Shirts/Pants		a	R				
Blankets	BULKY ITEMS	R		a			
Fabric Rugs		R					
Heavy Drapes		a		R			
Coats & Jackets		a		R			
Comforters		R		a			
Pet Bedding		a		R			
Pillows - Fiber Fill		a	R				
Sheets		R	a				
Sleeping Bags		R					
Stuffed Animals		R					
Cotton Undergarments	WHITES	R	a				
White Napkins		R	a				
Athletic	COLORS	R	a				
Performance Wear		R	a				
Colored Napkins		R	a				
Dish Cloths	TOWELS	a		R	a		
Towels		a		R	a		
Non-Rubber Lined Rugs			R				

NOTE: Government energy certifications for this model were based on the Regular + Normal Cycle, Highest Temperature Setting, Normal Dryness Level, EcoBoost On. The as-shipped defaults were the same as the Government Energy Certification Settings except the default Temperature Setting of Medium was adjusted to the Highest Temperature Setting. Cycles that are available for post-sale download may use more energy than the Normal cycle, upon which the energy use rating of this dryer is based.

USING YOUR DRYER

⚠️ WARNING



Explosion Hazard

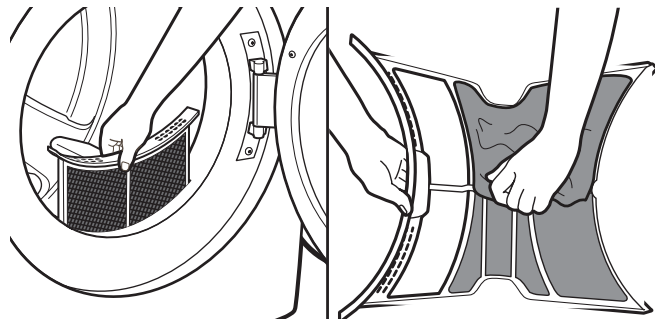
Keep flammable materials and vapors, such as gasoline, away from dryer.

Do not dry anything that has ever had anything flammable on it (even after washing).

Failure to follow these instructions can result in death, explosion, or fire.

WARNING: To reduce the risk of fire, electric shock, or injury to persons, read the IMPORTANT SAFETY INSTRUCTIONS before operating this appliance.

1. Clean the lint screen



Clean the lint screen before each load. Pull the lint screen straight up and out. Press tab down and open lint screen. Roll lint off the screen with your fingers. Push the lint screen firmly back into place.

IMPORTANT: Clean lint screen before each dryer use as a screen blocked with lint will increase drying time.

⚠️ WARNING



Fire Hazard

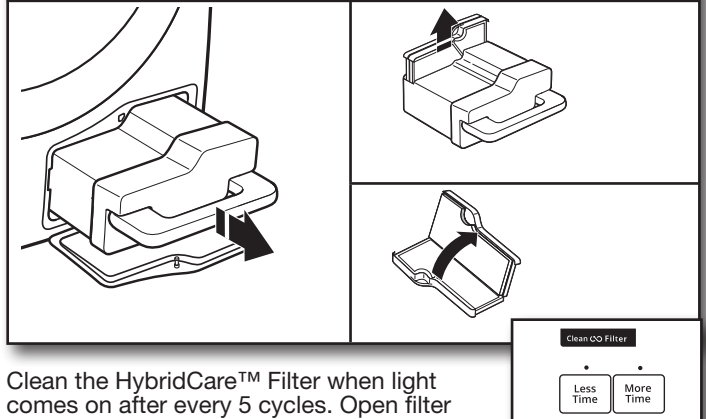
No washer can completely remove oil.

Do not dry anything that has ever had any type of oil on it (including cooking oils).

Do not dry items containing foam, rubber, or plastic in this dryer.

Failure to follow these instructions can result in death or fire.

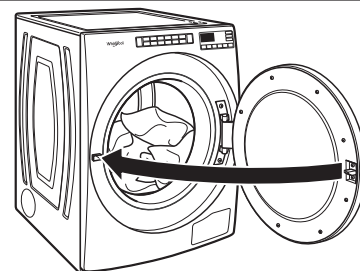
2. Clean HybridCare™ Filter



Clean the HybridCare™ Filter when light comes on after every 5 cycles. Open filter door on bottom of the dryer and grab the handle to pull out filter. Set filter on the dryer and pull out lint screen on bottom of filter. Roll lint off screen with fingers and place back in filter housing. (There maybe some water in the filter and this is normal.) For additional cleaning information, see “Dryer Care.”

IMPORTANT: For best drying performance, clean HybridCare™ Filter after every 5th load. Light will reset after filter is cleaned and loaded back into filter housing.

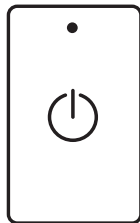
3. Load the dryer



Open the door by pulling on the handle. Place laundry in the dryer. Add a dryer sheet to wet load if desired. Close the door.

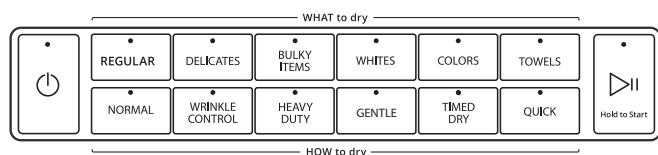
IMPORTANT: Do not tightly pack the dryer. Items need to tumble freely. Tightly packing can lead to poor drying performance and may increase wrinkling and tangling.

4. Touch POWER



Touch POWER to turn on the dryer.

5. Select type of load to dry



First select a cycle from the “What to Dry” (Automatic cycles) and then select the “How to Dry” to get the best combination cycle available for the type of items you are going to dry. See “Cycle Guide” for cycle details. Not all cycles are available on all models.

Automatic Cycles:

You can select a different dryness level, depending on your load. Touch DRYNESS to scroll to Less to More. Selecting Less to More automatically adjusts the dryness level at which the dryer will shut off. Dryness level can be changed in the first 5-8 minutes of the cycle.

Automatic Cycles give the best drying in the shortest time. Drying time varies based on fabric type, load size, and dryness setting.

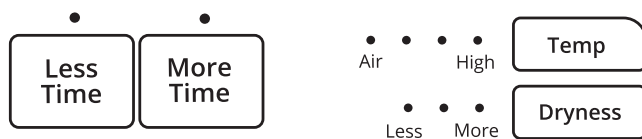
NOTE: Automatic Cycles will give you up to 4 temperatures to adjust and it varies, depending on the “What to Dry” or “How to Dry” selections that have been made.

TIMED DRY Cycle:

When you select Timed Dry/Quick, the default time appears in the display. Touch MORE TIME or LESS TIME to increase or decrease the time in 5 minute increments.

The default temperature may be changed by pressing Temperature until the desired dry temperature is lit.

6. Adjust cycle modifiers, if desired



You may adjust different settings, depending on what you are drying and how you are going to dry the item.

NOTE: Not all options and modifiers are available with all cycles. Not all cycles are on all models.



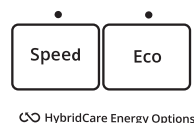
7. Select any additional options



Add additional options such as Cycle Signal, Damp Dry Signal and/or Wrinkle Shield™ by touching that option. If you will be unable to remove the load promptly, select Wrinkle Shield™ before touching START/PAUSE.

NOTE: Not all options and settings are available with all cycles.

8. Select HybridCare™ Energy options



The display will show the HybridCare™ Energy Options for all cycles. To adjust an option, touch its name – Speed or Eco.

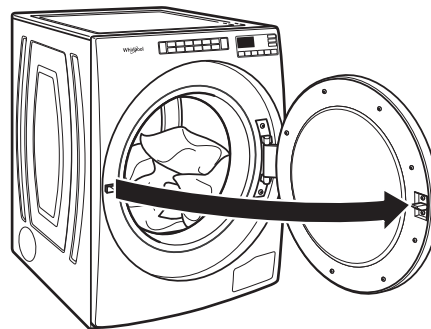
NOTE: All settings and options are not available with all programs.

9. Touch and hold START/PAUSE to begin cycle



Touch and hold START/PAUSE to begin the cycle.

10. Remove garments promptly after cycle is finished



Promptly remove garments after cycle has completed to reduce wrinkling.

ADDITIONAL FEATURES

USING THE DRYING RACK

To purchase a drying rack for your dryer, see “Accessories” section for more information. You will need your model and serial number and the purchase date. Remove and discard any packing material before use.

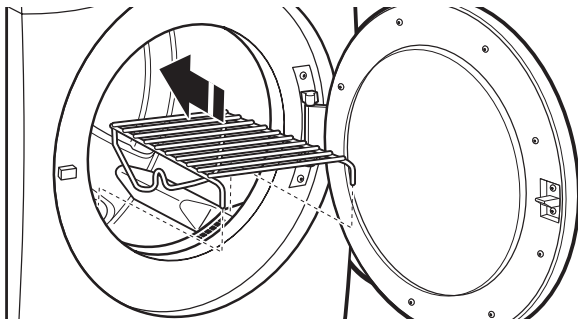
Use the Drying Rack for items that you do not want to tumble dry, such as sweaters and tennis shoes. When you use the drying rack, the drum continues to turn, but the rack remains stationary.

The drying rack is intended for use with the Manual Dry/Timed Dry cycles only. The drying rack cannot be used with Automatic cycles.

To use the drying rack:

IMPORTANT: Do not remove the lint screen.

1. Open dryer door.



2. Align the two hooks on the front of the drying rack with the holes in the dryer door opening and press down fully into holes. Rest the rear support on the dryer back ledge.



3. Place wet items on top of the drying rack. Allow space around items for air to circulate. The drying rack does not move, but the drum will rotate; be sure to leave adequate clearance between items and the inside of the dryer drum. Make sure items do not hang over the edges or between drying rack grille.
4. Close the door.
5. Select a Timed Dry, or Low Temperature cycle. Items containing foam, rubber, or plastic must be dried on a clothesline.
6. When the cycle is selected, the Estimated Time Remaining display shows the default time. You can change the actual time in the cycle by increasing or decreasing the cycle time.
7. Start the dryer.

NOTE: Check the lint screen and remove any lint accumulated from items dried on the drying rack after the cycle is finished.

DRYER CARE

CLEANING THE DRYER LOCATION

Keep dryer area clear and free from items that would block the airflow for proper dryer operation. This includes clearing piles of laundry in front of the dryer.

⚠ WARNING



Explosion Hazard

Keep flammable materials and vapors, such as gasoline, away from dryer.

Place dryer at least 18 inches (460 mm) above the floor for a garage installation.

Failure to do so can result in death, explosion, or fire.

CLEANING THE DRYER INTERIOR

To clean dryer drum:

1. Use a mild hand dish detergent mixed at a low concentration with very warm water, and rub with a soft cloth.
2. Rinse well with a wet sponge or towel.
3. Tumble a load of clean clothes or towels to dry drum OR

Use a microfiber cloth and hot water in a spray bottle to clean the drum and a second microfiber towel to dry.

NOTE: Garments that contain unstable dyes, such as denim blue jeans or brightly colored cotton items, may discolor the rear of the dryer interior. These stains are not harmful to your dryer and will not stain future loads of clothes. Dry unstable dye items inside out to avoid transfer of dye.

REMOVING ACCUMULATED LINT

From Inside the Dryer Cabinet

Lint should be removed every 2 years, or more often, depending on dryer usage. Cleaning should be done by a qualified appliance servicer.

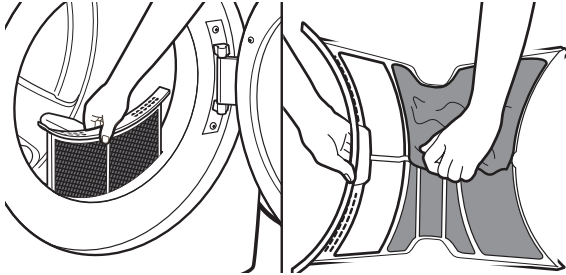
CLEANING THE LINT SCREEN

Clean lint screen after every load

The lint screen is located in the door opening of the dryer. A screen blocked by lint can increase drying time.

To clean:

1. Pull the lint screen straight up and out. Press tab down and open lint screen. Roll lint off the screen with your fingers.



2. Push the lint screen firmly back into place.

IMPORTANT:

- Do not run the dryer with the lint screen loose, damaged, blocked, or missing. Doing so can cause overheating and damage to both the dryer and fabrics.

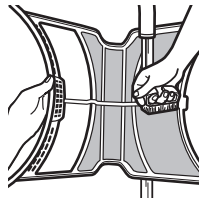
As needed cleaning

Laundry detergent and fabric softener residue can build up on the lint screen. This buildup can cause longer drying times for your clothes, or cause the dryer to stop before your load is completely dry. The screen is probably clogged if lint falls off while the screen is in the dryer.

Clean the lint screen with a nylon brush every 6 months, or more frequently, if it becomes clogged due to a residue buildup.

To wash lint screen:

1. Roll lint off the screen with your fingers.
2. Wet both sides of lint screen with hot water.
3. Wet a nylon brush with hot water and liquid detergent. Scrub lint screen with the brush to remove residue buildup.
4. Rinse screen with hot water.
5. Thoroughly dry lint screen with a clean towel. Reinstall screen in dryer or lint filter.

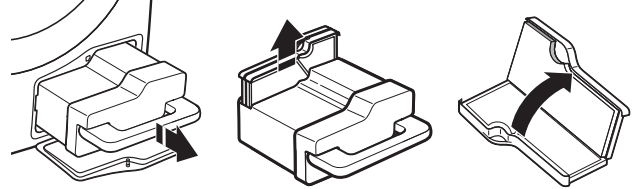


CLEANING THE HybridCare™ FILTER AND FILTER LINT SCREEN

Clean HybridCare™ filter after every 5 loads

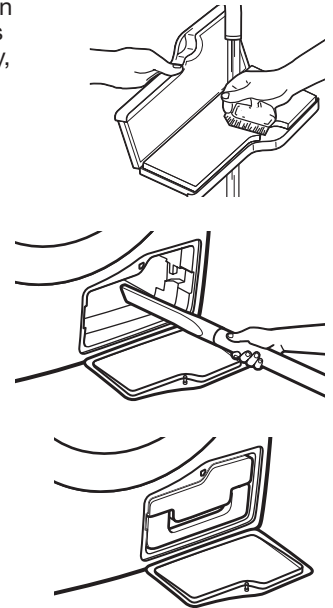
The filter is located in bottom corner of dryer. The control panel has an indicator light to remind you to clean the HybridCare™ filter.

1. Open the bottom filter door. Lift handle up and pull out filter. Set filter on the dryer and pull out lint screen located at the back of the filter. Remove lint off the screen with your fingers.



NOTE: If lint still remains on screen then wet both sides with hot water. If necessary, wet a nylon brush with hot water and liquid detergent. Scrub lint screen with the brush to remove residue buildup. Rinse screen with hot water.

2. Clean the filter housing and mesh inside with a damp cloth, household vacuum cleaner, or soft brush. Clean the screen at the back of the filter cabinet once a month.
3. Put lint screen back into filter and put filter back in dryer cabinet. Dryer will not operate without filter and make sure the handle is downward to lock in place. LF will display if not properly seated.



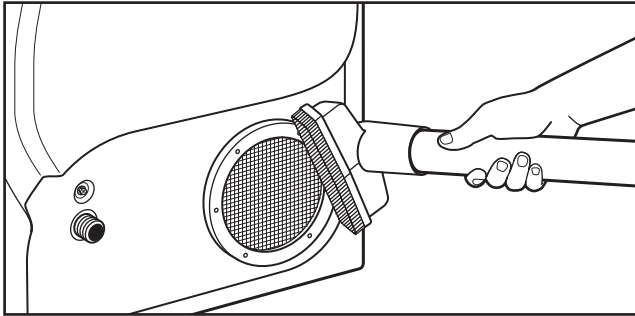
IMPORTANT:

- Do not run the dryer with the filter loose, damaged, blocked, or missing. Doing so can cause overheating and damage to both the dryer and fabrics.

CLEANING THE COOLING FAN SCREEN

The cooling fan screen is located on the back lower right of the dryer. Pull dryer away from wall and vacuum cooling fan screen with brush attachment.

IMPORTANT: Clean cooling fan screen, if needed, for optimal performance. A blocked screen will increase drying time.



⚠ WARNING



Electrical Shock Hazard

Disconnect power before servicing.

Replace all parts and panels before operating.

Failure to do so can result in death or electrical shock.

NON-USE, STORAGE, AND MOVING CARE

Install and store your dryer where it will not freeze. Because some water may stay in the hose, freezing can damage your dryer. If storing or moving your dryer during freezing weather, winterize it.

Non-Use or Storage Care

Operate your dryer only when you are at home. If you will be on vacation or not using your dryer for an extended period of time, you should:

1. Unplug dryer or disconnect power.
2. Clean lint screen. See "Cleaning the Lint Screen."

Moving Care

For power supply cord-connected dryers:

1. Unplug the power supply cord.
2. Make sure leveling legs are secure in dryer base.
3. Use tape to secure dryer door.

For direct-wired dryers:

1. Disconnect power.
2. Disconnect wiring.
3. Make sure leveling legs are secure in dryer base.
4. Use tape to secure dryer door.

Reinstalling the Dryer

Follow the Installation Instructions to locate, level, and connect the dryer.

Electrical Requirements - U.S.A

It is your responsibility:

- To contact a qualified electrical installer.
- To be sure that the electrical connection is adequate and in conformance with the National Electrical Code, ANSI/NFPA 70 – latest edition and all local codes and ordinances. The National Electrical Code requires a 4-wire power supply connection for homes built after 1996, dryer circuits involved in remodeling after 1996, and all mobile home installations. A copy of the above code standards can be obtained from: National Fire Protection Association, One Batterymarch Park, Quincy, MA 02169-7471.
- To supply the required 3- or 4-wire, single-phase, 120 V/240 V, 60 Hz AC only electrical supply (or 3- or 4-wire, 120 V/208 V electrical supply, if specified on the serial/rating plate) on a separate 30 A circuit, fused on both sides of the line. Connect to an individual branch circuit. Do not have a fuse in the neutral or grounding circuit.
- Do not use an extension cord.
- If codes permit and a separate ground wire is used, it is recommended that a qualified electrician determine that the ground path is adequate.

Electrical Connection

Electrical connection you will be using and follow the instructions provided for it here.

- This dryer is manufactured ready to install with a 3-wire electrical supply connection. The neutral bond conductor is permanently connected to the neutral conductor (white wire) within the dryer. If the local electrical codes require the use of a ground-fault circuit interrupter, then a 4 wire electrical supply connection is required. The neutral bond conductor must be removed from the external ground connector (green screw), and secured under the neutral terminal (center or white wire) of the terminal block. When the neutral bond conductor is secured under the neutral terminal (center or white wire) of the terminal block, the dryer cabinet is isolated from the neutral conductor. The green ground wire of the 4-wire power cord must be secured to the dryer cabinet with the green ground screw.
- If local codes do not permit the connection of a neutral bond wire to the neutral wire, see “Optional 3-Wire Connection.”
- A 4-wire power supply connection must be used when the appliance is installed in a location where grounding through the neutral conductor is prohibited. Grounding through the neutral conductor is prohibited for (1) new branch-circuit installations after 1996, (2) mobile homes, (3) recreational vehicles, and (4) areas where local codes prohibit grounding through the neutral conductors.

If using a power supply cord:

Use a UL listed power supply cord kit marked for use with clothes dryers. The kit should contain:

- A UL listed 30 A power supply cord, rated 120 V/240 V minimum. The cord should be type SRD or SRDT and be at least 4 ft (1.22 m) long. The wires that connect to the dryer must end in ring terminals or spade terminals with upturned ends.
- A UL listed strain relief.

If your outlet looks like this:



4-wire receptacle
(14-30R)

Then choose a 4-wire power supply cord with ring or spade terminals and UL listed strain relief. The 4-wire power supply cord, at least 4 ft (1.22 m) long, must have four 10-gauge copper wires and match a 4-wire receptacle of NEMA Type 14-30 R. The ground wire (ground conductor) may be either green or bare. The neutral conductor must be identified by a white cover.

If your outlet looks like this:



3-wire receptacle
(10-30R)

Then choose a 3-wire power supply cord with ring or spade terminals and UL listed strain relief. The 3-wire power supply cord, at least 4 ft (1.22 m) long, must have three 10-gauge copper wires and match a 3-wire receptacle of NEMA Type 10-30R.

If connecting by direct wire:

Power supply cable must match power supply (4-wire or 3-wire) and be:

- Flexible armored cable or nonmetallic sheathed copper cable (with ground wire), covered with flexible metallic conduit. All current-carrying wires must be insulated.
- 10-gauge solid copper wire (do not use aluminum) at least 5 ft (1.52 m) long.

GROUNDING INSTRUCTIONS

- For a grounded, cord-connected dryer:
This dryer must be grounded. In the event of malfunction or breakdown, grounding will reduce the risk of electric shock by providing a path of least resistance for electric current. This dryer uses a cord having an equipment-grounding conductor and a grounding plug. The plug must be plugged into an appropriate outlet that is properly installed and grounded in accordance with all local codes and ordinances.
- For a permanently connected dryer:
This dryer must be connected to a grounded metal, permanent wiring system, or an equipment-grounding conductor must be run with the circuit conductors and connected to the equipment-grounding terminal or lead on the dryer.

WARNING: Improper connection of the equipment-grounding conductor can result in a risk of electric shock. Check with a qualified electrician or service representative or personnel if you are in doubt as to whether the dryer is properly grounded. Do not modify the plug on the power supply cord: if it will not fit the outlet, have a proper outlet installed by a qualified electrician.

SAVE THESE INSTRUCTIONS

Electrical Installation - U.S.A.

⚠WARNING



Fire Hazard

For power supply cord, use a new UL listed 30 A power supply cord.

For direct wire, use 10 gauge copper wire.

Use a UL listed strain relief.

Disconnect power before making electrical connections.

Connect neutral wire (white or center wire) to center terminal (silver).

Connect ground wire (green or bare wire) to green ground connector.

Connect remaining 2 supply wires to remaining 2 terminals (gold).

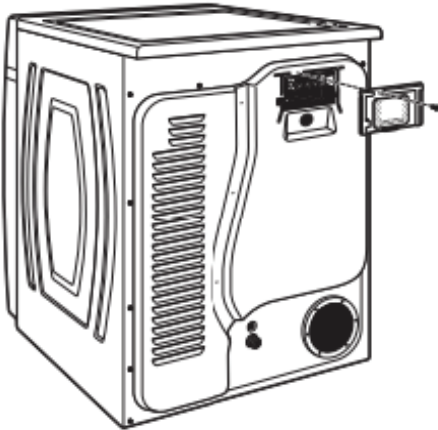
Securely tighten all electrical connections.

Failure to do so can result in death, fire, or electrical shock.

1. Disconnect power

2. Remove terminal block cover

NOTE: Your terminal block cover may be in a different location.



Remove hold-down screw and terminal block cover.

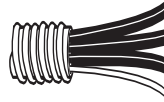
1. Choose electrical connection type



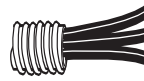
Power supply cord 4-wire receptacle (NEMA Type 14-30R): Refer to “4-Wire Power Supply Connection”. Then, go to “Venting Requirements.”



Power supply cord 3-wire receptacle (NEMA Type 10-30R): Refer to “3-Wire Power Supply Connection”. Then, go to “Venting Requirements.”



4-wire direct connection: Go to “Direct Wire Strain Relief,” then “4-Wire Direct Wire Connection,” then, go to “Venting Requirements.”



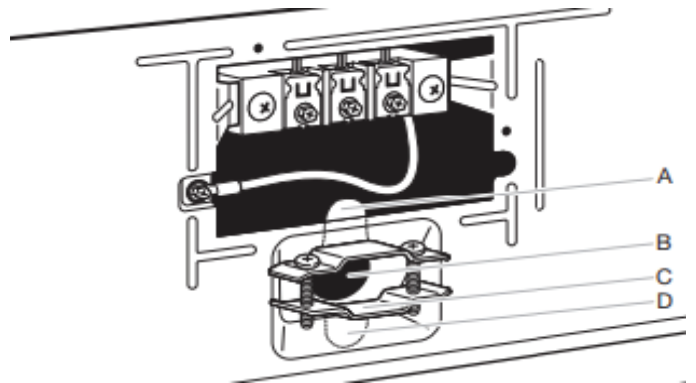
4-wire direct connection: Go to “Direct Wire Strain Relief,” then “4-Wire Direct Wire Connection,” then, go to “Venting Requirements.”

NOTE: If local codes do not permit connection of a cabinet-ground conductor to neutral wire, go to “Optional External Ground for 3-Wire Connection.” This connection can be used with either a power supply cord or a direct wire connection.

Power Supply Cord Connection

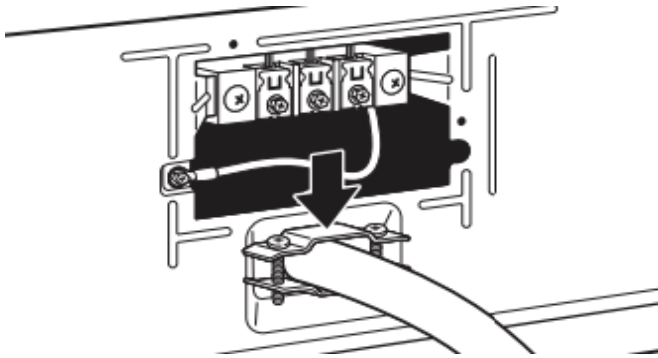
Power Supply Cord Strain Relief

1. Attach Power Supply Cord Connection



Remove the screws from a 3/4" (19 mm) UL listed strain relief (UL marking on strain relief). Put the tabs of the two clamp sections (C) into the hole below the terminal block opening (B) so that one tab is pointing up (A) and the other is pointing down (D), and hold in place. Tighten strain relief screws just enough to hold the two clamp sections (C) together.

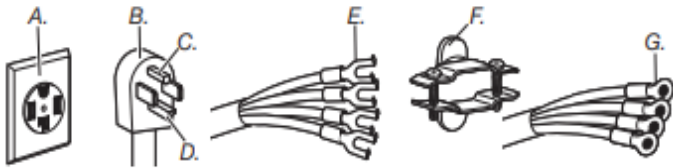
2. Attach power supply cord to strain relief



Put power supply cord through the strain relief. Be sure that the wire insulation on the power supply cord is inside the strain relief. The strain relief should have a tight fit with the dryer cabinet and be in a horizontal position. Tighten the strain relief against the power supply cord. Do not overtighten the strain relief screws.

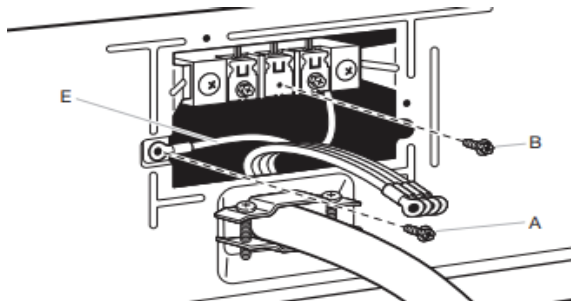
4-Wire Power Supply Connection

IMPORTANT: A 4-wire connection is required for mobile homes and where local codes do not permit the use of 3-wire connections.



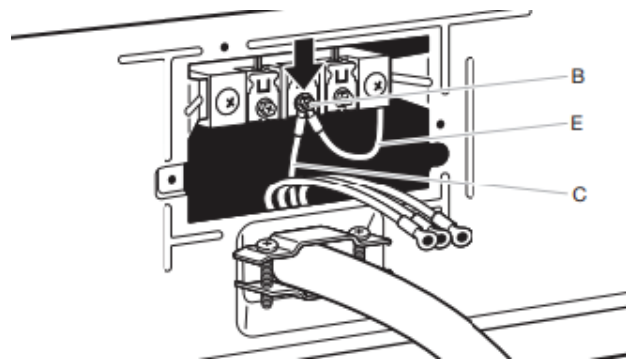
- | | |
|---|---|
| A. 4-wire receptacle (NEMA type 14-30R) | E. Spade terminals with upturned ends |
| B. 4-prong plug | F. 3/4" (19 mm) UL listed strain relief |
| C. Ground prong | G. Ring terminals |
| D. Neutral prong | |

3. Prepare ground wire appliance installation



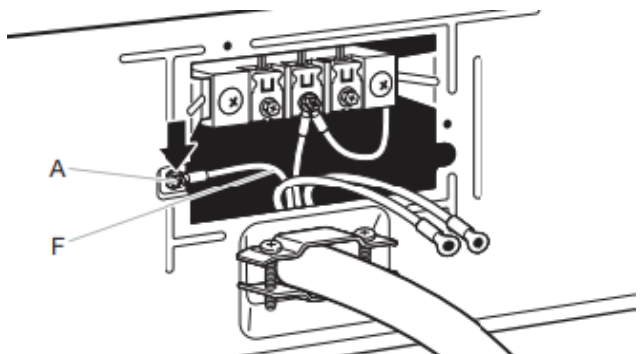
Remove center terminal block screw (B). Remove neutral bond wire (E) from green external ground conductor screw (A).

4. Connect neutral bond wire and neutral wire



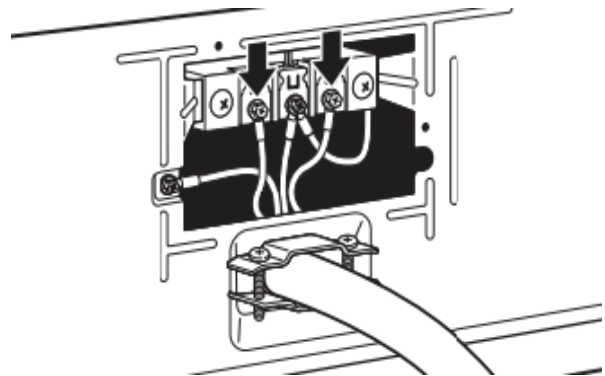
Connect neutral bond wire (E) and neutral wire (white or center) (C) of power supply cord under center terminal block screw (B). Tighten screw.

5. Connect ground wire



Connect ground wire (F) (green or bare) of power supply cord under green external ground conductor screw (A). Tighten screw.

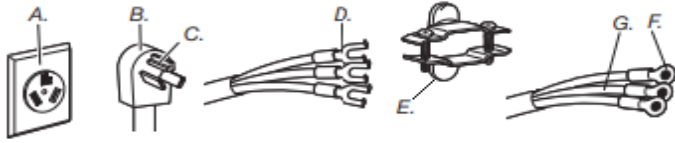
6. Connect remaining wires



Connect remaining wires under outer terminal block screws. Tighten screws. Insert tab of terminal block cover into slot of dryer rear panel. Secure cover with hold-down screw. Now, go to "Venting Requirements."

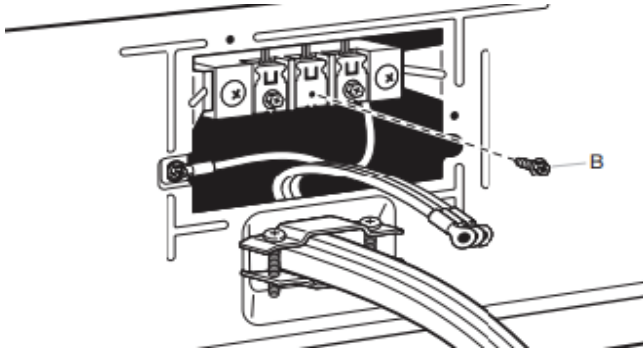
3-Wire Power Supply Connection

IMPORTANT: Use where local codes permit connecting cabinet-ground conductor to neutral wire.



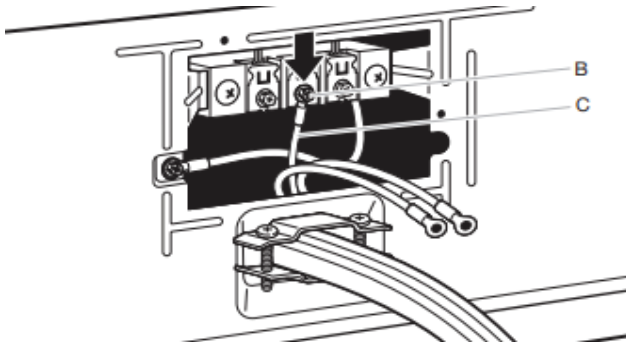
- A. 3-wire receptacle (NEMA type 14-30R)
- B. 3-prong plug
- C. Neutral prong
- D. Spade terminals with upturned ends
- E. 3/4" (19 mm) UL listed strain relief
- F. Ring terminals
- G. Neutral (white or center wire)

3. Remove center screw



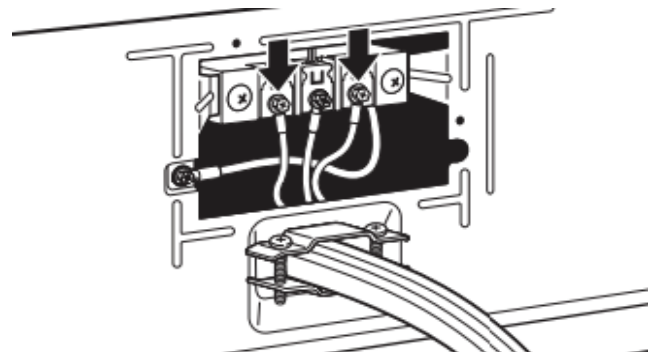
Remove center terminal block screw (B).

4. Connect neutral wire



Connect neutral wire (white or center) (C) of power supply cord under center terminal block screw (B). Tighten screw.

5. Connect remaining wires

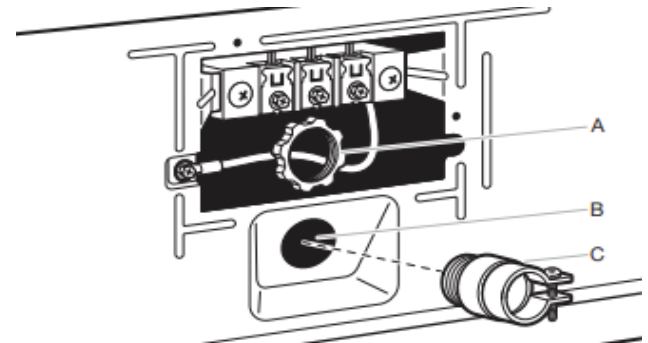


Connect remaining wires under outer terminal block screws. Tighten screws. Insert tab of terminal block cover into slot of dryer rear panel. Secure cover with hold-down screw. Now, go to "Venting Requirements."

Direct Wire Connection

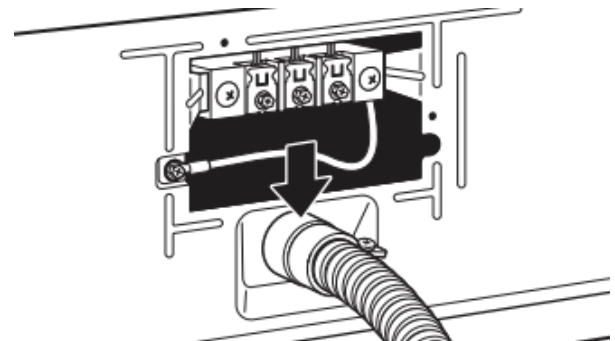
Power Supply Cord Strain Relief

1. Attach direct wire strain relief



Unscrew the removable conduit connector (A) and any screws from a 3/4" (19 mm) UL listed strain relief (UL marking on strain relief). Put the threaded section of the strain relief through the hole below the terminal block opening (B). Reaching inside the terminal block opening, screw the removable conduit connector (A) onto the strain relief threads (C) and tighten securely.

2. Attach direct wire cable to strain relief



Put direct wire cable through the strain relief. The strain relief should have a tight fit with the dryer cabinet and be in a horizontal position. Tighten strain relief screw against the direct wire cable.

For 4-wire Direct Wire Connection, continue to step 3.



4-wire direct wire connection: Go to "4-Wire Direct Wire Connection."

For 3-wire Direct Wire Connection, continue to step 3.

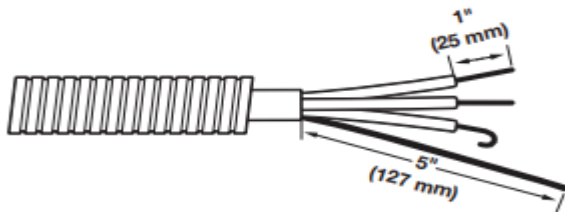


3-wire direct wire connection: Go to "3-Wire Direct Wire Connection."

4-Wire Direct Wire Connection

IMPORTANT: A 4-wire connection is required for mobile homes and where local codes do not permit 3-wire connections.

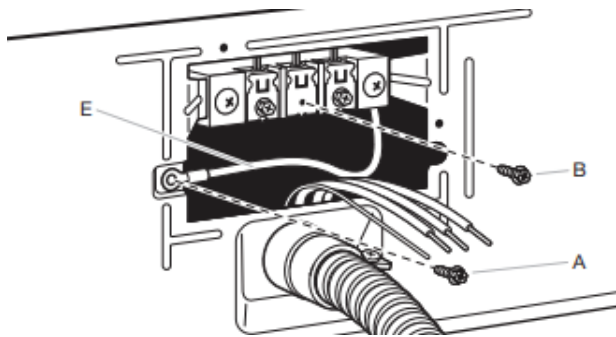
3. Prepare your 4-wire cable for direct connection



Direct wire cable must have 5 ft (1.52 m) of extra length so dryer may be moved if needed.

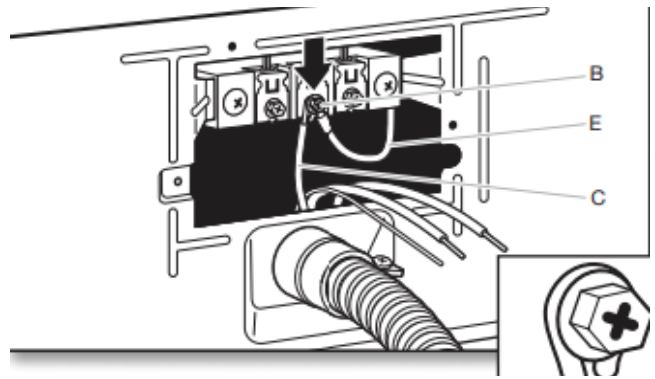
Strip 5" (127 mm) of outer covering from end of cable, leaving bare ground wire at 5" (127 mm). Cut 1 1/2" (38 mm) from remaining 3 wires. Strip insulation back 1" (25 mm). Shape ends of wires into hooks.

4. Prepare to connect neutral bond wire and neutral wire



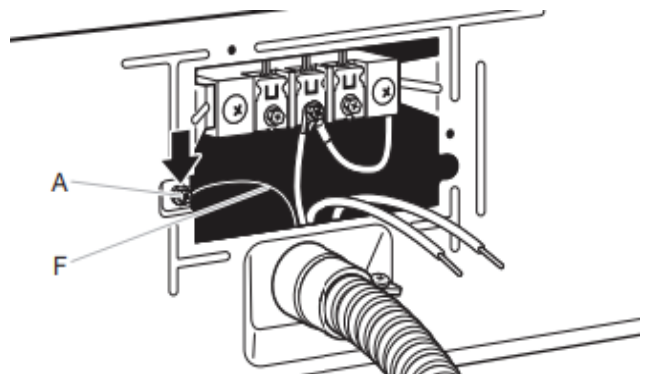
Remove center terminal block screw (B). Remove neutral bond wire (E) from green external bond conductor screw (A).

5. Connect neutral bond wire and neutral wire



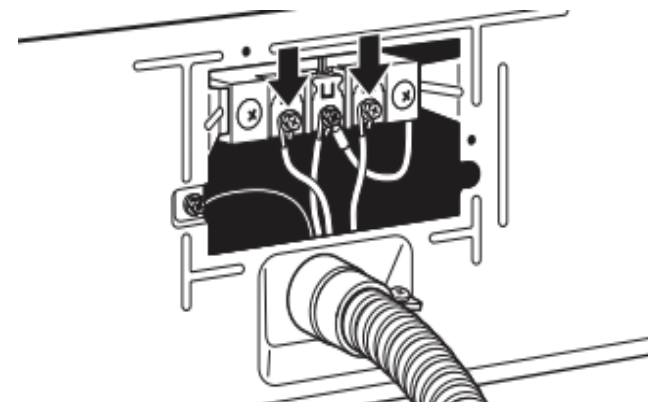
Connect neutral bond wire (E) and place hooked end (hook facing right) of neutral wire (white or center wire) (C) of direct wire cable under center screw of terminal block (B). Squeeze hooked ends together and tighten screw.

6. Connect ground wire



Connect ground wire (green or bare) (F) of direct wire cable under green external ground conductor screw (A). Tighten screw.

7. Connect remaining wires

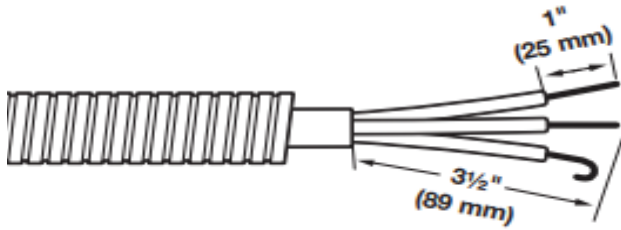


Place hooked ends of remaining direct wire cable wires under outer terminal block screws (hooks facing right). Squeeze hooked ends together and tighten screws. Insert tab of terminal block cover into slot of dryer rear panel. Secure cover with hold-down screw. Now, go to "Venting Requirements."

3-Wire Direct Wire Connection

IMPORTANT: Use where local codes permit connecting cabinet-ground conductor to neutral wire.

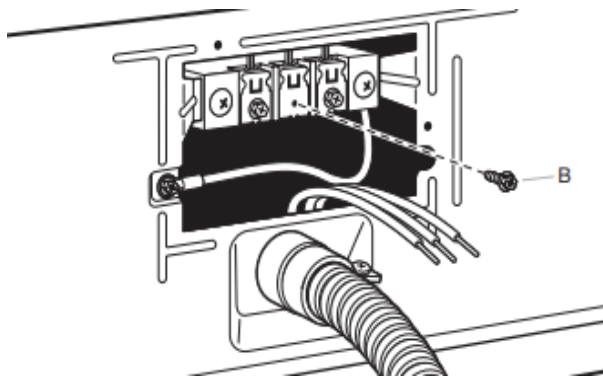
3. Prepare your 3-wire cable for direct connection



Direct wire cable must have 5 ft (1.52 m) of extra length so dryer may be moved if needed.

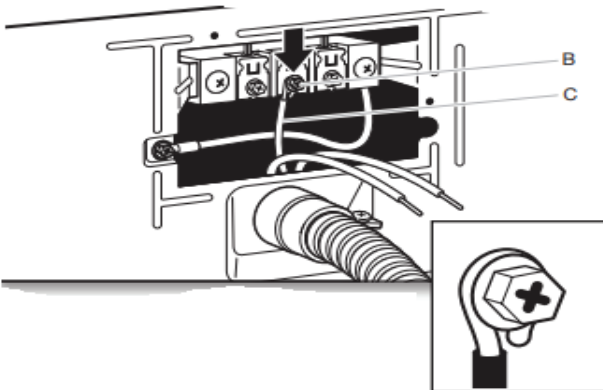
Strip 3 1/2" (89 mm) of outer covering from end of cable. Strip insulation back 1" (25 mm). If using 3-wire cable with ground wire, cut bare wire even with outer covering. Shape wire ends into hooks.

4. Remove center wire



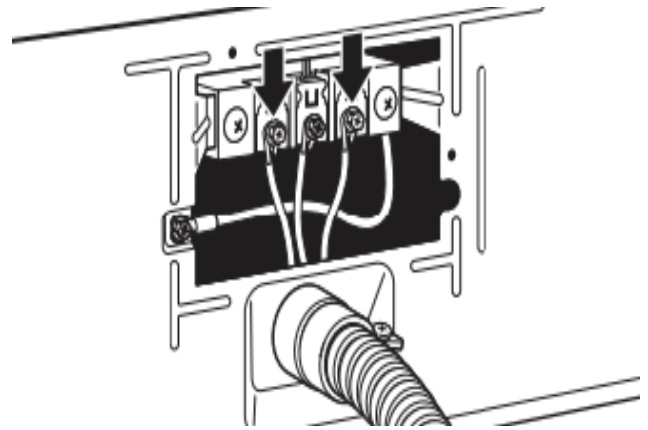
Remove center terminal block screw (B).

5. Connect neutral wire



Place hooked end of neutral wire (white or center) (C) of direct wire cable under center terminal block screw (B). Squeeze hooked end together. Tighten screw.

6. Connect remaining wires

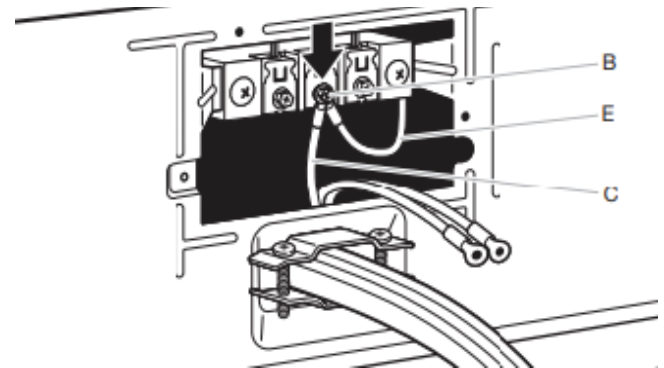


Place hooked ends of remaining direct wire cable wires under outer terminal block screws (hooks facing right). Squeeze hooked ends together and tighten screws. Insert tab of terminal block cover into slot of dryer rear panel. Secure cover with hold-down screw. Now, go to "Venting Requirements."

Optional 3-Wire Connection (Power Supply Cord Shown)

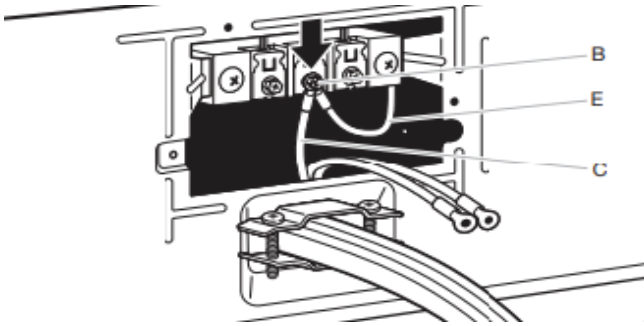
IMPORTANT: You must verify with a qualified electrician that this grounding method is acceptable before connecting.

1. Prepare to connect neutral bond wire and neutral wire



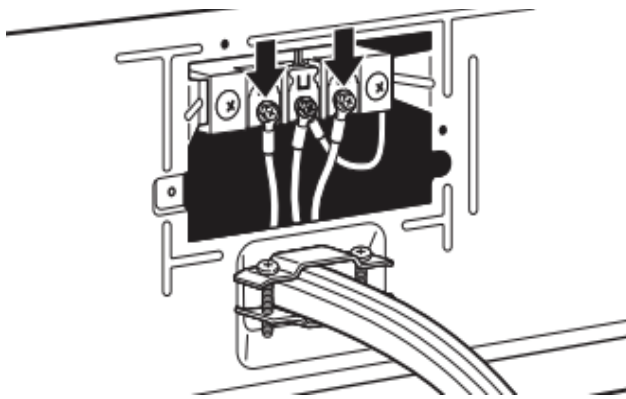
Install the correct strain relief for your electrical connection method. Remove center terminal block screw (B). Remove neutral bond wire (E) from green external ground conductor screw (A).

2. Connect neutral bond wire and neutral wire



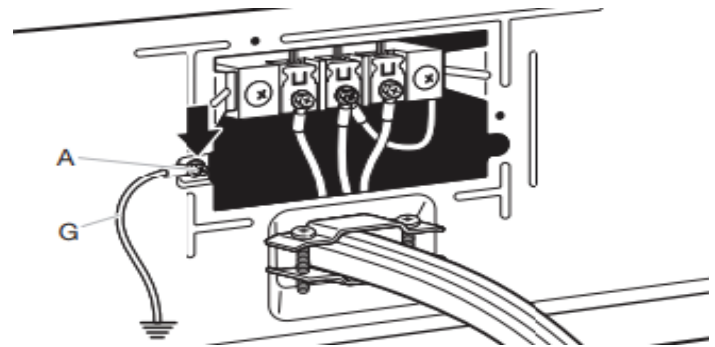
Connect neutral bond wire (E) and neutral wire (white or center wire) (C) of power supply cord or cable under center terminal block screw (B). Tighten screw.

3. Connect remaining wires



Place remaining wires under outer terminal block screws. Tighten screws.

4. Connect external ground wire



Connect a separate copper ground wire (G) from the green external ground conductor screw (A) to an adequate ground. Insert tab of terminal block cover into slot of dryer rear panel. Secure cover with hold-down screw. Now, go to "Venting Requirements."

TROUBLESHOOTING

First try the solutions suggested here or visit our website at www.whirlpool.com/product_help –
In Canada www.whirlpool.ca for assistance and to possibly avoid a service call.

If you experience	Possible Causes	Solution
Dryer Operation		
Dryer will not run	Door not closed completely.	Make sure the dryer door is closed completely.
	START/PAUSE not touched firmly or held long enough.	Touch and hold START/PAUSE 2–5 seconds.
	Lint filter and/or HybridCare™ filter not in place.	Place filter back in dryer and make sure the handle is properly seated. LF will display if not properly seated.
	Household fuse is blown or circuit breaker has tripped.	There may be 2 household fuses or circuit breakers for the dryer. Check that both fuses are intact and tight, or that both circuit breakers have not tripped. Replace the fuses or reset the circuit breaker. If the problem continues, call an electrician.
	Incorrect power supply.	Electric dryers require 240 V power supply. Check with a qualified electrician.
	Wrong type of fuse.	Use a time-delay fuse.
Dryer will not heat	Household fuse is blown or circuit breaker has tripped.	The drum may be turning, but you may not have heat. Electric dryers use 2 household fuses or circuit breakers. Replace the fuses or reset the circuit breaker. If the problem continues, call an electrician.
	Incorrect power supply.	Electric dryers require 240 V power supply. Check with a qualified electrician.
Unusual Noise		
Thumping noise	Dryer hasn't been used in a while.	This is due to temporary flat spots on the drum rollers. The thumping sound will diminish after a few minutes.
Rattling or vibrating noise	A small object caught between the edges of dryer drum.	Check the front and rear edges of the drum for small objects. Clean out pockets before laundering.
	Dryer isn't properly leveled.	The dryer may vibrate if not properly installed. See the Installation Instructions. All four dryer feet should be in firm contact with the floor.
	Clothing is balled up in dryer.	When balled up, the load will bounce, causing the dryer to vibrate. Separate the load items and restart the dryer.
Loud humming or increased noise during cycle	Load is packed tightly.	Reduce load size to recommended load size in "Cycle Guide." Run the dryer for 5–10 minutes.
Dryer Results		
Clothes are not drying satisfactorily or drying times are too long	Lint screen is clogged with lint.	Clean lint screen before each load.
	HybridCare™ filter and screen is clogged with lint.	Clean HybridCare™ filter after every 5th cycle. Clean screen behind filter once a month.
	Cooling fan screen is blocked with lint.	Pull dryer out and make sure cooling fan has proper ventilation. Clean cooling fan screen on back of dryer monthly, or as needed.
	The dryer is not level.	Clothes not contacting the moisture sensors during Automatic cycles. See "Level Dryer" in the Installation Instructions.
	The load is too large and heavy to dry quickly.	Separate the load to tumble freely.
	Fabric softener sheets are blocking the grille.	The air outlet grille is just inside the door, behind the lint screen. Check that it is not blocked by a fabric softener sheet. Use only one fabric softener sheet, and use it only once.
	The dryer is located in a room with temperature below 45°F (7°C).	Proper operation of dryer cycles requires temperatures above 45°F (7°C).
	The dryer is located in a closet.	Closet doors must have ventilation openings at the top and bottom of the door. The front of the dryer requires a minimum of 1" (25 mm) of airspace, and, for most installations, the rear of the dryer requires 5" (127 mm). See the Installation Instructions.

TROUBLESHOOTING

First try the solutions suggested here or visit our website at www.whirlpool.com/product_help -
In Canada www.whirlpool.ca for assistance and to possibly avoid a service call.

If you experience	Possible Causes	Solution
Dryer Results (cont.)		
There may be some water in the HybridCare™ filter or on floor	The dryer is not level.	Dryer needs to have a slope less than 1" (25 mm). See "Level Dryer" in the Installation Instructions.
	HybridCare™ filter is not properly seated.	Make sure filter is placed in the housing cabinet correctly. See "Cleaning the HybridCare™ Filter and Lint Screen."
	Drain hose is longer than what was provided.	Drain hose can be installed no higher than 72" (1.8 m) from bottom of the dryer. See "Drain System" in the Installation Instructions.
Cycle time is too short	The load may not be contacting the sensor strips on Automatic Cycles.	Level the dryer. See the Installation Instructions. All four dryer feet should be in firm contact with the floor.
	The automatic cycle is ending early.	Change the dryness level setting on Automatic Cycles. Increasing or decreasing the dryness level will change the amount of drying time in a cycle. If loads are consistently ending too early, also see "Changing the Automatic Cycle settings to increase or decrease drying time."
Lint on load	Lint screen is clogged with lint.	Clean lint screen before each load.
Stains on load	Improper use of fabric softener.	Add dryer fabric softener sheets at the beginning of the cycle. Fabric softener sheets added to a partially dried load can stain your garments. Do not use fabric softener sheets with steam cycles.
Stains on drum	Loose dyes in clothes.	Drum stains are caused by dyes in clothing (usually blue jeans). These will not transfer to other clothing.
Loads are wrinkled	The load was not removed from dryer at the end of the cycle.	Refer to garment care label instructions. Dry-clean-only garments are not recommended.
	The dryer was tightly packed.	Dry smaller loads that can tumble freely. Results may also vary depending on fabric type.
Odors	Recent painting, staining, or varnishing in the area where your dryer is located.	Ventilate the area. When the odors or fumes are gone from the area, rewash and dry the clothing.
	Odors are left in garments after wearing.	Rewash and dry the clothing.
Load too hot	Load removed before cool down portion of cycle complete.	Allow the dryer to complete the cool down portion of the cycle before removing the load.
	Using Timed Dry cycle with a high temperature setting.	Select an Automatic Cycle with a lower heat setting to avoid overdrying the load.
Stains or lint build-up on wall behind dryer	Dryer too close to wall.	Move dryer away from wall and make sure you have proper ventilation.
Clean HybridCare™ Filter indicator is lit	The HybridCare™ Filter and/or lint screen is clogged.	The dryer will continue to run when this indicator is lit. Try the following: <ul style="list-style-type: none"> • Clean lint screen. • Clean the HybridCare™ Filter and screen in back of filter cabinet. Must be cleaned every 5 cycles for best performance.

TROUBLESHOOTING

First try the solutions suggested here or visit our website at www.whirlpool.com/product_help -
In Canada www.whirlpool.ca for assistance and to possibly avoid a service call.

If you experience	Possible Causes	Solution
Dryer Displaying Code Message or Cycle Status Indicator Lights Up		
"LF"	Lint filter removed.	Indicates that the HybridCare™ filter has been removed. Place filter into dryer and make sure the handle is properly seated.
"PF" (power failure)	The drying cycle has been interrupted by a power failure.	Touch and hold START to restart the dryer. NOTE: The Control Lock function may be enabled when recovering from a power failure. To unlock the control, touch and hold CONTROL LOCK for at least 3 seconds.
"L2" Diagnostic Code (low or no line voltage condition)	There may be a problem with your home power supply, keeping the dryer's heater from turning on.	The dryer will continue to run when this diagnostic code is present. Touch any pad to clear the code from the display and return to the estimated time remaining. NOTE: This error will only show during the initial installation. Try the following: Check to see if a household fuse has blown or circuit breaker has tripped. Electric dryers use two household fuses or breakers. Replace the fuse or reset the circuit breaker. Confirm that the power cord is properly installed. Refer to the Installation Instructions for details. Select a Timed Dry heated cycle, and restart the dryer. If the message persists, consult a qualified electrician.
"F# E#" (F1 E1, F3 E1, etc.) variable service codes	The dryer is in need of service.	If a code beginning with an "F" appears in the display, alternating between F# and E#, the dryer control has detected a problem that requires service. Call for service.
"Loc"	The Control Lock is enabled.	Touch and hold CONTROL LOCK for 3 seconds to unlock the controls of the dryer. During this time the LED Display will count down 3-2-1. When the Control Lock is disabled, the LED Display will clear.

SÉCURITÉ DE LA SÉCHEUSE

Votre sécurité et celle des autres est très importante.

Nous donnons de nombreux messages de sécurité importants dans ce manuel et sur votre appareil ménager. Assurez-vous de toujours lire tous les messages de sécurité et de vous y conformer.



Voici le symbole d'alerte de sécurité.

Ce symbole d'alerte de sécurité vous signale les dangers potentiels de décès et de blessures graves à vous et à d'autres.

Tous les messages de sécurité suivront le symbole d'alerte de sécurité et le mot "DANGER" ou "AVERTISSEMENT". Ces mots signifient :

⚠ DANGER

Risque possible de décès ou de blessure grave si vous ne suivez pas immédiatement les instructions.

⚠ AVERTISSEMENT

Risque possible de décès ou de blessure grave si vous ne suivez pas les instructions.

Tous les messages de sécurité vous diront quel est le danger potentiel et vous disent comment réduire le risque de blessure et ce qui peut se produire en cas de non-respect des instructions.



AVERTISSEMENT - "Risque d'incendie"

- L'installation de la sécheuse à linge doit être effectuée par un installateur qualifié.
- Installer la sécheuse conformément aux instructions du fabricant et aux codes locaux.
- Pour réduire le risque de blessure grave ou de décès, suivre toutes les instructions d'installation.
- Conserver ces instructions.

Certaines pièces internes sont intentionnellement non reliées à la terre et peuvent présenter un risque de choc électrique uniquement lors d'une intervention de dépannage.

Personnel d'entretien - Ne pas toucher le support du thermostat lorsque l'appareil est sous tension.

IMPORTANTES INSTRUCTIONS DE SÉCURITÉ

AVERTISSEMENT : Pour réduire le risque d'incendie, de choc électrique ou de blessure lors de l'utilisation de la sècheuse, il convient d'observer certaines précautions élémentaires dont les suivantes :

- Lire toutes les instructions avant d'utiliser la sècheuse.
- Ne pas placer des articles exposés aux huiles de cuisson dans votre sècheuse. Les articles contaminés par des huiles de cuisson peuvent contribuer à une réaction chimique qui pourrait causer à la charge de s'enflammer. Pour réduire le risque d'incendie du à des charges contaminées, la partie finale du programme de séchage par culbutage a lieu sans chaleur (période de refroidissement). Éviter d'arrêter une sècheuse en phase de culbutage avant la fin du programme de séchage, à moins de retirer et d'étendre rapidement tous les articles afin que la chaleur se dissipe.
- Ne pas faire sécher dans la machine des articles qui ont déjà été nettoyés, lavés, imbibés, ou tachés d'essence, de solvants pour nettoyage à sec, d'autres substances inflammables, ou de substances explosives puisqu'elles dégagent des vapeurs qui peuvent provoquer un incendie ou une explosion.
- Risque de suffocation et de blessure par coincement : Ne pas laisser des enfants jouer sur l'appareil ou à l'intérieur de celui-ci. Une surveillance étroite des enfants est nécessaire lorsque l'appareil est utilisé à proximité d'enfants.
- Avant d'enlever la sècheuse du service ou la jeter, enlever la porte du compartiment de séchage.
- Ne pas mettre la main dans la sècheuse si le tambour est en mouvement.
- Ne pas installer ni entreposer la sècheuse où elle sera exposée aux intempéries.
- Ne pas jouer avec les commandes.
- Ne pas utiliser de pièces de remplacement qui n'ont pas été recommandées par le fabricant (c.-à-d., pièces fabriquées à la maison à l'aide d'une imprimante 3D).
- Ne pas réparer ni remplacer une pièce de la sècheuse ou essayer d'en faire l'entretien à moins d'une recommandation spécifique dans le guide d'utilisation et d'entretien, ou publiée dans les instructions de réparation par l'utilisateur que vous comprenez et pouvez exécuter avec compétence.
- Ne pas utiliser un produit assouplissant de tissu ou des produits pour éliminer la statique à moins qu'ils ne soient recommandés par le fabricant du produit assouplissant de tissu ou du produit.
- Ne pas utiliser la chaleur pour faire sécher des articles fabriqués avec du caoutchouc mousse ou des matériaux semblables.
- Nettoyer le filtre à charpie avant et après chaque charge.
- Ne pas laisser la charpie, la poussière, ou la saleté s'accumuler autour du système d'évacuation ou autour de l'appareil.
- Un nettoyage périodique de l'intérieur de la sècheuse et du conduit d'évacuation doit être effectué par une personne qualifiée.
- Voir les instructions d'installation pour les exigences de mise à la terre et d'installation.
- Ne pas installer de ventilateur secondaire dans le conduit d'évacuation.

REMARQUE : L'avertissement de ventilateur secondaire ne s'applique pas aux sècheuses conçues pour être installées dans un système où il y a plusieurs sècheuses, avec un système de conduit d'évacuation conçu sur mesure et installé selon les directives du fabricant de la sècheuse.

CONSERVER CES INSTRUCTIONS

IMPORTANTES INSTRUCTIONS DE SÉCURITÉ

Avant de jeter ou de ranger votre vieille sècheuse, enlever la porte.

CONSERVEZ CES INSTRUCTIONS

ACCESSOIRES

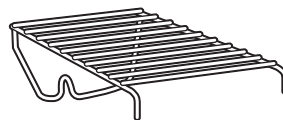
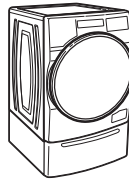
ACCESSOIRES D'INSTALLATION ET D'ENTRETIEN

PIÈCES AGRÉÉES PAR LE FABRICANT – Ces mots désignent des pièces de qualité et des accessoires conçus spécialement pour votre appareil. Une ingénierie qui a fait ses preuves, pour répondre à nos normes de qualité les plus strictes.

PIÈCES AGRÉÉES PAR LE FABRICANT

Accessoires conçus pour votre appareil :

Améliorez votre nouvelle laveuse et sècheuse grâce aux authentiques accessoires Whirlpool suivants. Pour plus d'informations sur les options et sur les possibilités de commande, appelez le **1-866-698-2538**, ou consultez le www.whirlpool.com/accessories. Au Canada, composez le **1-800-807-6777** ou consultez le www.whirlpoolparts.ca.



Piédestaux de 15 po

De coloris assortis, surélèvent la laveuse et la sècheuse pour les amener à une hauteur d'utilisation plus confortable. Le grand tiroir offre une capacité de rangement pratique.

Ensemble de superposition

Si l'espace disponible est restreint, l'ensemble de superposition permet à la sècheuse d'être installée par-dessus la laveuse.

Grille de séchage

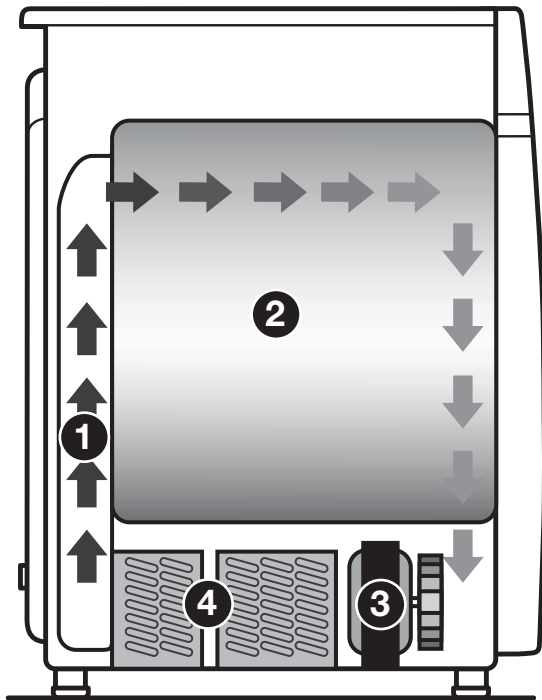
La grille de séchage permet d'obtenir une surface de séchage sans mouvement pour les articles comme les chandails et les chaussures de tennis. Voir la section « Caractéristiques supplémentaires » pour plus de renseignements.

TECHNOLOGIE DE POMPE À CHAUD HybridCare™

Une sècheuse typique consommant de grandes quantités d'énergie, cette sècheuse utilise une fraction de cette énergie en recyclant et en réutilisant l'air chaud. La sècheuse HybridCare™ est une sècheuse sans évacuation utilisant une pompe à chaleur dont le système de réfrigération assèche et réutilise le même air. Le linge est séché à basse température; ainsi, il peut sembler plus frais que ce que l'on peut attendre après un séchage.

La phase de séchage des sècheuses à pompe à chaleur dure plus longtemps que pour les sècheuses traditionnelles. Si possible, ne pas ouvrir la porte de la sècheuse durant le séchage, car la chaleur peut s'échapper du tambour et allonger la durée de séchage.

Unité de pompe à chaleur HybridCare™



- 1 L'échangeur de chaleur/le condenseur chauffe l'air
- 2 Séchage
- 3 Le ventilateur de puisage de l'air refroidit l'air
- 4 L'évaporateur refroidit et évacue l'eau de condensation

Avantages de la pompe à chaleur HybridCare™

- **ÉNERGIE** : Régénère l'énergie pour réduire la consommation totale d'énergie.
- **PERFORMANCES** : Ses deux modes disponibles offrent davantage de flexibilité pour gérer les performances de séchage et les économies d'énergie.
- **SOIN DU TISSU** : Moins de chaleur qu'avec une sècheuse à évacuation.
- **CONCEPTION SANS ÉVACUATION** : Offre davantage de possibilités pour l'installation de la sècheuse dans la maison.

Des sons nouveaux de la pompe à chaleur HybridCare™

- La sècheuse fonctionne à l'aide d'un compresseur semblable à celui d'un réfrigérateur et l'on peut percevoir un bourdonnement venant du compresseur.
- L'eau provenant des vêtements mouillés est aspirée dans votre drain. Il est possible que la sècheuse produise des gargouillements.

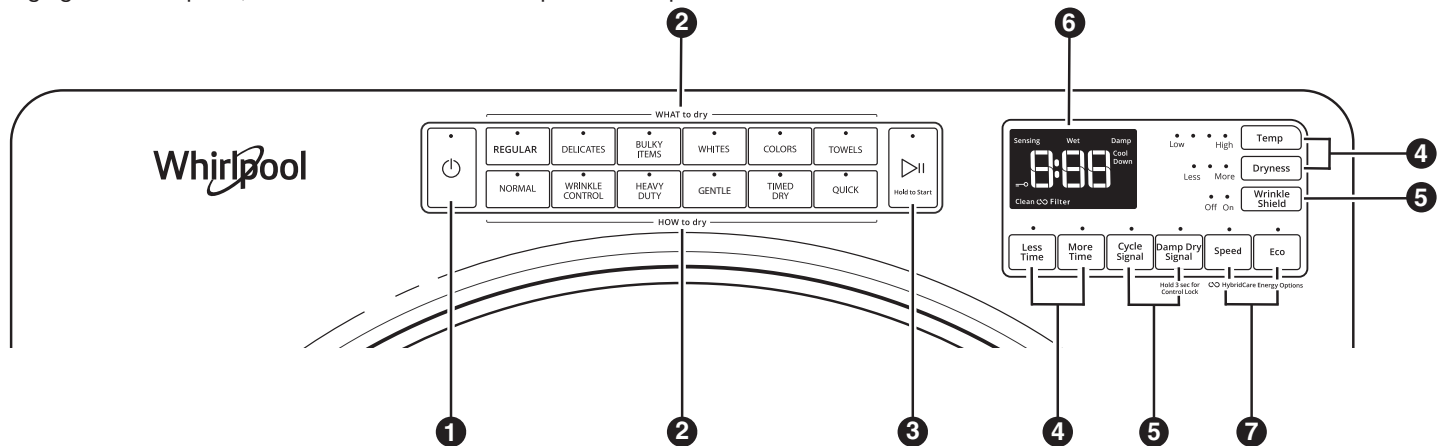
Utilisation des programmes automatiques pour un meilleur soin du tissu et plus d'économies d'énergie

Utiliser les programmes automatiques pour que la sècheuse permette de réaliser davantage d'économies d'énergie et d'apporter un soin supérieur aux tissus. Durant les programmes automatiques, la température de séchage de l'air, la température de la pompe à chaleur et le niveau d'humidité sont détectés dans la charge. Cette détection se produit tout au long du programme de séchage et la sècheuse s'éteint lorsque la charge atteint le degré de séchage sélectionné. Utiliser le niveau de séchage NORMAL pour permettre de réaliser un maximum d'économies d'énergie.

Avec l'option de séchage minuté, la sècheuse fonctionne pendant la durée réglée, ce qui peut entraîner le rétrécissement ou le froissement des vêtements et l'accumulation d'électricité statique due au séchage excessif. Utiliser le séchage minuté pour une charge encore humide nécessitant un peu de temps supplémentaire ou lors de l'utilisation de la grille de séchage.

TABLEAU DE COMMANDE ET CARACTÉRISTIQUES

REMARQUE : La surface du tableau de commande est très sensible et il suffit d'un léger toucher pour l'activer. Pour s'assurer que vos sélections ont été sauvegardées, toucher le tableau de commande du bout du doigt et non avec l'ongle. Pour sélectionner un réglage ou une option, il suffit de toucher le nom qui lui correspond.



1 MISE SOUS TENSION

Toucher ce bouton pour mettre la sècheuse en marche et pour l'éteindre. Toucher ce bouton pour arrêter/annuler un programme à tout moment.

2 WHAT TO DRY/HOW TO DRY (articles à sécher/méthode séchage)

Une fois que le programme « What to dry » (articles à sécher) est sélectionné, la sècheuse sélectionne automatiquement l'option recommandée ou utilisée en dernier du programme « How to Dry » (méthode de séchage), ainsi que les modificateurs recommandés/utilisés en dernier. Ces deux éléments peuvent être modifiés (si souhaité). Voir le « Guide des programmes » pour plus de détails.

3 MISE EN MARCHÉ/PAUSE

Appuyer sur ce bouton jusqu'à ce que la DEL décompte « 3-2-1 » et que la sècheuse démarre; puis le relâcher pour démarrer un programme, ou appuyer une fois sur ce bouton pendant qu'un programme est en cours pour le mettre en pause.

4 MODIFICATEURS

Utiliser ces boutons pour sélectionner les modificateurs offerts sur la sècheuse. Les programmes et options ne sont pas tous offerts sur tous les modèles.

Temp (température)

Lorsque l'on utilise un programme de séchage minuté/rapide uniquement, il est possible de sélectionner une température de séchage en fonction du type de la charge de linge à sécher. Utiliser le réglage le plus chaud possible qui reste sans danger pour les vêtements de la charge. Suivre les instructions figurant sur l'étiquette des vêtements.

REMARQUE : Les programmes automatiques donnent le choix entre quatre réglages de température, en fonction du modèle et des sélections effectuées de « What to Dry » (articles à sécher) ou « How to Dry » (méthode de séchage).

Dryness (niveau de séchage)

Si désiré, le niveau de séchage peut être ajusté sur les programmes automatiques.

REMARQUE : Le réglage du niveau de séchage ne peut être utilisé qu'avec les programmes automatiques.

Réglage More Dry/Less Dry (plus sec/moins sec) du programme séchage minuté

Toucher MORE TIME (plus de temps) ou LESS TIME (moins de temps) lors des programmes de séchage minuté ou rapide pour augmenter ou réduire la durée du programme.

5 OPTIONS

Utiliser ces boutons pour sélectionner les options disponibles sur la sècheuse. Les programmes et options ne sont pas tous offerts sur tous les modèles.

Option Wrinkle Shield™ (antifroissement)

Si l'on n'est pas en mesure de retirer la charge immédiatement, appuyer sur Wrinkle Shield™ (antifroissement) pour ajouter jusqu'à 150 minutes de culbutage périodique afin d'aider à réduire le froissement.

REMARQUE : Si la porte de la sècheuse est ouverte avant la fin de l'option antifroissement, la sècheuse passe en mode attente. Il faudra appuyer sur le bouton d'alimentation pour l'éteindre ou sur Start/Pause (mise en marche/pause) pour continuer l'option antifroissement.

Steam Refresh (rafraîchissement avec vapeur) (modèles à vapeur uniquement)

Ce programme est idéal pour réduire les faux plis et désodoriser les vêtements secs. La durée du programme augmentera en fonction du nombre de vêtements sélectionnés. Il s'agit d'un programme indépendant qui ne peut être combiné à aucun autre programme.

Cycle signal (signal de programme)

Utiliser cette option pour régler le signal sonore de fin d'un programme de séchage sur low (faible), medium (moyen), high (élevé) ou off (désactivé). Le volume sélectionné ici s'applique aussi au signal de séchage humide.

REMARQUE : Il est également possible de désactiver les signaux sonores qui retentissent lorsqu'on appuie sur un bouton de caractéristique, de réglage ou d'option. Appuyer sans relâcher sur CYCLE SIGNAL (signal de programme) pendant environ 3 secondes pour régler le volume sur faible, moyen, élevé ou désactivé.

Damp Dry Signal (signal de séchage humide)

Appuyer sur ce bouton pour activer ou désactiver le signal de séchage humide. Lorsque cette option est sélectionnée, plusieurs signaux sonores retentissent lorsque la charge est humide, mais pas complètement sèche. Ceci vous permettra de retirer les vêtements dans la charge qui n'ont pas besoin d'être séchés complètement. Cette option est disponible sur certains programmes. Le signal de séchage humide est sélectionné par défaut avec Bulky Items/normal (articles volumineux/normal), Bulky Items/Wrinkle Control (articles volumineux/antifroissement) et Bulky Items/Heavy Duty (articles volumineux/intense) pour rappeler à l'utilisateur de réorganiser les articles volumineux à la main vers la moitié du programme.

Control Lock (verrouillage des commandes)

Utiliser cette option pour verrouiller les commandes de la sècheuse et éviter une modification involontaire d'options ou de préférences au cours d'un programme de séchage.

Pour verrouiller ou déverrouiller les commandes, maintenir DAMP DRY SIGNAL (signal de séchage humide) enfoncé pendant 3 secondes. Pendant cette période, l'affichage à DEL indiquera un compte à rebours 3-2-1. Une fois les commandes verrouillées, l'affichage à DEL indiquera « Loc ».

REMARQUE : Il est possible que la fonction de verrouillage des commandes soit activée après une panne de courant. Pour déverrouiller le tableau de commande, toucher DAMP DRY SIGNAL (signal de séchage humide) pendant au moins 3 secondes.

6 AFFICHAGE À DEL

Lorsqu'on sélectionne un programme, ses réglages par défaut s'allument et la durée restante estimée (pour les programmes automatiques) variera en fonction des sélections de « What to Dry » (articles à sécher) et de « How to Dry » (méthode de séchage), ou la durée restante réelle pour les programmes de séchage minuté (pour les programmes manuels) s'affichera.

TÉMOIN LUMINEUX DE PROGRAMME



Les témoins lumineux de programme indiquent la progression d'un programme. Les témoins ne sont pas tous présents sur tous les modèles.

Sensing (détection)

Le témoin Sensing (détection) s'allume périodiquement lors du fonctionnement des programmes Sensing (détection) pour indiquer que le capteur d'humidité de la sècheuse est en cours de fonctionnement. Ce témoin ne s'allume pas durant les programmes minutés ou les options telles que Wrinkle Shield™.

Wet (mouillé)

La charge est encore mouillée et/ou le programme vient de commencer.

Damp (humide)

Ce témoin indique que la charge est partiellement sèche et que les articles que l'on souhaite suspendre ou repasser pendant qu'ils sont encore humides peuvent être retirés.

Refroidissement

La sècheuse a terminé le séchage avec chaleur et fait maintenant culbuter la charge sans chaleur pour la refroidir et pour réduire le froissement.

Nettoyer le filtre HybridCare™

Le témoin de nettoyage du filtre HybridCare™ s'allume après 5 programmes. Le témoin lumineux se réinitialise après le nettoyage du filtre et sa réinstallation dans le logement de la sècheuse. Pour plus d'informations sur le nettoyage, voir la section « Entretien de la sècheuse ».

REMARQUE : Si d'autres erreurs surviennent au cours d'un programme, le témoin de nettoyage du filtre HybridCare™ ne s'allume pas. Voir la section « Dépannage ».

Fin

Ceci indique que le programme sélectionné est terminé et que l'on peut retirer la charge de la sècheuse. Si l'option Wrinkle Shield™ (antifroissement) a été sélectionnée, il est possible que la sècheuse poursuive le culbutage de la charge, même si « End » (terminé) est affiché.

Verrouillage des commandes

Ce témoin s'allume lorsque les commandes sont verrouillées.

7



HybridCare™ Energy OPTIONS

Use to select an available mode for your dryer. Your HybridCare™ dryer is more efficient in all modes than your typical dryer.

A Speed

This option saves time, but uses more energy.

B Eco

Eco is the default option for all cycles, which allows you to increase your energy savings by using a lower heat level. This will increase dry times.

NOTE: Energy savings may vary across loads and cycles.

GUIDE DES PROGRAMMES

Cette sècheuse possède une interface utilisateur unique pour aider l'utilisateur à sélectionner le programme le mieux adapté à la charge. Les configurations «What to Dry» (articles à sécher) et «How to Dry» (méthode de séchage) indiquent le programme idéal en deux étapes faciles :

1. Déterminer d'abord les articles dans la charge qui doit être séchée. Sélectionner ainsi les articles adéquats dans la partie « What to Dry » (articles à sécher).
2. Ensuite, déterminer la manière dont on souhaite sécher ces articles et sélectionner la méthode appropriée dans la partie «How to Dry» (méthode de séchage). Les modificateurs sont pré-réglés pour les articles à sécher, mais peuvent être modifiés au besoin.

Utiliser les programmes automatiques pour réaliser un maximum d'économies d'énergie et pour que la sècheuse apporte un soin supérieur aux tissus. Ces programmes mesurent la température de l'air de séchage et les niveaux d'humidité afin d'éteindre la sècheuse une fois que la charge a atteint le niveau de séchage désiré. La performance et les résultats de la sècheuse peuvent varier si la tension nominale est inférieure à 240 V.

Pour un meilleur soin des tissus, choisir le programme qui convient le mieux à la charge à sécher.

R – Programme recommandé

a – Programme alternatif

Case vide – Programme disponible, mais pas optimal.

Quelle méthode de séchage souhaite-t-on utiliser?					
Sélection du programme «How to Dry» (méthode de séchage)					
NORMAL (normal)	WRINKLE CONTROL (antifroissement)	HEAVY DUTY (service intense)	GENTLE (délicat)	TIMED DRY (séchage minuté)	QUICK (rapide)
Regular (ordinaire)		Chaleur élevée, programme prolongé	Chaleur élevée	Durée de séchage réglée	Durée de séchage réglée
Programme automatique avec capteur qui s'arrête une fois le niveau de séchage souhaité atteint.		Programme automatique avec capteur qui s'arrête une fois le niveau de séchage souhaité atteint.	Utilisé pour éliminer 99,9 % de 3 des bactéries les plus courantes	La sècheuse fonctionne pendant la durée sélectionnée.	La sècheuse fonctionne pendant la durée sélectionnée

Quels articles souhaite-t-on sécher?	Sélection du programme «What to Dry» (articles à sécher)					
Vêtements pour bébé	REGULAR (ordinaire)	R				
Pyjamas		R				
Mouchoirs		a		R		
T-shirts		R				
Hauts de survêtements	NORMAL (suite)	a		R		
Jeans		a		R		
Rideaux en coton			R			
Rideaux lavables en machine			R			
Nappe		R	a			
Tenues de bureau décontractées			R			
Tissus infroissables			R			
Soutiens-gorge		a	R			
Rideau de douche en tissu			R			
Lingerie		a	R			
Transparents		R				
Sous-vêtements	a	R				
Lainages		R				
Chemises et pantalons habillés	a	R				

Pour un meilleur soin des tissus, choisir le programme qui convient le mieux à la charge à sécher.

R – Programme recommandé

a – Programme alternatif

Case vide – Programme disponible, mais pas optimal.

		Quelle méthode de séchage souhaite-t-on utiliser?					
		Sélection du programme «How to Dry» (méthode de séchage)					
		NORMAL (normal)	WRINKLE CONTROL (antifroissement)	HEAVY DUTY (service intense)	GENTLE (délicat)	TIMED DRY (séchage minuté)	QUICK (rapide)
		Regular (ordinaire)		Chaleur élevée, programme prolongé	Chaleur élevée	Durée de séchage réglée	Durée de séchage réglée
		Programme automatique avec capteur qui s'arrête une fois le niveau de séchage souhaité atteint.		Programme automatique avec capteur qui s'arrête une fois le niveau de séchage souhaité atteint.	Utilisé pour éliminer 99,9 % de 3 des bactéries les plus courantes	La sècheuse fonctionne pendant la durée sélectionnée.	La sècheuse fonctionne pendant la durée sélectionnée
Quels articles souhaite-t-on sécher?	Sélection du programme «What to Dry» (articles à sécher)						
Couvertures	BULKY ITEMS (Articles volumineux)	R		a			
Tapis en tissu		R					
Rideaux lourds		a		R			
Manteaux et vestes		a		R			
Douillettes		R		a			
Lits pour animaux de compagnie		a		R			
Oreillers – remplies de fibres		a	R				
Draps		R	a				
Sacs de couchage		R					
Peluches				R			
Sous-vêtements en coton	WHITES (BLANCS)	R		a			
Serviettes de table blanches		R		a			
Tenues de sport	COLORS (COULEURS)	R		a			
Vêtements de sport intensif		R		a			
Serviettes de table de couleur		R		a			
Torchons de vaisselle	SERVIETTES	a		R	a		
Towels (serviettes)		a		R	a		
Tapis sans garniture de caoutchouc				R			

REMARQUE : Les certifications de performance énergétique du gouvernement pour ce modèle sont fondées sur les modes régulier + programme normal + réglage de température le plus élevé, normal, niveau de séchage et EcoBoost en marche. Les valeurs par défaut étaient identiques aux réglages de certifications de performance énergétique du gouvernement, sauf pour le réglage de température par défaut moyen qui était placé au réglage de température la plus élevée. Les programmes disponibles pour le téléchargement après-vente peuvent consommer plus d'énergie que le programme Normal, sur lequel la cote de consommation d'énergie de cette sècheuse est basée.

UTILISER LA SÈCHEUSE

⚠ AVERTISSEMENT



Risque d'explosion

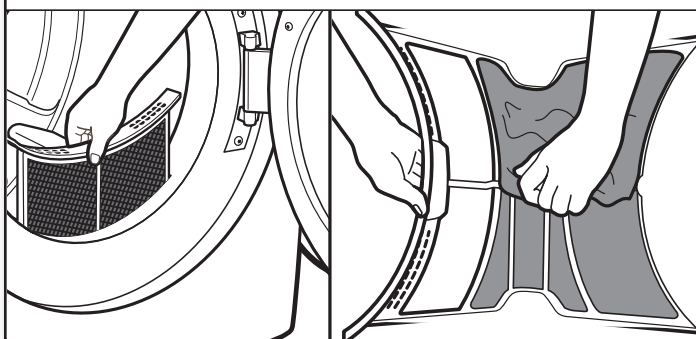
Garder les matières et les vapeurs inflammables, telle que l'essence, loin de la sècheuse.

Ne pas faire sécher un article qui a déjà été touché par un produit inflammable (même après un lavage).

Le non-respect de ces instructions peut causer un décès, une explosion ou un incendie.

AVERTISSEMENT : Pour réduire le risque d'incendie, de décharge électrique ou de blessures, lire les **IMPORTANTES INSTRUCTIONS DE SÉCURITÉ** avant de faire fonctionner cet appareil.

1. Nettoyer le filtre à charpie.



Nettoyer le filtre à charpie avant chaque charge. Enlever le filtre à charpie en le tirant vers le haut. Appuyer sur l'onglet et ouvrir le filtre à charpie. Retirer la charpie du filtre en la roulant avec les doigts. Remettre le filtre à charpie fermement en place en l'enfonçant.

IMPORTANT : Nettoyer le filtre à charpie avant chaque utilisation de la sècheuse, car un filtre bloqué par des charpies augmente le temps de séchage.

⚠ AVERTISSEMENT



Risque d'incendie

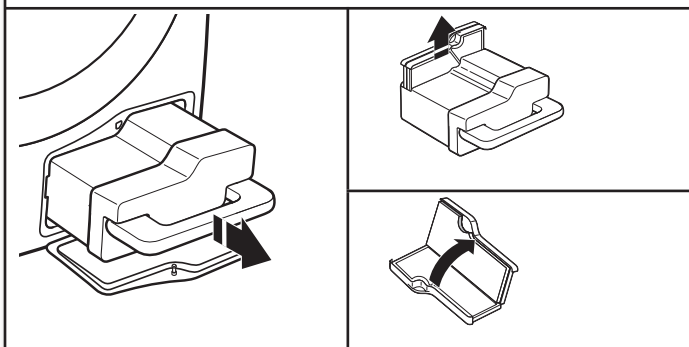
Aucune laveuse ne peut complètement enlever l'huile.

Ne pas faire sécher des articles qui ont été salis par tout genre d'huile (y compris les huiles de cuisson).

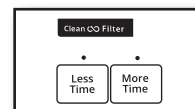
Ne pas sécher d'articles contenant de la mousse, du caoutchouc ou du plastique dans cette sècheuse.

Le non-respect de ces instructions peut causer un décès ou un incendie.

2. Nettoyer le filtre HybridCare™

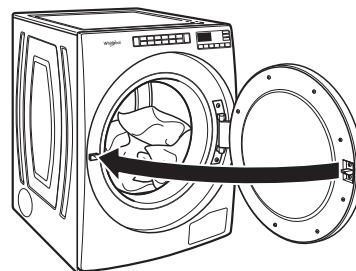


Nettoyer le filtre HybridCare™ Filter lorsque le témoin lumineux s'allume tous les 5 programmes. Ouvrir la porte du filtre sur le bas de la sècheuse et sortir le filtre en tirant sur la poignée. Déposer le filtre sur la sècheuse et en sortir le filtre à charpie. Rouler la charpie avec les doigts pour l'enlever du filtre, puis remettre le filtre à sa place. (Il y aura peut-être de l'eau dans le filtre. Ceci est normal.) Pour plus d'informations sur le nettoyage, voir la section « Entretien de la sècheuse ».



IMPORTANT : Pour de meilleures performances de séchage, nettoyer le filtre HybridCare™ toutes les 5 charges. Le témoin lumineux se réinitialise après le nettoyage du filtre et sa réinstallation dans son logement.

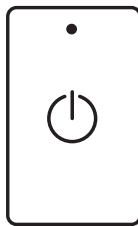
3. Charger la sècheuse



Ouvrir la porte en tirant sur la poignée. Placer la charge dans la sècheuse. Ajouter une feuille de réduction de l'électricité statique pour tissu si désiré. Fermer la porte.

IMPORTANT : Ne pas tasser le linge dans la sècheuse. Les articles doivent pouvoir se déplacer librement. Trop tasser les vêtements peut entraîner une mauvaise performance de séchage et augmenter le froissement et l’emmêlement.

4. Appuyer sur POWER (mise sous tension).



Appuyer sur POWER (mise sous tension) pour mettre la sècheuse en marche.

5. Sélectionner le type de charge à sécher



Sélectionner d’abord un programme, dans la partie «What to Dry» (articles à sécher) (programmes automatiques), puis sélectionner un programme dans la partie «How to Dry» (méthode de séchage) pour obtenir la meilleure combinaison de programmes disponibles pour le type d’articles à sécher. Voir le « Guide des programmes » pour plus de détails. Certains programmes ne sont pas disponibles sur certains modèles.

Programmes automatiques :

Selon la charge, un degré de séchage différent peut être sélectionné. Appuyer sur DRYNESS (niveau de séchage) pour sélectionner un niveau allant de Less (moins) à More (plus). La sélection de Less (moins) à More (plus) règle automatiquement le degré de séchage qui commande l’arrêt de la sècheuse. Il est possible de modifier le niveau de séchage durant les 5 à 8 premières minutes du programme.

Les programmes automatiques offrent un séchage idéal en un temps record. La durée de séchage varie en fonction du type de tissu, de la taille de la charge et du réglage de niveau de séchage.

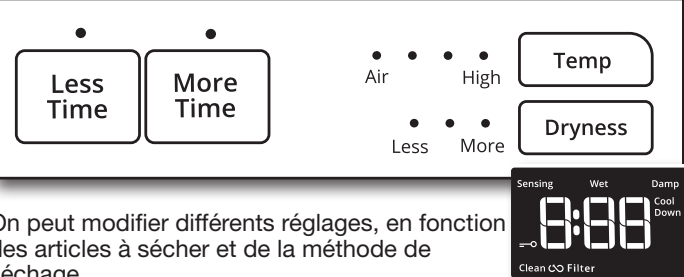
REMARQUE : Les programmes automatiques donnent le choix entre jusqu’à 4 températures de réglage, et cela varie en fonction des sélections effectuées à « What to Dry » (articles à sécher) ou « How to Dry » (méthode de séchage).

Programme TIMED DRY (séchage minuté) :

Lorsqu’on sélectionne Timed Dry/Quick (séchage minuté/rapide), la durée par défaut apparaît sur l’affichage. Appuyer sur les boutons MORE TIME (plus de temps) ou LESS TIME (moins de temps) pour augmenter ou diminuer la durée par tranches de 5 minutes.

La température par défaut peut être modifiée en appuyant sur Temperature (température) jusqu’à ce que la température de séchage souhaitée s’allume.

6. Régler les modificateurs de programme si désiré



On peut modifier différents réglages, en fonction des articles à sécher et de la méthode de séchage.

REMARQUE : Tous les modificateurs et toutes les options ne sont pas disponibles avec tous les programmes. Certains programmes ne sont pas disponibles sur certains modèles.

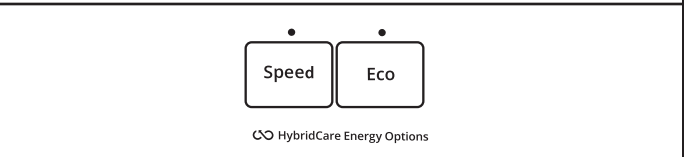
7. Sélectionner toute option supplémentaire



Ajouter des options comme le signal de programme, le signal de séchage humide ou l’antifroissement en appuyant sur cette option. Si l’on n’est pas en mesure de retirer rapidement la charge, sélectionner Wrinkle Shield™ (antifroissement) avant d’appuyer sur START/PAUSE (mise en marche/pause).

REMARQUE : Tous les réglages et toutes les options ne sont pas disponibles avec tous les programmes.

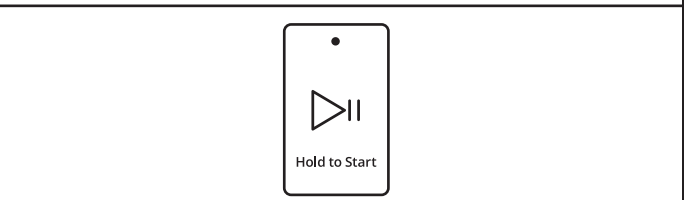
8. Sélectionner les options énergétiques HybridCare™



L’écran affichera les options énergétiques HybridCare™ pour tous les programmes. Pour régler une option, appuyer sur la touche correspondante – Speed (vitesse) ou Eco.

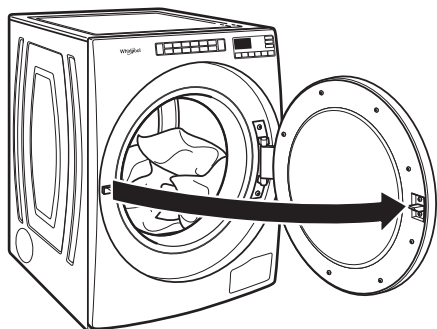
REMARQUE : Les réglages et options ne sont pas tous disponibles avec tous les programmes.

9. Toucher et maintenir enfoncé le bouton START/PAUSE (mise en marche/pause) pour démarrer le programme



Toucher et maintenir enfoncé le bouton de START/PAUSE (mise en marche/pause) pour démarrer le programme.

10. Retirer immédiatement les vêtements une fois le programme terminé



Retirer rapidement les vêtements une fois le programme terminé pour réduire le froissement.

CARACTÉRISTIQUES SUPPLÉMENTAIRES

UTILISATION DE LA GRILLE DE SÉCHAGE

Pour acheter une grille de séchage, consulter la section « Accessoires » pour obtenir plus de renseignements. Vous aurez besoin de vos numéros de modèle et de série, ainsi que de la date d'achat. Enlever et jeter les matériaux d'emballage avant utilisation.

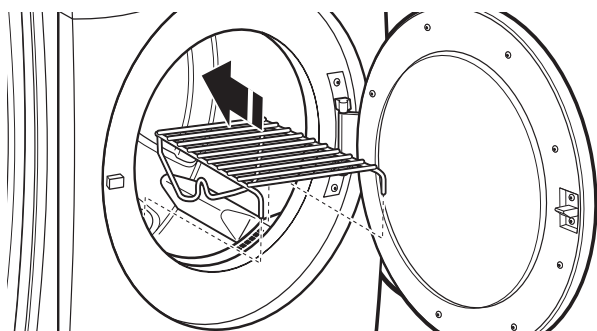
Utiliser la grille de séchage pour les articles que l'on ne souhaite pas faire sécher par culbutage tels que les chandails et les chaussures de tennis. Lorsqu'on utilise la grille de séchage, le tambour continue de tourner, mais la grille reste stationnaire.

L'utilisation de la grille de séchage est recommandée uniquement avec les programmes Manual Dry/Timed Dry (séchage manuel/séchage minuté). La grille de séchage ne peut pas être utilisée avec les programmes automatiques.

Utilisation de la grille de séchage :

IMPORTANT : Ne pas retirer le filtre à charpie.

1. Ouvrir la porte de la sècheuse.



UTILISATION DE LA GRILLE DE SÉCHAGE (SUITE)

2. Aligner les deux crochets situés à l'avant de la grille de séchage avec les trous situés dans l'ouverture de la porte de la sècheuse et les insérer complètement dans les trous en appuyant. Placer le support arrière sur le rebord arrière de la sècheuse.



3. Placer les articles mouillés sur la grille de séchage. Laisser suffisamment d'espace entre les articles pour permettre à l'air de circuler. La grille de séchage ne bouge pas, mais le tambour pivote; veiller à laisser suffisamment d'espace entre les articles et à l'intérieur du tambour de la sècheuse. Veiller à ce que les articles ne pendent pas par-dessus les bords de la grille de séchage ou entre les barreaux de la grille.

4. Fermer la porte.

5. Sélectionner un programme Timed Dry (séchage minuté) ou Low Temperature (faible température). Les articles contenant de la mousse, du caoutchouc ou du plastique doivent être séchés sur une corde à linge.

6. Une fois le programme sélectionné, l'afficheur de la durée résiduelle estimée indique la durée par défaut. Il est possible de modifier la durée réelle du programme en augmentant ou en diminuant la durée du programme.

7. Mettre la sècheuse en marche.

REMARQUE : Une fois le programme terminé, examiner le filtre à charpie et retirer toute charpie accumulée sur les articles séchés sur la grille de séchage.

ENTRETIEN DE LA SÉCHEUSE

NETTOYAGE DE L'EMPLACEMENT DE LA SÉCHEUSE

Éviter de laisser autour de la sècheuse des éléments qui pourraient obstruer la circulation de l'air et empêcher le bon fonctionnement de la sècheuse. Ceci implique de dégager également les éventuelles piles de vêtements placées devant la sècheuse.

⚠ AVERTISSEMENT



Risque d'explosion

Garder les matières et les vapeurs inflammables, telle que l'essence, loin de la sècheuse.

Placer la sècheuse au moins 460 mm (18 po) au-dessus du plancher pour une installation dans un garage.

Le non-respect de ces instructions peut causer un décès, une explosion ou un incendie.

NETTOYAGE DE L'INTÉRIEUR DE LA SÉCHEUSE

Nettoyage du tambour de la sècheuse :

1. Utiliser un détergent à vaisselle doux mélangé à une faible concentration d'eau très chaude et frotter avec un chiffon doux.
2. Rincez soigneusement avec une éponge ou une serviette mouillée.
3. Faire culbuter une charge de linge ou de serviettes propres pour sécher le tambour
OR

Utiliser un chiffon en microfibre et de l'eau chaude dans un flacon de vaporisation pour nettoyer le tambour et une deuxième serviette en microfibre pour le séchage.

REMARQUE : Les vêtements contenant des teintures instables, tels les jeans en denim bleu ou articles en coton de couleur vive, peuvent décolorer l'intérieur de la sècheuse. Ces taches ne sont pas nocives pour votre sècheuse et ne tacheront pas les vêtements des charges futures. Faire sécher les articles à teinture instable sur l'envers pour éviter le transfert de la teinture.

RETIRER LA CHARPIE ACCUMULÉE

De l'intérieur de la caisse de la sècheuse

Retirer la charpie tous les 2 ans, ou plus souvent, selon l'utilisation de la sècheuse. Le nettoyage doit être effectué par un réparateur qualifié.

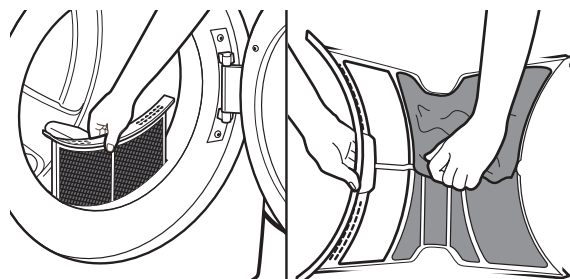
NETTOYAGE DU FILTRE À CHARPIE

Nettoyer le filtre à charpie après chaque charge

Le filtre à charpie se trouve dans l'ouverture de la porte de la sècheuse. Un filtre obstrué de charpie peut augmenter la durée de séchage.

Nettoyage :

1. Enlever le filtre à charpie en le tirant vers le haut. Appuyer sur l'onglet et ouvrir le filtre à charpie. Retirer la charpie du filtre en la roulant avec les doigts.



2. Remettre le filtre à charpie fermement en place en l'enfonçant.

IMPORTANT :

- Ne pas faire fonctionner la sècheuse avec un filtre à charpie déplacé, endommagé, bloqué ou manquant. Une telle action peut causer une surchauffe ou des dommages à la sècheuse et aux tissus.

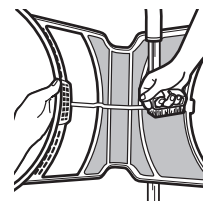
Nettoyage au besoin

Des résidus de détergent ou d'assouplisseur de tissu peuvent s'accumuler sur le filtre à charpie. Cette accumulation peut entraîner des temps de séchage plus longs, ou l'arrêt de la sècheuse avant que la charge ne soit complètement sèche. Si de la charpie tombe du filtre alors qu'il est dans la sècheuse, il est probablement obstrué.

Nettoyer le filtre à charpie avec une brosse de nylon tous les six mois ou plus fréquemment s'il se bouche en raison d'une accumulation de résidus.

Pour laver le filtre à charpie :

1. Retirer la charpie du filtre en la roulant avec les doigts.
2. Mouiller les deux côtés du filtre à charpie avec de l'eau chaude.
3. Mouiller une brosse en nylon avec de l'eau chaude et du détergent liquide. Frotter le filtre à charpie avec la brosse pour enlever l'accumulation de résidus.
4. Rincer le filtre à l'eau chaude.
5. Bien sécher le filtre à charpie avec une serviette propre. Réinstaller le filtre dans la sècheuse.

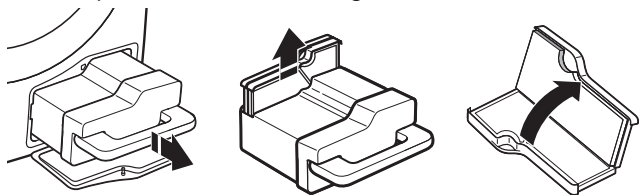


NETTOYER LE FILTRE HybridCare™ ET LE FILTRE À CHARPIE

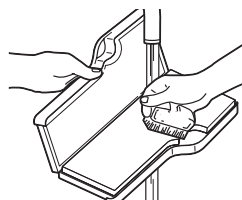
Nettoyer le filtre HybridCare™ toutes les 5 charges

Le filtre se trouve dans le coin inférieur de la sècheuse. Le tableau de commande comporte un témoin lumineux pour rappeler à l'utilisateur de nettoyer le filtre HybridCare™.

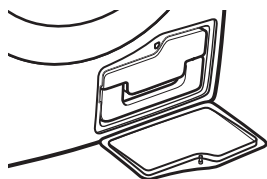
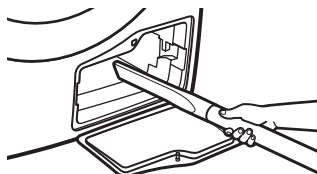
1. Ouvrir la porte inférieure du filtre. Tirer la poignée vers le haut et dégager le filtre. Déposer le filtre sur la sècheuse et en sortir le filtre à charpie situé à l'arrière du filtre. Retirer la charpie du filtre avec les doigts.



REMARQUE : Si de la charpie reste collée sur le filtre, mouiller les deux côtés avec de l'eau chaude. Au besoin, mouiller une brosse en nylon avec de l'eau chaude et du détergent liquide. Frotter le filtre à charpie avec la brosse pour enlever l'accumulation de résidus. Rincer le filtre à l'eau chaude.



2. Nettoyer le logement du filtre et son maillage avec un chiffon humide, un petit aspirateur ou une brosse douce. Nettoyer le tamis à l'arrière de la caisse du filtre une fois par mois.
3. Réinstaller le filtre à charpie dans le filtre et réinstaller le filtre dans la caisse de la sècheuse. La sècheuse ne fonctionne pas si le filtre n'est pas installé; s'assurer également que la poignée est orientée vers le bas pour le verrouiller en place. LF s'affiche si le filtre n'est pas correctement installé.



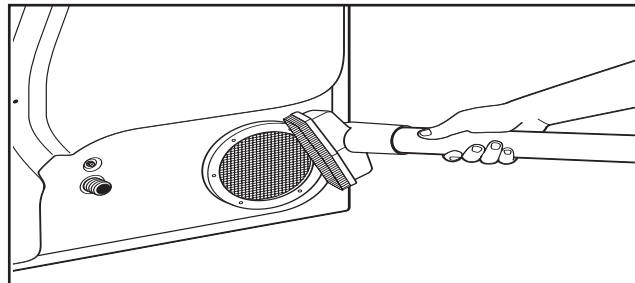
IMPORTANT :

- Ne pas faire fonctionner la sècheuse si le filtre est desserré, endommagé, obstrué ou manquant. Une telle action peut causer une surchauffe ou des dommages à la sècheuse et aux tissus.

NETTOYER LE FILTRE DU VENTILATEUR DE REFROIDISSEMENT

Le filtre du ventilateur est situé dans le coin inférieur droit de la sècheuse. Tirer la sècheuse du mur et nettoyer le filtre du ventilateur de refroidissement à l'aspirateur.

IMPORTANT : Nettoyer au besoin le filtre du ventilateur de refroidissement pour obtenir un rendement optimal. Un filtre obstrué augmentera la durée de séchage.



PRÉCAUTIONS À PRENDRE EN CAS DE NON UTILISATION, D'ENTREPOSAGE ET DE DÉMÉNAGEMENT

Installer et remiser la sècheuse à l'abri du gel. Il est possible que de l'eau stagne dans les tuyaux; ceci pourrait endommager la sècheuse en période de gel. Si la sècheuse doit faire l'objet d'un déménagement ou de remisage au cours d'une période de gel, hivériser la sècheuse.

Entretien en cas de non-utilisation ou d'entreposage

On ne doit faire fonctionner la sècheuse que lorsqu'on est présent. Si l'utilisateur doit partir en vacances ou n'utilise pas la sècheuse pendant une période prolongée, il convient d'exécuter les opérations suivantes :

1. Débrancher la sècheuse ou déconnecter la source de courant électrique.
2. Nettoyer le filtre à charpie. Voir la section « Nettoyage du filtre à charpie ».

Précautions à prendre avant un déménagement

Sécheuses alimentées par cordon d'alimentation :

1. Débrancher le cordon d'alimentation électrique.
2. S'assurer que les pieds de nivellement sont solidement fixés à la base de la sècheuse.
3. Utiliser du ruban adhésif pour fixer la porte de la sècheuse.

AVERTISSEMENT



Risque de choc électrique

Déconnecter la source de courant électrique avant l'entretien.

Replacer pièces et panneaux avant de faire la remise en marche.

Le non-respect de ces instructions peut causer un décès ou un choc électrique.

Pour les sècheuses avec raccordement direct :

1. Débrancher l'alimentation.
2. Déconnecter le câblage.
3. S'assurer que les pieds de nivellement sont solidement fixés à la base de la sècheuse.
4. Utiliser du ruban adhésif pour fixer la porte de la sècheuse.

Réinstallation de la sècheuse

Suivre les « Instructions d'installation » pour choisir l'emplacement, ajuster l'aplomb de la sècheuse et la raccorder.

Spécifications électriques – É.-U.

C'est à l'utilisateur qu'incombe la responsabilité de :

- Contacter un électricien qualifié.
- S'assurer que le raccordement électrique est adéquat et conforme au code national de l'électricité, ANSI/NFPA 70 – dernière édition, et à tous les codes et règlements locaux en vigueur. Le National Electrical Code impose un raccordement à 4 fils de l'alimentation électrique pour les maisons construites après 1996, les circuits de sècheuse modifiés après 1996 et toutes les installations de maisons mobiles. Pour obtenir un exemplaire des normes des codes ci-dessus, contacter : National Fire Protection Association, One Batterymarch Park, Quincy, MA 02169-7471.
- L'appareil doit être alimenté uniquement par un circuit monophasé à 3 ou 4 fils de 120/240 V CA, 60 Hz (ou 3 ou 4 fils, 120/208 V, si précisé sur la plaque signalétique) sur un circuit séparé et protégé par un fusible ou un disjoncteur de 30 A sur chacun des 2 câbles. On recommande également que cet appareil soit alimenté par un circuit indépendant. Ne pas avoir de fusible dans le circuit neutre ou de mise à la terre.
- Ne pas utiliser de rallonge.
- Si les codes le permettent et si on utilise un conducteur distinct de liaison à la terre, il est recommandé qu'un électricien qualifié vérifie la qualité de la liaison à la terre.

Raccordement électrique

Suivre les instructions ci-dessous concernant le raccordement électrique à utiliser.

- Cette sècheuse est prête à l'installation avec un raccordement à l'alimentation électrique à 3 fils.

Le conducteur de terre neutre est définitivement raccordé au conducteur neutre (fil blanc) à l'intérieur de la sècheuse. Si les codes électriques locaux exigent l'utilisation d'un disjoncteur de fuite à la terre, un raccordement à 4 fils à l'alimentation électrique est requis. Le conducteur de terre neutre doit être retiré de la vis du connecteur de terre externe (vis verte) et fixé sous la borne du neutre (fil du centre ou blanc) du bornier. Lorsque le conducteur de terre neutre est fixé sous la borne du neutre (fil du centre ou blanc) du bornier, la caisse de la sècheuse est isolée du conducteur neutre. Le conducteur vert de mise à la terre du cordon d'alimentation à 4 conducteurs doit être fixé à la caisse de la sècheuse à l'aide de la vis verte de liaison à la terre.

- Si les codes locaux n'autorisent pas le raccordement d'un conducteur de liaison à la terre au conducteur neutre, voir « Raccordement optionnel à 3 fils ».
- Un raccordement à 4 fils de l'alimentation électrique doit être utilisé lorsque l'appareil est installé dans un lieu où la mise à la terre par le conducteur neutre est interdite. Il est interdit de relier l'appareil à la terre par l'intermédiaire du conducteur neutre dans les cas suivants : (1) nouvelle installation avec alimentation par un circuit secondaire après 1996, (2) résidence mobile, (3) véhicule récréatif, et (4) juridictions dans lesquelles le code local interdit la liaison à la terre par l'intermédiaire des conducteurs neutres.

En cas d'utilisation d'un cordon d'alimentation :

Utiliser un ensemble de cordon d'alimentation électrique homologué UL marqué pour utilisation avec les sècheuses à vêtements. La trousse doit contenir :

- Un cordon d'alimentation électrique homologué UL de 30 A, 120/240 V minimum. Le câble doit être de type SRD ou SRDT et mesurer au moins 4 pi (1,22 m) de long. Les fils raccordés à la sècheuse doivent se terminer par des cosses rondes ou à fourche à pointes relevées.
- Un serre-câbles (homologation UL).

Si la prise murale ressemble à ceci :



Réceptacle à 4 fils (14-30R)

Choisir un câble d'alimentation à 4 fils avec cosses rondes ou à fourche et un serre-câbles homologué UL. Le câble d'alimentation électrique à 4 fils, d'au moins 4 pi (1,22 m) de long, doit comporter 4 fils en cuivre de calibre 10 et pouvoir se brancher sur une prise à 4 fils de type NEMA 14-30 R. Le fil de liaison à la terre (le conducteur de liaison à la terre) peut être vert ou nu. Le conducteur neutre doit être identifié par une gaine blanche.

Si la prise murale ressemble à ceci :



Réceptacle à 3 fils (10-30R)

Choisir un câble d'alimentation à 3 fils avec cosses rondes ou à fourche et un serre-câbles homologué UL. Le cordon d'alimentation électrique à 3 fils, d'au moins 4 pi (1,22 m) de long, doit comporter trois fils en cuivre torsadés de calibre no 10 et une fiche à 3 fils correspondante de type NEMA 10-30R.

Pour le raccordement direct :

Le câble d'alimentation doit correspondre à l'alimentation électrique (4 fils ou 3 fils) et être :

- Un câble en cuivre à gaine non métallique ou blindé souple (avec fil de mise à la terre), avec conduit métallique souple. Tous les fils sous tension doivent être isolés.
- Fil en cuivre plein de calibre 10 (ne pas utiliser d'aluminium) d'au moins 5 pi (1,52 m) de long.

INSTRUCTIONS DE LIAISON À LA TERRE

- Pour une sècheuse reliée à la terre et connectée par un cordon :
Cette sècheuse doit être reliée à la terre. En cas de mauvais fonctionnement ou de panne, la liaison à la terre réduira le risque de choc électrique en offrant au courant électrique un acheminement d'évacuation de moindre résistance. Cette sècheuse est alimentée par un cordon électrique comportant un conducteur relié à la terre et une fiche de branchement munie d'une broche de liaison à la terre. La fiche doit être branchée sur une prise appropriée qui est bien installée et reliée à la terre conformément à tous les codes et règlements locaux.
- Pour une sècheuse raccordée en permanence :
Cette sècheuse doit être raccordée à un système de câblage permanent en métal relié à la terre ou un conducteur relié à la terre doit être en fonction avec les conducteurs de circuit et raccordé à la borne de liaison à la terre ou la borne sur la sècheuse.

AVERTISSEMENT : Le raccordement incorrect de cet appareil au conducteur de liaison à la terre peut susciter un risque de choc électrique. En cas de doute quant à la qualité de liaison à la terre de la sècheuse, consulter un électricien ou un technicien ou un personnel qualifié. Ne pas modifier la fiche de branchement fournie avec la sècheuse; si la fiche ne correspond pas à la configuration de la prise de courant, demander à un électricien qualifié d'installer une prise de courant appropriée.

CONSERVEZ CES INSTRUCTIONS

Installation électrique – É.-U.

⚠ AVERTISSEMENT



Risque d'incendie

Pour une utilisation avec cordon d'alimentation, utiliser un nouveau cordon d'alimentation de 30 A homologué UL.

Pour un raccordement direct, utiliser un fil de cuivre de calibre 10.

Utiliser un serre-câbles homologué UL.

Déconnecter la source de courant électrique avant de réaliser les connexions électriques.

Connecter le conducteur neutre (blanc ou conducteur central) à la borne centrale (argent).

Connecter le conducteur de liaison à la terre (vert ou nu) au connecteur vert de liaison à la terre.

Connecter les 2 conducteurs d'alimentation restants aux 2 bornes (or) restantes.

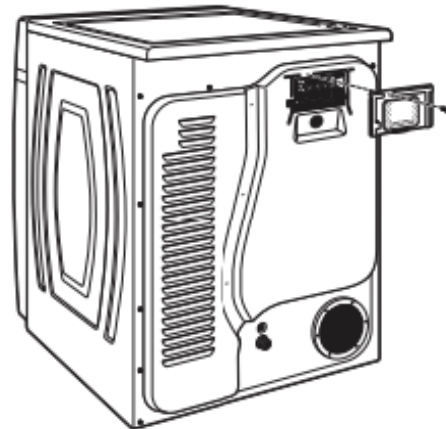
Bien serrer toutes les connexions électriques.

Le non-respect de ces instructions peut causer un décès, un incendie ou une décharge électrique.

1. Déconnecter la source de courant électrique

2. Retirer le couvercle du bornier

REMARQUE : Le couvercle du bornier peut se trouver à un autre endroit.



Retirer la vis de retenue et le couvercle du bornier.

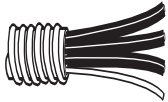
1. Choisir le type de raccordement électrique



Prise de courant à 4 conducteurs (NEMA type 14-30R) : Se référer à la section « Raccordement du câble d'alimentation à 4 fils ». Ensuite, lire la section « Exigences concernant l'évacuation ».



Prise de courant à 3 conducteurs (NEMA type 10-30R) : Se référer à la section « Raccordement du câble d'alimentation à 3 fils ». Ensuite, lire la section « Exigences concernant l'évacuation ».



Raccordement direct à 4 fils : Passer à la section « Serre-câbles pour raccordement direct », puis « Raccordement direct à 4 fils », puis passer à la section « Exigences concernant l'évacuation ».



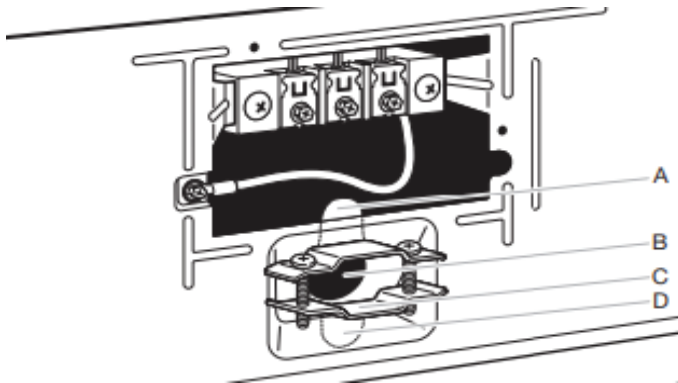
Raccordement direct à 4 fils : Passer à la section « Serre-câbles pour raccordement direct », puis « Raccordement direct à 4 fils », puis passer à la section « Exigences concernant l'évacuation ».

REMARQUE : Si les codes locaux n'autorisent pas le raccordement d'un conducteur de masse de la caisse au fil neutre, voir la section « Mise à la terre externe en option pour raccordement à 3 fils ». Ce raccordement peut servir pour un cordon d'alimentation ou une connexion directe des conducteurs.

Raccordement du cordon d'alimentation

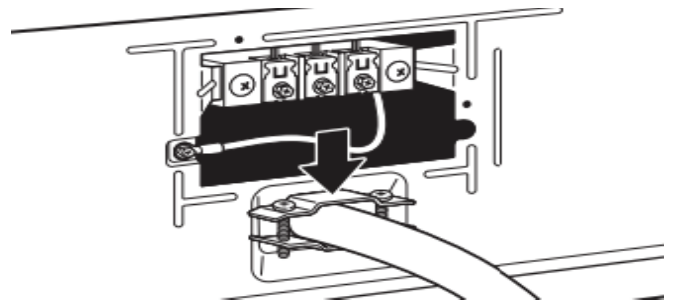
Serre-câble du cordon d'alimentation

1. Raccordement du cordon d'alimentation



Retirer les vis d'un serre-câbles homologué UL de 3/4 po (19 mm) UL (inscription UL sur le serre-câbles). Placer les languettes des deux moitiés de pince (C) dans le trou sous l'ouverture du bornier (B), de sorte qu'une d'entre elles pointe vers le haut (A) et l'autre vers le bas (D). Maintenir en place. Serrer les vis du serre-câbles juste assez pour maintenir ensemble les deux moitiés de pince (C).

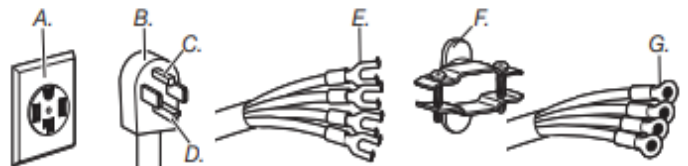
2. Fixer le câble d'alimentation au serre-câble



Passer le cordon d'alimentation à travers le serre-câbles. Vérifier que la gaine d'isolement du cordon d'alimentation rentre à l'intérieur du serre-câbles. Le serre-câbles doit être bien relié à la caisse de la sècheuse et se trouver en position horizontale. Serrer le serre-câbles autour du cordon d'alimentation. Ne pas serrer excessivement les vis du serre-câbles.

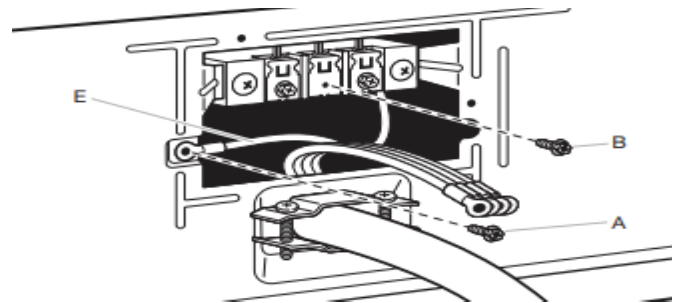
Raccordement du câble d'alimentation à 4 fils

IMPORTANT : Un raccordement à 4 fils est obligatoire pour les maisons mobiles et lorsque les codes locaux n'autorisent pas l'utilisation de raccordements à 3 fils.



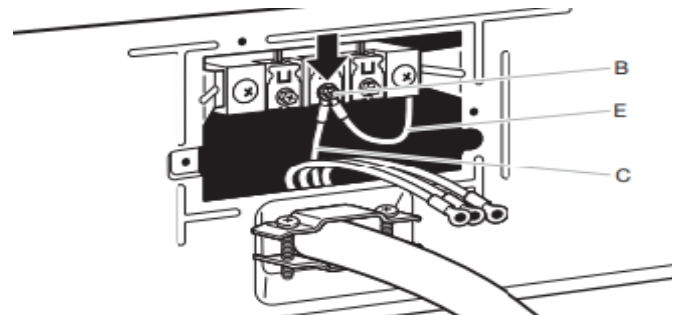
- A. Prise murale à 4 fils (type NEMA 14-30R)
- B. Fiche à 4 broches
- C. Prise de liaison à la terre
- D. Broche pour neutre
- E. Cosses en fourche à pointes relevées
- F. Serre-câble (homologation UL) de 3/4 po (19 mm)
- G. Cosses rondes

3. Préparer l'installation de l'appareil avec fil de terre



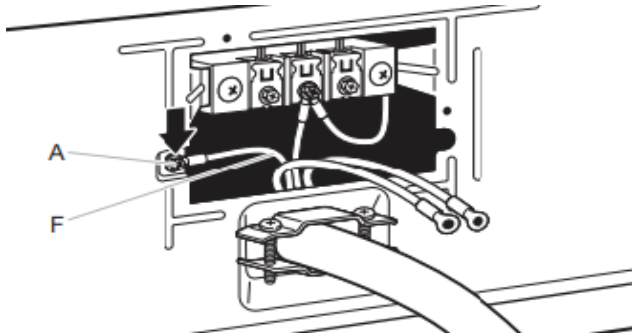
Retirer la vis de la borne centrale (B). Retirer le conducteur de terre neutre (E) de la vis verte du conducteur de terre externe (A).

4. Connecter le conducteur de terre neutre et le conducteur neutre



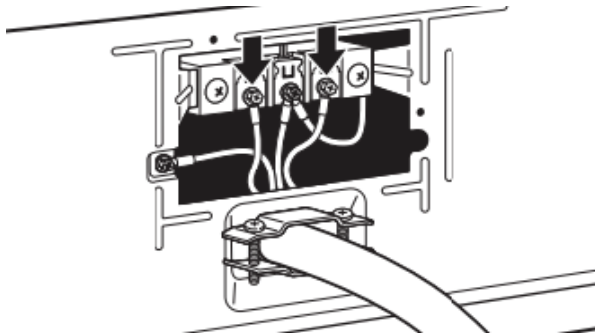
Connecter le conducteur de terre neutre (E) et le conducteur neutre (blanc ou central) (C) du câble d'alimentation sous la vis de la borne centrale (B). Serrer la vis.

5. Connecter le conducteur de liaison à la terre



Connecter le conducteur (vert ou nu) de liaison à la terre (F) du câble d'alimentation sous la vis verte du conducteur de liaison à la terre externe (A). Serrer la vis.

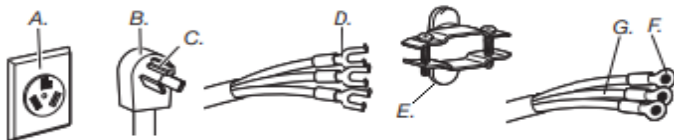
6. Connecter les conducteurs restants



Connecter les conducteurs restants sous les vis les plus à l'extérieur du bornier. Serrer les vis. Placer la languette du couvercle du bornier dans la fente du panneau arrière de la sècheuse. Fixer le couvercle avec la vis de retenue. Ensuite, aller à la section « Exigences concernant l'évacuation ».

Raccordement du câble d'alimentation à 3 fils

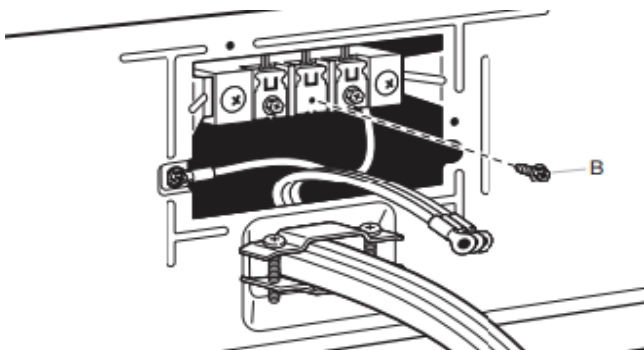
IMPORTANT : À utiliser lorsque les codes locaux autorisent la connexion du conducteur de masse de la caisse au conducteur neutre.



- A. Prise murale à 3 fils (type NEMA 14-30R)
- B. Fiche à 3 broches
- C. Broche pour neutre
- D. Cosses en fourche à pointes relevées

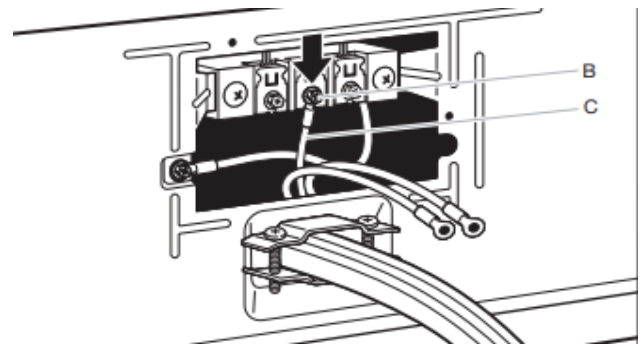
- E. Serre-câble (homologation UL) de 3/4 po (19 mm)
- F. Cosses rondes
- G. Neutre (conducteur blanc ou central)

3. Retirer la vis centrale



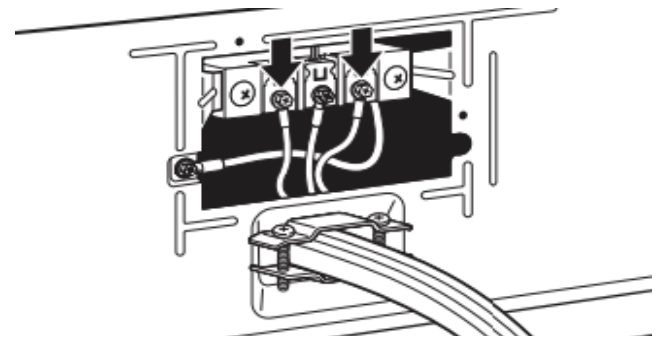
Retirer la vis de la borne centrale (B).

4. Connecter le conducteur neutre



Connecter le conducteur neutre (blanc ou central) (C) du câble d'alimentation sous la vis de la borne centrale (B). Serrer la vis.

5. Connecter les conducteurs restants

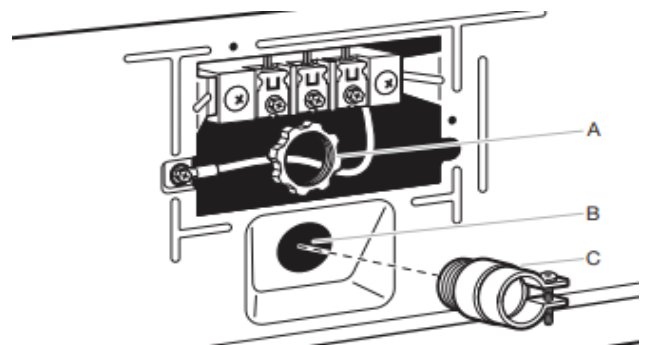


Connecter les conducteurs restants sous les vis les plus à l'extérieur du bornier. Serrer les vis. Placer la languette du couvercle du bornier dans la fente du panneau arrière de la sècheuse. Fixer le couvercle avec la vis de retenue. Ensuite, aller à la section « Exigences concernant l'évacuation ».

Méthode de raccordement direct

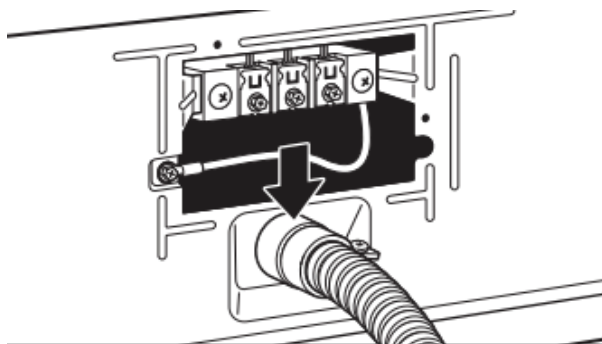
Serre-câble du cordon d'alimentation

1. Fixer le serre-câble pour raccordement direct



Dévisser le raccord de conduit amovible (A) et les vis d'un serre-câbles homologué UL (inscription UL sur le serre-câbles) de 3/4 po (19 mm). Visser la partie filetée du serre-câble dans le trou sous l'ouverture du bornier (B). Visser le connecteur de conduits amovible (A) sur le filetage du serre-câble (C) en passant par l'ouverture du boîtier de connexion puis serrer fermement.

2. Fixer le câble à raccordement direct au serre-câble



Passer le câble à raccordement direct à travers le serre-câbles. Le serre-câbles doit être bien relié à la caisse de la sécheuse et se trouver en position horizontale. Serrer la vis du serre-câbles autour du câble à raccordement direct.

Pour le raccordement direct à 4 fils, passer à l'étape 3.



Raccordement direct à 4 fils :
Se référer à la section
« Raccordement direct à 4 fils ».

Pour le raccordement direct à 3 fils, passer à l'étape 3.

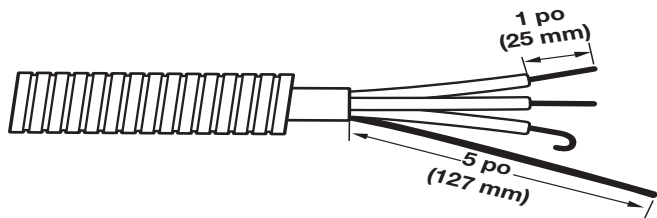


Raccordement direct à 3 fils :
Se référer à la section
« Raccordement direct à 3 fils ».

Raccordement direct à 4 fils

IMPORTANT : Un raccordement à 4 fils est obligatoire pour les maisons mobiles et lorsque les codes locaux n'autorisent pas les raccordements à 3 fils.

3. Préparer le câble à 4 fils pour un raccordement direct

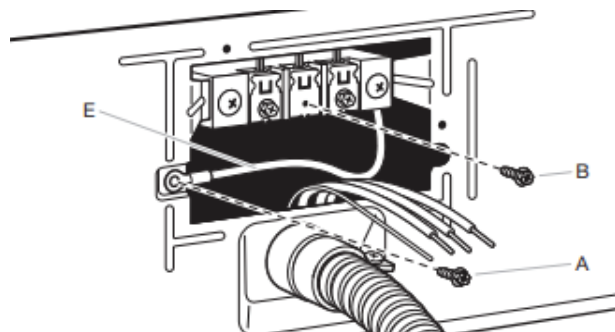


Le câble à raccordement direct doit avoir une longueur supplémentaire de 5 pi (1,52 m) pour pouvoir déplacer la sécheuse si nécessaire.

Dénuder une longueur de 5 po (127 mm) de gaine extérieure à l'extrémité du câble, en laissant le conducteur de mise à la terre nu à la longueur de 5 po (127 mm). Couper $1\frac{1}{2}$ po (38 mm) des 3 conducteurs restants. Dénuder les conducteurs sur une longueur de 1 po (25 mm).

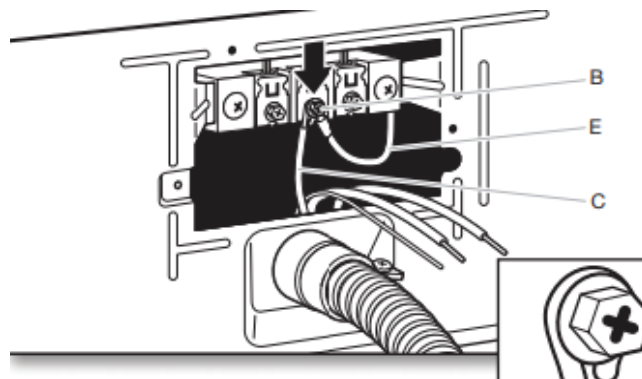
Former des crochets aux extrémités des conducteurs.

4. Préparer la connexion du conducteur de terre neutre au conducteur neutre



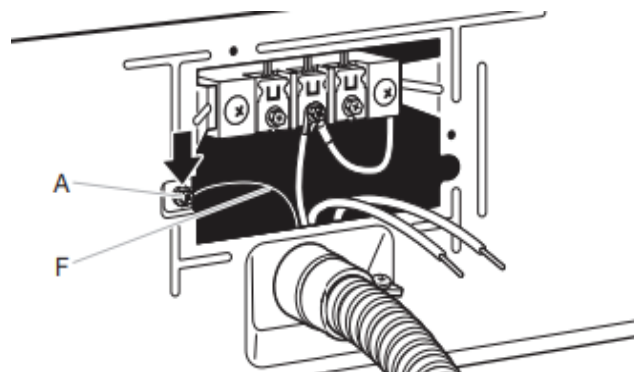
Retirer la vis de la borne centrale (B). Retirer le conducteur de terre neutre (E) de la vis verte du conducteur de terre externe (A).

5. Connecter le conducteur de terre neutre et le conducteur neutre



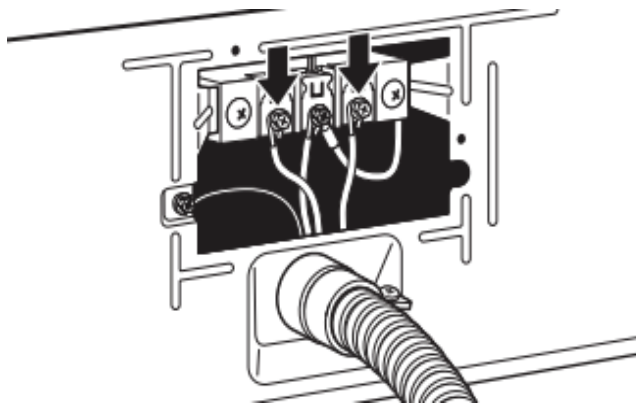
Connecter le conducteur de terre neutre (E) et placer le crochet d'extrémité (crochet vers la droite) du conducteur neutre (blanc ou central) (C) du câble à raccordement direct sous la vis de la borne centrale (B). Rapprocher les extrémités du crochet et serrer la vis.

6. Connecter le conducteur de liaison à la terre



Connecter le conducteur (vert ou nu) de liaison à la terre (F) du câble pour raccordement direct sous la vis verte du conducteur de liaison à la terre externe (A). Serrer la vis.

7. Connecter les conducteurs restants

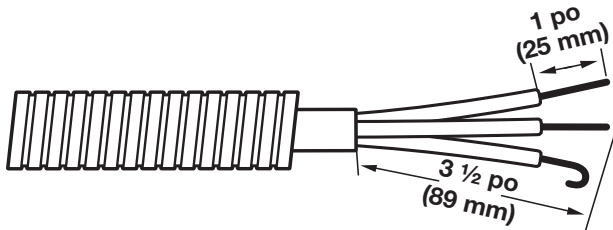


Placer les extrémités en crochet des conducteurs restants du câble pour raccordement direct sous les vis les plus à l'extérieur du bornier (crochets vers la droite). Rapprocher les extrémités du crochet et serrer les vis. Placer la languette du couvercle du bornier dans la fente du panneau arrière de la sécheuse. Fixer le couvercle avec la vie de retenue. Ensuite, aller à la section « Exigences concernant l'évacuation ».

Raccordement direct à 3 fils

IMPORTANT : À utiliser lorsque les codes locaux autorisent la connexion du conducteur de masse de la caisse au conducteur neutre.

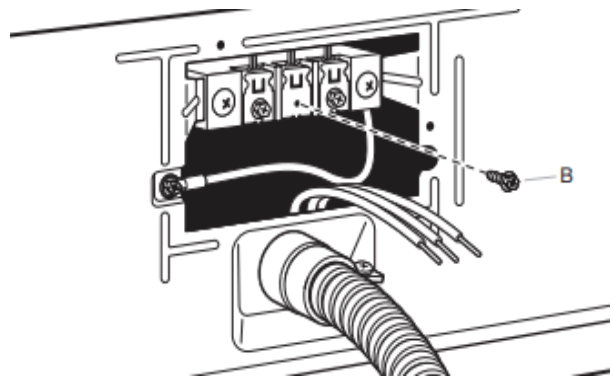
3. Préparer le câble à 3 fils pour un raccordement direct



Le câble à raccordement direct doit avoir une longueur supplémentaire de 5 pi (1,52 m) pour pouvoir déplacer la sécheuse si nécessaire.

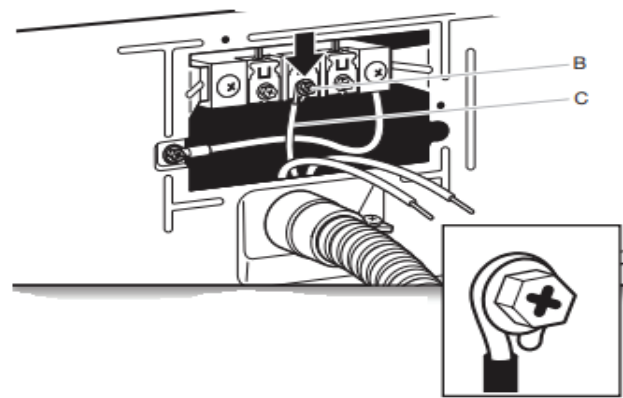
Dénuder une longueur de 3 1/2 po (89 mm) de gaine extérieure à l'extrémité du câble. Dénuder les conducteurs sur une longueur de 1 po (25 mm). En cas d'utilisation d'un câble à 3 fils avec conducteur de mise à la terre, couper le fil nu au même niveau que la gaine extérieure. Former des crochets au bout des conducteurs.

4. Retirer le conducteur central



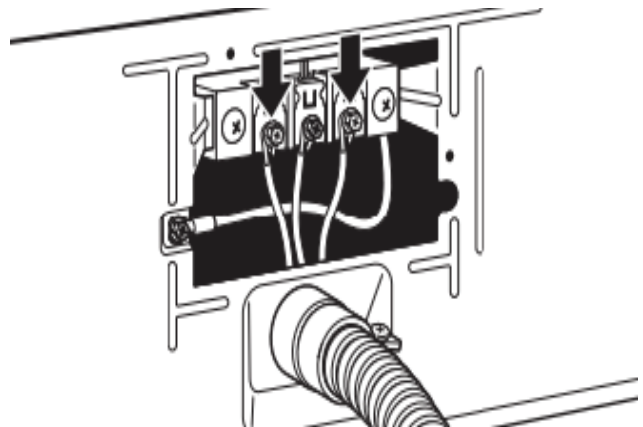
Retirer la vis de la borne centrale (B).

5. Connecter le conducteur neutre



Placer le crochet d'extrémité du conducteur neutre (blanc ou central) (C) du câble pour raccordement direct sous la vis de la borne centrale (B). Rapprocher les extrémités du crochet. Serrer la vis.

6. Connecter les conducteurs restants

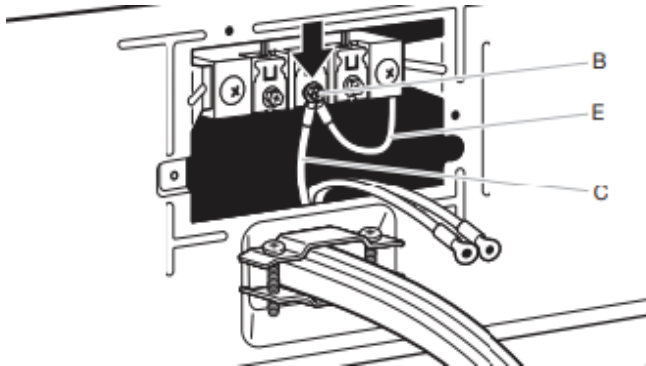


Placer les extrémités en crochet des conducteurs restants du câble pour raccordement direct sous les vis les plus à l'extérieur du bornier (crochets vers la droite). Rapprocher les extrémités du crochet et serrer les vis. Placer la languette du couvercle du bornier dans la fente du panneau arrière de la sécheuse. Fixer le couvercle avec la vie de retenue. Ensuite, aller à la section « Exigences concernant l'évacuation ».

Raccordement à 3 fils en option (cordon d'alimentation illustré)

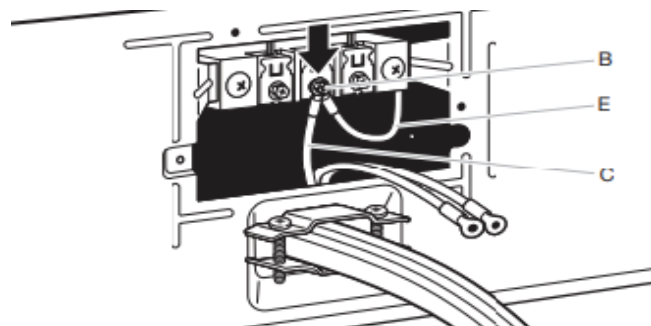
IMPORTANT : Il convient de vérifier auprès d'un électricien qualifié que cette méthode de mise à la terre est acceptable avant d'effectuer le raccordement.

1. Préparer la connexion du conducteur de terre neutre au conducteur neutre



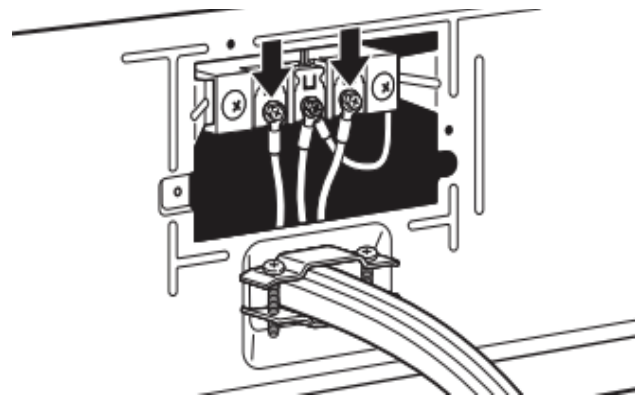
Installer le bon serre-câble selon la méthode de raccordement électrique. Retirer la vis de la borne centrale (B). Retirer le conducteur de terre neutre (E) de la vis verte du conducteur de terre externe (A).

2. Connecter le conducteur de terre neutre et le conducteur neutre



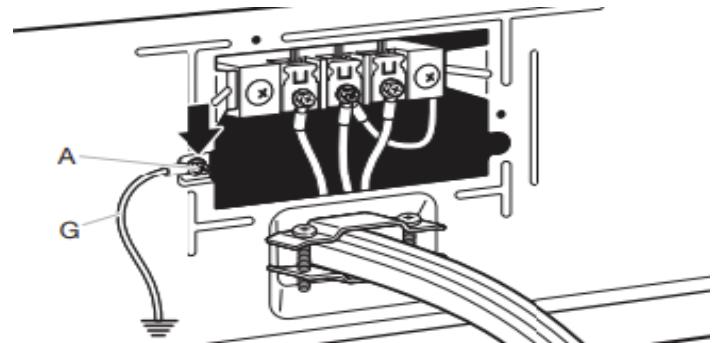
Connecter le conducteur de terre neutre (E) et le conducteur neutre (blanc ou central) (C) du câble d'alimentation ou du câble sous la vis de la borne centrale (B). Serrer la vis.

3. Connecter les conducteurs restants



Placer les conducteurs restants sous les vis les plus à l'extérieur du bornier. Serrer les vis.

4. Connecter le conducteur de liaison à la terre externe



Raccorder un autre conducteur de terre en cuivre (G) depuis la vis verte du conducteur de terre externe (A) jusqu'à une terre adéquate. Placer la languette du couvercle du bornier dans la fente du panneau arrière de la sècheuse. Fixer le couvercle avec la vis de retenue. Ensuite, aller à la section « Exigences concernant l'évacuation ».

DÉPANNAGE

Essayer d'abord les solutions suggérées ici ou consulter notre site Web www.whirlpool.com/product_help – Au Canada, www.whirlpool.ca – pour obtenir de l'aide et éviter une intervention de réparation.

Si les problèmes suivants surviennent	Causes possibles	Solution
Fonctionnement de la sécheuse		
La sécheuse ne fonctionne pas	La porte n'est pas bien fermée.	S'assurer que la porte de la sécheuse est complètement fermée.
	L'utilisateur n'a pas appuyé fermement sur START/PAUSE (mise en marche/pause) ou ne l'a pas maintenu appuyé pendant suffisamment longtemps.	Maintenir enfoncé le bouton START/PAUSE (mise en marche/pause) pendant 2 à 5 secondes.
	Le filtre à charpie et/ou le filtre HybridCare™ n'est/ne sont pas en place.	Remettre le filtre en place dans la sécheuse et s'assurer que la poignée est correctement installée. LF s'affiche si le filtre n'est pas correctement installé.
	Un fusible du domicile est grillé ou le disjoncteur est ouvert.	Il peut y avoir 2 fusibles ou disjoncteurs domestiques pour la sécheuse. Vérifier que les deux fusibles sont intacts et bien en place ou que les deux disjoncteurs ne se sont pas déclenchés. Remplacer les fusibles ou réenclencher le disjoncteur. Si le problème persiste, appeler un électricien.
	Alimentation électrique incorrecte.	Les sécheuses électriques nécessitent une alimentation électrique de 240 V. Vérifier auprès d'un électricien qualifié.
Type de fusible incorrect.	Utiliser un fusible temporisé.	
La sécheuse ne produit pas de chaleur	Un fusible du domicile est grillé ou le disjoncteur est ouvert.	Il est possible que le tambour tourne, mais sans chaleur. Les sécheuses électriques utilisent 2 fusibles ou disjoncteurs domestiques. Remplacer les fusibles ou réenclencher le disjoncteur. Si le problème persiste, appeler un électricien.
	Alimentation électrique incorrecte.	Les sécheuses électriques nécessitent une alimentation électrique de 240 V. Vérifier auprès d'un électricien qualifié.
Sons inhabituels		
Bruit saccadé	La sécheuse n'a pas été utilisée pendant un moment.	Ceci est dû aux rouleaux du tambour qui ont été temporairement aplatis par endroits. Le bruit saccadé s'atténue après quelques minutes d'utilisation.
Bruit de grattement ou de vibration	Un petit objet est coincé dans le bord du tambour de la sécheuse.	Vérifier qu'il n'y a pas de petits objets coincés dans les rebords avant et arrière du tambour. Vider les poches avant le lavage.
	L'aplomb de la sécheuse n'a pas été correctement établi.	La sécheuse peut vibrer si elle n'est pas correctement installée. Voir les instructions d'installation. Les quatre pieds de nivellement de la sécheuse doivent être bien en contact avec le plancher.
	Les vêtements sont en boule dans la sécheuse.	Une charge en boule rebondit, ce qui fait vibrer la sécheuse. Séparer les articles dans la charge et remettre la sécheuse en marche.
Ronflement bruyant ou bruit de plus en plus fort durant le programme	La charge est trop tassée.	Réduire la taille de la charge conformément aux recommandations du « guide des programmes ». Faire fonctionner la sécheuse pendant 5 à 10 minutes.

DÉPANNAGE

Essayer d'abord les solutions suggérées ici ou consulter notre site Web www.whirlpool.com/product_help – Au Canada, www.whirlpool.ca – pour obtenir de l'aide et éviter une intervention de réparation.

Si les problèmes suivants surviennent	Causes possibles	Solution
Résultats de la sècheuse		
Les vêtements ne séchent pas de manière satisfaisante ou le temps de séchage est trop long	Le filtre à charpie est obstrué par de la charpie.	Nettoyer le filtre à charpie avant chaque charge.
	Le filtre HybridCare™ et son tamis sont obstrués par de la charpie.	Nettoyer le filtre HybridCare™ tous les 5 programmes. Nettoyer le tamis derrière le filtre une fois par mois.
	Le filtre du ventilateur de refroidissement est obstrué.	Dégager la sècheuse et s'assurer que le ventilateur de refroidissement assure une ventilation correcte. Nettoyer le filtre du ventilateur de refroidissement situé derrière la sècheuse tous les mois.
	La sècheuse n'est pas d'aplomb.	Les vêtements ne sont pas au contact des détecteurs d'humidité lors du fonctionnement des programmes automatiques. Voir la section « Ajuster l'aplomb de la sècheuse » dans les Instructions d'installation.
	La charge est trop grosse et trop lourde pour sécher rapidement.	Séparer la charge pour qu'elle culbute librement.
	Des feuilles d'assouplissant obstruent la grille.	La grille de sortie de l'air se trouve à l'intérieur de la porte, derrière le filtre à charpie. Vérifier qu'elle n'est pas obstruée par une feuille d'assouplissant. Utiliser seulement une feuille d'assouplissant par charge et l'utiliser une seule fois.
	La sècheuse se trouve dans une pièce où la température ambiante est inférieure à 45 °F (7 °C).	Le bon fonctionnement des programmes de la sècheuse nécessite une température ambiante supérieure à 45 °F (7 °C).
	La sècheuse est placée dans un placard.	Les portes de placard doivent comporter des ouvertures d'aération au sommet et au bas de la porte. Un espace minimum de 1 po (25 mm) est nécessaire à l'avant de la sècheuse et, pour la plupart des installations, un espace de 5 po (127 mm) est nécessaire à l'arrière de la sècheuse. Voir les instructions d'installation.
Il y a peut-être de l'eau dans le filtre HybridCare™ ou sur le sol	La sècheuse n'est pas d'aplomb.	L'inclinaison de la sècheuse doit être de moins de 1 po (25 mm). Voir la section « Ajuster l'aplomb de la sècheuse » dans les Instructions d'installation.
	Le filtre HybridCare™ n'est pas correctement installé.	Vérifier que le filtre est correctement placé dans le logement de la caisse. Voir la section « Nettoyer le filtre HybridCare™ et le filtre à charpie ».
	Le tuyau de vidange est plus long que ce qui a été fourni.	Le tuyau de vidange ne doit pas être installé à une hauteur de plus de 72 po (1,8 m) du bas de la sècheuse. Voir la section « Système de vidange » dans les Instructions d'installation.
La durée du programme est trop courte	La charge n'est peut-être pas en contact avec les bandes de détection (pour les programmes automatiques).	Ajuster l'aplomb de la sècheuse. Voir les instructions d'installation. Les quatre pieds de nivellement de la sècheuse doivent être bien en contact avec le plancher.
	Le programme automatique se termine prématurément.	Modifier le réglage de degré de séchage pour les programmes automatiques. L'augmentation ou la diminution du degré de séchage modifiera la durée de séchage d'un programme. Si le séchage des charges se termine systématiquement trop tôt, voir aussi « Changement des réglages de programmes automatique pour augmenter ou réduire la durée de séchage ».
Charpie sur la charge	Le filtre à charpie est obstrué par de la charpie.	Nettoyer le filtre à charpie avant chaque charge.
Présence de taches sur le linge	Utilisation incorrecte de l'assouplissant.	Ajouter les feuilles d'assouplissant au début du programme. Les feuilles d'assouplissant ajoutées à une charge partiellement sèche peuvent tacher les vêtements. Ne pas utiliser de feuilles d'assouplissant pour tissu pour les programmes avec vapeur.

DÉPANNAGE

Essayer d'abord les solutions suggérées ici ou consulter notre site Web www.whirlpool.com/product_help – Au Canada, www.whirlpool.ca – pour obtenir de l'aide et éviter une intervention de réparation.

Si les problèmes suivants surviennent	Causes possibles	Solution
Résultats de la sècheuse (suite)		
Présence de taches sur le tambour	Teintures instables sur les vêtements.	Les taches sur le tambour sont dues aux teintures contenues dans les vêtements (les jeans en général). Elles ne se transmettront pas aux autres vêtements.
Charges froissées	La charge n'a pas été retirée de la sècheuse à la fin du programme.	Se reporter aux instructions figurant sur l'étiquette de soin des vêtements. Les articles avec nettoyage à sec uniquement sont déconseillés.
	Les vêtements sont tassés dans la sècheuse.	Faire sécher de plus petites charges qui peuvent culbuter librement. Les résultats peuvent varier selon le type de tissu.
Odeurs	De la peinture, de la teinture ou du vernis a récemment été utilisé dans la pièce où votre sècheuse est installée.	Aérer la pièce. Une fois les odeurs ou émanations disparues, laver et sécher à nouveau les vêtements.
	Des odeurs persistent dans des vêtements déjà portés.	Laver et sécher de nouveau les vêtements.
Charge trop chaude	La charge a été retirée avant que la portion de refroidissement du programme ne soit terminée.	Laisser la sècheuse terminer la portion de refroidissement du programme avant d'enlever la charge.
	Utilisation d'un programme minuté avec un réglage de température élevé.	Sélectionner un programme automatique avec un réglage de chaleur inférieur pour éviter que la charge ne soit excessivement sèche.
Taches ou accumulation de charpie sur le mur derrière la sècheuse	Sècheuse trop proche du mur.	Dégager la sècheuse du mur et s'assurer que la ventilation est correcte.
Le témoin lumineux Clean HybridCare™ Filter (nettoyer le filtre HybridCare™) est allumé	Le filtre HybridCare™ ou le filtre à charpie est obstrué.	La sècheuse continue de fonctionner lorsque ce témoin lumineux est allumé. Essayer de résoudre le problème de la façon suivante : <ul style="list-style-type: none"> • Nettoyer le filtre à charpie. • Nettoyer le filtre HybridCare™ et le tamis à l'arrière de la caisse du filtre. Ceux-ci doivent être nettoyés tous les 5 programmes pour de meilleures performances.
Code affiché ou symbole DEL ou témoin d'état de programme allumé		
« LF »	Le filtre à charpie est retiré.	Indique que le filtre HybridCare™ a été retiré. Placer le filtre dans la sècheuse et s'assurer que la poignée est correctement installée.
« PF » (coupure de courant)	Le programme de séchage a été interrompu par une panne de courant.	Appuyer sans relâcher sur START (mise en marche) pour remettre la sècheuse en marche. REMARQUE : Il est possible que la fonction de verrouillage des commandes soit activée après une panne de courant. Pour déverrouiller le tableau de commande, toucher CONTROL LOCK (verrouillage des commandes) pendant au moins 3 secondes.

DÉPANNAGE

Essayer d'abord les solutions suggérées ici ou consulter notre site Web www.whirlpool.com/product_help – Au Canada, www.whirlpool.ca – pour obtenir de l'aide et éviter une intervention de réparation.

Si les problèmes suivants surviennent	Causes possibles	Solution
Code affiché ou symbole DEL ou témoin d'état de programme allumé (suite)		
Code de diagnostic « L2 » (situation de basse tension ou d'absence de tension)	Il est possible qu'un problème d'alimentation électrique du domicile empêche le dispositif de chauffage de la sècheuse de se mettre en marche.	<p>La sècheuse continue de fonctionner lorsque ce code de diagnostic est présent. Appuyer sur n'importe quelle touche pour effacer le code de l'affichage et revenir à la durée résiduelle estimée.</p> <p>REMARQUE : Cette erreur n'apparaît qu'au moment de l'installation initiale.</p> <p>Essayer de résoudre le problème de la façon suivante :</p> <p>Déterminer si un fusible est grillé ou si un disjoncteur s'est déclenché. Les sècheuses électriques utilisent deux fusibles ou disjoncteurs domestiques. Remplacer le fusible ou réenclencher le disjoncteur.</p> <p>S'assurer que le cordon d'alimentation est bien installé. Consulter les « Instructions d'installation » pour plus de détails. Sélectionner un programme de séchage minuté avec chaleur et remettre la sècheuse en marche.</p> <p>Si le message reste affiché, consulter un électricien qualifié.</p>
Codes de service variables « F# E# » (F1 E1, F3 E1, etc.)	La sècheuse doit être réparée.	Si un code commençant par un « F » et alternant entre F# et E# apparaît sur l'affichage, cela signifie que le module de commande de la sècheuse a détecté un problème nécessitant une réparation. Appeler pour demander une intervention de dépannage.
« Loc »	Le mode verrouillage des commandes est activé.	Maintenir CONTROL LOCK (verrouillage des commandes) enfoncé pendant 3 secondes pour déverrouiller les commandes de la sècheuse. Pendant cette période, l'affichage à DEL indiquera un compte à rebours 3-2-1. L'écran à DEL s'éteint lorsque le verrouillage des commandes est désactivé.

Remarques

ASSISTANCE OR SERVICE

Before calling for assistance or service, please check "Troubleshooting" or visit www.whirlpool.com/product_help. It may save you the cost of a service call. If you still need help, follow the instructions below.

When calling, please know the purchase date and the complete model and serial number of your appliance. This information will help us to better respond to your request.

If you need replacement parts or to order accessories

We recommend that you use only FSP® Factory Specified Parts.

These parts will fit right and work right because they are made with the same precision used to build every new Admiral, Estate, Inglis, or Roper brands of Whirlpool Corporation or Whirlpool Canada LP appliance.

To locate FSP® replacement parts, assistance in your area, warranty, or accessories:

Whirlpool Corporation Customer eXperience Center
800-688-9920 for Admiral,
800-253-1301 for Estate, or 800-447-6737 for Roper
866-698-2538 (Accessories)
www.whirlpool.com/accessories

Whirlpool Canada LP
Customer eXperience Centre
800-807-6777 for
Admiral, Estate, Inglis, & Roper
www.whirlpoolappliances.ca

or call your nearest designated service center or refer to your Yellow Pages telephone directory.

Our consultants provide assistance with

In the U.S.A.

- Features and specifications on our full line of appliances.
- Installation information.
- Specialized customer assistance (Spanish speaking, hearing impaired, limited vision, etc.).

In the U.S.A. and Canada

- Use and maintenance procedures.
- Accessory and repair parts sales.
- Referrals to local dealers, repair parts distributors, and service companies. Whirlpool designated service technicians are trained to fulfill the product warranty and provide after-warranty service, anywhere in the United States and Canada.

You can write with any questions or concerns at:

Whirlpool Corporation
Customer eXperience Center
553 Benson Road
Benton Harbor, MI 49022-2692

Customer eXperience Centre
Whirlpool Canada LP
Unit 200-6750 Century Ave
Mississauga, Ontario L5N 0B7

Please include a daytime phone number in your correspondence.

ASSISTANCE OU SERVICE

Avant de faire un appel pour assistance ou service, veuillez vérifier la section "Dépannage" ou consulter www.whirlpool.com/product_help. Cette vérification peut vous faire économiser le coût d'une visite de réparation.

Si vous avez encore besoin d'aide, suivre les instructions ci-dessous.

Lors d'un appel, veuillez connaître la date d'achat et les numéros au complet de modèle et de série de votre appareil. Ces renseignements nous aideront à mieux répondre à votre demande.

Si vous avez besoin de pièces de rechange ou pour commander des accessoires

Si vous avez besoin de commander des pièces de rechange ou des accessoires, nous vous recommandons d'utiliser seulement des pièces FSP® spécifiées par l'usine. Ces pièces conviendront et fonctionneront bien parce qu'elles sont fabriquées avec la même précision que celle utilisée dans la fabrication de chaque nouvel appareil de marque Admiral, Estate, Inglis, ou Roper de Whirlpool Corporation ou Whirlpool Canada LP. Pour localiser des pièces de rechange FSP® ou des accessoires ou pour obtenir de l'aide dans votre région :

Pour localiser les pièces de rechange FSP®, l'aide, la garantie ou les accessoires dans votre région :

Whirlpool Canada LP Centre pour l'eXpérience de la clientèle **800-807-6777** **www.whirlpoolappliances.ca**

ou contacter votre centre de réparation désigné le plus proche, ou encore consulter les Pages Jaunes.

Nos consultants fournissent l'assistance pour :

- Procédés d'utilisation et d'entretien.
- Vente d'accessoires et de pièces de rechange.
- Les références aux concessionnaires, compagnies de service de réparation et distributeurs de pièces de rechange locaux. Les techniciens de service désignés par Whirlpool sont formés pour remplir la garantie des produits et fournir un service après la garantie, partout au Canada.

Pour plus d'assistance

Vous pouvez nous soumettre toute question ou problème en écrivant à l'adresse ci-dessous :

Centre pour l'eXpérience de la clientèle
Whirlpool Canada LP
Unit 200-6750 Century Ave
Mississauga, Ontario L5N 0B7

Dans votre correspondance, veuillez indiquer un numéro de téléphone où on peut vous joindre dans la journée.