



6.0 cu. ft. Double Oven Gas Range

WGG745S0F



Stainless Steel
WGG745S0FS

Also available in:

White Ice **WGG745S0FH**

Black Ice **WGG745S0FE**

Capacity

Upper Oven	2.1 cu. ft.
Lower Oven	3.9 cu. ft.

General Features & Properties

SpeedHeat™ Burner
Center Oval Burner
Convection Conversion
Temperature Sensor
Rapid Preheat (Lower Oven Only)
SteamClean Option
6.0 cu. ft. Capacity
Dishwasher-Safe Knobs

Electrical Details

Amps	15
Volts	120

Certifications

ADA Compliant	Yes
Star-K Certified/Kosher	Yes

Technical Details

Fuel Type	Gas
Range Type	Freestanding Double Oven
Oven Cooking System	Upper—Thermal Lower—True Convection
Number of Oven Racks	Upper—1 Lower—2
Cleaning Type	Self-Cleaning
Number of Burners	5
Burner Type	Sealed Burners
Burner Power	(2) 5000 BTU (1) 7350 BTU (1) 10,000 BTU (1) 16,000 BTU

Dimensions

Product Dimensions (H x W x D)	47-1/8" x 29-15/16" x 28-1/2"
Depth with Door Open 90°	46"

Reference Material

[Dimension Guide](#)

[Install Guide](#)

[Use & Care Guide](#)

[Warranty](#)

Key Features & Benefits

Frozen Bake™ Technology

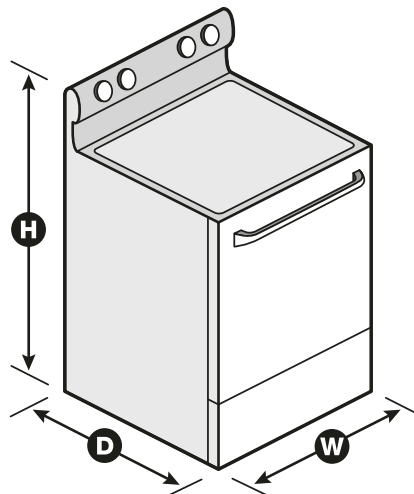
Cook frozen favorites faster with preprogrammed settings that automatically adjust cooking times.

EZ-2-Lift™ Hinged Cast-Iron Grates

Wipe up the cooktop without removing the grates thanks to a hinged design that makes cleaning simple.

True Convection Cooking

Cooks foods fast by using a third element plus a fan to distribute hot air evenly over, under and around food.



NOTE: Dimensions are for planning purposes only. For complete details, see Installation Instructions packed with product. Specifications subject to change without notice.

®/™ © 2020. All rights reserved. Printed in the U.S.A. D200052XXB. WGG745S0FSPECSHEETV01.