

24" Compact Washer



500 Series Washer with Home Connect® – WGB24600UC



WGB24600UC
White

The 500 Series laundry pair is recognized as **ENERGY STAR® Most Efficient of 2024** and offers fast wash and dry cycles.

Features & Benefits

With the Home Connect® app, control and monitor your appliance remotely and receive helpful notifications on your smart device, including when a cycle is complete.

AquaStop® Plus provides protection against water damage with 24 hour leak detection.

4D Wash System sprays soapy water directly into your clothes to ensure every item gets a full clean.

At 2.4 cu. ft. Bosch washers are compact in size without sacrificing capacity so you can fit a variety of loads.

General Properties

Tub material	Stainless Steel
Maximum spin speed	1,600 rpm
Interior light	Yes
Leak protection systems	AquaStop® Plus
Internal water heater	Yes
Stackable	Yes with Stacking Kit Accessory
Silence level – washing	51 dBA
Silence level – spinning	75 dBA
Programs (No.), [Special]	(14) [Sanitize, SuperQuick 15/30™]
Options (No.), [Special]	(10) [Remote Start, SpeedPerfect®]
Home Connect® (Wi-Fi enabled)	Yes
Energy consumption	105 kWh/yr
Water consumption	2,430 gal/yr
ENERGY STAR® certified	Most Efficient 2024

Capacity

Capacity	2.4 cu. ft.
----------	-------------

Design Elements

Door ring	Chrome
Control type	Premium LED touch
Dial	Illuminated jog dial
Bosch logo on door glass	Yes

Technical Details

Watts	2,000 W
Circuit breaker	15 A*
Volts	208/220-240 V
Current	10.5 A
Frequency	60 Hz
Power Cord (included) [Type]	(Yes) [240V; NEMA 6-15, 3-prong]

Technical Details Continued

Power cord length	63" (Full Length)
Drain hose length	57" (Full Length)
Inlet hose length	59" (Full Length)
Door hinge	Left Side (Not Reversible)

Dimensions & Weight

Overall appliance dimensions (HxWxD)	33 1/4" x 23 1/2" x 25 1/2"
Net weight	182 lbs
Minimum stack height	67 3/4"

*ADA compliance

- Meets ADA height and access requirements *when installed on pedestal.*
- Meets ADA operable parts requirements for controls and detergent dispenser.

Accessories

Short Stainless Steel Hose (If needed for plumbing box clearance with AQS hose)	P/N 645787
---	------------

Dryer Stacking Kits



WTZ27500UC
Kit w/ Shelf

WTZ27510UC
Kit w/out Shelf

WTZSB30UC
Kit w/Brackets

Necessary only when stacking a matching Bosch dryer on top of washer. Shown here for reference only.

Power Adapters



WTZPA20UC
4-Prong

WTZPA30US
3-Prong

Matching Bosch Dryers are supplied with WTZPA20UC adapter to fit a standard 4-Prong, 30A, Dryer receptacle (NEMA 14-30R) to power both Bosch Washers and Dryers.

- Note: – 3-Prong Adapter may be ordered directly from Bosch (not supplied with Washer or Dryer).
– Use of two individual NEMA 6-15R or 6-20R receptacles/circuits may be used as alternative means to power Washer and Dryer.



WMZPW20W
Washer Pedestal



*Stated circuit breaker size is if the appliance is plugged into an individual 240/208V, 15A minimum branch circuit.

†To be fully ADA compliant, these units must be installed according to ADA guidelines. Please check current ADA requirements for guidance on installation.

Accessories: To purchase Bosch accessories, cleaners & parts please visit www.bosch-home.com/us/store or call 1-800-944-2904 (Mon to Fri 5 am to 6 pm PST, Sat 6 am to 3 pm PST).

Notes: All height, width and depth dimensions are shown in inches. BSH reserves the absolute and unrestricted right to change product materials and specifications, at any time, without notice. Consult the product's installation instructions for final dimensional data and other details prior to making cutout.

Warranties: Please see Use & Care manual or Bosch website for statement of limited warranty.

For more information on our entire line of products, go to www.bosch-home.com/us or call 1-800-944-2904

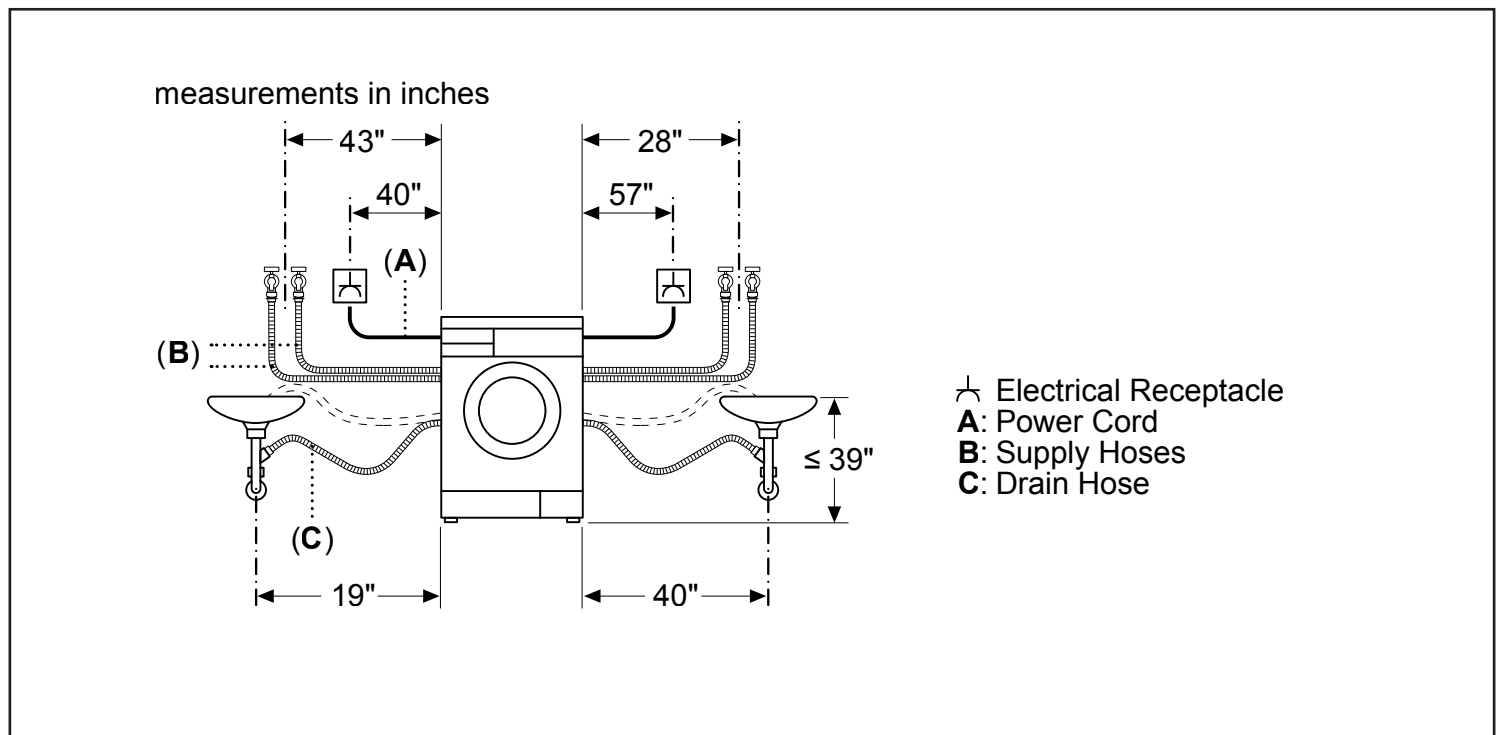
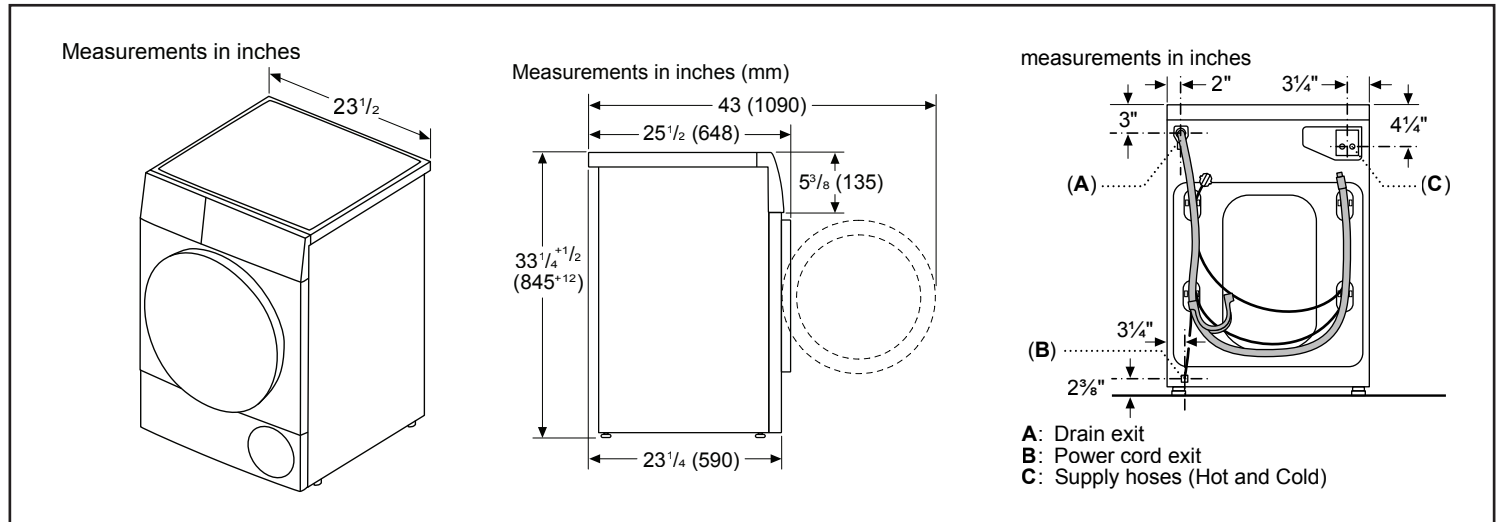
© BSH Home Appliances Corporation. All rights reserved. Bosch is a registered trademark of Robert Bosch GmbH.

24" Compact Washer



500 Series Washer with Home Connect® – WGB24600UC

Installation Details



Accessories: To purchase Bosch accessories, cleaners & parts please visit www.bosch-home.com/us/store or call 1-800-944-2904 (Mon to Fri 5 am to 6 pm PST, Sat 6 am to 3 pm PST).

Notes: All height, width and depth dimensions are shown in inches. BSH reserves the absolute and unrestricted right to change product materials and specifications, at any time, without notice. Consult the product's installation instructions for final dimensional data and other details prior to making cutout.

Warranties: Please see Use & Care manual or Bosch website for statement of limited warranty.

For more information on our entire line of products, go to www.bosch-home.com/us or call 1-800-944-2904

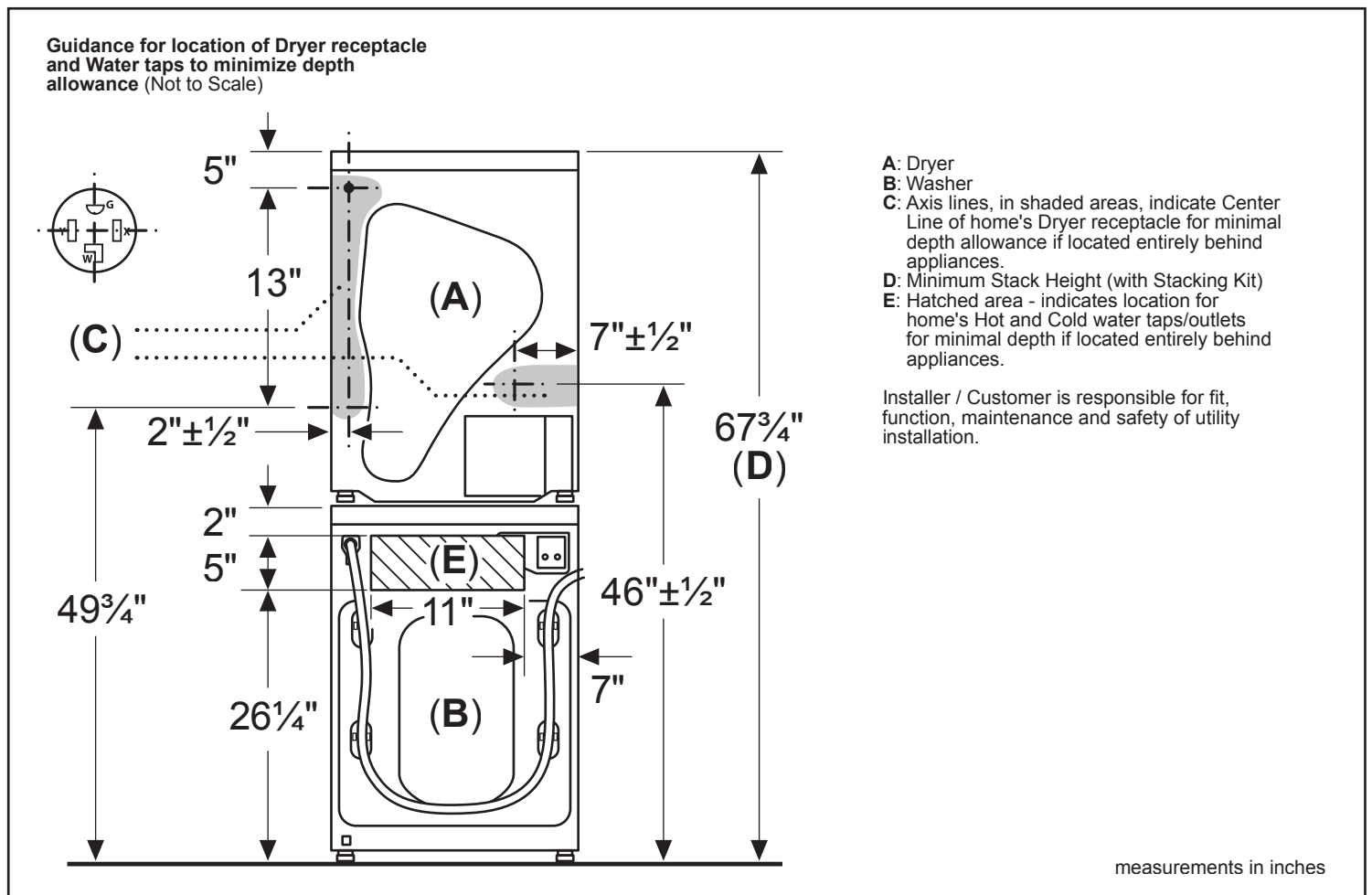
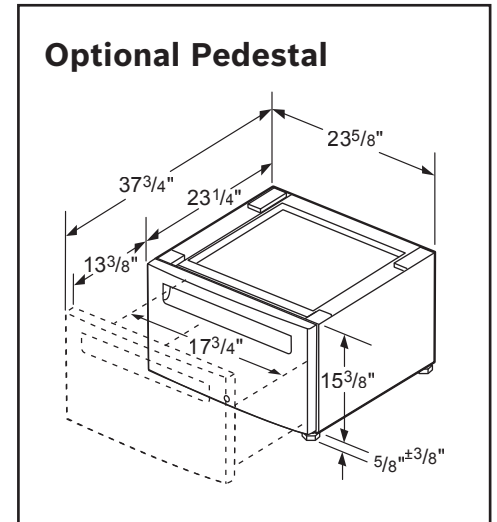
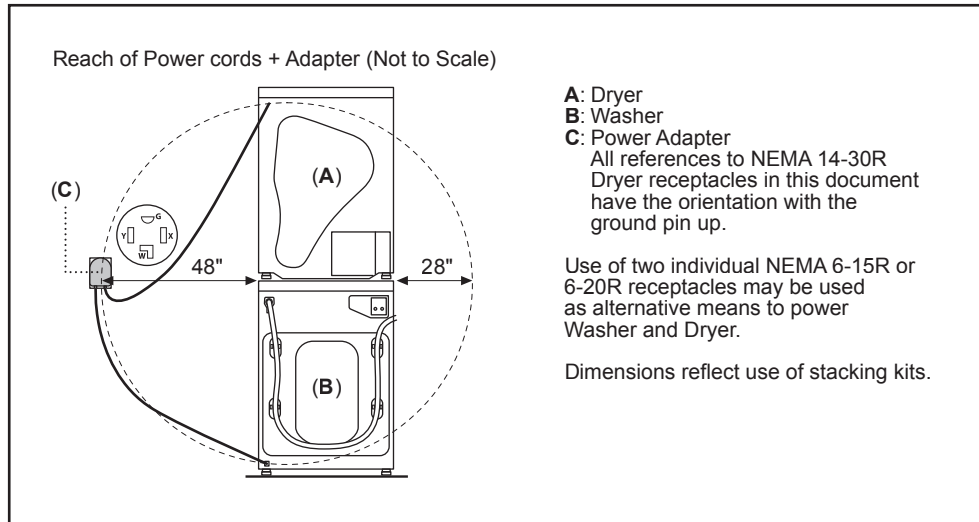
© BSH Home Appliances Corporation. All rights reserved. Bosch is a registered trademark of Robert Bosch GmbH.

24" Compact Washer



500 Series Washer with Home Connect® – WGB24600UC

Installation Details



Accessories: To purchase Bosch accessories, cleaners & parts please visit www.bosch-home.com/us/store or call 1-800-944-2904 (Mon to Fri 5 am to 6 pm PST, Sat 6 am to 3 pm PST).

Notes: All height, width and depth dimensions are shown in inches. BSH reserves the absolute and unrestricted right to change product materials and specifications, at any time, without notice. Consult the product's installation instructions for final dimensional data and other details prior to making cutout.

Warranties: Please see Use & Care manual or Bosch website for statement of limited warranty.

For more information on our entire line of products, go to www.bosch-home.com/us or call 1-800-944-2904

© BSH Home Appliances Corporation. All rights reserved. Bosch is a registered trademark of Robert Bosch GmbH.

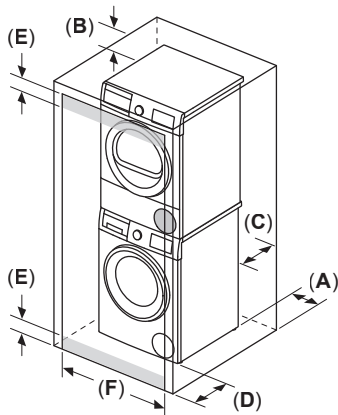
24" Compact Washer



500 Series Washer with Home Connect® – WGB24600UC

Installation Details

Closet: Stacked Washer with Heat Pump Dryer



Minimum clearance requirements

(Stacked, Stand Alone or Side by Side):

A: Both sides (left and right) – 1/2"

B: Top – 6 1/4"

C: Rear – 3"

D: Front – 1/2"

Minimum door undercut (louvered area):

E: Undercut height (Top and Bottom) – 1 1/4"

Louvered areas of equal total sizes and split between upper and lower portions of door are permitted.

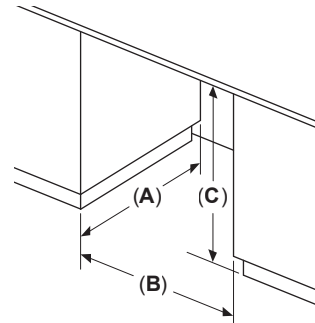
F: Undercut width (Top and Bottom):

– 24" minimum for Stacked and Stand Alone

– 48" minimum for Side by Side

For shortest drying times keep closet door open while dryer is operating. When closet doors are closed, open areas only allow minimal drying results (expect long drying times).

Under Counter



Minimum opening dimensions:

A: Depth – 28"

B: Width – 23 7/8"

C: Height – 34 1/2"

Front of appliance fully open.
No doors or coverings.

Accessories: To purchase Bosch accessories, cleaners & parts please visit www.bosch-home.com/us/store or call 1-800-944-2904 (Mon to Fri 5 am to 6 pm PST, Sat 6 am to 3 pm PST).

Notes: All height, width and depth dimensions are shown in inches. BSH reserves the absolute and unrestricted right to change product materials and specifications, at any time, without notice. Consult the product's installation instructions for final dimensional data and other details prior to making cutout.

Warranties: Please see Use & Care manual or Bosch website for statement of limited warranty.

For more information on our entire line of products, go to www.bosch-home.com/us or call 1-800-944-2904

© BSH Home Appliances Corporation. All rights reserved. Bosch is a registered trademark of Robert Bosch GmbH.