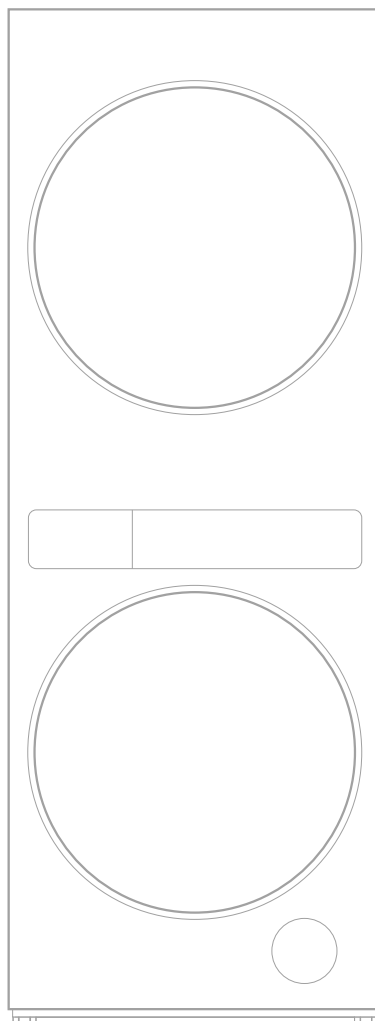




**FRONT LOAD TOWER OWNER'S MANUAL  
MANUEL D'UTILISATION DE LA TOUR DE LAVAGE**

---

**WFH5424SJ  
YWFH5424SJ  
WFH5424SW  
YWFH5424SW**



## Table of Contents

## Table des matières

<b>WASHER/DRYER SAFETY</b> .....	<b>3</b>
Washer Safety.....	3
Dryer Safety.....	4
<b>INSTALLATION INSTRUCTIONS</b> .....	<b>6</b>
Installation Requirements.....	6
Location Requirements.....	7
Installation .....	9
Electrical Requirements -U.S.A Only.....	12
Electrical Requirements -Canada Only.....	13
Electrical Installation-U.S.A. Only.....	14
Complete Installation Checklist.....	19
<b>PRODUCT OVERVIEW</b> .....	<b>19</b>
Product Features.....	19
Load & Go™ Dispenser.....	21
<b>OPERATING INSTRUCTIONS</b> .....	<b>21</b>
Control Panel.....	21
Using The Quick Start.....	22
Cycle Guide (Washer).....	23
Control Panel Function Introduction (Washer)..	26
Cycle Guide (Dryer).....	28
Control Panel Function Introduction (Dryer)....	29
<b>CARE AND MAINTENANCE</b> .....	<b>30</b>
Tower Care.....	30
Cleaning the Detergent dispenser drawer .....	30
Drum cleaning .....	30
Cleaning the drain pump filter.....	30
Lint filter cleaning.....	31
Humidity sensor.....	31
Clean the inner filter screen.....	31
Winter Storage Care.....	31
<b>TRANSPORT AND HANDLING</b> .....	<b>31</b>
<b>TROUBLE SHOOTING</b> .....	<b>32</b>

<b>SÉCURITÉ DE LA TOUR DE LAVAGE</b> .....	<b>34</b>
Sécurité de la laveuse.....	34
Sécurité De La Sécheuse.....	35
<b>INSTRUCTIONS D'INSTALLATION</b> .....	<b>37</b>
Exigences relatives à l'installation.....	37
Exigences relatives à l'emplacement.....	38
Installation.....	40
Exigences électriques – É.-U. uniquement....	43
Raccordement électrique de la sécheuse - Canada uniquement.....	44
Installation électrique – É.-U. uniquement....	45
Liste de contrôle d'installation compétè.....	50
<b>VUE D'ENSEMBLE DU PRODUIT</b> .....	<b>50</b>
Caractéristiques du produit.....	50
Distributeur Load & Go™.....	52
<b>MODE D'EMPLOI</b> .....	<b>52</b>
Panneau de commande.....	52
Utilisation du démarrage rapide.....	53
Guide des cycles (Laveuse).....	54
Présentation des fonctions du panneau de commande (Laveuse).....	57
Guide des cycles (Sécheuse).....	59
Présentation des fonctions du panneau de commande (Sécheuse).....	60
<b>ENTRETIEN ET MAINTENANCE</b> .....	<b>61</b>
Entretien de la tour.....	61
Nettoyage du distributeur de détergent .....	61
Nettoyage du tambour.....	61
Nettoyage du filtre de la pompe de vidange...61	
Nettoyage du filtre à charpie.....	62
Capteur d'humidité.....	62
Nettoyage du filtre .....	62
Entretien pour le stockage hivernal.....	62
<b>TRANSPORT ET MANUTENTION</b> .....	<b>62</b>
<b>DÉPANNAGE</b> .....	<b>63</b>



Designed to use only HE  
High Efficiency detergents.

Conçue pour l'utilisation  
d'un détergent haute  
efficacité seulement.

# WASHER/DRYER SAFETY

## Washer Safety

### Your safety and the safety of others is very important.

We have provided many important safety messages in this manual and on your appliance. Always read and obey all safety messages.



This is the safety alert symbol.

This symbol alerts you to potential hazards that can kill or hurt you and others.

All safety messages will follow the safety alert symbol and either the word "DANGER" or "WARNING." These words mean:

**⚠ DANGER**

**You can be killed or seriously injured if you don't immediately follow instructions.**

**⚠ WARNING**

**You can be killed or seriously injured if you don't follow instructions.**

All safety messages will tell you what the potential hazard is, tell you how to reduce the chance of injury, and tell you what can happen if the instructions are not followed.

### IMPORTANT SAFETY INSTRUCTIONS

**WARNING:** To reduce the risk of fire, electric shock, or injury to persons when using your appliance, follow basic precautions, including the following:

- Read all instructions before using the appliance.
- Do not wash articles that have been previously cleaned in, washed in, soaked in, or spotted with gasoline, dry-cleaning solvents, or other flammable or explosive substances, as they give off vapors that could ignite or explode.
- Do not add gasoline, dry-cleaning solvents, or other flammable or explosive substances to the wash water. These substances give off vapors that could ignite or explode.
- Under certain conditions, hydrogen gas may be produced in a hot-water system that has not been used for 2 weeks or more. **HYDROGEN GAS IS EXPLOSIVE.** If the hot-water system has not been used for such a period, before using a washing machine, turn on all hot-water faucets and let the water flow from each for several minutes. This will release any accumulated hydrogen gas. As the gas is flammable, do not smoke or use an open flame during this time.
- Risk of Suffocation and Injury from Entrapment: Do not allow children to play on or in the appliance. Close supervision of children is necessary when the appliance is used near children.
- Before the appliance is removed from service or discarded, remove the door.
- Do not reach into the appliance if the tub or agitator is moving.
- Do not install or store this appliance where it will be exposed to the weather.
- Do not tamper with controls.
- Do not repair or replace any part of the appliance or attempt any servicing unless specifically recommended in the user-maintenance instructions or in published user-repair instructions that you understand and have the skills to carry out.
- Do not use replacement parts that have not been recommended by the manufacturer (e.g. parts made at home using a 3D printer).
- See the Installation Instructions for grounding requirements and installation.

### SAVE THESE INSTRUCTIONS

#### WARNING

Certain internal parts are intentionally not grounded and may present a risk of electric shock only during servicing. Service Personnel – Do not contact the Door Lock, Drain Pump, or Water Heater while the appliance is energized.

# Dryer Safety

## Your safety and the safety of others is very important.

We have provided many important safety messages in this manual and on your appliance. Always read and obey all safety messages.



This is the safety alert symbol.

This symbol alerts you to potential hazards that can kill or hurt you and others.

All safety messages will follow the safety alert symbol and either the word "DANGER" or "WARNING." These words mean:

**⚠ DANGER**

You can be killed or seriously injured if you don't **immediately** follow instructions.

**⚠ WARNING**

You can be killed or seriously injured if you don't follow instructions.

All safety messages will tell you what the potential hazard is, tell you how to reduce the chance of injury, and tell you what can happen if the instructions are not followed.



## **WARNING** — "Risk of Fire"

- Clothes dryer installation must be performed by a qualified installer.
- Install the clothes dryer according to the manufacturer's instructions and local codes.
- To reduce the risk of severe injury or death, follow all installation instructions.
- Save these instructions.

**Certain internal parts are intentionally not grounded and may present a risk of electric shock only during servicing.**

**Service Personnel – Do not contact the Door Lock , Drain Pump, Compressor while the appliance is energized.**

## IMPORTANT SAFETY INSTRUCTIONS

**WARNING:** To reduce the risk of fire, electric shock, or injury to persons when using your appliance, follow basic precautions, including the following:

- Read all instructions before using the appliance.
- Do not dry articles that have been previously cleaned in, washed in, soaked in, or spotted with gasoline, dry-cleaning solvents, or other flammable or explosive substances, as they give off vapors that could ignite or explode.
- Risk of Suffocation and Injury from Entrapment: Do not allow children to play on or in the appliance. Close supervision of children is necessary when the appliance is used near children.
- Before the appliance is removed from service or discarded, remove the door to the drying compartment.
- Do not reach into the appliance if the drum is moving.
- Do not install or store this appliance where it will be exposed to the weather.
- Do not tamper with controls.
- Do not repair or replace any part of the appliance or attempt any servicing unless specifically recommended in the user-maintenance instructions or in published user-repair instructions that you understand and have the skills to carry out.
- Do not use heat to dry articles containing foam rubber or similarly textured rubber-like materials.
- Clean lint screen before or after each load.
- Do not place items exposed to cooking oils in your dryer. Items contaminated with cooking oils may contribute to a chemical reaction that could cause a load to catch fire. To reduce the risk of fire due to contaminated loads, the final part of a tumble dryer cycle occurs without heat (cool down period). Avoid stopping a tumble dryer before the end of the drying cycle unless all items are quickly removed and spread out so that the heat is dissipated.
- Do not use replacement parts that have not been recommended by the manufacturer (e.g. parts made at home using a 3D printer).
- See the Installation Instructions for grounding requirements and installation.

**SAVE THESE INSTRUCTIONS**

## IMPORTANT SAFETY INSTRUCTIONS

WHEN DISCARDING OR STORING YOUR OLD CLOTHES DRYER, REMOVE THE DOOR.

**SAVE THESE INSTRUCTIONS**

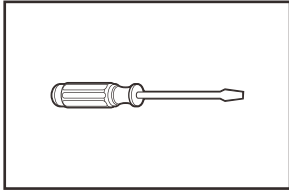
# INSTALLATION INSTRUCTIONS

## Installation Requirements

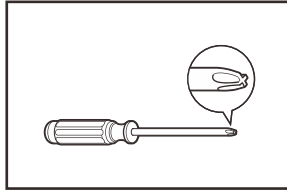
### Tools And Parts

Gather the required tools and parts before starting installation.

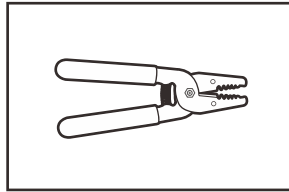
### Tools needed:



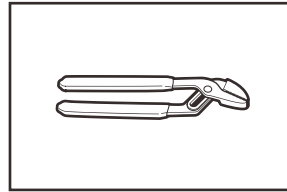
Flat-blade screwdriver



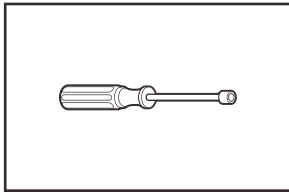
#2 Phillips screwdriver



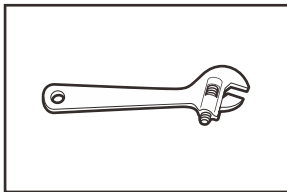
Wire stripper (direct wire installations)



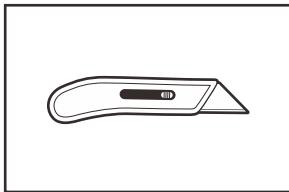
Channel locks



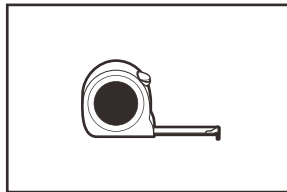
1/4" and 5/16" nut driver (recommended)



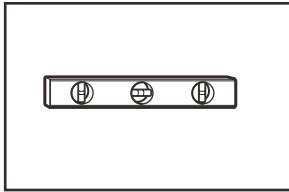
Adjustable wrench that opens to 1" (25 mm) or hex-head socket wrench



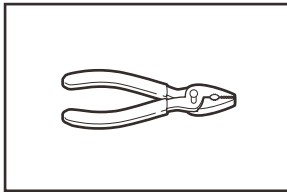
Utility knife



Tape measure

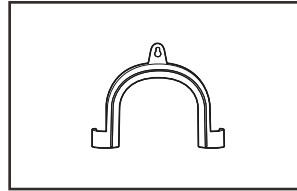


Level

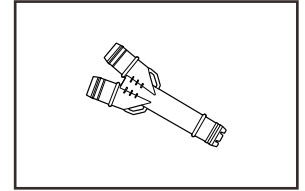


Pliers

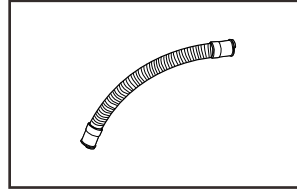
### Parts supplied:



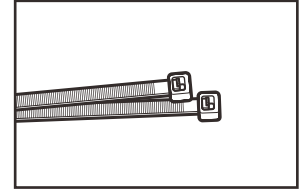
U-bend (for securing drain hose)



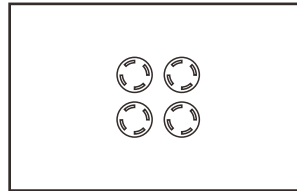
Y-Connector



Drain hose extension



Cable tie



Transportation bolt hole caps

Parts package is located in appliance drum. Check that all parts are included.

### If using a power supply cord:

Use a UL Listed power supply cord kit marked for use with clothes dryers. The kit should contain:

- A UL Listed 30 A power supply cord, rated 120/240 V minimum. The cord should be type SRD or SRDT and be at least 4 ft. (1.22 m) long. The wires that connect to the tower must end in ring terminals or spade terminals with upturned ends.
- A UL Listed strain relief.

# Location Requirements

**WARNING**

**Explosion Hazard**

**Keep flammable materials and vapors, such as gasoline, away from dryer.**

**Do not dry anything that has ever had anything flammable on it (ever after washing).**

**Do not install in a garage.**

**Failure to do so can result in death, explosion, or fire.**

**IMPORTANT:** Do not install, store, or operate appliance where it will be exposed to weather or in temperatures below 32°F (0°C). Water remaining in appliance after use may cause damage in low temperatures. See "Care and Maintenance" for winterizing information.

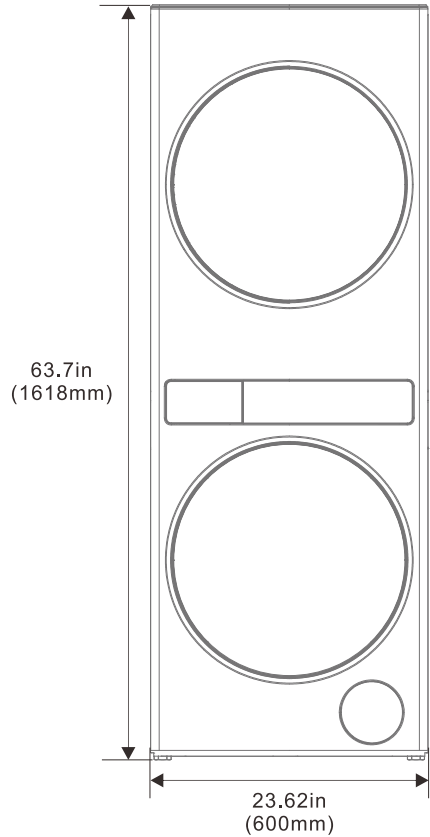
Select proper location for your appliance to improve performance and minimize noise and possible "appliance walk." Install your appliance in a basement, laundry room, closet or recessed area. Proper installation is your responsibility.

You will need:

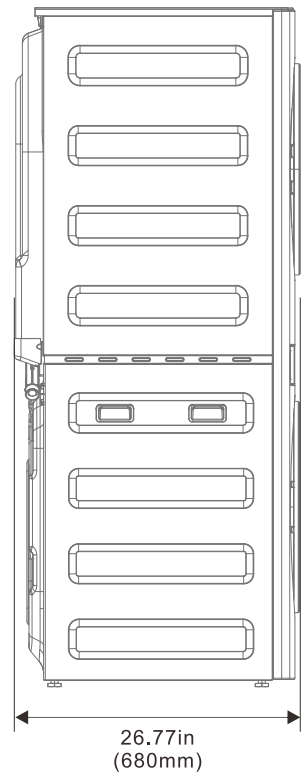
- A separate 30 A circuit.
- A water heater set to 120°F (49°C).
- If using a power supply cord, a grounded outlet located within 2 ft. (610mm) of either side of tower. See "Electrical Requirements."
- Hot and cold water faucets located within 4 feet (1.2 m) of hot and cold water fill valves on appliance, and water pressure of 20-100 psi (137.9-689.6 kPa).
- A level floor with maximum slope of 1" (25 mm) under entire appliance. Installing on carpet or surfaces with foam backing is not recommended.
- Floor must support washer's total weight (with water and load) of 409 pounds (186 kg).
- The Tower must not be installed or stored in an area where it will be exposed to water and / or weather.

All dimensions show minimum spacing allowed. For each arrangement, consider allowing more space for ease of installation and servicing, and spacing for companion appliances and clearances for walls, doors, and floor moldings. Space must be large enough to allow door to fully open. Add spacing of 1" (25 mm) on all sides of washer to reduce noise transfer. Doors must be louvered or equivalent and have at least 24 in 2 (155 cm<sup>2</sup>) bottom and 48 in 2 (310 cm<sup>2</sup>) top open area.

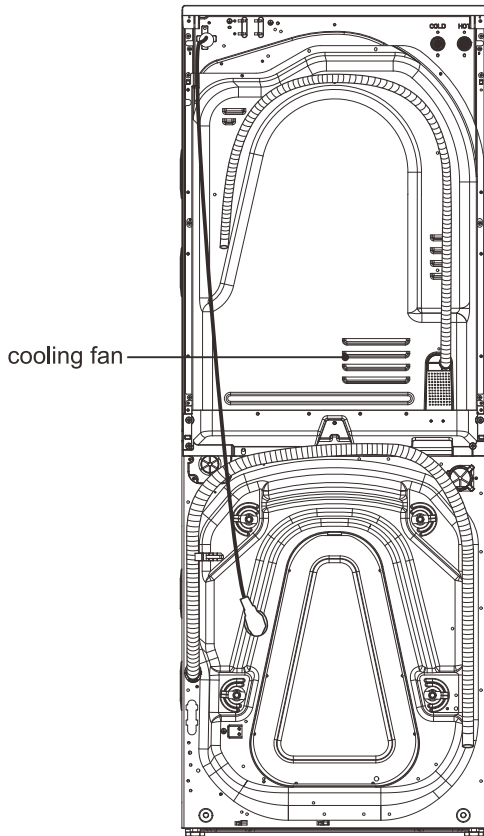
# Tower Dimensions



**Side view:**



## Back view:



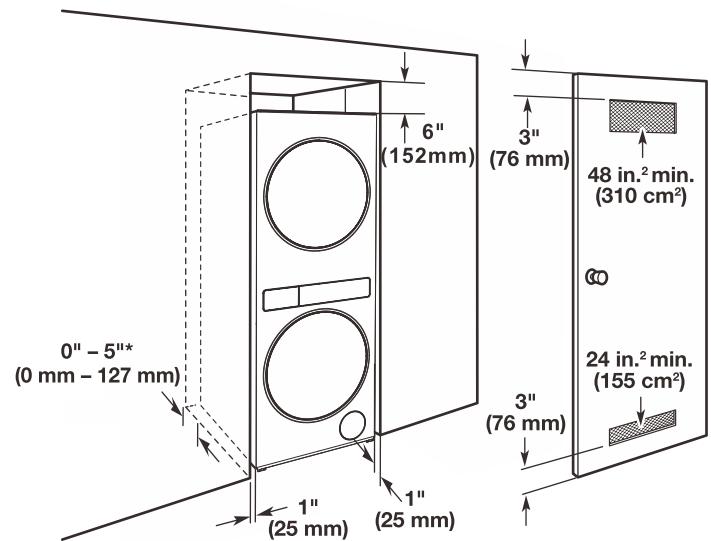
**IMPORTANT:** Do not block cooling fan, as your appliance may not operate properly.

## Installation spacing for recessed area or closet installation:

All dimensions show recommended and minimum spacing allowed.

- Additional spacing should be considered for ease of installation and servicing.
- Additional clearances might be required for wall, door, floor, moldings, and drain system.
- Additional spacing should be considered on all sides of the appliance to reduce noise transfer.
- For closet installation, with a door, minimum ventilation openings in the top and bottom of the door are required. Louvered doors with equivalent ventilation openings are acceptable.
- Companion appliance spacing should also be considered.

## Recommended installation clearances (appliance only):



## Mobile home – Additional installation requirements:

This tower is suitable for mobile home installations. The installation must conform to the Manufactured Home Construction and Safety Standard, Title 24 CFR, Part 3280 (formerly the Federal Standard for Mobile home construction and Safety, Title 24, HUD Part 280) or Standard CAN/CSA-Z240 MH.

# Installation

## 1. Unpacking

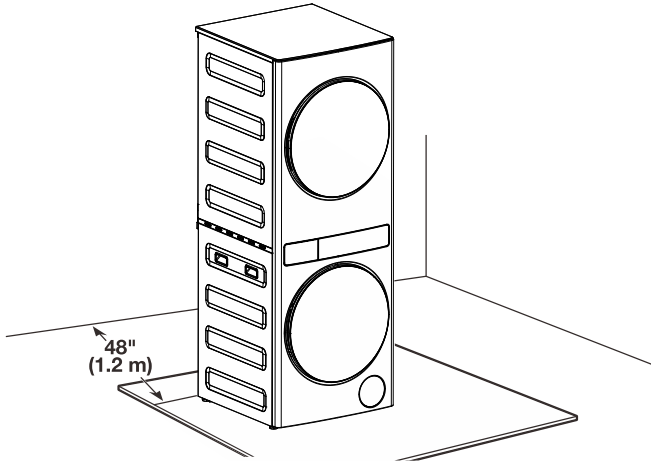
### **WARNING**

#### Excessive Weight Hazard

Use two or more people to move and install or uninstall appliance.

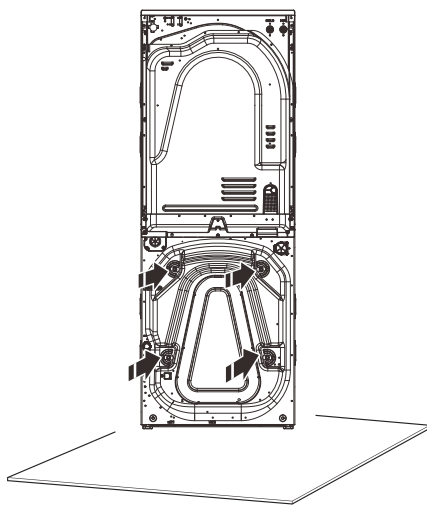
Failure to do so can result in back or other injury.

## 2. Move Appliance



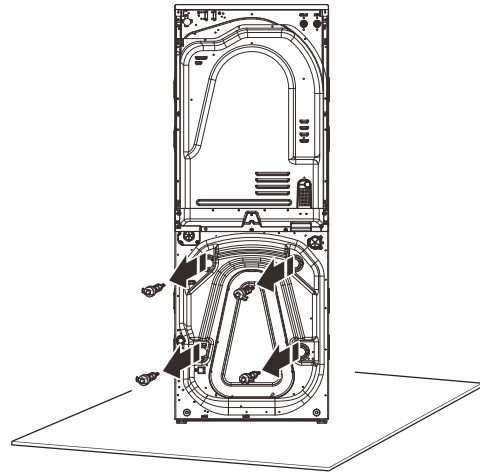
It is necessary to remove all the shipping materials, including removing the underneath styrofoam washer support piece, for proper operation and to avoid excessive noise from the appliance. Move the appliance to within 4 feet (1.2 m) of its final location using a wide appliance dolly, not a narrow handcart, to avoid damaging the washer drain pump just inside the open bottom. It must be in a fully upright position.

## 3. Locate transport bolts



Locate four transport bolts on rear of appliance.

## 4. Remove transportbolts from appliance



Loosen bolts with a 15/32" (12 mm) wrench. Slide each bolt and spacer to center of hole. Pull bolts and plastic spacers from back of appliance. Discard bolts and spacers.

**IMPORTANT:** Do not plug appliance in until installation has been completed.

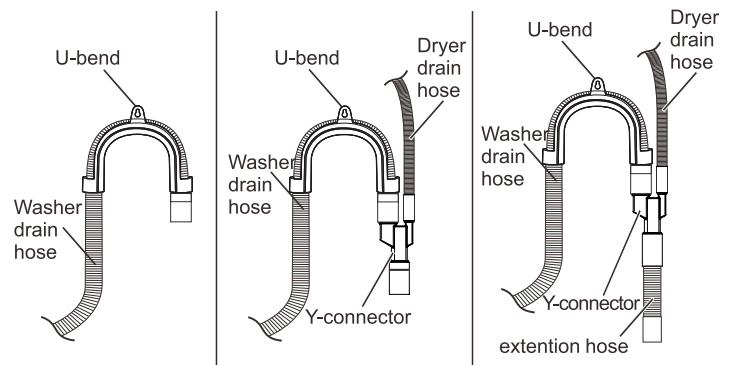
## Connect Drain Hose

Drain system can be installed using a floor drain, wall standpipe, floor standpipe, or laundry tub. Select method you need.

**IMPORTANT:** To avoid siphoning, only 4.5" (114 mm) of drain hose should be inside standpipe. Always secure drain hose with cable tie.

It is the responsibility of the installer to install and secure the drain hose into the provided plumbing/drain in a manner that will avoid the drain hose coming out of or leaking from the plumbing/drain.

## 5. Install U-bend and Y-Connector and extension hose to Washer and Dryer hose

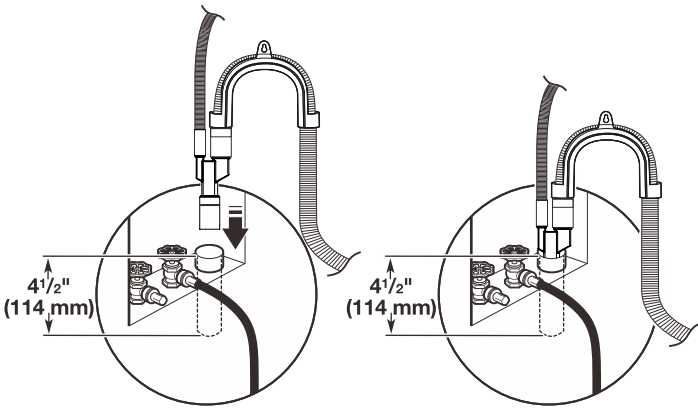


Install U-bend to Washer drain hose

Install Y-connector to Washer and Dryer drain hose

Install extension hose to Y-connector only if drain pipe is too small to fit Y-connector

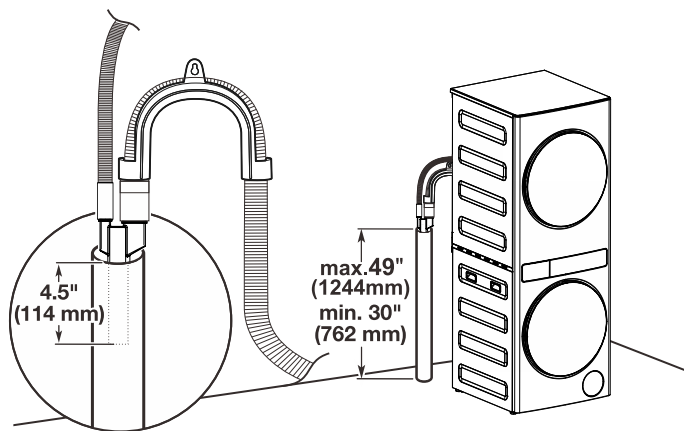
## 6. Wall standpipe drain system



Place hose into standpipe (shown in picture) . The U-Bend must be used. Do not use the small extension hose for this set-up unless drain is smaller than 2" (51mm).

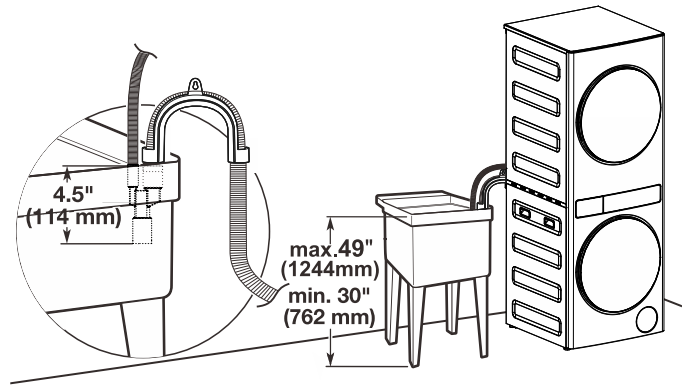
**IMPORTANT:** 4.5" (114 mm) of drain hose should be inside standpipe; do not force excess hose into standpipe.

## 7. Floor standpipe drain system



Do not use the small extension hose for this set-up. Minimum diameter for a standpipe drain: 2" (51 mm). Minimum carry-away capacity: 17 gal. (64 L) per minute. A 1/4" (6 mm) diameter to 1" (25 mm) diameter Standpipe Adapter Kit is available. Top of standpipe must be at least 30" (762 mm) high; install no higher than 49" (1.244 m) from bottom of appliance.  
**IMPORTANT:** Only 4.5" (114 mm) of drain hose should be inside standpipe; do not force excess hose into standpipe.

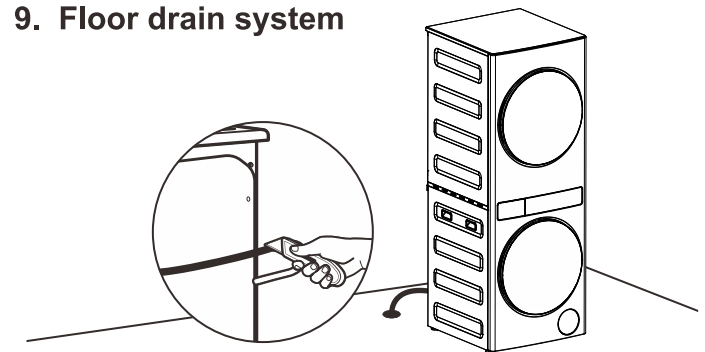
## 8. Laundry tub drain system



Place hose over side of laundry tub. The U-Bend must be used. Do not use the small extension hose for this set-up. Minimum capacity: 20 gal. (76 L). Top of laundry tub must be at least 30" (762 mm) above floor; install no higher than 49" (1.244 m) from bottom of appliance.

**IMPORTANT:** Only 4.5" (114 mm) of drain hose should lay on side of laundry tub. Do not lay the hose at the bottom of tub.

## 9. Floor drain system



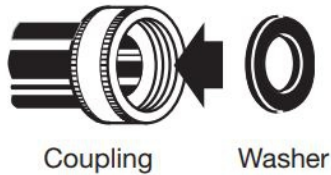
Remove the U-bend at the end of the drain hose by cutting the hose at the end of the U-bend for the floor drain system as shown in the picture above.

**NOTE:** Cut hose so that no more than 4.5" (114 mm) of the hose is in the floor drain to avoid siphoning.

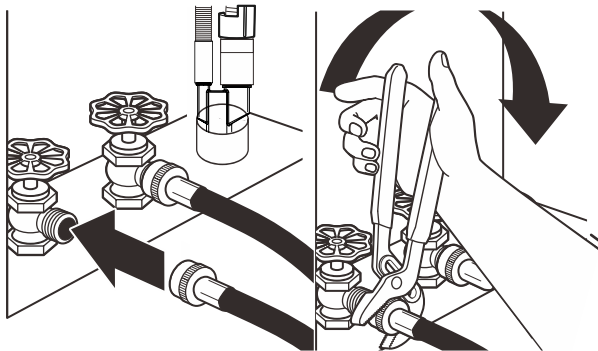
## Connect Inlet Hoses

**IMPORTANT:** To avoid leaks, check that your water inlet hoses have flat washers at both ends. Washer must be connected to water faucets with new inlet hoses with flat washers (not provided). Do not use old hoses. Do not use hoses without washers.

### 10. Insert new flat washers



### 11. Connect inlet hoses to water faucets



**IMPORTANT:** Do not overtighten or use tape or sealants on valve when attaching to faucets or washer. Damage can result.

Attach the hose labeled hot to hot water faucet. Screw on coupling by hand until it is seated on washer. Use adjustable pliers to tighten couplings an additional two-thirds turn. Repeat this step with the hose labeled cold for the cold water faucet. Both hoses must be connected for washer to work properly.

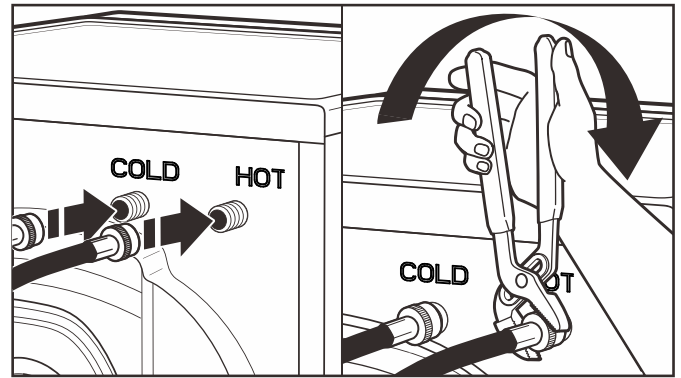
**HELPFULTIP:** Make note of which hose is connected to hot water to help in attaching hoses to washer correctly. In most standard configurations, hoses will cross over each other when attached correctly.

### 12. Clear water lines



Run water for a few seconds through hoses into a laundry tub, drainpipe, or bucket to avoid clogs. Water should run until clear.

## 13. Connect inlet hoses to appliance

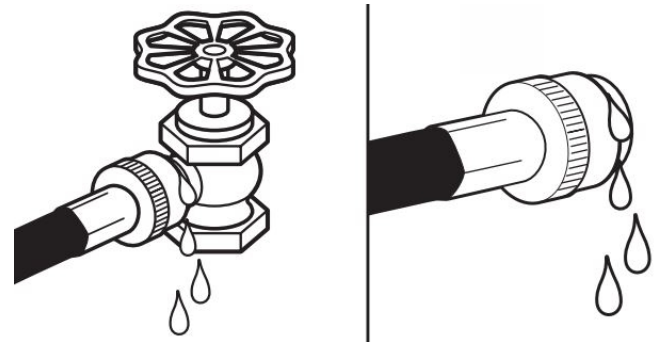


**IMPORTANT:** To reduce risk of hose failure, replace the hoses every 5 years. Record hose installation or replacement dates for future reference.

- Do not overtighten hose or use tape or sealants on the valve. Damage to the valves can result.
- Periodically inspect and replace hoses if bulges, kinks, cuts, wear, or leaks are found.

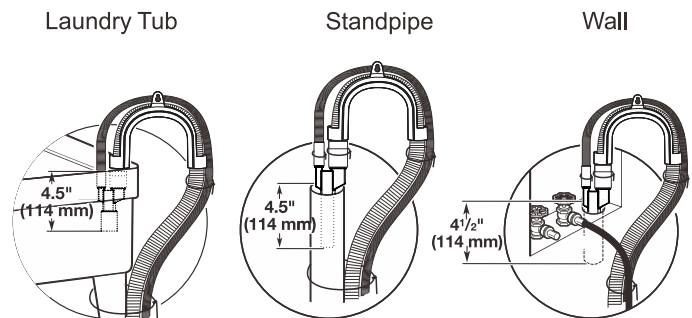
Attach hot water hose to hot water inlet valve. Screw coupling by hand until it is snug. Use adjustable pliers to tighten couplings an additional two-thirds turn. Repeat with cold water inlet valve.

### 14. Check for leaks



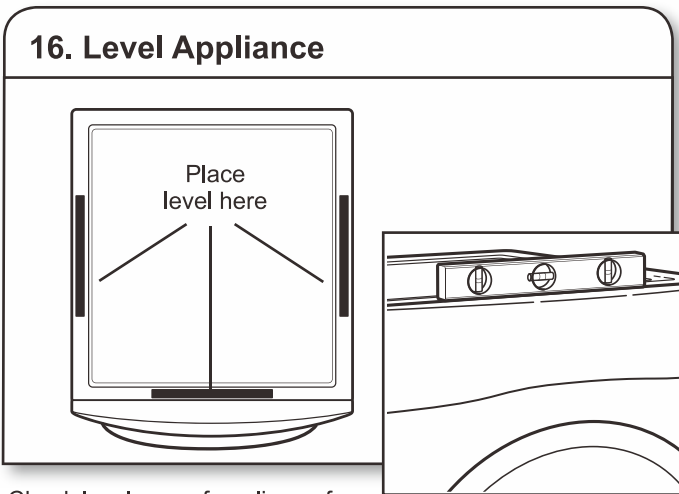
Slowly turn on water faucets to check for leaks. A small amount of water may enter washer. It will drain later.

### 15. Secure drain hose



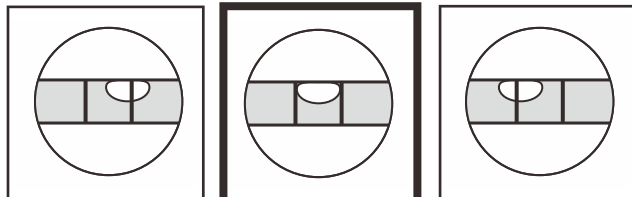
Secure drain hose to laundry tub leg, drain standpipe, or inlet hoses for wall standpipe with cable tie or beaded tie strap. It is the responsibility of the installer to install and secure the drain hose in to the provided plumbing/drain in a manner that will avoid the drain hose coming out of or leaking from the plumbing/drain.

## Level tower



Check levelness of appliance from side to side. Repeat from front to back.

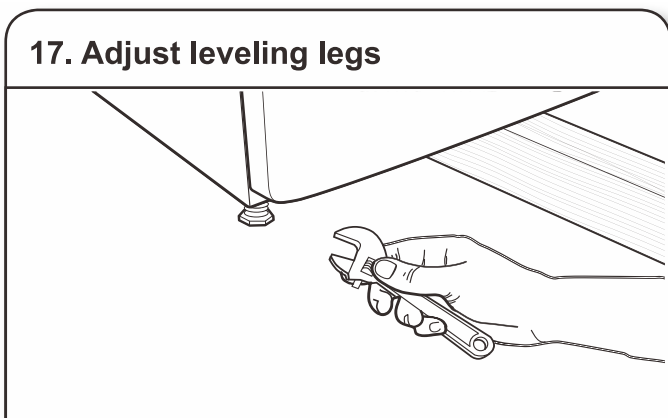
**NOTE:** The appliance must be level for the moisture-sensing system to operate correctly. If forward slope of appliance is greater than 1" (25 mm), water could run out from front of filter.



Not Level

Level

Not Level



## 17. Adjust leveling legs

If appliance is not level, prop up using a wood block, use a wrench to adjust legs up or down, and check again for levelness. Once appliance is level, make sure all four legs are snug against the floor and appliance does not rock.

## Electrical Requirements –U.S.A. Only

### It is your responsibility:

- To contact a qualified electrical installer.
- To be sure that the electrical connection is adequate and in conformance with the National Electrical Code, ANSI/NFPA 70 – latest edition and all local codes and ordinances. The National Electrical Code requires a 4-wire power supply connection for homes built after 1996, tower circuits involved in remodeling after 1996, and all mobile home installations. A copy of the above code standards can be obtained from: National Fire Protection Association, One Battery March Park, Quincy, MA 02269.
- To supply the required 3- or 4-wire, single-phase, 120/240 V, 60 Hz, AC-only electrical supply (or 3- or 4-wire, 120/208 V electrical supply, if specified on the serial/rating plate) on a separate 30 A circuit, fused on both sides of the line. Connect to an individual branch circuit. Do not have a fuse in the neutral or grounding circuit.
- Do not use an extension cord.
- If codes permit and a separate ground wire is used, it is recommended that a qualified electrician determine that the ground path is adequate.

### Electrical Connection

To properly install your appliance, you must determine the type of electrical connection you will be using and follow the instructions provided for it here.

- This appliance is manufactured ready to install with a 3-wire electrical supply connection. The neutral ground conductor is permanently connected to the neutral conductor (white wire) within the appliance. If the appliance is installed with a 4-wire electrical supply connection, the neutral ground conductor must be removed from the external ground connector (green screw), and secured under the neutral terminal (center or white wire) of the terminal block. When the neutral ground conductor is secured under the neutral terminal (center or white wire) of the terminal block, the appliance cabinet is isolated from the neutral conductor. The green ground wire of the 4-wire power cord must be secured to the appliance cabinet with the green ground screw.
- If local codes do not permit the connection of a neutral ground wire to the neutral wire, see the "Optional External Ground for 3-Wire Connection" section.
- A 4-wire power supply connection must be used when the appliance is installed in a location where grounding through the neutral conductor is prohibited. Grounding through the neutral is prohibited for (1) new branch-circuit installations after 1996, (2) mobile homes, (3) recreational vehicles, and (4) areas where local codes prohibit grounding through the neutral conductors.

### If using a power supply cord:

Use a UL Listed power supply cord kit marked for use with clothes dryers. The kit should contain:

- A UL Listed 30 A power supply cord, rated 120/240 V minimum. The cord should be type SRD or SRDT and be at least 4 ft. (1.22 m) long. The wires that connect to the appliance must end in ring terminals or spade terminals with upturned ends.
- A UL Listed strain relief.

### If your outlet looks like this:



4-wire receptacle  
(14-30R)

Then choose a 4-wire power supply cord with ring or spade terminals and UL Listed strain relief. The 4-wire power supply cord, at least 4 ft. (1.22 m) long, must have four 10-gauge copper wires and match a 4-wire receptacle of NEMA Type 14-30R. The ground wire (ground conductor) may be either green or bare. The neutral conductor must be identified by a white cover.



3-wire receptacle  
(10-30R)

Then choose a 3-wire power supply cord with ring or spade terminals and UL Listed strain relief. The 3-wire power supply cord, at least 4 ft. (1.22 m) long, must have three 10-gauge copper wires and match a 3-wire receptacle of NEMA Type 10-30R.

### If connecting by direct wire:

Power supply cable must match power supply (4-wire or 3-wire) and be:

- Flexible armored cable or nonmetallic sheathed copper cable (with ground wire), covered with flexible metallic conduit. All current-carrying wires must be insulated.
- 10-gauge solid copper wire (do not use aluminum) at least 5 ft. (1.52 m) long.

#### GROUNDING INSTRUCTIONS

##### ■ For a grounded, cord-connected appliance:

This appliance must be grounded. In the event of malfunction or breakdown, grounding will reduce the risk of electric shock by providing a path of least resistance for electric current.

This appliance uses a cord having an equipment-grounding conductor and a grounding plug. The plug must be plugged into an appropriate outlet that is properly installed and grounded in accordance with all local codes and ordinances.

##### ■ For a permanently connected appliance:

This appliance must be connected to a grounded metal permanent wiring system, or an equipment-grounding conductor must be run with the circuit conductors and connected to the equipment-grounding terminal or lead on the appliance.

**WARNING:** Improper connection of the equipment-grounding conductor can result in a risk of electric shock. Check with a qualified electrician or service representative or personnel if you are in doubt as to whether the appliance is properly grounded. Do not modify the plug on the power supply cord: if it will not fit the outlet, have a proper outlet installed by a qualified electrician.

**SAVE THESE INSTRUCTIONS**

## Electrical Requirements – Canada Only

### ⚠ WARNING



#### Electrical Shock Hazard

**Plug into a grounded 4 prong outlet.  
Failure to do so can result in death or electrical shock.**

### It is your responsibility:

- To contact a qualified electrical installer.
- To be sure that the electrical connection is adequate and in conformance with the Canadian Electrical Code, C22.1-latest edition, and all local codes. A copy of the above codes standard may be obtained from: Canadian Standards Association, 178 Rexdale Blvd., Toronto, ON M9W 1R3 CANADA.
- To supply the required 4-wire, single-phase, 120/240 V, 60 Hz., AC-only electrical supply on a separate 30 amp circuit, fused on both sides of the line. A time-delay fuse or circuit breaker is recommended. Connect to an individual branch circuit.
- This appliance is equipped with a CSA International Certified Power Cord intended to be plugged into a standard 14-30R wall receptacle. The cord is 5 ft. (1.52 m) in length. Be sure wall receptacle is within reach of dryer's final location.



4-wire receptacle (14-30R)

- Do not use an extension cord. If using a replacement power supply cord, it is recommended that you use Power Supply Cord Replacement Part Number 8579325. For further information, please reference the "Assistance or Service" section of the Use and Care Guide.

#### GROUNDING INSTRUCTIONS

- For a grounded, cord-connected appliance: This appliance must be grounded. In the event of malfunction or breakdown, grounding will reduce the risk of electric shock by providing a path of least resistance for electric current. This appliance is equipped with a cord having an equipment-grounding conductor and a grounding plug. The plug must be plugged into an appropriate outlet that is properly installed and grounded in accordance with all local codes and ordinances.

**WARNING:** Improper connection of the equipment-grounding conductor can result in a risk of electric shock. Check with a qualified electrician or service representative or personnel if you are in doubt as to whether the appliance is properly grounded. Do not modify the plug provided with the appliance: if it will not fit the outlet, have a proper outlet installed by a qualified electrician.

**SAVE THESE INSTRUCTIONS**

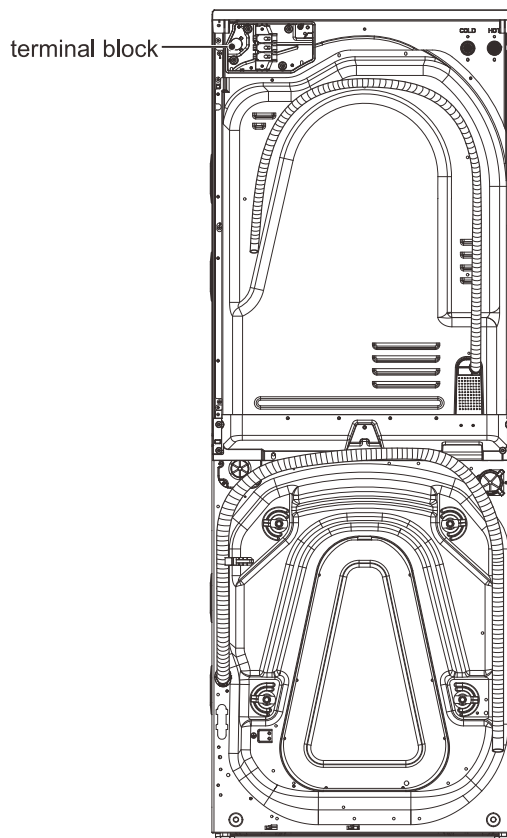
# Electrical Installation – U.S.A. Only

## ⚠ WARNING



### Fire Hazard

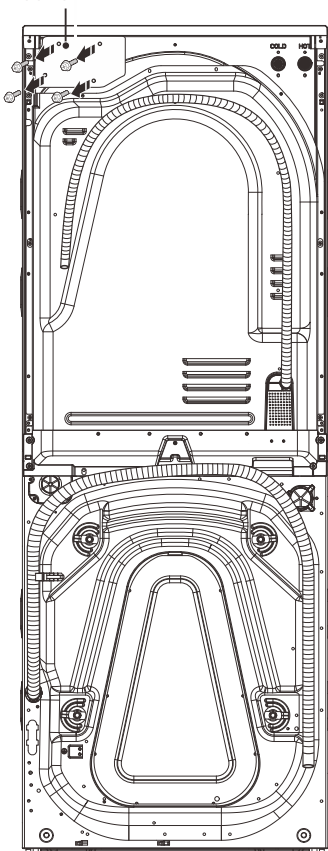
Use a new UL listed 30 amp power supply cord.  
 For direct wire, use 10 gauge copper wire.  
 Use a UL listed strain relief.  
 Disconnect power before making electrical connections.  
 Connect neutral wire (white or center wire) to center terminal. For direct wire, use 10 gauge copper wire.  
 Ground wire (green or bare wire) must be connected to green ground connector.  
 Connect remaining 2 supply wires to remaining 2 terminals (gold).  
 Securely tighten all electrical connections.  
 Failure to do so can result in death, fire, or electrical shock.



### 1. Disconnect power

### 2. Remove terminal block cover

terminal block cover



Remove screw and terminal block cover.

### 3. Choose electrical connection type



**Power supply cord 4-wire receptacle (NEMA Type 14-30R):** Refer to “4-Wire Power Supply Connection”.



**Power supply cord 3-wire receptacle (NEMA Type 10-30R):** Refer to “3-Wire Power Supply Connection”.



**4-wire direct connection:** Go to “Direct Wire Strain Relief,” then “4-Wire Direct Wire Connection”.



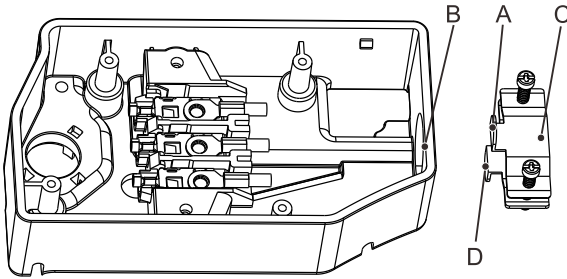
**3-wire direct connection:** Go to “Direct Wire Strain Relief,” then “3-Wire Direct Wire Connection”.

**NOTE:** If local codes do not permit connection of a cabinet-ground conductor to neutral wire, go to “Optional 3-wire Connection.” This connection may be used with either a power supply cord or a direct wire connection.

## Power Supply Cord Connection

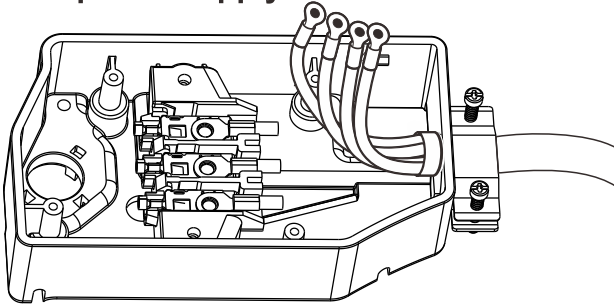
### Power Supply Cord Strain Relief

#### 1. Attach power supply cord strain relief



Remove the screws from a 3/4" (19 mm) UL-listed strain relief (UL marking on strain relief). Put the tabs of the two clamp sections (C) into the hole below the terminal block opening (B) so that one tab is pointing up (A) and the other is pointing down (D), and hold in place. Tighten strain relief screws just enough to hold the two clamp sections (C) together.

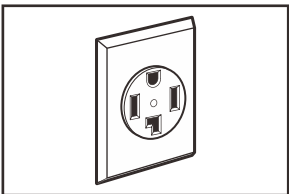
#### 2. Attach power supply cord to strain relief



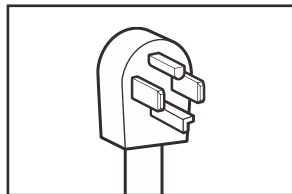
Put power supply cord through the strain relief. Be sure that the wire insulation on the power supply cord is inside the strain relief. The strain relief should have a tight fit with the dryer cabinet and be in a horizontal position. Tighten the strain relief against the power supply cord. Do not overtighten the strain relief screws.

### 4-Wire Power Supply Cord Connection

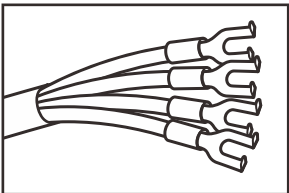
**IMPORTANT:** A 4-wire connection is required for mobile homes and where local codes do not permit the use of 3-wire connections.



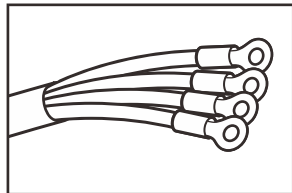
4-wire receptacle  
(NEMA type 14-30R)



4 prong plug

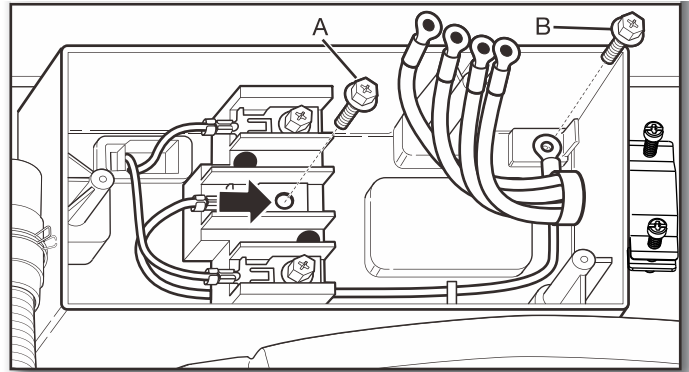


Spade terminals with  
upturned ends



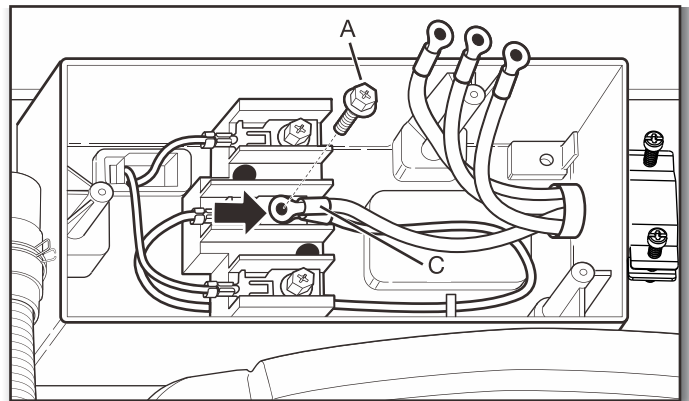
Ring terminals

#### 3. Prepare to connect neutral wire



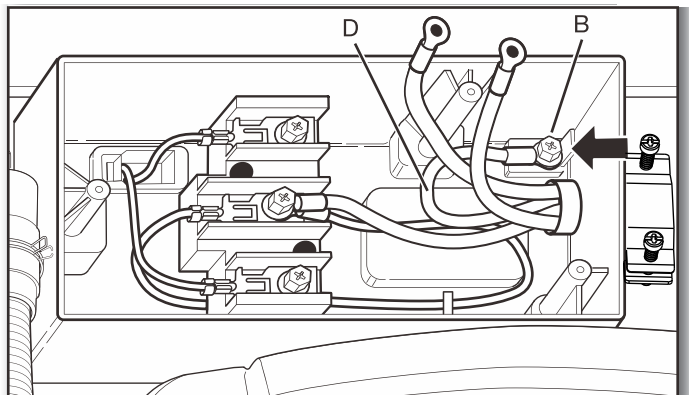
Remove center terminal block screw (A) and green external ground conductor screw (B).

#### 4. Connect neutral wire



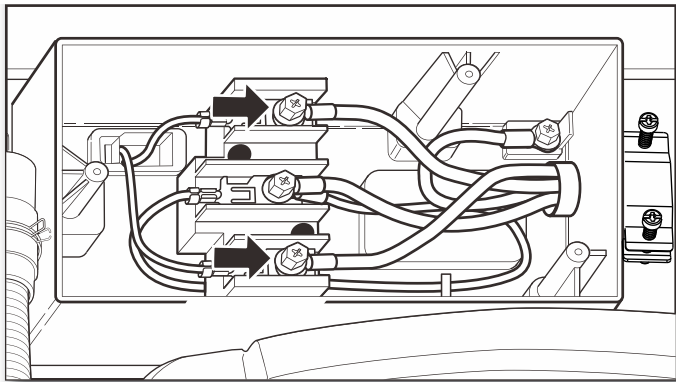
Loop white ground jumper wire back on itself and connect it and neutral wire (white or center) (C) of power supply cord under center terminal block screw (A). Tighten screw.

#### 5. Connect ground wire



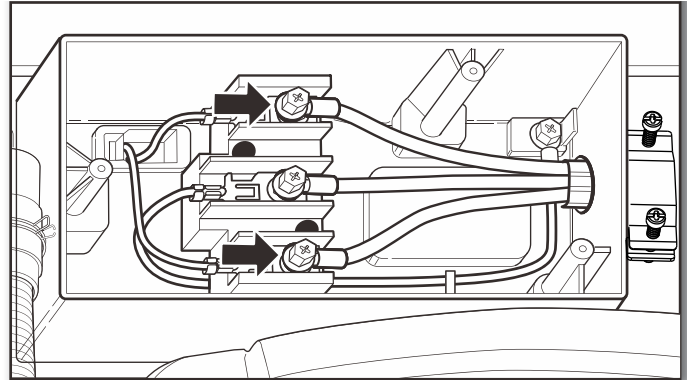
Connect ground wire (D) (green or bare) of power supply cord under green external ground conductor screw (B). Tighten screw.

## 6. Connect remaining wires



Connect remaining wires under outer terminal block screws. Tighten screws and also tighten strain relief screws. Finally, install terminal box cover and secure with the three screws. Now, go to "Route Drain Hose."

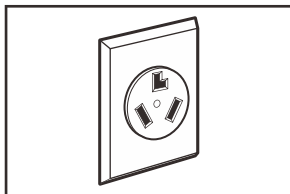
## 4. Connect remaining wires



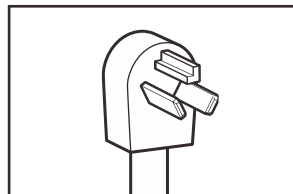
Connect remaining wires under outer terminal block screws. Tighten screws and also tighten strain relief screws. Finally, install terminal block cover and secure with the three screws. Now, go to "Route Drain Hose."

## 3-Wire Power Supply Connection

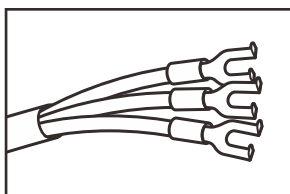
**IMPORTANT:** Use where local codes permit connecting cabinet-ground conductor to neutral wire.



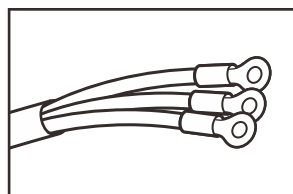
3-wire receptacle  
(NEMA type 10-30R)



3 prong plug

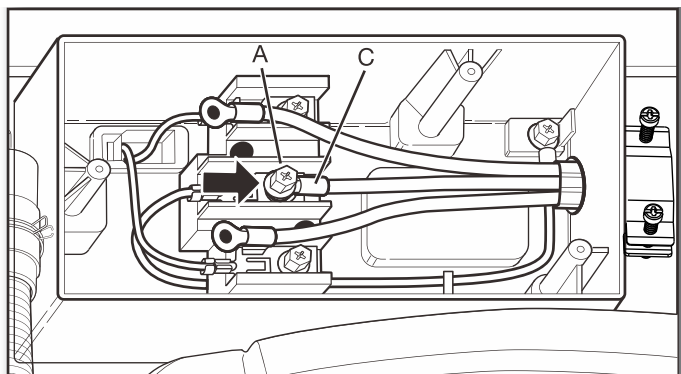


Spade terminals with  
upturned ends



Ring terminals

## 3. Connect neutral wire

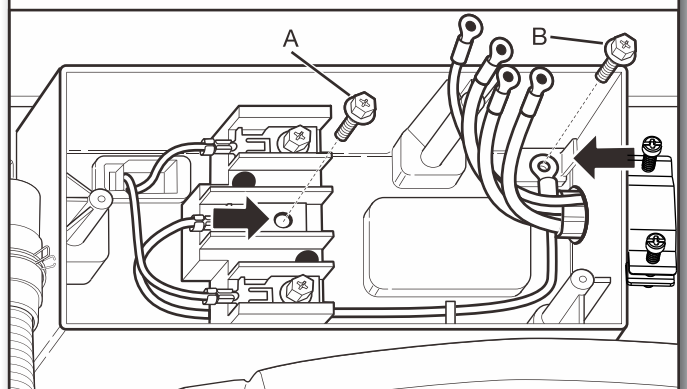


Connect neutral (center) wire (C) of power supply cord under center terminal block screw (A). Tighten screw.

## Optional External Ground for 3-Wire Connection

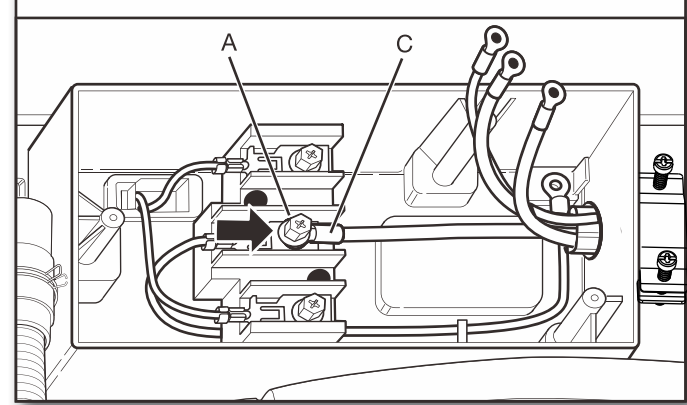
**IMPORTANT:** You must verify with a qualified electrician that this grounding method is acceptable before connecting.

### 1. Prepare to connect neutral wire



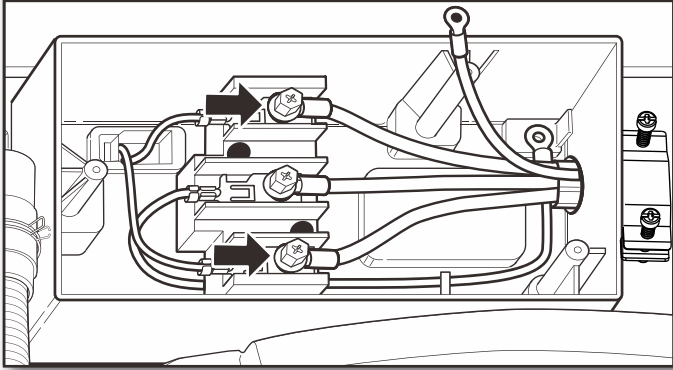
Remove center terminal block screw (A) and green external ground conductor screw (B).

### 2. Connect neutral wire



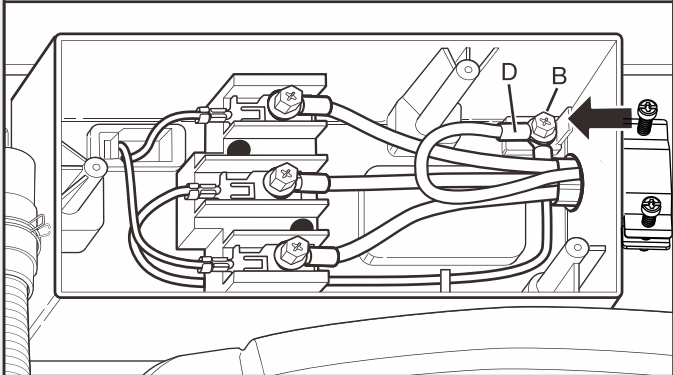
Connect neutral wire (white or center) (C) of power supply cord or cable under center terminal block screw (A). Tighten screw.

### 3. Connect remaining wires



Place ends of remaining wires under outer terminal block screws. Tighten screws and tighten strain relief.

### 4. Connect external ground wire

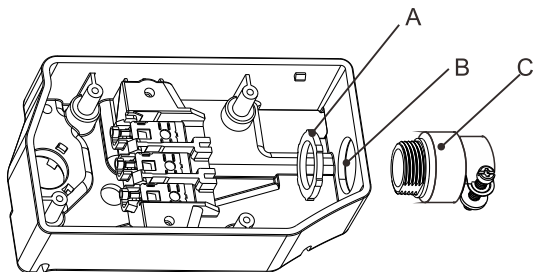


Connect a separate copper ground wire (D) under the green external ground conductor screw (B) to an adequate ground. Finally, install terminal block cover and secure with the three screws. Now, go to "Route Drain Hose."

## Direct Wire Connection

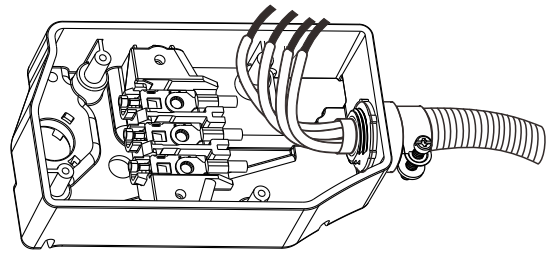
### Direct Wire Strain Relief

#### 1. Attach direct wire strain relief



Use the removable conduit connector (A) and any screws from a 3/4" (19 mm) UL-listed strain relief (UL marking on strain relief). Put the threaded section of the strain relief through the hole below the terminal block opening (B). Reaching inside the terminal block opening, screw the removable conduit connector (A) onto the strain relief threads (C) and tighten securely.

#### 2. Attach direct wire cable to strain relief



Put direct wire cable through the strain relief. The strain relief should have a tight fit with the dryer cabinet and be in a horizontal position. Tighten strain relief screw against the direct wire cable.

For 4-wire Direct Wire Connection, continue to step 3.



4-wire direct wire connection: Go to "4-Wire Direct Wire Connection."

For 3-wire Direct Wire Connection, continue to step 3.

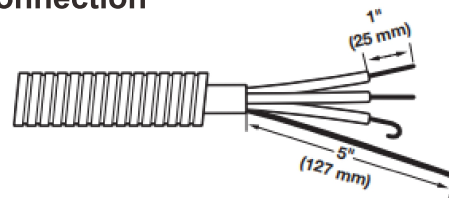


3-wire direct wire connection: Go to "3-Wire Direct Wire Connection."

#### 4-Wire Direct Wire Connection

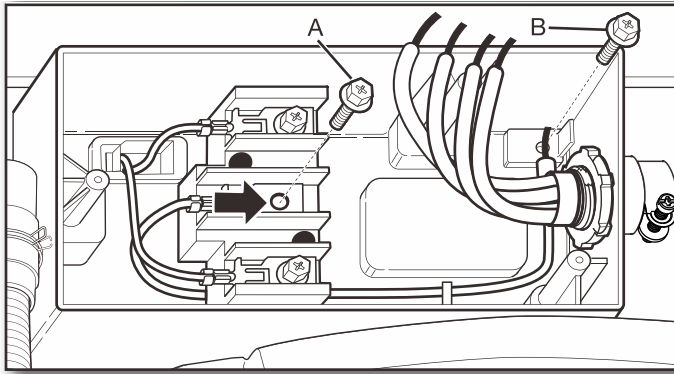
**IMPORTANT:** A 4-wire connection is required for mobile homes and where local codes do not permit 3-wire connections.

#### 3. Prepare your 4-wire cable for direct connection



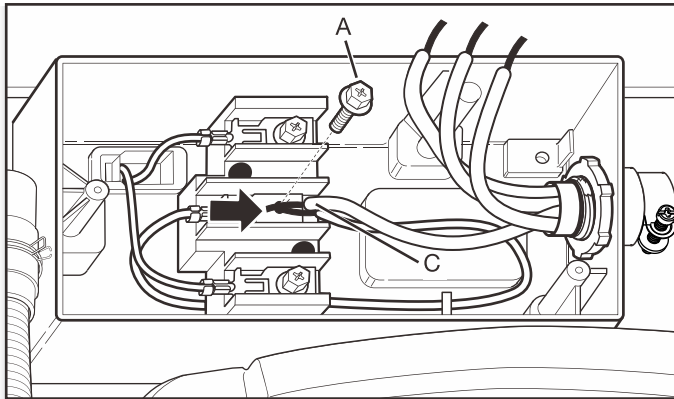
Direct wire cable must have 5 ft (1.52 m) of extra length so dryer may be moved if needed. Strip 5" (127 mm) of outer covering from end of cable, leaving bare ground wire at 5" (127 mm). Cut 1 1/2" (38 mm) from remaining 3 wires. Strip insulation back 1" (25 mm). Shape ends of wires into hooks.

#### 4. Prepare to connect neutral wire



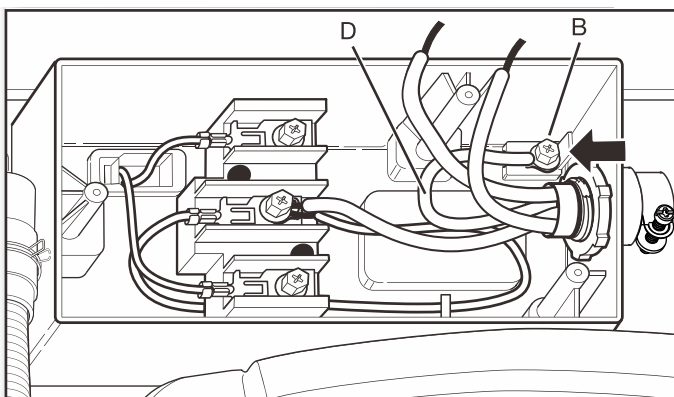
Remove center terminal block screw (A) and green external ground conductor screw (B).

#### 5. Connect neutral wire



Loop white ground jumper wire back on itself and connect it and neutral wire (white or center) (C) of direct wire under center terminal block screw (A). Tighten screw.

#### 6. Connect ground wire

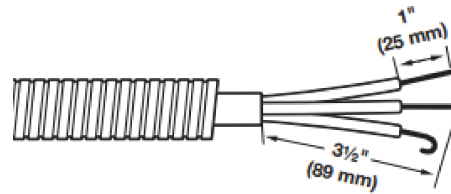


Connect ground wire (D) (green or bare) of direct wire under green external ground conductor screw (B). Tighten screw.

#### 3-Wire Direct Wire Connection

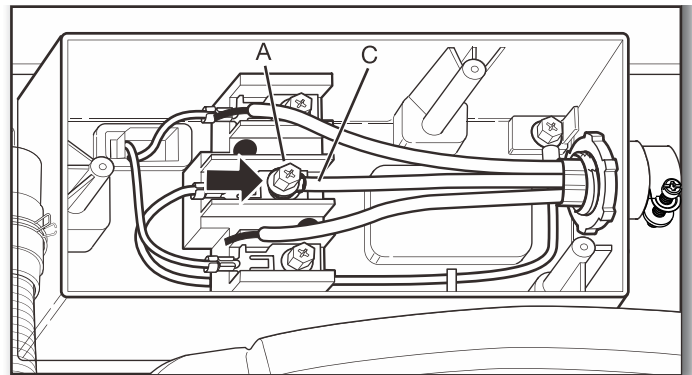
**IMPORTANT:** Use where local codes permit connecting cabinet-ground conductor to neutral wire.

#### 3. Prepare your 3-wire cable for direct connection



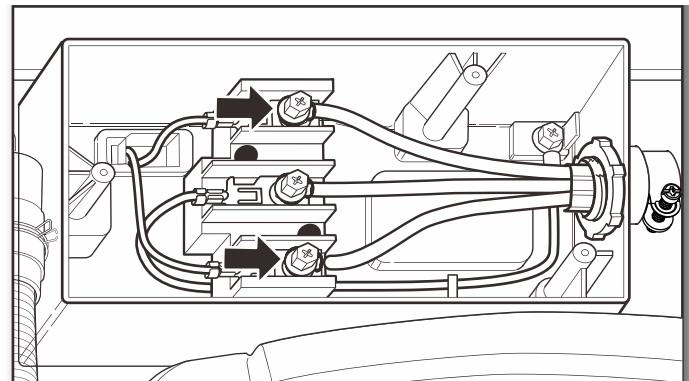
Direct wire cable must have 5 ft (1.52 m) of extra length so dryer may be moved if needed. Strip 5" (127 mm) of outer covering from end of cable, leaving bare ground wire at 5" (127 mm). Cut 1 1/2" (38 mm) from remaining 3 wires. Strip insulation back 1" (25 mm). Shape ends of wires into hooks.

#### 4. Connect neutral wire



Connect neutral (center) wire (C) of direct wire under center terminal block screw (A). Tighten screw.

#### 5. Connect remaining wires



Connect remaining wires under outer terminal block screws. Tighten screws and also tighten strain relief screws. Finally, install terminal block cover and secure with the three screws. Now, go to "Route Drain Hose."

# Complete Installation Checklist

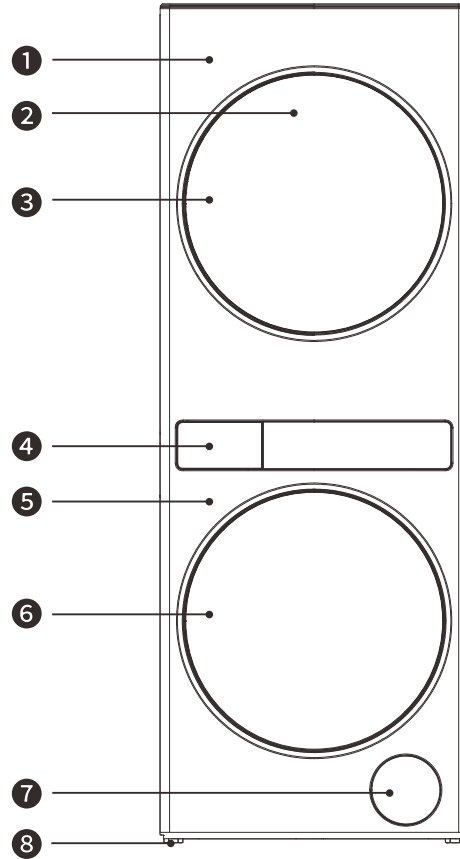
- ❑ Check electrical requirements. Be sure you have correct electrical supply and recommended grounding method.
- ❑ Check that all parts are now installed. If there is an extra part, go back through steps to see what was skipped.
- ❑ Check that you have all of your tools.
- ❑ Check that shipping materials were completely removed from appliance.
- ❑ Check that the appliance is level.
- ❑ Check that water faucets are on.
- ❑ Check for leaks around faucets and inlet hoses.
- ❑ Remove protective film from console and any tape remaining on appliance.
- ❑ For power supply cord installation, plug into a grounded outlet. For direct wire installation, turn on power.
- ❑ Dispose of/recycle all packaging materials.
- ❑ Read the “Care and Maintenance” section.
- ❑ To test and clean your appliance, press Power and choose the Quick cycle and run it without clothes. Use only HE detergent. Use 1/2 the manufacturer’s recommended amount for a medium-size load.

# PRODUCT OVERVIEW

## Product Features

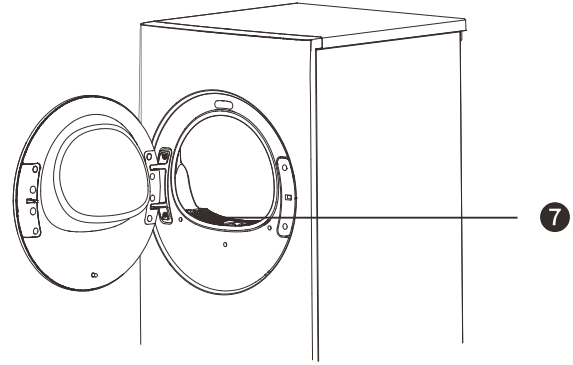
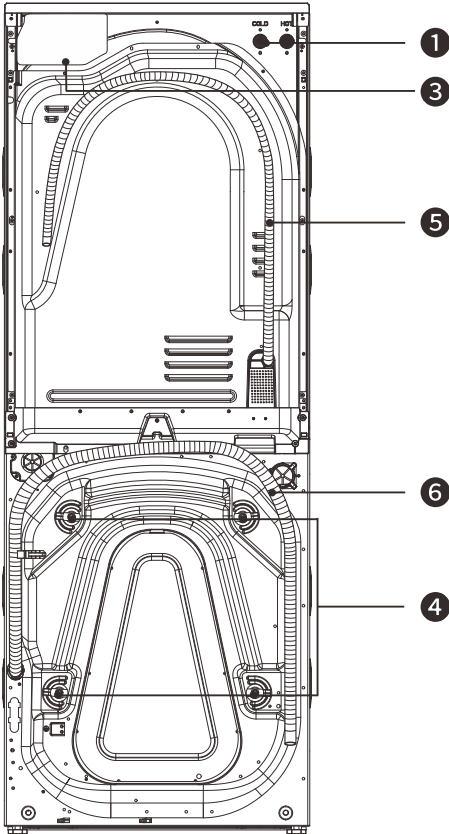
The images in this guide may be different from the actual components and accessories, which are subject to change by the manufacturer without prior notice for product improvement purposes.

### Front view:



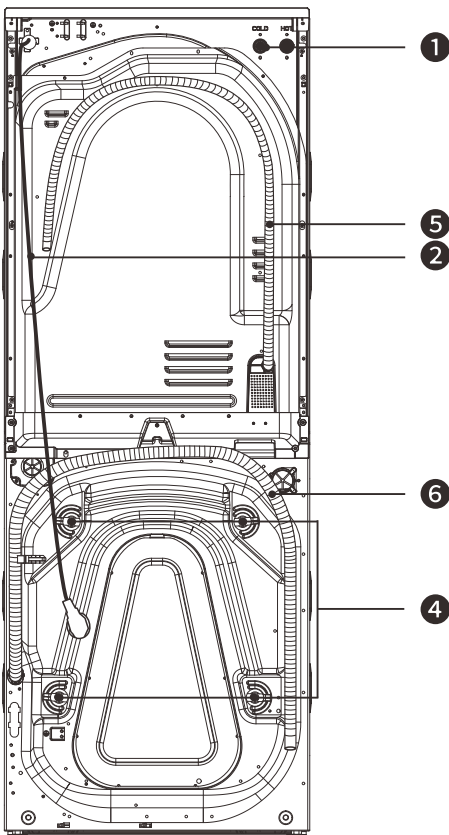
- ❶ Dryer                      ❷ Control panel                      ❸ Dryer door
- ❹ Detergent dispenser drawer    ❺ Washer                      ❻ Washer door
- ❼ Pump Filter Door    ❽ Adjustable feet (4)

**Back view:**



- 1 Water inlet valve
- 2 Power cord
- 3 US Terminal Block
- 4 Transportation fixed bolts (4)
- 5 Dryer drain hose
- 6 Washer drain hose
- 7 lint filter

For Terminal Block Models: WFH5424SJ & WFH5424SW



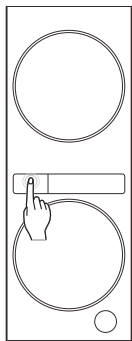
For Models: YWFH5424SJ & YWFH5424SW

# Load & Go™ Dispenser

Handle the dispenser with care. Avoid pulling or pushing the dispenser aggressively during opening and closing.

## How to open the detergent dispenser

Lightly press and release the front panel to access the Load & Go™ dispenser.



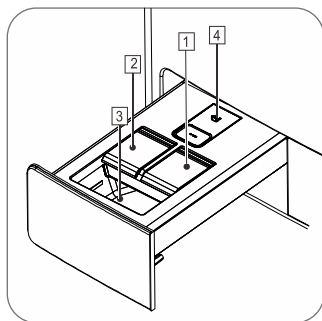
## Automatic Dosing:

**IMPORTANT:** Only use HE liquid detergent and fabric softener to fill the detergent tanks ("1" and "2"); never use powder detergent. This machine is not intended to be used with bleach. Bleach may cause damage to the machine.

### 1. Tank 1: Liquid Detergent

- Liquid generic detergent OR
- Liquid specific detergent (e.g. for colours, wool, sports garments etc.)

**IMPORTANT:** Tank 1 (Max fill up to 27 oz / 800 ml) must only be used for liquid laundry detergent. Do not add fabric softener to this compartment.



### 2. Tank 2: Fabric Softener

- Fabric softener

**IMPORTANT:** Fabric softener may only be added to the wash cycle using the dispenser and the automatic dosing feature. Add fabric softener to Tank 2 (Max fill up to 13.5 oz / 400 ml) and press the Fabric Softener button to turn automatic dispensing on/off. Review the Automatic Dispensing Functions section for more details.

## MANUAL DOSING:

### 3. Detergent compartment for manual dosing

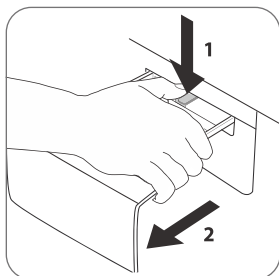
- Powder or liquid detergent

If you use powder detergent, make sure to fill the compartment only up to the "max" mark.

### 4. Release button

Press down on the release button and gently remove the dispenser drawer for cleaning.

It is recommended to regularly clean the dispenser drawer. Follow the detailed instructions, which can be found in the "Care and Maintenance" section.

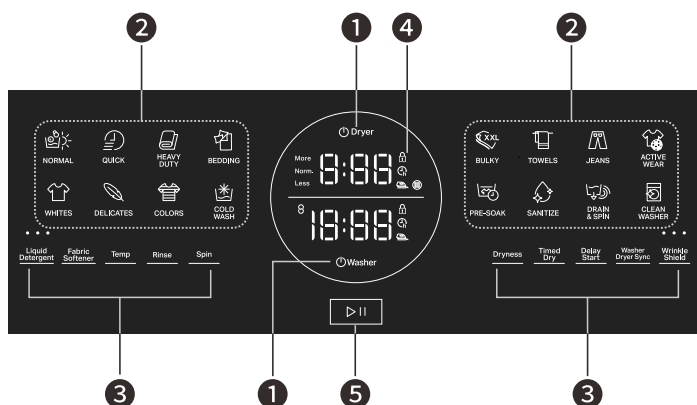


# OPERATING INSTRUCTIONS

## Control Panel

- The upper portion is the Dryer, and the lower portion is the Washer. The Dryer and Washer can work independently or at the same time.
- When both are turned on at the same time, the display window of the currently selected will be fully lit, and the display window of the other will be half lit.
- This product uses touch buttons for both the Washer and Dryer sections to control cycle selection, function settings, modifiers, power and start/pause activation.
- When selecting functions, if the button is not illuminated, that option is not available. If the button is partially illuminated, the option can be selected or adjusted. If the button is fully lit, the function has been selected.

## Control Panel Overview (All Icons Shown):



### 1 Power On/Off button

- Press and hold the [Washer] or [Dryer] button to turn the Washer or Dryer on or off.
- If one of the units is already turned on and you would like to activate the other unit, press and hold the "Power On/Off" button on the inactive section to turn it on. The display will illuminate to show the newly activated section.
- When both the upper and lower units are turned on, press the [Washer] or [Dryer] button to switch between the upper/lower unit. (After the cycle ends, Washer or Dryer will automatically turn off in 10 minutes.)

### 2 Cycle selection button

- Select the appropriate wash and dry cycle, modifier, and settings for your items. There are 16 cycles for Washer and 10 cycles for Dryers. Please refer to the cycle table for details.
- The "NORMAL" cycle is selected by default. You can switch cycle selection by pressing a different cycle button, which will select and illuminate the button for the newly selected cycle.
- If a cycle is used three times in a row, it will be selected by default the next time the appliance is turned on.

### 3 Function setting button

#### Washer optional modifiers

Liquid Detergent	Fabric Softener	Temp	Rinse	Spin
Delay Start	Washer Dryer Sync			

#### Dryer optional modifiers

Dryness	Timed Dry	Wrinkle Shield
---------	-----------	----------------

For more details about these optional modifiers, please refer to the Panel Function Introduction section.

### 4 Display window

- After powering on, it will displays cycle time, modifier settings, etc.
- During operation, it will displays the remaining time.
- When an abnormality occurs, it will displays the fault code.

#### Display window icon

Door Locks	Delay Start	Wrinkle Shield
Filter cleaning reminder	Washer Dryer Sync	

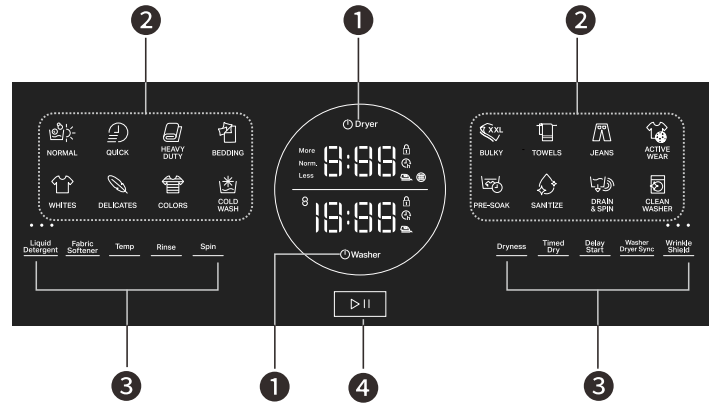
#### 8:88 Display Window - Number & Code Overview

- During the cycle, the remaining time of the cycle is displayed. Example: Remaining time: 20 minutes.
- During the cycle parameter setting process, the set parameters are displayed. Example: Water Temperature #5 (Extra Hot).
- When using the Delay Start function, the length of time until the cycle starts is displayed. Example: Cycle will commence in 8 hours.
- When an abnormal situation occurs, the fault code is displayed. Example: No water supply.

### 5 Start/Pause button

- Press this button to start the appliance. Once activated, press and hold the button to pause the appliance.
- After starting, if there is no operation for 30 seconds, the appliance will enter the standby state. Touch the control panel or press the "Start/Pause" button more setting interfaces.

## Using The Quick Start (All Icons Shown):



#### Prepare for washing

- When loading clothes in the washer drum, make sure no clothing is caught between the door and the front rubber bellow seal prior to closing the door.

#### Prepare for drying

- When loading clothes in the dryer drum, make sure no clothing is caught between the door and the metal front panel prior to closing the door.

#### Control panel operation

- 1 Press the "Power On/Off" button to turn on the power.
- 2 Select the cycle according to your needs.
- 3 Adjust cycle parameters or select functions as needed.
- 4 Press the "Start/Pause" button to start the cycle and start washing/drying.







#### Washing/drying end









- The washer/dryer emits a reminder sound, the display shows "End", and the dryer filter reminder light flashes.
- At this time, the door drumlight will automatically turn on for 35 seconds, and the corresponding display will go out.
- If you do not take out the clothes for 15 minutes, the appliance will automatically shut down.



# Cycle Guide (Washer)

Cycle selection and modifiers shown in bold are default settings for that wash cycle. For best fabric care, choose the cycle, options, and settings that best fit the load being washed. Always read and follow fabric care labels and laundry product instructions. Avoid tightly packing the Washer. The washer will not rinse well or spin correctly if tightly packed. Not all settings are available with each cycle, and some options washer.

**WARNING:** To reduce the risk of fire, electric shock, or injury to persons, read the IMPORTANT SAFETY INSTRUCTIONS, located in your appliance's Owner's Manual, before operating this appliance.

Items to Wash	Cycle	Wash Temp 1(Tap Cold) / 2(Cold) / 3(Warm) / 4(Hot) / 5(Extra Hot)	Number of rinses	Spin Speed OFF(no spin)/1(slowest), 2(mid)/3(fastest)	Wash Options (Bolded items are the default options)
Normally soiled items.	 NORMAL	Default: <b>3</b> Range: 1-5	Default: <b>1</b> Range: 1-6	Default: <b>3</b>	delay start: On or <b>Off</b> Auto dispensing Liquid Detergent: <b>On</b> or Off Auto dispensing Fabric Softener: <b>On</b> or Off washer dryer sync: On or <b>Off</b>
Small loads of lightly soiled fabrics.	 QUICK	Default: <b>3</b> Range: 1-4	Default: <b>1</b> Range: 1-4	Default: <b>2</b> Range: off-1-2-3	delay start: On or <b>Off</b> Auto dispensing Liquid Detergent: <b>On</b> or Off washer dryer sync: On or <b>Off</b>
Heavily soiled items.	 HEAVY DUTY	Default: <b>4</b> Range: 1-5	Default: <b>2</b> Range: 2-6	Default: <b>3</b> Range: off-1-2-3	delay start: On or <b>Off</b> Auto dispensing Liquid Detergent: <b>On</b> or Off Auto dispensing Fabric Softener: <b>On</b> or Off washer dryer sync: On or <b>Off</b>
Large items.	 BEDDING	Default: <b>3</b> Range: 1-5	Default: <b>2</b> Range: 2-6	Default: <b>2</b> Range: off-1-2-3	delay start: On or <b>Off</b> Auto dispensing Liquid Detergent: <b>On</b> or Off Auto dispensing Fabric Softener: <b>On</b> or Off washer dryer sync: On or <b>Off</b>
Whites.	 WHITES	Default: <b>4</b> Range: 1-5	Default: <b>2</b> Range: 2-6	Default: <b>3</b> Range: off-1-2-3	delay start: On or <b>Off</b> Auto dispensing Liquid Detergent: <b>On</b> or Off Auto dispensing Fabric Softener: <b>On</b> or Off washer dryer sync: On or <b>Off</b>
Silk and chiffon fabrics.	 DELICATES	Default: <b>2</b> Range: 1-5	Default: <b>2</b> Range: 2-6	Default: <b>1</b> Range: off-1-2-3	delay start: On or <b>Off</b> Auto dispensing Liquid Detergent: <b>On</b> or Off Auto dispensing Fabric Softener: <b>On</b> or Off washer dryer sync: On or <b>Off</b>


Items to Wash	Cycle	Wash Temp 1(Tap Cold) / 2(Cold) / 3(Warm) / 4(Hot) / 5(Extra Hot)	Number of rinses	Spin Speed OFF(no spin)/1(slowest), 2(mid)/3(fastest)	Wash Options (Bolded items are the default options)
Brightly colored or easily faded clothes.	 COLORS	Default: <b>1</b> Range: 1-2	Default: <b>2</b> Range: 2-4	Default: <b>3</b> Range: off-1-2-3	delay start: On or <b>Off</b> Auto dispensing Liquid Detergent: <b>On</b> or Off Auto dispensing Fabric Softener: <b>On</b> or Off
Lightly soiled items. The cycle uses only cold water to save energy.	 COLD WASH	Default: <b>1</b>	Default: <b>2</b> Range: 2-6	Default: <b>3</b> Range: off-1-2-3	delay start: On or <b>Off</b> Auto dispensing Liquid Detergent: <b>On</b> or Off Auto dispensing Fabric Softener: <b>On</b> or Off
Bulky items.	 BULKY	Default: <b>3</b> Range: 1-5	Default: <b>2</b> Range: 2-6	Default: <b>2</b> Range: off-1-2	delay start: On or <b>Off</b> Auto dispensing Liquid Detergent: <b>On</b> or Off Auto dispensing Fabric Softener: <b>On</b> or Off washer dryer sync: On or <b>Off</b>
Bath towels, wash cloths.	 TOWELS	Default: <b>4</b> Range: 1-5	Default: <b>2</b> Range: 2-6	Default: <b>3</b> Range: off-1-2-3	delay start: On or <b>Off</b> Auto dispensing Liquid Detergent: <b>On</b> or Off Auto dispensing Fabric Softener: <b>On</b> or Off washer dryer sync: On or <b>Off</b>
Large demin items.	 JEANS	Default: <b>2</b> Range: 1-5	Default: <b>2</b> Range: 2-6	Default: <b>1</b> Range: off-1-2	delay start: On or <b>Off</b> Auto dispensing Liquid Detergent: <b>On</b> or Off Auto dispensing Fabric Softener: On or <b>Off</b> washer dryer sync: On or <b>Off</b>
Active wear.	 ACTIVE WEAR	Default: <b>2</b> Range: 1-4	Default: <b>2</b> Range: 2-6	Default: <b>1</b> Range: off-1-2-3	delay start: On or <b>Off</b> Auto dispensing Liquid Detergent: <b>On</b> or Off Auto dispensing Fabric Softener: On or <b>Off</b> washer dryer sync: On or <b>Off</b>
Pre-soak only, not a complete wash cycle.	 PRE-SOAK	Default: <b>2</b> Range: 1-5	Default: <b>1</b> Range: 1	Default: <b>1</b> Range: off-1-2-3	delay start: On or <b>Off</b> Auto dispensing Liquid Detergent: <b>On</b> or Off
Heavily soiled colorfast items with the need for sanitization.	 SANITIZE	Default: <b>5</b>	Default: <b>3</b> Range: 3-6	Default: <b>3</b> Range: off-1-2-3	delay start: On or <b>Off</b> Auto dispensing Liquid Detergent: <b>On</b> or Off Auto dispensing Fabric Softener: <b>On</b> or Off

Items to Wash	Cycle	Wash Temp 1(Tap Cold) / 2(Cold) / 3(Warm) / 4(Hot) / 5(Extra Hot)	Number of rinses	Spin Speed OFF(no spin)/1(slowest), 2(mid)/3(fastest)	Wash Options (Bolted items are the default options)
For items that require spinning only.	 DRAIN & SPIN	NA	Default: 0 Range: 0	Default: 2 Range: off-1-2-3	delay start: On or <b>Off</b>
Cleans the inner and outer drums, Do not place items in the machine during this cycle.	 CLEAN WASHER	Default: 5	Default: 2 Range: 2	NA	delay start: On or <b>Off</b>

**NOTE:** All rinses are cold.

**NOTE:** Normal cycle is recommended for washing normally soiled cotton or linen clothes. This clothes washer's government energy certifications were based on the Normal/Regular with Rinse 1, and all wash temperature selections offered in the cycle. It was tested as an Automatic Water Fill Control System clothes washer. Cycles that are available for post-sale download may use more energy than the Normal/Regular cycle, which the energy use rating of this washer is based upon.

**⚠ WARNING**



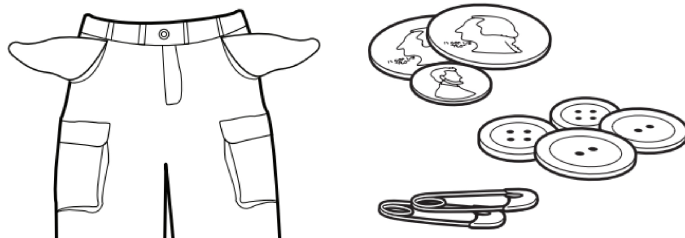
**Fire Hazard**

**Never place items in the washer that are dampened with gasoline or other flammable fluids.**

**No washer can completely remove oil.**

**Do not dry anything that has ever had any type of oil on it (including cooking oils).**

**Doing so can result in death, explosion, or fire.**



### Sort and Prepare Your Laundry


- Sort items by recommended cycle, water temperature, and colorfastness.
- Separate heavily soiled items from lightly soiled. Separate delicate items from sturdy fabrics.
- Treat stains promptly and check for colorfastness by testing stain remover products on an inside seam.
- Empty pockets. Loose change, buttons, or any small object can plug pumps and may require a service call.
- Close zippers, fasten hooks, tie strings and sashes, and remove non-washable trim and ornaments.
- Mend rips and tears to avoid further damage to items during washing.
- When washing waterproof or water-resistant items, load evenly.
- Use mesh garment bags to help avoid tangling when washing delicate or small items.
- Turn knits inside out to avoid pilling. Separate Synthetics, knits, and corduroy fabrics will pick up lint from towels, rugs, and chenille fabrics.
- Promptly remove garments after cycle has completed to avoid odor, reduce wrinkling, and prevent rusting of metal hooks, zippers, and snaps.
- Do not dry garments if stains remain after washing because heat can set stains into fabrics.

**NOTE:** Always read and follow fabric care label instructions to avoid damage to your items.

# Control Panel Function Introduction (Washer)

After selecting the cycle, you can add the following options if necessary:

## Automatic Dispensing Functions

Button	• • • Liquid Detergent	Fabric Softener
Setting	Automatic laundry detergent dispensing	Automatic softener dispensing
How to set it up	<p>Press the button to select the amount of detergent that will be dispensed during the cycle. Each press changes the number of indicator lights that are illuminated. The number of indicator lights corresponds to the amount of detergent as follows:</p> 	<p>Touch the button to turn on/off the automatic softener dispensing function; if the button is fully lit, the function is on, and if the button is half lit, the function is off.</p>
Additional Detail	<ul style="list-style-type: none"> <li>■ Different cycles have different settings. If the cycle does not support the automatic dispensing function, the button will not light up.</li> <li>■ Before turning on the automatic dispensing function, you need to confirm that there is enough detergent or softener in the dispenser.</li> <li>■ If the display shows "F B E 2", it means that the detergent or softener is insufficient and needs to be added in time.</li> <li>■ The automatic dispensing function remembers the last operation status by default.</li> </ul>	

### Temp

1. Press the "Temp" button, and the washer display will show the washing water temperature from 1 (low) to 5 (high). Adjust water temperature based on item washing requirements and instructions.
2. The setting range of water temperature varies for different cycles, and the water temperature selection for some cycles is limited.
3. The display shows "--" and the button is half-lit, indicating that the washing water temperature is at normal temperature.

### Rinse

1. Press the "Rinse" button, and the washer display will show the number of rinses. You can select the number of rinses according to your needs.
2. The setting item of the number of rinses varies for different cycles, and the number of rinses for some cycles is limited.
3. The display shows "--" and the button is half-lit, indicating no rinsing.

### Spin

1. Press the "Spin" button, and the washer display will show the spin speed. You can select the spin speed according to your needs.
2. The setting range of the spin speed varies for different cycles, and the spin speed selection for some cycles is limited.
3. The display shows "--" and the button is half-lit, indicating that the spin state is not active.

### Delay Start

1. After turning on the power, select the desired cycles and options.
2. Press the "Delay Start" button to turn on the Delay Start function. The display screen will show the Delay Start time, and the Delay Start icon "⌚" will flash. Tap the "Delay Start" button to jump to the Delay Start time, and you can set the Delay Start time.
3. The Delay Start time is set in intervals of 1 hour and can be set up to 24 hours at most. The Delay Start off position is displayed as "--".
4. Press the "Start/Pause" button to start the Delay Start function.
5. After the Delay Start is initiated, the display screen will show the countdown of the Delay Start time, and the Delay Start icon will remain on.

#### IMPORTANT :

- After the Delay Start is initiated, if you need to change the Delay Start utilize, please turn on the power again to start.
- Some cycles cannot be delayed start.

## Washer Dryer Sync

When the washing and drying linkage function is turned on, the dryer will be automatically turned on for preheating before the washing process is completed to improve the efficiency. Instructions for use:

1. Before the washer cycle is finished, press the "Washer Dryer Sync" button to turn on the washing and drying linkage function, and the washing machine display screen will display the "⊗" icon.
2. When the washer cycle is about to be completed, the dryer will automatically turn on, and the display screen will show the "[ ]" animation effect, indicating that it is preheating.
3. The dryer will automatically select the cycle and settings that correspond to the previously selected washer settings. Press the "Start/Pause" button to initiate the cycle.
4. The washing and drying linkage defaults to the same washer and dryer cycle.
5. If other drying cycles are selected during the preheating stage or the end of preheating, the Washer Dryer Sync function will be automatically deactivated.
6. If the load remains in the washer after 15 minutes, the appliance will automatically power off.

## Adding a Garment

Used when adding clothes to the washer during the washing process. After the cycle starts, the door will be automatically locked and cannot be opened. Press the "Start/Pause" button, after the door lock icon light off, the door lock is released, and the door can be opened to add clothes to the drum. After adding clothes, close the door, press the "Start/Pause" button, and continue to operate.

- To avoid water overflow or scalding, the Adding a Garment function is not supported when the water level and water temperature in the drum are high.
- Forcibly opening the door may cause component damage, safety problems, etc.
- When there is a lot of foam or water in the drum, after opening the door, in order to prevent foam or water from overflowing, please use a dry towel to catch it underneath.

## End tone off

When the cycle is finished, the washer will emit a buzzer reminder sound by default, indicating that you can take out the clothes at this time. If you do not need the reminder sound, you can set it to be disabled. The setting state will be remembered the next time the appliance is turned on.

Setting/disabling method:

- First turn on the power, then press and hold the "Start/Pause" button for 3 seconds, the display screen will display "OFF", and the end sound will be turned off; press and hold the "Start/Pause" button for 3 seconds again to turn on the end sound, and the display screen will display "On".

## Power saving

When in use, the control panel automatically enters power saving mode 30 seconds after startup and in non-pause state, and the interface can be awakened by touching the button.

## Frequently used cycle memory

The default cycle is NORMAL when the appliance is turned on for the first time. According to your usage habits, the cycle that you have used three times in a row recently will be used as the default cycle when the appliance is turned on next time.

## Automatic door opening











- Press and hold the "Delay Start" button to set the automatic door opening function, which can automatically open the door after the cycle ends.
- The automatic door opening function works for both the washer and the dryer.
- The setting is not supported while the machine is running.
- The Automatic door opening function may help minimize unpleasant odors from forming.

# Cycle Guide (Dryer)

Cycle selection and modifiers shown in bold are default settings for that dry cycle. For best fabric care, choose the cycle, options, and settings that best fit the load being dried. Always read and follow fabric care labels and dry product instructions. Avoid tightly packing the Dryer. Not all settings are available with each cycle, and some options dryer.

To get the most energy savings and enhanced fabric care from your dryer use the Automatic cycles. These cycles measure the drying air temperature and moisture levels to turn the dryer off once the load reaches the selected dryness level. Dryer performance and results may vary with service voltage less than 240V.

**WARNING:** To reduce the risk of fire, electric shock, or injury to persons, read the IMPORTANT SAFETY INSTRUCTIONS, located in your appliance's Owner's Manual, before operating this appliance.

Items to Dry	Cycle	Dryness 1-3	Timed Dry (10 Minute Increments)	Wrinkle Shield™
Normal, everyday clothes.	 NORMAL	normal dry (more-normal-less)	● 20-210	● 0/3h/6h
Smaller loads and garments.	 QUICK	○	○	● 0/3h/6h
For Larger, Heavier Items.	 HEAVY DUTY	normal dry (more-normal-less)	● 20-210	● 0/3h/6h
Bedding items.	 BEDDING	normal dry (more-normal-less)	● 20-210	● 0/3h/6h
White fabrics.	 WHITES	normal dry (more-normal-less)	● 20-210	● 0/3h/6h
Delicate items.	 DELICATES	normal dry	● 20-210	● 0/3h/6h
Large items.	 BULKY	normal dry (more-normal-less)	● 20-210	● 0/3h/6h
Towels and Washcloths.	 TOWELS	normal dry (more-normal-less)	● 20-210	● 0/3h/6h
Jeans and Larger Denim Items.	 JEANS	normal dry (more-normal-less)	● 20-210	● 0/3h/6h
Active wear.	 ACTIVE WEAR	normal dry (more-normal-less)	● 20-210	● 0/3h/6h

○ Default unselectable

● Default selectable

**NOTE:** These clothes dryer's Government energy certifications were based on the Normal Cycle and the Normal Dryness Level.

**NOTE:** Temperature setting is Non-Adjustable in the Normal cycle setting. The as-shipped defaults Normal cycle and Normal Dryness Level were used. Cycles that are available for post-sale download may use more energy than the Normal cycle, upon which the energy use rating of this dryer is based upon.

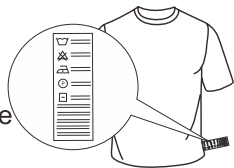
# Control Panel Function Introduction (Dryer)

## Care Labels

Always check the care label, especially when putting clothes in the dryer for the first time.


The most commonly used symbols are listed below:

- Tumble drying possible
- Do not tumble dry
- Tumble drying - high temperature
- Tumble dry - low temperature



**After selecting the cycle, you can add the following options if necessary:**

## Wrinkle Shield™

1. Press the "Wrinkle Shield™" button to turn on/off the Wrinkle Shield™ function. After the Wrinkle Shield™ function is activated, the clothes will be shaken and wrinkle-free after the cycle is finished.
2. The Wrinkle Shield™ of the washer can be selected in two levels, level 1 for 3 hours and level 2 for 6 hours.
3. The Wrinkle Shield™ level is distinguished by the number of indicator lights on the top of the button—.
4. After the Wrinkle Shield™ function is turned on, the indicator lights of the selected level are all on, and the display screen shows the anti-wrinkle time and icon "👕".
5. The Wrinkle Shield™ function of some cycles cannot be set.

## Dryness

1. After turning on the dryer, after setting the cycle and function, press the "Dryness" key to turn on the dryness function. The display will show the optional dryness levels. Press the "Dryness" button to switch to 3 dryness levels: **More/Norm/Less**, The selected dryness level is fully lit, and the unselected level is half lit. After the cycle starts, only the set options are lit.
  - level 1** Keep the clothes at the appropriate humidity after drying, which is convenient for ironing.
  - level 2** Use this level to dry damp cotton fabrics. The clothes are completely dry and can be taken out and worn immediately.
  - level 3** After drying, the clothes are dry enough and can be stored directly.
2. After selecting a specific dryness level, the content displayed on the cycle display will change accordingly.
3. The dryness selection of some cycles is restricted.
4. For larger or thicker clothes, some parts may be dried unevenly after drying. Please add appropriate drying time after drying depending on the drying results.

## Adding a Garment

Used when adding clothes to the dryer during the drying process. After the cycle starts, Press the "Start/Pause" button, The door can be opened immediately.

- clothes added during the process must be those that have been spun at high speed.

## End tone off

When the cycle is finished, the dryer will emit a buzzer reminder sound by default, indicating that you can take out the clothes at this time. If you do not need the reminder sound, you can set it to be disabled. The setting state will be remembered the next time the appliance is turned on.

Setting/disabling method:

- First turn on the power, then press and hold the "Start/Pause" button for 3 seconds, the display screen will display "OFF", and the end sound will be turned off; press and hold the "Start/Pause" button for 3 seconds again to turn on the end sound, and the display screen will display "On".

## Power saving

When in use, the control panel automatically enters power saving mode 30 seconds after startup and in non-pause state, and the interface can be awakened by touching the button.

## Automatic door opening

- Press and hold the "Delay Start" button to set the automatic door opening function, which can automatically open the door after the cycle ends.
- The automatic door opening function works for both the washer and the dryer.
- The setting is not supported while the machine is running.
- The Automatic door opening function is in order to prevent unpleasant odors from forming.

# CARE AND MAINTENANCE

Use affresh® appliance cleaner monthly to clean and help maintain appliance performance.

## Tower Care

Before performing cleaning and maintenance, switch the appliance off and disconnect it from the main power, Do not use flammable liquids to clean the appliance. Clean and maintain your appliance periodically (at least 4 times per year).

## Disconnect the water and power supplies

Unplug the appliance when cleaning it and during all maintenance work.

Unplug the appliance and turned off the faucet when not usage for long time.

## Clean the appliance

The outer parts and rubber components of the appliance can be cleaned using a soft cloth soaked in lukewarm soapy water. Do not use solvents or abrasives.

## Clean the detergent dispenser drawer

Wash it under running water; this operation should be repeated frequently.

## Care for the door and drum

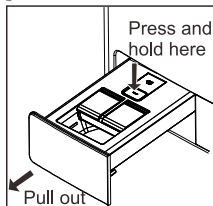
Leave the washer door slightly ajar when not in use in order to prevent unpleasant odors from forming.

## Check the water inlet hose

Check the water inlet hose at least once a year. If it is cracked or broken, it must be replaced: during wash cycles, the high pressure of the water could suddenly split the hose open. !Never use hoses that have already been used.

## Cleaning the detergent dispenser drawer

To prevent the detergent attached to the detergent drawer from getting moldy, clean the detergent drawer regularly. Pull out the detergent drawer with force while pressing the release button, clean it with water, and then reinsert it.



## Drum cleaning

### (recommended once a month)

After the washer has been used for a period of time, build up may be present in the washing drum. Use the CLEAN WASHER cycle to clean the inner and outer drums.

After 40 washing cycles are completed, the washer will automatically prompt you to perform a drum cleaning. The pannel will flash the icon of the "CLEAN WASHER". At this point, press the Start/Pause button to directly run the drum cleaning cycle, or press the Power On/Off button can cancel the reminder.

## Cleaning the drain pump filter

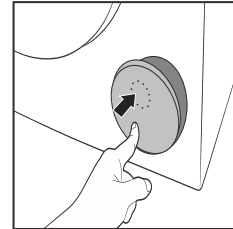
Switch off and unplug the washer, before cleaning the drain pump filter or draining residual water.

If you used a hot wash cycle, wait until the water has cooled down before draining any water.

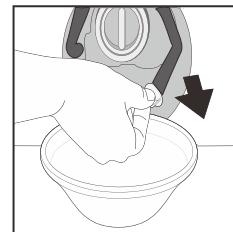
Clean the drain pump filter regularly, to avoid poor water draining performance.

If the water cannot drain, the display indicates that the drain pump filter may be clogged.

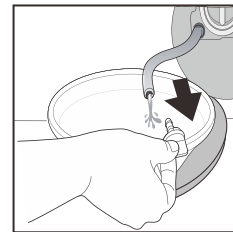
1. Power Off and unplug the appliance from the electrical outlet.
2. Press the top area of the pump filter door to open.



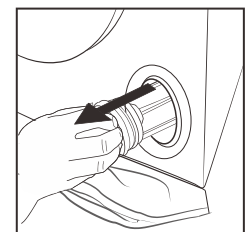
3. Place a container close to the pump to collect any spillage.
4. Stretch the "black hose" to the container(about 350ml).



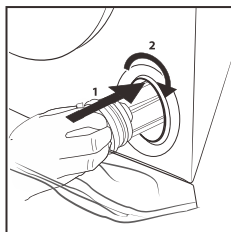
5. Pull the stopper of the "black hose" at the end of the hose and let the water flow into the container.



6. Turn the drain pump filter handle and pull it out of the housing.
7. **Remove filter:** Lay a cotton cloth beneath the drain pump filter, which can absorb a small amount of water. Then remove the drain pump filter by turning it out counterclockwise.



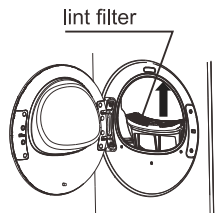
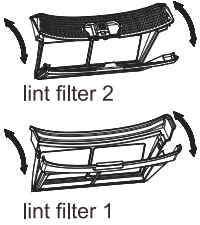
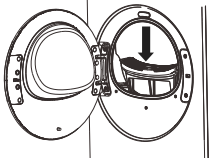
8. Clean the drain pump filter: remove residues in the filter and clean it under running water.
9. Insert the drain pump filter: Reinsert the drain pump filter again by turning it in clockwise direction . Make sure to turn it in as far as it goes; the filter handle must be in vertical position.



10. Reinstall the stopper and black hose to the original location, close the pump filter door .

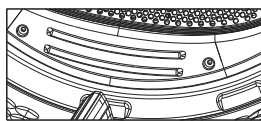
## Lint filter cleaning

**IMPORTANT:** Before or after each use of the dryer, the lint filter must be cleaned.

<p><b>1</b> Open the dryer door and remove the lint filter.</p> 	<p><b>2</b> Open the lint filter.</p> 
<p><b>3</b> Clean the lint, fibers and cotton with your hands or a soft cloth. Close the lint filter, and then replace the lint filter 1 and lint filter 2 .</p> 	

## Humidity sensor

Please use a dry and soft cotton cloth to wipe the hair and impurities on the surface of the humidity sensor regularly to ensure that the appliance operates normally.



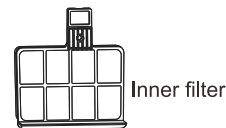
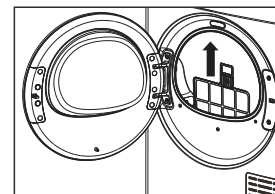
## Clean the Inner Filter Screen

It is recommended to clean the inner filter screen once a month, because small hairs and lint could get past the two lint filters over time.

If it is not cleaned regularly, reduced dryer performance may occur.

The specific procedure is as follows:

1. Open the dryer door and remove Lint Filters 1 and 2 first.
2. Remove the Inner Filter Screen from the dryer air flow channel.
3. Clean lint and hair from the screen with your hands or a soft cloth.
4. Return the Inner Filter Screen to its original position in the air flow channel. You should feel a small magnet 'click' when it is back into proper position.
5. Return the Lint Filters 1 and 2 back into the dryer air flow channel.



## Winter Storage Care

**IMPORTANT:** To avoid damage, install and store appliance where it will not freeze. Because some water may stay in hoses, freezing can damage appliance. If storing or moving during freezing weather, winterize your appliance.

**IMPORTANT:** Call for service to install new transport bolts. Do not reuse transport bolts. Appliance must be transported in the upright position. To avoid structural damage to your appliance, it must be properly set up for relocation by a certified technician.

### To winterize appliance:

1. Shut off both water faucets; disconnect and drain water inlet hoses.
- HELPFUL TIP :** Attach a reminder note to the appliance to turn the water back on before appliance's next use.
2. Remove drain pump filter.
3. Put 1 quart (1 L) of R.V.-type antifreeze in drum and run appliance on Normal cycle for about 2 minutes to mix antifreeze and remaining water.
4. Unplug appliance or disconnect power.

## TRANSPORT AND HANDLING

Do not lift the appliance by gripping it from the upper section. Unplug the appliance and close the water tap. Check that the door and detergent dispenser drawer are tightly closed. Detach the filling hose from the water tap then detach the drain hose. Empty all the water remaining in the hoses and secure the latter so that they do not get damaged during transport. Apply the transport bolts back on. Repeat, in reverse order, the transport bolt removal procedure described in the "installation instructions"

# TROUBLE SHOOTING

Condition	Reason
Washer/dryer not working	<ul style="list-style-type: none"> <li>● Is the power plug properly plugged in?</li> <li>● Is the door closed?</li> <li>● Is the start button pressed?</li> </ul>
The door won't open	<ul style="list-style-type: none"> <li>● The water level or temperature in the drum is too high when the program is running or paused or there is a power outage during the program.</li> <li>● Clothes are caught between the door and the door seal.</li> </ul>
There is a strange smell	<ul style="list-style-type: none"> <li>● Since rubber parts are used, there will be a rubber smell at first.</li> </ul>
Less water when washing and rinsing	<ul style="list-style-type: none"> <li>● Drum washers only require a small amount of water to wash.</li> </ul>
No water coming into machine	<ul style="list-style-type: none"> <li>● Is the faucet open?</li> <li>● Is the water inlet pipe frozen?</li> <li>● Is the filter at the water inlet pipe or water inlet valve blocked?</li> </ul>
Water inflow	<ul style="list-style-type: none"> <li>● If the water level drops, it will be automatically refilled.</li> </ul>
Draining water during washing	<ul style="list-style-type: none"> <li>● Was too much detergent or too much foam added?</li> </ul>
Remaining time changes	<ul style="list-style-type: none"> <li>● If the clothes in the drum are unevenly distributed, the washer will automatically add water to adjust the balance, the cycle time will be extended to compensate.</li> <li>● Since the displayed time is calculated based on the water intake of 8 liters/minute, the actual time will be extended or shortened accordingly with different water pressures.</li> </ul>
Abnormal sound during the spinning	<ul style="list-style-type: none"> <li>● Is the power cord in contact with the cabinet?</li> <li>● Have the bolts for transportation been removed?</li> <li>● Are there any foreign objects such as hairpins and coins dropped into the drum?</li> </ul>
Drying cycle is too short or too long	<ul style="list-style-type: none"> <li>● Are there too few or too many clothes?</li> <li>● Are the clothes not being spun dry?</li> </ul>
Cannot operate after power outage	<ul style="list-style-type: none"> <li>● The appliance will stop running when power is off, and will not continue running after power is restored. Please press the "Power On/Off" button and reset the cycle.</li> </ul>
Clothes are not dry after drying	<ul style="list-style-type: none"> <li>● Is there too little or too much laundry?</li> <li>● Is the laundry not spun?</li> <li>● Is the wrong program selected?</li> <li>● Is the filter clogged?</li> <li>● Is there any sediment on the temperature sensor?</li> </ul>

# TROUBLE SHOOTING

If your appliance encounters an unexpected error code, please review the information and trouble shooting solutions below, prior to contacting Whirlpool Customer Service.

## Washer

Error Code	Error Description
<b>F0E2</b>	Oversuds Detection: (1) Check to see if HE laundry detergent was used. (2) If laundry detergent was manually added, check to see if the auto-dispense was turned off and/or whether excessive amount of soap was used.
<b>F0E5</b>	Off Balance Load: If the clothes become tangled during the drying process, loosen and redistribute the clothes load before restarting the washer spin cycle. Touch POWER once to clear the code. Then touch POWER again and restart the washer.
<b>F1E1 / F3E2 / F4E2 F4E3 / F5E3 / F6E1 F6E2 / F7E2 / F7E6 F7EA / F8E3</b>	Electric Part or Electrical Control Parts abnormal: Touch POWER once to clear the code. Then touch POWER again to restart the washer. If the code appears again, unplug the appliance for 30 seconds, then plug it back in. If the code is still present, contact Customer Service.
<b>F1E6</b>	The Power Supply Voltage is detected to be out of range: Touch POWER once to clear the code. Then touch POWER again and restart the washer.
<b>F5E2</b>	Door Open: Close the door prior to running washer cycle. If code is still present after closing the door and the washer will not run a cycle, contact Customer Service.
<b>F7E9</b>	Motor Locked Rotor: When the unit operates under low voltage conditions, the motor may have insufficient power for rotation. 1. Touch POWER once to clear the code. Then touch POWER again and restart the washer. 2. If code appears again, unplug the washer for 30 seconds, then plug it back in. 3. Additionally, you may remove a portion of the load from the drum, turn off the unit, wait briefly, then turn on the unit and attempt to restart the wash cycle. 4. If the error code persists, contact Customer Service.
<b>F8E1</b>	No fill / Long fill: 1. Check to see if the water is connected and the faucet is open. 2. Confirm the drain hose is securely attached to the unit and functioning properly (no siphoning present). 3. Check if the drain hose filter is cleaned out. 4. If code is still present, contact Customer Service.
<b>F8E2</b>	Dispenser System Error: 1. Check if the soap dispenser is fully inserted and not sticking out. May have to open and re-close. If code is still present, contact Customer Service.
<b>F9E1</b>	Drain Pump Blocked: 1. Check whether the water drain filter is clogged and clean up as needed; 2. Check whether the drain pipe is siphoning. If siphoning, adjust drain to prevent siphoning.
<b>U1</b>	The Soap Dispenser Is Not Fully Inserted Into The Compartment: 1. Check to see if the soap dispenser is fully inserted and aligned with the front surface, flush with the unit. Try opening and closing the dispenser. 2. If the error code is still present, contact Customer Service.

## Dryer

Error Code	Error Description
<b>F4E3</b>	Lint Filter Blocked / Clogged: 1. Open the Dryer door, remove and clean the two-stage lint filter. 2. Check the inner filter screen, clean out, and return the two-stage lint filter to its original position. If code is still present, contact Customer Service.
<b>F5E2</b>	Door Open: 1. Check for clothes between the door seal and door and close the door prior to running a dryer cycle. 2. If the error code is still present, contact Customer Service.
<b>F1E1 / F3E1 / F3E2 F3E3 / F3E4 / F6E1 F6E2 / F6E3 / F7E1 F7E2 / F7E3 / F9E2</b>	Electric Part Or Electrical Control Parts Abnormal: Touch POWER once to clear the code. Then touch POWER again to restart the dryer. If the code appears again, unplug the appliance for 30 seconds, then plug it back in. If the code is still present, contact Customer Service.

# SÉCURITÉ DE LA TOUR DE LAVAGE

## Sécurité de la laveuse

### Votre sécurité et celle des autres sont très importantes.

Nous fournissons de nombreux messages importants relatifs à la sécurité dans le présent manuel et sur votre appareil. Lisez et respectez toujours tous les messages de sécurité.



Ceci est un symbole d'alerte de sécurité.

Ce symbole vous avertit des dangers potentiels qui peuvent vous tuer ou vous blesser, vous ou d'autres personnes.

Tous les messages de sécurité suivent le symbole d'alerte de sécurité et le mot « DANGER » ou « AVERTISSEMENT ». Ces termes signifient :

**⚠ DANGER**

**Vous pouvez être tué ou gravement blessé si vous ne respectez pas immédiatement les instructions.**

**⚠ AVERTISSEMENT**

**Vous pouvez être tué ou gravement blessé si vous ne respectez pas les instructions.**

Tous les messages de sécurité vous indiquent quel est le danger potentiel, comment réduire les risques de blessures et ce qui peut arriver si les instructions ne sont pas respectées.

## INSTRUCTIONS IMPORTANTES RELATIVES À LA SÉCURITÉ

**AVERTISSEMENT** : Pour réduire le risque d'incendie, de choc électrique ou de blessure corporelle lors de l'utilisation de votre appareil, suivez les précautions de base, notamment celles-ci :

- Lisez toutes les instructions avant d'utiliser l'appareil.
- Ne pas laver les articles qui ont été précédemment nettoyés, lavés, imbibés ou tachés avec de l'essence, des solvants de nettoyage à sec ou d'autres substances inflammables ou explosives, car ils dégagent des vapeurs susceptibles de s'enflammer ou d'exploser.
- Ne pas ajouter d'essence, de solvants de nettoyage à sec ou d'autres substances inflammables ou explosives à l'eau de lavage. Ces substances dégagent des vapeurs qui peuvent s'enflammer ou exploser.
- Dans certaines conditions, de l'hydrogène gazeux peut être produit dans un système d'eau chaude qui n'a pas été utilisé pendant 2 semaines ou plus. **LE GAZ HYDROGÈNE EST EXPLOSIF.** Si le système d'eau chaude n'a pas été utilisé pendant une telle période, avant d'utiliser une laveuse, ouvrez tous les robinets d'eau chaude et laissez couler l'eau de chacun d'eux durant plusieurs minutes. Cela permet de libérer l'hydrogène accumulé. Le gaz étant inflammable, ne fumez pas et n'utilisez pas de flamme nue durant cette période.
- Risque de suffocation et de blessure par coincement : Ne laissez pas les enfants jouer sur ou dans l'appareil. Une surveillance étroite des enfants est nécessaire lorsque l'appareil est utilisé à proximité d'eux.
- Avant de mettre l'appareil hors service ou au rebut, retirez la porte.
- Ne mettez pas la main dans l'appareil si la cuve ou l'agitateur est en mouvement.
- N'installez pas et ne rangez pas cet appareil dans un endroit exposé aux intempéries.
- Ne manipulez pas les commandes.
- Ne réparez ni ne remplacez aucune pièce de l'appareil et n'entrez aucun entretien, sauf si cela est expressément recommandé dans les instructions d'entretien destinées à l'utilisateur ou dans des instructions de réparation publiées que vous comprenez et êtes capable d'exécuter.
- N'utilisez pas de pièces de rechange qui n'ont pas été recommandées par le fabricant (par exemple des pièces fabriquées à la maison à l'aide d'une imprimante 3D).
- Consultez les instructions d'installation pour connaître les exigences de mise à la terre et les étapes d'installation.

**CONSERVEZ CES INSTRUCTIONS**

### AVERTISSEMENT

Certaines pièces internes ne sont intentionnellement pas mises à la terre et peuvent présenter un risque d'électrocution uniquement lors de l'entretien.

Personnel de maintenance – Ne touchez pas au verrou de porte, à la pompe de vidange ou au chauffe-eau lorsque l'appareil est sous tension.

# Sécurité De La Sécheuse

## Votre sécurité et celle des autres sont très importantes.

Nous fournissons de nombreux messages importants relatifs à la sécurité dans le présent manuel et sur votre appareil. Lisez et respectez toujours tous les messages de sécurité.



Ceci est un symbole d'alerte de sécurité.

Ce symbole vous avertit des dangers potentiels qui peuvent vous tuer ou vous blesser, vous ou d'autres personnes.

Tous les messages de sécurité suivent le symbole d'alerte de sécurité et le mot « DANGER » ou « AVERTISSEMENT. » Ces termes signifient :

**⚠ DANGER**

**Vous pouvez être tué ou gravement blessé si vous ne respectez pas immédiatement les instructions.**

**⚠ AVERTISSEMENT**

**Vous pouvez être tué ou gravement blessé si vous ne respectez pas les instructions.**

Tous les messages de sécurité vous indiquent quel est le danger potentiel, comment réduire les risques de blessures et ce qui peut arriver si les instructions ne sont pas respectées.



## **AVERTISSEMENT** — « Risque d'incendie »

- L'installation de la sécheuse doit être effectuée par un installateur qualifié.
- Installez de la sécheuse conformément aux instructions du fabricant et aux réglementations locales.
- Pour réduire le risque de blessure grave ou de décès, suivez toutes les instructions d'installation.
- Conservez les présentes instructions.

**Certaines pièces internes ne sont intentionnellement pas mises à la terre et peuvent présenter un risque d'électrocution uniquement lors de l'entretien.**

**Personnel de maintenance – Ne touchez pas au verrou de porte, à la pompe de vidange ou au compresseur lorsque l'appareil est sous tension**

## INSTRUCTIONS IMPORTANTES RELATIVES À LA SÉCURITÉ

**AVERTISSEMENT** : Pour réduire le risque d'incendie, de choc électrique ou de blessure corporelle lors de l'utilisation de votre appareil, suivez les précautions de base, notamment celles-ci :

- Lisez toutes les instructions avant d'utiliser l'appareil.
- Ne pas sécher les articles qui ont été précédemment nettoyés, lavés, imbibés ou tachés avec de l'essence, des solvants de nettoyage à sec ou d'autres substances inflammables ou explosives, car ils dégagent des vapeurs susceptibles de s'enflammer ou d'exploser.
- Risque de suffocation et de blessure par coincement : Ne laissez pas les enfants jouer sur ou dans l'appareil. Une surveillance étroite des enfants est nécessaire lorsque l'appareil est utilisé à proximité d'eux.
- Avant de mettre l'appareil hors service ou au rebut, retirez la porte du compartiment séchant.
- Ne mettez pas la main dans l'appareil si le tambour est en mouvement.
- N'installez pas et ne rangez pas cet appareil dans un endroit exposé aux intempéries.
- Ne manipulez pas les commandes.
- Ne réparez ni ne remplacez aucune pièce de l'appareil et n'entrez aucun entretien, sauf si cela est expressément recommandé dans les instructions d'entretien destinées à l'utilisateur ou dans des instructions de réparation publiées que vous comprenez et êtes capable d'exécuter.
- Ne pas utiliser de chaleur pour sécher des articles contenant de la mousse de caoutchouc ou des matériaux similaires à texture caoutchouteuse.
- Nettoyez le filtre à peluches avant ou après chaque cycle.
- Ne placez pas dans la sècheuse des articles ayant été exposés à des huiles de cuisson. Les articles contaminés par des huiles de cuisson peuvent provoquer une réaction chimique susceptible d'entraîner un incendie. Pour réduire le risque d'incendie lié à des charges contaminées, la dernière phase du cycle de séchage se déroule sans chaleur (phase de refroidissement). Évitez d'interrompre le cycle de séchage avant la fin, à moins de retirer et d'étaler tous les articles afin que la chaleur puisse se dissiper.
- N'utilisez pas de pièces de rechange qui n'ont pas été recommandées par le fabricant (par exemple des pièces fabriquées à la maison à l'aide d'une imprimante 3D).
- Consultez les instructions d'installation pour connaître les exigences de mise à la terre et les étapes d'installation.

**CONSERVEZ CES INSTRUCTIONS**

## INSTRUCTIONS IMPORTANTES RELATIVES À LA SÉCURITÉ

LORSQUE VOUS METTEZ AU REBUT OU STOCKEZ VOTRE ANCIENNE SÈCHEUSE, RETIREZ LA PORTE.

**CONSERVEZ CES INSTRUCTIONS**

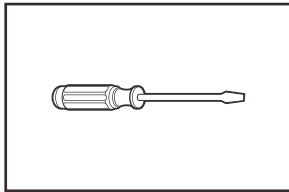
# INSTRUCTIONS D'INSTALLATION

## Exigences relatives à l'installation

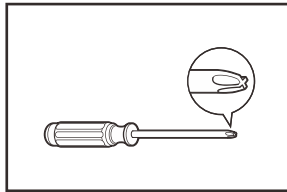
### Outils et pièces

Rassemblez les outils et les pièces nécessaires avant de commencer l'installation.

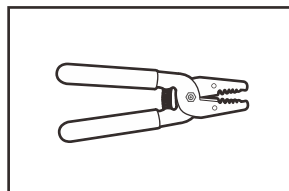
### Outils nécessaires :



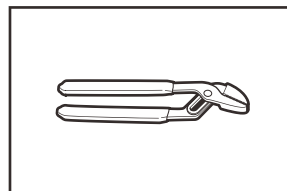
Tournevis plat



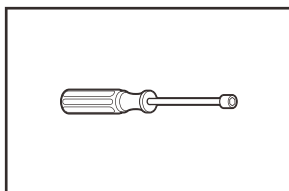
Tournevis Phillips # n°2



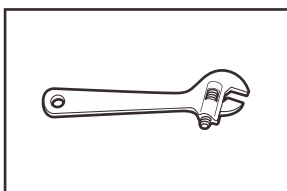
Pince à dénuder (installations à fils directs)



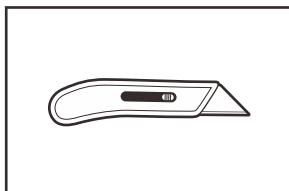
Pince multiprise



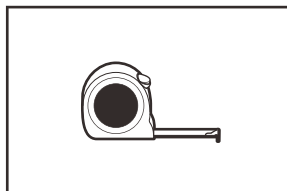
Clé à écrous de 1/4" et 5/16" (recommandé)



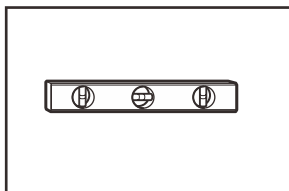
Clé à molette ouvrant jusqu'à 1" (25 mm) ou clé à douille à tête hexagonale



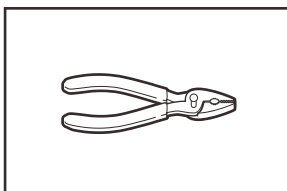
Couteau tout usage



Mètre ruban

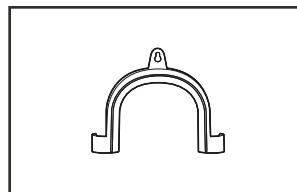


Niveau

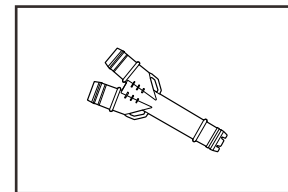


Pinces

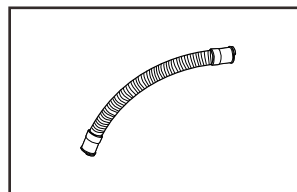
### Pièces fournies :



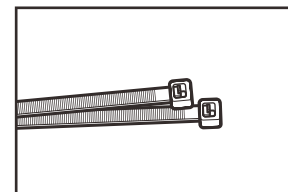
Coude en U (pour fixer le tuyau d'évacuation)



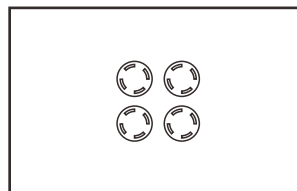
Connecteur en Y



Extension de tuyau d'évacuation



Serre-câble



Capuchons pour les trous des boulons de transport

Le sachet de pièces se trouve dans le tambour de l'appareil. Vérifiez que toutes les pièces sont incluses.

### Si vous utilisez un cordon d'alimentation :


Utilisez une trousse de cordon d'alimentation homologué UL conçue pour sècheuses. La trousse doit contenir :

- Un cordon d'alimentation de 30 A homologué UL, avec une tension nominale minimale de 120/240 V. Le cordon doit être de type SRD ou SRDT et mesurer au moins 1,22 m (4 pieds). Les fils de connexion doivent se terminer par des cosses annulaires ou des cosses plates à extrémité relevée.
- Un serre-câble homologué UL.

## Exigences relatives à l'emplacement

## Dimensions de la tour

**⚠ AVERTISSEMENT**



**Risque d'explosion**

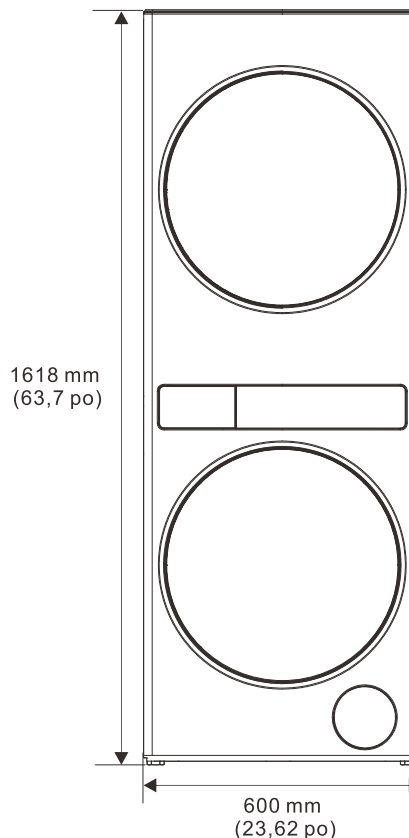
**Tenir la sécheuse à l'écart des matières et vapeurs inflammables, comme l'essence. Ne jamais sécher un article qui a été en contact avec un produit inflammable (même si cet article a été lavé). Ne pas installer dans un garage. Le non-respect de cette consigne peut entraîner un décès, une explosion ou un incendie.**

**IMPORTANT :** Ne pas installer, entreposer ou utiliser l'appareil dans un endroit exposé aux intempéries ou à des températures inférieures à 0°C (32°F). L'eau résiduelle dans l'appareil après utilisation peut causer des dommages par temps froid. Consultez la section « Entretien et maintenance » pour les instructions de hivernisation. Sélectionnez un emplacement approprié pour améliorer les performances, réduire le bruit et éviter que l'appareil ne se déplace. Installez l'appareil dans un sous-sol, une buanderie, un placard ou une niche encastrée. L'installation correcte est de votre responsabilité.

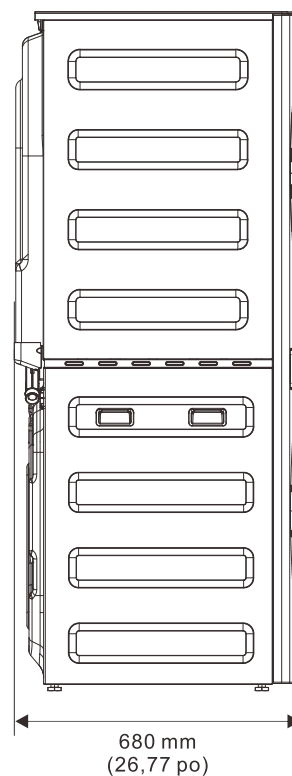
Il vous faut

- Un circuit séparé de 30 A.
- Un chauffe-eau réglé sur 49°C (120°F).
- Si vous utilisez un cordon d'alimentation, une prise de courant avec mise à la terre située à moins de 610 mm (2 pi) de chaque côté de la tour. Voir « Exigences électriques ».
- Des robinets d'eau chaude et d'eau froide situés à moins de 1,2 m (4 pieds) des vannes d'arrivée d'eau de l'appareil, avec une pression d'eau de 20 à 100 psi (137,9 à 689,6 kPa).
- Un sol de niveau, avec une pente maximale de 25 mm (1 po) sous l'ensemble de l'appareil. L'installation sur moquette ou surface avec sous-couche en mousse est déconseillée.
- Le sol doit pouvoir supporter le poids total de la laveuse (eau et linge inclus), soit 186 kg (409 lb).
- La tour ne doit pas être installée ou entreposée dans un endroit où elle sera exposée à l'eau et/ou aux intempéries.

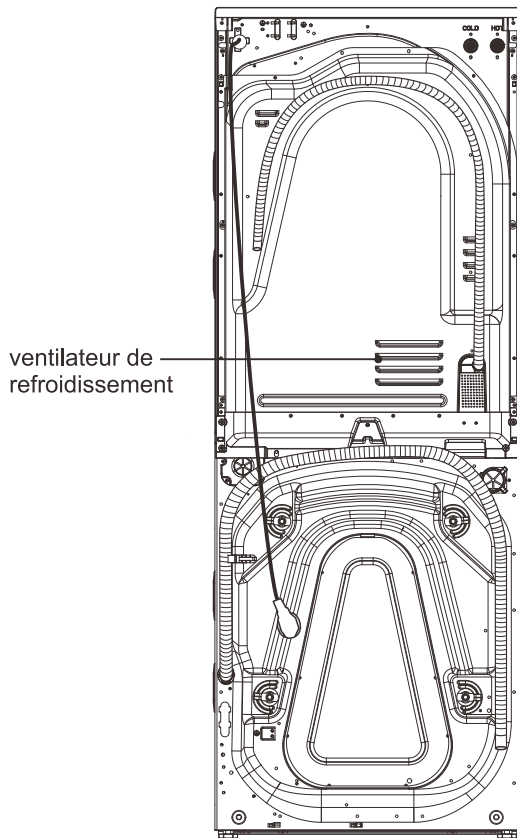
Toutes les dimensions indiquent les espacements minimaux requis. Prévoyez davantage d'espace pour faciliter l'installation, l'entretien, l'ajout d'appareils complémentaires et les dégagements pour les murs, portes et plinthes. L'espace doit permettre l'ouverture complète de la porte. Ajoutez un espace de 25 mm (1 po) sur tous les côtés de la laveuse pour réduire la transmission du bruit. Les portes doivent être à persiennes ou l'équivalent et présenter une surface ouverte d'au moins 155 cm<sup>2</sup> (24 po<sup>2</sup>) en bas et 310 cm<sup>2</sup> (48 po<sup>2</sup>) en haut.



Vue latérale :



## Vue arrière :



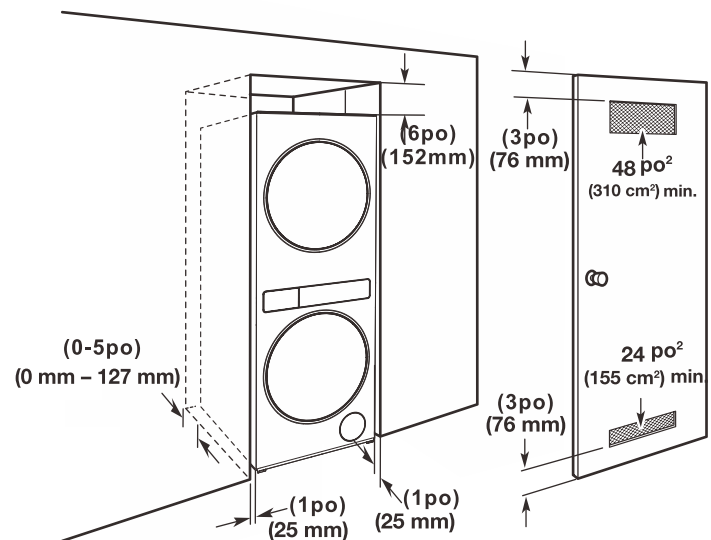
**IMPORTANT :** Ne pas obstruer le ventilateur de refroidissement, sous peine de dysfonctionnement de l'appareil.

## Espacement de l'installation en niche ou placard :

Toutes les dimensions indiquent les espacements recommandés et minimaux requis.

- Un dégagement supplémentaire doit être envisagé pour faciliter l'installation et l'entretien.
- Des dégagements additionnels peuvent être nécessaires pour les murs, les portes, le sol, les plinthes et le système d'évacuation.
- Un espace supplémentaire doit être prévu sur tous les côtés de l'appareil afin de réduire la transmission du bruit.
- Pour une installation dans un placard avec porte, des ouvertures de ventilation minimales sont requises en haut et en bas de la porte. Les portes à persiennes avec des ouvertures de ventilation équivalentes sont acceptables.
- L'espacement avec un appareil proche doit également être pris en compte.

## Dégagements recommandés pour l'installation (appareil seul) :



## Maison mobile – Exigences d'installation additionnelles :

Cette tour est adaptée aux installations en maisons mobiles. L'installation doit être conforme à la norme sur la construction et la sécurité des maisons préfabriquées (Manufactured Home Construction and Safety Standards), Titre 24 CFR, Partie 3280 (anciennement Norme fédérale pour la construction et la sécurité des maisons mobiles, Titre 24, HUD Partie 280) ou à la norme CAN/CSA-Z240 MH.

# Installation

## 1. Déballage

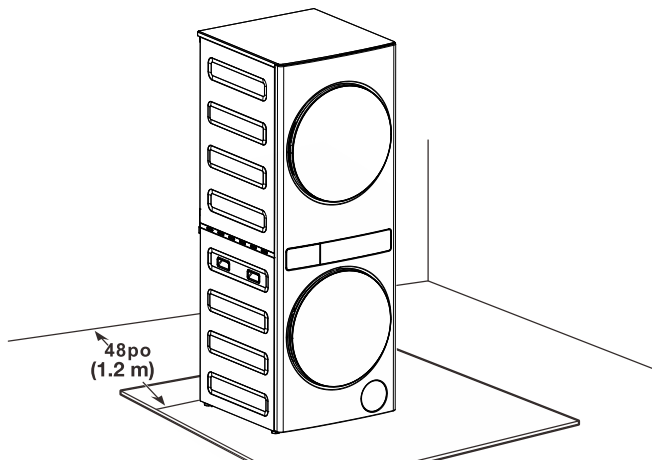
### **AVERTISSEMENT**

Risque lié au poids excessif

Utilisez deux personnes ou plus afin de déplacer et d'installer ou de désinstaller l'appareil.

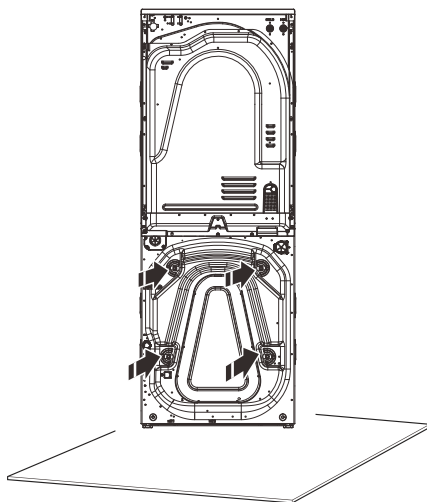
Le non-respect de ceci peut entraîner des blessures ou dos ou autres.

## 2. Déplacement de l'appareil

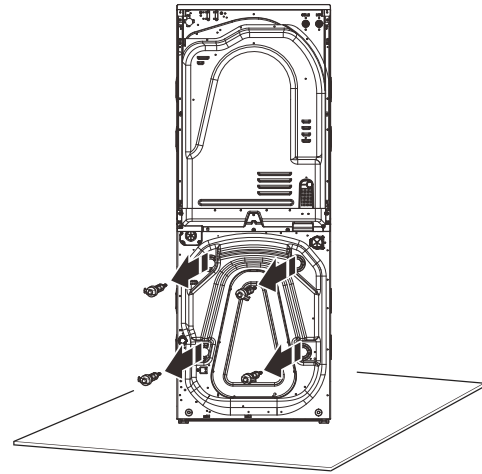


Pour un fonctionnement optimal et afin d'éviter un bruit excessif, il est nécessaire de retirer tous les matériaux d'emballage, y compris le support en polystyrène situé sous la machine à laver. Déplacez l'appareil à moins de 1,2 m (4 pieds) de son emplacement final à l'aide d'un chariot de manutention large, et non d'un diable étroit, afin de ne pas endommager la pompe de vidange située à l'intérieur de l'ouverture du fond. L'appareil doit être en position verticale.

## 3. Repérer les boulons de transport



## 4. Retirer les boulons de transport de l'appareil



Desserrez les boulons à l'aide d'une clé de 12 mm (15/32 po). Faites glisser chaque boulon et entretoise vers le centre du trou. Retirez les boulons et les entretoises en plastique de l'arrière de l'appareil. Jetez les boulons et les entretoises.

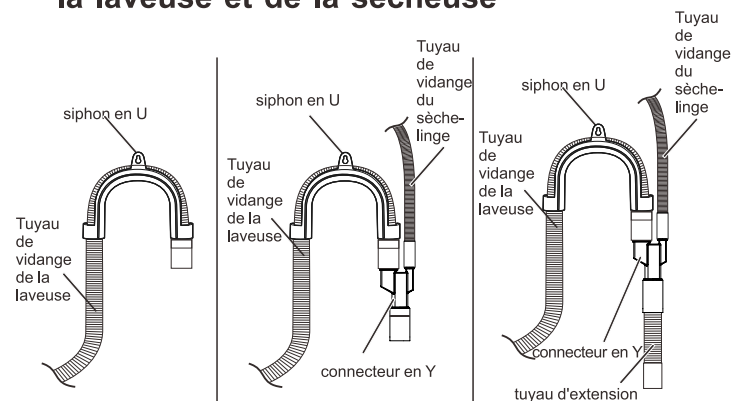
**IMPORTANT** : Ne pas brancher l'appareil avant que l'installation soit terminée.

## Connexion du tuyau d'évacuation

Le système d'évacuation peut être installé à l'aide d'un siphon de sol, d'un tuyau vertical mural, d'un tuyau vertical au sol ou d'une cuvette de buanderie. Sélectionnez la méthode dont vous avez besoin.

**IMPORTANT** : Pour éviter le siphonnage, seuls 114 mm (4,5 po) du tuyau de vidange doivent être insérés dans le tuyau vertical. Fixez toujours le tuyau d'évacuation à l'aide d'un serre-câble. Il est de la responsabilité de l'installateur d'installer et de sécuriser le tuyau d'évacuation dans la plomberie fournie, de manière à éviter tout risque de fuite ou de déconnexion.

## 5. Installer le coude en U, le connecteur en Y et le tuyau d'extension sur le tuyau de la laveuse et de la sécheuse



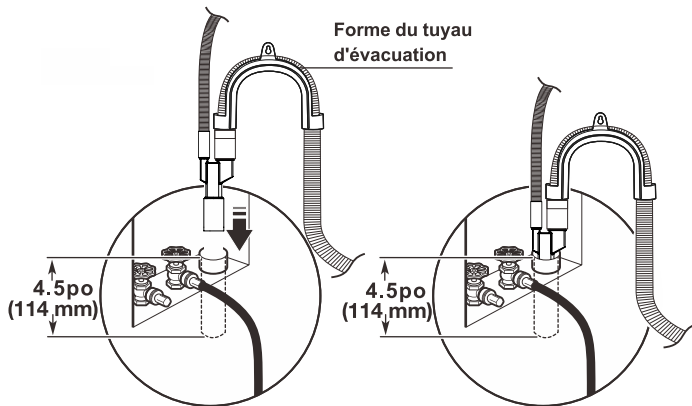
Installer un coude en U sur le tuyau de vidange de la laveuse

Installer le raccord en Y sur le tuyau de vidange de la laveuse et de la sécheuse

Installez le tuyau d'extension au raccord en Y uniquement si le tuyau d'évacuation est trop petit pour s'adapter au raccord en Y

Repérez les quatre boulons de transport à l'arrière de l'appareil.

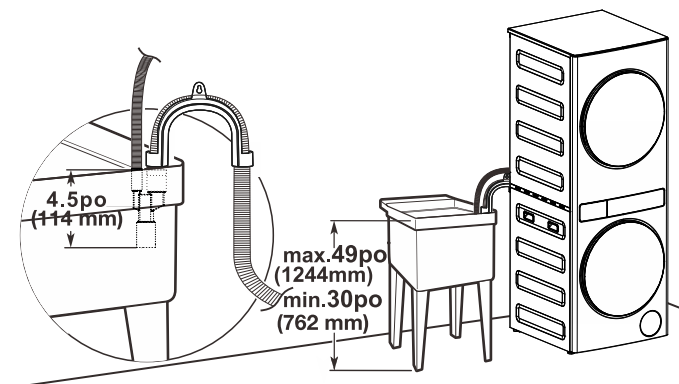
## 6. Système de drainage par tuyau mural



Placez le tuyau dans le tube de support (comme illustré sur la photo) ; le coude en U doit être utilisé. Ne pas utiliser le petit tuyau d'extension pour ce montage, sauf si le drain est inférieur à 2" (51 mm).

**IMPORTANT** : 4,5" (114 mm) du tuyau de drainage doivent être à l'intérieur du tuyau de soutien ; ne forcez pas de tuyau excédentaire dans celui-ci.

## 8. Système de drainage de la cuve à linge

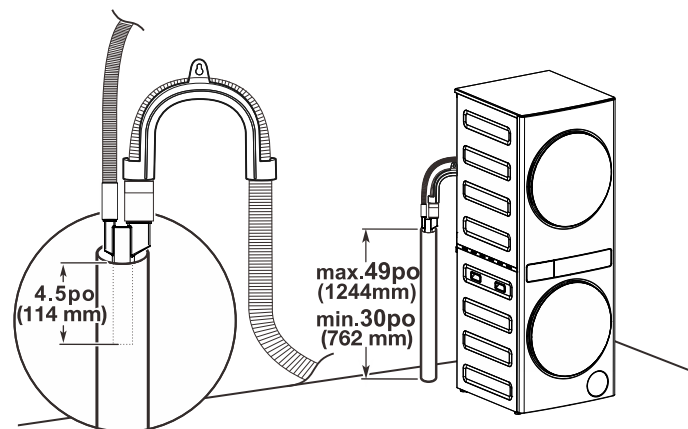


Placez l'tuyau sur le côté du bac à linge. L'encoche en U doit être utilisée. Ne pas utiliser le petit tuyau d'extension pour cette configuration.

Capacité minimale : 76 litres (20 gal). Le haut de la cuvette de buanderie doit être à au moins 762 mm (30po) du sol ; ne pas installer à plus de 1244 mm (49po) de la base de l'appareil.

**IMPORTANT** : Seulement 114 mm (4,5po) du tuyau de vidange doivent reposer sur le bord de la cuvette Ne pas poser le tuyau au fond de la cuvette.

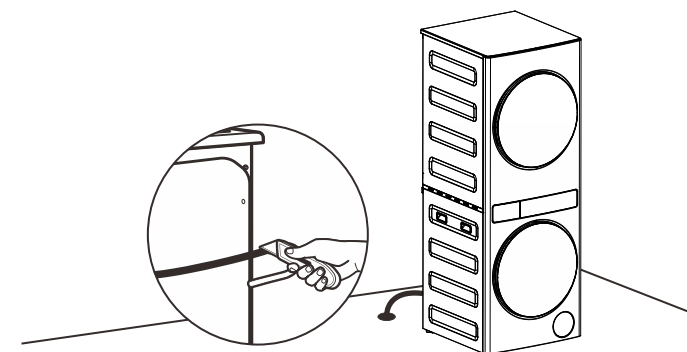
## 7. Système d'évacuation avec tuyau vertical au sol



N'utilisez pas le petit tuyau d'extension pour cette configuration. Diamètre minimal d'un tuyau d'évacuation au sol : 51 mm (2po) Capacité minimale d'évacuation : 64 litres (17 gal) par minute. Une trousse d'adaptation pour tuyau vertical est disponible diamètre de 6 mm à 25 mm (1/4po vers 1po) Le haut du tuyau vertical doit être à au moins 762 mm (30po) de hauteur, et ne pas dépasser 1244 mm (49po) depuis la base de l'appareil.

**IMPORTANT** : Seulement 114 mm (4,5po) du tuyau doivent être insérés dans le tuyau vertical ; Ne pas forcer un excès de tuyau dans le tuyau vertical

## 9. Système d'évacuation avec siphon au sol



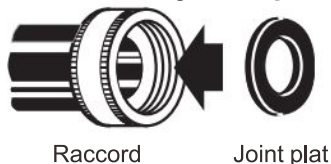
Retirez le coude en U à l'extrémité du tuyau d'évacuation en coupant le tuyau à cet endroit, comme illustré sur l'image ci-dessus.

**REMARQUE** : Coupez le tuyau de manière à ce que pas plus de 114 mm (4,5po) soient insérés dans le siphon au sol, afin d'éviter le siphonnage.

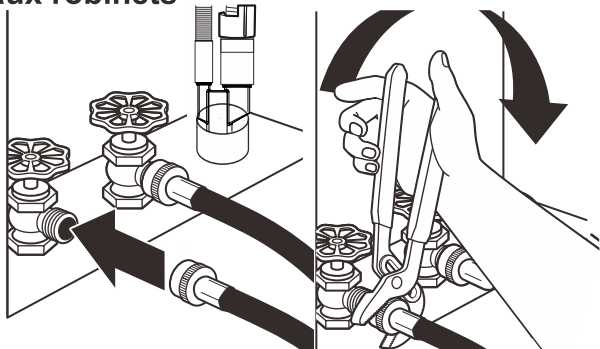
## Connexion des tuyaux d'arrivée d'eau

**IMPORTANT :** Pour éviter les fuites, vérifiez que vos tuyaux d'arrivée d'eau sont munis de joints plats à chaque extrémité. La laveuse doit être raccordée aux robinets d'eau avec des tuyaux neufs munis de joints plats (non fournis). Ne pas utiliser de tuyaux anciens. Ne pas utiliser de tuyaux sans joints.

### 10. Insérer les nouveaux joints plats



### 11. Raccorder les tuyaux d'arrivée d'eau aux robinets



**IMPORTANT :** Ne pas trop serrer ni utiliser de ruban ou de produit d'étanchéité sur les vannes lors du raccordement aux robinets ou à la laveuse. Cela pourrait endommager les composants.

Fixez le tuyau marqué « chaud » au robinet d'eau chaude. Vissez le raccord à la main jusqu'à ce qu'il soit bien en place sur le joint plat. Utilisez une pince réglable pour serrer le raccord de deux tiers de tour supplémentaires. Répétez cette étape avec le tuyau marqué « froid » pour le robinet d'eau froide. Les deux tuyaux doivent être raccordés pour que la laveuse fonctionne correctement.

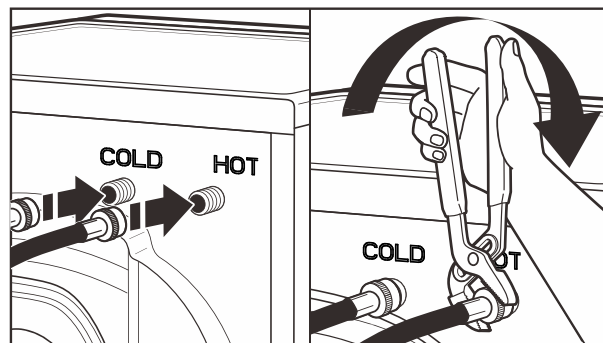
**ASTUCE UTILE :** Notez quel tuyau est raccordé à l'eau chaude pour faciliter le raccordement correct à la laveuse. Dans la plupart des configurations standards, les tuyaux se croisent lorsqu'ils sont correctement installés.

### 12. Purger les conduites d'eau



Faites couler l'eau pendant quelques secondes dans les tuyaux dans une cuvette de buanderie, un tuyau de vidange ou un seau pour éviter les obstructions. L'eau doit couler jusqu'à devenir claire.

### 13. Raccorder les tuyaux d'arrivée d'eau à la tour

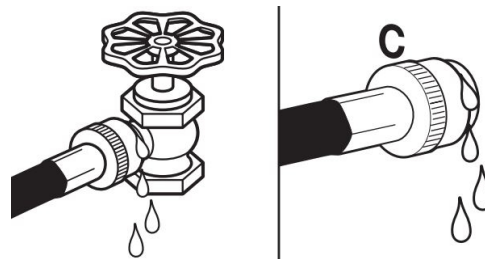


**IMPORTANT :** Pour réduire le risque de défaillance des tuyaux, remplacez les tuyaux tous les 5 ans. Notez les dates d'installation ou de remplacement des tuyaux pour référence ultérieure.

- Ne pas trop serrer les tuyaux ni utiliser de ruban ou de produit d'étanchéité sur la vanne. Cela peut endommager les vannes.
- Inspectez régulièrement les tuyaux et remplacez-les s'ils présentent des gonflements, des plis, des coupures, de l'usure ou des fuites.

Fixer le tuyau d'eau chaude à la vanne d'entrée d'eau chaude. Visser le raccord à la main jusqu'à ce qu'il soit bien ajusté. Utilisez une pince réglable pour serrer le raccord de deux tiers de tour supplémentaires. Répétez l'opération avec la vanne d'arrivée d'eau froide.

### 14. Vérifier les fuites



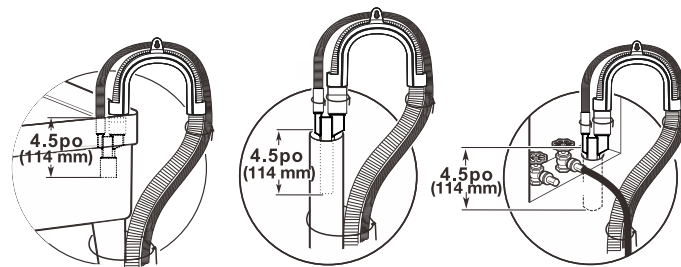
Ouvrez lentement les robinets pour vérifier l'absence de fuites. Une petite quantité d'eau peut entrer dans la laveuse. Elle sera évacuée plus tard.

### 15. Fixer le tuyau d'évacuation

Baignoire à linge

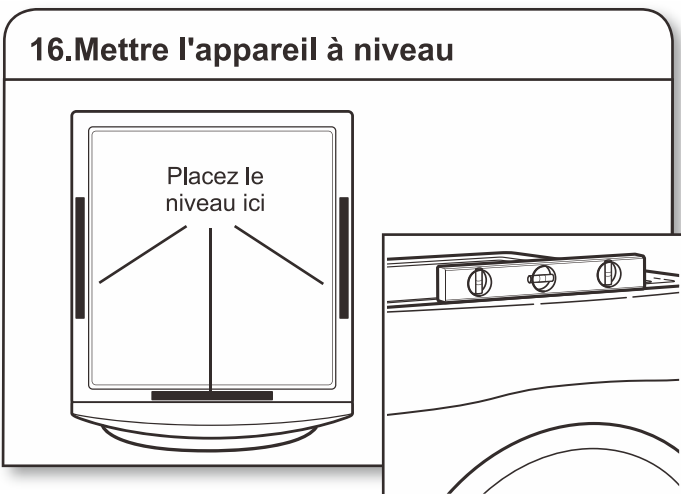
Tuyau d'arrêt

Mur



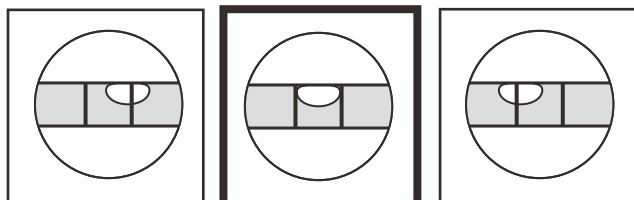
Fixez le tuyau de vidange à un pied de cuvette de buanderie, à un tuyau de vidange vertical ou aux tuyaux d'arrivée d'eau pour un tuyau mural à l'aide d'un serre-câble ou d'une sangle à billes. Il est de la responsabilité de l'installateur d'installer et de sécuriser le tuyau d'évacuation dans la plomberie fournie, de manière à éviter tout risque de fuite ou de déconnexion.

## Mettre la tour à niveau



Vérifier la mise à niveau de l'appareil d'un côté à l'autre. Répétez l'opération de l'avant vers l'arrière.

**REMARQUE :** L'appareil doit être mis à niveau pour que le système de détection d'humidité fonctionne correctement. Si la pente vers l'avant de l'appareil dépasse 25 mm (1"), de l'eau peut s'écouler par l'avant du filtre.

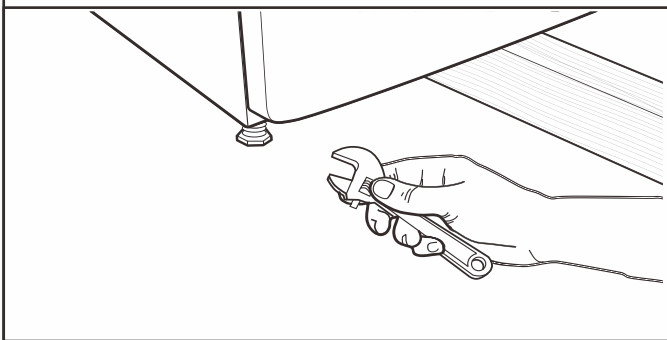


Pas à niveau

À niveau

Pas à niveau

## 17. Ajuster les pieds de nivellement



Si l'appareil n'est pas à niveau, soulevez-le à l'aide d'un bloc de bois, utilisez une clé pour ajuster les pieds vers le haut ou vers le bas, puis vérifiez à nouveau le niveau. Une fois l'appareil à niveau, assurez-vous que les quatre pieds sont bien en contact avec le sol et que l'appareil ne bouge pas.

## Exigences électriques – É.-U. uniquement

**Il est de votre responsabilité de :**

- Contacter un installateur électrique qualifié.
- S'assurer que le raccordement électrique est adéquat et conforme au *National Electrical Code, ANSI/NFPA 70* – dernière édition, ainsi qu'à tous les codes et règlements locaux. Le *National Electrical Code* exige un raccordement électrique à 4 fils pour les habitations construites après 1996, les circuits de tours modifiés après 1996, et toutes les installations dans les maisons mobiles. Une copie des normes mentionnées ci-dessus peut être obtenue auprès de : National Fire Protection Association, One Battery March Park, Quincy, MA 02269.
- Fournir l'alimentation électrique requise en 3 ou 4 fils, monophasée, 120/240 V, 60 Hz, courant alternatif uniquement (ou alimentation électrique 3 ou 4 fils, 120/208 V, si spécifié sur la plaque signalétique), sur un circuit séparé de 30 A, avec fusibles sur les deux lignes. Raccorder à une dérivation de circuit individuelle. Ne pas installer de fusible sur le circuit de neutre ou de mise à la terre.
- Ne pas utiliser de rallonge.
- Si les codes le permettent et qu'un fil de terre séparé est utilisé, il est recommandé qu'un électricien qualifié vérifie que le chemin de mise à la terre est adéquat.

### Raccordement électrique

Pour installer correctement votre appareil, vous devez déterminer le type de raccordement électrique que vous utiliserez et suivre les instructions correspondantes ci-dessous.

- Cet appareil est fabriqué prêt à être installé avec un raccordement électrique à 3 fils. Le conducteur de mise à la terre neutre est connecté de façon permanente au conducteur neutre (fil blanc) à l'intérieur de l'appareil. Si l'appareil est installé avec un raccordement électrique à 4 fils, le conducteur de mise à la terre neutre doit être retiré du connecteur de mise à la terre externe (vis verte), et fixé sous la borne neutre (fil central ou blanc) du bornier. Lorsque le conducteur de mise à la terre neutre est fixé sous la borne neutre (fil central ou blanc) du bornier, le châssis de l'appareil est isolé du conducteur neutre. Le fil de terre vert du cordon d'alimentation à 4 fils doit être fixé au châssis de l'appareil avec la vis verte de mise à la terre.
- Si les codes locaux ne permettent pas la connexion d'un fil de mise à la terre neutre au fil neutre, voir la section « Mise à la terre externe optionnelle pour raccordement à 3 fils ».
- Un raccordement électrique à 4 fils doit être utilisé lorsque l'appareil est installé dans un endroit où la mise à la terre par le conducteur neutre est interdite. La mise à la terre par le neutre est interdite pour : (1) les nouvelles installations de circuits dérivés après 1996, (2) les maisons mobiles, (3) les véhicules récréatifs, et (4) les zones où les codes locaux interdisent la mise à la terre par les conducteurs neutres.

### Si vous utilisez un cordon d'alimentation :

Utilisez une trousse de cordon d'alimentation homologuée UL conçue pour les sècheuses. La trousse doit contenir :

- Un cordon d'alimentation de 30 A homologué UL, avec une tension nominale minimale de 120/240 V. Le cordon doit être de type SRD ou SRDT et mesurer au moins 1,22 m (4 pieds). Les fils de connexion côté appareil doivent se terminer par des cosses annulaires ou des cosses plates à extrémité relevée.
- Un serre-câble homologué UL.

## Si votre prise ressemble à ceci :



Prise à 4 fils  
(14-30R)

Choisir un cordon d'alimentation à 4 fils avec cosse annulaire ou fourches et serre-câble homologué UL. Le cordon d'alimentation à 4 fils, d'au moins 1,22 m (4 pi), doit comporter quatre fils de cuivre de calibre 10 et correspondre à une prise à 4 fils de type NEMA 14-30R. Le fil de terre (conducteur de mise à la terre) peut être vert ou nu. Le conducteur neutre doit être identifié par une gaine blanche.



Prise à 3 fils  
(10-30R)

Choisir un cordon d'alimentation à 3 fils avec cosse annulaire ou fourches et serre-câble homologué UL. Le cordon d'alimentation à 3 fils, d'au moins 1,22 m (4 pi), doit comporter trois fils de cuivre de calibre 10 et correspondre à une prise à 3 fils de type NEMA 10-30R.

## Si le raccordement est effectué par câblage direct :

Le câble d'alimentation doit correspondre à l'alimentation (4 fils ou 3 fils) et être :

- Un câble blindé flexible ou un câble de cuivre gainé non métallique (avec fil de terre), recouvert d'une gaine métallique flexible. Tous les fils conducteurs de courant doivent être isolés.
- Fil de cuivre massif de calibre 10 (ne pas utiliser d'aluminium), d'au moins 1,52 m (5 pi).

### INSTRUCTIONS DE MISE À LA TERRE

- **Pour un appareil avec cordon d'alimentation et mise à la terre :** Cet appareil doit être mis à la terre. En cas de dysfonctionnement ou de panne, la mise à la terre réduit le risque de choc électrique en fournissant un chemin de moindre résistance pour le courant électrique. Cet appareil utilise un cordon doté d'un conducteur de mise à la terre et d'une fiche de mise à la terre. La fiche doit être branchée dans une prise appropriée, correctement installée et mise à la terre conformément à tous les codes et règlements locaux.
- **Pour un appareil raccordé de façon permanente :** Cet appareil doit être raccordé à un système de câblage métallique permanent mis à la terre, ou un conducteur de mise à la terre doit être acheminé avec les conducteurs du circuit et connecté à la borne ou au fil de mise à la terre de l'appareil.

**AVERTISSEMENT :** un raccordement incorrect du conducteur de mise à la terre peut entraîner un risque de choc électrique. Consultez un électricien qualifié ou un technicien de maintenance si vous avez un doute sur la mise à la terre correcte de l'appareil. Ne modifiez pas la fiche du cordon d'alimentation : si elle ne s'adapte pas à la prise, faites installer une prise appropriée par un électricien qualifié.

**CONSERVEZ CES INSTRUCTIONS**

## Exigences électriques – Canada seulement

### ⚠ AVERTISSEMENT



#### Risque de choc électrique

**Branchez sur une prise à 4 broches reliée à la terre.  
 Dans le cas contraire, il y a un risque de mort ou de choc électrique.**

## Il est de votre responsabilité de :

- Contacter un installateur électrique qualifié.
- S'assurer que le raccordement électrique est adéquat et conforme au Code canadien de l'électricité, C22.1 – dernière édition, ainsi qu'à tous les codes et règlements locaux. Une copie des normes mentionnées ci-dessus peut être obtenue auprès de : Canadian Standards Association, 178 Rexdale Blvd., Toronto, ON M9W 1R3 CANADA.
- Fournir l'alimentation électrique requise à 4 fils, monophasée, 120/240 V, 60 Hz, courant alternatif uniquement, sur un circuit séparé de 30 ampères, avec fusibles sur les deux lignes. Un fusible temporisé ou un disjoncteur est recommandé. Raccorder à une dérivation de circuit individuelle.
- Cet appareil est équipé d'un cordon d'alimentation certifié CSA International, conçu pour être branché sur une prise murale standard de type 14-30R. Le cordon mesure 1,52 m (5 pieds) de long. Assurez-vous que la prise de courant est accessible depuis l'emplacement final de la sècheuse.



Prise à 4 fils (14-30R)

- Ne pas utiliser de rallonge.  
Si vous utilisez un cordon d'alimentation de remplacement, il est recommandé d'utiliser la pièce de rechange numéro 8579325.  
Pour plus d'informations, veuillez consulter la section « Assistance ou service » du Guide d'utilisation et d'entretien.

### INSTRUCTIONS DE MISE À LA TERRE

- **Pour un appareil avec cordon d'alimentation et mise à la terre :** Cet appareil doit être mis à la terre. En cas de dysfonctionnement ou de panne, la mise à la terre réduit le risque de choc électrique en fournissant un chemin de moindre résistance au courant électrique. Cet appareil est équipé d'un cordon comportant un conducteur de mise à la terre et une fiche de mise à la terre. La fiche doit être branchée dans une prise appropriée, correctement installée et mise à la terre conformément à tous les codes et règlements locaux.

**AVERTISSEMENT :** Un raccordement incorrect du conducteur de mise à la terre de l'équipement peut entraîner un risque de choc électrique. Consultez un électricien qualifié ou un technicien de maintenance si vous avez un doute sur la mise à la terre correcte de l'appareil. Ne modifiez pas la fiche fournie avec l'appareil : si elle ne s'adapte pas à la prise de courant, faites installer une prise appropriée par un électricien qualifié.

**CONSERVEZ CES INSTRUCTIONS**

# Installation électrique – É.-U. uniquement

## ⚠ AVERTISSEMENT



### Risque d'incendie

Utilisez un cordon d'alimentation neuf homologué UL de 30 ampères.

Pour un branchement direct, utilisez un fil de cuivre de calibre 10.

Utiliser un serre-câble homologué UL.

Coupez l'alimentation avant d'effectuer les branchements électriques.

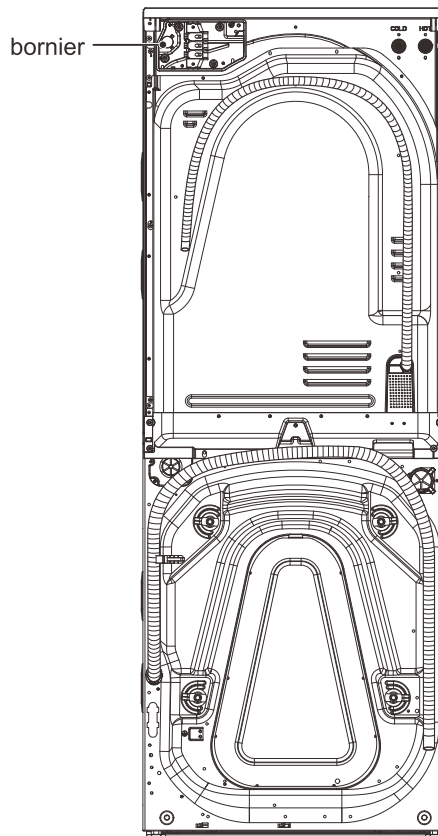
Connectez le fil neutre (blanc ou fil central) à la borne centrale. Pour un branchement direct, utilisez un fil de cuivre de calibre 10.

Le fil de mise à la terre (vert ou dénudé) doit être connecté au connecteur de mise à la terre vert.

Connectez les deux fils d'alimentation restants aux deux bornes restantes (dorées).

Serrez fermement toutes les connexions électriques.

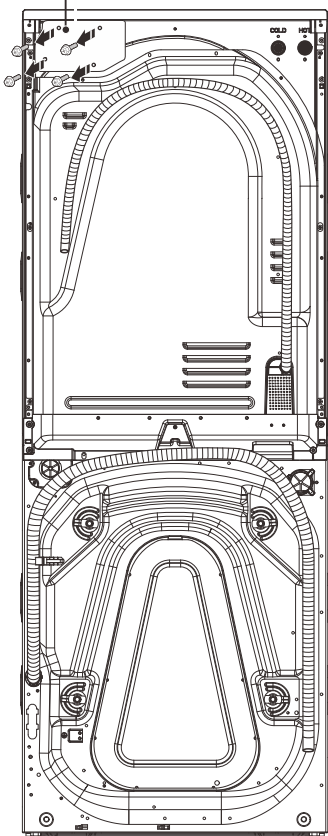
Le non-respect de ceci peut entraîner la mort ou un choc électrique.



### 1. Couper l'alimentation

### 2. Retirer le couvercle du bornier

couvercle du bornier



### 3. Choisir le type de connexion électrique



**Cordon d'alimentation – Prise à 4 fils (NEMA Type 14-30R) :** Reportez-vous à « Connexion d'alimentation à 4 fils ».



**Cordon d'alimentation – Prise à 3 fils (NEMA Type 10-30R) :** Reportez-vous à « Connexion d'alimentation à 3 fils ».



**Connexion directe à 4 fils :** Accédez à « Connexion filaire directe », puis à « Connexion directe à 4 fils ».



**Connexion directe à 3 fils :** Accédez à « Connexion filaire directe », puis à « Connexion directe à 3 fils ».

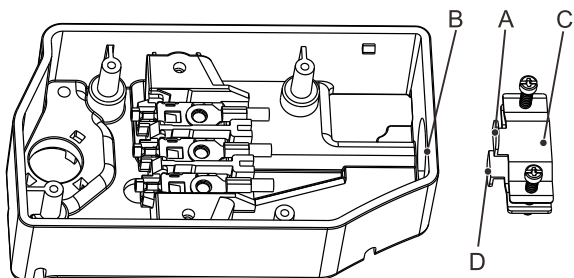
**REMARQUE :** Si les codes locaux n'autorisent pas la connexion du conducteur de mise à la terre du boîtier au fil neutre, consultez la section « Connexion optionnelle à 3 fils ». Cette connexion peut être utilisée avec un cordon d'alimentation ou une connexion directe.

Retirez la vis de maintien et le couvercle du bornier.

## Connexion du cordon d'alimentation

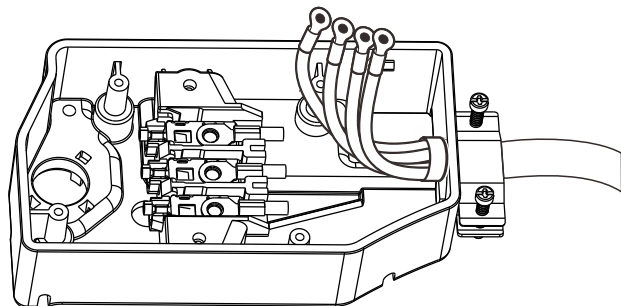
### Serre-câble du cordon d'alimentation

#### 1. Fixer le serre-câble du cordon d'alimentation



Retirer les vis d'un serre-câbles homologué UL de 3/4 po (19 mm) UL (inscription UL sur le serre-câbles). Placer les languettes des deux moitiés de pince (C) dans le trou sous l'ouverture du bornier (B), de sorte qu'une d'entre elles pointe vers le haut (A) et l'autre vers le bas (D). Maintenir en place. Serrer les vis du serre-câbles juste assez pour maintenir ensemble les deux moitiés de pince (C).

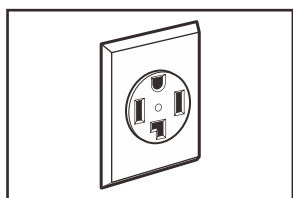
#### 2. Fixer le cordon d'alimentation au serre-câble



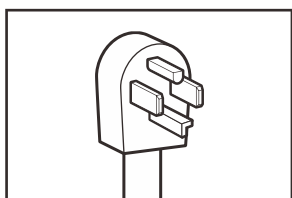
Passer le cordon d'alimentation à travers le serre-câbles. Vérifier que la gaine d'isolation du cordon d'alimentation rentre à l'intérieur du serre-câbles. Le serre-câbles doit être bien relié à la caisse de la sècheuse et se trouver en position horizontale. Serrer la vis du serre-câbles autour du cordon d'alimentation. Ne pas serrer excessivement les vis du serre-câbles.

### Connexion d'alimentation à 4 fils

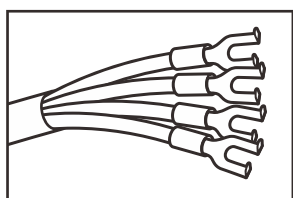
**IMPORTANT** : Une connexion à 4 fils est requise pour les maisons mobiles et lorsque les codes locaux n'autorisent pas l'utilisation de connexions à 3 fils.



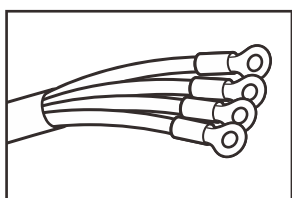
Prise 4 fils  
(NEMA type 14-30R)



fiche à 4 broches

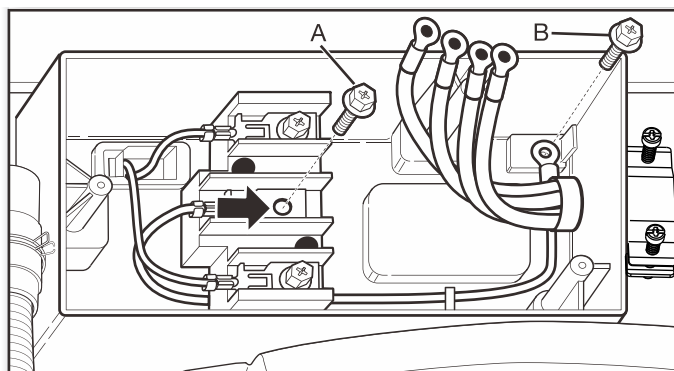


Cosses à fourche avec extrémités retournées



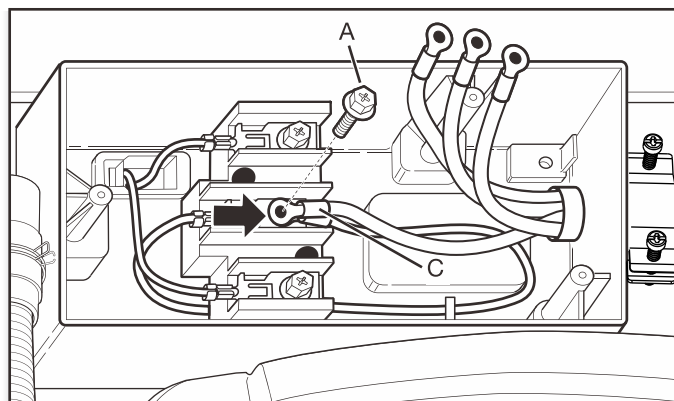
Cosses à anneau

#### 3. Préparer la connexion du fil neutre



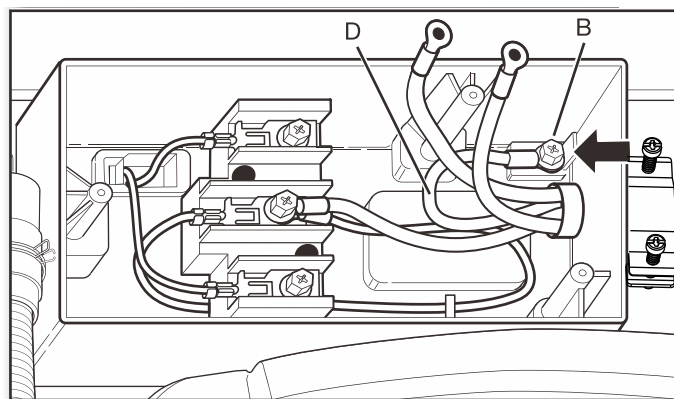
Retirez la vis centrale du bornier (A) et la vis du conducteur de mise à la terre externe (verte) (B).

#### 4. Connecter le fil neutre



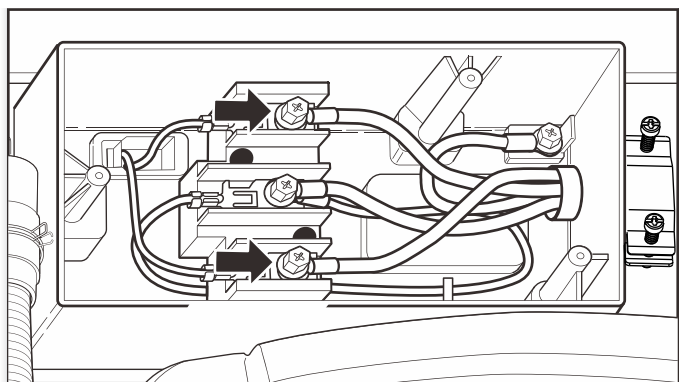
Repliez le fil de mise à la terre blanc sur lui-même et connectez-le, ainsi que le fil neutre (blanc ou central) (C) du cordon d'alimentation, sous la vis centrale du bornier (A). Serrez la vis.

#### 5. Connecter le fil de terre



Connectez le fil de terre (D) (vert ou nu) du cordon d'alimentation sous la vis verte du conducteur de mise à la terre externe (B). Serrez la vis.

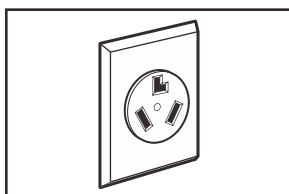
## 6. Connecter les fils restants



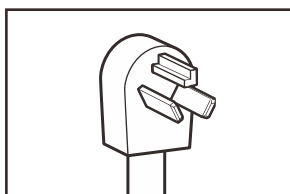
Connectez les fils restants sous les vis extérieures du bornier. Serrez les vis et également les vis du serre-câble. Enfin, installez le couvercle du boîtier de raccordement et fixez-le avec les trois vis. Ensuite, allez à « Cheminement du tuyau d'évacuation ».

### Connexion d'alimentation à 3 fils

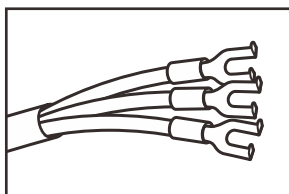
**IMPORTANT** : À utiliser là où les codes locaux autorisent la connexion du conducteur de terre de l'armoire au fil neutre.



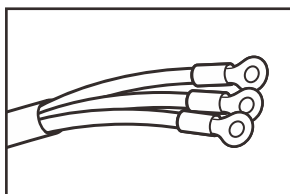
Prise à 3 fils  
(NEMA type 10-30R)



prise à 3 broches

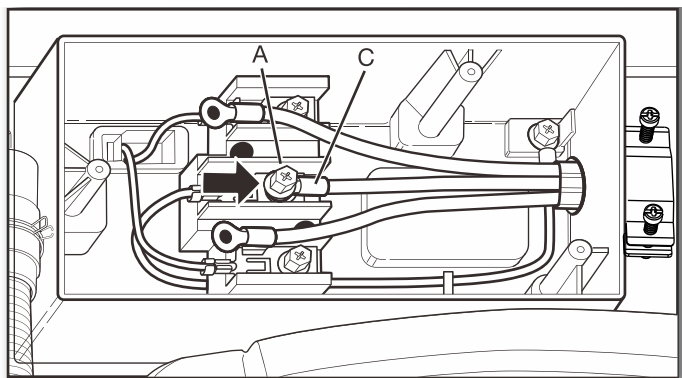


Cosses à fourche avec  
extrémités retournées



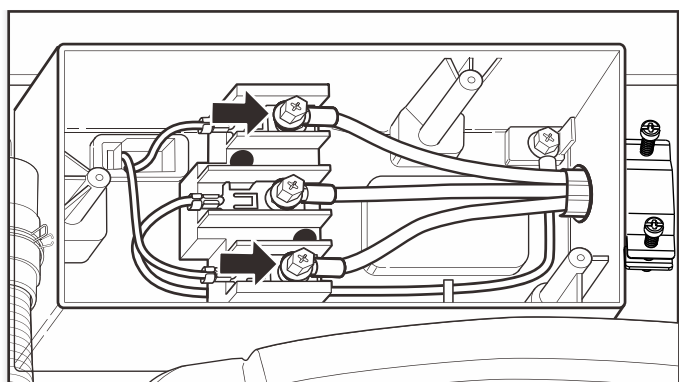
Cosses à anneau

## 3. Connecter le fil neutre (central)



Connectez le fil neutre (central) (C) du cordon d'alimentation sous la vis centrale du bornier (A). Serrez la vis.

## 4. Connecter les fils restants

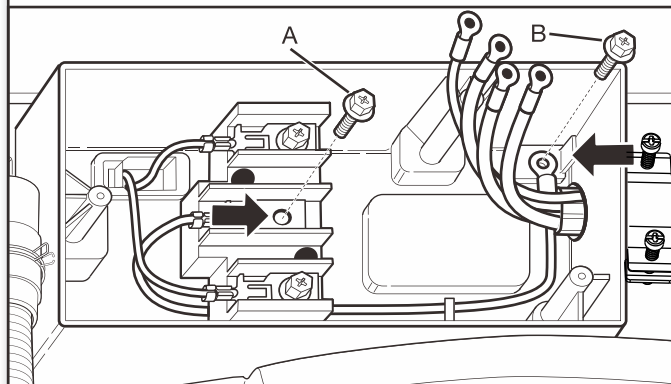


Connectez les fils restants sous les vis extérieures du bornier. Serrez les vis et également les vis du serre-câble. Enfin, installez le couvercle du bornier et fixez-le avec les trois vis. Ensuite, allez à « Cheminement du tuyau d'évacuation ».

## Mise à la terre externe facultative pour une connexion à 3 fils

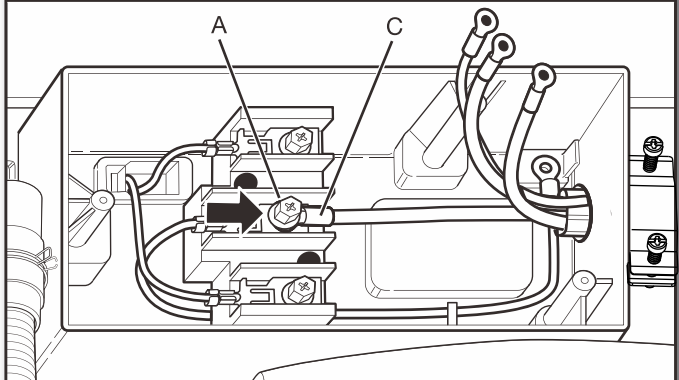
**IMPORTANT** : Vous devez vérifier avec un électricien qualifié que cette méthode de mise à la terre est acceptable avant de procéder au raccordement.

### 1. Préparer la connexion du fil neutre



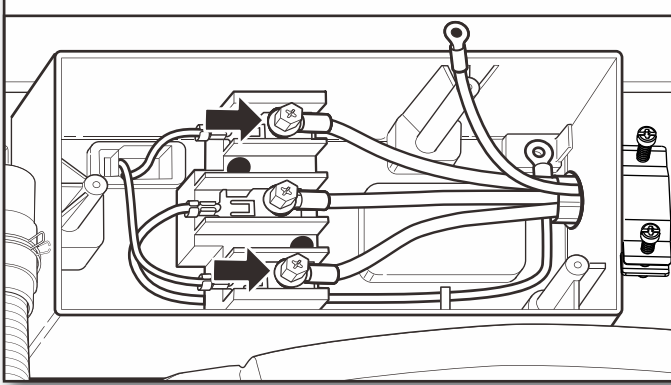
Retirez la vis centrale du bornier (A) et la vis du conducteur de mise à la terre externe (verte) (B).

### 2. Connecter le fil neutre



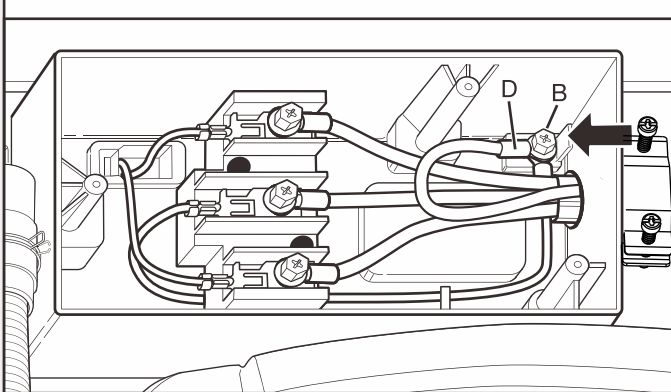
Connectez le fil neutre (central) (C) du cordon d'alimentation sous la vis centrale du bornier (A). Serrez la vis.

### 3. Connecter les fils restants



Placez les extrémités des fils restants sous les vis extérieures du bornier. Serrez les vis et serrez le serre-câble.

### 4. Connecter le fil de terre externe

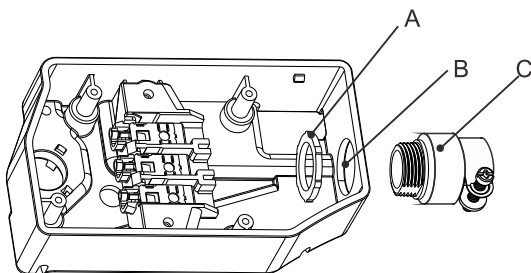


Connectez un fil de terre en cuivre séparé (D) sous la vis verte du conducteur de terre externe (B) vers une mise à la terre adéquate. Enfin, installez le couvercle du bornier et fixez-le avec les trois vis. Ensuite, allez à « Cheminement du tuyau d'évacuation »

## Connexion filaire directe

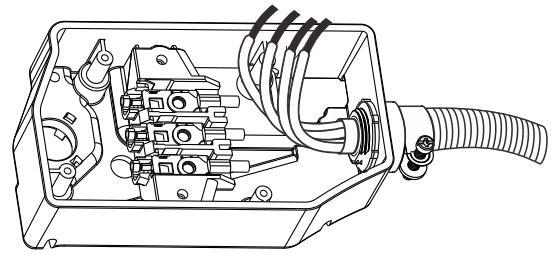
### Serre-câble direct

#### 1. Fixez le serre-câble direct



Utilisez le connecteur de conduit amovible (A) et les vis d'un serre-câble homologué UL de 19 mm (3/4") (marquage UL sur le serre-câble). Insérez la partie filetée du serre-câble dans le trou situé sous l'ouverture du bornier (B). En passant par l'ouverture du bornier, vissez le connecteur de conduit amovible (A) sur le filetage du serre-câble (C) et serrez fermement.

#### 2. Fixez le câble direct au serre-câble



Faites passer le câble direct dans le serre-câble. Ce dernier doit être bien ajusté à l'armoire du sèche-linge et en position horizontale. Serrez la vis du serre-câble contre le câble direct.

Pour une connexion directe à 4 fils, passez à l'étape 3.



Connexion directe à 4 fils : accédez à « Connexion directe à 4 fils ».

Pour une connexion directe à 3 fils, passez à l'étape 3.

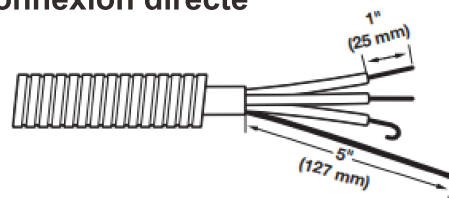


Connexion directe à 3 fils : accédez à « Connexion directe à 3 fils ».

#### Connexion directe à 4 fils

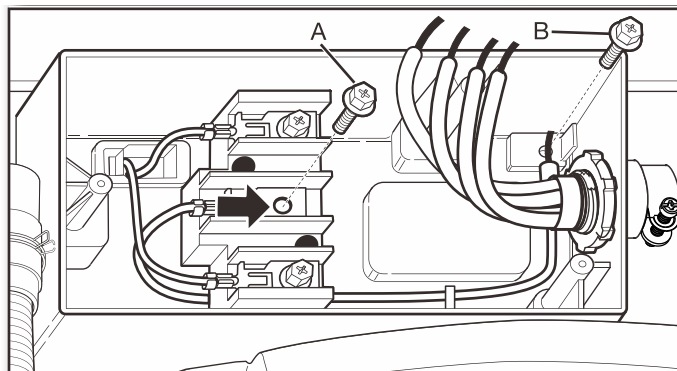
**IMPORTANT** : Une connexion à 4 fils est requise pour les mobil-homes et lorsque la réglementation locale n'autorise pas les connexions à 3 fils.

#### 3. Préparez votre câble à 4 fils pour une connexion directe



Le câble direct doit avoir une longueur supplémentaire de 1,52 m (5 pi) pour permettre le déplacement du sèche-linge si nécessaire. Dénudez 127 mm (5 po) de la gaine extérieure à l'extrémité du câble, en laissant le fil de terre dénudé à 127 mm (5 po). Coupez 38 mm (1 1/2 po) des 3 fils restants. Dénudez l'isolant sur 25 mm (1 po). Formez des crochets avec les extrémités des fils.

#### 4. Préparez-vous à connecter le fil neutre

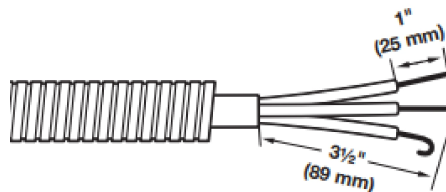


Retirez la vis du bornier central (A) et la vis du conducteur de terre externe vert (B).

#### Connexion directe à 3 fils

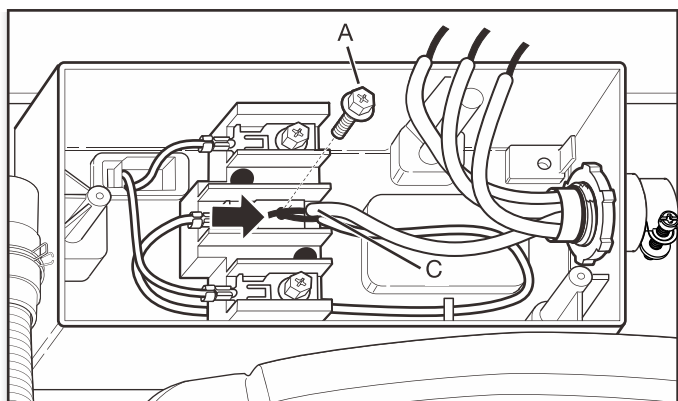
**IMPORTANT** : À utiliser là où les codes locaux autorisent la connexion du conducteur de terre de l'armoire au fil neutre.

#### 3. Préparez votre câble à 4 fils pour une connexion directe



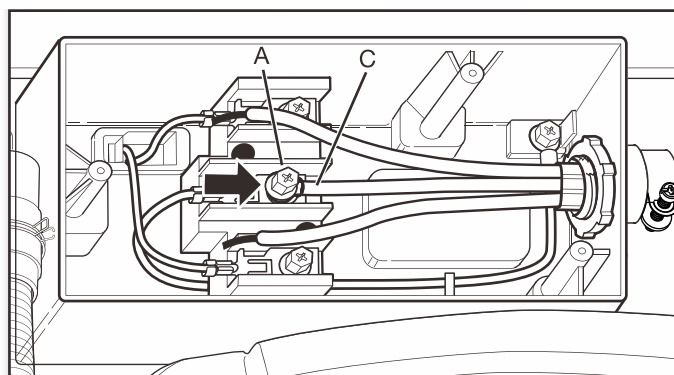
L'alimentation directe doit avoir une longueur supplémentaire de 1,52 m (5 pi) afin de pouvoir déplacer le sèche-linge si nécessaire. Dénudez 8,9 cm (3 1/2 po) de la gaine extérieure à l'extrémité de l'alimentation. Dénudez l'isolant sur 2,5 cm (1 po). Si vous utilisez une alimentation à 3 fils avec fil de terre, coupez le fil dénudé au ras de la gaine extérieure. Façonnez les extrémités des fils en crochets.

#### 5. Connectez le fil neutre



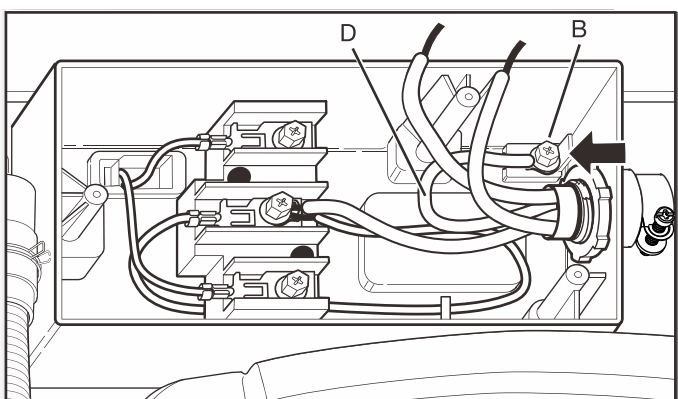
Remettez le fil de terre blanc en boucle et connectez-le au fil neutre (blanc ou central) (C) du fil direct sous la vis centrale du bornier (A). Serrez la vis.

#### 4. Connectez le fil neutre



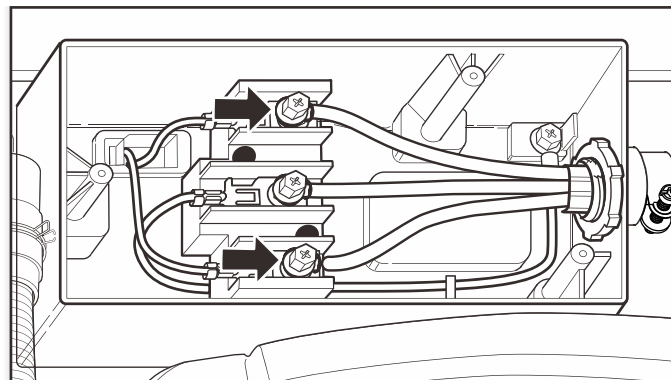
Connectez le fil neutre (central) (C) du fil direct sous la vis du bornier central (A). Serrez la vis.

#### 6. Connectez le fil de terre



Connectez le fil de terre (D) (vert ou nu) du fil direct sous la vis verte du conducteur de terre externe (B). Serrez la vis.

#### 5. Connectez les fils restants



Connectez les fils restants sous les vis du bornier extérieur. Vissez les vis et serrez également les vis du serre-câble. Enfin, installez le couvercle du bornier et fixez-le avec les trois vis. Maintenant, accédez à « Acheminement du tuyau de vidange ».

## Liste de contrôle d'installation complète

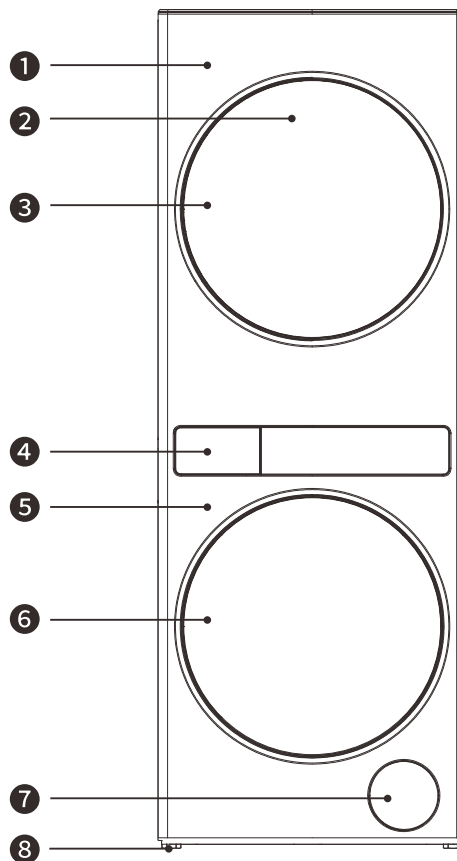
- Vérifiez les exigences électriques. Assurez-vous que l'alimentation électrique est correcte et que la méthode de mise à la terre recommandée est utilisée.
- Vérifiez que toutes les pièces sont maintenant installées. S'il reste une pièce en trop, revenez sur les étapes pour voir ce qui a été omis.
- Vérifiez que vous avez tous vos outils.
- Assurez-vous que tous les matériaux d'expédition ont été complètement retirés de l'appareil.
- Vérifiez que l'appareil est à niveau.
- Assurez-vous que les robinets d'eau sont ouverts.
- Vérifiez qu'il n'y a pas de fuites autour des robinets et des tuyaux d'arrivée.
- Retirez le film protecteur de la console et tout ruban restant sur l'appareil.
- Pour une installation avec cordon d'alimentation, branchez dans une prise mise à la terre. Pour une installation en fil direct, mettez l'alimentation sous tension.
- Jetez ou recyclez tous les matériaux d'emballage.
- Lisez la section « Entretien et maintenance ».
- Pour tester et nettoyer votre appareil, appuyez sur Marche, choisissez le cycle rapide et lancez-le sans vêtements. Utilisez uniquement du détergent HE. Utilisez la moitié de la quantité recommandée par le fabricant pour une charge de taille moyenne.

## VUE D'ENSEMBLE DU PRODUIT

### Caractéristiques du produit

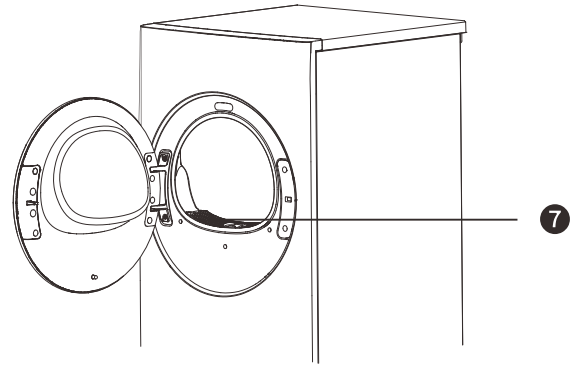
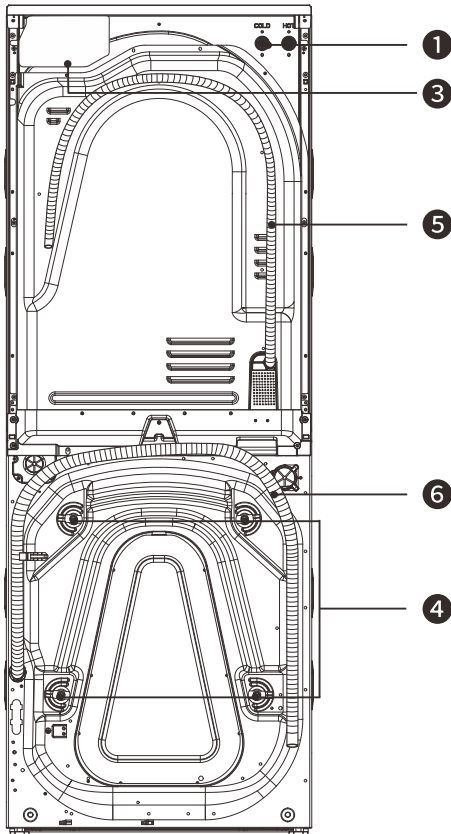
Les images de ce guide peuvent différer des composants et accessoires réels, qui sont susceptibles d'être modifiés par le fabricant sans préavis dans le cadre de l'amélioration du produit.

### Vue de face



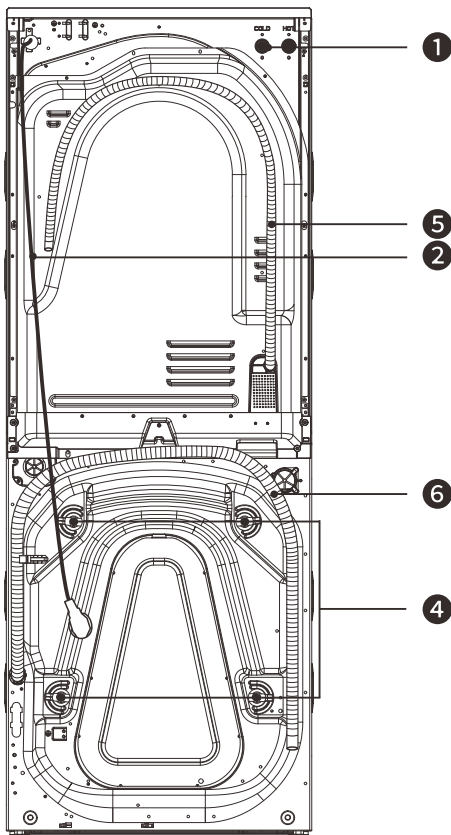
- |                                       |                       |                         |
|---------------------------------------|-----------------------|-------------------------|
| 1 Sécheuse                            | 2 Panneau de commande | 3 Hublot de la sècheuse |
| 4 Tiroir du distributeur de détergent | 5 Laveuse             | 6 Porte de la laveuse   |
| 7 Trappe du filtre de la pompe        | 8 Pieds réglables (4) |                         |

**Vue arrière :**



- 1 Vanne d'arrivée d'eau
- 2 Cordon d'alimentation
- 3 Bornier américain
- 4 Boulons de transport fixés (4)
- 5 Tuyau de vidange du sèche-linge
- 6 Tuyau de vidange du lave-glace
- 7 Filtre à peluches

Pour les modèles de borniers : WFH5424SJ & WFH5424SW



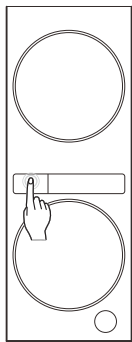
Pour les modèles : YWFH5424SJ & YWFH5424SW

# Distributeur Load&Go™

Manipulez le distributeur avec précaution. Évitez de tirer ou de pousser le distributeur de manière brusque lors de l'ouverture et de la fermeture.

## Comment ouvrir le distributeur de détergent

Appuyez légèrement sur le panneau avant et relâchez-le pour accéder au distributeur Load & Go™.



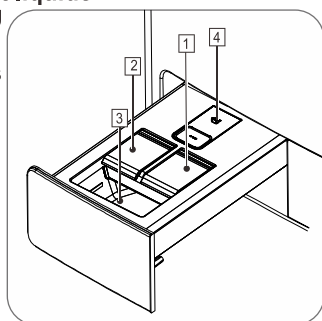
## Dosage automatique :

**IMPORTANT:** Utilisez uniquement de la lessive liquide haute efficacité et de l'adoucissant pour remplir les réservoirs de lessive « 1 » et « 2 » ; n'utilisez jamais de lessive en poudre. Cette machine n'est pas conçue pour être utilisée avec de l'eau de Javel. L'eau de Javel peut endommager la machine.

### 1. Réservoir 1 : Détergent liquide

- Détergent liquide générique OU
- Détergent liquide spécifique (ex. : pour la couleur, la laine, les vêtements de sport, etc.)

**IMPORTANT:** Le réservoir 1 (remplissage maximal : 800 ml) doit être utilisé uniquement pour la lessive liquide. N'ajoutez pas d'adoucissant dans ce compartiment.



### 2. Réservoir 2 : Adoucissant textile

- Adoucissant

**IMPORTANT:** L'assouplissant ne peut être ajouté au cycle de lavage qu'à l'aide du distributeur et de la fonction de dosage automatique. Ajoutez l'assouplissant dans le réservoir 2 (remplissage maximal : 400 ml) et appuyez sur le bouton « Adoucissant » pour activer/désactiver le dosage automatique. Consultez la section « Fonctions du dosage automatique » pour plus de détails.

## DOSAGE MANUEL :

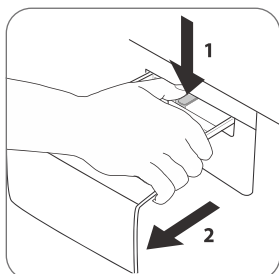
### 3. Compartiment à détergent pour dosage manuel

- Détergent en poudre ou liquide

Si vous utilisez du détergent en poudre, veillez à ne pas dépasser le repère « max » du compartiment.

### 4. Bouton de déverrouillage

Appuyez sur le bouton de déverrouillage et retirez délicatement le tiroir distributeur pour le nettoyer. Il est recommandé de nettoyer régulièrement le tiroir distributeur. Suivez les instructions détaillées, qui se trouvent dans la section « Entretien et maintenance ».

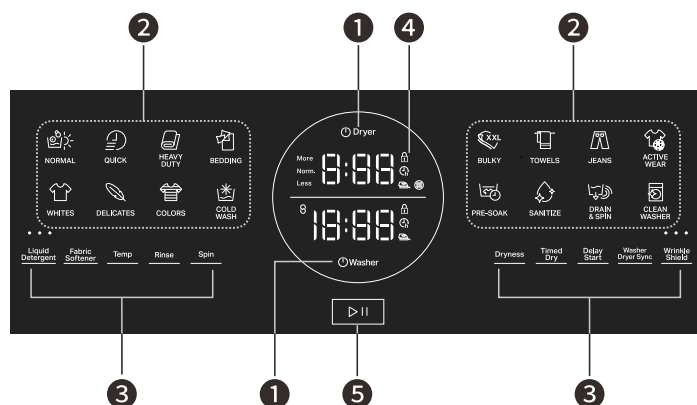


# MODE D'EMPLOI

## Panneau de commande

- La partie supérieure est le sèche-linge, et la partie inférieure est le lave-linge. Le sèche-linge et le lave-linge peuvent fonctionner indépendamment ou en même temps.
- Lorsque les deux sont allumés en même temps, la fenêtre d'affichage de celui actuellement sélectionné sera entièrement éclairée, et la fenêtre d'affichage de l'autre sera éclairée à moitié.
- Ce produit utilise des boutons tactiles pour les sections laveuse et sècheuse pour contrôler la sélection du cycle, les réglages de fonction, les modificateurs, la mise en marche et l'activation du démarrage/pause.
- Lors de la sélection des fonctions, si le bouton n'est pas éclairé, l'option correspondante n'est pas disponible. Si le bouton est partiellement éclairé, l'option peut être sélectionnée ou ajustée. Si le bouton est entièrement éclairé, la fonction est sélectionnée.

## Présentation du panneau de configuration (Toutes les icônes affichées) :



### 1 Touche Marche/Arrêt

- Maintenez enfoncé le bouton [Washer] ou [Dryer] pour allumer ou éteindre la laveuse ou la sècheuse.
- Si l'un des appareils est déjà allumé et que vous souhaitez activer l'autre, maintenez enfoncé le bouton « Marche/Arrêt » de la section inactive pour l'allumer. L'écran s'illuminera pour indiquer la section nouvellement activée.
- Lorsque les deux unités (supérieure et inférieure) sont allumées, appuyez sur la touche [Washer] ou [Dryer] pour basculer entre l'unité supérieure et l'unité inférieure. (Une fois le cycle terminé, la machine à laver ou le sèche-linge s'éteindra automatiquement au bout de 10 minutes.)

### 2 Bouton de sélection du cycle

- Sélectionnez le cycle de lavage et de séchage approprié, le modificateur et les paramètres pour vos articles. Il existe 16 cycles pour le lave-linge et 10 cycles pour le sèche-linge. Veuillez consulter le tableau des cycles pour plus de détails.
- Le cycle « NORMAL » est sélectionné par défaut. Vous pouvez changer de cycle en appuyant sur un autre bouton de cycle, ce qui sélectionnera et illuminera le bouton du cycle nouvellement sélectionné.
- Si un cycle est utilisé trois fois de suite, il sera sélectionné par défaut lors de la prochaine mise en marche de l'appareil.

### 3 Bouton de réglage de la fonction

#### Modificateurs optionnels de la laveuse

Liquid Detergent	Fabric Softener	Temp	Rinse	Spin
Delay Start	Washer Dryer Sync			

#### Modificateurs optionnels de la sècheuse

Dryness	Timed Dry	Wrinkle Shield
---------	-----------	----------------

Pour plus de détails sur ces modificateurs facultatifs, veuillez consulter la section Introduction aux fonctions du panneau.

### 4 vitrine

- Après la mise sous tension, il affiche le temps de cycle, les paramètres du modificateur, etc.
- Pendant le fonctionnement, il affiche le temps restant.
- En cas d'anomalie, il affiche le code d'erreur.

#### Icône de la fenêtre d'affichage

Verrouillage des hublots	Démarrage différé	Anti-froissement
Rappel de nettoyage du filtre	Synchro laveuse/sècheuse	

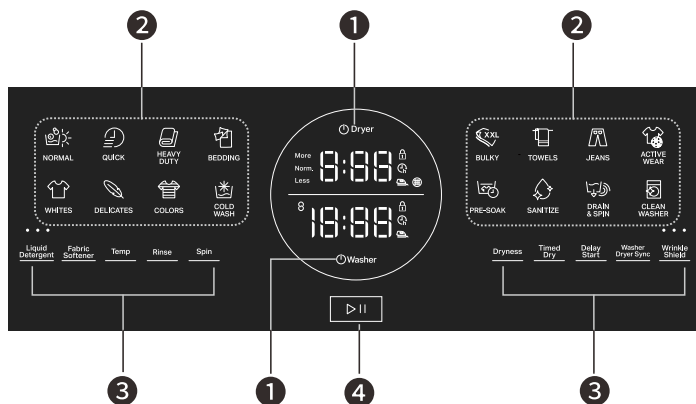
#### Fenêtre d'affichage - Aperçu des numéros et des codes

- Pendant le cycle, le temps restant du cycle est affiché.  
Exemple : Temps restant : 20 minutes.
- Pendant le processus de réglage des paramètres du cycle, les paramètres définis sont affichés.  
Exemple : Température de l'eau #5 (très chaude).
- Lors de l'utilisation de la fonction « Delay Start » (Démarrage différé), la durée avant le démarrage du cycle est affichée.  
Exemple : Le cycle va commencer dans 8 heures.
- Lorsqu'une situation anormale se produit, le code de défaut est affiché.  
Exemple : Aucune alimentation en eau.

### 5 Bouton Démarrer/Pause

- Appuyez sur ce bouton pour démarrer l'appareil. Une fois activé, maintenez le bouton enfoncé pour mettre l'appareil en pause.
- Après le démarrage, si aucune opération n'est effectuée pendant 30 secondes, l'appareil passe en mode veille. Appuyez sur le panneau de commande ou sur le bouton « Départ/Pause » pour accéder à d'autres interfaces de réglage.

## Utilisation du démarrage rapide (Toutes les icônes affichées)



#### Préparation au lavage

- Lors du chargement des vêtements dans le tambour de la laveuse, assurez-vous qu'aucun vêtement n'est coincé entre la porte et le joint en caoutchouc avant de fermer la porte.

#### Préparer le séchage

- Lors du chargement des vêtements dans le tambour de la laveuse, assurez-vous qu'aucun vêtement n'est coincé entre la porte et le panneau avant métallique avant de fermer la porte.

#### Utilisation du panneau de commande

- 1 Appuyez sur le bouton Marche/Arrêt pour allumer l'alimentation.
- 2 Sélectionnez le cycle en fonction de vos besoins.
- 3 Ajustez les paramètres du cycle ou choisissez les fonctions selon les besoins.
- 4 Appuyez sur le bouton Marche/Arrêt pour lancer le cycle et commencer le lavage/séchage.

#### Fin du lavage/séchage





- La laveuse/sècheuse émet un signal sonore de « fin ». Le témoin lumineux du filtre de la sècheuse « » clignote.
- À ce moment, l'éclairage du tambour de porte s'allumera automatiquement pendant 35 secondes et l'écran correspondant s'éteindra.
- Si vous ne retirez pas les vêtements dans les 15 minutes, l'appareil s'éteint automatiquement.



# Guide des cycles (Laveuse)

Les cycles et modificateurs affichés en gras sont les réglages par défaut pour chaque cycle de lavage. Pour un soin optimal des tissus, choisissez le cycle, les options et les réglages les mieux adaptés à la charge à laver. Lisez toujours les étiquettes d'entretien des textiles et les instructions des produits de lessive. Évitez de trop remplir la laveuse. Trop charger la laveuse empêche un bon rinçage et un essorage efficace. Tous les réglages ne sont pas disponibles pour chaque cycle, et certaines options peuvent être limitées.

**AVERTISSEMENT** : Pour réduire les risques d'incendie, de choc électrique ou de blessure, lisez les INSTRUCTIONS DE SÉCURITÉ IMPORTANTES figurant dans le manuel d'utilisation de votre appareil avant toute utilisation.

Articles à lave	Cycle	Température de lavage 1 (Froid du robinet) / 2 (Froid) / 3 (Tiède) / 4 (Chaud) / 5 (Extra Chaud)	Nombre de rinçage	Vitesse d'essorage ARRÊT (sans essorage) / 1 (très lente) / 2 (moyenne) / 3 (rapide)	Options de lavage (Les éléments en gras sont les options par défaut)
Articles normalement sales.	 NORMAL	Par défaut: <b>3</b> Range: 1-5	Par défaut: <b>1</b> Range: 1-6	Par défaut: <b>3</b>	démarrage différé : Activé ou <b>Désactivée</b> Distribution automatique du détergent liquide : <b>Activée</b> ou Désactivée Distribution automatique de l'assouplissant : <b>Activée</b> ou Désactivée Synchro laveuse/sécheuse : Activée ou <b>Désactivée</b>
Petites charges de tissu légèrement sales.	 QUICK	Par défaut: <b>3</b> Range: 1-4	Par défaut: <b>1</b> Range: 1-4	Par défaut: <b>2</b> Range: off-1-2-3	démarrage différé : Activé ou <b>Désactivée</b> Distribution automatique du détergent liquide : <b>Activée</b> ou Désactivée Synchro laveuse/sécheuse : Activée ou <b>Désactivée</b>
Articles très sales.	 HEAVY DUTY	Par défaut: <b>4</b> Range: 1-5	Par défaut: <b>2</b> Range: 2-6	Par défaut: <b>3</b> Range: off-1-2-3	démarrage différé : Activé ou <b>Désactivée</b> Distribution automatique du détergent liquide : <b>Activée</b> ou Désactivée Distribution automatique de l'assouplissant : <b>Activée</b> ou Désactivée Synchro laveuse/sécheuse : Activée ou <b>Désactivée</b>
Gros articles.	 BEDDING	Par défaut: <b>3</b> Range: 1-5	Par défaut: <b>2</b> Range: 2-6	Par défaut: <b>2</b> Range: off-1-2-3	démarrage différé : Activé ou <b>Désactivée</b> Distribution automatique du détergent liquide : <b>Activée</b> ou Désactivée Distribution automatique de l'assouplissant : <b>Activée</b> ou Désactivée Synchro laveuse/sécheuse : Activée ou <b>Désactivée</b>
Blancs.	 WHITES	Par défaut: <b>4</b> Range: 1-5	Default: <b>2</b> Range: 2-6	Default: <b>3</b> Range: off-1-2-3	démarrage différé : Activé ou <b>Désactivée</b> Distribution automatique du détergent liquide : <b>Activée</b> ou Désactivée Distribution automatique de l'assouplissant : <b>Activée</b> ou Désactivée Synchro laveuse/sécheuse : Activée ou <b>Désactivée</b>
Tissus en soie et mousseline.	 DELICATES	Par défaut: <b>2</b> Range: 1-5	Par défaut: <b>2</b> Range: 2-6	Par défaut: <b>1</b> Range: off-1-2-3	démarrage différé : Activé ou <b>Désactivée</b> Distribution automatique du détergent liquide : <b>Activée</b> ou Désactivée Distribution automatique de l'assouplissant : <b>Activée</b> ou Désactivée Synchro laveuse/sécheuse : Activée ou <b>Désactivée</b>


Articles à lave	Cycle	Température de lavage 1 (Froid du robinet) / 2 (Froid) / 3 (Tiède) / 4 (Chaud) / 5 (Extra Chaud)	Nombre de rinçage	Vitesse d'essorage ARRÊT (sans essorage) / 1 (très lente) / 2 (moyenne) / 3 (rapide)	Options de lavage (Les éléments en gras sont les options par défaut)
Vêtements aux couleurs vives ou qui se décolorent facilement.	 COLORS	Par défaut: <b>1</b> Plage: 1-2	Par défaut: <b>2</b> Plage: 2-4	Par défaut: <b>3</b> Plage: off-1-2-3	démarrage différé : Activé ou <b>Désactivée</b> Distribution automatique du détergent liquide : <b>Activée</b> ou Désactivée Synchro laveuse/sécheuse : Activée ou <b>Désactivée</b>
Articles peu sales. Le cycle utilise uniquement de l'eau froide pour économiser l'énergie.	 COLD WASH	Par défaut: <b>1</b>	Par défaut: <b>2</b> Plage: 2-6	Par défaut: <b>3</b> Plage: off-1-2-3	démarrage différé : Activé ou <b>Désactivée</b> Distribution automatique du détergent liquide : <b>Activée</b> ou Désactivée Distribution automatique de l'assouplissant : <b>Activée</b> ou Désactivée
Objets volumineux.	 BULKY	Par défaut: <b>3</b> Plage: 1-5	Par défaut: <b>2</b> Plage: 2-6	Par défaut: <b>2</b> Plage: off-1-2	démarrage différé : Activé ou <b>Désactivée</b> Distribution automatique du détergent liquide : <b>Activée</b> ou Désactivée Distribution automatique de l'assouplissant : <b>Activée</b> ou Désactivée Synchro laveuse/sécheuse : Activée ou <b>Désactivée</b>
Serviettes de bain, gants de toilette.	 TOWELS	Par défaut: <b>4</b> Plage: 1-5	Par défaut: <b>2</b> Plage: 2-6	Par défaut: <b>3</b> Plage: off-1-2-3	démarrage différé : Activé ou <b>Désactivée</b> Distribution automatique du détergent liquide : <b>Activée</b> ou Désactivée Distribution automatique de l'assouplissant : <b>Activée</b> ou Désactivée Synchro laveuse/sécheuse : Activée ou <b>Désactivée</b>
Gros articles en denim.	 JEANS	Par défaut: <b>2</b> Plage: 1-5	Par défaut: <b>2</b> Plage: 2-6	Par défaut: <b>1</b> Plage: off-1-2	démarrage différé : Activé ou <b>Désactivée</b> Distribution automatique du détergent liquide : <b>Activée</b> ou Désactivée Distribution automatique de l'assouplissant : Activée ou <b>Désactivée</b> Synchro laveuse/sécheuse : Activée ou <b>Désactivée</b>
Vêtements de sport.	 ACTIVE WEAR	Par défaut: <b>2</b> Plage: 1-4	Par défaut: <b>2</b> Plage: 2-6	Par défaut: <b>1</b> Plage: off-1-2-3	démarrage différé : Activé ou <b>Désactivée</b> Distribution automatique du détergent liquide : <b>Activée</b> ou Désactivée Distribution automatique de l'assouplissant : Activée ou <b>Désactivée</b> Synchro laveuse/sécheuse : Activée ou <b>Désactivée</b>
Prélavage uniquement, pas un cycle de lavage complet.	 PRE-SOAK	Par défaut: <b>2</b> Plage: 1-5	Par défaut: <b>1</b> Plage: 1	Par défaut: <b>1</b> Plage: off-1-2-3	démarrage différé : Activé ou <b>Désactivée</b> Distribution automatique du détergent liquide : <b>Activée</b> ou Désactivée
Articles grand teint très sales nécessitant une désinfection.	 SANITIZE	Par défaut: <b>5</b>	Par défaut: <b>3</b> Plage: 3-6	Par défaut: <b>3</b> Plage: off-1-2-3	démarrage différé : Activé ou <b>Désactivée</b> Distribution automatique du détergent liquide : <b>Activée</b> ou Désactivée Distribution automatique de l'assouplissant : <b>Activée</b> ou Désactivée

Articles à lave	Cycle	Température de lavage 1 (Froid du robinet) / 2 (Froid) / 3 (Tiède) / 4 (Chaud) / 5 (Extra Chaud)	Nombre de rinçage	Vitesse d'essorage ARRÊT (sans essorage) / 1 (très lente) / 2 (moyenne) / 3 (rapide)	Options de lavage (Les éléments en gras sont les options par défaut)
Pour les articles nécessitant uniquement l'essorage.	 DRAIN & SPIN	NA	Par défaut: <b>0</b> Plage: 0	Par défaut: <b>2</b> Plage: off-1-2-3	démarrage différé : Activé ou <b>Désactivée</b>
Nettoie les tambours intérieur et extérieur. Ne pas placer d'articles dans la machine pendant ce cycle.	 CLEAN WASHER	Par défaut: <b>5</b>	Par défaut: <b>2</b> Plage: 2	NA	démarrage différé : Activé ou <b>Désactivée</b>

**REMARQUE :** Tous les rinçages se font à froid.

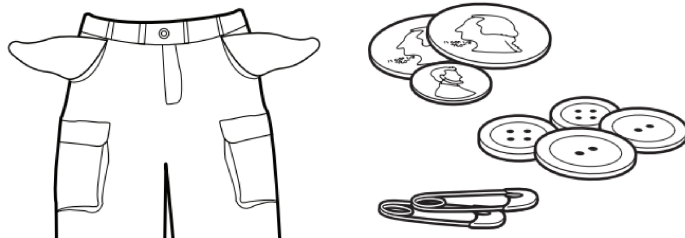
**REMARQUE :** Le cycle Normal est recommandé pour laver des vêtements en coton ou en lin normalement sales. Les certifications énergétiques gouvernementales de cette laveuse sont basées sur le cycle Normal/Ordinaire avec un essorage rincer 1, et toutes les températures de lavage proposées dans ce cycle. Cette laveuse a été testée comme un appareil à remplissage automatique contrôlé. Les cycles téléchargeables après achat peuvent consommer davantage d'énergie que le cycle Normal/Ordinaire, sur lequel est basé le classement énergétique de cette laveuse.

**⚠ AVERTISSEMENT**



**Risque d'incendie**

**Ne placez jamais dans la laveuse des articles humides avec de l'essence ou tout autre liquide inflammable. Aucune laveuse ne peut éliminer complètement les huiles. Ne pas sécher d'articles ayant été en contact avec un quelconque type d'huile (y compris les huiles de cuisson). Cela peut entraîner des risques de mort, d'explosion ou d'incendie.**



### Trier et préparer votre linge


- Triez les articles selon le cycle recommandé, la température de l'eau et la résistance des couleurs.
- Séparez les articles très sales des articles peu sales. Séparez les articles délicats des tissus résistants.
- Traitez les taches rapidement et vérifiez la résistance des couleurs en testant les produits détachants sur une couture intérieure.
- Videz les poches. La petite monnaie, les boutons ou tout petit objet peuvent bloquer les pompes et nécessiter une intervention technique.
- Fermez les fermetures éclair, attachez les crochets, nouez les cordons et ceintures, et retirez les ornements non lavables.
- Réparez les déchirures et les accrocs pour éviter d'endommager davantage les articles pendant le lavage.
- Lors du lavage d'articles imperméables ou résistants à l'eau, répartissez-les uniformément.
- Utilisez des filets de lavage pour éviter les nœuds avec les articles délicats ou de petite taille.
- Retournez les tricots pour éviter le boulochage. Séparez les tissus synthétiques, les tricots et le velours côtelé qui accumulent les peluches des serviettes, des tapis et des chenilles.
- Retirez rapidement les vêtements à la fin du cycle afin d'éviter les odeurs, de minimiser le froissement et de prévenir la rouille sur les crochets, fermetures éclair et boutons pression métalliques.
- Ne séchez pas les vêtements si des taches persistent après le lavage, car la chaleur peut fixer les taches dans le tissu.

**REMARQUE :** Lisez et suivez toujours les instructions figurant sur les étiquettes d'entretien des textiles pour éviter d'endommager vos articles.

# Présentation des fonctions du panneau de commande (Laveuse)

Après avoir sélectionné un cycle, vous pouvez ajouter les options suivantes si nécessaire :

## Fonctions de distribution automatique

Bouton	Liquid Detergent	Fabric Softener
Réglage	Distribution automatique de détergent pour le linge	Distribution automatique de l'assouplissant
Comment le configurer	<p>Appuyez sur le bouton pour sélectionner la quantité de détergent à distribuer au cours du cycle. Chaque pression modifie le nombre de voyants lumineux allumés. Le nombre de voyants correspond à la quantité de détergent comme suit :</p> 	<p>Touchez le bouton pour activer/désactiver la fonction de dosage automatique de l'assouplissant. Si le bouton est entièrement allumé, la fonction est activée. Si le bouton est à moitié allumé, la fonction est désactivée.</p>
Détails supplémentaires	<ul style="list-style-type: none"> <li>■ Les réglages varient selon les cycles. Si le cycle ne prend pas en charge la fonction de distribution automatique, le bouton ne s'allume pas.</li> <li>■ Avant d'activer la fonction de distribution automatique, vous devez vérifier qu'il y a suffisamment de détergent ou d'assouplissant dans le tiroir.</li> <li>■ Si l'écran affiche « FBE2 », cela signifie que le détergent ou l'assouplissant est insuffisant et doit être ajouté à temps.</li> <li>■ La fonction de distribution automatique mémorise par défaut le dernier état de fonctionnement.</li> </ul>	

## Température

1. Appuyez sur le bouton « Temp » et l'écran du lave-linge affichera la température de l'eau de lavage, de 1 (faible) à 5 (élevée). Réglez la température de l'eau en fonction des besoins et des instructions de lavage.
2. La plage de réglage de la température varie selon les cycles, et la sélection de température est limitée pour certains cycles.
3. Si l'affichage indique « -- » et que le bouton est à moitié allumé, cela signifie que la température de l'eau de lavage est à température normale.

## Rinçage

1. Appuyez sur le bouton « Rinse », et l'affichage de la laveuse indique le nombre de rinçages. Vous pouvez sélectionner le nombre de rinçages selon vos besoins.
2. Le réglage du nombre de rinçages varie selon les cycles et le nombre de rinçages est limité pour certains cycles.
3. Si l'affichage indique « -- » et que le bouton est à moitié allumé, cela signifie qu'il n'y a pas de rinçage.

## Essorage

1. Appuyez sur le bouton « Spin », et l'affichage de la laveuse indique la vitesse d'essorage. Vous pouvez sélectionner la vitesse d'essorage selon vos besoins.
2. La plage de réglage de la vitesse d'essorage varie selon les cycles, et certains cycles ont une vitesse d'essorage limitée.
3. L'écran affiche « -- » et le bouton est à moitié éclairé, ce qui indique que l'état d'essorage n'est pas actif.

## Démarrage différé

1. Après avoir allumé l'appareil, sélectionnez les cycles et options souhaités.
2. Appuyez sur le bouton « Delay Start » pour activer la fonction de démarrage différé. L'écran affiche le délai du démarrage différé, et l'icône de « Démarrage différé » clignote. Appuyez sur le bouton « Départ différé » pour accéder à l'heure de départ différé et la définir.
3. Le délai du démarrage différé se règle par intervalles d'une heure, jusqu'à un maximum de 24 heures. La position désactivée du démarrage différé est indiquée par « -- ».
4. Appuyez sur le bouton Démarrer/Pause pour lancer la fonction de démarrage différé.
5. Une fois le démarrage différé lancé, l'écran affiche le compte à rebours du temps de démarrage différé et l'icône de démarrage différé reste allumée.


### IMPORTANT :

- Une fois le démarrage différé activé, si vous devez modifier l'utilisation du démarrage différé, veuillez remettre l'appareil sous tension pour démarrer.
- Certains cycles ne peuvent pas bénéficier d'un démarrage différé.

## Synchro laveuse/sécheuse

Lorsque la fonction de liaison lavage-séchage est activée, la sécheuse démarre automatiquement en préchauffage avant la fin du cycle de lavage afin d'améliorer l'efficacité.

Mode d'emploi :

1. Avant la fin du cycle de lavage, appuyez sur le bouton « Washer Dryer Sync » pour activer la fonction. L'écran de la laveuse affiche l'icône «  ».
2. Lorsque le cycle de lavage est sur le point de se terminer, la sécheuse se met automatiquement en marche, et l'écran affiche l'effet d'animation « [ \_ ] » indiquant le préchauffage.
3. La sécheuse sélectionne automatiquement le cycle et les réglages correspondant à ceux de la laveuse. Appuyez sur le bouton Démarrer/Pause pour lancer le cycle.
4. Par défaut, la synchronisation utilise les mêmes cycles pour la laveuse et la sécheuse.
5. Si vous sélectionnez un autre cycle de séchage durant le préchauffage ou à la fin du préchauffage, la fonction Synchro laveuse/sécheuse est automatiquement désactivée.
6. Si le linge reste dans la laveuse plus de 15 minutes, l'appareil s'éteint automatiquement.

## Ajout de linge

Utilisé pour ajouter des vêtements dans la laveuse durant le processus de lavage. Une fois le cycle démarré, le hublot se verrouille automatiquement et ne peut pas être ouvert. Appuyez sur le bouton Démarrer/Pause. Lorsque le voyant de verrouillage du hublot s'éteint, le hublot est déverrouillé et peut être ouvert pour ajouter du linge dans le tambour. Après avoir ajouté les vêtements, fermez le hublot, appuyez à nouveau sur Démarrer/Pause, et le cycle reprend.

- Pour éviter les débordements d'eau ou les brûlures, la fonction d'ajout en cours de cycle n'est pas disponible lorsque le niveau d'eau ou la température dans le tambour est élevé.
- Forcer l'ouverture du hublot peut entraîner des dommages aux composants, des risques de sécurité, etc.
- S'il y a beaucoup de mousse ou d'eau dans le tambour, après ouverture du hublot, pour éviter tout débordement, veuillez utiliser une serviette sèche pour absorber l'excès en plaçant en dessous

## Désactivation du signal de fin

À la fin du cycle, la laveuse émet par défaut un signal sonore pour indiquer que vous pouvez dès lors retirer le linge. Si vous ne souhaitez pas entendre ce signal, vous pouvez par réglage le désactiver. Le réglage sera mémorisé lors de la prochaine mise sous tension de l'appareil.

Méthode de réglage/désactivation :

- Allumez d'abord l'appareil, puis maintenez le bouton Démarrer/Pause enfoncé pendant 3 secondes. L'écran affiche « OFF » et le signal de fin est désactivé. Répétez l'opération pour le réactiver et l'écran affiche « ON ».

## Économie d'énergie

Lorsque cette fonction est utilisée, le panneau de contrôle passe automatiquement en mode d'économie d'énergie 30 secondes après le démarrage et hors état de pause. L'interface peut être réveillée en appuyant sur le bouton.

## Mémorisation du cycle fréquemment utilisé

Lors du premier démarrage de l'appareil, le cycle par défaut est NORMAL. Ensuite, selon vos habitudes, le cycle que vous avez utilisé trois fois consécutives récemment est automatiquement sélectionné comme cycle par défaut au prochain démarrage.

## Ouverture automatique du hublot











- Un appui long sur le bouton « Delay Start » permet d'activer la fonction d'ouverture automatique du hublot, qui ouvre automatiquement le hublot à la fin du cycle.
- Cette fonction est disponible pour la laveuse et la sécheuse.
- La fonction ne peut pas être activée pendant que l'appareil est en fonctionnement.
- L'ouverture automatique du hublot vise à prévenir la formation de mauvaises odeurs.

# Guide des cycles (Sécheuse)

Les cycles et modificateurs affichés en gras sont les réglages par défaut pour chaque cycle de séchage. Pour un soin optimal des tissus, choisissez le cycle, les options et les réglages les mieux adaptés à la brassée à sécher. Lisez toujours les étiquettes d'entretien des textiles et les instructions des produits de séchage. Évitez de trop remplir la sécheuse. Tous les réglages ne sont pas disponibles pour chaque cycle, et certaines options peuvent être limitées.

Pour maximiser les économies d'énergie et prendre soin des tissus, utilisez les cycles automatiques. Ces cycles mesurent la température de l'air de séchage et le taux d'humidité afin d'arrêter automatiquement la sécheuse une fois le niveau de séchage sélectionné atteint. Les performances de la sécheuse peuvent varier si la tension d'alimentation est inférieure à 240V.

**AVERTISSEMENT** : Pour réduire les risques d'incendie, de choc électrique ou de blessure, lisez les INSTRUCTIONS DE SÉCURITÉ IMPORTANTES figurant dans le manuel d'utilisation de votre appareil avant toute utilisation.

Articles à sécher	Cycle	Niveau de séchage 1–3	Séchage minuté (par tranches de 10 minutes)	Anti-froissement
Des vêtements normaux, de tous les jours.	 NORMAL	séchage normal (plus-normal-moins)	● 20-210	● 0/3h/6h
Charges et vêtements plus petits.	 QUICK	○	○	● 0/3h/6h
Pour les articles plus volumineux et plus lourds.	 HEAVY DUTY	séchage normal (plus-normal-moins)	● 20-210	● 0/3h/6h
Articles de literie.	 BEDDING	séchage normal (plus-normal-moins)	● 20-210	● 0/3h/6h
Tissus blancs.	 WHITES	séchage normal (plus-normal-moins)	● 20-210	● 0/3h/6h
Articles délicats.	 DELICATES	séchage normal	● 20-210	● 0/3h/6h
Gros articles.	 BULKY	séchage normal (plus-normal-moins)	● 20-210	● 0/3h/6h
Serviettes et gants de toilette.	 TOWELS	séchage normal (plus-normal-moins)	● 20-210	● 0/3h/6h
Jeans et articles en denim plus grands.	 JEANS	séchage normal (plus-normal-moins)	● 20-210	● 0/3h/6h
Vêtements de sport.	 ACTIVE WEAR	séchage normal (plus-normal-moins)	● 20-210	● 0/3h/6h

○ Par défaut non sélectionnable      ● Sélectionnable par défaut

**REMARQUE** : Les certifications énergétiques gouvernementales de cette sécheuse de vêtement sont basées sur le cycle normal et le niveau de séchage normal.

**REMARQUE** : Le réglage de la température n'est pas ajustable sur le cycle normal. Les niveaux de lavage et de séchage par défaut à la livraison du cycle normal et niveau de séchage normal, ont été utilisés. Les cycles téléchargeables après-vente peuvent consommer plus d'énergie que le cycle normal, sur lequel est basée la cote de consommation énergétique de cette sécheuse.

# Présentation des fonctions du panneau de commande (Sécheuse)

## Étiquettes d'entretien

Vérifiez toujours l'étiquette d'entretien du vêtement, en particulier lors de la première utilisation de la sécheuse.



Les symboles les plus courants sont listés ci-dessous :

- Séchage en tambour possible
- Ne pas sécher en tambour
- Séchage en tambour à haute température
- Séchage en tambour à basse température



**Après avoir sélectionné un cycle, vous pouvez ajouter les options suivantes si nécessaire :**

## Anti-froissement

- Appuyez sur le bouton « Wrinkle Shield™ » pour activer/désactiver la fonction Wrinkle Shield™. Une fois la fonction Wrinkle Shield™ activée, les vêtements seront secoués et défroissés à la fin du cycle.
- Le Wrinkle Shield™ de la laveuse peut être sélectionné sur deux niveaux : niveau 1 pour 3 heures et niveau 2 pour 6 heures.
- Le niveau Wrinkle Shield™ se distingue par le nombre de voyants lumineux situés en haut du bouton .
- Une fois la fonction Wrinkle Shield™ activée, les voyants du niveau sélectionné s'allument et l'écran affiche le temps et l'icône anti-froissements «  ».
- La fonction Wrinkle Shield™ n'est pas disponible pour certains cycles..

## Niveau de séchage

- Après avoir allumé la sécheuse et sélectionné le cycle et les fonctions, appuyez sur le bouton du niveau de séchage pour activer la fonction de réglage du niveau de séchage. L'écran affiche les niveaux de séchage disponibles. Appuyez sur le bouton du niveau de séchage pour commuter entre les 3 niveaux de séchage : **More/Norm/Less**, Le niveau de séchage sélectionné est entièrement allumé et le niveau non sélectionné est à moitié allumé. Après le démarrage du cycle, seules les options réglées sont allumées.
- niveau 1** Après le séchage, les vêtements sont maintenus à un niveau d'humidité approprié, ce qui facilite le repassage.
- niveau 2** Utilisez ce niveau pour sécher les tissus en coton humides. Les vêtements sont complètement secs et peuvent être retirés et portés immédiatement.
- niveau 3** Après le séchage, les vêtements sont suffisamment secs et peuvent être rangés directement.
- Une fois un niveau de séchage sélectionné, le contenu affiché sur l'écran du cycle change automatiquement en conséquence.
  - Certains cycles limitent les niveaux de séchage disponibles.
  - Pour les vêtements grands ou épais, le séchage peut être inégal. Veuillez ajouter du temps de séchage supplémentaire selon le résultat obtenu.

## Ajout de linge

Utilisé pour ajouter des vêtements dans la sécheuse durant le processus de séchage. Après le démarrage du cycle, appuyez sur le bouton Démarrer/Pause, le hublot peut être ouvert immédiatement.

- les vêtements ajoutés au cours du processus doivent avoir été essorés à grande vitesse.

## Désactivation du signal de fin

À la fin du cycle, la sécheuse émet par défaut un signal sonore pour indiquer que vous pouvez dès lors retirer le linge. Si vous ne souhaitez pas entendre ce signal, vous pouvez le désactiver. Le réglage sera mémorisé lors de la prochaine mise sous tension de l'appareil.

Méthode de réglage/désactivation :

- Allumez d'abord l'appareil, puis maintenez le bouton Démarrer/Pause enfoncé pendant 3 secondes. L'écran affiche « OFF » et le signal de fin est désactivé. Répétez l'opération pour le réactiver et l'écran affiche « ON ».

## Économie d'énergie

Lorsque cette fonction est utilisée, le panneau de contrôle passe automatiquement en mode d'économie d'énergie 30 secondes après le démarrage et hors état de pause. L'interface peut être réactivée en appuyant sur le bouton.

## Ouverture automatique du hublot

- Appuyez sur le bouton « Départ différé » et maintenez-le enfoncé pour activer la fonction d'ouverture automatique de la porte, qui peut ouvrir automatiquement la porte une fois le cycle terminé.
- Cette fonction est disponible pour la laveuse et la sécheuse.
- La fonction ne peut pas être activée pendant que l'appareil est en fonctionnement.
- L'ouverture automatique du hublot vise à prévenir la formation de mauvaises odeurs.

## ENTRETIEN ET MAINTENANCE

Utilisez le nettoyant pour électroménagers affresh® une fois par mois pour nettoyer l'appareil et maintenir ses performances

### Entretien de la tour

Avant toute opération de nettoyage ou de maintenance, éteignez l'appareil et débranchez-le de l'alimentation secteur. N'utilisez jamais de liquides inflammables pour nettoyer l'appareil. Effectuez un nettoyage périodique de votre appareil (au moins 4 fois par an).

### Débrancher l'alimentation en eau et en électricité

Débranchez l'appareil et coupez l'alimentation en eau avant tout nettoyage ou toute opération de maintenance.

Lorsque l'appareil n'est pas utilisé pendant une longue période, il est recommandé de débrancher l'appareil et de fermer le robinet d'arrivée d'eau.

### Nettoyage de l'appareil

Les parties extérieures et les composants en caoutchouc de l'appareil peuvent être nettoyés à l'aide d'un chiffon doux imbibé d'eau tiède savonneuse. N'utilisez aucun abrasif ou solvant.

### Nettoyage du distributeur de détergent

Rincez-le à l'eau courante. Cette opération doit être répétée fréquemment.

### Entretien du hublot et du tambour

Laissez le hublot de la laveuse entrouvert lorsqu'il n'est pas utilisé afin d'éviter la formation de mauvaises odeurs.

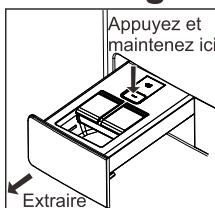
### Vérification du tuyau d'arrivée d'eau

Vérifiez le tuyau d'arrivée d'eau au moins une fois par an. S'il est fissuré ou endommagé, il doit être remplacé immédiatement : la pression élevée pendant les cycles de lavage peut provoquer une rupture soudaine.

!Ne jamais réutiliser de tuyau ayant déjà été utilisé.


### Nettoyage du distributeur de détergent

Pour éviter que des résidus de détergent ne moisissent, nettoyez le distributeur de détergent régulièrement. Retirez le bac à détergent en appuyant sur le loquet tout en tirant fermement. Rincez-le à l'eau, puis réinsérez-le.



### Nettoyage du tambour (recommandé une fois par mois)

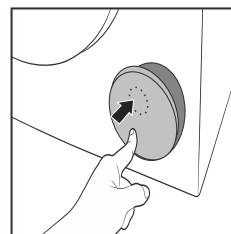
Après une longue utilisation, des dépôts peuvent se former dans le tambour. Utilisez le cycle CLEAN WASHER pour nettoyer le tambour à l'intérieur et à l'extérieur.

Après 40 cycles de lavage, la laveuse vous invitera automatiquement à effectuer un nettoyage du tambour. L'icône «  » clignotera sur le panneau. Appuyez alors sur le bouton Start/Pause pour lancer directement le cycle de nettoyage du tambour, ou sur le bouton On/Off pour annuler le rappel.

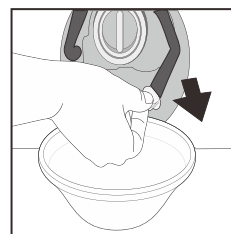
### Nettoyage du filtre de la pompe de vidange

Éteignez et débranchez le lave-linge avant de nettoyer le filtre de la pompe de vidange ou de vidanger l'eau résiduelle. Si vous avez utilisé un cycle de lavage à chaud, attendez que l'eau refroidisse avant de vidanger. Nettoyez régulièrement le filtre de la pompe de vidange pour éviter une mauvaise vidange. Si l'eau ne s'écoule pas, l'écran indique que le filtre de la pompe de vidange est peut-être obstrué.

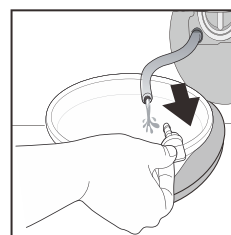
1. Éteignez l'appareil et débranchez-le de la prise électrique.
2. Appuyez sur la zone supérieure de la porte du filtre de la pompe pour l'ouvrir.



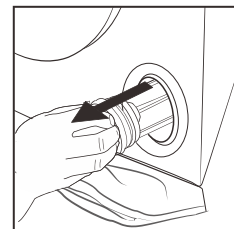
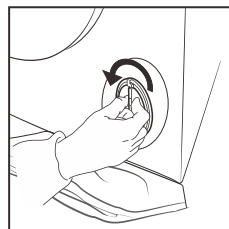
3. Placez un récipient près de la pompe pour recueillir tout débordement.
4. Étirez le « tuyau noir » vers le récipient (environ 350 ml).



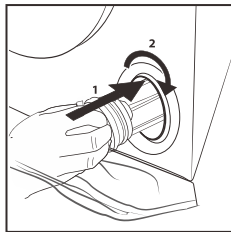
5. Tirez sur le bouchon du « tuyau noir » à l'extrémité du tuyau et laissez l'eau s'écouler dans le récipient.



6. Tournez la poignée du filtre de la pompe de vidange et retirez-la de son logement.
7. **Retirer le filtre** : Placez un chiffon en coton sous le filtre de la pompe de vidange, qui peut absorber une petite quantité d'eau. Retirez ensuite le filtre de la pompe de vidange en le tournant dans le sens inverse des aiguilles d'une montre.



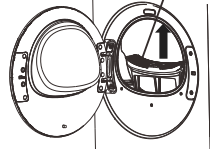
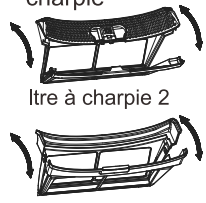
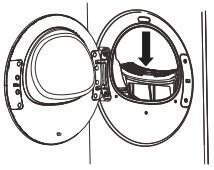
8. Nettoyez le filtre de la pompe de vidange : enlevez les résidus présents dans le filtre et nettoyez-le sous l'eau courante.
9. Remettez en place du filtre : Réinsérez le filtre de la pompe de vidange en le tournant dans le sens horaire. Assurez-vous de le visser jusqu'au bout ; la poignée du filtre doit être en position verticale.



10. Remettez le bouchon et le tuyau noir à leur emplacement d'origine, fermez la porte du filtre de la pompe.

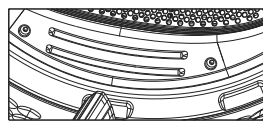
## Nettoyage du filtre à charpie

**IMPORTANT:** Avant ou après chaque utilisation de la sècheuse, le filtre à charpie doit être nettoyé.

<p><b>1</b> Ouvrez la porte de la sècheuse et retirez le filtre à charpie.</p> <p>Filtre à</p> 	<p><b>2</b> Ouvrez le filtre à charpie</p>  <p>ltre à charpie 2</p> <p>ltre à charpie 1</p>
<p><b>3</b> Nettoyez la charpie, les fibres et le coton à la main ou avec un chiffon doux. Refermez le filtre à charpie, puis remettez en place le filtre à charpie 1 et le filtre à charpie 2.</p> 	

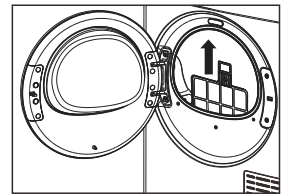
## Capteur d'humidité

Veillez utiliser un chiffon sec et doux en coton pour essuyer régulièrement les cheveux et les impuretés à la surface du capteur d'humidité, afin de garantir le bon fonctionnement de l'appareil.



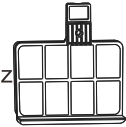
## Nettoyage du filtre

Il est recommandé de nettoyer le filtre intérieur une fois par mois, car de petits cheveux et de la charpie pourraient passer à travers les deux filtres à charpie au fil du temps. S'il n'est pas nettoyé régulièrement, les performances de la sècheuse peuvent être réduites.



La procédure est la suivante :

1. Ouvrez la porte de la sècheuse et retirez d'abord les filtres à charpie 1 et 2.
2. Retirez le filtre intérieur du conduit d'air de la sècheuse.
3. Nettoyez la charpie et les cheveux du filtre avec vos mains ou un chiffon doux.
4. Remettez le filtre intérieur dans sa position initiale dans le conduit d'air. Vous devriez entendre un petit clic magnétique lorsqu'il est remis en place.
5. Remettez les filtres à charpie 1 et 2 dans le conduit d'air de la sècheuse.



Filtre intérieur

## Entretien pour le stockage hivernal

**IMPORTANT:** Pour éviter tout dommage, installez et entreposez l'appareil à l'abri du gel. L'eau stagnante dans les tuyaux peut endommager l'appareil. Si vous l'entreposez ou le déplacez par temps de gel, préparez-le pour l'hiver.

**IMPORTANT:** Contactez le service après-vente pour installer de nouveaux boulons de transport. Ne réutilisez pas les boulons de transport. L'appareil doit être transporté en position verticale. Pour éviter tout dommage structurel, votre appareil doit être correctement installé avant son déplacement par un technicien agréé.

**Pour hiverner l'appareil :**

1. Fermez les deux robinets d'eau ; débranchez et vidangez les tuyaux d'arrivée d'eau.
- CONSEIL UTILE : Collez une note de rappel sur l'appareil pour rétablir l'eau avant la prochaine utilisation.
2. Retirez le filtre de la pompe de vidange.
3. Versez 1 litre d'antigel pour plomberie dans le tambour et faites fonctionner l'appareil en cycle normal pendant environ 2 minutes pour mélanger l'antigel et l'eau restante.
4. Débranchez l'appareil ou coupez le courant.

## TRANSPORT ET MANUTENTION

Ne soulevez pas l'appareil par le haut. Débranchez l'appareil et fermez le robinet d'eau. Vérifiez que la porte et le bac à lessive sont bien fermés. Débranchez le tuyau de remplissage du robinet, puis le tuyau de vidange. Videz toute l'eau restante dans les tuyaux et fixez-les afin de ne pas les endommager pendant le transport. Remettez les boulons de transport en place. Répétez, dans l'ordre inverse, la procédure de retrait des boulons de transport décrite dans les « instructions d'installation ».

# DÉPANNAGE

Condition	Raison
La laveuse / sècheuse ne fonctionne pas	<ul style="list-style-type: none"> <li>•La prise d'alimentation est-elle correctement branchée?</li> <li>•Le hublot est-il fermé?</li> <li>•Le bouton de démarrage a-t-il été appuyé?</li> </ul>
Le hublot ne s'ouvre pas	<ul style="list-style-type: none"> <li>•Le niveau d'eau ou la température dans le tambour est trop élevé lorsque le programme est en lancé ou en pause, ou une panne de courant est survenue durant le programme.</li> <li>•Des vêtements sont coincés entre le hublot et le joint de hublot.</li> </ul>
Il y a une odeur étrange	<ul style="list-style-type: none"> <li>•Comme des pièces en caoutchouc sont utilisées, une odeur de caoutchouc peut apparaître au début.</li> </ul>
Moins d'eau lors du lavage et du rinçage	<ul style="list-style-type: none"> <li>•Les laveuses à tambour nécessitent seulement une petite quantité d'eau pour laver.</li> </ul>
Pas d'arrivée d'eau dans l'appareil	<ul style="list-style-type: none"> <li>•Le robinet est-il ouvert?</li> <li>•Le tuyau d'arrivée d'eau est-il gelé ?</li> <li>•Le filtre du tuyau d'arrivée d'eau ou la vanne d'arrivée d'eau est-elle obstruée?</li> </ul>
Arrivée d'eau	<ul style="list-style-type: none"> <li>•Si le niveau d'eau baisse, il est automatiquement réajusté.</li> </ul>
Évacuation de l'eau pendant le lavage	<ul style="list-style-type: none"> <li>•Trop de détergent ou trop de mousse a été ajouté?</li> </ul>
Le temps restant change	<ul style="list-style-type: none"> <li>•Si les vêtements dans le tambour sont répartis de façon inégale, la laveuse ajoute automatiquement de l'eau pour ajuster l'équilibre. Le temps de cycle est prolongé en conséquence.</li> <li>•Comme la durée affichée est calculée sur la base d'un débit d'eau de 8 litres/minute, la durée réelle est prolongée ou raccourcie en fonction de la pression d'eau.</li> </ul>
Bruit anormal pendant l'essorage	<ul style="list-style-type: none"> <li>•Le cordon d'alimentation est-il en contact avec le châssis?</li> <li>•Les boulons de transport ont-ils été retirés?</li> <li>•Des objets étrangers, par exemple des barrettes ou des pièces de monnaie, sont-ils tombés dans le tambour?</li> </ul>
Cycle de séchage trop court ou trop long	<ul style="list-style-type: none"> <li>•Y a-t-il trop peu ou trop de vêtements?</li> <li>•Les vêtements n'ont pas été correctement essorés?</li> </ul>
Ne fonctionne pas après une panne de courant	<ul style="list-style-type: none"> <li>•L'appareil s'arrête lorsque le courant est coupé et ne reprend pas automatiquement après le rétablissement du courant. Veuillez appuyer sur le bouton Marche/Arrêt et réinitialiser le cycle.</li> </ul>
Les vêtements ne sont pas secs après le séchage	<ul style="list-style-type: none"> <li>•Y a-t-il trop ou trop peu de linge?</li> <li>•Le linge n'est pas essoré?</li> <li>•Le programme sélectionné n'est pas le bon?</li> <li>•Le filtre est-il obstrué?</li> <li>Y a-t-il des sédiments sur le capteur de température?</li> </ul>

# DÉPANNAGE

Si votre appareil affiche un code d'erreur inattendu, veuillez consulter les informations et les solutions de dépannage ci-dessous avant de contacter le service client de Whirlpool.

## Laveuse

Code d'erreur	Description de l'erreur
<b>F0E2</b>	Détection de surdosage de mousse: (1) Vérifiez si une lessive haute efficacité (HE) a été utilisée. (2) Si la lessive a été ajoutée manuellement, vérifiez si le distributeur automatique était désactivé et/ou si une quantité excessive de lessive a été utilisée.
<b>F0E5</b>	Charge déséquilibrée: Si le linge s'emmêle pendant le séchage, démêlez-le et répartissez-le avant de relancer l'essorage. Appuyez une fois sur MARCHE/ARRÊT pour effacer le code. Appuyez de nouveau sur MARCHE/ARRÊT pour redémarrer la machine.
<b>F1E1 / F3E2 / F4E2 F4E3 / F5E3 / F6E1 F6E2 / F7E2 / F7E6 F7EA / F8E3</b>	Pièce électrique ou commande électrique anormale: Appuyez une fois sur MARCHE/ARRÊT pour effacer le code. Appuyez de nouveau sur MARCHE/ARRÊT pour redémarrer la machine. Si le code réapparaît, débranchez l'appareil pendant 30 secondes, puis rebranchez-le. Si le code persiste, contactez le service client.
<b>F1E6</b>	La tension d'alimentation est hors plage: Appuyez une fois sur MARCHE/ARRÊT pour effacer le code. Appuyez ensuite de nouveau sur MARCHE/ARRÊT et redémarrez la machine à laver.
<b>F5E2</b>	Porte ouverte: Fermez la porte avant de lancer un cycle de lavage. Si le code d'erreur persiste après la fermeture de la porte et que la machine ne démarre pas, contactez le service client.
<b>F7E9</b>	Rotor bloqué: En cas de faible tension, le moteur peut ne pas être suffisamment puissant pour tourner. 1. Appuyez une fois sur MARCHE/ARRÊT pour effacer le code. Appuyez de nouveau sur MARCHE/ARRÊT et redémarrez la machine. 2. Si le code réapparaît, débranchez la machine pendant 30 secondes, puis rebranchez-la. 3. De plus, vous pouvez retirer une partie du linge du tambour, éteindre l'appareil, attendre quelques instants, puis rallumer l'appareil et tenter de relancer le cycle de lavage. 4. Si le code d'erreur persiste, contactez le service client.
<b>F8E1</b>	Remplissage insuffisant / Remplissage prolongé: 1. Vérifiez que l'arrivée d'eau est bien branchée et que le robinet est ouvert. 2. Assurez-vous que le tuyau d'évacuation est correctement fixé à l'appareil et qu'il fonctionne correctement (absence de siphonage). 3. Vérifiez que le filtre du tuyau d'évacuation est propre. 4. Si le code d'erreur persiste, contactez le service client.
<b>F8E2</b>	Erreur du distributeur: 1. Vérifiez que le distributeur de savon est bien inséré et ne dépasse pas. Il peut être nécessaire de l'ouvrir et de le refermer. Si le code d'erreur est toujours présent, contactez le service client.
<b>F9E1</b>	Pompe de vidange bouchée: 1. Vérifiez si le filtre de vidange est obstrué et nettoyez-le si nécessaire; 2. Vérifiez si le tuyau d'évacuation est siphonné. Si c'est le cas, ajustez la vidange pour éviter le siphonage.
<b>U1</b>	Le distributeur de savon n'est pas complètement inséré dans son compartiment: 1. Vérifiez que le distributeur de savon est bien inséré et aligné avec la surface avant, à fleur de l'appareil. Essayez d'ouvrir et de fermer le distributeur. 2. Si le code d'erreur persiste, contactez le service client.

## Sécheuse

Code d'erreur	Description de l'erreur
<b>F4E3</b>	Filtre à peluches obstrué: 1. Ouvrez la porte du sèche-linge, retirez et nettoyez le filtre à peluches à deux étages. 2. Vérifiez la grille du filtre intérieur, nettoyez-la et remettez le filtre à peluches à deux étages en place. Si le code d'erreur persiste, contactez le service client.
<b>F5E2</b>	Porte ouverte: 1. Vérifiez qu'aucun vêtement ne se trouve entre le joint et la porte, puis fermez-la avant de lancer un cycle de séchage. 2. Si le code d'erreur persiste, contactez le service client.
<b>F1E1 / F3E1 / F3E2 F3E3 / F3E4 / F6E1 F6E2 / F6E3 / F7E1 F7E2 / F7E3 / F9E2</b>	Pièce électrique ou commande électrique anormale: Appuyez une fois sur MARCHE/ARRÊT pour effacer le code. Appuyez de nouveau sur MARCHE/ARRÊT pour redémarrer le sèche-linge. Si le code réapparaît, débranchez l'appareil pendant 30 secondes, puis rebranchez-le. Si le code persiste, contactez le service client.