

WF45T6000AV

SAMSUNG

Samsung 4.5 cu. ft. Front Load Washer with Vibration Reduction Technology+



Signature Features

4.5 cu. ft. Capacity

- Fewer loads, less time in the laundry room, and more time doing the things you love.

Vibration Reduction Technology+

- Reduces noise and vibration for extra quiet washing.

Self Clean+

- Eliminates 99% of bacterial¹ in the drum.

Available Color



Brushed Black



Vibration Reduction Technology+



Self Clean+

Features

- 4.5 cu. ft. Capacity
- Vibration Reduction Technology+
- Self Clean+¹
- Smart Care²
- Swirl+ Drum Interior
- Closet-Depth Fit³
- Stackable
- UL Certified
- 1200 RPM Maximum Spin Speed
- Direct Drive Motor

- 10 Preset Washing Cycles
- 6 Additional Washing Options
- 5 Temperature Levels
- LED Display: Ice Blue
- 24-Hour Delay End

Convenience

- Child Lock
- Delay End
- Dispenser Trays: Main Wash, Softener, Bleach

Rating



ENERGY STAR[®]-rated
CEE Tier 2
IMEF = 2.95
IWF = 2.9
90 kWh/yr



ADA Compliant⁴

¹Based on testing by Intertek of the Self Clean+ cycle on the WF6000R.

²Requires Samsung Smart Washer/Dryer App. The Samsung Smart Washer/Dryer App supports Android OS 2.3.6 or later and iOS 3 or later for iPhone models. Samsung Smart Washer/Dryer App available in App Store and Play Store.

³Designed to fit a 40" installation depth.

⁴ADA Compliant when using 27" wide riser (Riser model codes: WE272NV, WE272NW, WE272NC).

WF45T6000AV

SAMSUNG

Samsung 4.5 cu. ft. Front Load Washer with Vibration Reduction Technology+

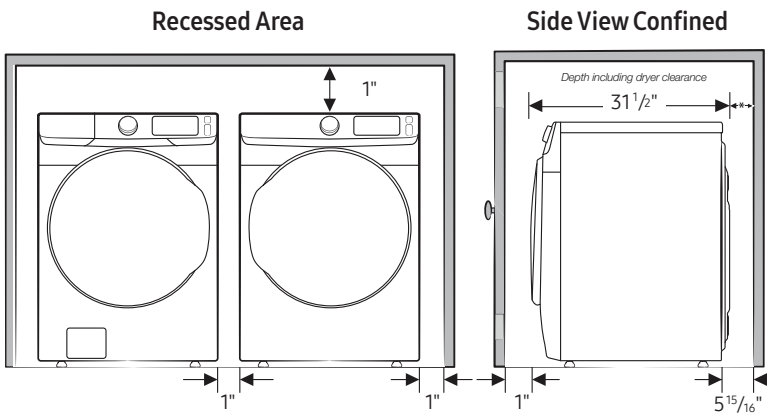
Installation Specifications

If the washer and dryer are installed together or the dryer alone, the closet front must have two unobstructed air openings for a combined minimum total area of 72-inch² (see stacked build below). Your washer alone does not require a specific air opening.

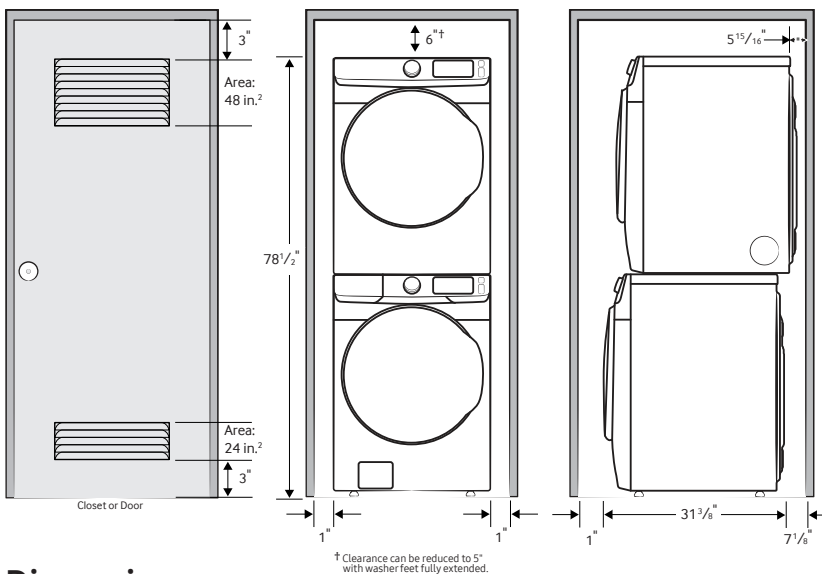
*Required spacing (External exhaust elbow may require additional space).

1. Alcove or closet installation

Minimum Clearance for Closet and Alcove Installations:

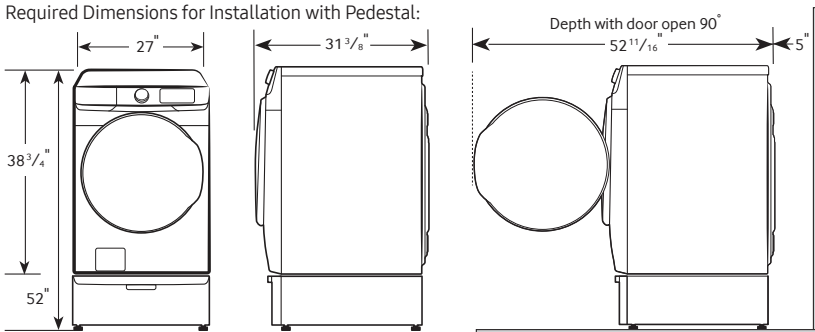


2. With stacked washer and dryer



Dimensions

Required Dimensions for Installation with Pedestal:



10 Preset Washing Cycles:

Normal, Heavy Duty, Bedding, Quick Wash, Permanent Press, Delicates, Whites, Activewear, Rinse and Spin, Self Clean+

6 Additional Washing Options:

Presoak, Delay End, Smart Care, Sound, Child Lock, Spin Only

5 Temperature Levels:

Hot, Warmer, Warm, Cool, Cold

5 Spin Speeds:

High, Medium High, Medium, Low, No Spin

5 Soil Levels:

Heavy, Medium Heavy, Normal, Medium Low, Light

Dispenser Trays:

Main Wash, Softener, Bleach

Warranty

One (1) Year Parts and Labor

Three (3) Years Stainless Steel Tub (Part Only)

Twenty (20) Years; Washing DIT (Digital Inverter Motor) Motor Part (Part Only)

Product Dimensions & Weight (WxHxD)

Dimensions: 27" x 38 3/4" x 31 3/8"

Weight: 200 lbs

Shipping Dimensions & Weight (WxHxD)

Dimensions: 29 3/8" x 42 3/8" x 34 1/8"

Weight: 205 lbs

Color

Brushed Black

Model

WF45T6000AV

UPC Code

887276436548

Matching Dryer (Electric/Gas)

Brushed Black

DVE45T6000V

887276439419

Brushed Black

DVG45T6000V

887276439426

Pedestal

Brushed Black

WE402NV

887276310145

Riser

Brushed Black

WE272NV

887276197630

Accessories

Stacking Kit

SKK-8K

887276344034

Actual color may vary. Design, specifications, and color availability are subject to change without notice. Non-metric weights and measurements are approximate.

©2023 Samsung Electronics America, Inc., 85 Challenger Road, Ridgefield Park, NJ 07660. Tel: 800-SAMSUNG. samsung.com. Samsung is a registered trademark of Samsung Electronics Co., Ltd.