

WDES9428F

4.7/4.7 cu. ft. Double Built-In Wall Oven

Large Double Oven Capacity (4.7 cu. ft. in both ovens)

7" Color LCD Touch Display

Soft Close Door

Air Fry Setting

InstaView® Window (WideView)

Steam Sous Vide

Optional Flush Installation

EasyClean®

LG Exclusive 4-Mode True Convection

ThinQ® Technology



SUMMARY		LOWER OVEN FEATURES		SMART FEATURES	
Type	Double Wall Oven	Capacity (cu.ft)	4.7	ThinQ® (Wi-Fi Enabled)	Yes
Total Oven Capacity (cu. ft.)	9.4 (Upper & Lower)	EasyClean®	Yes	Check & Control	Yes
Color	Stainless Steel	EasyClean(SpeedClean) time	10 mins	Voice Control	Yes
UPPER OVEN FEATURES		Self Clean	Yes	Smart Recipe (3rd Party Recipe App)	Innit, Sidechef
Capacity (cu.ft)	4.7	Variable cleaning time	Yes	SmartDiagnosis™	Yes
EasyClean®	Yes	Convection Type	True Convection	DIMENSIONS/CLEARANCES/WEIGHTS	
EasyClean(SpeedClean) time	10 mins	Convection element	2,000 watts (Sheath heater)	Product (W x H x D) : Including Door	29 3/4" x 52 1/16" x 24 15/32"
Self Clean	Yes	Convection Fan	Single Speed	Product (W x H x D) : Including Handle	29 3/4" x 52 1/16" x 26 29/32"
Variable cleaning time	Yes	Convection conversion	Yes	Product (W x H x D) : Opening Door	29 3/4" x 52 1/16" x 45 21/32"
Steam Assist	Yes	Bake element	2,500 watts	Cut-out (W x H x D) : Standard	Min. 28 1/2" x 51 13/16" x 24" Max. 28 5/8" x 51 15/16" x 24"
Steam element	1,960 watts	Bake element type	Hidden (8 pass)	Cut-out (W x H x D) : Flush	30" x 52 5/16" x 25"
Convection Type	True Convection	Broil element	2,500 watts inner / 1,500 watts outer	Packing (W x H x D)	34" x 57" x 30"
Convection element	2,000 watts (Sheath heater)	Broil element pass	8	Product Weight (lbs)	238
Convection Fan	Single Speed	Variable broil	Yes (Full,Center / High,Med,Low)	Shipping Weight (lbs)	302
Convection conversion	Yes	Oven Cooking Modes	Bake / Conv. Bake / Conv. Roast / Broil / Roast / Warm / Proof / Auto Cook / Favorite / Clean(Self Clean, Easy Clean)	POWER/RATINGS	
Bake element	2,500 watts	No of Auto cook	44EA (Except Miscellaneous)	Amp at 240V	42.5 A
Bake element type	Hidden (8 pass)	No of Favorite	40EA	kW at 240V	10.2 kW
Broil element	2,500 watts inner / 1,500 watts outer	No of rack position	5	Requirements	60 Hz / 240 V, 208 V
Broil element pass	8	No of light	2 (Halogen Lamp)	ACCESSORIES	
Variable broil	Yes (Full,Center / High,Med,Low)	Proof	Yes	Broiler pan	1EA
Oven Cooking Modes	Bake / Conv. Bake / Conv. Roast / Broil / Air Fry / Warm / Proof / Steam Cook(Steam Bake, Sous-Vide) / Auto Cook / Favorite / Clean(Self Clean, Easy Clean, Steam Maintenance)	Drying / Dehydrating	Yes	Griddle	1EA
No of Auto cook	Upper (45EA), Lower (39EA) except Miscellaneous	Temp probe	Yes	Temp probe	1EA
No of Favorite	40EA	12 hrs. shut-off	Yes	Heavy Duty Rack	4EA
No of rack position	5	Variable warm	Yes (High,Med,Low)	Gliding Rack	2EA
No of light	2 (Halogen Lamp)	CONTROL FEATURES		Spray Bottle	1EA
Proof	Yes	Oven Control Type	Glass Touch	Air Fry Rack	1EA
Drying / Dehydrating	Yes	Display	7" TFT LCD	LIMITED WARRANTY	
Temp probe	Yes	Language	English / Spanish / French	Parts & Labor	2 Years
12 hrs. shut-off	Yes	Clock	12 hr or 24 hr (option)	UPC CODES	
Variable warm	Yes (High,Med,Low)	Kitchen Timer	Yes	WDES9428F (Printproof™ Stainless Steel)	195174022825
		Timed Cook	Yes	WDES9428N (Essence White)	195174073612
		Temperature Unit of Measure	Fahrenheit / Celsius		
		Cooking Complete Reminder	Beeper (Hi, Lo, Off)		
		Volume			
		Certified Sabbath mode	Yes		
APPEARANCE					
All Available Colors	Stainless Steel				
Handle	Stainless Steel				
Printproof™ Finish	Yes				
Oven Door Feature	WideView™ Window				
InstaView®	Yes				

WDES9428F

4.7/4.7 cu. ft. Double Built-In Wall Oven

QUICK INSTALL & CLEARANCES

For full installation directions/clearances please refer to the corresponding User Manual and Installation Guide.

IMPORTANT

PROPER LOCATION AND DIMENSIONS

Measure the current cutout dimensions and compare them to the cutout dimensions shown below. Little or no cabinet work may be necessary.

- The cabinet base platform must be able to support 190 lbs (86 kg) for single built-in oven, 325 lbs (147 kg) for double built-in oven. If the cabinet does not have a solid bottom, two braces or runners must be installed level with the bottom of the cutout to support the weight of the appliance. Make sure the base is level and the front of the cabinet is square. If the cabinet base is not level, the oven racks will tend to slide out when opening the door.
- Make sure the cabinets and wall coverings around the oven can withstand the temperature (up to 194°F (90°C)) generated by the oven. Discoloration, delamination or melting may occur.
- Kitchen cabinets in contact with the oven must be heat resistant up to 194°F (90°C), and fronts of nearby units up to at least 158°F (70°C).
- DO NOT remove spacers ③ on the side walls of the built-in oven. These spacers center the oven in the space provided. The oven must be centered to prevent excess heat buildup that may result in heat damage or fire.
- The information in this manual should be followed exactly. Failure to do so could result in fire or electrical shock, causing property damage, personal injury or death.
- DO NOT put any weight on the oven door. Never allow anyone to climb, sit, stand or hang on the oven door. The oven could be tipped and injury might result from contact with hot food or the oven itself.
- DO NOT block the oven air exhaust located at the bottom of the oven. Blocking the exhaust may cause cabinet damage and product malfunction.

NOTE

- If marks, blemishes or the cutout opening are visible above the installed appliance, it may be necessary to add wood shims under the runners and front trim until the marks or opening are covered.
- If the cabinet does not have a front frame and the sides are less than 3/4" (1.9 cm) thick, shim both sides equally to establish the cutout width.
- The junction box ① must be flush with the conduit opening ② of the cabinet as shown.
- Allow at least a 23" clearance for the door depth when it is open.
- Do not remove the gliding racks from the base packing. Gliding racks are attached separately to the top and bottom of the oven.

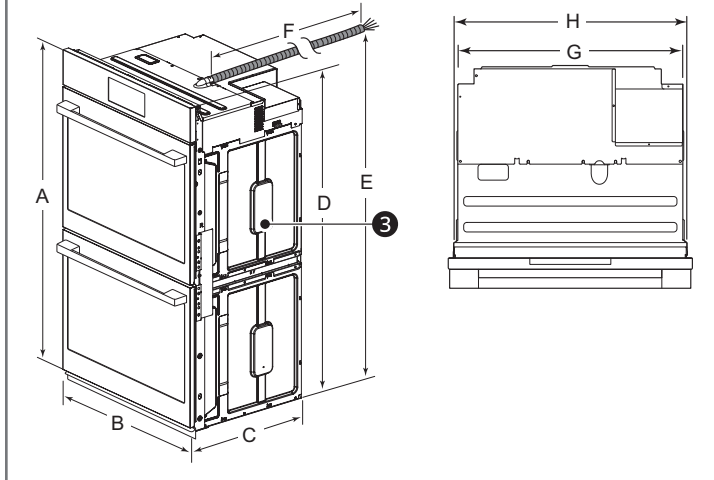
POWER / RATINGS

ENERGY STAR® Qualified	-
CEE Tier	-
Amp at 240V	42.5 A
kW at 240V	10.2 kW
Requirements	60 Hz / 240 V, 208 V

DIMENSIONS / CLEARANCES / WEIGHT

A Height	52 1/16"
B Width	29 3/4"
C Depth	23 3/8"
D Height (standard installation)	51 9/16"
E Height (power cord)	50 5/16"
F Length (power cord)	60"
G Width (back)	27 3/8"
H Width (standard installation)	28 7/16"

③ Cleat (Spacer)



DIMENSIONS / CLEARANCES / WEIGHT

I Cabinet width	30"
J Overlap of oven	1"
K Cutout width	28 1/2" Min. 28 5/8" Max.
L Depth of open door	23"
M Cutout height	51 13/16" Min. 51 15/16" Max.
N Cutout depth	24" Min.
O Cutout location from floor	12"
P Height of conduit opening from floor of cutout	47"
Q Distance of conduit opening from side of cabinet	5"

① Junction box

② Conduit opening

