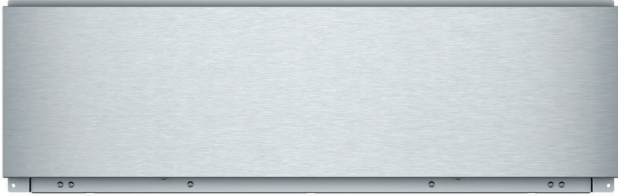


WD30WC

30-INCH WARMING DRAWER

PUSH TO OPEN



FEATURES & BENEFITS

- Our warming drawer is the perfect combination of uncompromising performance, unique convenience features and elegant design
- Warming mode with four convenient temperature settings
- Drawer installs vertically under Thermador speed, steam or wall oven

GENERAL PROPERTIES

Power Levels	Low, Med, High, Proof
Dough Proofing Mode	Yes
Temperature Settings	100° – 190° F
Timer	5 min. – 5 hours
Automatic Shut Off	After 1 hour
Door Opening	Push to Open
Control Type	Illuminated Touch Control

CAPACITY

Cavity Capacity	2.2 cu. ft.
-----------------	-------------

TECHNICAL DETAILS

Watts	450 W
Circuit Breaker	15 A
Volts	120 V
Frequency	60 Hz
Power Cord Length	84"
Plug Type	120V 3 Prong

DIMENSIONS & WEIGHT

Overall Appliance Dimensions (HxWxD)	9 7/16" x 29 3/4" x 24 1/2"
Required Cutout Size (HxWxD) – Standard	9 1/4" x 28 1/2" x 23 1/2"
Required Cutout Size (HxWxD) – Flush	9 9/16" x 30" x 24 1/2"
Net Weight	55 lbs

WARRANTY

Limited Warranty Parts and Labor	2 Year
----------------------------------	--------

†To be fully ADA compliant, these units must be installed according to ADA guidelines. Please check current ADA requirements for guidance on installation.

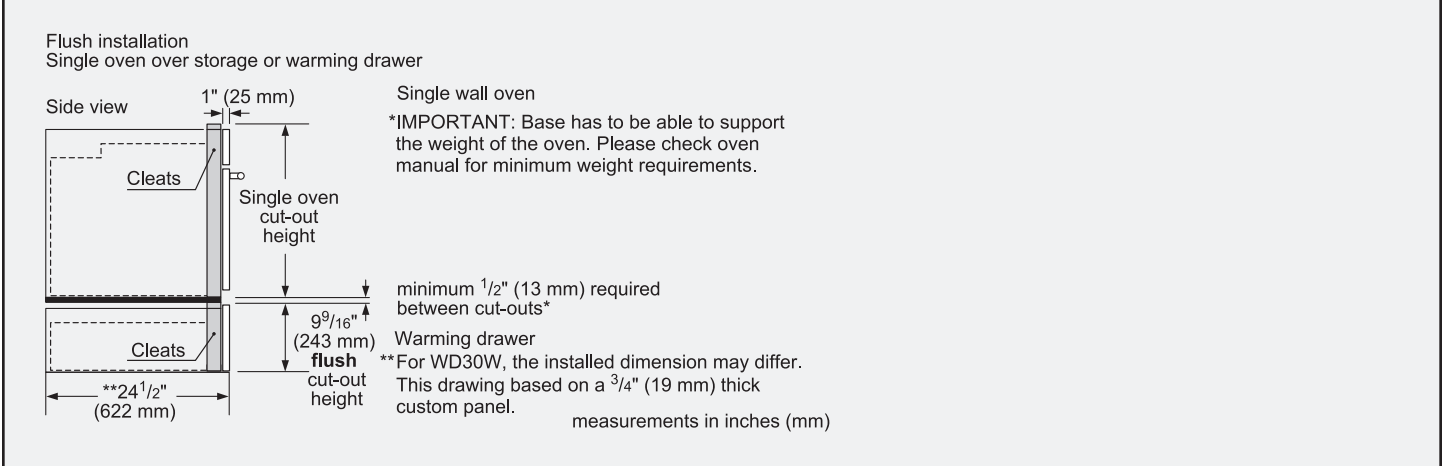
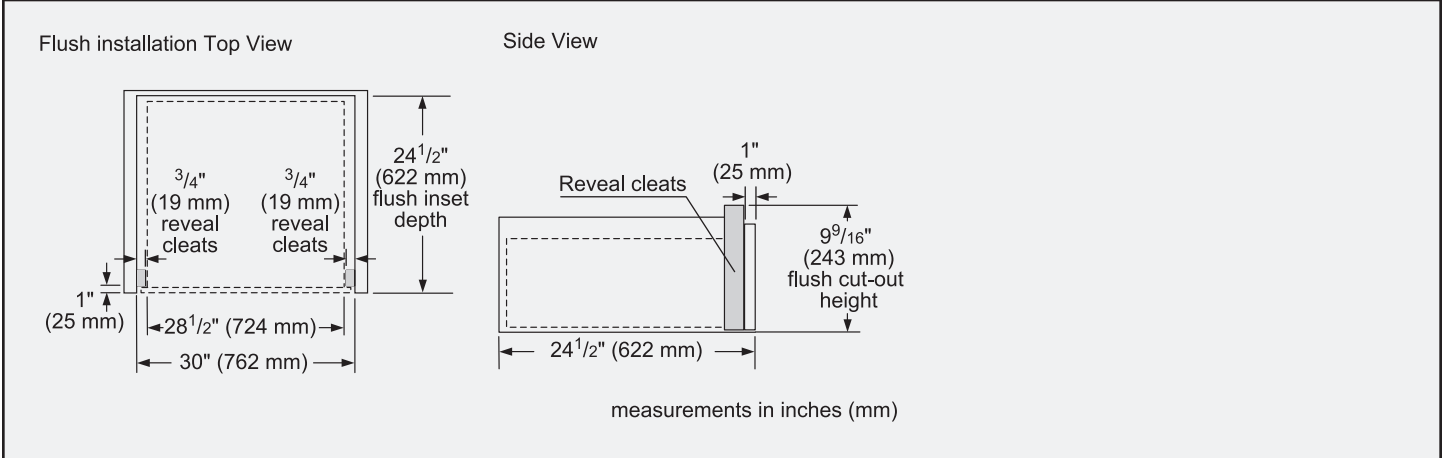
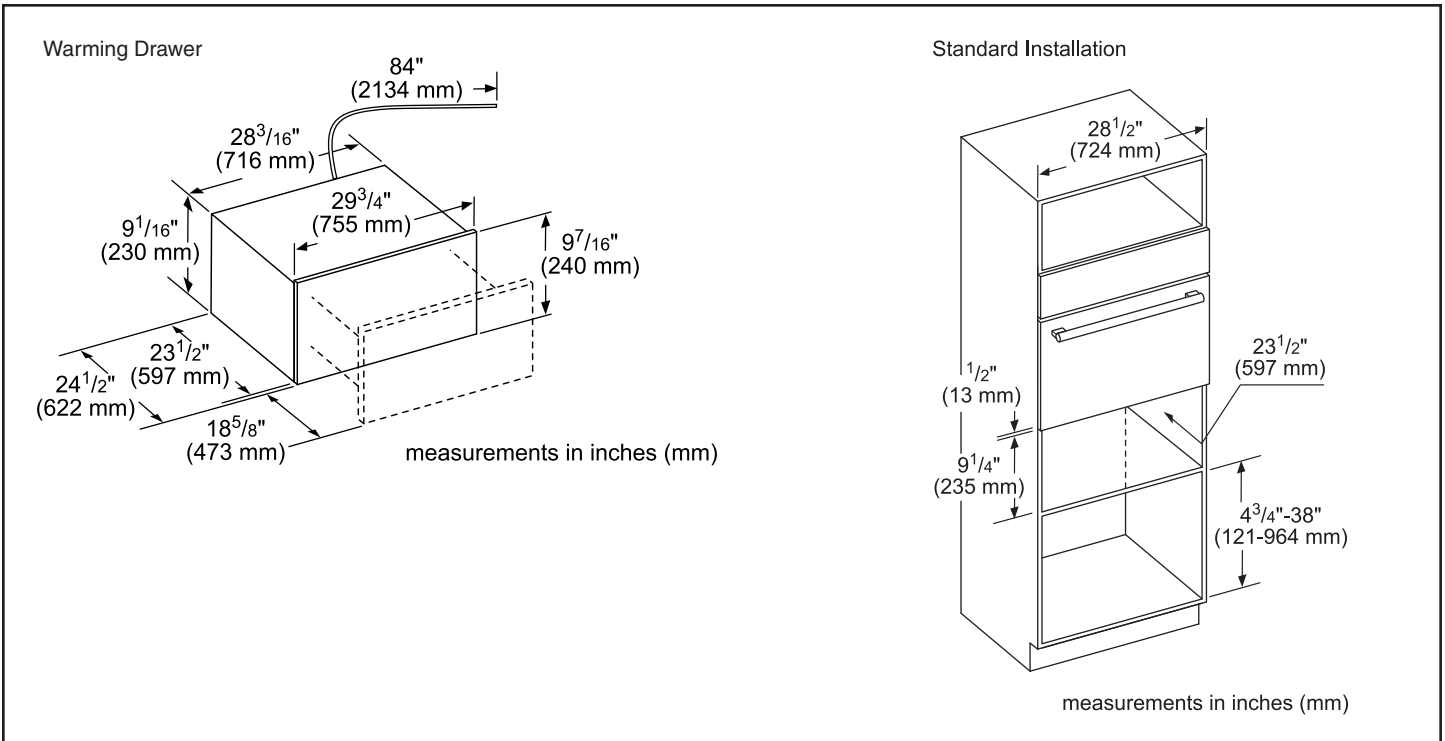
WD30WC

30-INCH WARMING DRAWER

PUSH TO OPEN



30-INCH WARMING DRAWER AND CUTOUT DIMENSIONS



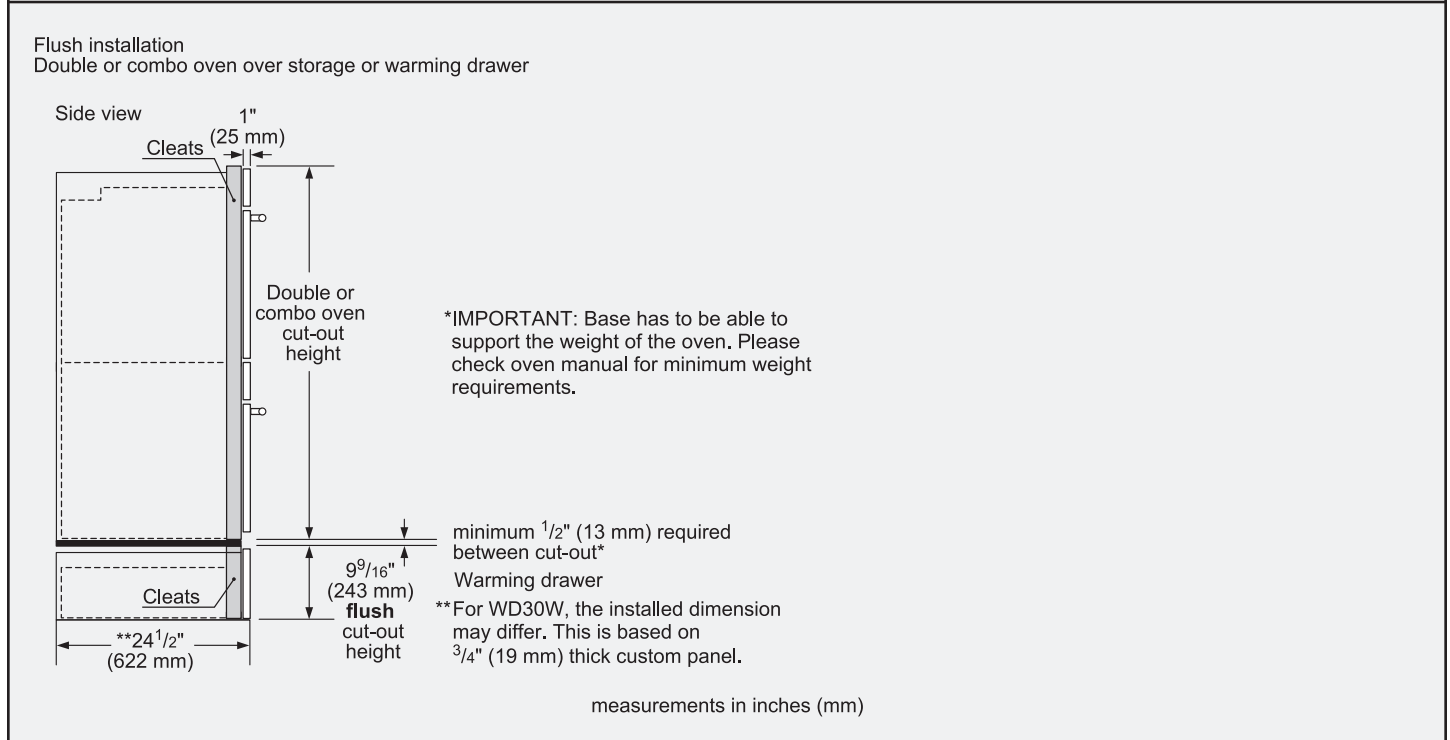
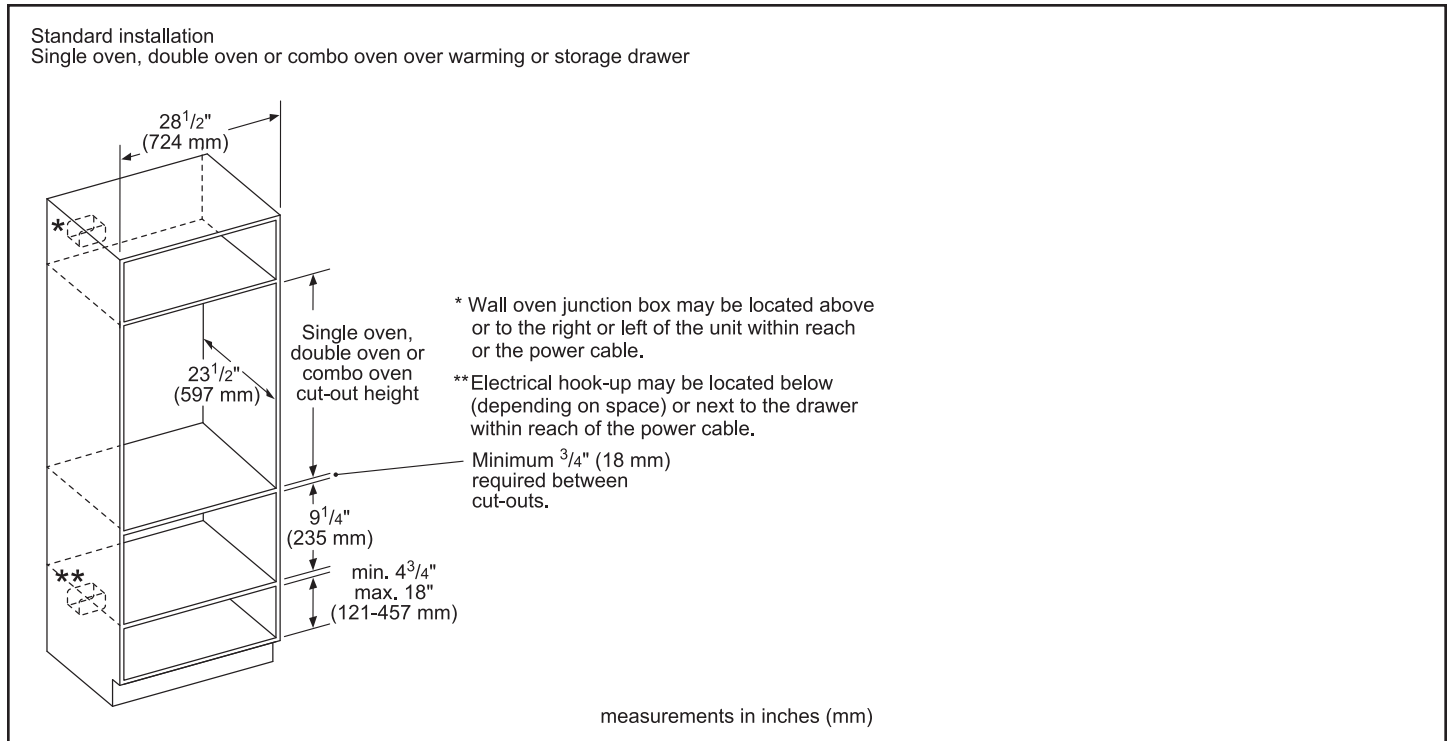
WD30WC

30-INCH WARMING DRAWER

PUSH TO OPEN



INSTALLATION DETAILS



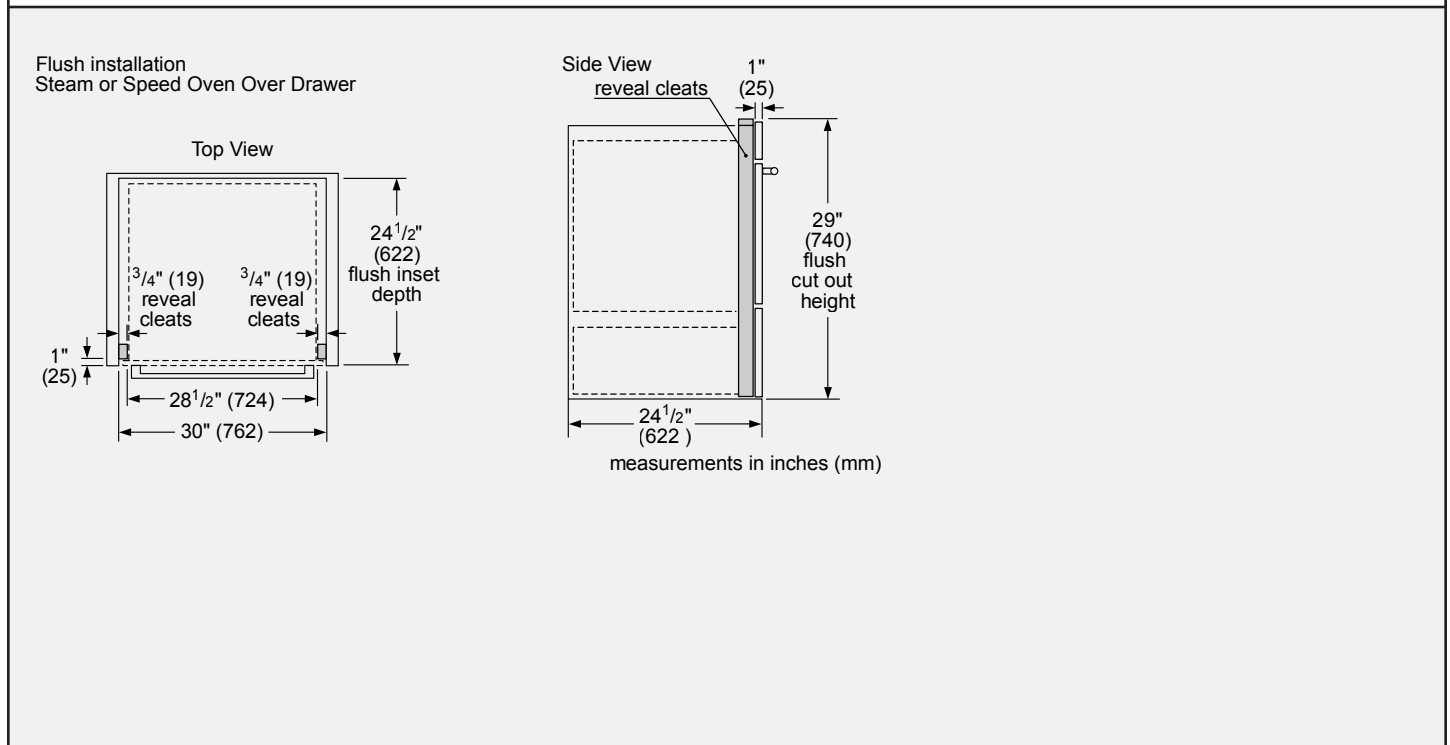
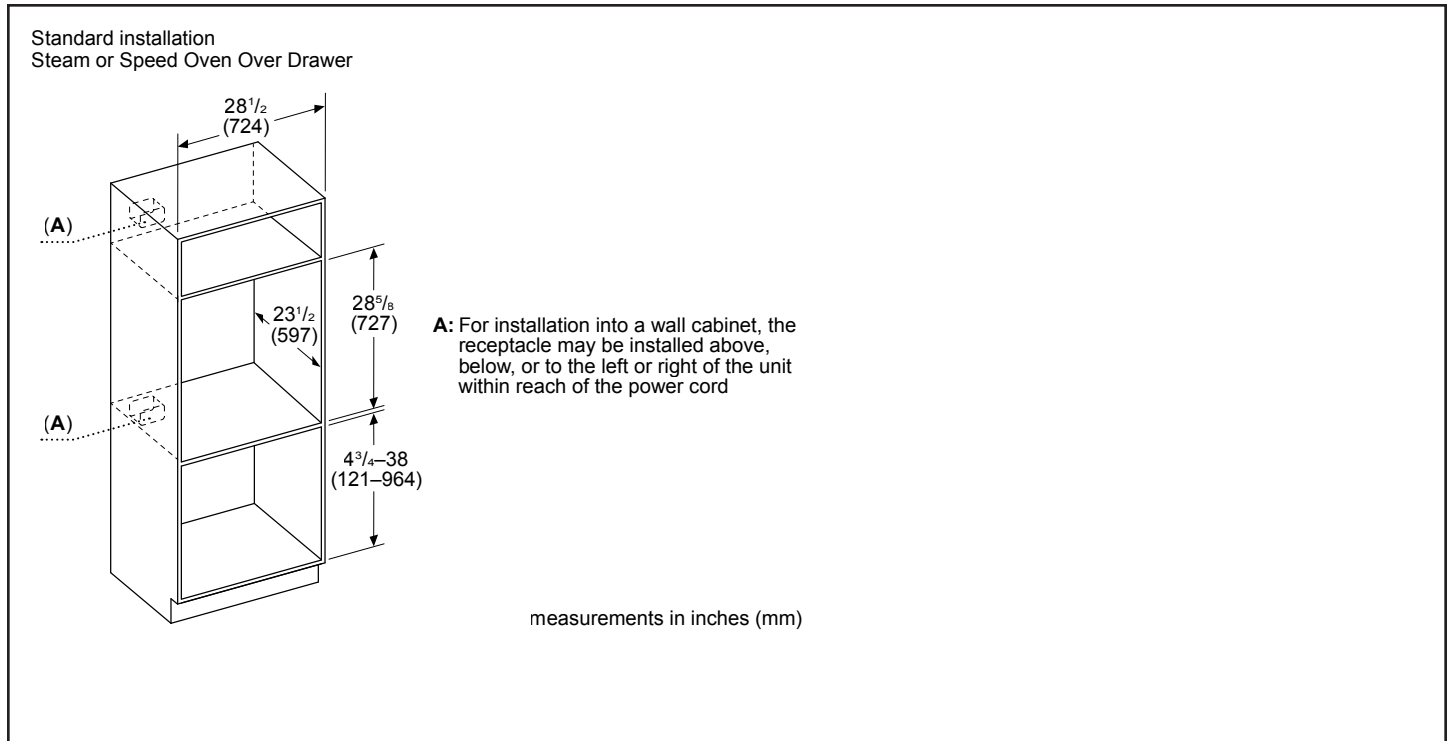
WD30WC

30-INCH WARMING DRAWER

PUSH TO OPEN



INSTALLATION DETAILS



These warranties give you specific legal rights and you may have other rights that vary from state to state. Limited warranty from date of delivery. For complete warranty details, refer to your Use & Care manual, or ask your dealer.

Specifications are for planning purposes only. Refer to installation instructions and consult your countertop supplier prior to making counter opening. Consult with a heating and ventilation engineer for your specific ventilation requirements. For the most detailed information, refer to installation instructions accompanying product or write to Thermador indicating the model number. Specifications are correct at time of printing. Thermador reserves the right to change product specifications or design without notice. Some models are certified for use in Canada. Thermador is not responsible for products that are transported from the U.S. for use in Canada.