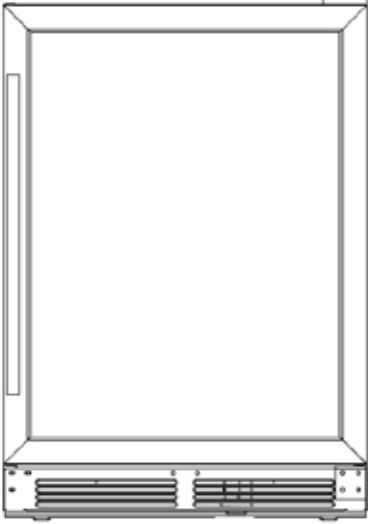
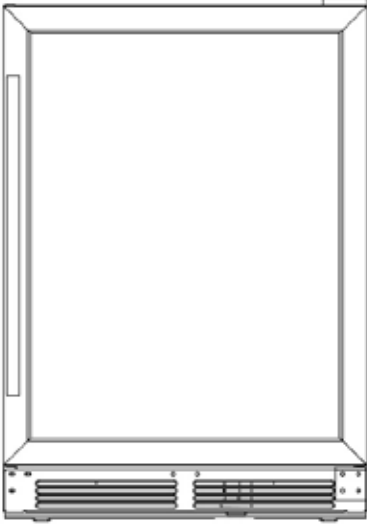




**INSTRUCTION MANUAL
MANUAL DE INSTRUCCIONES
MANUEL D'INSTRUCTIONS**

	
WCB52T3S	BVB52T4S
Single Zone Wine Chiller Vinera de una zona Cellier de une zone	Beverage Cooler Enfriador de bebidas Refroidisseur de breuvages

BEFORE USE, PLEASE READ AND FOLLOW ALL SAFETY RULES AND OPERATING INSTRUCTIONS.

Avanti Products has a policy of continuous improvement on its products and reserves the right to change materials and specifications without notice.

Avanti Products LLC
P.O. Box 520604 - Miami, Florida 33152
www.avantiproducts.com

TABLE OF CONTENTS

Appliance Safety	3
Important Safeguides	4
Help Us Help You ...	5
Parts and Features	6 - 7
Important Safety Instructions	8
Installation Instructions	8
Before Using Your Appliance	8
Installation of Your Appliance	8
Built-In Cabinet Instructions	8
Electrical Connection / Extension Cord / Surge Protector	9
Installing Stainless Steel Handle	10
Operating Your Appliance	
ON/OFF Power	11 - 12
Setting the Temperature Control	
Common Features For All Models	13
Storage	
Cleaning Your Appliance	14
Power Failure	14
Moving Your Appliance	14
Energy Saving Tips	14
Troubleshooting Guide	15
Service for Your Appliance	16
Wiring Diagram	16
Your Avanti Products Warranty	17
Instrucciones en Español	18 - 21
Instructions en Français	22 - 37
Registration Information and Registration Card	Last Page

APPLIANCE SAFETY

Your safety and the safety of others are very important.

We have provided many important safety messages in this manual and on your appliance. Always read and obey all safety messages.



This is the Safety Alert Symbol. This symbol alerts you to potential hazards that can kill or injure you and others. All safety messages will follow the Safety Alert Symbol and either the words "DANGER", "WARNING" or "CAUTION".



Danger means that failure to heed this safety statement may result in severe personal injury or death.



Warning means that failure to heed this safety statement may result in extensive product damage, serious personal injury, or death.



Caution means that failure to heed this safety statement may result in minor or moderate personal injury, or property or equipment damage.

All safety messages will alert you do what the potential hazard is, tell you how to reduce the chance of injury, and let you know what can happen if the instructions are not followed.



PROP. 65 WARNING FOR CALIFORNIA RESIDENTS

WARNING:

Cancer And Reproductive Harm

www.p65warnings.ca.gov

REFRIGERANT GAS WARNINGS

FLAMMABLE REFRIGERANT GAS

- DANGER** - Risk of fire or explosion. Flammable refrigerant used.
- DO NOT use mechanical devices to defrost refrigerator. DO NOT puncture refrigerant tubing.**
- DANGER** - Risk of fire or explosion. Flammable refrigerant used. To be repaired only by trained service personnel. **DO NOT** puncture refrigerant tubing.
- CAUTION** - Risk of fire or explosion. Flammable refrigerant used. Consult repair manual / owner's guide before attempting to service this product. All safety precautions must be followed.
- CAUTION** - Risk of fire or explosion. Dispose of property in accordance with federal or local regulations. Flammable refrigerant used.
- CAUTION** - Risk of fire or explosion due to puncture of refrigerant tubing. Follow handling instructions carefully. Flammable refrigerant used.
- CAUTION** - To prevent a child from being entrapped, keep out of reach of children and not in the vicinity of the cooler.
- CAUTION** - Flammable refrigerant used! When handling, moving and use of the refrigerator, make sure to avoid either damaging the refrigerant tubing, or increasing the risk of a leak.

IMPORTANT SAFEGUIDES



Before the appliance is used, it must be properly positioned and installed as described in this manual, so read the manual carefully. To reduce the risk of fire, electrical shock or injury when using the appliance, follow basic precaution, including the following:

DANGER

- Plug into a grounded 3-prong outlet, do not remove grounding prong, do not use an adapter, and do not use an extension cord.
- Replace all panels before operating.
- It is recommended that a separate circuit, serving only your appliance be provided. Use receptacles that cannot be turned off by a switch or pull chain.
- Never clean appliance parts with flammable fluids. These fumes can create a fire hazard or explosion. And do not store or use gasoline or other flammable vapors and liquids in the vicinity of this or any other appliance. The fumes can create a fire hazard or explosion.
- Before proceeding with cleaning and maintenance operations, make sure the power line of the unit is disconnected.
- Do not connect or disconnect the electric plug when your hands are wet.
- Unplug the appliance or disconnect power before cleaning or servicing. Failure to do so can result in electrical shock or death.
- Do not attempt to repair or replace any part of your appliance unless it is specifically recommended in this material. All other servicing should be referred to a qualified technician.
- Risk of child entrapment. Before you throw away your old refrigerator or freezer:
 - * Take off the doors.
 - * Leave the shelves in place so that children may not easily climb inside

WARNING

FOLLOW WARNING CALL OUTS BELOW ONLY WHEN APPLICABLE TO YOUR MODEL

- Use two or more people to move and install appliance. Failure to do so can result in back or other injury.
- To ensure proper ventilation for your appliance, the front of the unit must be completely unobstructed. Choose a well-ventilated area with temperatures above 60°F (16°C) and below 90°F (32°C). This unit must be installed in an area protected from the element, such as wind, rain, water spray or drips.
- The appliance should not be located next to ovens, grills or other sources of high heat.
- The appliance must be installed with all electrical connections in accordance with state and local codes. A standard electrical supply (115 V AC only, 60 Hz), properly grounded in accordance with the National Electrical Code and local codes and ordinances is required.
- Do not kink or pinch the power supply cord of appliance.
- The fuse (or circuit breaker) size should be 15 amperes.
- It is important for the appliance to be leveled in order to work properly. You may need to make several adjustments to level it.
- Never allow children to operate, play with or crawl inside the appliance.
- Do not use solvent-based cleaning agents or abrasives on the interior. These cleaners may damage or discolor the interior.
- Do not use this apparatus for other than its intended purpose.
- Keep ventilation openings, in the appliance enclosure or in the built-in structure, clear of obstruction.
- Do not use mechanical devices or other means to accelerate the defrosting process, other than those recommended by the manufacturer.
- Do not damage the refrigerant circuit.
- If the SUPPLY CORD is damaged, it must be replaced by the manufacturer, its service agent or similarly qualified persons in order to avoid a hazard.

HELP US HELP YOU...

Read this guide carefully.

It is intended to help you operate and maintain your new appliance properly.

Keep it handy to answer your questions. If you don't understand something or you need more assistance, please call:

**Avanti Customer Service
800-220-5570**

Keep proof of original purchase date (such as your sales slip) with this guide to establish the warranty period.

CAUTION:

**THIS APPLIANCE IS NOT
DESIGNED FOR THE STORAGE
OF MEDICINE OR OTHER
MEDICAL PRODUCTS.**

Write down the model and serial numbers.

You'll find them on a plate located on the rear outside wall of the appliance.

Please write these numbers here:

Date of Purchase

Model Number

Serial Number

Use these numbers in any correspondence or service calls concerning your appliance.

If you received a damaged appliance, immediately contact the dealer (or builder) that sold you the appliance.

Save time and money. Before you call for service, check the Troubleshooting Guide. It lists causes of minor operating problems that you can correct yourself.

IF YOU NEED SERVICE

We're proud of our service and want you to be pleased. If for some reason you are not happy with the service you receive, here are some steps to follow for further assistance.

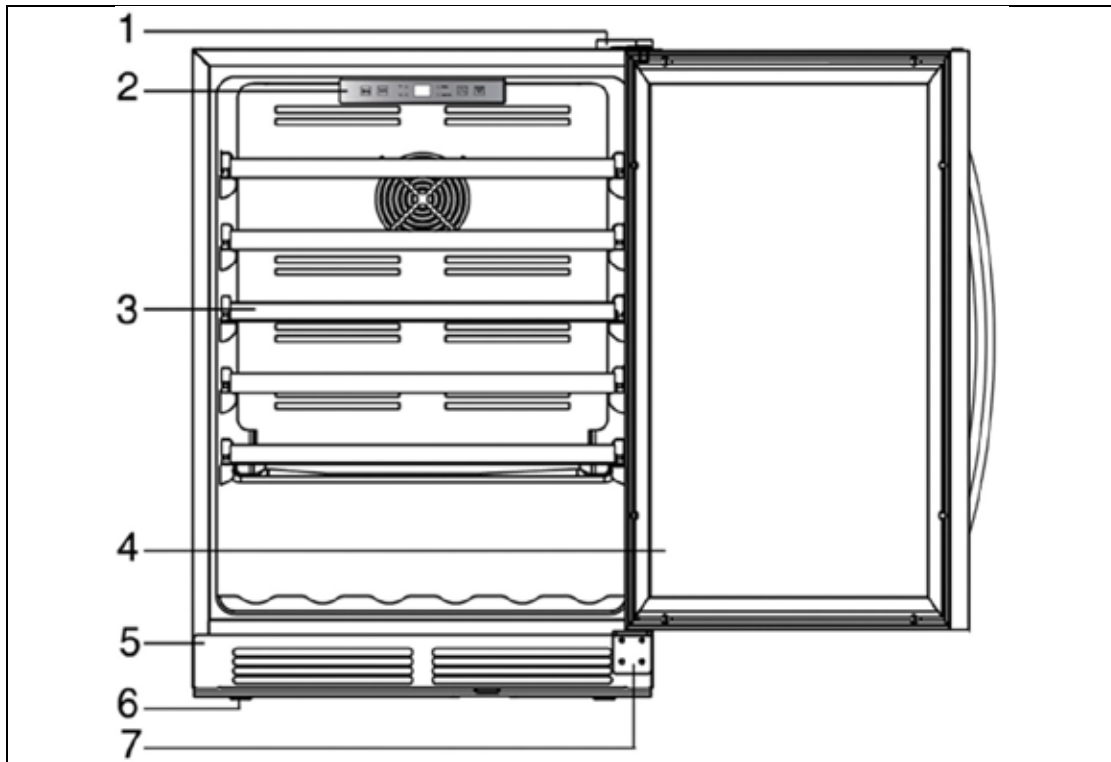
FIRST, contact the people who serviced your appliance. Explain why you are not pleased. In most cases, this will solve the problem.

NEXT, if you are still not pleased, write all the details, including your telephone number, and send it to:

**Customer Service
Avanti Products
10880 NW 30 Street
Miami, FL 33172 USA**

PARTS & FEATURES

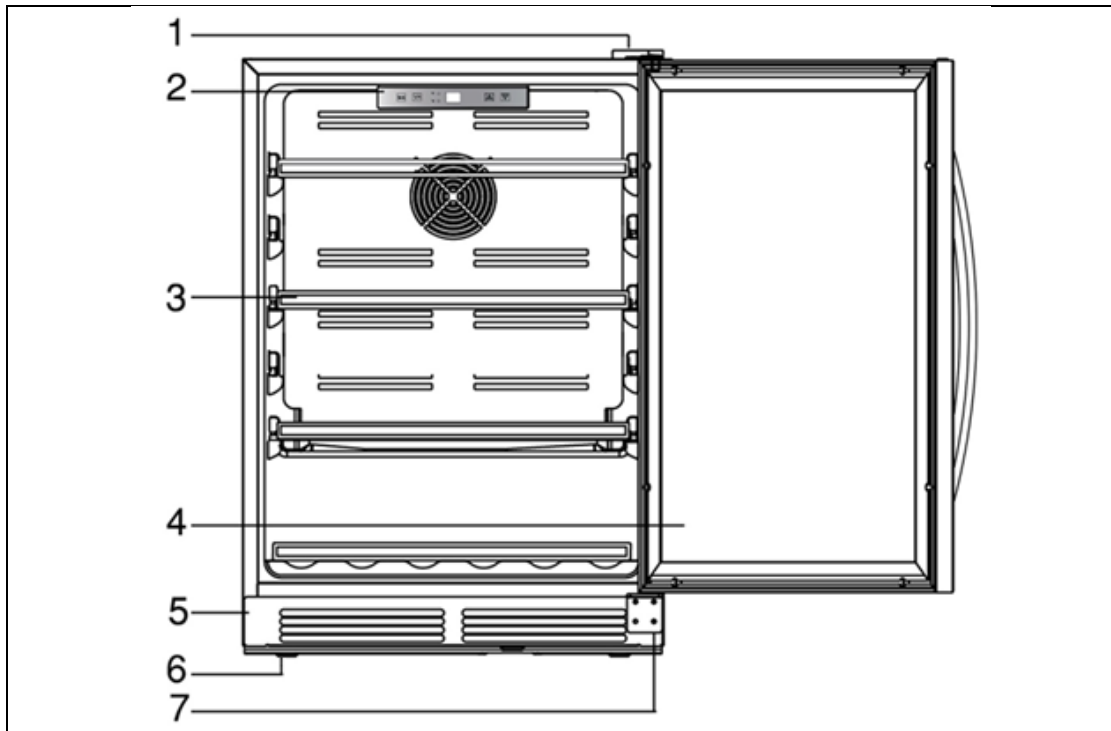
MODEL: WCB52T3S



1	Top Hinge
2	Temperature Control
3	Shelves (5)
4	Glass Door with Stainless Steel Frame and Handle
5	Front Grille
6	Leveling Legs
7	Bottom Hinge

PARTS & FEATURES

MODEL: BVB52T4S



1	Top Hinge
2	Temperature Control
3	Shelves (4)
4	Glass Door with Stainless Steel Frame and Handle
5	Front Grille
6	Leveling Legs
7	Bottom Hinge

IMPORTANT SAFETY INSTRUCTIONS

~ WARNING ~	To reduce the risk of fire, electrical shock, or injury when using your appliance, follow these basic precautions:
<ul style="list-style-type: none"> • Read all instructions before using the appliance. • DANGER or WARNING: Risk of child entrapment. Child entrapment and suffocation are not problems of the past. Junked or abandoned appliances are still dangerous . . . even if they will “just sit in the garage a few days”. • Before you throw away your old appliance: Take off the door. Leave the shelves in place so that children may not easily climb inside. • Never allow children to operate, play with, or crawl inside the appliance. • Never clean appliance parts with flammable fluids. The fumes can create a fire hazard or explosion. • Do not store or use gasoline or any other flammable vapors and liquids in the vicinity of this or any other appliance. The fumes can create a fire hazard or explosion. <p style="text-align: center;">-Save these instructions-</p>	

INSTALLATION INSTRUCTIONS

Before using your appliance

- Remove the exterior and interior packing.
- Check to be sure you have all of the following parts:

Model WCB52T3S	Model BVB52T4S
Shelves (5)	Shelves (4)
Stainless Steel Handle	Stainless Steel Handle
Instruction Manual	Instruction Manual

- Before connecting the appliance to the power source, let it stand upright for approximately 2 hours. This will reduce the possibility of a malfunction in the cooling system from handling during transportation.
- Clean the interior surface with lukewarm water using a soft cloth.
- Install the handle on the left side of the door.

Installation of your appliance

- This appliance is designed to be for free standing installation or built-in (fully recessed).
- Place your appliance on a floor that is strong enough to support it when it is fully loaded. To level your appliance, adjust the front levelling legs at the bottom of the appliance.
- Locate the appliance away from direct sunlight and sources of heat (stove, heater, radiator, etc.). Direct sunlight may affect the acrylic coating and heat sources may increase electrical consumption. Extreme cold ambient temperatures may also cause the unit not to perform properly.
- Avoid locating the unit in moist areas.
- Plug the appliance into an exclusive, properly installed-grounded wall outlet. Do not under any circumstances cut or remove the third (ground) prong from the power cord. Any questions concerning power and/or grounding should be directed toward a certified electrician or an authorized Avanti Products service center.

Built-in cabinet instructions

This unit is designed for either built-in or free standing installation. If you plan to use this unit in a built-in application please follow the requirements shown to the right.

Cabinet Opening Dimensions		
	Inches	Centimeters
Width	24	61
Depth	24	61
Height	35	89

Electrical connection

~ Warning ~ : Improper use of the grounded plug can result in the risk of electrical shock. If the power cord is damaged, have it replaced by an authorized Avanti service center.

This appliance should be properly grounded for your safety. The power cord of this appliance is equipped with a three-prong plug which mates with standard three prong wall outlets to minimize the possibility of electrical shock.

Do not under any circumstances cut or remove the third ground prong from the power cord supplied. For personal safety, this appliance must be properly grounded.

This appliance requires a standard 115/120 Volt AC ~/60Hz electrical ground outlet with three-prong. Have the wall outlet and circuit checked by a qualified electrician to make sure the outlet is properly grounded. When a standard 2-prong wall outlet is encountered, it is your responsibility and obligation to have it replaced with a properly grounded 3-prong wall outlet. The cord should be secured behind the appliance and not left exposed or dangling to prevent accidental injury.

The appliance should always be plugged into its own individual electrical outlet which has a voltage rating that matches the rating label on the appliance. This provides the best performance and also prevent overloading house wiring circuits that could cause a fire hazard from overheated. Never unplug the appliance by pulling the power cord. Always grip the plug firmly and pull straight out from the receptacle. Repair or replace immediately all power cords that have become frayed or otherwise damaged. Do not use a cord that shows cracks or abrasion damage along its length or at either end. When moving the appliance, be careful not to damage the power cord.

Extension cord

Because of potential safety hazards under certain conditions, it is strongly recommended that you do not use an extension cord with this appliance. However, if you must use an extension cord it is absolutely necessary that it be a UL/CUL-Listed, 3-wire grounding type appliance extension cord having a grounding type plug and outlet and that the electrical rating of the cord be 115 volts and at least 10 amperes.

Power bar with surge protection

Most electrical appliances use a series of electric control boards to operate. These boards are very susceptible to power surges and could be damaged or destroyed.

If the appliance is going to be used in an area or if your city / country is prone to power surges / outages; it is suggested that you use a power surge protector for all electrical devices / appliances you use. The surge protector that you select must have a surge block high enough to protect the appliance it is connected to. If you have any questions regarding the type and size of surge protector needed contact a licensed electrician in your area.

Damages due to power surges are not considered a manufacturer covered defect and will void your product warranty.

Installing the stainless steel handle

This appliance includes a stainless-steel handle. To install the handle please follow the below instructions:

1. Pull away the door gasket in the area where the handle is to be installed on the left side as shown below in **Illustration # 1**. The gasket is easily displaced by hand, no tools are necessary.
2. Align the handle with the screws installed. Tighten the screws using a Phillips head screwdriver until the handle sets both flush and secured tightly against the door frame. (DO NOT over tighten as this will cause damage to the handle assembly).
3. Replace the door gasket to its original position.
4. If you choose not to use the handle supplied, simply follow step 1 to access the installation screws and remove them and then place the two decorative plugs into the two holes separately. Continue on to step 3 to replace the door gasket to its original position.

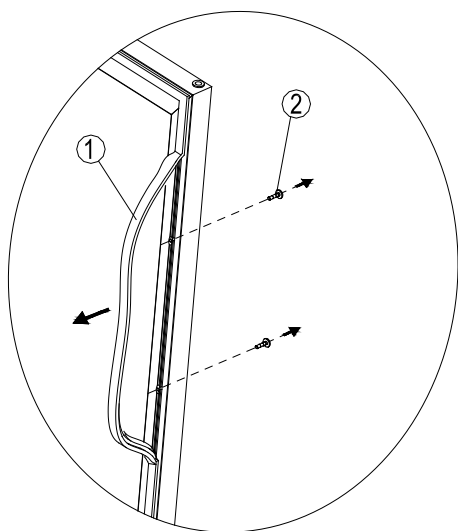


Illustration # 1

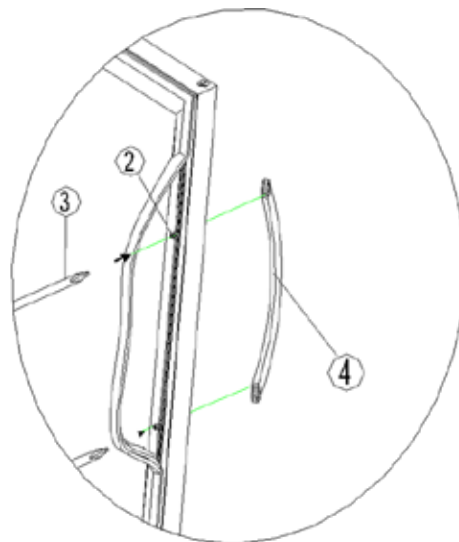


Illustration # 2

- | | |
|------------------------|-------------------------------|
| 1. Gasket | 3. Phillips Head Screw Driver |
| 2. Phillips Head Screw | 4. Handle |

OPERATING YOUR APPLIANCE

MODEL: WCB52T3S

It is recommended you install the appliance in a place where the ambient temperature is between 19°C-24°C (66°F-75°F). If the ambient temperature is above or below recommended temperatures, the performance of the unit may be affected. For example, placing your unit in extreme cold or hot conditions may cause interior temperatures to fluctuate. The range of 5°C-18°C (40°F-65°F) may not be reached.


Unit Temperature Range: 40° F – 65° F | 5° C - 18° C





Recommended temperature settings

Wine conservation:	50° F - 57° F	10° C - 14° C
Rose and Sparkling Wines:	40° F - 46° F	5° C - 8° C
Dry / White Wines:	48° F - 54° F	9° C - 12° C
Red Wines:	57° F - 65° F	14° C - 18° C



Setting the temperature control

You can select temperature display setting from Fahrenheit to Celsius degree by touching the  button. Fahrenheit or Celsius degrees indicator will appear in blue color in the temperature display window.

If you desire to change the temperature, set the temperature as you desire by touching the  or  button. The numbers in the display window will flash. The temperature that you desire to set will increase 1°F or 1°C if you touch the  button once; on the contrary the temperature will decrease 1°F or 1°C if you touch the  button once.

When you store mostly red wines, the temperature which you control by touching the above two buttons need to be set at 15°C-18°C (59°C-65°F).

When you store mostly white wines, the temperature needs to be set at 10°C-14°C (50°F-57°F)
When you store mostly sparkling wines, the temperature needs to be set at 5°C-8°C (40°F-46°F) The temperature inside the unit will be appeared in blue color in the display window.

NOTE: If the unit is unplugged, if the power is lost, or turned off, you must wait 3 to 5 minutes before restarting the unit. If you attempt to restart before this time delay, the appliance will not start.

When you use the appliance for the first time or restart the appliance after having been shut off for a long time, there could be a few degrees variance between the temperature you select and the one indicated on the LED readout. This is normal and it is due to the length of the activation time. Once the appliance is running for a few hours everything will be back to normal.

OPERATING YOUR BEVERAGE COOLER


MODEL: BVB52T4S





It is recommended you install the beverage cooler in a place where the ambient temperature is between 19°C-24°C (66°F-75°F). If the ambient temperature is above or below recommended temperatures, the performance of the unit may be affected. For example, placing your unit in extreme cold or hot conditions may cause interior temperatures to fluctuate. The range of 3°C-18°C (37°F-65°F) may not be reached.

Unit Temperature Range: 37° F – 65° F | 3° C - 18° C



Setting the temperature control

You can select temperature display setting from Fahrenheit to Celsius degree by touching the  button. Fahrenheit or Celsius degrees indicator will appear in blue color in the temperature display window.

If you desire to change the temperature, set the temperature as you desire by touching the  or  button. The numbers in the display window will flash. The temperature that you desire to set will increase 1°F or 1°C if you touch the  button once; on the contrary the temperature will decrease 1°F or 1°C if you touch the  button once.

NOTE: If the unit is unplugged, if the power is lost, or turned off, you must wait 3 to 5 minutes before restarting the unit. If you attempt to restart before this time delay, the beverage cooler will not start.

When you use the beverage cooler for the first time or restart the beverage cooler after having been shut off for a long time, there could be a few degrees variance between the temperature you select and the one indicated on the LED readout. This is normal and it is due to the length of the activation time. Once the beverage cooler is running for a few hours everything will be back to normal.

COMMON FEATURES FOR BOTH MODELS

Storage

Many bottles may differ in size and dimensions. As such the actual number of bottles you may be able to store may vary.

Ø **SHELVES**

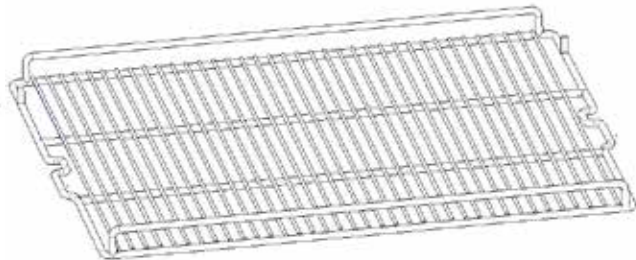
The wine chiller (WCB52T3S) is equipped with the five (5) wire shelves with wooden front trim. You can move the shelves out and in smoothly.

The beverage center (BVB52T4S) is equipped with the four (4) wire shelves. You can move the shelves out and in smoothly.

- To prevent damaging the door gasket, make sure to have the door all the way opened when pulling the shelves outward.
- For easy access to the storage content, you can pull the shelves outward to gain access to the items on the rear portion of the shelf, however this unit was designed with a plastic post on each sides of the shelf track to prevent the shelves from falling.
- When removing the shelf out of the inner rail, make sure to remove all items first. Then move the shelf to the position where the notch of shelf is exactly under the plastic post and lift the shelf. In order to replace the shelf, repeat steps described above in reverse.



WCB52T3S



BVB52T4S

Reversing the Door Swing of Your Appliance

This appliance has the capability of the door opening from either the left or right side. The unit is delivered to you with the door opening from the left side. Should you desire to reverse the opening direction, please call service for reversal instructions.

Cleaning your appliance

Turn off the power, unplug the appliance, and remove all items including shelves. Wash the inside surfaces with a warm water and baking soda solution. The solution should be about 2 tablespoons of baking soda to 1 cup of water.

Wash the shelves with a mild detergent solution. Wring excess water out of the sponge or cloth when cleaning area of the controls, or any electrical parts.

Wash the outside cabinet with warm water and mild liquid detergent. Rinse well and wipe dry with a clean soft cloth. Do not use steel wool or steel brush on the stainless steel. These will contaminate the stainless steel with steel particles and rusting may occur.

Power failure

Most power failures are corrected within a few hours and should not affect the temperature of your appliance if you minimize the number of times the door is opened. If the power is going to be off for a longer period of time, you need to take the proper steps to protect your contents.

Moving your appliance


- Remove all items (bottles)
- Tape down securely all loose items (shelves) inside your appliance.
- Turn the adjustable leg up to the base to avoid damage.
- Tape the door shut.
- Be sure the appliance stays secure in the upright position during transportation. If you absolutely need to transport the unit horizontally, transport the unit on its back (door on top). Also protect outside of appliance with a blanket, or similar item.

Energy saving tips

The appliance should be located in the coolest area of the room, away from heat producing appliances, and out of the direct sunlight.

TROUBLESHOOTING GUIDE

You can solve many common appliance problems easily, saving you the cost of a possible service call. Try the suggestions below to see if you can solve the problem before calling the servicer.

PROBLEM	POSSIBLE CAUSE	SOLUTION
Unit does not operate.	Not plugged in. The appliance is turned off. The circuit breaker tripped or a blown fuse.	Plug the unit. Press  to turn on the unit. Check the breaker and/or fuses.
Unit is not cold enough.	External environment may require a higher setting. The door is opened too often. The door is not closed completely. The door gasket does not seal properly.	Check the temperature control setting. Close the door properly. Check the door gasket.
The compressor turns on and off frequently.	The room temperature is hotter than normal. A large amount of contents has been added to the unit. The door is opened too often. The door is not closed completely. The temperature control is not set correctly. The door gasket does not seal properly.	Close the door properly. Check the door gasket.
The light does not work.	Not plugged in. The circuit breaker tripped or a blown fuse.	Plug the unit. Check the breaker and/or fuses.
Vibrations.	The unit is not levelled The bottles are vibrating. There is an object under the Unit.	Check to assure that the Unit is level. Make sure the bottles don't touch each other. Remove the object.
The unit seems to make too much noise.	The Unit is not level.	Level the unit. The rattling noise may come from the flow of the refrigerant, which is normal. As each cycle ends, you may hear gurgling sounds caused by the flow of refrigerant in your unit. Contraction and expansion of the inside walls may cause popping and crackling noises.
The door will not close properly.	The Unit is not level. The door was reversed and not properly installed. The gasket is dirty. The shelves are out of position.	Level the unit. Close the door properly. Clean the door gasket. Place the shelves properly.

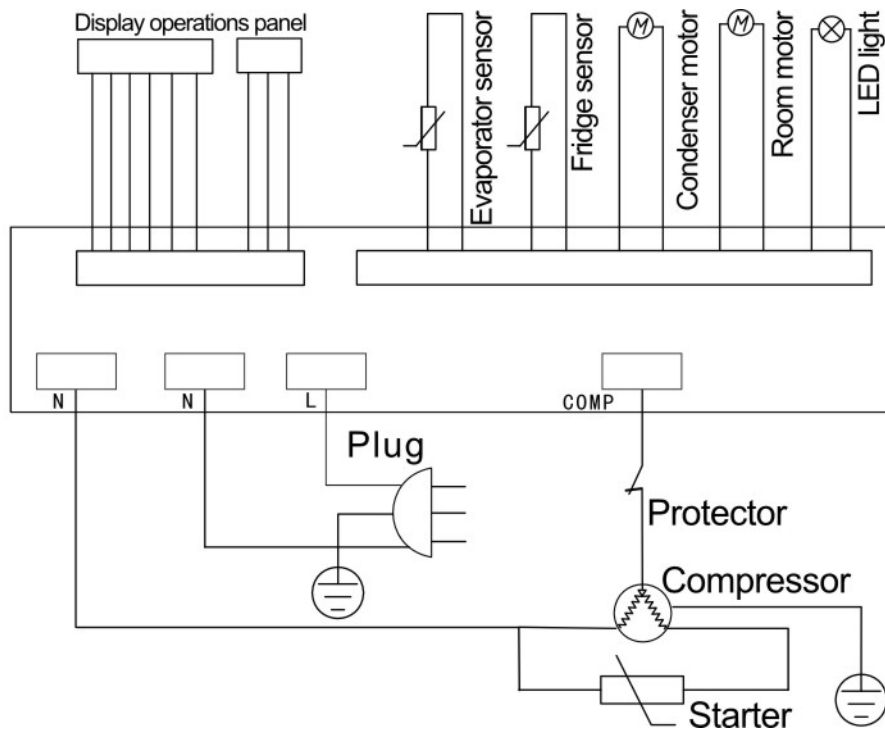
SERVICE FOR YOUR APPLIANCE

We are proud of our customer service organization and the network of professional service technicians that provide service on your Avanti appliances. With the purchase of your Avanti appliance, you can have the confidence that if you ever need additional information or assistance, the Avanti Products Customer Service team will be here for you. Just call us toll-free.

AVANTI PRODUCTS CUSTOMER SERVICES

Product Information 800-323-5029	Whatever your questions are about our products, help is available.
Part Orders 800-220-5570	You may order parts and accessories that will be delivered directly to your home by personal check, money order, Master Card, or Visa.
In-Home Repair Service 800-220-5570	An Avanti Products authorized service center will provide expert repair service, scheduled at a time that is convenient for you. Our trained servicers know your appliance inside and out.

WIRING DIAGRAM



<p align="center">YOUR AVANTI PRODUCTS WARRANTY</p>	<p>Staple your sales receipt here. Proof of original purchase date is needed to obtain service under warranty.</p>
<p>WHAT IS COVERED – LIMITED ONE-YEAR WARRANTY</p>	
<p>Avanti Products warrants that the product is free from defects in materials and/or workmanship for a period of twelve (12) months from the date of purchase by the original owner. The foregoing timeline begins to run upon the date of purchase, and shall not be stalled, tolled, extended, or suspended for any reason whatsoever unless described in detail in the warranty document. For one year from the date of purchase by the original owner, Avanti products will, at its option, repair or replace any part of the product which proves to be defective in material or workmanship under normal use. Avanti Products will provide you with a reasonably similar product that is either new or factory refurbished. During this period Avanti Products will provide all parts and labor necessary to correct such defects free of charge, so long as the product has been installed and operated in accordance with the written instructions in this manual. In rental or commercial use, the warranty period is 90 days. All Avanti appliances of 4.2 cubic feet capacity or less must be brought/sent to the appliance service center for repair.</p>	
<p>LIMITED SECOND THROUGH FIFTH YEAR WARRANTY</p>	
<p>For the second through the fifth year from the date of original purchase, Avanti Products will provide a replacement compressor free of charge due to a failure. You are responsible for the service labor and freight charges. In rental or commercial use, the limited compressor warranty is one year and nine months. Costs involved to move the product to the service center and back to the user's home, as maybe required, are the user's responsibility.</p>	
<p>WARRANTY EXCLUSIONS / WHAT IS NOT COVERED:</p>	
<p>The warranty coverage described herein excludes all defects or damage that are not the direct fault of Avanti Products, including without limitation, one or more of the following:</p>	
<ul style="list-style-type: none"> • A failure to comply with any applicable state, local, city, or county electrical, plumbing and/or building codes, regulations, or laws, including failure to install the product in strict conformity with local fire and building codes and regulations. • Any external, elemental and/or environmental forces and factors, including without limitation, rain, wind, sand, floods, fires, mud slides, freezing temperatures, excessive moisture or extended exposure to humidity, lightning, power surges, structural failures surrounding the appliance, and acts of God. • Content losses of food or other content due to spoilage. • Incidental or consequential damages • Parts and labor costs for the following will not be considered as warranty: <ul style="list-style-type: none"> • Inner door panels, door shelves, door rails, and/or door supports. • Light bulbs and/or plastic housing. • Plastic cabinet liners. • Punctured evaporator that voids the warranty on the complete sealed system. 	<ul style="list-style-type: none"> • Shipping and handling costs associated with the replacement of the unit. • Repairs performed by unauthorized servicers. • Service calls that are related to external problems, such as abuse, misuse, inadequate electrical power, accidents, fire, floods, or any other acts of God. • Failure of the product if it is used for other than it intended purpose. • The warranty does not apply outside the Continental USA. • Surcharges including but not limited to, any after hour, weekend, or holiday service calls, tolls, ferry trip charges, or mileage expense for service calls to remote areas.
<p>In no event shall Avanti Products have any liability or responsibility whatsoever for damage to surrounding property, including cabinetry, floors, ceilings, and other structures and/or objects around the product. Also excluded from this warranty are scratches, nicks, minor dents, and other cosmetic damages on external surfaces and exposed parts; Products on which the serial numbers have been altered, defaced or removed; service visits for customer education, or visits where there is nothing wrong with the product; correction of installation problems (you are solely responsible for any structure and setting for the product, including all electrical, plumbing and/or other connecting facilities, for proper foundation/flooring, and for any alterations including without limitation cabinetry, walls, floors, shelving etc., as well as the resetting of breakers or fuses.</p>	
<p>OUT OF WARRANTY PRODUCT</p>	
<p>Avanti Products is under no obligation, at law or otherwise, to provide you with any concessions, including repairs, pro-rates, or product replacement, once this warranty has expired.</p>	

INSTRUCCIONES DE SEGURIDAD

Su seguridad y la seguridad de los demás son muy importantes.

Hemos incluido muchos mensajes importantes de seguridad en este manual y en su electrodoméstico. Lea y obedezca siempre todos los mensajes de seguridad.



Éste es el símbolo de alerta de seguridad. Este símbolo le avisa de los peligros potenciales que pueden matar o lesionar a usted y otros. Toda la seguridad mensajes seguirá a la Seguridad Símbolo de alerta y cualquiera de los pabellones "PELIGRO", "ADVERTENCIA" o "PRECAUCIÓN".



Peligro significa que el incumplimiento de la medida de seguridad podría causar lesiones graves o la muerte.



Advertencia significa que si no se respeta esta medida de seguridad podría resultar en graves daños al producto, lesiones personales graves o la muerte.

CAUTION

Advertencia significa que si no se respeta esta medida de seguridad podría resultar en graves daños al producto, lesiones personales graves o la muerte.

Todo mensaje de seguridad le avisará a cuál es el peligro potencial, le dirán cómo reducir el riesgo de lesiones, y le hará saber lo que puede suceder si no se siguen las instrucciones.

GAS REFRIGERANTE INFLAMABLE

PELIGRO - Riesgos de incendio o explosión. Refrigerante inflamable usado.

NO use dispositivos mecánicos para descongelar el refrigerador. No pinche tubería refrigerante.

PELIGRO - Riesgos de incendio o explosión. Refrigerante inflamable usado. Para ser reparado sólo por personal de servicio técnico cualificado. No pinche tubería refrigerante.

PRECAUCIÓN - Riesgo de incendio o explosión. Refrigerante inflamable usado. Consulte el manual de reparación / manual del propietario antes de intentar reparar este producto. Todas las precauciones de seguridad que se deben seguir.

PRECAUCIÓN - Riesgo de incendio o explosión. Deshágase de los bienes de acuerdo con las regulaciones federales o locales. Refrigerante inflamable usado.

PRECAUCIÓN - Riesgo de incendio o explosión debido a la perforación de la tubería de refrigerante. Siga las instrucciones de manejo cuidadosamente. Refrigerante inflamable usado.

PRECAUCIÓN - Para evitar que un niño está atrapado, mantener fuera del alcance de los niños y no en las proximidades de la nevera.

PRECAUCIÓN - refrigerante inflamable usado! Al manejar, el movimiento y el uso del refrigerador, asegúrese de evitar tanto daños en el tubo de enfriamiento, o aumentando el riesgo de una fuga.

INSTRUCCIONES DE SEGURIDAD

ATENCION

INSTRUCCIONES PARA LA CONEXION A TIERRA

Este aparato electrodoméstico debe estar conectado a tierra. En caso de un cortocircuito eléctrico, la conexión a tierra reduce el riesgo de choque eléctrico proporcionando un cable a tierra con un enchufe de conexión a tierra. Este enchufe debe estar conectado en un tomacorriente instalado correctamente y conectado a tierra.

ADVERTENCIA – El uso inadecuado del enchufe de conexión a tierra puede resultar en un riesgo de choque eléctrico. Consulte con un electricista o persona de reparaciones competente si no comprenden bien las instrucciones de conexión a tierra o si existe alguna duda sobre si el aparato está conectado a tierra correctamente.

NO USE UN CORDON DE PROLONGACION ELECTRICA

Use un tomacorriente de pared exclusivo. No conecte su vinera a cordones de prolongación eléctrica o junto a cualquier otro electrodoméstico en el mismo tomacorriente de pared.

ADVERTENCIA IMPORTANTE:

Una vinera vacía es una atracción muy peligrosa para los niños. Saque todas las juntas, pestillos, tapas o puerta de todo electrodoméstico que no esté en uso, o tome alguna medida para asegurar que no presente peligro.

INSTRUCCIONES DE INSTALACION

Saque los embalajes exteriores, limpie bien el exterior con un paño suave seco, y el interior con un paño húmedo y tibio. Evite colocar la vinera cerca de una fuente de calor, luz de sol directa, o lugar húmedo.

Ubicación

1. Seleccione un lugar con su piso fuerte y nivelado.
2. Evite la luz directa del sol o calor. La luz directa del sol puede afectar la capa de acrílico. Las fuentes de calor en su proximidad provocarán un consumo mayor de electricidad.

OPERACION



Para evitar vibraciones, el compartimiento interior debe estar bien nivelado. La temperatura variará dependiendo de la cantidad de botellas almacenadas y la frecuencia con que se abre la puerta.

Cuando el electrodoméstico no se use por un período largo, desconecte el enchufe y deje la puerta entreabierta.

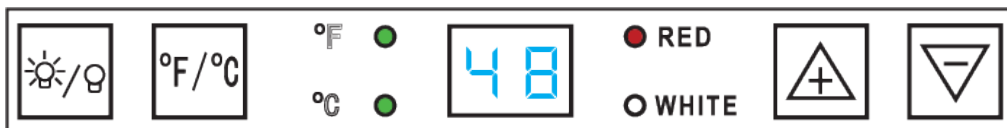
Nota: Espere entre 3 a 5 minutos antes de volver a encender si el funcionamiento ha sido interrumpido.



Se recomienda que Ud. coloque su electrodoméstico en un lugar donde la temperatura ambiental se mantenga entre 23-25 grados centígrados.

Si la temperatura ambiental oscila afuera de esos límites, pueda afectar la temperatura de la caja. Por ejemplo, si su unidad está situada en lugares donde hay temperaturas muy frías o calientes también puede afectar la temperatura de la caja.

 Ud. puede seleccionar los grados centígrados o Fahrenheit presionando el botón marcado . En la pantalla digital aparecerá el F o C indicador en color verde.

Modelo: WCB52T3S – Solamente





Oprima el botón marcado () una vez y la temperatura aumentará un grado. Si Ud. oprime el botón marcado () una vez la temperatura bajará un grado.

Modelo: BVB52T4S – Solamente



El rango de temperatura de su enfriador de bebidas es de 37° a 65°F (3° a 18°C).

Oprima el botón marcado () una vez y la temperatura aumentará un grado. Si Ud. oprime el botón marcado () una vez la temperatura bajará un grado.

Descongelación

Su vinera ha sido diseñada con un sistema de descongelación de “ciclo automático”.

Las superficies refrigeradas del compartimiento se descongelan automáticamente, durante el ciclo “apagado” del control de enfriamiento (termostato). El agua descongelada del compartimiento es eliminada automáticamente, encauzándola hacia una bandeja de goteo ubicado en el compresor. La transferencia de calor del compresor evapora el agua.

ADVERTENCIA

Asegúrese de tener la puerta abierta completamente si Ud desea remover las repisas o moverlas hacia adelante para extraer una botella.

NOTA:

Para remover las repisas corredizas, vacíe las repisas antes de sacarlas. Hálelas aproximadamente un tercio hacia afuera hasta que la marca en el raíl se alinee con el poste plástico en ambos lados. Levante cada repisa y sáqueala suavemente de la unidad. Para reemplazar de nuevo la repisa, repita los pasos anteriores en dirección opuesta.

Como cambiar la dirección de apertura de la puerta

En caso de que necesite cambiar el lado de apertura de la puerta, por favor consulte al servicio pos-venta de su localidad.

Limpieza

Para limpiar el interior, use un paño suave con una solución de una cucharada de bicarbonato de sodio por cada cuarto de agua, o una solución de espuma de jabón suave, o un detergente suave. Para lavar las rejillas, sáquelas deslizándolas con cuidado, y use una solución de detergente suave; luego séquelas con un paño suave. Limpie el exterior con un paño húmedo suave y un poco de detergente suave o productos de limpieza para electrodomésticos.

Corte de corriente

La mayoría de los cortes de corriente se corrigen en una o dos horas y no afectarán las temperaturas de su electrodoméstico. Sin embargo, Ud. deberá reducir la cantidad de veces que abra la puerta cuando la corriente esté apagada.

Si Ud. se muda

Saque o asegure todos los artículos dentro de su electrodoméstico. Para evitar que los tornillos nivelantes se averíen, gírelos completamente hacia la base.

SÉCURITÉ RELATIVE À L'APPAREIL

Votre sécurité et celle des autres nous importent au plus haut point.

Ce manuel ainsi que votre appareil contiennent des symboles de sécurité dont vous devez tenir compte et que vous devez respecter en tout temps.



Voici le symbole de sécurité. Ce symbole vous prévient des dangers potentiels susceptibles de vous tuer ou de vous blesser ainsi que votre entourage. Tous les signaux de sécurité seront précédés de ce symbole ainsi que des termes « DANGER », « AVERTISSEMENT » et « ATTENTION ».



« Danger » signifie que le fait de ne pas tenir compte de ce signal de sécurité pourrait entraîner des blessures corporelles ou la mort.



« Avertissement » signifie que le fait de ne pas tenir compte de ce signal peut causer des dommages matériels importants au produit, des blessures corporelles graves et même la mort.



« Attention » signifie que le fait de ne pas tenir compte de ce signal peut causer des blessures corporelles mineures et des dommages à la propriété ou à l'équipement.

Les signaux de sécurité vous serviront à repérer les dangers potentiels, à réduire les risques de blessure et à comprendre ce qui pourrait se produire si les instructions n'étaient pas suivies.

GAZ RÉFRIGÉRANT INFLAMMABLE

DANGER - Risque d'incendie ou d'explosion. Réfrigérant inflammable utilisé. Ne pas utiliser de dispositifs mécaniques pour dégivrer l'appareil. Ne pas percer la tuyauterie contenant le réfrigérant

DANGER - Risque d'incendie ou d'explosion. Réfrigérant inflammable utilisé. Doit être réparé que par du personnel qualifié. Ne pas percer la tuyauterie contenant le réfrigérant.

AVERTISSEMENT - Risque d'incendie ou d'explosion. Réfrigérant inflammable utilisé. Consultez le manuel d'instruction avant d'essayer de réparer ce produit. Toutes les précautions doivent être suivies.

AVERTISSEMENT - Risque d'incendie ou d'explosion. Réfrigérant inflammable utilisé. Défaites-vous du produit conformément à la réglementation fédérale ou locale.

AVERTISSEMENT - Risque d'incendie ou d'explosion dus à la perforation des tuyaux de fluide réfrigérant, suivez attentivement les instructions remises. Réfrigérant inflammable utilisé.

AVERTISSEMENT - Réfrigérant inflammable utilisé! Lors de la manipulation, le déplacement et l'utilisation du réfrigérateur, assurez-vous d'éviter soit d'endommager le tube de réfrigérant, ou en augmentant le risque d'une fuite.

CONSEILS DE SÉCURITÉ IMPORTANTS



Avant toute utilisation, l'appareil doit être convenablement positionné et installé comme il est décrit dans ce manuel, il est donc nécessaire de le lire attentivement. Pour réduire les risques d'incendie, d'électrocution ou de blessure lors de l'utilisation de l'appareil, nous vous recommandons de suivre les mesures de sécurité suivantes :

DANGER

- Branchez l'appareil à une prise triphasée mise à la terre, ne retirez pas la broche de masse, ne pas utiliser d'adaptateur ni de rallonge.
- Remplacez tous les panneaux avant de mettre en marche l'appareil.
- Il est recommandé de ne pas brancher cet appareil dans la prise d'un autre appareil ni dans une prise qui peut être éteinte par un interrupteur ou par une chaîne de traction.
- Ne nettoyez jamais les pièces de l'appareil avec des liquides inflammables. Les vapeurs provoquées par ces liquides risquent de déclencher un incendie ou une explosion dangereuse.
- Ne placez pas l'appareil près d'essence ou de tout autre produit liquide ou gazeux inflammable. La fumée que ces produits dégagent pourrait déclencher un incendie ou une explosion dangereuse.
- Évitez les risques d'électrocution en débranchant l'appareil avant de procéder à son nettoyage ou à sa réparation.
- Lorsque vous branchez ou débranchez l'appareil, assurez-vous que vos mains sont bien sèches.
- Ne tentez pas de réparer l'appareil ni d'en remplacer une pièce à moins que ce ne soit spécifiquement recommandé dans ce manuel. Laissez à un technicien qualifié le soin de procéder à toute réparation non recommandée.

WARNING

- Déplacez l'appareil à deux ou à plusieurs personnes afin d'éviter les blessures.
- Pour assurer la ventilation convenable de l'appareil, laissez-en le devant complètement dégagé. Choisissez une pièce bien aérée d'une température entre 16 à 32 °C, à l'abri des éléments tels que le vent et la pluie ainsi que l'eau pulvérisée et en gouttes.
- Ne placez pas l'appareil à proximité d'un four, d'une cuisinière ou de toute autre source de chaleur.
- Installez l'appareil avec tous les branchements électriques requis par les codes provinciaux. Une alimentation électrique standard (115 Volts CA uniquement et 60Hz) convenablement reliée à la terre et conforme au Code canadien de l'électricité et aux codes et aux ordonnances locaux est requise.
- Faites attention de ne pas plier ni coincer le cordon d'alimentation de l'appareil.
- L'intensité du fusible (ou du disjoncteur) doit être de 15 ampères.
- Il est important que l'appareil soit à niveau afin qu'il fonctionne correctement. Il se peut que vous deviez faire plusieurs ajustements pour y arriver.
- Ne laissez pas d'enfants jouer avec l'appareil.
- Pour nettoyer l'appareil, n'utilisez pas d'agents abrasifs à base de solvant qui pourraient endommager ou décolorer les surfaces.
- N'utilisez l'appareil qu'aux fins auxquelles il a été conçu.

AIDEZ-NOUS À VOUS AIDER...

Lisez attentivement le présent guide d'utilisation.

Il a été conçu pour vous aider à utiliser et à entretenir votre nouvel appareil.

Conservez-le à portée de la main pour vous y référer au besoin. Si quelque chose vous échappe ou que vous avez besoin de renseignements supplémentaires, écrivez-nous à :

Avanti Products
10880 NW 30 Street
Miami, FL 33172

Conservez une preuve originale de la date d'achat (tel que le reçu de caisse) avec le présent guide afin de pouvoir établir la période de garantie.

ATTENTION!

CE L'APPAREIL N'EST PAS CONÇU POUR
L'ENTREPOSAGE DE MÉDICAMENTS OU DE
TOUT AUTRE PRODUIT PHARMACEUTIQUE.

Inscrivez les numéros de modèle et de série

Vous les trouverez sur un autocollant situé à l'arrière de l'appareil.

Veillez inscrire ces numéros ci-dessous :

Date d'achat

Numéro de modèle

Numéro de série

Indiquez ces numéros dans toute correspondance ou lors de tout appel de service concernant votre appareil.

Si vous avez reçu un appareil endommagé, avisez-en immédiatement le détaillant qui vous a vendu le l'appareil.

Économisez temps et argent. Avant de faire appel à nos services, vérifiez la liste des problèmes de fonctionnement mineurs faciles à résoudre dressée dans le présent guide.

POUR TOUTE ASSISTANCE

Nous sommes fiers de notre service et désirons votre entière satisfaction. Si, pour une quelconque raison, vous n'êtes pas satisfaits du service, voici quelques étapes à suivre pour obtenir une aide supplémentaire.

Tout d'abord, communiquez avec le service de réparation avec lequel vous avez fait affaire. Expliquez les raisons de votre insatisfaction. Dans la plupart des cas, cela résoudra le problème.

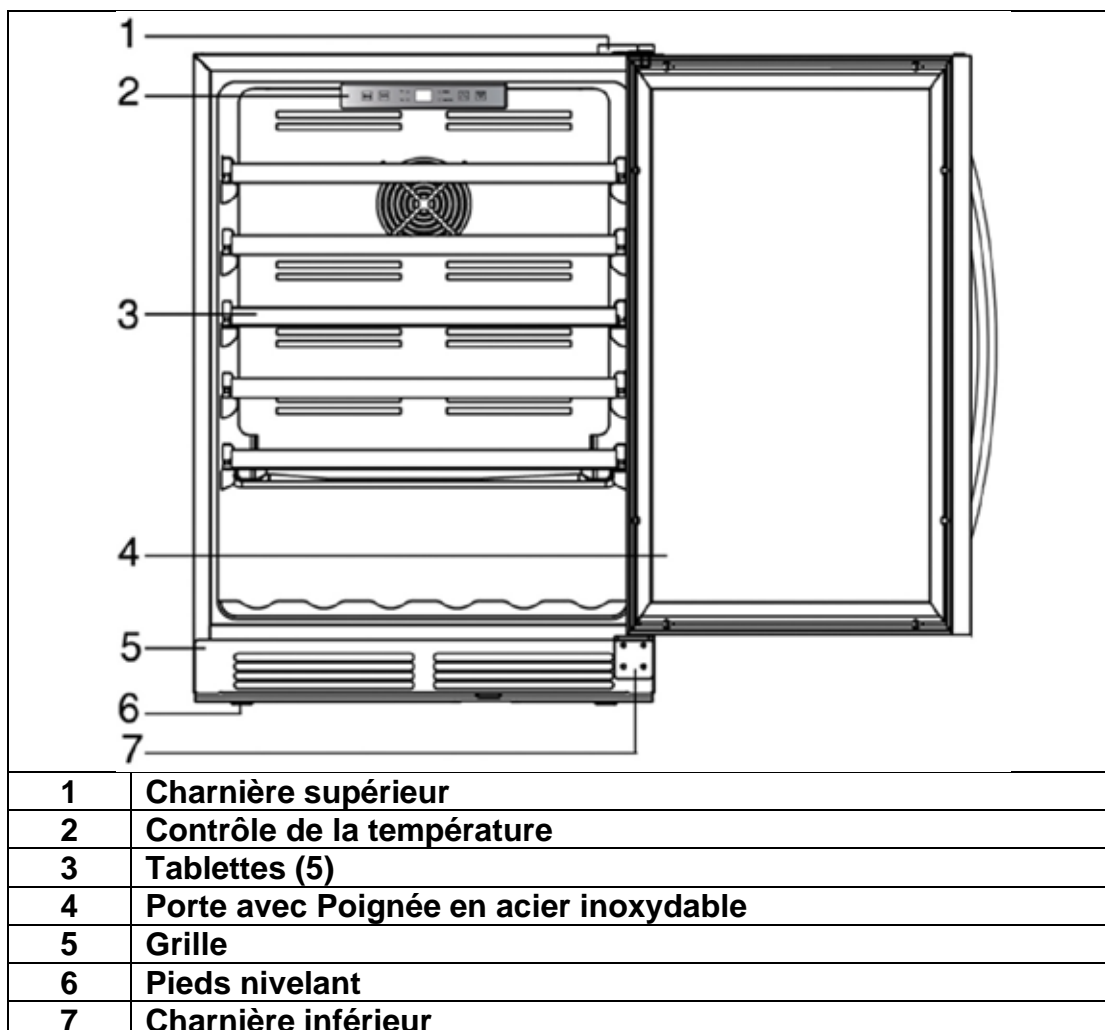
Ensuite, si vous n'êtes toujours pas satisfait, consignez tous les détails par écrit, accompagnés de votre numéro de téléphone, et envoyez-les à :

Avanti – Service à la clientèle
10880 NW 30 Street
Miami, FL 33172 USA

1-800-220-5570

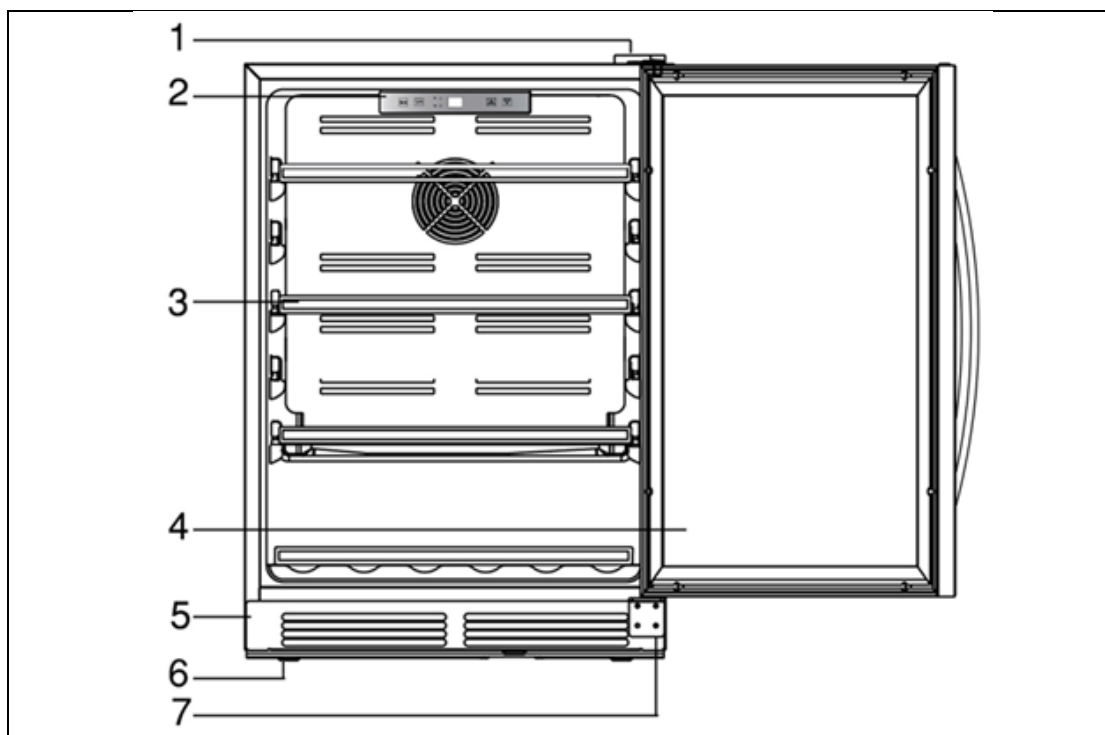
PIÈCES ET CARACTÉRISTIQUES

MODELÉ: WCB52T3S



PIÈCES ET CARACTÉRISTIQUES

MODELÉ: BVB52T4S



1	Charnière supérieur
2	Contrôle de la température
3	Tablettes (4)
4	Porte avec Poignée en acier inoxydable
5	Grille
6	Pieds nivelant
7	Charnière inférieur

CONSIGNES DE SÉCURITÉ IMPORTANTES

~ AVERTISSEMENT ~	Pour diminuer les risques d'incendie, d'électrocution ou d'accident pendant l'utilisation de votre appareil, veuillez suivre les mesures de sécurité suivantes :
<ul style="list-style-type: none">- Veuillez lire toutes les instructions avant d'utiliser l'appareil.- DANGER ou AVERTISSEMENT : Les risques d'enfermement ou de suffocation pour les enfants demeurent une réalité. Les appareils abandonnés ou jetés demeurent un danger, même s'ils ne sont placés dans le garage que pour quelques jours.- Avant de jeter votre ancien appareil, enlevez les portes et laissez les tablettes à leur place afin que les enfants ne puissent pas se glisser facilement à l'intérieur.- Ne laissez pas d'enfants jouer avec l'appareil.- Ne nettoyez jamais les pièces de l'appareil avec des liquides inflammables. Les vapeurs provoquées par ces liquides risquent de déclencher un incendie ou une explosion dangereuse.- Ne placez pas l'appareil près d'essence ou de tout autre produit liquide ou gazeux inflammable. La fumée que ces produits dégagent pourrait déclencher un incendie ou une explosion dangereuse. <p style="text-align: center;">- Conservez ces instructions -</p>	

PRÉPARATION ET INSTALLATION DU L'APPAREIL

Préparation du l'appareil

- Retirez l'emballage extérieur et intérieur. Lisez le mode d'emploi.
- Assurez-vous d'avoir toutes les pièces suivantes :

Modelé : WCB52T3S	Modelé : BVB52T4S
Tablettes (5)	Tablettes (4)
Pognée en acier inoxydable	Poignée en acier inoxydable
Manuel d'instructions	Manuel d'instructions

- Placez l'appareil à l'endroit qui lui est réservé puis attendez environ deux heures avant de le brancher. Vous éviterez ainsi des troubles de fonctionnement au niveau du système de refroidissement possiblement occasionnés lors du transport.
- Nettoyez les surfaces intérieures avec un chiffon doux imbibé d'eau tiède.
- Installez la poignée du côté gauche.

Installation du l'appareil

- Cet appareil autoportant est aussi encastrable. Il doit être placé sur une surface solide qui en supportera le poids une fois rempli. Mettez-le à niveau en ajustant les pieds réglables à l'avant de l'appareil.
- Placez l'appareil à l'abri des rayons du soleil et de sources de chaleur (four, chauffage, radiateur, etc.). Une exposition directe à la lumière du soleil peut affecter le revêtement acrylique de l'appareil et les sources de chaleur peuvent en faire augmenter la consommation d'électricité. Des températures ambiantes extrêmement froides peuvent aussi causer des problèmes de fonctionnement.
- Évitez d'installer l'appareil dans des endroits humides comme par exemple un garage.
- Branchez l'appareil seul dans une prise murale mise à la terre. Ne coupez ni enlevez sous aucun prétexte la troisième broche du cordon d'alimentation. Adressez toute question concernant l'électricité ou la mise à la terre à un électricien certifié ou à un centre de service Avanti agréé.

Encastrement

Cet appareil est prévu pour une installation autoportante ou encastrée. Si vous pensez l'utiliser encastré, veuillez suivre les conditions présentées ci-contre

Dimensions de l'encastrement		
	Pouces	Centimètres
Largeur minimale	24	61
Profondeur minimale	24	61
Hauteur minimale	35	89

Branchement au réseau électrique

~ **AVERTISSEMENT** ~ : Une mauvaise utilisation de la prise mise à la terre peut présenter des risques d'électrocution. Si le cordon d'alimentation est endommagé, faites-le remplacer par un centre de service Avanti agréé.

Pour votre sécurité, l'appareil doit être convenablement mis à la terre. Afin de minimiser les risques d'électrocution, le cordon d'alimentation de cet appareil est muni d'une prise à trois broches qui se branche dans une prise murale standard à trois broches.

Ne coupez pas et n'enlevez pas, sous aucun prétexte, la troisième broche du cordon d'alimentation. Pour votre sécurité, l'appareil doit être convenablement mis à la terre.

Cet appareil est conçu pour fonctionner avec une prise de courant mise à la terre standard à trois broches de 115/120 V c.a. et 60 Hz. Faites vérifier la prise murale et le circuit électrique par un électricien qualifié pour vous assurer que la prise de courant est bien mise à la terre. Si la prise murale comporte deux broches, vous devez la remplacer ou la faire remplacer par une prise murale à trois broches mise à la terre. Gardez le cordon d'alimentation derrière l'appareil ou enroulé de façon à éviter les blessures accidents.

L'appareil doit toujours être branché seul à une prise murale dont la tension correspond à celle indiquée afin d'offrir le meilleur fonctionnement possible, mais aussi d'éviter une surchauffe des circuits électriques qui pourrait provoquer un incendie. Ne débranchez jamais l'appareil en tirant sur le cordon d'alimentation. Tenez plutôt fermement la fiche. Réparez ou remplacez immédiatement le cordon d'alimentation s'il est effilé ou abîmé. N'utilisez jamais de cordon d'alimentation fissuré ou usé au niveau de la gaine ou de la fiche. Lorsque vous devez déplacer l'appareil, assurez-vous de ne pas abîmer le cordon d'alimentation.

Rallonge

En raison des dangers potentiels qu'elles présentent dans certaines circonstances, il est fortement recommandé de ne pas utiliser de rallonge avec cet appareil. Cependant, s'il est nécessaire d'en utiliser une, il est indispensable qu'elle soit homologuée par la CSA/CUL/UL de 115 volts, à trois conducteurs avec prise triphasée mise à la terre et d'au moins 10 ampères.

Parasurtenseur (Powerbar)

La plupart des appareils électriques fonctionnent au moyen de divers tableaux de commande électriques. Ils sont très sensibles aux surtensions qui peuvent les endommager ou les détruire.

Si cet appareil doit être utilisé dans une région/ville/pays où les surtensions et les pannes de courant sont fréquentes, il est recommandé d'utiliser un parasurtenseur pour tous les appareils électriques que vous utilisez. Le parasurtenseur que vous choisirez doit être muni d'un bloc parasurtenseur suffisamment haut pour protéger l'appareil auquel il est branché. Pour toute question concernant le modèle ou la taille du parasurtenseur approprié pour vos besoins, communiquez avec un électricien agréé de votre région.

Les dommages causés par des surtensions ne sont pas considérés comme un vice du fabricant et annuleront la garantie du produit.

Installation de la poignée

Ce l'appareil comprend une poignée en acier inoxydable. Pour installer la poignée, veuillez suivre les étapes suivantes :

1. Retirez le coupe-froid de porte à l'endroit où la poignée doit être installée, du côté gauche de la porte, tel qu'illustré ci-dessous. Vous n'aurez pas besoin d'outil puisque le coupe-froid se retire à la main. Vous pouvez commencer par un coin si vous n'arrivez pas à le défaire à partir du centre.
2. À l'aide d'un tournevis plat, retirez les deux vis du côté de l'intérieur de la porte. Retirez les bouchons décoratifs du côté gauche de la porte comme dans illustration 1. Gardez les bouchons décoratifs.
3. Utilisez les deux vis de poignée cruciformes incluses dans le sac contenant le mode d'emploi et insérez-les dans le côté de la porte, de l'intérieur vers l'extérieur tel qu'illustré ci-dessous (2).
4. Alignez les trous de la poignée aux vis, serrez les vis à l'aide du tournevis jusqu'à ce que la base de la poignée arrive au niveau de la porte et que la poignée soit bien serrée mais pas trop de façon à ne pas en endommager l'assemblage.
5. Remettez le coupe-froid de la porte en place.

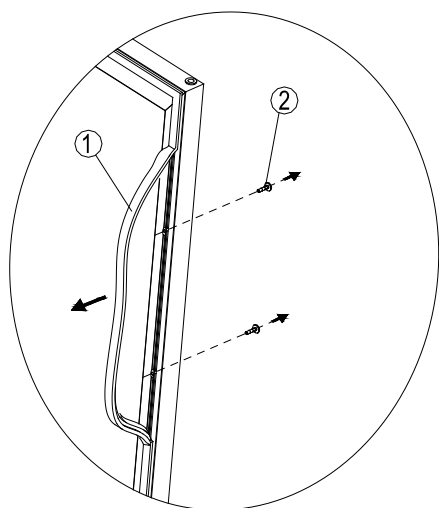


Illustration # 1

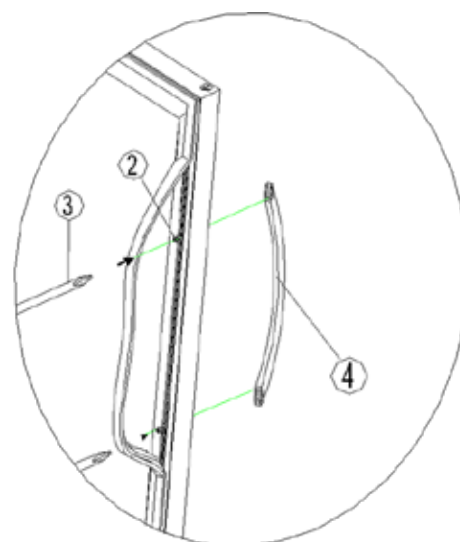


Illustration # 2

1. Coupe-froid
2. Vis cruciforme (2)

3. Tournevis cruciforme
4. Poignée en acier inoxydable

FONCTIONNEMENT DE L'APPAREIL

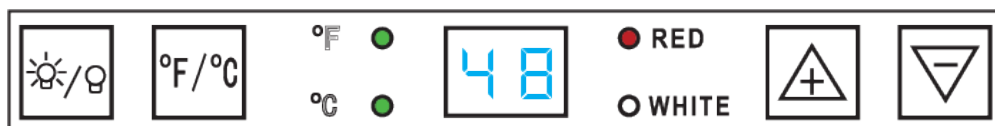
MODELÉ : WCB52T3S - SEULEMENT

Il est recommandé de placer l'appareil dans un endroit où la température ambiante se situe entre 19° et 24°C (66°F-75°F). Si la température ambiante est supérieure ou inférieure à la température recommandée, il se peut que le fonctionnement de l'appareil en soit affecté. Par exemple, exposer votre appareil à un froid extrême ou à de fortes chaleurs peut faire fluctuer les températures intérieures et empêcher l'atteinte de l'amplitude de 5° à 18°C (40°F-65°F).

Plage de température 40° F – 65° F | 5° C - 18° C

Recommandation relatives à la température

Conservation du vin:	50° F - 57° F		10° C - 14° C
Vins mousseux et rosés:	40° F - 46° F		5° C - 8° C
Vins secs et blancs:	48° F - 54° F		9° C - 12° C
Vins rouges:	57° F - 65° F		14° C - 18° C



Réglage de la température

Vous pouvez choisir d'afficher la température en Fahrenheit ou en Celsius en touchant le bouton . La sélection apparaîtra en bleue dans la fenêtre d'affichage.

Si vous désirez changer la température, Appuyer sur un des 2 boutons suivants : ou . La température augmentera 1°F ou 1°C si vous touchez le bouton une fois. En touchant le bouton , la température diminuera 1°F ou 1°C.

Quand vous conservez surtout des vins rouges, la température doit être située entre 15°C-18°C (58°F- 65 °F). Quand vous conservez surtout des vins blancs, la température doit être situé entre 10°C-14°C (50°F- 57°F). Quand vous conservez surtout des vins mousseux, la température doit être situé entre 5°C-8°C (40°F-46°F).

La température à l'intérieur de l'unité apparaîtra en bleue dans la fenêtre d'affichage.

REMARQUE : En pressant sur l'interrupteur , le l'appareil arrêtera son cycle de refroidissement mais ne coupera pas le courant. Si l'appareil est débranché, éteint ou qu'il y a une panne de courant, il faudra attendre entre trois et cinq minutes avant de redémarrer l'appareil. Si vous tentez de le faire avant ce délai, l'appareil ne redémarrera pas.

Si vous utilisez l'appareil pour la première fois ou que vous le redémarrez après qu'il ait été arrêté pendant une longue période, il pourrait y avoir un décalage de quelques degrés entre la température que vous avez sélectionnée et celle indiquée sur l'affichage à DEL. Ceci est normal étant donné la durée du temps d'activation. Lorsque l'appareil aura fonctionné quelques heures, tout rentrera dans l'ordre.

FONCTIONNEMENT DE L'APPAREIL

MODELÉ : BVB52T4S - SEULEMENT

Il est recommandé de placer l'appareil dans un endroit où la température ambiante se situe entre 19° et 24°C (66°F-75°F). Si la température ambiante est supérieure ou inférieure à la température recommandée, il se peut que le fonctionnement de l'appareil en soit affecté. Par exemple, exposer votre appareil à un froid extrême ou à de fortes chaleurs peut faire fluctuer les températures intérieures et empêcher l'atteinte de l'amplitude de 3° à 18°C (37°F-65°F).

Unit Temperature Range: 37° F – 65° F | 3° C - 18° C



Réglage de la température

Vous pouvez choisir d'afficher la température en Fahrenheit ou en Celsius en touchant le bouton . La sélection apparaîtra en bleue dans la fenêtre d'affichage.

Appuyer sur un des 2 boutons suivants : ou . La température augmentera 1°F ou 1°C si vous touchez le bouton une fois. En touchant le bouton , la température diminuera 1°F ou 1°C.

REMARQUE : En appuyant sur l'interrupteur , le refroidisseur à breuvage arrêtera son cycle de refroidissement mais ne coupera pas le courant. Si l'appareil est débranché, éteint ou qu'il y a une panne de courant, il faudra attendre entre trois et cinq minutes avant de redémarrer l'appareil. Si vous tentez de le faire avant ce délai, l'appareil ne redémarrera pas.

Si vous utilisez l'appareil pour la première fois ou que vous le redémarrez après qu'il ait été arrêté pendant une longue période, il pourrait y avoir un décalage de quelques degrés entre la température que vous avez sélectionnée et celle indiquée sur l'affichage à DEL. Ceci est normal étant donné la durée du temps d'activation. Lorsque l'appareil aura fonctionné quelques heures, tout rentrera dans l'ordre.

CARACTÉRISTIQUES COMMUNES POUR TOUS LES MODÈLES

Capacité d'entreposage

Les bouteilles peuvent varier en taille et en dimension. Ainsi, le nombre réel de bouteilles qu'il vous sera possible d'entreposer variera également.

Tablettes

Le refroidisseur à vin (WCB52T3S) est équipé des cinq (5) étagères en fil avec garniture avant en bois. Vous pouvez déplacer les étagères vers l'extérieur et en douceur.

Le centre de boissons (BVB52T4S) est équipé des quatre (4) grilles métalliques.

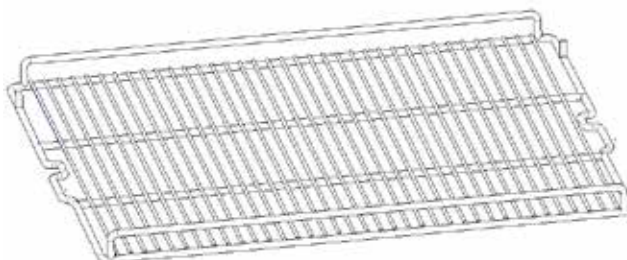
Vous pouvez déplacer les étagères vers l'extérieur et en douceur. • Pour éviter d'endommager le joint de la porte, assurez-vous d'avoir la porte tout le chemin ouvert en tirant les étagères vers l'extérieur.

• Pour faciliter l'accès au contenu de stockage, vous pouvez tirer les étagères vers l'extérieur pour accéder aux articles sur la partie arrière de la tablette, mais cet appareil a été conçu avec un poteau en plastique sur chaque côté de la piste de plateau pour empêcher les rayons de chute.

• Lors du retrait de la tablette sur le rail intérieur, assurez-vous de supprimer tous les éléments en premier. Ensuite, déplacer le plateau à la position où l'encoche du plateau est exactement sous la tige de plastique et soulever le plateau. Afin de remplacer le plateau, répétez les étapes décrites ci-dessus en sens inverse.



WCB52T3S



BVB52T4S

Inverser la porte de votre appareil

Ce appareil a la capacité de l'ouverture de porte depuis le côté gauche ou côté droit. L'appareil est livré avec l'ouverture de la porte du côté gauche. Si vous désirez inverser le sens d'ouverture, s'il vous plaît appelez le service pour obtenir des instructions d'inversion.

Nettoyage de l'appareil

Coupez le courant, débranchez l'appareil et videz le contenu incluant les tablettes. Lavez les surfaces intérieures avec de l'eau chaude et une solution au bicarbonate de soude (2 cuillères à soupe pour ¼ de litre d'eau). Lavez les tablettes avec un détergent doux. Essorez bien l'éponge ou le chiffon avant de nettoyer les parties de contrôle ou toute partie électrique. Lavez l'extérieur de l'appareil avec de l'eau chaude et du détergent liquide doux. Rincez bien et essuyez le tout à l'aide d'un chiffon doux et propre.

ATTENTION : En ne débranchant pas l'appareil, vous vous exposez à des risques d'électrocution ou de préjudice corporel.

Panne de courant

La plupart des coupures de courant se rétablissent en quelques heures et ne devraient pas affecter la température de votre l'appareil si vous ouvrez la porte le moins possible. Si le courant ne se rétablit pas avant longtemps, voyez à protéger le contenu de l'appareil.

Déplacement de l'appareil

Videz l'appareil. Fixer à l'aide de ruban adhésif toutes les pièces libres (tablettes) à l'intérieur de l'appareil. Vissez les pieds ajustables au maximum. Fermez la porte à l'aide de ruban adhésif. Assurez-vous que l'appareil soit positionné verticalement pendant le transport. Si vous devez absolument le coucher, assurez-vous de le transporter sur le dos (porte sur le dessus. Protégez-en l'extérieur à l'aide d'une couverture, d'une toile, etc.

Conseils éco énergétiques

L'appareil doit être placé dans l'endroit le plus frais de la pièce, loin des appareils qui dégagent de la chaleur et des rayons directs du soleil.

GUIDE DE DÉPANNAGE

Vous pouvez facilement résoudre plusieurs des problèmes courants de votre appareil et vous épargner ainsi des frais de service. Essayez les suggestions ci-dessous qui s'appliquent à votre situation avant de faire appel à un professionnel.

PROBLÈME	CAUSE POSSIBLE	SOLUTION
L'appareil ne fonctionne pas.	Il est débranché. Il est éteint. Le disjoncteur est éteint ou le fusible grillé.	Vérifiez s'il est bien branché. Pesez sur le bouton pour l'allumer Vérifiez le disjoncteur et/ou les fusibles.
L'appareil n'est pas assez froid.	L'environnement extérieur nécessite un réglage plus élevé. La porte est ouverte trop souvent. La porte est mal fermée. Le coupe-froid d'étanchéité de la porte n'est pas suffisamment étanche.	Vérifiez le réglage de contrôle de la température. Vérifiez si la porte est bien fermée. Vérifiez si le coupe-froid est en parfaite condition.
Le compresseur part et arrête fréquemment.	La température de la pièce est plus élevée que la normale. Un nombre élevé de produits a été ajouté. La porte est ouverte trop souvent. La porte est mal fermée. Le contrôle de la température est mal réglé. Le coupe-froid d'étanchéité de la porte n'est pas suffisamment étanche.	Vérifiez si la porte est bien fermée. Régler le contrôle de la température autrement. Vérifier l'état du coupe-froid.
Les ventilateurs partent et arrêtent fréquemment.	Afin de faire circuler l'air et de maintenir la température approprié à l'intérieur du l'appareil, les ventilateurs doivent effectuer leur cycle de mise en marche et arrêt quand le compresseur n'est pas en fonction. Les ventilateurs feront le cycle de mise en marche et arrêt pendant que le compresseur n'est pas en fonction environ à toutes les 10 secondes, c'est ce qu'on appelle l'état de semi-vitesse. Ce cycle est normal et a pour but de faire circuler l'air ainsi que d'assurer l'opération continue des ventilateurs. Si le ventilateur s'arrête complètement et ne complète pas son cycle, le ventilateur n'est pas opérationnel.	
La lumière ne fonctionne pas.	L'appareil est débranché. Le disjoncteur est éteint ou le fusible grillé. L'ampoule a grillé.	Vérifier s'il est bien branché Vérifier le disjoncteur et/ou les fusibles.
L'appareil vibre.	L'appareil n'est pas à niveau Les bouteilles vibrent entre elles. Il y a un objet sous le l'appareil.	Vérifiez que l'appareil est bien à niveau. Ajuster les bouteilles pour éviter qu'elles vibrent. Vérifier sous le l'appareil.
L'appareil semble faire trop de bruit.	L'appareil n'est pas à niveau.	Mettre l'appareil de niveau. Le son de crécelle peut provenir du fluide réfrigérant, ce qui est normal . À la fin de chaque cycle, vous pourriez entendre des gargouillis provenant du fluide qui circule dans les conduits. La contraction et la dilatation des murs intérieurs peuvent produire des craquements et des cliquetis.
La porte ne se ferme pas bien.	L'appareil n'est pas à niveau. La porte a été mal installée après avoir été inversée. Le coupe-froid est sale. Les tablettes ne sont pas bien installées.	Vérifiez que l'appareil est bien à niveau. Vérifiez l'installation de la porte. Nettoyez le coupe-froid. Vérifiez l'installation des tablettes.

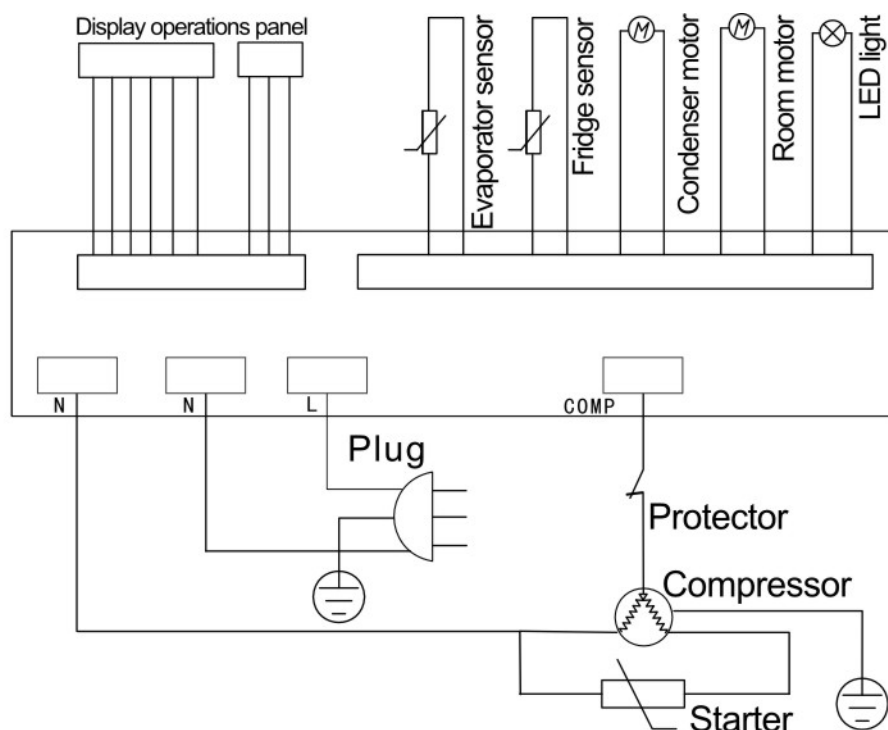
SERVICE POUR VOTRE APPAREIL

Nous sommes fiers de notre organisation de service à la clientèle et le réseau de techniciens de services professionnels qui offrent des services sur vos appareils Avanti. Avec l'achat de votre appareil Avanti, vous pouvez avoir la certitude que si vous avez besoin d'informations ou de l'aide, l'équipe du service à la clientèle Avanti Products sera là pour vous. Appelez-nous sans frais.

AVANTI PRODUITS SERVICES CLIENTS

Information sur le produit 800-323-5029	Quelles que soient vos questions sont acéra nos produits, l'aide est disponible.
Les commandes de la pièce 800-220-5570	Puissiez-vous commander des pièces et accessoires qui seront livrés à votre domicile directement par chèque personnel, mandat, Master Card ou Visa.
In-Home Repair Service 800-220-5570	Un centre de service Avanti Products agréé Fournir un service de réparation expert, prévue à un moment opportun pour vous qui est. Nos réparateurs formés connaissent votre appareil à l'intérieur et à l'extérieur.

DIAGRAMME ÉLECTRIQUE



VOS AVANTI PRODUCTS GARANTIE	Staple votre reçu de vente ici. Preuve de la date d'achat originale est nécessaire pour obtenir un service sous garantie.
CE QUI EST COUVERT - GARANTIE LIMITÉE D'UN AN	
<p>Avanti Produits qui justifie le produit est exempt de défauts de matériaux et / ou de fabrication pour une période de douze (12) mois à compter de la date d'achat par l'original du propriétaire. La durée commence à courir à la date d'achat, et ne sera pas retardée, restreinte, prolongée ou suspendu pour quelque raison que ce soit décrit en détail SAUF dans le document de garantie. Pendant un an à compter de la date d'achat par le propriétaire d'origine, les produits Avanti seront, à sa discrétion, réparer ou remplacer toute partie du produit se révèle être défectueux en matériaux ou de fabrication sous une utilisation régulière. Avanti Products vous fournira un produit raisonnablement semblable nouveau ou remis à neuf. Pendant la période de t Avanti Products fournira toutes les pièces et la main-d'œuvre nécessaires pour corriger ces défauts gratuitement, aussi longtemps que le produit a été installé et utilisé conformément aux instructions écrites dans le manuel de est. En usage locatif ou commercial, la période de garantie est de 90 jours. Tous les appareils Avanti capacité de 3,5 pieds cubes ou moins doit être brought / envoyé au centre de service pour les appareils de réparation.</p>	
DEUXIÈME LIMITÉE À LA CINQUIÈME ANNÉE GARANTIE	
<p>Pour la deuxième à la cinquième année de la date de l'achat initial, Avanti Products fournira un compresseur de remplacement gratuit en raison d'un échec. Vous êtes responsable des travaux et de fret de service. En usage locatif ou commercial, la garantie est limitée compresseur un an et neuf mois. Les coûts impliqués pour déplacer le produit au centre de service et de retour à la maison de l'utilisateur, comme peut-être nécessaire, sont la responsabilité de l'utilisateur.</p>	
EXCLUSIONS DE LA GARANTIE / NON COUVERTS:	
<p>La couverture de la garantie exclut tous décrits ici que les dommages ou les défauts ne sont pas la faute directe de produits Avanti, des friandises, y compris sans s'y limiter, un ou plusieurs des éléments suivants:</p>	
<ul style="list-style-type: none"> • Un non-respect de tout État applicable, local, ville, ou du comté électricité, plomberie et / ou des codes du bâtiment, des règlements ou des lois, des friandises, y compris le défaut d'installer le produit en stricte conformité locale avec les codes et les règlements incendie et de construction. • forces extérieures Tout, élémentaires et / ou de l'environnement et des facteurs, des friandises, y compris sans s'y limiter, la pluie, le vent, le sable, les inondations, les incendies, les diapositives de la boue, des températures de congélation, l'humidité excessive ou à une exposition prolongée à l'humidité, la foudre, les surtensions, les défaillances structurelles entourant l'appareil, et les actes de Dieu. • les pertes de contenu de la nourriture ou d'autres contenus en raison de la détérioration. • Les dommages accessoires ou consécutifs • Pièces et coûts de main-d'œuvre pour les suivantes ne seront pas considérés comme une garantie: <ul style="list-style-type: none"> • Les ampoules et / ou boîtier en plastique. • Plastic liners cabinet. • Poncture Cela annule l'évaporateur de garantie sur le système scellé complet. • Les frais d'expédition et de manutention associés au remplacement de l'unité. • Réparations Interprété par réparateurs non autorisés. 	<ul style="list-style-type: none"> • Les appels de service sont liés à des problèmes externes qui, tels que l'abus, l'alimentation électrique inadéquate, les accidents, les incendies, les inondations, ou tout autre acte de Dieu. • Une panne du produit si elle est utilisée à d'autres fins que son intention. • La garantie ne couvre pas en dehors de la Continental USA. • Y compris, mais pas les suppléments limité à toute heure après, les appels week-end, ou de services de vacances, les péages, les frais de voyage de convoyage ou les frais de kilométrage pour les appels de service dans les régions éloignées.
<p>En aucun cas doit avoir Avanti Products Responsabilité toute responsabilité pour les dommages ou à la propriété environnante, friandises y compris les armoires, les planchers, les plafonds, et d'autres structures et / ou des objets autour du produit. Sont également exclus de la garantie de est sont les rayures, les entailles, les bosses mineures, et d'autres dommages esthétiques sur les surfaces externes et les parties exposées; Produits sur les numéros de série qui ont été modifiés, effacés ou supprimés; service de l'éducation pour les visites des clients, ou des visites où il n'y a rien de mal avec le produit; correction des problèmes d'installation (vous êtes seul responsable de toute structure et la mise pour le produit, traite, y compris tous les systèmes électriques, de plomberie et / ou d'autres installations de raccordement, pour le bon plancher / fondation, et pour toutes les modifications y compris sans limitation les armoires, les murs, les planchers, les étagères etc., ainsi que la remise à zéro des disjoncteurs ou fusibles.</p>	
PRODUIT HORS DE GARANTIE	
<p>Avanti Products est soumis à aucune obligation, en droit ou Sinon, pour vous fournir toutes les concessions, des friandises, y compris les réparations, les pro-taux, ou le remplacement du produit, la garantie de onze est a expiré.</p>	
GARANTIE - REFRIGERATION - COMPRESSEUR	

Registration Information

Thank you for purchasing this fine Avanti product. Please fill out this form and return it to the following address within 100 days from the date of purchase and receive these important benefits:

Avanti Products, LLC.
P.O.Box 520604 – Miami, Florida 33152

Ø **Protect your product:**

We will keep the model number and date of purchase of your new Avanti product on file to help you refer to this information in the event of an insurance claim such as fire or theft.

Ø **Promote better products:**

We value your input. Your responses will help us develop products designed to best meet your future needs.

------(detach here)-----

Avanti Registration Card

Name			Model #		Serial #	
Address			Date Purchased		Store / Dealer Name	
City	State	Zip	E-mail Address			
Area Code		Phone Number	Occupation			
Did You Purchase An Additional Warranty			As your Primary Residence, Do You:			
<input type="checkbox"/> Extended <input type="checkbox"/> None			<input type="checkbox"/> Own <input type="checkbox"/> Rent			
Reason for Choosing This Avanti Product: Please indicate the most important factors That influenced your decision to purchase this product:			Your Age:			
<input type="checkbox"/> Price <input type="checkbox"/> Product Features <input type="checkbox"/> Avanti Reputation <input type="checkbox"/> Product Quality <input type="checkbox"/> Salesperson Recommendation <input type="checkbox"/> Friend / Relative Recommendation <input type="checkbox"/> Warranty <input type="checkbox"/> Other: _____			<input type="checkbox"/> under 18 <input type="checkbox"/> 18-25 <input type="checkbox"/> 26-30 <input type="checkbox"/> 31-35 <input type="checkbox"/> 36-50 <input type="checkbox"/> over 50			
Comments:			Marital Status:			
			<input type="checkbox"/> Married <input type="checkbox"/> Single			
			<u>Is This Product Used In The:</u>			
			<input type="checkbox"/> Home <input type="checkbox"/> Business			
			<u>How Did You Learn About This Product:</u>			
			<input type="checkbox"/> Advertising <input type="checkbox"/> In-Store Demo <input type="checkbox"/> Personal Demo			

WCB52T3S
BVB52T4S

09172020

PRINTED IN CHINA