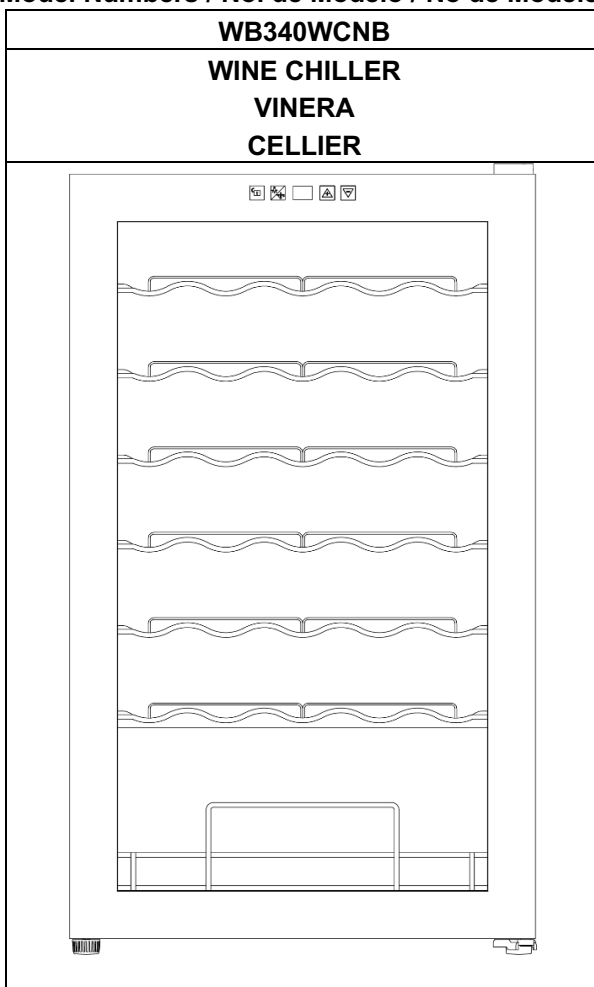




**INSTRUCTION MANUAL  
MANUAL DE INSTRUCCIONES  
MANUEL D'INSTRUCTION**

**Model Numbers / No. de Modelo / No de Modèle:**



**BEFORE USE, PLEASE READ AND FOLLOW ALL SAFETY RULES AND  
OPERATING INSTRUCTIONS.**

Westbend has a policy of continuous improvement on its products and reserves the right to change materials and specifications without notice.

---

**THE LEGACY COMPANIES  
Weston, Florida 33331**

---

## TABLE OF CONTENTS

Help Us Help You	3
Parts and Features	4
Important Safety Instructions	5 – 7
Installation Instructions	8
Before Using Your Appliance	8
Installation of Your Appliance	8
Electrical Connection	9
Extension Cord / Surge Protector	9
Operating Your Appliance	10
Control Panel	10
Setting the Temperature	10
Storage Capacity	11
Interior Light	11
Care and Maintenance	11
Cleaning Your Appliance	11
Power Failure	11
Vacation Time	11
Moving Your Appliance	11
Energy Saving Tips	12
Troubleshooting Guide	12
Service for Your Appliance	13
Wiring Diagram	13
Your Westbend Warranty	14
Instrucciones en Español	15 – 17
Instructions en Français	18 - 29

## HELP US HELP YOU...

### Read this guide carefully.

It is intended to help you operate and maintain your new Appliance properly.

Keep it handy to answer your questions. If you don't understand something or you need more assistance, please call:

**Westbend Customer Service  
954-567-4500**

Keep proof of original purchase date (such as your sales slip) with this guide to establish the warranty period.

### **CAUTION:**

**THIS APPLIANCE IS NOT  
DESIGNED FOR THE STORAGE  
OF MEDICINE OR OTHER  
MEDICAL PRODUCTS.**

### Write down the model and serial numbers.

You'll find them on a plate located on the rear outside wall of the Appliance.

Please write these numbers here:

\_\_\_\_\_  
Date of Purchase

\_\_\_\_\_  
Model Number

\_\_\_\_\_  
Serial Number

Use these numbers in any correspondence or service calls concerning your Appliance.

If you received a damaged Appliance, immediately contact the dealer (or builder) that sold you the Appliance.

Save time and money. Before you call for service, check the Troubleshooting Guide. It lists causes of minor operating problems that you can correct yourself.

---

## IF YOU NEED SERVICE

We're proud of our service and want you to be pleased. If for some reason you are not happy with the service you receive, here are some steps to follow for further assistance.

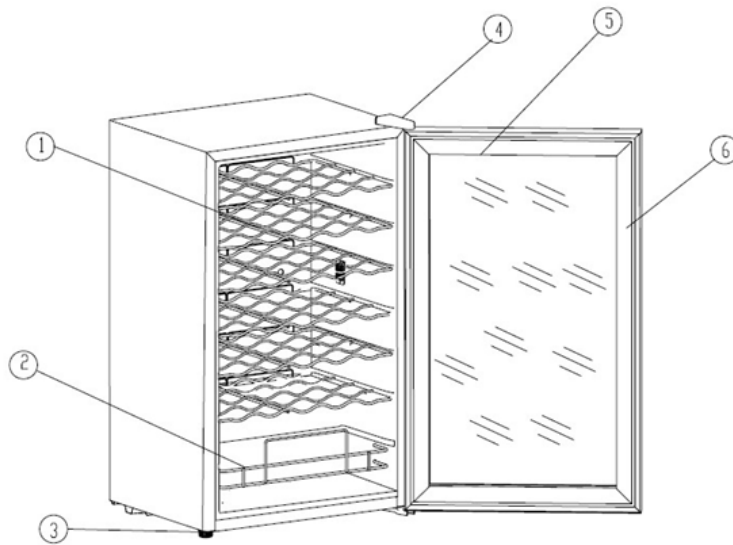
FIRST, contact the people who serviced your Appliance. Explain why you are not pleased. In most cases, this will solve the problem.

NEXT, if you are still not pleased, write all the details, including your telephone number, and send it to:

**Customer Service  
Westbend Products  
Weston, FL 33331 USA**

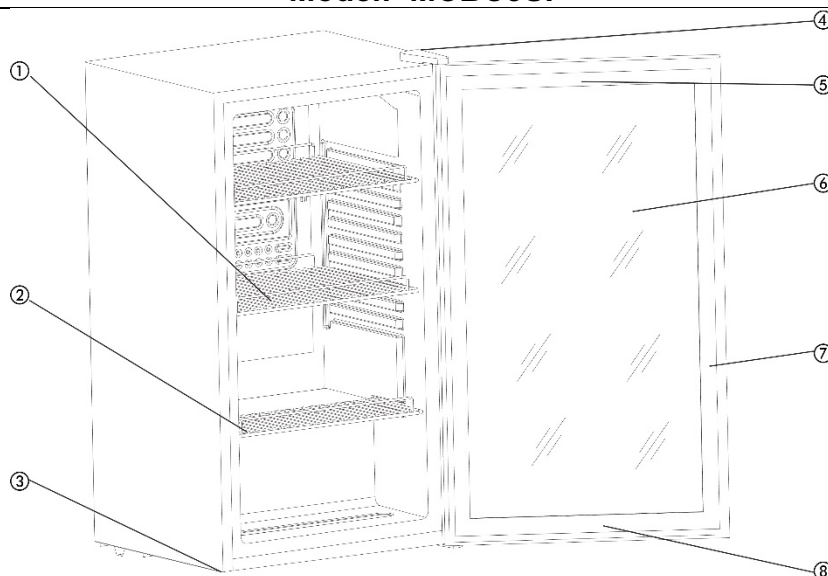
## PARTS & FEATURES

**Model: WB340WCNB**



- 1. Wine Shelves (Total 6)**
- 2. Lower Storage Bar (Total 1)**
- 3. Leveling Leg**
- 4. Top Hinge with Cover**
- 5. Control panel (Front of Door)**
- 6. Glass Door with Integrated Handle**

**Model: MCBC3SI**



<b>1</b>	<b>Large Beverage Shelf (Total 2)</b>	<b>5</b>	<b>Control Panel (Exterior Door)</b>
<b>2</b>	<b>Small Beverage Shelf (Total 1)</b>	<b>6</b>	<b>Glass Door with Stainless Steel Frame</b>
<b>3</b>	<b>Leveling Leg</b>	<b>7</b>	<b>Door Handle (Exterior Door)</b>
<b>4</b>	<b>Top Hinge with Cover</b>	<b>8</b>	<b>Security Lock (Exterior Door)</b>

## APPLIANCE SAFETY

**Your safety and the safety of others are very important.**

We have provided many important safety messages in this manual and on your appliance. Always read and obey all safety messages.



This is the Safety Alert Symbol. This symbol alerts you to potential hazards that can kill or injure you and others. All safety messages will follow the Safety Alert Symbol and either the words "DANGER", "WARNING" or "CAUTION".




Danger means that failure to heed this safety statement may result in severe personal injury or death.

Warning means that failure to heed this safety statement may result in extensive product damage, serious personal injury, or death.



Caution means that failure to heed this safety statement may result in minor or moderate personal injury, or property or equipment damage.

All safety messages will alert you to what the potential hazard is, tell you how to reduce the chance of injury, and let you know what can happen if the instructions are not followed.

	<u>PROP. 65 WARNING FOR CALIFORNIA RESIDENTS</u>
	<b>WARNING:</b>
	Cancer And Reproductive Harm
	<a href="http://www.p65warnings.ca.gov">www.p65warnings.ca.gov</a>

## **REFRIGERANT GAS WARNINGS / AVERTISSEMENTS GAZ REFRIGERANT**

**DANGER - Risk of fire or explosion. Flammable refrigerant used.**

**DO NOT use mechanical devices to defrost appliance. DO NOT puncture refrigerant tubing.**

*DANGER - Risque d'incendie ou d'explosion. Réfrigérant inflammable utilisé.*

*Ne pas utiliser de dispositifs mécaniques pour APPAREIL à dégivrage. Ne pas percer la tuyauterie du réfrigérant*

**DANGER - Risk of fire or explosion. Flammable refrigerant used.**

**To be repaired only by trained service personnel. DO NOT puncture refrigerant tubing.**

*DANGER - Risque d'incendie ou d'explosion. Réfrigérant inflammable utilisé.*

*Pour être réparé que par du personnel qualifié. Ne pas percer la tuyauterie du réfrigérant.*

**CAUTION - Risk of fire or explosion. Flammable refrigerant used.**

**Consult repair manual / owner's guide before attempting to service**

**this product. All safety precautions must be followed.**

*AVERTISSEMENT - Risque d'incendie ou d'explosion. Réfrigérant inflammable*

*utilisé. Consultez réparation manuelle / propriétaire, guide avant d'essayer*

*de réparer ce produit. Toutes les précautions doivent être suivies.*

**CAUTION - Risk of fire or explosion. Dispose of property in accordance with federal or local regulations. Flammable refrigerant used.**

*AVERTISSEMENT - Risque d'incendie ou d'explosion. Aliéner des biens*

*conformément à la réglementation fédérale ou locale. Réfrigérant inflammable utilisé.*

**CAUTION - Risk of fire or explosion due to puncture of refrigerant tubing;**

**Follow handling instructions carefully. Flammable refrigerant used.**

*AVERTISSEMENT - Risque d'incendie ou d'explosion dus à la perforation des*

*tuyaux de fluide réfrigérant, suivez attentivement les instructions remise. Réfrigérant*

*inflammable utilisé*

**CAUTION-To Prevent A Child From Being Entrapped, Keep Out Of Reach Of Children And Not In The Vicinity Of Freezer (Or Refrigerator).**



**CAUTION-Risk of Fire**



## **IMPORTANT SAFEGUARDS**



Before the appliance is used, it must be properly positioned and installed as described in this manual, so read the manual carefully. To reduce the risk of fire, electrical shock or injury when using the appliance, follow basic precautions, including the following:



- Plug into a grounded 3-prong outlet, do not remove grounding prong, do not use an adapter, and do not use an extension cord
- Replace all panels before operating
- It is recommended that a separate circuit, serving only your appliance, be provided. Use receptacles that cannot be turned off by a switch or pull chain
- Never clean appliance parts with flammable fluids. These fumes can create a fire hazard or explosion. And do not store or use gasoline or other flammable vapors and liquids in the vicinity of this or any other appliance. The fumes can create a fire hazard or explosion.
- Before proceeding with cleaning and maintenance operations, make sure the power line of the unit is disconnected.
- Do not connect or disconnect the electric plug when your hands are wet
- Unplug the appliance or disconnect the power before cleaning or servicing. Failure to do so can result in electrical shock or death.
- Do not attempt to repair or replace any part of your appliance unless it is specifically recommended in this material. All other servicing should be referred to a qualified technician.



- Use two or more people to move and install the appliance. Failure to do so can result in back or other injury.
- To ensure proper ventilation for your appliance, the unit must be completely unobstructed. Choose a well-ventilated area with temperatures above 55°F (13°C) and below 90°F (32 °C). This unit must be installed in an area protected from the elements, such as wind, rain, water spray or sunlight.
- The appliance should not be located next to ovens, grills or other sources of high heat.
- The appliance must be installed with all electrical, water and drain connections in accordance with state and local codes. A standard electrical supply (115 V AC only, 60 Hz), properly grounded in accordance with the National Electrical Code and local codes and ordinances is required.
- Do not kink or pinch the power supply cord of the appliance.
- The fuse (or circuit breaker) size should be 15 amperes.
- It is important for the appliance to be leveled in order to work properly. You may need to make several adjustments to level it.
- All installation must be in accordance with local plumbing code requirements.
- Make certain that the pipes are not pinched or kinked or damaged during installation.
- Check for leaks after connection.
- Never allow children to operate, play with or crawl inside the appliance
- Do not use solvent-based cleaning agents or abrasives on the interior. These cleaners may damage or discolor the interior.
- Do not use this apparatus for other than its intended purpose.

## IMPORTANT SAFETY INSTRUCTIONS

<b>⚡ WARNING ⚡</b>	To reduce the risk of fire, electrical shock, or injury when using your appliance, follow these basic precautions:
<ul style="list-style-type: none"><li>• Read all instructions before using the Appliance.</li><li>• <b>DANGER or WARNING:</b> Risk of child entrapment. Child entrapment and suffocation are not problems of the past. Junked or abandoned appliances are still dangerous . . . even if they will “just sit in the garage a few days”.</li><li>• <b>Before you throw away your old Appliance:</b> Take off the door. Leave the shelves in place so that children may not easily climb inside.</li><li>• Never allow children to operate, play with, or crawl inside the appliance.</li><li>• Never clean appliance parts with flammable fluids. The fumes can create a fire hazard or explosion.</li><li>• Do not store or use gasoline or any other flammable vapors and liquids in the vicinity of this or any other appliance. The fumes can create a fire hazard or explosion.</li><li>• Do not repair or replace any part of the refrigerator or attempt any servicing unless specifically recommended in the user-maintenance instructions or in published user-repair instructions. Replace the fuse with the same type.</li></ul> <p style="text-align: center;">-Save these instructions-</p>	

## INSTALLATION INSTRUCTIONS

### ➤ **Before Using Your Appliance**

- Remove the exterior and interior packing.
- Check to be sure you have all of the following parts:

Model #: WB340WCNB
--------------------

- 6 Shelves
- 1 Instruction Manual

- Clean the interior surface with lukewarm water using a soft cloth.

### ➤ **Installation of Your Appliance**

- This Appliance is designed for free standing installation only and should not be recessed nor built-in (fully recessed).
- **Allow 5 inches of space between the top and sides of the unit which allows the proper air circulation to cool the compressor.**
- Locate the Appliance away from direct sunlight and sources of heat (stove, heater, radiator, etc.). Direct sunlight may affect the acrylic coating and heat sources may increase electrical consumption. Extreme cold ambient temperatures may also cause the unit not to perform properly.
- Avoid locating the unit in moist areas.
- Plug the Appliance into an exclusive, properly installed-grounded wall outlet. Do not under any circumstances cut or remove the third (ground) prong from the power cord. Any questions concerning power and/or grounding should be directed toward a certified electrician or an authorized Westbend service center.
- After plugging the Appliance into a wall outlet, allow the unit to cool down for 2-3 hours before placing any items in the compartment.



➤ **ELECTRICAL CONNECTION**

**⚡ Warning ⚡**

Improper use of the grounded plug can result in the risk of electrical shock. If the power cord is damaged, have it replaced by an authorized Westbend service center.

This appliance should be properly grounded for your safety. The power cord of this appliance is equipped with a three-prong plug which mates with standard three prong wall outlets to minimize the possibility of electrical shock.

Do not under any circumstances cut or remove the third ground prong from the power cord supplied. For personal safety, this appliance must be properly grounded.

This appliance requires a standard 115/120 Volt AC ~/60Hz electrical ground outlet with three-prong. Have the wall outlet and circuit checked by a qualified electrician to make sure the outlet is properly grounded. When a standard 2-prong wall outlet is encountered, it is your responsibility and obligation to have it replaced with a properly grounded 3-prong wall outlet.

The cord should be secured behind the appliance and not left exposed or dangling to prevent accidental injury.

The appliance should always be plugged into its own individual electrical outlet which has a voltage rating that matches the rating label on the appliance. This provides the best performance and also prevent overloading house wiring circuits that could cause a fire hazard from overheated. Never unplug the appliance by pulling the power cord. Always grip the plug firmly and pull straight out from the receptacle. Repair or replace immediately all power cords that have become frayed or otherwise damaged. Do not use a cord that shows cracks or abrasion damage along its length or at either end. When moving the appliance, be careful not to damage the power cord.

➤ **EXTENSION CORD**

Because of potential safety hazards under certain conditions, it is strongly recommended that you do not use an extension cord with this appliance. However, if you must use an extension cord it is absolutely necessary that it be a UL/CUL-Listed, 3-wire grounding type appliance extension cord having a grounding type plug and outlet and that the electrical rating of the cord be 115 volts and at least 10 amperes.

➤ **SURGE PROTECTOR**

Most electrical appliances use a series of electric control boards to operate. These boards are very susceptible to power surges and could be damaged or destroyed.

If the appliance is going to be used in an area or if your city / country is prone to power surges / outages; it is suggested that you use a power surge protector for all electrical devices / appliances you use. The surge protector that you select must have a surge block high enough to protect the appliance it is connected to. If you have any questions regarding the type and size of surge protector needed contact a licensed electrician in your area.

Damages due to power surges are not considered a manufacturer covered defect and will void your product warranty.

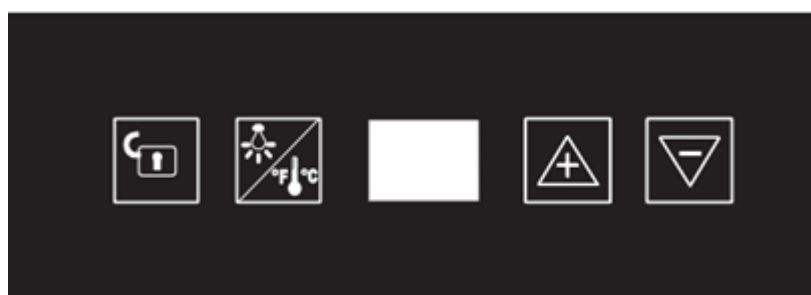
## OPERATING YOUR APPLIANCE

It is recommended you install the Appliance in a place where the ambient temperature is between 23°-26°C/ 72°-78°F. If the ambient temperature is above or below recommended temperatures, the performance of the unit may be affected. For example, placing your unit in extreme cold or hot conditions may cause interior temperatures to fluctuate. The range of WB340WCNB 5° à 18°C (40°F - 65°F) / MCBC3SI 3° à 18°C (37° - 65°F) may not be reached.

### Recommended Temperatures for Chilling Wine.

Red Wines	15° - 18° C	58 – 65° F
Dry/White Wines	9° - 14° C	48 – 57° F
Rose Wines	10° - 11° C	49 – 51° F
Sparkling Wines	5° - 9° C	40 – 47° F


## CONTROL PANEL





You can select temperature display setting from Fahrenheit to Celsius degree by pushing and holding the button until the display changes

### ➤ **CONTROL PANEL LOCK**

Your cooler is equipped with a control panel lock feature which will lock itself automatically 20 seconds after the last time a button is pressed.

Press the  button to unlock the control panel. You will hear a “BEEP” sound to alert you that the control is now active.

### **SETTING THE TEMPERATURE CONTROL**

- You can manually adjust the temperature inside Cooler by pressing the buttons on the display panel. The two buttons on the panel  and  adjust the temperature in increments of 1°C or 1°F .
- When you store mostly red wines, the temperature which you control by pushing the above two buttons need to be set at between 15° - 18°C (58° - 64°F).
- When you store mostly white wines, the temperature needs to be set at between 8° - 14°C (46° - 57°F).
- When you store mostly sparkling wines, the temperature needs to be set at between 8° - 9°C (46° - 47°F).

**NOTE:**


- When you use the appliance for the first time or restart the appliance after having been shut off for a long time, there could be a few degrees variance between the temperature you select and the one indicated on the LED readout. This is normal and it is due to the length of the activation time. Once the appliance is running for a few hours everything will be back to normal.

➤ **Storage Capacity**

**NOTE:** You can place 34 standard bottles in this appliance.

Many bottles may differ in size and dimensions. As such the actual number of bottles you may be able to store may vary. Bottle capacities are approximate maximums when storing traditional Bordeaux 750ml bottles and include bulk storage.

➤ **Interior Light**

You can turn the interior light ON or OFF by pushing the button  marked with the “Light” symbol.

The light will be turned off automatically if it remains ON for 10 minutes. You have to push the “Light” button again to turn it back on.

## CARE AND MAINTENANCE

➤ **Cleaning Your Appliance**

- UNPLUG the Appliance, and remove all items including shelves.
- Wash the inside surfaces with a warm water and baking soda solution. The solution should be about 2 tablespoons of baking soda to a quart of water.
- Wash the shelves with a mild detergent solution.
- Wring excess water out of the sponge or cloth when cleaning area of the controls, or any electrical parts.
- Wash the outside cabinet with warm water and mild liquid detergent. Rinse well and wipe dry with a clean soft cloth.

**CAUTION**

**Failure to unplug the Appliance could result in electrical shock or personal injury.**

➤ **Power Failure**

- Most power failures are corrected within a few hours and should not affect the temperature of your appliance if you minimize the number of times the door is opened. If the power is going to be off for a longer period of time, you need to take the proper steps to protect your contents.

➤ **Vacation Time**

- **Short vacations:** Leave the Appliance operating during vacations of less than three weeks.
- **Long vacations:** If the appliance will not be used for several months, remove all items and unplug the power cord. Clean and dry the interior thoroughly. To prevent odor and mold growth, leave the door open slightly: blocking it open if necessary.

➤ **Moving Your Appliance**

- Remove all bottles.
- Securely tape down all loose items (shelves) inside your appliance.
- Tape the door shut.
- Protect outside of appliance with a blanket, or similar item.

➤ **Energy Saving Tips**

- The Appliance should be located in the coolest area of the room, away from heat producing appliances, and out of the direct sunlight.

**PROBLEMS WITH YOUR APPLIANCE?**

You can solve many common Appliance problems easily, saving you the cost of a possible service call. Try the suggestions below to see if you can solve the problem before calling the servicer.

**TROUBLESHOOTING GUIDE**

<b>PROBLEM</b>	<b>POSSIBLE CAUSE</b>
Appliance does not operate.	Not plugged in. The circuit breaker tripped or a blown fuse.
Appliance is not cold enough.	Check the temperature control setting. External environment may require a higher setting. The door is opened too often. The door is not closed completely. The door gasket does not seal properly. The Appliance does not have the correct clearances. Abnormal voltage.
The light does not work.	Not plugged in. The circuit breaker tripped or a blown fuse. The light button is "OFF".
Vibrations.	Check to assure that the Appliance is level.
The door will not close properly.	The Appliance is not level. The door was reversed and not properly installed. The gasket is dirty. The shelves are out of position.

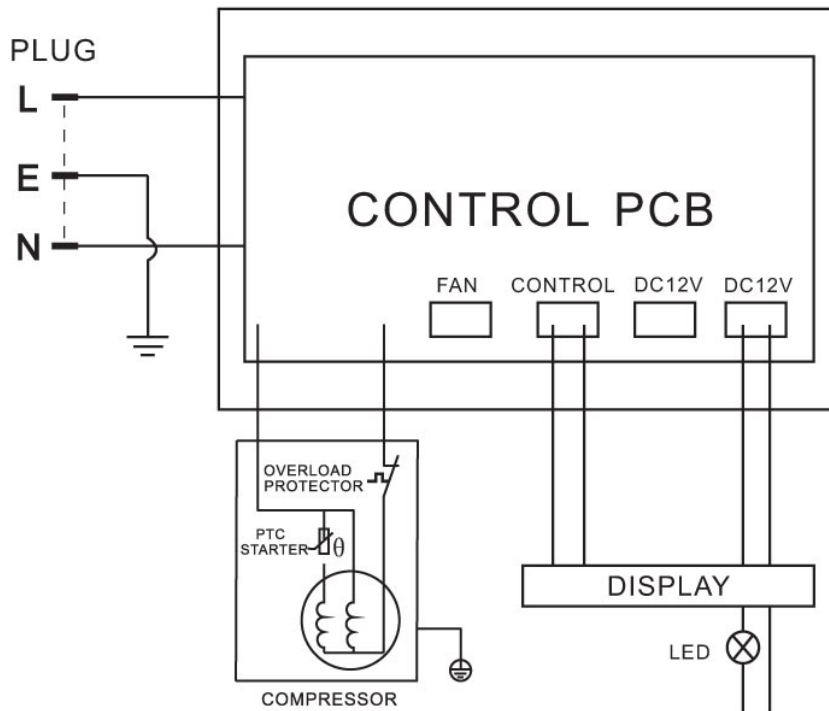
## SERVICE FOR YOUR APPLIANCE

We are proud of our customer service organization and the network of professional service technicians that provide service on your Westbend appliances. With the purchase of your Westbend appliance, you can have the confidence that if you ever need additional information or assistance, the Westbend Customer Service team will be here for you. Just call us toll-free.

### WESTBEND CUSTOMER SERVICES

Product Information 800-323-5029	Whatever your questions are about our products, help is available.
Part Orders 800-220-5570	You may order parts and accessories that will be delivered directly to your home by personal check, money order, Master Card, or Visa.
In-Home Repair Service 800-220-5570	An Westbend authorized service center will provide expert repair service, scheduled at a time that is convenient for you. Our trained servicers know your appliance inside and out.

### WIRING DIAGRAM



<b>YOUR WESTBEND WARRANTY</b>	Staple your sales receipt here. Proof of original purchase date is needed to obtain service under warranty.
<b><u>WHAT IS COVERED – LIMITED ONE-YEAR WARRANTY</u></b>	
<p>Westbend warrants that the product is free from defects in materials and/or workmanship for a period of twelve (12) months from the date of purchase by the original owner. The foregoing timeline begins to run upon the date of purchase, and shall not be stalled, tolled, extended, or suspended for any reason whatsoever unless described in detail in the warranty document. For one year from the date of purchase by the original owner, Westbend will, at its option, repair or replace any part of the product which proves to be defective in material or workmanship under normal use. Westbend will provide you with a reasonably similar product that is either new or factory refurbished. During this period Westbend will provide all parts and labor necessary to correct such defects free of charge, so long as the product has been installed and operated in accordance with the written instructions in this manual. In rental or commercial use, the warranty period is 90 days. All Westbend appliances of 3.5 cubic feet capacity or less must be brought/sent to the appliance service center for repair.</p>	
<b><u>LIMITED SECOND THROUGH FIFTH YEAR WARRANTY</u></b>	
<p>For the second through the fifth year from the date of original purchase, Westbend will provide a replacement compressor free of charge due to a failure. You are responsible for the service labor and freight charges. In rental or commercial use, the limited compressor warranty is one year and nine months. Costs involved to move the product to the service center and back to the user's home, as maybe required, are the user's responsibility.</p>	
<b><u>WARRANTY EXCLUSIONS / WHAT IS NOT COVERED:</u></b>	
<p>The warranty coverage described herein excludes all defects or damage that are not the direct fault of Westbend, including without limitation, one or more of the following:</p>	
<ul style="list-style-type: none"> <li>• A failure to comply with any applicable state, local, city, or county electrical, plumbing and/or building codes, regulations, or laws, including failure to install the product in strict conformity with local fire and building codes and regulations.</li> <li>• Any external, elemental and/or environmental forces and factors, including without limitation, rain, wind, sand, floods, fires, mud slides, freezing temperatures, excessive moisture or extended exposure to humidity, lightning, power surges, structural failures surrounding the appliance, and acts of God.</li> </ul>	
<ul style="list-style-type: none"> <li>• Content losses of food or other content due to spoilage.</li> <li>• Incidental or consequential damages</li> <li>• Parts and labor costs for the following will not be considered as warranty: <ul style="list-style-type: none"> <li>• Evaporator doors, door springs, and/or frames.</li> <li>• Inner door panels, door shelves, door rails, and/or door supports.</li> <li>• Light bulbs and/or plastic housing.</li> <li>• Plastic cabinet liners.</li> <li>• Punctured evaporator that voids the warranty on the complete sealed system.</li> </ul> </li> </ul>	<ul style="list-style-type: none"> <li>• Shipping and handling costs associated with the replacement of the unit.</li> <li>• Repairs performed by unauthorized servicers.</li> <li>• Service calls that are related to external problems, such as abuse, misuse, inadequate electrical power, accidents, fire, floods, or any other acts of God.</li> <li>• Failure of the product if it is used for other than it intended purpose.</li> <li>• The warranty does not apply outside the Continental USA.</li> <li>• Surcharges including but not limited to, any after hour, weekend, or holiday service calls, tolls, ferry trip charges, or mileage expense for service calls to remote areas.</li> </ul>
<p>In no event shall Westbend have any liability or responsibility whatsoever for damage to surrounding property, including cabinetry, floors, ceilings, and other structures and/or objects around the product. Also excluded from this warranty are scratches, nicks, minor dents, and other cosmetic damages on external surfaces and exposed parts; Products on which the serial numbers have been altered, defaced or removed; service visits for customer education, or visits where there is nothing wrong with the product; correction of installation problems (you are solely responsible for any structure and setting for the product, including all electrical, plumbing and/or other connecting facilities, for proper foundation/flooring, and for any alterations including without limitation cabinetry, walls, floors, shelving etc., as well as the resetting of breakers or fuses.</p>	
<b><u>OUT OF WARRANTY PRODUCT</u></b>	
<p>Westbend is under no obligation, at law or otherwise, to provide you with any concessions, including repairs, pro-rates, or product replacement, once this warranty has expired.</p>	
<small>WARRANTY – REFRIGERATION - COMPRESSOR</small>	

## **INSTRUCCIONES DE SEGURIDAD**

### **ATENCION**

#### **INSTRUCCIONES PARA LA CONEXION A TIERRA**

Este aparato electrodoméstico debe estar conectado a tierra. En caso de un cortocircuito eléctrico, la conexión a tierra reduce el riesgo de choque eléctrico proporcionando un cable a tierra con una enchufe de conexión a tierra. Este enchufe debe estar conectado en un tomacorriente instalado correctamente y conectado a tierra.

**ADVERTENCIA** – El uso inadecuado del enchufe de conexión a tierra puede resultar en un riesgo de choque eléctrico. Consulte con un electricista o persona de reparaciones competente si no comprenden bien las instrucciones de conexión a tierra o si existe alguna duda sobre si el aparato esta conectado a tierra correctamente.

#### **NO USE UN CORDON DE PROLONGACION ELECTRICA**

Use un tomacorriente de pared exclusivo. No conecte su APARATO a cordones de prolongación eléctrica o junto a cualquier otro electrodoméstico en el mismo tomacorriente de pared.

#### **ADVERTENCIA IMPORTANTE:**

Una APARATO vacía es una atracción muy peligrosa para los niños. Saque todas las juntas, pestillos, tapas o puerta de todo electrodoméstico que no esté en uso, o tome alguna medida para asegurar que no presente peligro.

### **INSTRUCCIONES DE INSTALACION**

Saque los embalajes exteriores, limpie bien el exterior con un paño suave seco, y el interior con un paño húmedo y tibio. Evite colocar la APARATO cerca de una fuente de calor, luz de sol directa, o lugar húmedo.

#### **Ubicación**

1. Seleccione un lugar con su piso fuerte y nivelado.
2. Deje cinco pulgadas de espacio entre la parte posterior de la APARATO y toda pared contigua.
3. Evite la luz directa del sol o calor. La luz directa del sol puede afectar la capa de acrílico. Las fuentes de calor en su proximidad provocarán un consumo mayor de electricidad.

### **OPERACION**

Para evitar vibraciones, el compartimiento interior debe estar bien nivelado. La temperatura variará dependiendo de la cantidad de botellas almacenadas y la frecuencia con que se abre la puerta.

Cuando la APARATO no se use por un período largo, desconecte el enchufe y deje la puerta entreabierta.

### **CONTROL DE TEMPERATURA:**

Se recomienda que Ud coloque su APARATO en un lugar donde la temperatura ambiental se mantenga entre 23°-26°C / 72°-78°F.

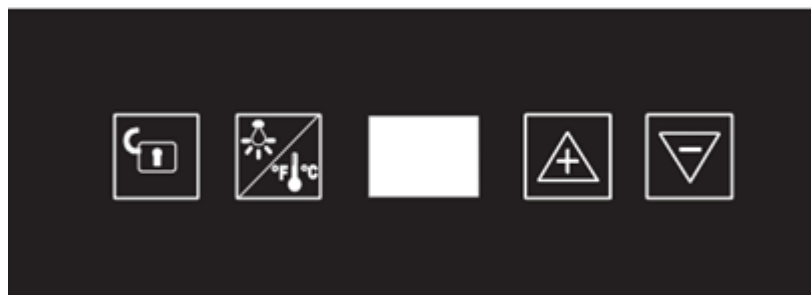
Si la temperatura ambiental oscila afuera de esos límites, pueda afectar la temperatura de la unidad.

Por ejemplo, si su unidad está situada en lugares donde hay temperaturas muy frías o calientes también puede afectar la temperatura de la unidad y no alcanzará los límites(5°-18°C/40°-65°F).

Temperaturas recomendadas para enfriar vinos:

Vinos rojos	15° - 18° C	58 – 65° F
Vinos blancos	9° - 14° C	48 – 57° F
Vinos tintos	10° - 11° C	49 – 51° F
Vinos espumantes	5° - 9° C	40 – 47° F

### **PANEL DE CONTROLES:**



#### **Cambiar entre grados Centígrados y Fahrenheit**



Ud. puede seleccionar los grados centígrados ó Fahrenheit oprimiendo el botón marcado por aproximadamente 5 segundos o hasta se escuche un sonido “BEEP”.

#### **PANEL DE CONTROL DE SEGURIDAD**

Su refrigerador está equipado con una función de bloqueo del panel de control que se bloqueará automáticamente 20 segundos después de la última vez que se presiona un botón.



Presione el botón para desbloquear el panel de control. Escuchará un sonido "BEEP" para avisarle que el control está ahora activo.

#### **Control de temperatura**

Su unidad viene equipada con un control de temperatura electrónico con una pantalla digital.

Ud. se puede seleccionar la temperatura preferida a su gusto presionando los botones marcados .



La temperatura que Ud. selecciona subará 1°C/F cada vez que presione el

botón marcado al contrario la temperatura bajará 1°C/F cada vez que presione el botón

marcado .

#### **AVISO:**

Cuando Ud. encienda su APARATO por primera vez o después de un largo tiempo de estar apagado, habrá una diferencia entre la temperatura que Ud. selecciona y la temperatura indicada en la pantalla digital. Este situación es normal debido al tiempo de que estuvo apagado. En cuanto la unidad esté encendida por un par de horas la temperatura estará normal.



### **Luz interior**

Puede encender o apagar la luz interior presionando el botón marcado con el símbolo "Luz".

La luz se apagará automáticamente si permanece encendida durante 10 minutos. Tienes que presionar el botón "Luz" nuevamente para volver a encenderlo.

## **CUIDADO Y MANTENIMIENTO**

### **Limpieza**

Para limpiar el interior, use un paño suave con una solución de una cucharada de bicarbonato de sodio por cada cuarto de agua, o una solución de espuma de jabón suave, o un detergente suave. Para lavar las rejillas, sáquelas deslizándolas con cuidado, y use una solución de detergente suave; luego séquelas con un paño suave. Limpie el exterior con un paño húmedo suave y un poco de detergente suave o productos de limpieza para electrodomésticos.

### **Período de vacaciones**

Para períodos cortos de vacaciones, deja los controles en su programación corriente. Durante ausencias más largas;

- (a) saque todas las botellas,
- (b) desconecte la APARATO del tomacorriente,
- (c) limpie bien la APARATO,
- (d) deje la puerta abierta para evitar la formación de condensación, moho u olores.

### **Corte de corriente**

La mayoría de los cortes de corriente se corrigen en una o dos horas y no afectarán las temperaturas de su APARATO. Sin embargo, Ud. deberá reducir la cantidad de veces que abra la puerta cuando la corriente esté apagada. Durante los cortes de corriente de larga duración, tome medidas para proteger sus botellas de vino.

### **Si Ud. se muda**

Saque o asegure todos los artículos dentro de su APARATO. Para evitar que los tornillos nivelantes se averíen, gírelos completamente hacia la base.

### **Algunas reglas importantes para el uso correcto de la APARATO.**

- Las bebidas deben guardarse en botellas cerradas.
- No sobrecargue el compartimiento interior.
- No abra la puerta a menos que sea necesario.
- Si la APARATO se guardara sin uso por períodos largos, se sugiere que, luego de una limpieza cuidadosa, se deje la puerta entreabierta para permitir que el aire circule dentro de la caja y evitar una posible formación de condensación, moho u olores.
- Nunca cubra los estantes del compartimiento para vinos con papel de aluminio o cualquier otro material para cubrir estantes que puedan obstruir la circulación del aire.

## **TABLE DES MATIÈRES**

SÉCURITÉ RELATIVE À L'APPAREIL	19
CONSEILS DE SÉCURITÉ IMPORTANTS	20
AIDEZ-NOUS À VOUS AIDER	21
PIÈCES ET CARACTÉRISTIQUES	22
CONSIGNES DE SÉCURITÉ IMPORTANTES	23
PRÉPARATION ET INSTALLATION DE L'APPAREIL	
Préparation du refroidisseur à vin	23
Installation du refroidisseur à vin	23
Branchement au réseau électrique	24
Rallonge	24
Parasurtenseur (Powerbar)	24
FONCTIONNEMENT DE L'APPAREIL	
Recommandations relatives à la température	25
Réglage de la température	25
Éclairage intérieur	26
Capacité d'entreposage	26
ENTRETIEN DE L'APPAREIL	
Nettoyage de l'appareil	26
Panne de courant	26
Déplacement de l'appareil	26
Conseils éconergétiques	26
GUIDE DE DÉPANNAGE	27
SERVICE DE RÉPARATION	28
SCHÉMA DE CÂBLAGE	28
VOTRE GARANTIE WESTBEND	29

## SÉCURITÉ RELATIVE À L'APPAREIL

Votre sécurité et celle des autres nous importent au plus haut point.

Ce manuel ainsi que votre appareil contiennent des symboles de sécurité dont vous devez tenir compte et que vous devez respecter en tout temps.



Voici le symbole de sécurité. Ce symbole vous prévient des dangers potentiels susceptibles de vous tuer ou de vous blesser ainsi que votre entourage. Tous les signaux de sécurité seront précédés de ce symbole ainsi que des termes « DANGER », « AVERTISSEMENT » et « ATTENTION ».

	« Danger » signifie que le fait de ne pas tenir compte de ce signal de sécurité pourrait entraîner des blessures corporelles ou la mort.
	« Avertissement » signifie que le fait de ne pas tenir compte de ce signal peut causer des dommages matériels importants au produit, des blessures corporelles graves et même la mort.
	« Attention » signifie que le fait de ne pas tenir compte de ce signal peut causer des blessures corporelles mineures et des dommages à la propriété ou à l'équipement.

Les signaux de sécurité vous serviront à repérer les dangers potentiels, à réduire les risques de blessure et à comprendre ce qui pourrait se produire si les instructions n'étaient pas suivies.

### **GAZ RÉFRIGÉRANT INFLAMMABLE**

**DANGER** - Risque d'incendie ou d'explosion. Réfrigérant inflammable utilisé. Ne pas utiliser de dispositifs mécaniques pour dégivrer l'appareil. Ne pas percer la tuyauterie contenant le réfrigérant

**DANGER** - Risque d'incendie ou d'explosion. Réfrigérant inflammable utilisé. Doit être réparé que par du personnel qualifié. Ne pas percer la tuyauterie contenant le réfrigérant.

**AVERTISSEMENT** - Risque d'incendie ou d'explosion. Réfrigérant inflammable utilisé. Consultez le manuel d'instruction avant d'essayer de réparer ce produit. Toutes les précautions doivent être suivies.

**AVERTISSEMENT** - Risque d'incendie ou d'explosion. Réfrigérant inflammable utilisé. Défaites-vous du produit conformément à la réglementation fédérale ou locale.

**AVERTISSEMENT** - Risque d'incendie ou d'explosion dus à la perforation des tuyaux de fluide réfrigérant, suivez attentivement les instructions remises. Réfrigérant inflammable utilisé.

## **CONSEILS DE SÉCURITÉ IMPORTANTS**



Avant toute utilisation, le refroidisseur à vin à vin doit être convenablement positionné et installé comme il est décrit dans ce manuel, il est donc nécessaire de le lire attentivement. Pour réduire les risques d'incendie, d'électrocution ou de blessure lors de l'utilisation de l'appareil, nous vous recommandons de suivre les mesures de sécurité suivantes :

### **⚠ DANGER ⚠**

- Branchez l'appareil à une prise triphasée mise à la terre, ne retirez pas la broche de masse, ne pas utiliser d'adaptateur ni de rallonge.
- Remplacez tous les panneaux avant de mettre en marche l'appareil.
- Il est recommandé de ne pas brancher cet appareil dans la prise d'un autre appareil ni dans une prise qui peut être éteinte par un interrupteur ou par une chaîne de traction.
- Ne nettoyez jamais les pièces de l'appareil avec des liquides inflammables. Les vapeurs provoquées par ces liquides risquent de déclencher un incendie ou une explosion dangereuse.
- Ne placez pas l'appareil près d'essence ou de tout autre produit liquide ou gazeux inflammable. La fumée que ces produits dégagent pourrait déclencher un incendie ou une explosion dangereuse.
- Évitez les risques d'électrocution en débranchant l'appareil avant de procéder à son nettoyage ou à sa réparation.
- Lorsque vous branchez ou débranchez l'appareil, assurez-vous que vos mains sont bien sèches.
- Ne tentez pas de réparer l'appareil ni d'en remplacer une pièce à moins que ce ne soit spécifiquement recommandé dans ce manuel. Laissez à un technicien qualifié le soin de procéder à toute réparation non recommandée.

### **⚠ WARNING ⚠**

- Déplacez l'appareil à deux ou à plusieurs personnes afin d'éviter les blessures.
- Pour assurer la ventilation convenable de l'appareil, laissez-en le devant complètement dégagé. Choisissez une pièce bien aérée d'une température entre 16 à 32 °C, à l'abri des éléments tels que le vent et la pluie ainsi que l'eau pulvérisée et en gouttes.
- Ne placez pas l'appareil à proximité d'un four, d'une cuisinière ou de toute autre source de chaleur.
- Installez l'appareil avec tous les branchements électriques requis par les codes provinciaux. Une alimentation électrique standard (115 Volts CA uniquement et 60Hz) convenablement reliée à la terre et conforme au Code canadien de l'électricité et aux codes et aux ordonnances locaux est requise.
- Faites attention de ne pas plier ni coincer le cordon d'alimentation de l'appareil.
- L'intensité du fusible (ou du disjoncteur) doit être de 15 ampères.
- Il est important que l'appareil soit à niveau afin qu'il fonctionne correctement. Il se peut que vous deviez faire plusieurs ajustements pour y arriver.
- Ne laissez pas d'enfants jouer avec l'appareil.
- Pour nettoyer l'appareil, n'utilisez pas d'agents abrasifs à base de solvant qui pourraient endommager ou décolorer les surfaces.
- N'utilisez l'appareil qu'aux fins auxquelles il a été conçu.

## **AIDEZ-NOUS À VOUS AIDER...**

### **Lisez attentivement le présent guide d'utilisation.**

Il a été conçu pour vous aider à utiliser et à entretenir votre nouvel appareil.

Conservez-le à portée de la main pour vous y référer au besoin. Si quelque chose vous échappe ou que vous avez besoin de renseignements supplémentaires :

**Westbend Customer Service  
954-567-4500**

Conservez une preuve originale de la date d'achat (tel que le reçu de caisse) avec le présent guide afin de pouvoir établir la période de garantie.

### **ATTENTION!**

CE REFROIDISSEUR À VIN N'EST PAS CONÇU  
POUR L'ENTREPOSAGE DE MÉDICAMENTS  
OU DE TOUT AUTRE PRODUIT  
PHARMACEUTIQUE.

### **Inscrivez les numéros de modèle et de série**

Vous les trouverez sur un autocollant situé à l'arrière de l'appareil.

Veillez inscrire ces numéros ci-dessous :

\_\_\_\_\_

Date d'achat

\_\_\_\_\_

Numéro de modèle

\_\_\_\_\_

Numéro de série

Indiquez ces numéros dans toute correspondance ou lors de tout appel de service concernant votre appareil.

Si vous avez reçu un appareil endommagé, avisez-en immédiatement le détaillant qui vous a vendu le refroidisseur à vin à vin.

Économisez temps et argent. Avant de faire appel à nos services, vérifiez la liste des problèmes de fonctionnement mineurs faciles à résoudre dressée dans le présent guide.

## **POUR TOUTE ASSISTANCE**

Nous sommes fiers de notre service et désirons votre entière satisfaction. Si, pour une quelconque raison, vous n'êtes pas satisfaits du service, voici quelques étapes à suivre pour obtenir une aide supplémentaire.

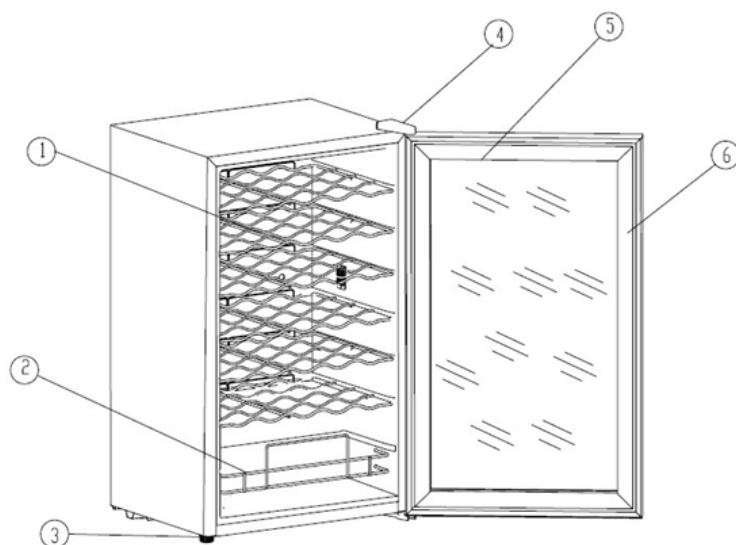
Tout d'abord, communiquez avec le service de réparation avec lequel vous avez fait affaire. Expliquez les raisons de votre insatisfaction. Dans la plupart des cas, cela résoudra le problème.

Ensuite, si vous n'êtes toujours pas satisfait, consignez tous les détails par écrit, accompagnés de votre numéro de téléphone, et envoyez-les à :

**Customer Service  
The Legacy Companies  
Weston, FL 33331 USA**

## **PIÈCES ET CARACTÉRISTIQUES**

**Model: WB340WCNB**



1. Tablettes (6)
2. Panier
3. Pied réglable
4. Charnière
5. Tableau de commande
6. Porte en verre à poignée intégrée

## **CONSIGNES DE SÉCURITÉ IMPORTANTES**

### **⚡AVERTISSEMENT⚡**

Pour diminuer les risques d'incendie, d'électrocution ou d'accident pendant l'utilisation de votre appareil, veuillez suivre les mesures de sécurité suivantes :

- Veuillez lire toutes les instructions avant d'utiliser l'appareil.
- **DANGER** ou **AVERTISSEMENT** : Les risques d'enfermement ou de suffocation pour les enfants demeurent une réalité. Les appareils abandonnés ou jetés demeurent un danger, même s'ils ne sont placés dans le garage que pour quelques jours.
- Avant de jeter votre ancien appareil, enlevez les portes et laissez les tablettes à leur place afin que les enfants ne puissent pas se glisser facilement à l'intérieur.
- Ne laissez pas d'enfants jouer avec l'appareil.
- Ne nettoyez jamais les pièces de l'appareil avec des liquides inflammables. Les vapeurs provoquées par ces liquides risquent de déclencher un incendie ou une explosion dangereuse.
- Ne placez pas l'appareil près d'essence ou de tout autre produit liquide ou gazeux inflammable. La fumée que ces produits dégagent pourrait déclencher un incendie ou une explosion dangereuse.

- Conservez ces instructions -

## **PRÉPARATION ET INSTALLATION DU REFROIDISSEUR À VIN**

### **Préparation du refroidisseur à vin**

- Retirez l'emballage extérieur et intérieur. Lisez le mode d'emploi.
- Assurez vous d'avoir toutes les pièces suivantes :

Model #: WB340WCNB
--------------------

- |                                                                                              |
|----------------------------------------------------------------------------------------------|
| <ul style="list-style-type: none"><li>• 6 Tablettes</li><li>• 1 Instruction Manual</li></ul> |
|----------------------------------------------------------------------------------------------|

- - 6 tablettes
  - 1 panier
  - 1 manuel d'instruction
- Placez l'appareil à l'endroit qui lui est réservé puis attendez environ deux heures avant de le brancher. Vous éviterez ainsi des troubles de fonctionnement au niveau du système de refroidissement possiblement occasionnés lors du transport.
- Nettoyez les surfaces intérieures avec un chiffon doux imbibé d'eau tiède.

### **Installation du refroidisseur à vin**

- Placez votre appareil sur un plancher qui est assez solide pour supporter l'appareil quand il est entièrement chargé. Réglez les pieds de nivellement au bas pour mettre l'appareil niveau.
- Laisser un espace (minimum 4 pouces) entre l'arrière et 5 de pouce sur les côtés et le panneau supérieur de l'unité, ce qui permet la circulation d'air nécessaire pour refroidir le compresseur et le condenseur.
- Placez votre refroidisseur à vin sur une surface solide qui peut en supporter le poids une fois rempli. Mettez-le de niveau en ajustant les pieds au bas de l'appareil.
- Placez l'appareil à l'abri des rayons du soleil et de sources de chaleur (four, chauffage, radiateur, etc.). Une exposition directe à la lumière du soleil peut affecter le revêtement acrylique de l'appareil et les sources de chaleur peuvent en faire augmenter la consommation d'électricité. Des températures ambiantes extrêmement froides peuvent aussi causer des problèmes de fonctionnement.
- Évitez d'installer l'appareil dans des endroits humides comme par exemple un garage.
- Branchez l'appareil seul dans une prise murale mise à la terre. Ne coupez ni enlevez sous aucun prétexte la troisième broche du cordon d'alimentation. Adressez toute question concernant

l'électricité ou la mise à la terre à un électricien certifié ou à un centre de service agréé.

### **Branchement au réseau électrique**

⚡ **AVERTISSEMENT** ⚡ : Une mauvaise utilisation de la prise mise à la terre peut présenter des risques d'électrocution. Si le cordon d'alimentation est endommagé, faites-le remplacer par un centre de service agréé.

Pour votre sécurité, l'appareil doit être convenablement mis à la terre. Afin de minimiser les risques d'électrocution, le cordon d'alimentation de cet appareil est muni d'une prise à trois broches qui se branche dans une prise murale standard à trois broches.

Ne coupez pas et n'enlevez pas, sous aucun prétexte, la troisième broche du cordon d'alimentation. Pour votre sécurité, l'appareil doit être convenablement mis à la terre.

Cet appareil est conçu pour fonctionner avec une prise de courant mise à la terre standard à trois broches de 115/120 V c.a. et 60 Hz. Faites vérifier la prise murale et le circuit électrique par un électricien qualifié pour vous assurer que la prise de courant est bien mise à la terre. Si la prise murale comporte deux broches, vous devez la remplacer ou la faire remplacer par une prise murale à trois broches mise à la terre. Gardez le cordon d'alimentation derrière l'appareil ou enroulé de façon à éviter les blessures accidents.

L'appareil doit toujours être branché seul à une prise murale dont la tension correspond à celle indiquée afin d'offrir le meilleur fonctionnement possible, mais aussi d'éviter une surchauffe des circuits électriques qui pourrait provoquer un incendie. Ne débranchez jamais l'appareil en tirant sur le cordon d'alimentation. Tenez plutôt fermement la fiche. Réparez ou remplacez immédiatement le cordon d'alimentation s'il est effilé ou abîmé. N'utilisez jamais de cordon d'alimentation fissuré ou usé au niveau de la gaine ou de la fiche. Lorsque vous devez déplacer l'appareil, assurez-vous de ne pas abîmer le cordon d'alimentation.

### **Rallonge**

En raison des dangers potentiels qu'elles présentent dans certaines circonstances, il est fortement recommandé de ne pas utiliser de rallonge avec cet appareil. Cependant, s'il est nécessaire d'en utiliser une, il est indispensable qu'elle soit homologuée par la CSA/CUL/UL de 115 volts, à trois conducteurs avec prise triphasée mise à la terre et d'au moins 10 ampères.

### **Parasurtenseur (Powerbar)**

La plupart des appareils électriques fonctionnent au moyen de divers tableaux de commande électriques. Ils sont très sensibles aux surtensions qui peuvent les endommager ou les détruire.

Si cet appareil doit être utilisé dans une région/ville/pays où les surtensions et les pannes de courant sont fréquentes, il est recommandé d'utiliser un parasurtenseur pour tous les appareils électriques que vous utilisez. Le parasurtenseur que vous choisirez doit être muni d'un bloc parasurtenseur suffisamment haut pour protéger l'appareil auquel il est branché. Pour toute question concernant le modèle ou la taille du parasurtenseur approprié pour vos besoins, communiquez avec un électricien agréé de votre région.

Les dommages causés par des surtensions ne sont pas considérés comme un vice du fabricant et annuleront la garantie du produit.



## **FONCTIONNEMENT DE L'APPAREIL**

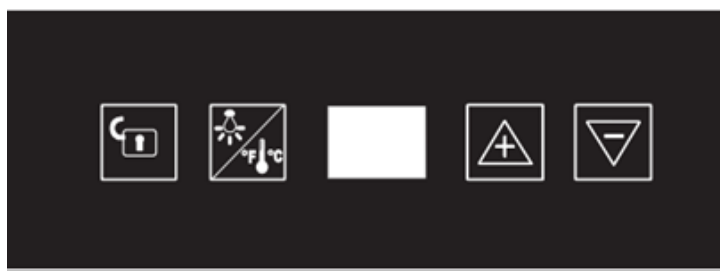
Il est recommandé de placer l'appareil dans un endroit où la température ambiante se situe entre 23° et 26°C (73°F-79°F). Si la température ambiante est supérieure ou inférieure à la température recommandée, il se peut que le fonctionnement de l'appareil en soit affecté. Par exemple, exposer votre appareil à un froid extrême ou à de fortes chaleurs peut faire fluctuer les températures intérieures et empêcher l'atteinte de l'amplitude de WB340WCNB 5° à 18°C (40°F - 65°F) / MCBC3SI 3° à 18°C (37° - 65°F).

### **Recommandation relatives à la température**

**Vins mousseux et rosés** : de 5°C à 9°C (40°F - 48°F)

**Vins secs et blancs** : de 9°C à 14°C (48°F - 57°F)

**Vins rouges** : de 15°C à 18°C (59°F - 64°F)



### **Déverrouillage du tableau de commande**



**Votre refroidisseur est équipé d'une fonction de verrouillage du panneau de commande qui se verrouille automatiquement 20 secondes après la dernière pression sur un bouton.**


**Appuyez sur le bouton pour déverrouiller le panneau de commande. Vous entendrez un son "BEEP" pour vous avertir que le contrôle est maintenant actif.**

### **Réglage de la température**



Vous pouvez sélectionner le réglage de l'affichage de la température de degrés Fahrenheit à Celsius en appuyant sur le bouton et en le maintenant enfoncé jusqu'à ce que l'affichage change

Si vous désirez changer la température, appuyer sur le boutons suivants :  ou  . La

température augmentera 1°F ou 1°C si vous touchez le bouton  une fois. En touchant le bouton



la température diminuera 1°F ou 1°C.

Quand vous conservez surtout des vins rouges, la température doit être située entre 15°C-18°C (59°F-64 °F). Quand vous conservez surtout des vins blancs, la température doit être situé entre 9°C-14°C (48°F- 57°F). Quand vous conservez surtout des vins mousseux, la température doit être situé entre 5°C-9°C (40°F-48°F). La température à l'intérieur de l'unité apparaîtra en bleu dans la fenêtre d'affichage.

### **REMARQUE :**

Si vous utilisez l'appareil pour la première fois ou que vous le redémarrez après qu'il ait été arrêté pendant une longue période, il pourrait y avoir un décalage de quelques degrés entre la température que vous avez sélectionnée et celle indiquée sur l'affichage à DEL. Ceci est normal étant donné la durée du temps d'activation. Lorsque l'appareil aura fonctionné quelques heures, tout rentrera dans l'ordre.

## **Éclairage intérieur**



Vous pouvez allumer ou éteindre l'éclairage intérieur en appuyant sur le bouton marqué du symbole "Light".

La lumière s'éteindra automatiquement si elle reste allumée pendant 10 minutes. Vous devez appuyer à nouveau sur le bouton "Light" pour le rallumer.

## **Capacité d'entreposage**

Les bouteilles peuvent varier en taille et en dimension. Ainsi, le nombre réel de bouteilles qu'il vous sera possible d'entreposer variera également. Ce refroidisseur à vin à vin peut contenir 34 bouteilles de taille standard (750 ml).

# **ENTRETIEN DE L'APPAREIL**

## **Nettoyage de l'appareil**

Coupez le courant, débranchez l'appareil et videz le contenu incluant les tablettes. Lavez les surfaces intérieures avec de l'eau chaude et une solution au bicarbonate de soude (2 cuillères à soupe pour ¼ de litre d'eau). Lavez les tablettes avec un détergent doux. Essorez bien l'éponge ou le chiffon avant de nettoyer les parties de contrôle ou toute partie électrique. Lavez l'extérieur de l'appareil avec de l'eau chaude et du détergent liquide doux. Rincez bien et essuyez le tout à l'aide d'un chiffon doux et propre.

**ATTENTION** : En ne débranchant pas l'appareil, vous vous exposez à des risques d'électrocution ou de préjudice corporel.

## **Panne de courant**

La plupart des coupures de courant se rétablissent en quelques heures et ne devraient pas affecter la température de votre refroidisseur à vin si vous ouvrez la porte le moins possible. Si le courant ne se rétablit pas avant longtemps, voyez à protéger le contenu de l'appareil.

## **Déplacement de l'appareil**

Videz l'appareil. Fixer à l'aide de ruban adhésif toutes les pièces libres (tablettes) à l'intérieur de l'appareil. Vissez les pieds ajustables au maximum. Fermez la porte à l'aide de ruban adhésif. Assurez-vous que l'appareil soit positionné verticalement pendant le transport. Si vous devez absolument le coucher, assurez vous de le transporter sur le dos (porte sur le dessus. Protégez-en l'extérieur à l'aide d'une couverture, d'une toile, etc.

## **Conseils écoénergétiques**

L'appareil doit être placé dans l'endroit le plus frais de la pièce, loin des appareils qui dégagent de la chaleur et des rayons directs du soleil.

## GUIDE DE DÉPANNAGE

Vous pouvez facilement résoudre plusieurs des problèmes courants de votre appareil et vous épargner ainsi des frais de service. Essayez les suggestions ci-dessous qui s'appliquent à votre situation avant de faire appel à un professionnel.

PROBLÈME	CAUSE POSSIBLE	SOLUTION
L'appareil ne fonctionne pas.	Il est débranché. Il est éteint. Le disjoncteur est éteint ou le fusible grillé.	Vérifiez s'il est bien branché. Vérifiez le disjoncteur et/ou les fusibles.
L'appareil n'est pas assez froid.	L'environnement extérieur nécessite un réglage plus élevé. La porte est ouverte trop souvent. La porte est mal fermée. Le coupe-froid d'étanchéité de la porte n'est pas suffisamment étanche.	Vérifiez le réglage de contrôle de la température. Vérifiez si la porte est bien fermée. Vérifiez si le coupe-froid est en parfaite condition.
Le <b>compresseur</b> part et arrête fréquemment.	La température de la pièce est plus élevée que la normale. Un nombre élevé de produits a été ajouté. La porte est ouverte trop souvent. La porte est mal fermée. Le contrôle de la température est mal réglé. Le coupe-froid d'étanchéité de la porte n'est pas suffisamment étanche.	Vérifiez si la porte est bien fermée. Régler le contrôle de la température autrement. Vérifier l'état du coupe-froid.
Les <b>ventilateurs</b> partent et arrêtent fréquemment.	Afin de faire circuler l'air et de maintenir la température appropriée à l'intérieur du refroidisseur à vin, les ventilateurs doivent effectuer leur cycle de mise en marche et arrêt quand le compresseur n'est pas en fonction. Les ventilateurs feront le cycle de mise en marche et arrêt pendant que le compresseur n'est pas en fonction environ à toutes les 10 secondes, c'est ce qu'on appelle l'état de semi-vitesse. Ce cycle est normal et a pour but de faire circuler l'air ainsi que d'assurer l'opération continue des ventilateurs. Si le ventilateur s'arrête complètement et ne complète pas son cycle, le ventilateur n'est pas opérationnel.	
La lumière ne fonctionne pas.	L'appareil est débranché. Le disjoncteur est éteint ou le fusible grillé. L'ampoule a grillé. L'interrupteur de la lumière est en position d'arrêt.	Vérifier s'il est bien branché Vérifier le disjoncteur et/ou les fusibles.
L'appareil vibre.	L'appareil n'est pas à niveau Les bouteilles vibrent entre elles. Il y a un objet sous le refroidisseur à vin.	Vérifiez que l'appareil est bien à niveau. Ajuster les bouteilles pour éviter qu'elles vibrent. Vérifier sous le refroidisseur à vin.
L'appareil semble faire trop de bruit.	L'appareil n'est pas à niveau.	Mettre l'appareil de niveau. Le son de crécelle peut provenir du fluide réfrigérant, ce qui est <b>normal</b> . À la fin de chaque cycle, vous pourriez entendre des gargouillis provenant du fluide qui circule dans les conduits. La contraction et la dilatation des murs intérieurs peuvent produire des craquements et des cliquetis.
La porte ne se ferme pas bien.	L'appareil n'est pas à niveau. La porte a été mal installée après avoir été inversée. Le coupe-froid est sale. Les tablettes ne sont pas bien installées.	Vérifiez que l'appareil est bien à niveau. Vérifiez l'installation de la porte. Nettoyez le coupe-froid. Vérifiez l'installation des tablettes.

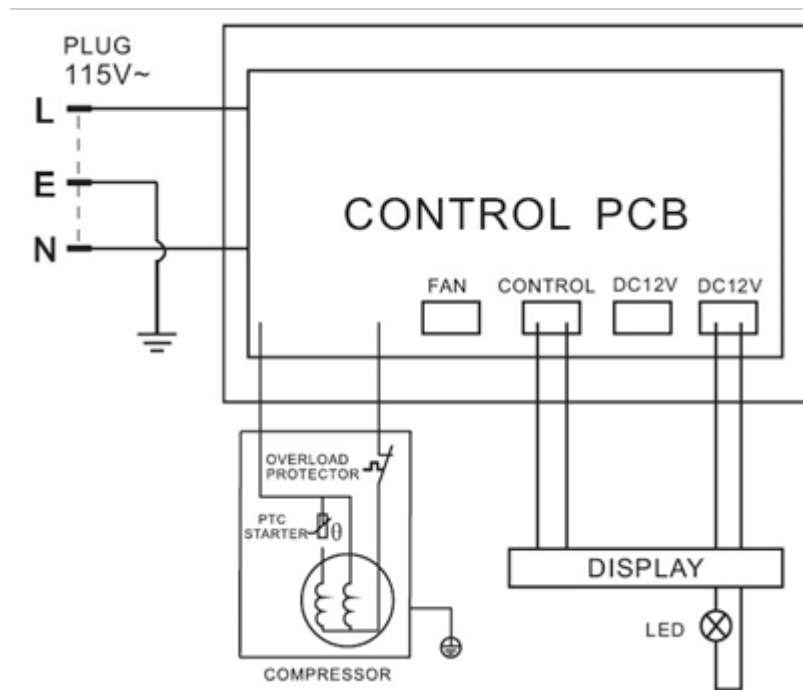
## SERVICE DU RÉFRIGÉRATEUR

Nous sommes fiers de notre service à la clientèle et du réseau de techniciens professionnels qui offrent des services sur les produits Westbend. Avec l'achat de votre appareil Westbend, vous pouvez être sûr que si vous avez besoin d'informations ou d'aide, l'équipe du service à la clientèle Westbend sera là pour vous. Appelez-nous sans frais.

### Service à la clientèle Westbend

<u>Informations sur les produits</u> <b>Anglais:</b> 800-323-5029	Quel que soit votre question à propos de nos produits, nous sommes disponible.
<u>Commande de pièces</u> <b>Anglais:</b> 800-220-5570	Vous pouvez commander des pièces et accessoires qui seront livrés directement à votre domicile par chèque personnel, mandat, Master Card ou Visa.
<u>Réparation à domicile</u> <b>Anglais:</b> 800-220-5570	Un centre de service autorisé Westbend fournira un service de réparation professionnel, prévue à un moment qui vous convient. Nos réparateurs formés connaissent votre réfrigérateur de fond en comble.

## DIAGRAMME ÉLECTRIQUE



# GARANTIE SUR LES PRODUITS WESTBEND

Agrafez votre reçu d'achat ici.

**La preuve de la date d'achat d'origine est nécessaire pour obtenir un service sous garantie.**

## CE QUI EST COUVERT DURANT LA GARANTIE LIMITÉE D'UN AN.

Westbend garantit que le produit est exempt de défauts de matériaux et / ou de fabrication pour une période de douze (12) mois à compter de la date d'achat par le propriétaire initial. La période commence à la date d'achat, et ne sera pas retardée, restreinte, prolongée ou suspendu pour quelque raison que ce soit, à moins que décrit en détail dans le document de garantie. Pendant un an à partir de la date d'achat par le propriétaire initial, Westbend, à sa discrétion, réparera ou remplacera toute pièce du produit qui s'avère défectueux dans le cadre d'une utilisation normale. Westbend vous fournira un produit raisonnablement semblable neuf ou remis à neuf. Pendant cette période, Westbend fournira toutes les pièces et la main-d'œuvre nécessaires pour corriger ces défauts gratuitement, tant que le produit a été installé et utilisé conformément aux instructions écrites dans ce manuel. En usage locatif ou commercial, la période de garantie est de 90 jours. Tous les appareils Westbend de 4,2 pieds cubes la capacité ou moins doivent être traduits / envoyé au centre de service de l'appareil pour réparation.

## GARANTIE LIMITÉE DE LA DEUXIÈME À LA CINQUIÈME ANNÉE

Pour la deuxième à la cinquième année suivant la date d'achat d'origine, Westbend fournira sans frais un compresseur de remplacement en cas de problème. Vous êtes responsable de la main-d'œuvre et des frais de transport. En usage locatif ou commercial, la garantie du compresseur est limitée à un an et neuf mois. Les frais relatifs au déplacement (si nécessaire) du produit au centre de service et du retour à la maison de l'utilisateur sont la responsabilité de l'utilisateur.

## CE QUI N'EST PAS COUVERT

La couverture de la garantie décrite ici exclut tous les défauts ou les dommages qui ne sont pas la faute directe de Westbend, y compris mais sans s'y limiter, un ou plusieurs des éléments suivants:

- Un défaut de se conformer à toute loi applicable, au niveau local, ville, état, province ou comté, des codes électriques, de la plomberie et / ou des codes du bâtiment, règlements ou lois, y compris le défaut d'installer le produit en stricte conformité avec les codes du bâtiment et les règlements locaux.
- Toutes les forces élémentaires et / ou environnementales externes et de facteurs, y compris mais sans s'y limiter, la pluie, le vent, le sable, inondations, incendies, coulées de boue, gel, humidité excessive ou exposition prolongée à l'humidité, la foudre, les surtensions, les défaillances structurelles entourant l'appareil, et les actes de Dieu.
- Pertes contenu de la nourriture ou tout autre contenu en raison de la détérioration.
- Dommages directs ou indirects
- Les pièces et les coûts de main-d'œuvre pour les raisons suivantes ne seront pas considérées comme garantie:
  - Portes, ressorts de la porte, et / ou des cadres.
  - Panneaux intérieurs de portes, des étagères de porte, rails de porte, et / ou supports de porte.
  - Couverture du congélateur coffre.
  - Revêtements en plastique du caisson
  - Évaporateur perforé qui annule la garantie sur le système scellé complet.
- Frais d'expédition et de manutention liés au remplacement de l'appareil.
- Réparations effectuées par réparateurs non autorisés.
- Les appels de service qui sont liés à des problèmes externes, tels que l'abus, l'alimentation électrique inadéquate, les accidents, les incendies, les inondations, ou d'autres actes de Dieu.
- Une panne du produit s'il est utilisé pour autre chose que son intention.
- Les suppléments, y compris mais sans s'y limiter, toute après heure, week-end ou des appels de service de vacances, les péages, les frais de voyage de convoyage ou les frais de déplacement pour les appels de service dans les régions éloignées.

La garantie ne s'applique pas en dehors de la zone continentale des États-Unis.

En aucun cas, Westbend doit être tenu responsables des dommages à la propriété environnante, y compris les armoires, les planchers, les plafonds et autres structures et / ou des objets autour du produit. Sont également exclus de cette garantie les égratignures, les entailles, éraflures et autres dommages cosmétiques sur les surfaces externes et les parties exposées; les produits dont les numéros de série ont été modifiés, effacés ou supprimés; les visites de service pour la formation des clients, ou des visites où le produit ne présente pas de problème; la correction de problèmes d'installation (vous êtes seul responsable de toute structure et réglage du produit, y compris tous les systèmes électriques, la plomberie et/ou d'autres installations de raccordement, la présence d'un bon plancher/fondation, et de toute modification y compris mais sans s'y limiter, les armoires, les murs, les planchers, les étagères etc., ainsi que la remise à zéro des disjoncteurs ou des fusibles.

## PRODUIT HORS GARANTIE

Westbend n'a aucune obligation, en droit ou autrement, de vous fournir toutes concessions, y compris les réparations, les prorata, ou le remplacement du produit, une fois la garantie expirée.

