

ELECTRIC COOKTOP INSTALLATION INSTRUCTIONS

INSTRUCTIONS D'INSTALLATION DE LA TABLE DE CUISSON ÉLECTRIQUE

Table of Contents/Table des matières

COOKTOP SAFETY	1	SÉCURITÉ DE LA TABLE DE CUISSON	9
INSTALLATION REQUIREMENTS	2	EXIGENCES D'INSTALLATION	9
Tools and Parts.....	2	Outillage et pièces.....	9
Location Requirements	2	Exigences d'emplacement.....	9
Electrical Requirements	4	Spécifications électriques.....	11
INSTALLATION INSTRUCTIONS	5	INSTRUCTIONS D'INSTALLATION	12
Prepare Cooktop for Installation	5	Préparation de la table de cuisson pour l'installation.....	12
Install Cooktop	5	Installation de la table de cuisson.....	12
Make Electrical Connection	6	Raccordement électrique.....	13
Attach Cooktop to Countertop	8	Fixation de la table de cuisson au plan de travail.....	16
Complete Installation	8	Achever l'installation	16

COOKTOP SAFETY

Your safety and the safety of others are very important.

We have provided many important safety messages in this manual and on your appliance. Always read and obey all safety messages.



This is the safety alert symbol.

This symbol alerts you to potential hazards that can kill or hurt you and others.

All safety messages will follow the safety alert symbol and either the word "DANGER" or "WARNING."

These words mean:

⚠ DANGER

You can be killed or seriously injured if you don't immediately follow instructions.

⚠ WARNING

You can be killed or seriously injured if you don't follow instructions.

All safety messages will tell you what the potential hazard is, tell you how to reduce the chance of injury, and tell you what can happen if the instructions are not followed.

IMPORTANT:

Save for local electrical inspector's use.

Installer: Leave Installation Instructions with the homeowner.

Homeowner: Keep Installation Instructions for future reference.

IMPORTANT :

À conserver pour consultation par l'inspecteur local des installations électriques.

Installateur : Remettre les Instructions d'installation au propriétaire.

Propriétaire : Conserver les Instructions d'installation pour référence ultérieure.

INSTALLATION REQUIREMENTS

Tools and Parts

Gather the required tools and parts before starting installation. Read and follow the instructions provided with any tools listed here.

Tools needed

- Tape measure
- Screwdriver
- Level
- Marker or pencil
- Pliers

Parts supplied

- Clamp brackets (2)
- 2¹/₂" (6.4 cm) clamping screws (2)
- Foam strip

Parts needed

- A UL listed or CSA approved conduit connector
- UL listed wire connectors

Check local codes. Check existing electrical supply. See "Electrical Requirements" section.

It is recommended that all electrical connections be made by a licensed, qualified electrical installer.

Location Requirements

Make sure you have everything needed for correct installation. It is the responsibility of the installer to comply with the installation clearances specified in these instructions.

IMPORTANT: Observe all governing codes and ordinances. When installing cooktop, use minimum dimensions given.

- To eliminate the risk of burns or fire by reaching over the heated surface units, cabinet storage space located above the surface units should be avoided. If cabinet storage is to be provided, the risk can be reduced by installing a range hood that projects horizontally a minimum of 5" (12.7 cm) beyond the bottom of the cabinets.
- The cooktop must be a specified cooktop that is approved to be installed either alone or over an undercounter built-in oven. Check the cooktop base for an approved installation label for your cooktop model number and approved combinations of cooktops and ovens that can be installed. If you do not find this label, your cooktop may not be approved for use over an undercounter built-in oven. Contact your dealer to confirm that your cooktop is approved.
- Ovens approved for this type of installation will have an approval label located on the top of the oven. If you do not find this label, contact your dealer to confirm that your oven is approved. Refer to oven manufacturer's Installation Instructions for approval for built-in undercounter use and proper cutout dimensions.
- Cabinet opening dimensions that are shown must be used. Given dimensions are minimum clearances.
- Grounded electrical supply is required. See "Electrical Requirements" section.

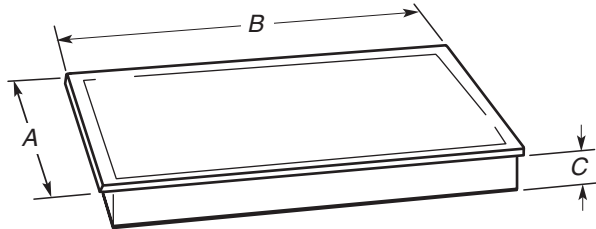
IMPORTANT: To avoid damage to your cabinets, check with your builder or cabinet supplier to make sure that the materials used will not discolor, delaminate or sustain other damage.

Mobile Home - Additional Installation Requirements

The installation of this cooktop must conform to the Manufactured Home Construction and Safety Standard, Title 24 CFR, Part 3280 (formerly the Federal Standard for Mobile Home Construction and Safety, Title 24, HUD Part 280). When such standard is not applicable, use the Standard for Manufactured Home Installations, ANSI A225.1/NFPA 501A or with local codes.

In Canada, the installation of this cooktop must conform with the current standards CAN/CSA-A240-latest edition, or local codes.

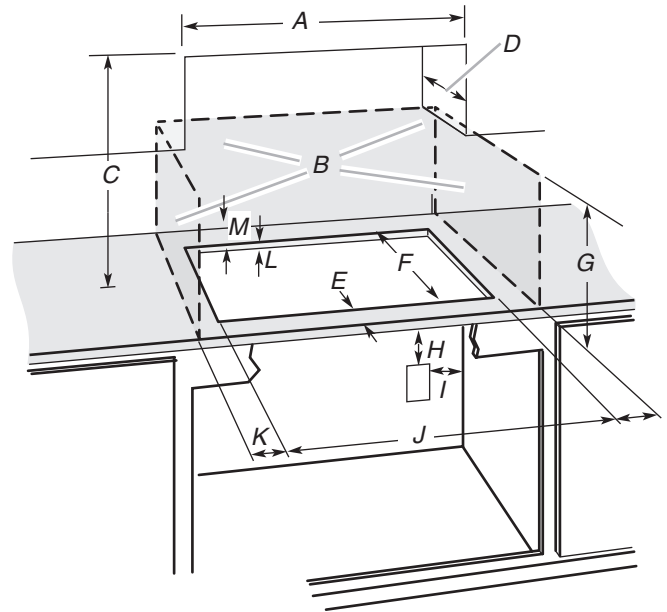
Product Dimensions



- A. $21\frac{5}{16}$ " (54.1 cm)
- B. $16\frac{9}{16}$ " (42.1 cm)
- C. $2\frac{7}{8}$ " (7.3 cm)

Cabinet Requirements

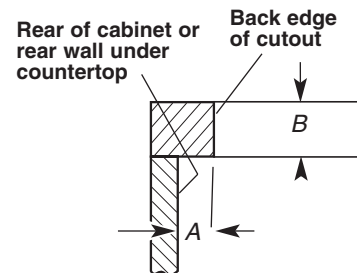
IMPORTANT: If installing a range hood or microwave hood combination above the range, follow the range hood or microwave hood combination installation instructions for dimensional clearances above the cooktop surface.



- A. 15" (38.1 cm)
- B. Combustible area above countertop (shown by dashed box above)
- C. 30" (76.2 cm) minimum clearance between top of cooktop platform and bottom of uncovered wood or metal cabinet (24" [61 cm] minimum clearance if bottom of wood or metal cabinet is covered by not less than 1/4" [0.6 cm] flame retardant millboard covered with not less than No. 28 MSG sheet steel, 0.015" [0.04 cm] stainless steel, or 0.024" [0.06 cm] aluminum or 0.020" [0.05 cm] copper)
- D. 13" (33 cm) recommended upper cabinet depth
- E. 2" (5.1 cm)
- F. $20\frac{3}{8}$ " (51.8 cm)
- G. 18" (45.7 cm) minimum clearance from upper cabinet to countertop within minimum horizontal clearances to cooktop
- H. Junction box or outlet; 12" (30.5 cm) minimum from bottom of countertop
- I. Junction box or outlet; 10" (25.4 cm) from right side of cabinet
- J. $14\frac{5}{8}$ " (37.2 cm)
- K. 1" (2.5 cm) minimum distance to nearest left and right side combustible surface above cooktop
- L. $1\frac{1}{2}$ " (3.8 cm) maximum counter thickness. See the following illustration.
- M. 1" (2.5 cm) minimum clearance between back wall and countertop

NOTES: After making the countertop cutout, some installations may require notching down the base cabinet side walls to clear the burner box. To avoid this modification, use a base cabinet with side walls wider than the cutout.

If cabinet has a drawer, a 3" (7.6 cm) depth clearance from the countertop to the top of the drawer (or other obstruction) in base cabinet is required.



- A. $11\frac{1}{16}$ " (1.7 cm) minimum
- B. $1\frac{1}{2}$ " (3.8 cm) maximum

Electrical Requirements

! WARNING



Electrical Shock Hazard

Disconnect power before servicing.

Use 12 gauge copper wire.

Electrically ground cooktop.

Failure to follow these instructions can result in death, fire, or electrical shock.

If codes permit and a separate ground wire is used, it is recommended that a qualified electrical installer determine that the ground path and wire gauge are in accordance with local codes.

Check with a qualified electrical installer if you are not sure the oven is properly grounded.

Make sure that the electrical connection and wire size are adequate and in conformance with the National Electrical Code, ANSI/NFPA 70-latest edition or CSA Standards C22.1-94, Canadian Electrical Code, Part 1 and C22.2 No. O-M91-latest edition, and all local codes and ordinances.

A copy of the above code standards can be obtained from:

National Fire Protection Association
1 Batterymarch Park
Quincy, MA 02169-7471

CSA International
8501 East Pleasant Valley Road
Cleveland, Ohio 44131-5575

Before You Make the Electrical Connection:

To properly install your cooktop, you must determine the type of electrical connection you will be using and follow the instructions provided for it here.

- A 4-wire or 3-wire, single phase, 240 V, 60 Hz, AC only electrical supply is required on a separate, 20 A circuit, fused on both sides of the line. The model/serial/rating plate is located on the bottom of the burner box underneath the cooktop.
- Cooktops with 3-wire cable coming from the cooktop are rated 240 V and do not have a neutral (white) wire.
- This model requires a 20 A circuit.
- The cooktop should be connected directly to the junction box through flexible, armored or nonmetallic sheathed, copper cable. The flexible, armored cable extending from the fuse box or circuit breaker box should be connected directly to the junction box.
- Locate the junction box to allow as much slack as possible between the junction box and the cooktop so that the cooktop can be moved if servicing becomes necessary in the future.
- Do not cut the conduit. The length of conduit provided is for serviceability of the cooktop.
- A UL listed or CSA approved conduit connector must be provided at each end of the power supply cable (at the cooktop and at the junction box). A listed conduit connector is already provided at the cooktop.
- If the house has aluminum wiring, follow the procedure below:
Connect the aluminum wiring using special connectors and/or tools designed and UL listed for joining copper to aluminum.
Follow the electrical connector manufacturer's recommended procedure. Aluminum/copper connection must conform with local codes and industry accepted wiring practices.

INSTALLATION INSTRUCTIONS

Prepare Cooktop for Installation

! WARNING

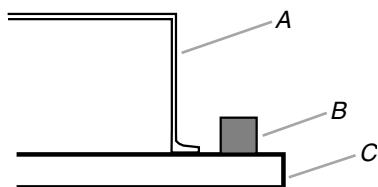
Excessive Weight Hazard

Use two or more people to move and install cooktop.

Failure to do so can result in back or other injury.

1. Decide on the final location for the cooktop.
2. Using 2 or more people, place the cooktop upside down on a covered surface. Clean along the outside surface of the cooktop where the foam strip will be applied.
3. Remove foam strip from package containing literature. Remove backing from foam strip. Apply foam strip adhesive-side down around bottom of cooktop, flush with edge.

NOTE: The foam strip helps keep the underside of the cooktop glass free from debris and helps the cooktop sit flat on uneven counters.



A. Cooktop base
B. Foam strip
C. Glass

Install Cooktop

Style 1: Cooktop over undercounter built-in oven

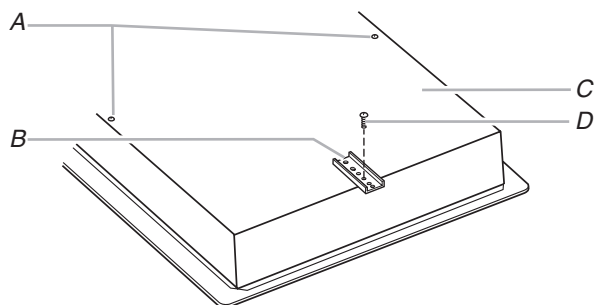
IMPORTANT: Clamp brackets should not be used.

1. Using 2 or more people, turn cooktop right side up.
2. Place cooktop in cutout.

NOTE: Make sure that the front edge of the cooktop is parallel to the front edge of the countertop. If repositioning is needed, lift entire cooktop up from cutout to avoid scratching the countertop.

Style 2: Cooktop over cabinets

1. Determine whether your cabinet construction provides clearance for installing clamp brackets at cooktop base ends. This is the recommended location. Clamp brackets can be installed on the front and back of cooktop base bottom, if necessary.

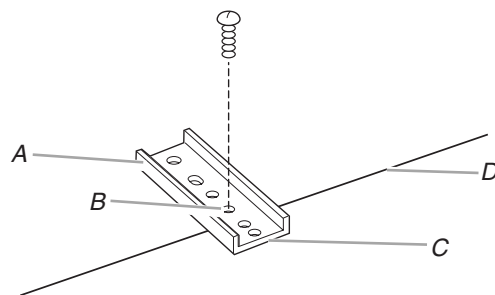


A. Attachment screw holes for optional front and back location
B. Clamp bracket (end locations recommended)
C. Cooktop base bottom
D. Attachment screw

2. The clamp brackets can be installed before or after the cooktop is placed into the cutout. Complete the following steps for the option you choose.

Installing Brackets Before Placing Cooktop in Cutout

1. Remove the attachment screws for the selected bracket locations from the bottom of the cooktop base.
2. Select bracket mounting holes that will allow the bracket to extend far enough out from the cooktop for the installation of 2 1/2" (6.4 cm) clamping screws. See "Attach Cooktop to Countertop" section for illustration of clamping screw installation.



A. Clamp bracket
B. Recommended attachment screw location
C. Clamping screw location
D. Edge of cooktop base bottom

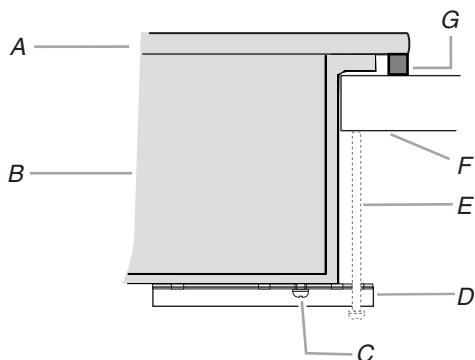
3. Attach brackets to bottom of cooktop base with bracket attachment screws using the bracket mounting holes selected in Step 2.
4. Rotate brackets so they do not extend beyond edge of cooktop base.
5. Tighten screws just enough to hold brackets in place when cooktop is put in cutout.
6. Turn the cooktop right side up, and place in cutout.

NOTE: Make sure that the front edge of the cooktop is parallel to the front edge of the countertop. If repositioning is needed, lift entire cooktop up from cutout to avoid scratching the countertop.

7. Loosen the screws, and rotate the brackets so that they are perpendicular to the edge of the cooktop base and extend beyond its edge. Securely tighten screws.

Installing Brackets After Placing Cooktop in Cutout

- Using 2 or more people, place cooktop in cutout.
NOTE: Make sure that the front edge of the cooktop is parallel to the front edge of the countertop. If repositioning is needed, lift entire cooktop up from cutout to avoid scratching the countertop.
- Remove the attachment screws for the selected bracket locations from the bottom of the cooktop base.
- Select bracket mounting holes that will allow the bracket to extend far enough out from the cooktop for the installation of 2 1/2" (6.4 cm) clamping screws.



- A. Glass cooktop
B. Cooktop base
C. Attachment screw
D. Clamp bracket (extends far enough beyond cooktop base to allow installation of clamping screws)
E. 2 1/2" (6.4 cm) clamping screw (to be installed in "Attach Cooktop to Countertop" section)
F. Countertop
G. Foam seal

- Attach brackets to bottom of cooktop base with bracket attachment screws using the bracket mounting holes selected in Step 3. Securely tighten screws.

Make Electrical Connection

⚠ WARNING



Electrical Shock Hazard

Disconnect power before servicing.

Use 12 gauge copper wire.

Electrically ground cooktop.

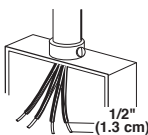
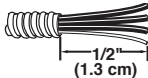
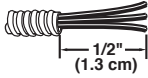
Failure to follow these instructions can result in death, fire, or electrical shock.

This cooktop is manufactured with a frame-connected, green or bare ground wire. Connect the cooktop cable to the junction box through the UL listed or CSA approved conduit connector.

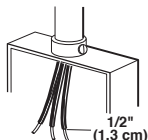
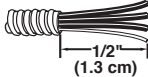
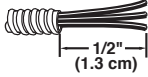
- Disconnect power.
- Remove junction box cover, if present.
- Connect the flexible cable conduit from the cooktop to the junction box using a UL listed or CSA approved conduit connector.
- Tighten screws on conduit connector, if present.
- See "Electrical Connection Options Chart" to complete installation for your type of electrical connection.

Electrical Connection Options Chart

For cooktops with a 4-wire cable:

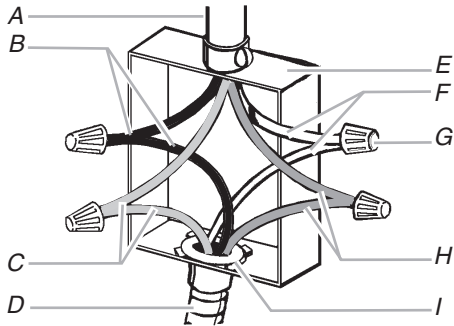
If your home has:	If your cooktop has:	Go to section:
4-wire 	4-wire 	4-Wire Cable from Home Power Supply to 4-Wire Cable from Cooktop
	3-wire 	4-Wire Cable from Home Power Supply to 3-Wire Cable from Cooktop

For cooktops with a 3-wire cable:

If your home has:	If your cooktop has:	Go to section:
3-wire 	4-wire 	3-Wire Cable from Home Power Supply to 4-Wire Cable from Cooktop
	3-wire 	3-Wire Cable from Home Power Supply to 3-Wire Cable from Cooktop

4-Wire Cable from Home Power Supply to 4-Wire Cable from Cooktop

IMPORTANT: Use the 4-wire cable from home power supply in the U.S. where local codes do not allow grounding through neutral, new branch circuit installations (1996 NEC), mobile homes and recreational vehicles, new construction, and in Canada.

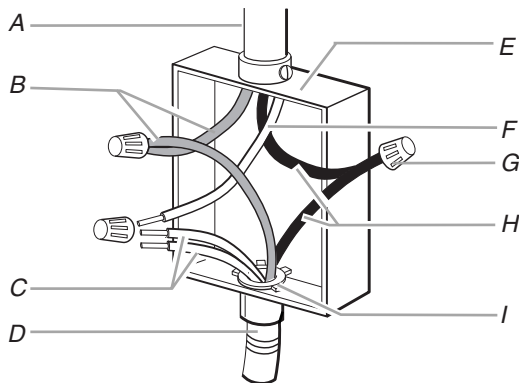


- | | |
|------------------------------|--|
| A. Cable from power supply | F. White wires |
| B. Black wires | G. UL listed wire connector |
| C. Bare or green wires | H. Red wires |
| D. 4-wire cable from cooktop | I. UL listed or CSA approved conduit connector |
| E. Junction box | |

1. Connect the 2 black wires together using the UL listed wire connectors.
2. Connect the 2 red wires together using the UL listed wire connectors.
3. Connect the 2 white wires together using the UL listed wire connectors.
4. Connect the green or bare ground wire from the cooktop cable to the green or bare ground wire (in the junction box) using the UL listed wire connectors.
5. Install junction box cover.

3-Wire Cable from Home Power Supply to 4-Wire Cable from Cooktop - U.S. Only

IMPORTANT: Use the 3-wire cable from power supply where local codes permit connecting the frame-ground conductor to the neutral (white) junction box wire.

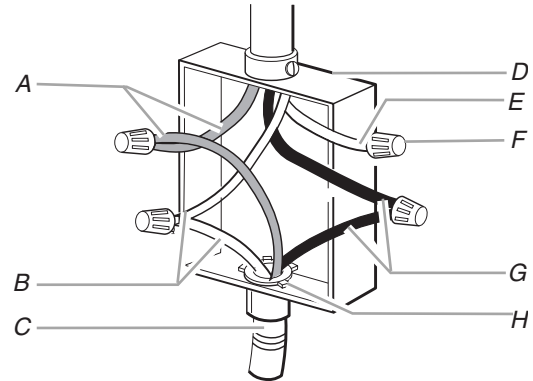


- | | |
|------------------------------|--|
| A. Cable from power supply | F. White wire |
| B. Red wires | G. UL listed wire connector |
| C. Bare or green wires | H. Black wires |
| D. 4-wire cable from cooktop | I. UL listed or CSA approved conduit connector |
| E. Junction box | |

1. Connect the 2 black wires together using the UL listed wire connectors.
2. Connect the 2 red wires together using the UL listed wire connectors.
3. Connect the green or bare and white cooktop cable wires to the white (neutral) wire in the junction box using the UL listed wire connectors.
4. Install junction box cover.

4-Wire Cable from Home Power Supply to 3-Wire Cable from Cooktop

IMPORTANT: Use the 4-wire cable from home power supply in the U.S. where local codes do not allow grounding through neutral, new branch circuit installations (1996 NEC), mobile homes and recreational vehicles, new construction, and in Canada.

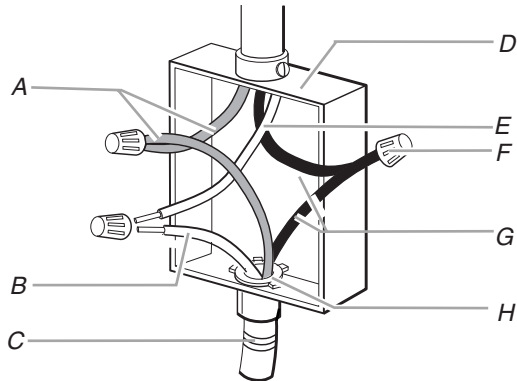


- | | |
|---|--|
| A. Red wires | E. White wire (from power supply) |
| B. Green or bare ground wire (from cooktop) | F. UL listed wire connector |
| C. 3-wire cable from cooktop | G. Black wires |
| D. Junction box | H. UL listed or CSA approved conduit connector |

1. Connect the 2 black wires together using the UL listed wire connectors.
2. Connect the 2 red wires together using the UL listed wire connectors.
3. Connect the green or bare ground wire from the cooktop cable to the green or bare ground wire (in the junction box) using the UL listed wire connectors.
4. Put a UL listed wire connector on the end of the white wire.
NOTE: Do not connect the bare ground wire to the neutral (white) wire in the junction box.
5. Install junction box cover.

3-Wire Cable from Power Supply to 3-Wire Cable from Cooktop - U.S. Only

IMPORTANT: Use the 3-wire cable from power supply where local codes permit connecting the frame-ground conductor to the neutral (white) junction box wire.

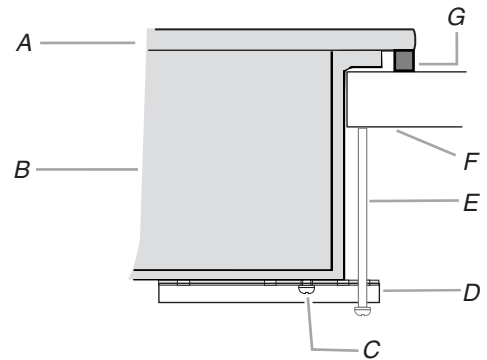


- | | |
|------------------------------------|---|
| A. Red wires | E. White wire (from power supply) |
| B. Bare or green wire from cooktop | F. UL listed wire connector |
| C. 3-wire cable (from cooktop) | G. Black wires |
| D. Junction box | H. UL listed or CSA approved conduit connecto |

1. Connect the 2 black wires together using the UL listed wire connectors.
2. Connect the 2 red wires together using the UL listed wire connectors.
3. Connect the green or bare cooktop cable wires to the white (neutral) wire in the junction box using the UL listed wire connectors.
4. Install junction box cover.

Attach Cooktop to Countertop

NOTE: This section applies only if you are using clamping brackets.



- | | |
|---|-----------------------------------|
| A. Glass cooktop | E. 2 1/2" (6.4 cm) clamping screw |
| B. Cooktop base | F. Countertop |
| C. Attachment screw | G. Foam sea |
| D. Clamping bracket (extends far enough beyond cooktop base to allow installation of clamping screws) | |

1. Place the 2 1/2" (6.4 cm) clamping screws into the outermost hole in the clamping bracket.
2. Check that the cooktop is still level.
3. Use a screwdriver to tighten the screws against the countertop. Do not overtighten.

Complete Installation

1. Check that all parts are now installed. If there is an extra part, go back through the steps to see which step was skipped.
2. Check that you have all your tools.
3. Dispose of/recycle all packaging materials.
4. Use a mild solution of liquid household cleaner and warm water to clean cooktop before use. Dry thoroughly with a soft cloth. For more information, see the "Cooktop Care" section of the Use and Care Guide.
5. Read "Cooktop Use" section in the cooktop Use and Care Guide.
6. Reconnect power.

NOTE: If the cooktop does not work after turning on the power, check that a circuit breaker has not tripped or a household fuse has not blown. See "Troubleshooting" section in the Use and Care Guide for further information.

If you need assistance or service:

Please reference the "Assistance or Service" section of the Use and Care Guide or contact the dealer from whom you purchased your cooktop.

SÉCURITÉ DE LA TABLE DE CUISSON

Votre sécurité et celle des autres est très importante.

Nous donnons de nombreux messages de sécurité importants dans ce manuel et sur votre appareil ménager. Assurez-vous de toujours lire tous les messages de sécurité et de vous y conformer.



Voici le symbole d'alerte de sécurité.

Ce symbole d'alerte de sécurité vous signale les dangers potentiels de décès et de blessures graves à vous et à d'autres.

Tous les messages de sécurité suivront le symbole d'alerte de sécurité et le mot "DANGER" ou "AVERTISSEMENT". Ces mots signifient :

⚠ DANGER

Risque possible de décès ou de blessure grave si vous ne suivez pas immédiatement les instructions.

⚠ AVERTISSEMENT

Risque possible de décès ou de blessure grave si vous ne suivez pas les instructions.

Tous les messages de sécurité vous diront quel est le danger potentiel et vous disent comment réduire le risque de blessure et ce qui peut se produire en cas de non-respect des instructions.

EXIGENCES D'INSTALLATION

Outillage et pièces

Rassembler les outils et pièces nécessaires avant de commencer l'installation. Lire et suivre les instructions fournies avec les outils indiqués ici.

Outillage nécessaire

- Mètre-ruban
- Tournevis
- Niveau
- Marqueur ou crayon
- Pince

Pièces fournies

- Supports de fixation (2)
- Vis de fixation de 2 1/2 po (6,4 cm) (2)
- Bande de mousse

Pièces nécessaires

- Un connecteur de conduit - homologation UL ou CSA
- Des connecteurs de fils - homologation UL

Vérifier les codes locaux. Vérifier l'alimentation électrique existantes. Voir la section "Spécifications électriques".

Il est recommandé de faire réaliser tous les raccordements électriques par un électricien qualifié agréé.

Exigences d'emplacement

S'assurer d'avoir tout le nécessaire pour une installation convenable. C'est à l'installateur qu'incombe la responsabilité de se conformer aux dégagements de séparation spécifiés dans ces instructions.

IMPORTANT : Observer les dispositions de tous les codes et règlements en vigueur. When installing cooktop, use minimum dimensions given.

- Afin de supprimer le risque de brûlures ou d'incendie lié au fait de se pencher au-dessus des plaques de cuisson chaudes, les placards de rangement au-dessus des plaques doivent être évités. Si des placards de rangement sont envisagés, le risque peut être réduit par l'installation d'une hotte de cuisine dépassant le bas des placards d'au moins 5 po (12,7 cm) horizontalement.
- La table de cuisson doit être une table de cuisson spécifiée, et doit être approuvée pour une installation seule ou sur un four encastré sous comptoir. Vérifier que la base de la table de cuisson comporte une étiquette d'installation approuvée pour le numéro de modèle de votre table de cuisson et les combinaisons approuvées de tables de cuisson et de fours qui peuvent être installés. Si vous ne trouvez pas cette étiquette, il se peut que votre table de cuisson ne soit pas approuvée pour une utilisation au-dessus d'un four encastré sous comptoir. Contacter le marchand pour confirmer que votre table de cuisson est bien approuvée.
- Les fours approuvés pour ce type d'installation comportent une étiquette d'approbation située sur le dessus du four. Si vous ne trouvez pas cette étiquette, contactez votre marchand pour confirmer que le four est bien approuvé. Consulter les Instructions d'installation du fabricant du four pour obtenir l'approbation de l'utilisation en encastré et les dimensions correctes.

- Respecter les dimensions indiquées pour les ouvertures à découper dans les placards. Ces dimensions constituent les valeurs minimales des dégagements.
- Une source d'électricité avec liaison à la terre est nécessaire. Voir la section "Spécifications électriques".

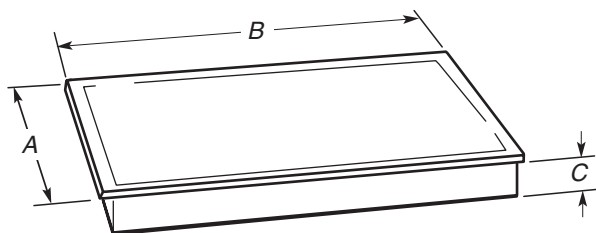
IMPORTANT : Afin d'éviter d'endommager les placards, consulter l'installateur ou le fabricant des placards pour déterminer si les matériaux utilisés peuvent subir un changement de couleur, une déstratification, ou d'autres dommages.

Résidence mobile – Spécifications additionnelles à respecter lors de l'installation

L'installation de cette table de cuisson doit être conforme aux dispositions de la norme Manufactured Home Construction and Safety Standard, Title 24 CFR, Part 3280 (anciennement Federal Standard for Mobile Home Construction and Safety, Title 24, HUD Part 280). Lorsque cette norme n'est pas applicable, l'installation doit satisfaire aux critères de la norme Standard for Manufactured Home Installations, ANSI A225.1/NFPA 501A ou aux dispositions des codes locaux.

Au Canada, l'installation de cette table de cuisson doit satisfaire aux stipulations de la version la plus récente de la norme CAN/CSA-A240 ou des codes locaux en vigueur.

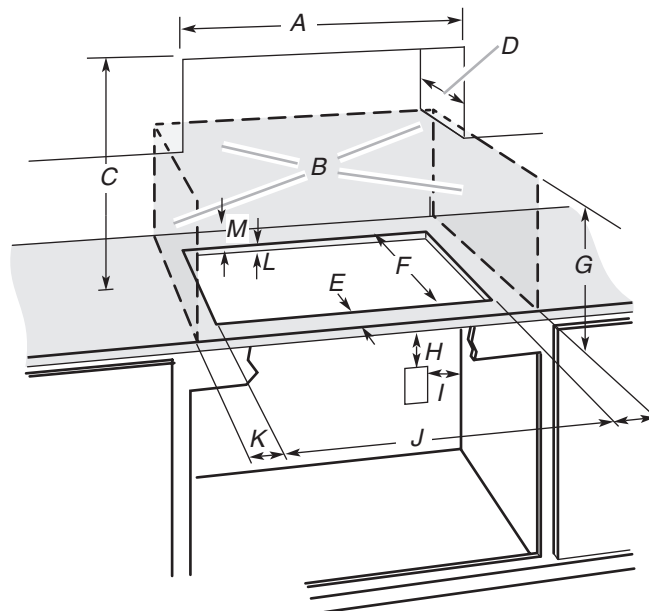
Dimensions du produit



- A. 21 ⁵/₁₆ po (54,1 cm)
- B. 16 ⁹/₁₆ po (42,1 cm)
- C. 2 ⁷/₈ po (7,3 cm)

Spécifications du placard

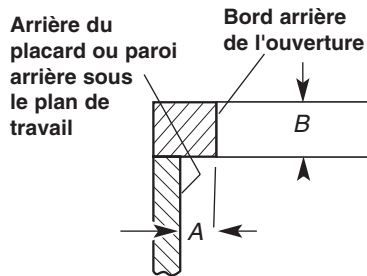
IMPORTANT : En cas d'installation d'une hotte ou d'un ensemble hotte/micro-ondes au-dessus de la cuisinière, suivre les instructions fournies avec la hotte ou l'ensemble hotte/microondes concernant les dimensions de dégagement à respecter au-dessus de la surface de la table de cuisson.



- A. 15 po (38,1 cm)
- B. Zone de matière combustible au-dessus du plan de travail (espace délimité par des lignes pointillées ci-dessus)
- C. Distance minimale de séparation de 30 po (76,2 cm) entre le dessus de la table de cuisson et le fond d'un placard métallique ou de bois non protégé (distance de séparation de 24 po [61 cm] ou plus si le fond du placard de métal ou de bois est protégé d'une plaque d'au moins 1/4 po (0,6 cm) de matériau résistant aux flammes, lui-même recouvert d'une feuille métallique d'une épaisseur correspondant à un calibre de 28 au moins pour l'acier, 0,015 po [0,04 cm] pour l'acier inoxydable, 0,024 po [0,06 cm] pour l'aluminium ou 0,020 po [0,05 cm] pour le cuivre)
- D. Profondeur recommandée pour les placards supérieurs : 13 po (33 cm)
- E. 2 po (5,1 cm)
- F. 20 ³/₈ po (51,8 cm)
- G. Distance de séparation minimale de 18 po (45,7 cm) entre le placard supérieur et le plan de travail avec distance minimale de séparation horizontale pour la table de cuisson
- H. Boîtier de connexion ou prise électrique; 12 po (30,5 cm) ou plus depuis le bas du plan de travail
- I. Boîtier de connexion ou prise électrique; 10 po (25,4 cm) depuis le côté droit du placard
- J. 14 ⁵/₈ po (37,2 cm)
- K. Distance de séparation minimale de 1 po (2,5 cm) par rapport à la surface de matériau combustible la plus proche, à gauche ou à droite au-dessus de la table de cuisson
- L. 1 ¹/₂ po (3,8 cm) maximum d'épaisseur du plan de travail. Voir l'illustration ci-dessous.
- M. Distance de séparation minimale de 1 po (2,5 cm) ou plus entre la paroi arrière et le plan de travail

REMARQUES : Dans certaines configurations d'installation, il peut s'avérer nécessaire, après le découpage de l'ouverture dans le plan de travail, d'entailler les parois latérales du placard inférieur pour le passage de la boîte des brûleurs. Pour éviter cette modification, utiliser un placard inférieur dont la largeur entre parois latérales est supérieure à celle de l'ouverture découpée.

Si le placard comporte un tiroir, on devra ménager un dégagement de 3 po (7,6 cm) ou plus entre le plan de travail et le dessus du tiroir (ou autre obstacle) dans le placard inférieur.



A. 11/16 po (1,7 cm) minimale
B. 1 1/2 po (3,8 cm) maximum

Spécifications électriques

AVERTISSEMENT



Risque de choc électrique

Déconnecter la source de courant électrique avant d'entreprendre le travail.

Utiliser du fil en cuivre de calibre 12.

Relier la table de cuisson à la terre.

Le non-respect de ces instructions peut causer un décès, un incendie ou un choc électrique.

Si l'on utilise un conducteur distinct de liaison à la terre lorsque les codes le permettent, il est recommandé qu'un électricien qualifié vérifie que la liaison à la terre et la section des fils sont conformes aux codes locaux.

En cas de doute quant à la qualité de la liaison à la terre du four, consulter un électricien qualifié.

S'assurer que la connexion électrique et le calibre des fils sont appropriés et conformes au National Electrical Code, à la norme ANSI/NFPA 70 – dernière édition, ou à la norme CSA C22.1-94, au Code canadien de l'électricité, Partie 1 et C22.2 N° O-M91 – dernière édition, et à tous les codes et règlements locaux.

Pour obtenir un exemplaire de la norme des codes ci-dessus, contacter :

National Fire Protection Association
1 Batterymarch Park
Quincy, MA 02169-7471

CSA International
8501 East Pleasant Valley Road
Cleveland, Ohio 44131-5575

Avant d'établir la connexion électrique :

Pour installer la table de cuisson correctement, il faut établir le type de raccords électriques que l'on utilisera et suivre les instructions indiquées ici.

- L'appareil doit être alimenté uniquement par un circuit monophasé de 240 V CA seulement, 60 Hz à 4 fils ou 3 fils, sur un circuit séparé de 20 ampères, protégé par fusible aux deux extrémités de la ligne. La plaque signalétique est située au fond de la boîte de brûleur, sous la table de cuisson.
- Les tables de cuisson avec câble à 3 conducteurs depuis la table de cuisson fonctionnent sur 240 V et ne comportent pas de conducteur neutre (blanc).
- Le modèle nécessite un circuit de 20 ampères.
- La table de cuisson doit être raccordée directement au boîtier de connexion par l'intermédiaire d'un câble flexible à conducteur de cuivre (avec blindage ou gaine non métallique). Le câble blindé flexible sortant du boîtier de distribution (fusible ou disjoncteur) doit être raccordé directement au boîtier de connexion.
- Placer le boîtier de connexion pour laisser le plus de jeu possible entre celui-ci et la table de cuisson pour pouvoir déplacer la table de cuisson en cas de besoin de réparation à l'avenir.
- Ne pas couper le conduit. La longueur du conduit fournie est destinée à faciliter le fonctionnement de la table de cuisson.
- Un connecteur de conduit homologué UL ou CSA doit être fourni à chaque extrémité du câble d'alimentation électrique (à la table de cuisson et au boîtier de connexion). Un connecteur de conduit homologué est déjà fourni à la table de cuisson.
- Si le domicile est équipé d'un câblage en aluminium, suivre les instructions suivantes :

Connecter le câblage en aluminium en utilisant des connecteurs ou des outils spécialement conçus et homologués UL pour raccorder le cuivre à l'aluminium.

Suivre la procédure recommandée par le fabricant de connecteurs électriques. La connexion aluminium/cuivre doit être conforme aux codes locaux et aux pratiques de câblage acceptées par l'industrie.

INSTRUCTIONS D'INSTALLATION

Préparation de la table de cuisson pour l'installation

AVERTISSEMENT

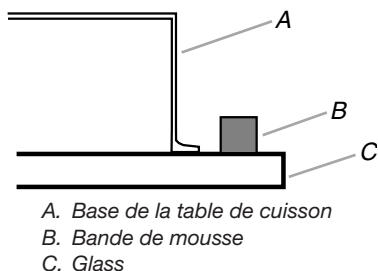
Risque du poids excessif

Utiliser deux ou plus de personnes pour déplacer et installer la table de cuisson.

Le non-respect de cette instruction peut causer une blessure au dos ou d'autre blessure.

1. Déterminer l'emplacement final de la table de cuisson.
2. À l'aide de deux personnes ou plus, placer la table de cuisson à l'envers sur une surface couverte. Nettoyer le long de la surface extérieure de la table de cuisson, à l'endroit où la bande de mousse doit être appliquée.
3. Enlever la bande de mousse du sachet de documentation. Retirer l'endos de la mousse. Appliquer le côté adhésif de la bande de mousse autour du dessous de la table de cuisson, en affleurement avec le rebord.

REMARQUE : La bande de mousse protège la face inférieure du verre de la table de cuisson de tout résidu et permet à la table de cuisson de reposer à plat sur des plans de travail irréguliers.



A. Base de la table de cuisson
B. Bande de mousse
C. Glass

Installation de la table de cuisson

Style 1 : Table de cuisson sur four encastré sous comptoir

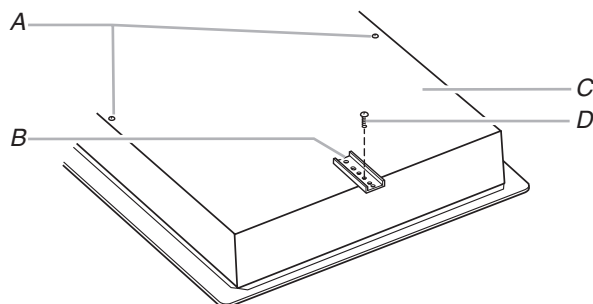
IMPORTANT : Ne pas utiliser de brides de fixation.

1. En employant au moins deux personnes, mettre la table de cuisson à l'endroit.
2. Placer la table de cuisson dans l'ouverture.

REMARQUE : S'assurer que le bord avant de la table de cuisson est parallèle au bord avant du plan de travail. S'il est nécessaire de repositionner la table de cuisson, la soulever entièrement de l'ouverture pour éviter de rayer le plan de travail.

Style 2 : Table de cuisson sur placards

1. Déterminer si l'installation des placards permet le dégagement nécessaire pour l'installation de brides de fixation aux extrémités de la base de la table de cuisson. Il s'agit de l'emplacement recommandé. Des brides de fixation peuvent être installées à l'avant et à l'arrière de la partie inférieure de la base de la table de cuisson, si nécessaire.



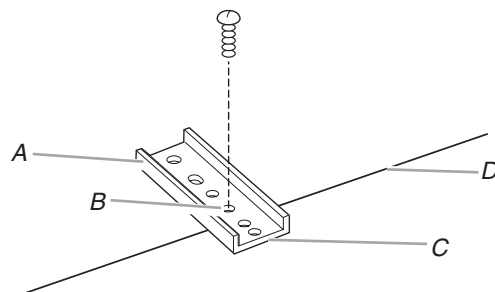
A. Trous de vis d'attache pour emplacement facultatif à l'avant et à l'arrière
B. Bride de fixation (emplacements aux extrémités recommandés)
C. Partie inférieure de la base de la table de cuisson
D. Vis d'attache

2. Les brides de fixation peuvent être installées avant ou après le positionnement de la table de cuisson dans l'ouverture. Procéder aux étapes suivantes selon l'option choisie.

Installation des brides avant de positionner la table de cuisson dans l'ouverture

1. Enlever les vis d'attache pour les emplacements de brides sélectionnés de la partie inférieure de la base de la table de cuisson.

Sélectionner les trous de montage de la bride qui permettront à la bride de dépasser suffisamment de la table de cuisson pour l'installation des vis de fixation de 2 1/2 po (6,4 cm). Voir la section "Fixation de la table de cuisson au plan de travail" pour obtenir une illustration de l'installation de la vis de fixation.



A. Bride de fixation
B. Emplacement recommandé de la vis de fixation
C. Emplacement de la vis de fixation
D. Partie inférieure de la base du bord de la table de cuisson

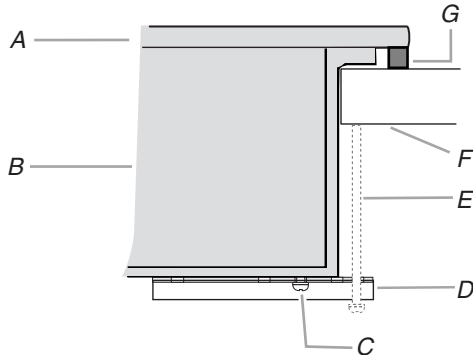
2. Fixer les brides à la partie inférieure de la base de la table de cuisson à l'aide des vis d'attache de bride en utilisant les trous de montage de bride sélectionnés à l'étape 2.
3. Faire tourner les brides de façon à ce qu'elles ne dépassent pas du bord de la base de la table de cuisson.
4. Serrer les vis juste assez pour maintenir les brides en place lorsque la table de cuisson est positionnée dans l'ouverture.
5. Tourner la table de cuisson, côté droit vers le haut, et la positionner dans l'ouverture.

REMARQUE : S'assurer que le bord avant de la table de cuisson est parallèle au bord avant du plan de travail. S'il est nécessaire de repositionner la table de cuisson, la soulever entièrement de l'ouverture pour éviter de rayer le plan de travail.

6. Desserrer les vis et faire tourner les brides pour qu'elles soient perpendiculaires au bord de la base de la table de cuisson et qu'elles dépassent de son bord. Bien serrer les vis.

Installation des brides après avoir positionné la table de cuisson dans l'ouverture.

1. À l'aide d'au moins deux personnes, placer la table de cuisson dans l'encastrement.
REMARQUE : S'assurer que le bord avant de la table de cuisson est parallèle au bord avant du plan de travail. S'il est nécessaire de repositionner la table de cuisson, la soulever entièrement de l'ouverture pour éviter de rayer le plan de travail.
2. Enlever les vis d'attache pour les emplacements de brides sélectionnés de la partie inférieure de la base de la table de cuisson.
3. Sélectionner les trous de montage de la bride qui permettront à la bride de dépasser suffisamment de la table de cuisson pour l'installation des vis de fixation de 2 1/2 po (6,4 cm).



- A. Table de cuisson en verre
B. Base de la table de cuisson
C. Vis d'attache
D. Bride de fixation (dépassant suffisamment de la base de la table de cuisson pour permettre l'installation des vis de fixation)
E. Vis de fixation de 2 1/2 po (6,4 cm) (à installer à la section "Fixation de la table de cuisson au plan de travail")
F. Plan de travail
G. Joint en mousse

4. Fixer les brides à la partie inférieure de la base de la table de cuisson à l'aide des vis d'attache de bride en utilisant les trous de montage de bride sélectionnés à l'étape 3. Bien serrer les vis.

Raccordement électrique

⚠ AVERTISSEMENT



Risque de choc électrique

Déconnecter la source de courant électrique avant d'entreprendre le travail.

Utiliser du fil en cuivre de calibre 12.

Relier la table de cuisson à la terre.

Le non-respect de ces instructions peut causer un décès, un incendie ou un choc électrique.

Un conducteur vert ou nu de liaison à la terre est connecté au châssis de la table de cuisson lors de la fabrication. Raccorder le câble de la table de cuisson au boîtier de connexion à l'aide du connecteur de conduit homologué UL ou CSA.

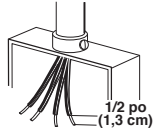
1. Déconnecter la source de courant électrique.
2. Enlever le couvercle du boîtier de connexion, le cas échéant.
3. Avec le connecteur de conduit (homologation UL ou CSA), connecter le conduit de câble flexible de la table de cuisson au boîtier de connexion.
4. Serrer les vis du connecteur de conduit, le cas échéant.
5. Voir "Tableau des options de raccordement électrique" pour terminer l'installation correspondant à votre type de raccordement électrique.

Tableau des options de raccordement électrique

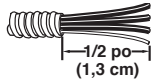
Pour les tables de cuisson avec câble à 4 conducteurs :

Si le domicile comporte :	Si votre table de cuisson comporte :	Voir la section suivante :
---------------------------	--------------------------------------	----------------------------

4 conducteurs

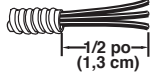


4 conducteurs



Câble à 4 conducteurs depuis le point de distribution du domicile avec câble à 4 conducteurs depuis la table de cuisson

3 conducteurs

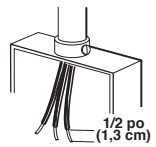


Câble à 4 conducteurs depuis le point de distribution du domicile avec câble à 3 conducteurs depuis la table de cuisson

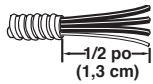
Pour les tables de cuisson avec câble à 3 conducteurs :

Si le domicile comporte :	Si votre table de cuisson comporte :	Voir la section suivante :
---------------------------	--------------------------------------	----------------------------

3 conducteurs

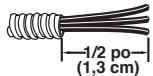


4 conducteurs



Câble à 3 conducteurs depuis le point de distribution du domicile avec câble à 4 conducteurs depuis la table de cuisson

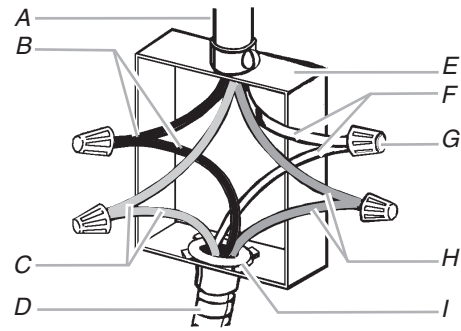
3 conducteurs



Câble à 3 conducteurs depuis le point de distribution du domicile avec câble à 3 conducteurs depuis la table de cuisson

Câble à 4 conducteurs depuis le point de distribution du domicile avec câble à 4 conducteurs depuis la table de cuisson

IMPORTANT : Utiliser le câble à 4 conducteurs provenant du point de distribution du domicile aux États-Unis lorsque les codes ne permettent pas la mise à la terre par l'intermédiaire du conducteur neutre, en cas de nouvelle installation avec alimentation par un circuit secondaire (1996 NEC), dans les résidences mobiles et les véhicules récréatifs, dans les nouvelles constructions, et au Canada.

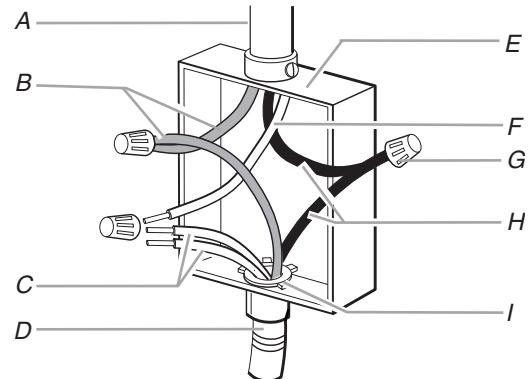


- A. Câble d'alimentation électrique
- B. Conducteurs noirs
- C. Conducteurs verts ou nus
- D. Câble à 4 conducteurs depuis la table de cuisson
- E. Boîtier de connexion
- F. Connecteurs blancs (homologation UL)
- G. Connecteur de fils (homologation UL)
- H. Conducteurs rouges
- I. Connecteur de conduit (homologation UL ou CSA)

1. Connecter ensemble les 2 conducteurs noirs avec les connecteurs de fils (homologation UL).
2. Connecter ensemble les 2 conducteurs rouges avec les connecteurs de fils (homologation UL).
3. Connecter ensemble les 2 conducteurs blancs avec les connecteurs de fils (homologation UL).
4. Connecter le conducteur vert ou nu de liaison à la terre du câble de la table de cuisson avec le conducteur vert ou nu de liaison à la terre (dans le boîtier de connexion) avec les connecteurs de fils (homologation UL).
5. Installer le couvercle du boîtier de connexion.

Câble à 3 conducteurs depuis le point de distribution du domicile avec câble à 4 conducteurs depuis la table de cuisson – É.-U. seulement

IMPORTANT : Utiliser le câble à 3 conducteurs depuis le point de distribution lorsque les codes locaux en vigueur permettent le raccordement entre le conducteur de liaison à la terre du châssis et le conducteur neutre (blanc) du boîtier de connexion.



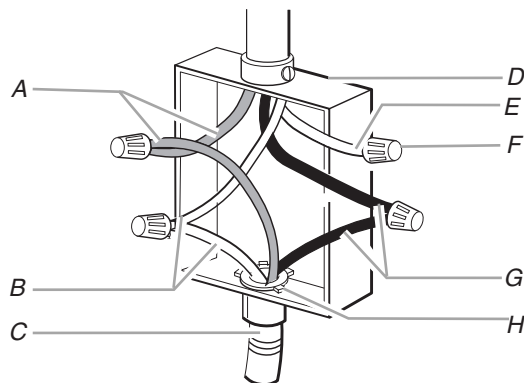
- A. Câble d'alimentation électrique
- B. Conducteurs rouges
- C. Conducteurs verts ou nus
- D. Câble à 4 conducteurs depuis la table de cuisson
- E. Boîtier de connexion
- F. Conducteur blanc (homologation UL)
- G. Connecteur de fils (homologation UL)
- H. Conducteurs noirs
- I. Connecteur de conduit (homologation UL ou CSA)

1. Connecter ensemble les 2 conducteurs noirs avec les connecteurs de fils (homologation UL).
2. Connecter ensemble les 2 conducteurs rouges avec les connecteurs de fils (homologation UL).

3. Connecter le conducteur vert ou nu et le conducteur blanc de la table de cuisson au conducteur blanc (neutre) dans le boîtier de connexion avec les connecteurs de fils (homologation UL).
4. Installer le couvercle du boîtier de connexion.

Câble à 4 conducteurs depuis le point de distribution du domicile avec câble à 3 conducteurs depuis la table de cuisson

IMPORTANT : Utiliser le câble à 4 conducteurs provenant du point de distribution du domicile aux États-Unis lorsque les codes ne permettent pas la mise à la terre par l'intermédiaire du conducteur neutre, en cas de nouvelle installation avec alimentation par un circuit secondaire (1996 NEC), dans les résidences mobiles et les véhicules récréatifs, dans les nouvelles constructions, et au Canada.



- | | |
|---|---|
| A. Conducteurs rouges | E. Conducteur blanc (depuis le point de distribution) |
| B. Conducteur vert (ou nu) de liaison à la terre (depuis la table de cuisson) | F. Connecteur de fil (homologation UL) |
| C. Câble à 3 conducteurs depuis la table de cuisson | G. Conducteurs noirs |
| D. Boîtier de connexion | H. Connecteur de conduit (homologation UL ou CSA) |

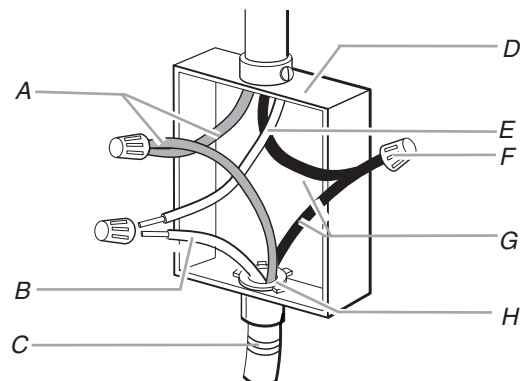
1. Connecter ensemble les 2 conducteurs noirs avec les connecteurs de fils (homologation UL).
2. Connecter ensemble les 2 conducteurs rouges avec les connecteurs de fils (homologation UL).
3. Connecter le conducteur vert ou nu de liaison à la terre du câble de la table de cuisson avec le conducteur vert ou nu de liaison à la terre (dans le boîtier de connexion) avec les connecteurs de fils (homologation UL).
4. Placer un connecteur de fils (homologation UL) à l'extrémité du conducteur blanc.

REMARQUE : Ne pas connecter le conducteur nu de liaison à la terre au conducteur neutre (blanc) dans le boîtier de connexion.

5. Installer le couvercle du boîtier de connexion.

Câble à 3 conducteurs depuis le point de distribution du domicile avec câble à 3 conducteurs depuis la table de cuisson – É.-U. seulement

IMPORTANT : Utiliser le câble à 3 conducteurs depuis le point de distribution lorsque les codes locaux en vigueur permettent le raccordement entre le conducteur de liaison à la terre du châssis et le conducteur neutre (blanc) du boîtier de connexion.

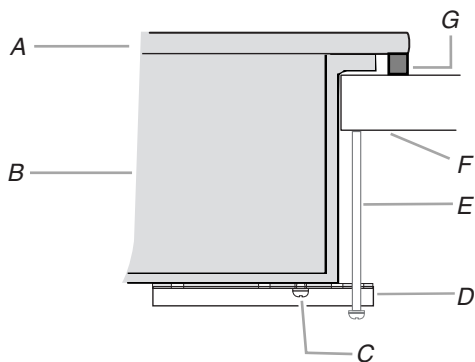


- | | |
|---|---|
| A. Conducteurs rouges | E. Conducteur blanc (depuis le point de distribution) |
| B. Câble vert ou nu depuis la table de cuisson | F. Connecteur de fil (homologation UL) |
| C. Câble à 3 conducteurs (depuis la table de cuisson) | G. Conducteur noir |
| D. Boîtier de connexion | H. Connecteur de conduit (homologation UL ou CSA) |

1. Connecter ensemble les 2 conducteurs noirs avec les connecteurs de fils (homologation UL).
2. Connecter ensemble les 2 conducteurs rouges avec les connecteurs de fils (homologation UL).
3. Connecter le conducteur vert ou nu de la table de cuisson au conducteur blanc (neutre) dans le boîtier de connexion avec les connecteurs de fils (homologation UL).
4. Installer le couvercle du boîtier de connexion.

Fixation de la table de cuisson au plan de travail

REMARQUE : Cette section s'applique uniquement en cas d'utilisation de brides de fixation.



- A. Table de cuisson en verre
- B. Base de la table de cuisson
- C. Vis d'attache
- D. Bride de fixation (dépassant suffisamment de la base de la table de cuisson pour permettre l'installation des vis de fixation)
- E. Vis de fixation de 2 1/2 po (6,4 cm)
- F. Plan de travail
- G. Bande de mousse

1. Placer les vis de fixation de 2 1/2 po (6,4 cm) dans les brides.
2. Vérifier que la table de cuisson est toujours d'aplomb.
3. À l'aide d'un tournevis à lame plate, serrer les vis sur le plan de travail. Ne pas serrer excessivement.

Achever l'installation

1. Vérifier que toutes les pièces sont maintenant installées. S'il reste une pièce, passer en revue les différentes étapes pour découvrir laquelle aurait été oubliée.
2. Vérifier la présence de tous les outils.
3. Éliminer/recycler tous les matériaux d'emballage.
4. Avant d'utiliser la table de cuisson, utiliser une solution douce de nettoyant domestique et d'eau tiède pour la nettoyer. Sécher parfaitement avec un linge doux. Pour plus de renseignements, voir la section "Entretien de la table de cuisson" du Guide d'utilisation et d'entretien.
5. Lire la section "Utilisation de la table de cuisson" dans le Guide d'utilisation et d'entretien de la table de cuisson.
6. Reconnecter la source de courant électrique.

REMARQUE : Si la table de cuisson ne fonctionne pas après la mise sous tension, vérifier que le disjoncteur ne s'est pas déclenché ou que les fusibles ne sont pas grillés. Voir la section "Dépannage" dans le Guide d'utilisation et d'entretien pour plus de renseignements.

Si vous avez besoin d'assistance ou de service :

Consulter la section "Assistance ou service" du Guide d'utilisation et d'entretien ou contacter le marchand auprès duquel la table de cuisson a été achetée.