



## 5 SERIES WALL HOODS – 12” HIGH

Viking 5 Series – VWH

### APPEARANCE AND DESIGN

- Backlit LED knobs extend and illuminate to control lighting level and fan speed, then fully retract when not in use
- Seamless design provides a refined finish to your kitchen
- Recommended for use with 30” wide ranges, rangetops, and cooktops, and 36”W. non-griddle ranges, rangetop, and cooktops. For larger equipment, use 18” high wall hood
- Optional recirculating kit accessory for ventless ducting sold separately



### QUIET AND EFFICIENT VENTILATORS

- 460 CFM interior-power ventilator comes standard with product and quietly delivers powerful smoke and odor removal
- Multi-speed ventilator control knob allows precise adjustment to desired fan speed
- Maintenance-free ventilators never need to be cleaned with the commercial-type hood filters doing the dirty work
- Cook with peace of mind as the built-in heat sensor activates the ventilator to full power if cooking temperatures reach uncomfortable levels

### BRIGHT LED LIGHTING

- Dimmable lighting controls provide custom illumination for enhanced surface cooking visibility
- Long-life LED light bulbs are energy efficient and easily replaceable

### EASY MAINTENANCE AND CLEANUP

- Commercial-type baffle filters efficiently remove heat and grease vapors from the air
- Stainless steel dishwasher-safe filters are easily removed for quick cleaning
- Low-profile filter system reduces interior hood space, leaving less surface to clean

### MODEL NUMBERS

- VWH53012 – 12” H./ 30”W. Wall Hood
- VWH53612 – 12” H./ 36”W. Wall Hood

### ACCESSORIES

- VRK30SS – Recirculating Hood Conversion Kit for 30” Hood
- VRK36SS – Recirculating Hood Conversion Kit for 36” Hood
- CFV13 – Replacement Charcoal Filter for VRK
- WGP30SS – Wall Hood Warming Shelf Panels for 30” Hood
- WGP36SS – Wall Hood Warming Shelf Panels for 36” Hood
- BKS30SS – Wall Hood Backsplash for 30” Hood
- BKS36SS – Wall Hood Backsplash for 36” Hood
- DCW30SS – Wall Hood Duct Cover for 30” Hood
- DCW36SS – Wall Hood Duct Cover for 36” Hood

### COLOR FINISHES

- Stainless Steel (SS), Black (BK), and White (WH)
- Available in 14 exclusive color finishes Alluvial Blue (AB), Arctic Gray (AG), Black Forest Green (BF), Bywater Blue (BW), Cast Black (CS), Cypress Green (CY), Damascus Gray (DG), Frost White, (FW) Kalamata Red (KA), Pacific Gray (PG), Reduction Red (RE), Slate Blue (SB), San Marzano Red (SM), Vanilla Cream (VC)



### WARRANTY

- 2-year full – complete product
- 90-day full – cosmetic parts such as glass, painted items and decorative items
- 5-year limited – ventilator motors



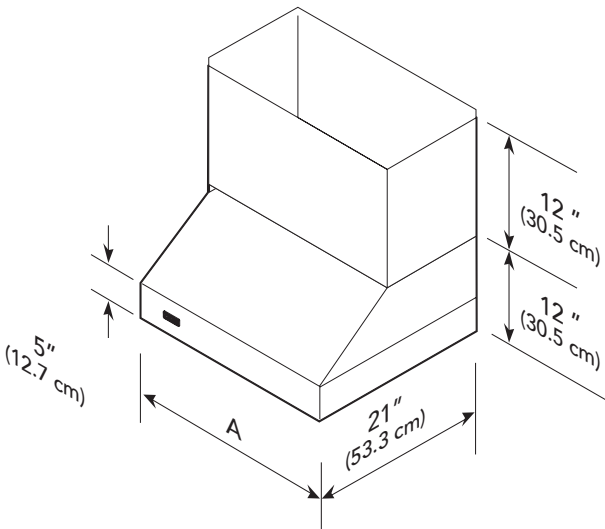
# 5 SERIES WALL HOODS – 12” HIGH

Viking 5 Series – VWH

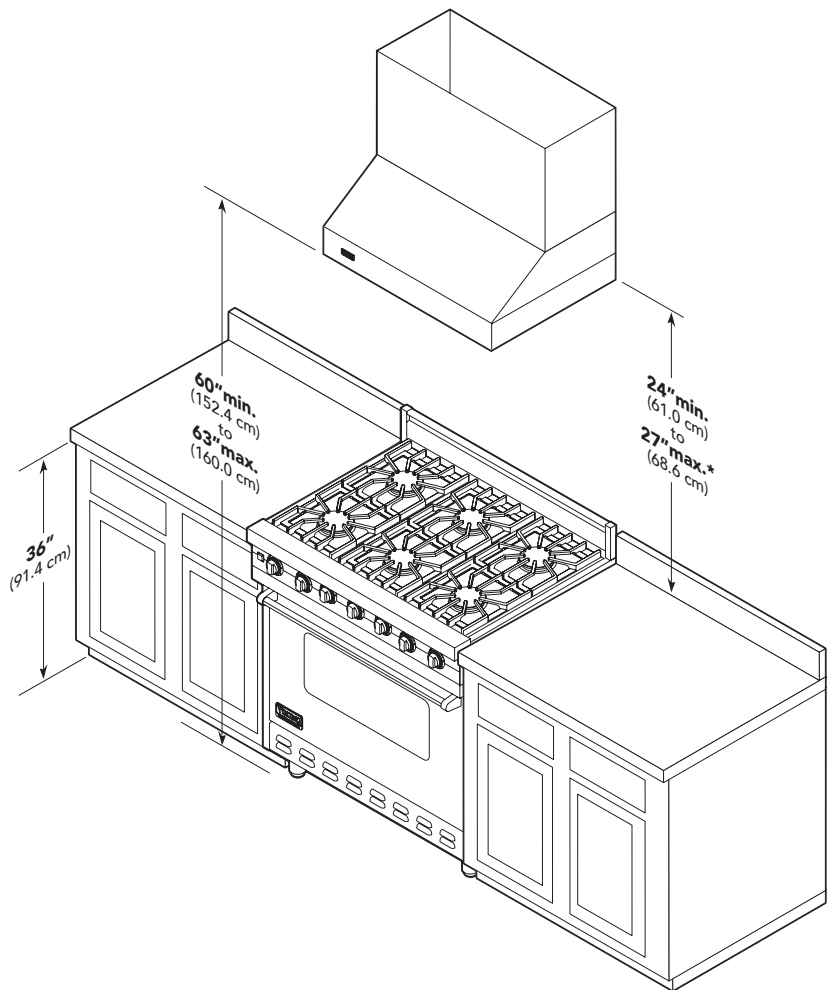
12" WALL HOODS WITH VENTILATOR		
DESCRIPTION	VWH53012	VWH53612
Overall Width	29-7/8" (75.9 cm)	35-7/8" (91.1 cm)
Overall Height	12" (30.5 cm)	
Overall Depth	21" (53.3 cm)	
Interior ventilator kit	460 CFM Standard	
Interior duct size**	7" (17.8 cm)	
Interior - Maximum amps	4.9	
Approximate Shipping Weight	56 lbs. (25.2 kg)	60 lbs. (27 kg)

Please do not prepare installation from brochure data only. See installation instructions for important clearance/installation information.

\*\* Disregard when using recirculating kits. 460 CFM blower is shipped with hood. Maximum duct run is 50 ft.



	A (Hood width)
30"W.	29-7/8" (76.2 cm)
36"W	35-7/8" (91.1 cm)



VIKING RANGE, LLC 111 FRONT STREET GREENWOOD, MISSISSIPPI 38930 USA

For detailed product information, model numbers, or to request a quote call 1-888-845-4641 or visit [vikingrange.com](http://vikingrange.com)

© 2020 Viking Range, LLC All rights reserved. Specifications subject to change without notice.