

VW36S

FEATURES

Breathe cleaner air and enjoy less greasy residue in your kitchen

Ventilate with a professional, low-profile look

Adjust as needed with recessed controls that provide a sleeker look, yet maintain ultimate blower control

Matches the same heavy-duty stainless-steel construction, hand-finished hemmed edges, and welded seams of all Sub-Zero, Wolf, and Cove products

Select from internal, in-line, or remote blower options (blower required)

Lights your workspace with two LED light bars with two brightness settings

Reach ceiling heights with its telescoping chimney

Minimizes the backward flow of cold air with backdraft transition

ACCESSORIES

801634-36" x 30" Cooktop Ventilation Stainless Steel Backsplash

Flue Extension

Recirculating Filter

Recirculating Kit

Remote Control

Inline Blowers

Internal Blowers

Remote Blowers

Accessories available through an authorized dealer.
For local dealer information, visit subzero-wolf.com/locator.



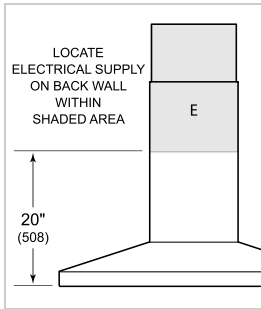
BLOWER OPTIONS

- 300 CFM Internal
- 600 CFM Internal
- 600 CFM Inline
- 600 CFM Remote

PRODUCT SPECIFICATIONS

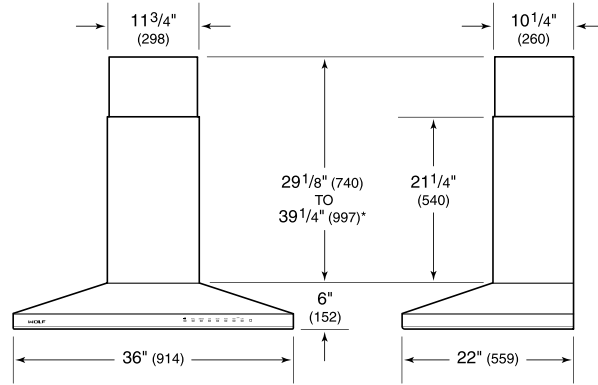
| | |
|------------------------------|--------------------------|
| Model | VW36S |
| Dimensions | 36"W x 6"H x 22"D |
| Weight | 100 lbs |
| Electrical Supply | 110/120 VAC, 60 Hz |
| Electrical Service | 15 amp dedicated circuit |
| Discharge Location | Vertical |
| Discharge Dimensions | 6" Round |
| Bottom of Hood to Countertop | 24" to 36" |

ELECTRICAL



NOTE: Dimensions in parenthesis are in millimeters unless otherwise specified

DIMENSIONS



*49 1/8" (1248) to 59 1/4" (1505) with accessory flue extension.