



## 30" AND 36"W. FREESTANDING OUTDOOR GAS GRILLS

Viking 5 Series – VQGFS

### COMMERCIAL-TYPE COOKING POWER AND FEATURES

- Large grilling surface
  - 30"W. Model - 840-sq.-in. cooking surface (600 primary, 240 secondary)
  - 36"W. Model - 935 sq. in. cooking surface (640 primary, 295 secondary)
- 25,000 BTU Cast brass burners
  - 30" W. Model – 1 burner
  - 36"W./42"W. Models – 2 burners
- 23,000 BTU ProSear Burner
- Dual-position rotisserie with heavy-duty, 3-speed motor and rear infrared burner (14,000 BTU)
- Control illumination with blue LEDs
- Hot surface ignition system
- Dual halogen grill surface lights
- Temperature gauge
- Premium smoker box included
- Stainless steel grilling grates
- Ceramic Briquettes facilitate even radiant heat distribution



30" WIDE GAS GRILL



36" WIDE GAS GRILL

### EASY MAINTENANCE AND CLEANUP

- Full-width, pull-out drip tray
- Stainless steel rollers allow drip tray to pull out easily and remain level when fully extended
- Heavy-duty welded construction eliminates gaps where grease and moisture can collect
- Heavy-duty casters with brakes for easy mobility

### MODEL NUMBERS

- VQGFS5301SS\* – 30" W. Outdoor Gas Grill
- VQGFS5361SS\* – 36" W. Outdoor Gas Grill
- Also available in 42" and 54"W. models

\*Specify natural (N) or LP/propane (L) gas

### ACCESSORIES

- CQ530C – Carbon Fiber Grill Cover for 30" Grill
- CQ536C – Carbon Fiber Grill Cover for 36" Grill

### COLOR FINISHES

- Available in Stainless Steel (SS)



### WARRANTY

- 1-year full – complete product
- 90-day full – cosmetic parts such as glass, painted items and decorative items
- 5-year limited – stainless steel burner assembly, ceramic pro sear burner, electric warming drawer element, grill grate, side/power burner grate, or briquette tray



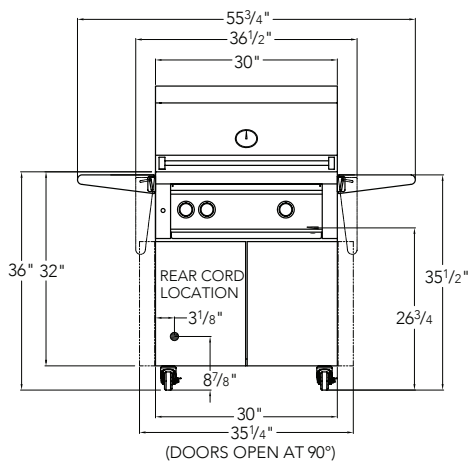
# 30" AND 36"W. FREESTANDING OUTDOOR GAS GRILLS

Viking 5 Series – VQGFS

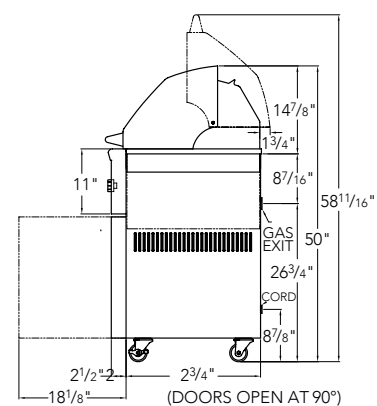
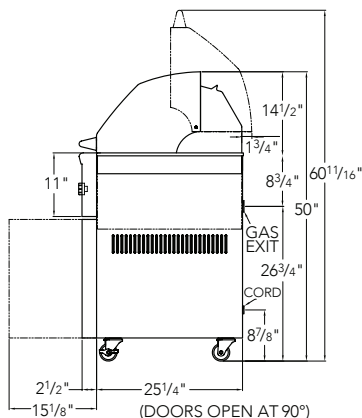
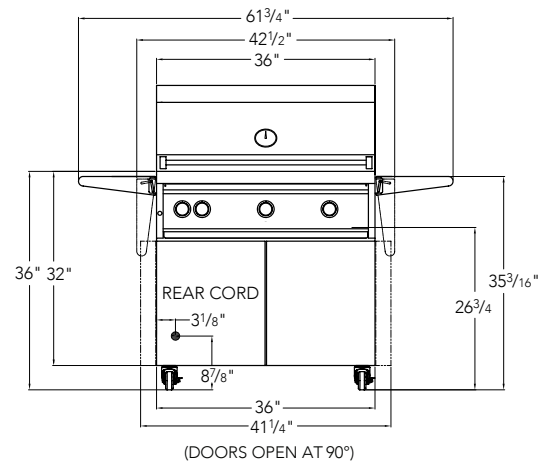
GAS GRILLS		
DESCRIPTION	VQGFS5301(N/L)SS	VQGFS5361(N/L)SS
Gas Requirements	Natural: standard residential 3/4" (1.9 cm) ID gas service line. LP/Propane: Equipped with high-capacity hose/regulator assembly for connection to standard 5 gal., 20 lb. LP/Propane gas cylinder with a Tybe 1, QCC-1 connector or standard residential 3/4" (1.9 cm) ID gas service line.	
Electrical Requirements	120VAC/60Hz – 6' (182.9 cm) power supply cord with 3-prong grounded plug	
Maximum Amp Usage	1.5 amps	
Grill Burner Rating	1 H Burner - 25,000 BTU 1 ProSear burner - 23,000 BTU	2 H Burners - 25,000 BTU each 1 ProSear Burner - 23,000 BTU
Rotisserie Burner Rating	14,000 BTU	
Approximate Shipping Weight	362 lbs. (164.2 kg)	414 lbs. (187.8 kg)

Please do not prepare installation from brochure data only. See installation instructions for important clearance/installation information.

## 30"W. GAS GRILL



## 36"W. GAS GRILL



VIKING RANGE, LLC 111 FRONT STREET GREENWOOD, MISSISSIPPI 38930 USA

For detailed product information, model numbers, or to request a quote call 1-888-845-4641 or visit [vikingrange.com](http://vikingrange.com)  
 © 2023 Viking Range, LLC All rights reserved. Specifications subject to change without notice.

