



## 5 SERIES 30" AND 42" W. OUTDOOR WARMING DRAWERS

Viking 5 Series – VQEWD

### COMMERCIAL FEATURES

- Temperature settings from 90° to 220°F accommodate all types of food
- Low setting is ideal for plate warming or bread proofing
- High setting keeps soups and sauces piping hot
- Versatile moisture-selector control regulates amount of moisture released from drawer
  - Adjustments can be made without opening the drawer and affecting the interior temperature and humidity – open vent to keep foods crisp; close vent to keep foods moist
- Shipped with two removable steam pans, lids and steam racks
- Power “on” indicator light cycles on and off with heating element
- Concealed heating element allows drawer to safely heat towels or robes



VQEWD5301

### ▪ 42"W. CONVENIENCE CENTER WITH 30"W. WARMING DRAWER ADDITIONAL FEATURES

- Warming Drawer, LP tank storage cabinet and utility drawer in one unit
- Sliding LP tank tray for safe and easy LP tank access
- Full-width and depth utility drawer accommodates grill tools, towels and condiments



VQEWD5421

### MODEL NUMBERS

- VQEWD5301 – 30"W. Outdoor Warming Drawer
- VQEWD5421 – 42"W. Outdoor Convenience Center with 30"W. Warming Drawer

### ACCESSORIES

- PANVEWD – Pan/lid set – five heavygauge stainless steel commercial pans with lids
  - Two 2-1/2"D. x 12"L. x 7"W. pans
  - Two 4"D. x 12"L. x 7"W. pans
  - One 4"D. x 12"L. x 10-1/2"W. pan

### COLOR FINISHES

- Available in Stainless Steel (SS)



### WARRANTY

- 1-year full – complete product
- 90-day full – cosmetic parts such as glass, painted items and decorative items
- 5-year limited – heating elements



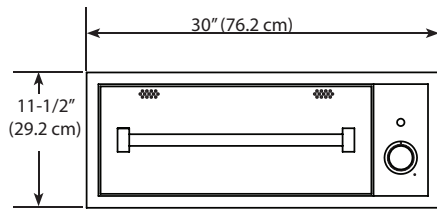
# 5 SERIES 30" AND 42" W. OUTDOOR WARMING DRAWERS

Viking 5 Series – VQEWD

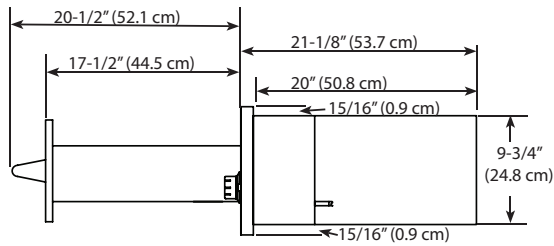
WARMING DRAWER		
DESCRIPTION	VQEWD5301	VDEWD5421
Overall Width	30" (76 cm)	41-3/4" (106 cm)
Overall Height	11-1/2" (29.3 cm)	21" (53.3 cm)
Overall Depth	21-1/8" (53.7 cm)	26-3/16" (66.5 cm)
Cutout Width	28-1/2" (72.4 cm)	40-1/4" (102.2 cm)
Cutout Height	10" (25.4 cm)	19-3/8" (49.2 cm)
Cutout Depth	20-1/2" (52.1 cm)	24-1/2" (62.2 cm)
Electrical Requirements	120 VAC/60Hz 150 amp dedicated to GFI Outlet	
Maximum Amp Usage	4.0 – 480 watts	
Approximate Shipping Weight	75 lb. (34 kg)	215 lb. (97.5 kg)

Please do not prepare installation from brochure data only. See installation instructions for important clearance/installation information.

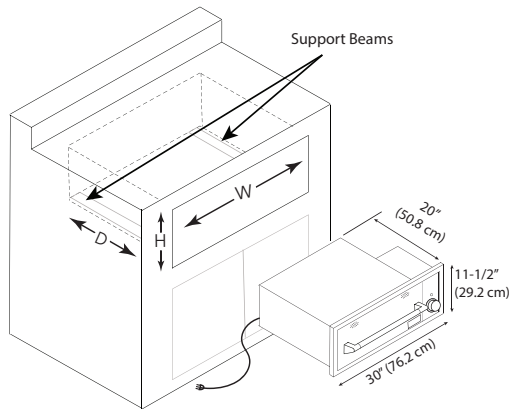
## 30"W.



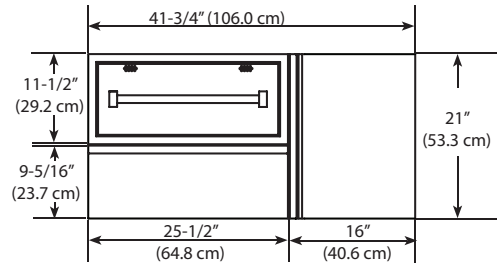
FRONT VIEW



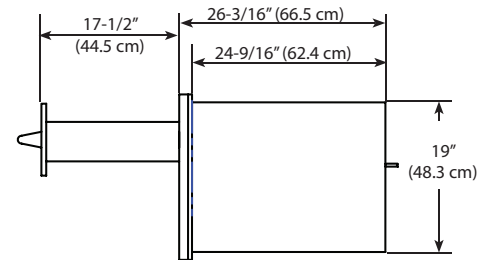
SIDE VIEW



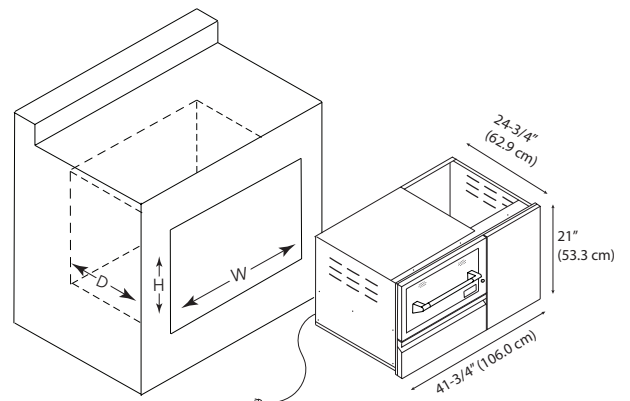
## 42"W.



FRONT VIEW



SIDE VIEW



VIKING RANGE, LLC 111 FRONT STREET GREENWOOD, MISSISSIPPI 38930 USA

For detailed product information, model numbers, or to request a quote call 1-888-845-4641 or visit [vikingrange.com](http://vikingrange.com)  
 © 2023 Viking Range, LLC All rights reserved. Specifications subject to change without notice.

