



UNDERCOUNTER CONVECTION DRAWERMICRO™ OVEN

Viking 5 Series – VMODC

PROFESSIONAL FEATURES

- Convection Oven Features
 - Dual convection fans for baking, roasting, grilling and air frying
 - Air Fry, Toast and Warm cooking modes
 - Speed cook modes combine convection and microwave heating
- Microwave Oven Features
 - 11 variable power levels
 - Six auto defrost settings
 - Instant sensor settings for cooking, reheating foods and popping popcorn
 - Beverage re-heat feature warms coffee and tea to suitable drinking temperature
 - Melt/soften/warm settings automatically select the correct time and power for each function
 - Add-30-Sec function adds thirty seconds of extra cooking time with the touch of a button
 - Turntable-free microwaving
- Multi-level cooking with three included cooking accessories – top rack, bottom rack, and cook/drip tray
- Opens and closes with a touch of a button
- Glass touch control panel
- Stainless steel interior
- Auto start feature allows oven to begin cooking at preset time of day
- Multi-sequence programmed cooking accepts up to four automatic cooking sequences
- Child Lock safety feature locks the control panel to prevent unwanted operation



INSTALLATION OPTION

- Flexible placement options below an island, peninsula, or standard cabinetry and can also be installed adjacent to a built-in oven
- Built-in airflow control allows flush mounting

MODEL NUMBERS

- VMODC5240SS – 24" Wide Convection DrawerMicro Oven

FUNCTIONAL OVEN CAVITY

- 1.4 cubic ft. (39.6 liters) oven capacity
 - 16-15/16"W. x 8-3/4"H. x 16-7/16"D.
- Accommodates two 9x13" casserole dishes
- Tall enough to hold 20 ounce coffee cup
- 900 watts of output power
- Perfect oven application for high-end small footprint kitchens, RVs and yachts
- Interior light

COLOR FINISHES

- Available in Stainless Steel (SS)



WARRANTY

- 2-year full – complete product
- 90-day full – cosmetic parts such as glass, painted items and decorative items
- 5-year limited – magnetron tube



UNDERCOUNTER CONVECTION DRAWERMICRO™ OVEN

Viking 5 Series – VMODC

24" W. DRAWERMICRO™ OVEN	
DESCRIPTION	VMODC5240
Overall Width	23-9/16" (59.8 cm)
Overall Height from Bottom	19-11/16" (50 cm)
Overall Depth from Rear	22-3/8" (56.8 cm)
Cutout Width	22-3/8" (56.8 cm)
Cutout Height	19-9/16" (49.6cm)
Cutout Depth	23-1/2" (59.6 cm)
Electrical Requirements	120VAC/60Hz
Maximum Amp Usage	1.67 kW, 14.5 amps
Oven Interior Dimensions	Width – 16-15/16" (43 cm) Height – 8-3/4" (22.2 cm) Depth – 16-7/16" (41.8 cm) Overall Size – 1.4 cu. ft.
Approximate Shipping Weight	86 lb. (39.0 kg)

Please do not prepare installation from brochure data only. See installation instructions for important clearance/installation information.
Note: The clearance of the space between a built-in oven and the DrawerMicro must be a minimum of 2".

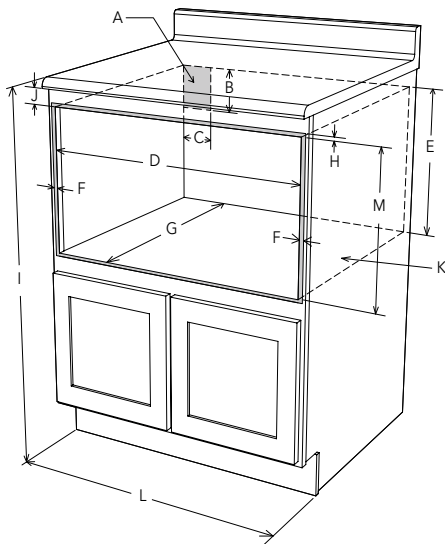


Figure 1

- A. Suggested electrical outlet location*
- B. 5" (127 mm)
- C. 4" (101.60 mm)
- D. 22 3/8" (568.32 mm) opening
- E. 19 7/16" (493.71 mm)
- F. Allow 5/8" (15.87 mm) overlap
- G. 23 1/2" (596.90 mm) minimum depth
- H. Allow 1/8" (3.17 mm) overlap
- I. 36" (914.40 mm)
- J. Allow 1/2" (12.7 mm) minimum space
- K. Floor must support 125 lb (56.7 kg)
- L. 24" (609.60 mm) cabinet minimum
- M. 19 9/16" (496.89 mm) opening

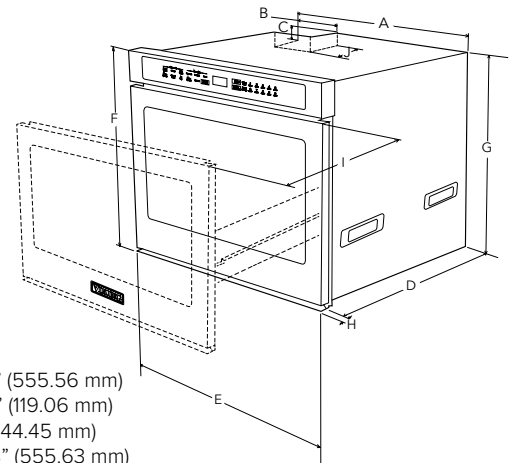
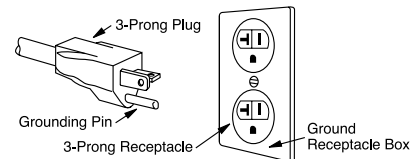


Figure 2

- A. 21 7/8" (555.56 mm)
- B. 4 11/16" (119.06 mm)
- C. 1 3/4" (44.45 mm)
- D. 20 7/8" (555.63 mm)
- E. 23 9/16" (598.48 mm)
- F. 19 11/16" (500.06 mm)
- G. 19 5/16" (490.54 mm)
- H. 1 1/2" (38.10 mm) door thickness
- I. 15 1/2" (393.7 mm) auto drawer opening
- J. 4" (101.60 mm)

Permanent and Correct Installation



VIKING RANGE, LLC 111 FRONT STREET GREENWOOD, MISSISSIPPI 38930 USA

For detailed product information, model numbers, or to request a quote call 1-888-845-4641 or visit vikingrange.com
© 2024 Viking Range, LLC All rights reserved. Specifications subject to change without notice.