



## VL 200 120

Black control panel  
Width 5 1/16" (15 cm)  
Air extraction / air recirculation

## Installation accessories

AD 410 040  
Flexible connecting piece for VL 200  
AD 851 041  
Connecting piece VL 200 for extension  
for extra deep countertop

## VV 200 010

Stainless steel connection strip for  
combination with other Vario  
appliances of the 200 series

## VV 200 020

Black connection strip for combination  
with other Vario appliances of the  
200 series

## Optional accessories

LS 041 001  
Air deflector for VL 200 next to gas  
appliance  
Stainless steel

## Combinable with:

Vario cooktops 200 series  
VI 230  
VI 263  
VG 231  
VG 232  
VG 264  
VP 230  
VR 230.

## Vario 200 series downdraft ventilation VL 200

- Can be combined with other Vario 200 series products
- Highly efficient ventilation system at the cooktop integrated in the countertop
- Function for automatic, sensor-controlled power adjustment depending on the build-up of cooking vapors
- Minimal planning and easy installation
- Low-noise system with recirculation blower AR 410 710
- Air extraction with AR 403 722 blower

## Output

Power levels depend on the remote blower.

## Features

Control knobs with illuminated ring.  
3 electronically controlled power levels and 1 intensive mode.  
Automatic function with sensor-controlled run-on function.  
Large-scale metal grease filter with high grease absorption.  
Grease filter, dishwasher-safe.  
Grease filter and activated charcoal filter saturation indicator.  
Airflow-optimized interior for efficient air circulation.  
Interval ventilation, 6 min.  
Enameled ventilation grill, dishwasher-safe.  
Air exhaust bend included in delivery.  
Overflow capacity 8.5 oz. (250 ml).

## Consumption data

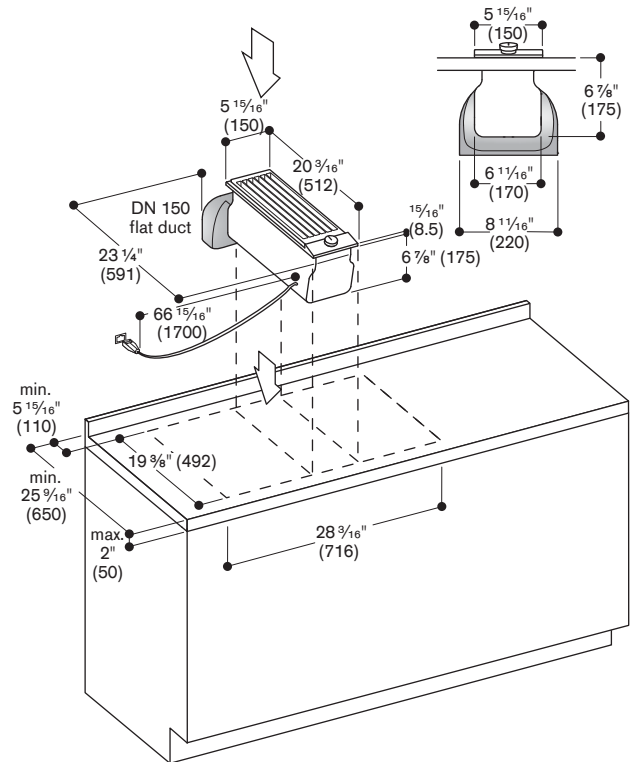
Consumption data is referred to a configuration with the recirculation blower AR 410 710.  
Sound level min. 60 dB / max. 73 dB.

## Planning notes

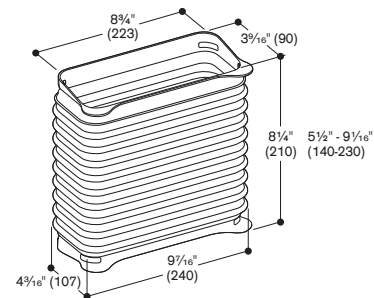
Air recirculation mode in combination with recirculation blower with AR 410 710 or AR 413 722.  
Air extraction in combination with AR 403 722 blower.  
For each VL one blower unit is recommended.  
Maximum cooktop width between 2 VL downdraft units: 24" (60 cm).  
Vario cooktops like Vario electric grill and Vario gas wok should be placed between 2 VL.  
In case of Vario electric grill recirculation is not recommended.  
If installed next to gas appliances, the air deflector LS 041 001 is recommended to ensure maximum performance of the cooktop.  
When having installed the air deflector LS 041 001 the wok pan WP 400 001 can not be used.

## Rating

120 V / 60 Hz  
Connecting cable 66" (1.7m) between VL and recirculation/inline blower.



## AD 410 040: Flexible connection piece for VL 200, DN 150 flat



## AD 851 041: Connecting piece VL 200 for extension with flat duct DN 150 for extra deep countertop

