

Gaggenau

Use and care manual 2

Notice d'utilisation 19

Manual de instrucciones 37

VL 200 120

Downdraft ventilation

Aérateur de plan de cuisson

Extractor de superficie

Table of Contents

▲ Safety Definitions	3
IMPORTANT SAFETY INSTRUCTIONS	4
General notes	4
Fire Safety	4
Burn Prevention	6
Child Safety	6
Cleaning Safety	7
Safe use	7
Proper Installation and Maintenance	8
Proposition 65 Warning:	10
Causes of damage	11
Protecting the environment	11
Operating modes	11
Air extraction	11
Recirculation	11
Getting to know your appliance	12
Downdraft ventilation	12
Control knob	12
Display on the illuminated ring	12
Before using the appliance for the first time	12
Operating the appliance	13
Turning on	13
Turning off	13
Run-on function	13
Intensive mode	13
Intermittent ventilation	13
Automatic operation	14
Saturation notification	14
Ventilation molding	14
Cleaning and maintenance	14
Cleaning the appliance	15
Removing and installing the metal grease filter	15
Cleaning the metal grease filter	16
Changing the activated charcoal filter (only in circulating-air mode)	16
Resetting the saturation indicator	16

Faults – What to Do?	17
-----------------------------	-----------

Customer service	18
-------------------------	-----------

Additional information on products, accessories, replacement parts and services can be found at www.gaggenau.com and in the online shop www.gaggenau.com/zz/store

⚠ Safety Definitions

⚠ WARNING

This indicates that death or serious injuries may occur as a result of non-observance of this warning.

⚠ CAUTION

This indicates that minor or moderate injuries may occur as a result of non-observance of this warning.

NOTICE

This indicates that damage to the appliance or property may occur as a result of non-compliance with this advisory.

Note: This alerts you to important information and/or tips.

IMPORTANT SAFETY INSTRUCTIONS

READ AND SAVE THESE INSTRUCTIONS

WARNING

When properly cared for, your new appliance has been designed to be safe and reliable. Read all instructions carefully before use. These precautions will reduce the risk of burns, electric shock, fire, and injury to persons. When using kitchen appliances, basic safety precautions must be followed, including those in the following pages.

General notes

This appliance is not intended for operation with an external clock timer or a remote control.

Make sure that no small parts or liquids penetrate into the appliance.

Check device for visible damage after unpacking it. Don't plug in device in the event of transport damage.

Adults and children must never operate the appliance without supervision if they are either physically or mentally incapable or if they lack the necessary knowledge and experience to operate the appliance correctly and safely. Don't let children play with the appliance or packaging material.

Fire Safety

Always have a working smoke detector near the kitchen.

WARNING

Risk of fire!

If the downdraft ventilator is installed next to a gas appliance, an air baffle must be used (available as accessory). This prevents the flame from being drawn into the fan. Thus, a filter soaked in grease cannot be ignited by the gas flame.

WARNING

TO REDUCE THE RISK OF A RANGE TOP GREASE FIRE:

1. Never leave surface units unattended at high settings. Boilovers cause smoking and greasy spillovers that may ignite. Heat oils slowly on low or medium settings.
2. Always turn hood ON when cooking at high heat.
3. Clean ventilating fans frequently. Grease should not be allowed to accumulate on fan or filter.
4. Use proper pan size. Always use cookware appropriate for the size of the surface element.

Do not flambé under the extractor hood or work with a naked flame. When switched on, the extractor hood draws flames into the filter. There is a risk of fire due to deposits on the grease filter!

IMPORTANT SAFETY INSTRUCTIONS

READ AND SAVE THESE INSTRUCTIONS

CAUTION

For general ventilating use only. Do not use to exhaust hazardous or explosive materials and vapors.

Do not operate any fan with a damaged cord or plug. Discard fan or contact an authorized service facility for examination and/or repair.

Do not run cord under carpeting. Do not cover cord with throw rugs, runners, or similar coverings. Do not route cord under furniture or appliances. Arrange cord away from traffic area and where it will not be tripped over.

In the event that personal clothing or hair catches fire, drop and roll immediately to extinguish flames.

Smother flames from food fires other than grease fires with baking soda. Never use water on cooking fires.

WARNING

TO REDUCE THE RISK OF INJURY TO PERSONS IN THE EVENT OF A RANGE TOP GREASE FIRE, OBSERVE THE FOLLOWING:

- **SMOTHER FLAMES** with a close-fitting lid, cookie sheet, or metal tray, then turn off the burner. **BE CAREFUL TO PREVENT BURNS.** If the flames do not go out immediately, **EVACUATE AND CALL THE FIRE DEPARTMENT.**
- **NEVER PICK UP A FLAMING PAN**
 - You may be burned.

- **DO NOT USE WATER**, including wet dishcloths or towels – a violent steam explosion will result.
 - Use an extinguisher **ONLY** if:
 - You know you have a Class ABC extinguisher, and you already know how to operate it.
 - The fire is small and contained in the area where it started.
 - The fire department is being called.
 - You can fight the fire with your back to an exit.
-

Have an appropriate fire extinguisher available, nearby, highly visible and easily accessible near the appliance.

Whenever possible, do not operate the ventilation system during a cooktop fire. However, do not reach through fire to turn it off.

WARNING

Risk of fire!

Grease deposits in the grease filter can ignite.

Clean the grease filter at least every two months.

Never operate the appliance without the grease filter.



IMPORTANT SAFETY INSTRUCTIONS

READ AND SAVE THESE INSTRUCTIONS



WARNING

Risk of fire!

Grease deposits in the grease filter can catch fire. Never work with a naked flame near the appliance (e.g. flambéing). Install the unit near a heat-producing appliance for solid fuels (e.g. wood or coal) only if there is a closed, non-detachable cover. There must be no flying sparks.



WARNING

Risk of fire!

When gas burners are in operation without any cookware placed on them, they can build up a lot of heat. A ventilation appliance installed above the cooker may become damaged or catch fire. Only operate the gas burners with cookware on them.



WARNING

Risk of fire!

Hot oil and fat catch fire fast. Never leave hot oil and fat unsupervised. Never extinguish a fire with water. Switch off the cooking position. Suffocate flames carefully with a lid, a fire blanket or similar.

Burn Prevention



WARNING

Risk of burns!

The accessible parts get hot during operation. Never touch hot parts. Keep children away.

Child Safety

When children become old enough to use the appliance, it is the responsibility of the parents or legal guardians to ensure that they are instructed in safe practices by qualified persons.

Remove all tape and packaging before using the appliance. Destroy the packaging after unpacking the appliance. Never allow children to play with packaging material.

Do not allow anyone to climb, stand, lean, sit, or hang on any part of an appliance, especially a door, warming drawer, or storage drawer. This can damage the appliance, and the unit may tip over, potentially causing severe injury.

Do not allow children to use this appliance unless closely supervised by an adult. Children and pets should not be left alone or unattended in the area where the appliance is in use. They should never be allowed to play in its vicinity, whether or not the appliance is in use.

IMPORTANT SAFETY INSTRUCTIONS

READ AND SAVE THESE INSTRUCTIONS

CAUTION

Items of interest to children should not be stored in an appliance, in cabinets above an appliance or on the backsplash. Children climbing on an appliance to reach items could be seriously injured.

Cleaning Safety

WARNING

Be sure the entire appliance (including the grease filters and light bulbs, if applicable) has cooled and grease has solidified before attempting to clean any part of the appliance.

WARNING

Risk of burns, electrical shock! by appliance. Always let appliance cool down prior to cleaning or maintenance. Turn off fuse or unplug power plug.

Do not use steam cleaners to clean the appliance.

CAUTION

Damage to appliance
Do not remove control knobs for cleaning.

Safe use

WARNING

Do not repair, replace or remove any part of the appliance unless specifically recommended in the manuals. Improper installation, service or maintenance can cause injury or property damage. Refer to this manual for guidance. All other servicing should be done by an authorized servicer.

WARNING

Risk of burns!
by hot appliance when used with cooking appliances. Keep children away and ensure proper use.

WARNING

Risk of injury, damage!
through objects set down on the appliance. Never place objects on the appliance.

WARNING

Risk of short circuit!
The cable insulation of electrical appliances can melt. Never place connection cable on the hot cooking zones.

IMPORTANT SAFETY INSTRUCTIONS

READ AND SAVE THESE INSTRUCTIONS

WARNING

Risk of fire!

Overly greasy filters pose a risk of catching fire! Never deep-fry or grill next to the appliance without paying careful attention. Clean grease filters regularly.

Proper Installation and Maintenance

Have the installer show you the location of the circuit breaker or fuse. Mark it for easy reference.

This appliance must be properly installed and grounded by a qualified technician. Connect only to properly grounded outlet. Refer to Installation Instructions for details.

This appliance is intended for normal family household use only. It is not approved for outdoor use. See the Statement of Limited Product Warranty. If you have any questions, contact the manufacturer.

Do not store or use corrosive chemicals, vapors, flammables or nonfood products in or near this appliance. It is specifically designed for use when heating or cooking food. The use of corrosive chemicals in heating or cleaning will damage the appliance and could result in injury.

Do not operate this appliance if it is not working properly, or if it has been damaged. Contact an authorized servicer.

Do not repair or replace any part of the appliance unless specifically

recommended in this manual. Refer all servicing to a factory authorized service center.

CAUTION

Grease left on filters can remelt and move into the vent.



Hidden surfaces may have sharp edges. Use caution when reaching behind or under appliance.

WARNING

When the hood is operated in exhaust-air mode simultaneously with a different burner which also makes use of the same chimney (such as gas, oil or coal-fired heaters, continuous-flow heaters, hot-water boilers) care must be taken to ensure that there is an adequate supply of fresh air which will be needed by the burner for combustion.

Safe operation is possible provided that the under pressure in the room where the burner is installed does not exceed 4 Pa (0.04 mbar).

This can be achieved if combustion air can flow through non-lockable openings, e.g. in doors, windows and via the air-intake/exhaust-air wall box or by other technical measures, such as reciprocal interlocking, etc.

IMPORTANT SAFETY INSTRUCTIONS

READ AND SAVE THESE INSTRUCTIONS

WARNING

Avoid carbon monoxide poisoning – Provide adequate air intake so combustion gases are not drawn back into the room.

An air-intake/exhaust-air wall box by itself is no guarantee that the limiting value will not be exceeded.

Note: When assessing the overall requirement, the combined ventilation system for the entire household must be taken into consideration. This rule does not apply to the use of cooking appliances, such as cooktops and ovens.

WARNING

Mortal danger, risk of poisoning! through back-suctioned combustion gases. Never operate appliance in exhaust air mode simultaneously with a fire-powered appliance that relies on ambient air if sufficient air supply has not been provided for.

Fire-powered appliances that rely on ambient air (e.g. gas, oil, wood or coal-powered heaters, flow heaters, water heaters) draw on combustion air from the room where they're installed and direct the exhaust fumes through an exhaust system (e.g. chimney), out of the building.

In combination with an activated range hood, ambient air is drawn from the kitchen and neighboring rooms—insufficient supply air may cause low pressure. Poisonous gases from the chimney or exhaust shaft may be suctioned back into the living space.

- That's why sufficient supply air must always be provided for.
- An air supply / exhaust wall duct alone doesn't ensure adherence to the limit value.

WARNING

Risk of electrical shock! through damaged connection cable. Don't bend or pinch connection cable during installation.

WARNING

Risk of burns, injury! through damaged connection cable. Damaged connection cable must be replaced by an licensed specialist (electrician).

WARNING

Risk of injury! From sharp edges during installation. Always wear protective gloves while installing the appliance.



IMPORTANT SAFETY INSTRUCTIONS

READ AND SAVE THESE INSTRUCTIONS

Proposition 65 Warning:

This product may contain a chemical known to the State of California, which can cause cancer or reproductive harm. Therefore, the packaging of your product may bear the following label as required by California:

STATE OF CALIFORNIA PROPOSITION 65 WARNING:



WARNING

Cancer and Reproductive Harm - www.P65Warnings.ca.gov

Causes of damage

CAUTION

Risk of damage due to ingress of humidity into the electronic circuitry. Never clean operator controls with a wet cloth.

CAUTION

Surface damage due to strong or abrasive cleaning agents. Never use strong and abrasive cleaning agents.

Protecting the environment

Unpack the appliance and dispose of the packaging in an environmentally friendly manner.

Operating modes

This appliance can be used in air extraction or air recirculation mode depending on the remote fan unit connected.

Air extraction



The air sucked in is cleaned by the grease filters and is routed outdoors through a pipe system.

Note: The extracted air must neither be discharged into an operating smoke or waste gas chimney nor into a shaft that serves to ventilate rooms where heat-producing appliances are installed.

- The local chimney sweep's consent must be obtained if the exhaust air is to be routed to a smoke or waste gas chimney that is not in operation.
- A telescopic wall duct should be used if the exhaust air is routed through the outside wall.

Recirculation

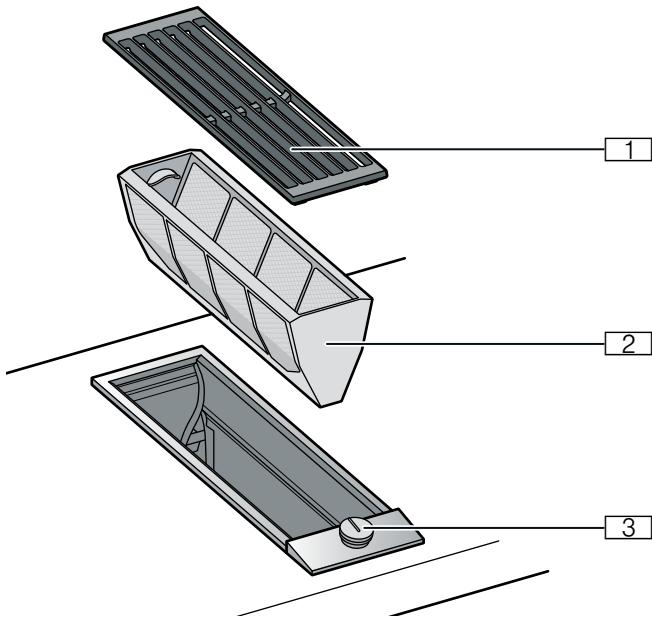


The aspirated air is cleaned by the grease filters and an activated charcoal filter and is returned to the kitchen.

Note: You must install an activated charcoal filter to bind odors in the recirculation mode. Refer to the manual or ask your specialist dealer for details of the various options for operating the appliance in the recirculation mode. You can obtain the necessary accessories from specialist dealers, from our after-sales service or in the online shop.

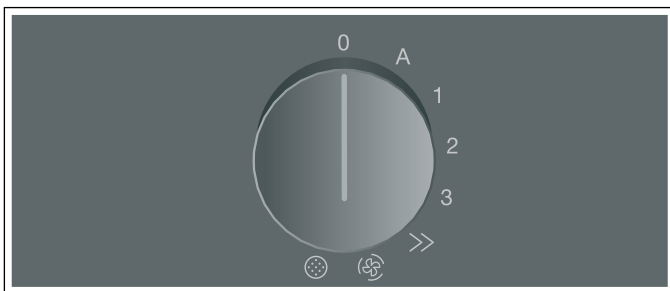
Getting to know your appliance

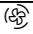

Downdraft ventilation



- 1 Filter cover
- 2 Metal grease filter
- 3 Control knobs

Control knob



Symbol	Explanation
0	Switches off the appliance
A	Switches on automatic mode
1	Switches on fan level 1
2	Switches on fan level 2
3	Switches on fan level 3
>>	Switches on intensive mode
	Switches on intermittent ventilation
	Resets the saturation indicator

Display on the illuminated ring

The control knob is encircled by an illuminated ring that indicates a number of statuses and functions.

Display	Meaning
○ Off	Appliance OFF
● Lights up: Orange	Appliance ON
☀ Switch off appliance, flashes slowly: White, 3 times	Metal grease filter saturation indicator
☀ Switch off appliance, flashes rapidly: White, 6 times	Activated charcoal filter saturation indicator
☀ Flashing: Orange	Appliance fault Please contact customer service.

Before using the appliance for the first time

Before using the appliance and accessory parts for the first time, clean them thoroughly.

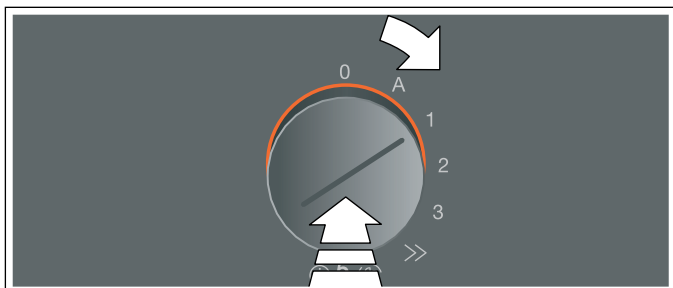
Operating the appliance

Turning on

Automatic mode, three fan settings, intensive mode >> and the intermittent ventilation system (🌀) are available for extraction.

Push in the control knob and turn it clockwise to the fan setting you require.

The illuminated ring behind the control knob lights up.



Turning off

Turn the control knob anti-clockwise to position 0.

Run-on function

Note: The run-on function does not start unless the appliance has been switched on for at least two minutes.

The run-on function leaves the ventilation system running for a few minutes after it has been switched off. The illuminated ring behind the control knob flashes orange. This eliminates any remaining cooking smells. The appliance then automatically switches off.

In automatic mode, the appliance always switches off when you turn the control knob to position 0.

Switching off the run-on function early:

Turn the control knob clockwise to position A. The illuminated ring behind the control knob goes out briefly and then lights up orange. A signal tone sounds. Then turn the control knob to position 0.

Intensive mode

Activate intensive mode if strong odors or large amounts of steam are produced. In this mode, the appliance operates at its maximum fan setting for a short time. After approx. six minutes, the appliance automatically switches back to fan setting 3.

Switching on

Push in the control knob and turn it clockwise to the >> position.

The intensive mode is activated. The illuminated ring behind the control knob goes out briefly and then lights up orange. A signal tone sounds.

Note: The run time of the intensive mode is six minutes. Once this time has elapsed, the appliance switches back to fan setting 3. A signal tone sounds. The control knob remains in the >> position. The illuminated ring behind the control knob goes out briefly and then lights up orange.

Switching off

Turn the control knob anti-clockwise to position 0.

Intermittent ventilation

With intermittent ventilation, the fan automatically switches to fan setting 1 for six minutes every hour.

Switching on

Push in the control knob and turn it clockwise to the (🌀) position.

Intermittent ventilation is activated. The illuminated ring behind the control knob lights up orange while the ventilation system is switched on.

Switching off

Turn the control knob anti-clockwise to position 0.

Automatic operation

In automatic mode, a sensor in the appliance detects the intensity of the cooking and roasting fumes. The appliance selects the appropriate fan setting automatically.

Switching on

Push in the control knob and turn it clockwise to the **A** position.

Automatic mode is activated.

The optimum fan setting 1, 2 or 3 is set automatically using a sensor. The illuminated ring behind the control knob lights up orange while the ventilation system is switched on.

The run time of the automatic mode is eight hours at most.

Switching off

Turn the control knob anti-clockwise to position 0.

Saturation notification

When the metal grease filter or the activated charcoal filter (only in air recirculation mode) are saturated, a signal sounds after the appliance has been switched off and the illuminated ring on the control knob flashes:

- **Metal grease filter:** Three times white, slow flashing
- **Activated charcoal filter:** Six times white, rapid flashing

Do not wait any longer to clean the metal grease filters or replace or regenerate the activated charcoal filters. → *"Cleaning and maintenance" on page 14*

Ventilation molding

If the hob extractor system is operating beside a gas appliance, a ventilation molding (LS 041 001) must be placed on the gas unit.

The ventilation molding improves the extraction behavior of gas appliances and prevents small flames from being blown out by the draught.

Cleaning and maintenance

WARNING

Risk of burns!

The appliance grows hot during operation. Let appliance cool down prior to cleaning.

WARNING

Risk of electrical shock!

Moisture entering the appliance can cause an electrical shock. Don't use a high-pressure cleaner or steam cleaner.

WARNING

Risk of injury!

Components inside the appliance may have sharp edges. Wear protective gloves.

NOTICE

Surface damage

Do not use these cleaning agents

- Caustic or corrosive cleaners
- Oven cleaners
- Cleaners that are caustic, contain chlorine or are aggressive
- Cleaners containing large proportions of alcohol
- Hard, scratchy dish-washing sponges, brushes or scourers

If such an agent comes into contact with the appliance, wipe it off immediately with water.

Thoroughly wash out new sponge cloths before using them.

Note: Only use a minimal amount of water when cleaning so that no water enters the appliance.

Cleaning the appliance

Note: Before cleaning, remove any jewelry from your arms and hands.

In order to ensure the grease absorption level, the grease filter must be cleaned regularly.

Clean the appliance after each use once it has cooled down. Remove spilt liquids immediately and do not allow any food remains to dry on it.

Also clean the inside of the downdraft ventilation regularly with a damp cloth.

Appliance part/surface	Recommended cleaning
Appliance frame	Soapy water – dry with a soft cloth. Use a minimal amount of water when cleaning to prevent water from penetrating the appliance. Soak dried-on food remains with a small amount of soapy water; do not scour.
Ventilation grille	Carefully remove for cleaning. Soapy water – dry with a soft cloth. You can also clean the ventilation grille in the dishwasher. This may cause the ventilation grille to discolor, making it lighter. This does not affect its usability.
Control panel	Soapy water – the cloth must not be too wet. Dry with a soft cloth. If acidic substances (e.g. vinegar, ketchup, mustard, marinades, lemon juice) are spilled on the control panel, remove them immediately.
Control knobs	Soapy water – the cloth must not be too wet. Dry with a soft cloth.

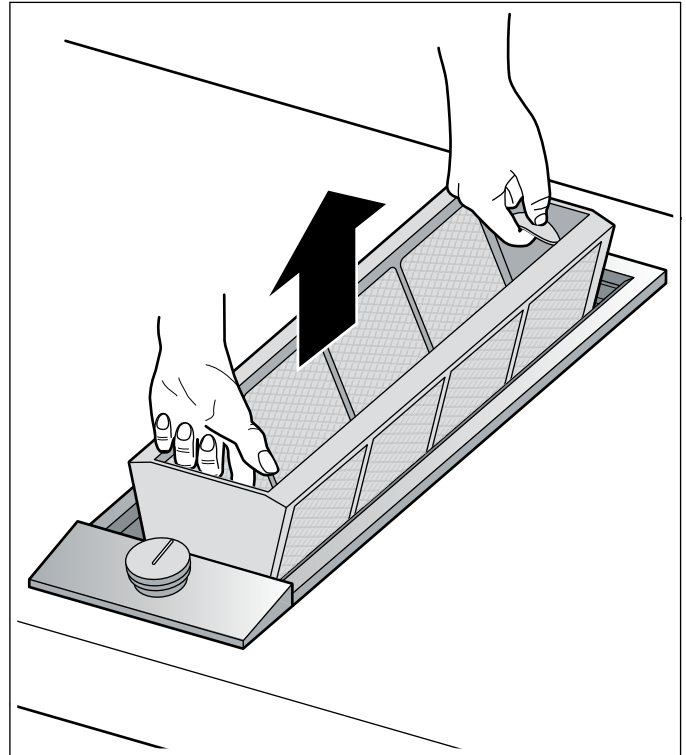
⚠ CAUTION

Damage to the appliance

Do not detach the control knobs to clean them.

Removing and installing the metal grease filter

1. Remove the filter cover.
2. Pull the metal grease filter up and out of the appliance.



3. Clean the metal grease filter and filter cover.
4. Clean the interior of the downdraft ventilation.
5. Insert the metal mesh grease filter.
6. Put the filter cover on.

Cleaning the metal grease filter

WARNING

Risk of fire!

Grease deposits in the grease filter can ignite.

Clean the grease filter at least every two months.

Never operate the appliance without the grease filter.

The metal grease filter can be cleaned in the dishwasher or by hand.

Cleaning in the dishwasher

Note: Slight discoloration may occur if cleaning in the dishwasher. This has no effect on the performance of the metal grease filter.

1. Place the metal grease filters loosely in the dishwasher with the opening facing down. Do not jam in the metal grease filters.
2. Do not clean heavily soiled metal grease filters together with tableware.

Cleaning by hand

1. Soak the metal grease filter in hot soapy water.
2. Clean with a brush and then rinse thoroughly.
3. Allow the metal grease filter to dry before inserting.

Note: You can use a special degreaser to remove stubborn dirt. It can be ordered via the online shop.


Changing the activated charcoal filter (only in circulating-air mode)

Activated charcoal filters trap the odor-causing compounds from cooking smells. They are only used for air-recirculation mode.

The activated charcoal filter of the remote fan unit must be replaced at regular intervals. The saturation indicator on your appliance tells you how frequently this needs to be done.

Resetting the saturation indicator

If the saturation indicator for the metal grease filter or activated charcoal filter has flashed, you must reset the saturation indicator after cleaning or changing the filter.

1. Push in the control knob and turn it clockwise to the  position.
The saturation indicator is reset. The illuminated ring behind the control knob flashes three times. A signal tone sounds.
2. Turn the control knob back to position 0.

Faults – What to Do?

WARNING

Risk of electric shock!

Incorrect repairs are dangerous. Repairs may only be carried out by an authorized servicer. If the appliance is not functioning properly, unplug the power cord or switch off the fuse in the fuse box. Contact Customer Support.

Faults often have simple explanations. Please read the notes in the table before calling customer service.

Disruption	Possible cause	Solution
The appliance does not work	No connection to the remote fan unit.	Check whether the plugs of the connection cable are properly inserted.
	Power failure	Check whether other kitchen appliances are working.
	Faulty fuse	Check in the fuse box to make sure that the fuse for the appliance is in working order.
After the appliance has been switched off, the illuminated ring slowly flashes white three times and an audible signal sounds.	The metal grease filter is saturated.	Clean the metal grease filter. → <i>"Cleaning and maintenance" on page 14</i>
After the appliance has been switched off, the illuminated ring rapidly flashes white six times and an audible signal sounds.	The activated charcoal filter in the remote fan unit is saturated.	Change the activated charcoal filter in the remote fan unit. → <i>"Cleaning and maintenance" on page 14</i>
The appliance switches itself off while in use; the illuminated ring flashes orange and white alternately	Safety switch off: The controls on the appliance have not been used for a long time	Turn the control knob to 0, then switch it back on (if you wish to continue using the appliance)
	The appliance remains off after a power failure	Turn the control knob to 0, then switch it back on (if you wish to continue using the appliance)
Appliance runs in automatic mode, illuminated ring flashes orange	Automatic sensor is faulty	Turn the control knob to 0, then switch it back on If the illuminated ring continues flashing after you have switched the appliance back on, contact the after-sales service

Table des Matières

▲ Définitions de sécurité	20
CONSIGNES DE SÉCURITÉ IMPORTANTES	21
Instructions générales	21
Sécurité-incendie	21
Prévention des brûlures	24
Sécurité des enfants	24
Consignes en matière de nettoyage	24
Sécurité à l'utilisation	25
Installation et entretien corrects	25
Avertissement issu de la proposition 65	28
Sources des dommages	29
Protection de l'environnement	29
Modes de fonctionnement	29
Mode évacuation	29
Mode recyclage	29
Présentation de l'appareil	30
Hotte à aspiration descendante	30
Manettes de commande	30
Anneau lumineux	30
Avant la première utilisation	31
Utiliser l'appareil	31
Mise en marche	31
Arrêt	31
Fonction temporisation	31
Ventilation intense	32
Ventilation intermittente	32
Mode Automatique	32
Indicateur de saturation	32
Défecteur	32
Nettoyage et entretien	33
Nettoyage de l'appareil électroménager	33
Dépose et pose des filtres à graisse métalliques	34
Nettoyage du filtre à graisse métallique	34
Changement des filtres à charbon actif (uniquement en cas de mode recyclage)	34
Réinitialiser l'indicateur de saturation	34

Dérangements, Que faire si...	35
--------------------------------------	-----------

Service après-vente	36
----------------------------	-----------

Vous trouverez des informations supplémentaires concernant les produits, accessoires, pièces de rechange et services sur Internet sous : www.gaggenau.com et la boutique en ligne : www.gaggenau.com/zz/store

Définitions de sécurité

AVERTISSEMENT

Ceci indique que le non-respect de cet avertissement peut entraîner des blessures graves, voire la mort.

ATTENTION

Ceci indique que le non-respect de cet avertissement peut entraîner des blessures légères ou de gravité moyenne.

AVIS

Ceci indique que la non-conformité à cet avis de sécurité peut entraîner des dégâts matériels ou endommager l'appareil.

Remarque : Ceci vous signale des informations et/ou indications importantes.



CONSIGNES DE SÉCURITÉ IMPORTANTES

LIRE ET CONSERVER CES INSTRUCTIONS



AVERTISSEMENT

Votre nouvel appareil a été conçu pour un fonctionnement sûr et fiable si vous en prenez bien soin. Lire attentivement toutes les consignes avant l'emploi. Ces précautions réduiront les risques de brûlures, de choc électrique, d'incendie et de lésions corporelles. Lors de l'utilisation d'un appareil électroménager, quelques précautions de sécurité élémentaires doivent être observées, y compris celles qui figurent aux pages suivantes.

Instructions générales

Cet appareil n'est pas destiné à être utilisé avec un programmateur externe ou une télécommande.

Veiller à ce que des petites pièces et des liquides ne pénètrent pas dans l'appareil.

Après avoir déballé l'appareil, s'assurer qu'il n'a pas subi de dommages visibles. Si l'appareil a été endommagé durant le transport, ne pas le brancher.

Ne jamais laisser des adultes ou des enfants se servir de l'appareil sans surveillance, si ces personnes ne sont pas en mesure de le faire pour des raisons physiques ou mentales ou bien si elles ne savent pas le faire de manière correcte et sûre ou n'ont pas l'habitude de le faire. Ne pas laisser des enfants jouer avec l'appareil ou son emballage.

Sécurité-incendie

Toujours avoir un détecteur de fumée en état de marche près de la cuisine.



AVERTISSEMENT

Risque d'incendie !

Si la hotte à aspiration descendante est installée près d'un appareil à gaz, il faut utiliser un déflecteur d'air (offert comme accessoire). Le déflecteur empêche l'aspiration de la flamme par le ventilateur. On évite ainsi d'enflammer un filtre imprégné de graisse.



AVERTISSEMENT

POUR RÉDUIRE LE RISQUE D'INCENDIE DE GRAISSE DE CUISINIÈRE:

1. Ne laissez jamais la surface de cuisson sans surveillance à des températures élevées. Les débordements causent de la fumée et les résidus graisseux peuvent s'enflammer.. Faites chauffer les huiles lentement à feu doux ou moyen.
2. Faites toujours fonctionner la hotte lorsque vous cuisinez à feu vif.
3. Nettoyez les ventilateurs régulièrement. Ne laissez pas la graisse s'accumuler sur le ventilateur ou sur le filtre.



CONSIGNES DE SÉCURITÉ IMPORTANTES

LIRE ET CONSERVER CES INSTRUCTIONS

- Utilisez des casseroles de taille appropriée. Utilisez toujours des récipients adaptés à la taille de la surface de cuisson.

Ne flambez jamais sous la hotte aspirante et ne travaillez jamais avec une flamme nue. Une hotte aspirante en marche aspire les flammes dans le filtre. Une hotte aspirante en marche aspire les flammes dans le filtre. Ne flambez jamais sous la hotte aspirante et ne travaillez jamais avec une flamme nue. Une hotte aspirante en marche aspire les flammes dans le filtre. Les dépôts de graisse sur les filtre risquent alors de s'enflammer!



ATTENTION

Appareil conçu exclusivement pour la ventilation générale. Ne pas utiliser pour évacuer des matières et vapeurs dangereuses ou explosives.

Ne pas mettre l'aérateur en marche si le cordon ou le connecteur d'alimentation sont endommagés. Mettre l'aérateur au rebut ou bien l'envoyer à un service après-vente agréé pour le contrôler et (ou) le réparer.

Ne pas faire passer le cordon d'alimentation sous un tapis. Ne pas recouvrir le cordon d'alimentation de petits tapis ou autres revêtements de sol de ce type. Ne pas faire passer le cordon d'alimentation sous des meubles ou des appareils. Poser le cordon d'alimentation hors des zones de passage et des

endroits où il pourrait être heurté par des personnes.

Si des vêtements s'enflamment, rouler par terre immédiatement pour éteindre les flammes.

Étouffez les flammes d'un feu d'aliments autre qu'un feu de graisse à l'aide de bicarbonate de soude. Ne jamais utiliser d'eau sur les feux de cuisson.



AVERTISSEMENT

POUR RÉDUIRE LE RISQUE DE LÉSIONS CORPORELLES EN CAS D'UN FEU DE FRITURE SUR UNE CUISINIÈRE, OBSERVER CE QUI SUIVIT :

- ÉTOUFFER LES FLAMMES à l'aide d'un couvercle bien hermétique, d'une tôle à biscuits ou d'un plateau en métal, puis éteindre le brûleur. FAIRE ATTENTION À NE PAS SE BRÛLER. Si les flammes ne s'éteignent pas immédiatement, ÉVACUER LES LIEUX ET FAIRE APPEL AU SERVICE D'INCENDIE.
- NE JAMAIS SOULEVER UNE POÊLE EN FLAMMES – Vous pourriez vous brûler.
- NE PAS UTILISER D'EAU, y compris les chiffons ou serviettes mouillées - une violente explosion de vapeur pourrait se produire.
- Utiliser UNIQUEMENT un extincteur si :



CONSIGNES DE SÉCURITÉ IMPORTANTES

LIRE ET CONSERVER CES INSTRUCTIONS

- Vous savez que vous avez un extincteur de classe ABC et comment l'utiliser.
- Le feu est petit et circonscrit à la zone où il a débuté.
- Le service d'incendie est appelé.
- Si l'on peut combattre le feu en ayant le dos vers une sortie.

Veillez à avoir à portée de main un extincteur d'incendie en bon état de marche, placé visiblement près de l'appareil et facile d'accès.

Dans la mesure du possible, ne pas faire fonctionner le système de ventilation lorsqu'un feu se déclenche sur une table de cuisson. Toutefois, ne pas passer la main à travers le feu pour mettre le système de ventilation hors tension.



AVERTISSEMENT

Risque d'incendie !

Les dépôts se trouvant dans le filtre à graisse peuvent s'enflammer.

Nettoyer le filtre à graisse au moins tous les 2 mois.

Ne jamais faire fonctionner l'appareil sans son filtre à graisse.



AVERTISSEMENT

Risque d'incendie !

Les dépôts se trouvant dans le filtre à graisse peuvent s'enflammer. Ne jamais cuisiner à proximité de l'appareil avec une flamme ouverte (par exemple pour faire flamber). Installer l'appareil près d'un foyer pour combustibles solides (bois ou charbon par exemple) seulement s'il y a un couvercle fermé et non amovible. Il ne faut pas qu'il se produise de projection d'étincelles.



AVERTISSEMENT

Risque d'incendie !

Les brûleurs gaz dégagent une forte chaleur lorsqu'aucun récipient n'est posé dessus. Ils peuvent alors endommager les appareils de ventilation. Utiliser les brûleurs gaz uniquement lorsqu'un récipient est placé dessus.



AVERTISSEMENT

Risque d'incendie !

L'huile et la graisse très chaudes s'enflamment rapidement. Ne jamais laisser de l'huile et de la graisse chaudes sans surveillance. Ne jamais éteindre un incendie avec de l'eau. Éteindre le foyer. Étouffer les flammes avec précaution au moyen d'un couvercle, d'une couverture antifeu ou équivalent.

CONSIGNES DE SÉCURITÉ IMPORTANTES

LIRE ET CONSERVER CES INSTRUCTIONS

Prévention des brûlures

AVERTISSEMENT

Risque de brûlure !

Les parties accessibles chauffent lorsque la table est allumée. Ne touchez jamais aux parties très chaudes. Tenez les enfants à distance.

Sécurité des enfants

Lorsque les enfants sont assez âgés pour utiliser l'appareil, il incombe aux parents ou tuteurs légaux de veiller à ce qu'ils soient formés aux pratiques sécuritaires par des personnes qualifiées.

Enlever le ruban adhésif et l'emballage avant d'utiliser l'appareil. Détruire l'emballage après avoir déballé l'appareil. Ne jamais laisser les enfants jouer avec les matériaux de conditionnement.

Ne permettre à personne de grimper, rester debout, s'appuyer, s'asseoir ou se pencher sur toute partie d'un appareil, notamment une porte, un tiroir-réchaud ou un tiroir de rangement. Ceci peut endommager l'appareil qui risque de basculer et causer des blessures sérieuses.

Ne pas permettre aux enfants d'utiliser cet appareil sauf sous la surveillance attentive d'un adulte. Ne pas laisser les enfants et les animaux seuls ou sans surveillance lorsque l'appareil est en service. Ne jamais les laisser jouer aux alentours de l'appareil, que ce dernier soit en service ou non.

ATTENTION

Les articles d'intérêt pour les enfants ne doivent pas être rangés dans un appareil électroménager, dans les armoires au-dessus de l'appareil ou sur le dosseret. Les enfants peuvent grimper sur l'appareil pour atteindre ces objets et se blesser sérieusement.

Consignes en matière de nettoyage

AVERTISSEMENT

S'assurer que l'appareil a complètement refroidi (y compris les filtres à graisse et les ampoules, le cas échéant) et que la graisse s'est solidifiée avant de tenter de nettoyer une quelconque partie de l'appareil.

AVERTISSEMENT

Risque d'incendie, risque de choc électrique ! émanant de l'appareil. Avant de nettoyer ou d'entretenir l'appareil, toujours le laisser refroidir. Désactiver le fusible ou débrancher le connecteur du secteur.

Ne pas utiliser de nettoyeur à vapeur pour nettoyer l'appareil.

CONSIGNES DE SÉCURITÉ IMPORTANTES

LIRE ET CONSERVER CES INSTRUCTIONS

ATTENTION

Dommages causés à l'appareil
Pour nettoyer les manettes ou boutons de commande, ne pas les retirer.

AVERTISSEMENT

Risque de court-circuit !
L'isolation des câbles d'appareils électriques peut fondre. Ne jamais faire passer des câbles d'alimentation sur les foyers chauds.

Sécurité à l'utilisation

AVERTISSEMENT

Ne réparez, remplacez, ni ne retirez aucune partie de l'appareil, excepté si les manuels recommandent de le faire. Une installation, un entretien ou une inspection incorrects peuvent occasionner des blessures ou des dommages matériels. Reportez-vous au présent manuel pour obtenir des indications. Toute autre intervention doit être effectuée par un technicien agréé.

AVERTISSEMENT

Risque de brûlure !
lorsque l'appareil utilisé avec des appareils de cuisson est très chaud. Tenir les enfants à distance et s'assurer d'une utilisation correcte.

AVERTISSEMENT

Risque de blessure, risque de détérioration !
par des objets déposés sur l'appareil. Ne jamais poser d'objets sur l'appareil.

AVERTISSEMENT

Risque d'incendie !
Les filtres surchargés de graisse risquent de s'enflammer ! Ne jamais faire frire ou griller sans surveiller l'appareil. S'assurer que les filtres à graisse sont régulièrement nettoyés.

Installation et entretien corrects

Demandez à l'installateur de vous montrer où se trouve le disjoncteur ou le fusible. Identifier sa position pour pouvoir le retrouver facilement.

Cet appareil doit être adéquatement installé et mis à la terre par un technicien agréé. Branchez l'appareil uniquement dans une prise correctement reliée à la terre. Pour plus de détails, reportez-vous à la notice d'installation.

Cet appareil est destiné uniquement à une utilisation domestique normale. Il n'est pas homologué pour un usage en extérieur. Voyez la Énoncé de la Garantie Limitée. Si vous avez des questions, communiquez avec le fabricant.

Ne pas entreposer ni utiliser de produits chimiques corrosifs, vapeurs, substances inflammables ou produits non

CONSIGNES DE SÉCURITÉ IMPORTANTES

LIRE ET CONSERVER CES INSTRUCTIONS

alimentaires à l'intérieur ou à proximité de l'appareil. Il a été spécialement conçu pour être utilisé pendant le chauffage et la cuisson des aliments. L'emploi de produits chimiques corrosifs pour chauffer ou nettoyer l'appareil endommagera ce dernier et peut provoquer des blessures.

Ne pas se servir de cet appareil s'il ne fonctionne pas correctement ou s'il est endommagé. Communiquer avec un réparateur autorisé.

Ne pas réparer ni remplacer toute pièce de l'appareil à moins que cela ne soit spécifiquement recommandé par ce manuel. Toute réparation doit être effectuée par un centre de réparation autorisé par l'usine.

ATTENTION

La graisse restant sur les filtres peut se fondre à nouveau et se déplacer à l'intérieur de l'évent.



Certaines surfaces peuvent avoir des bords tranchants. Faire attention en étendant le bras derrière l'appareil ou en dessous.

AVERTISSEMENT

Lorsque la hotte aspirante est utilisée en mode d'évacuation d'air simultanément avec un brûleur différent utilisant également la même cheminée, (tels des appareils de chauffage au gaz, à l'huile ou au charbon, des chauffe-eau instantanés ou des chaudières à eau chaude), veillez à ce que l'apport d'air frais soit suffisant pour assurer la combustion adéquate du brûleur.

Un fonctionnement sans risque est possible si la sous-pression dans la pièce où le brûleur est installé ne dépasse pas 4 Pa (0,04 mbar).

On peut y parvenir en acheminant l'air requis pour la combustion à travers des ouvertures non verrouillables, par exemple dans les portes et fenêtres, et en association avec des boîtiers muraux d'admission/d'évacuation d'air fixées au mur ou grâce à d'autres mesures techniques telles qu'un verrouillage réciproque, etc.

AVERTISSEMENT

Évitez l'intoxication au monoxyde de carbone. – Prévoyez une admission d'air adéquate pour empêcher l'aspiration des gaz de combustion dans la pièce.

Un boîtier mural air d'admission/air d'échappement ne peut garantir que la valeur limite ne sera pas dépassée.

CONSIGNES DE SÉCURITÉ IMPORTANTES

LIRE ET CONSERVER CES INSTRUCTIONS

Remarque : Lorsque vous évaluez les exigences globales, vous devez tenir compte du système combiné d'aération de la maison au complet. Cette règle ne s'applique pas aux appareils de cuisson, comme les surfaces de cuisson et les fours.

AVERTISSEMENT

Danger de mort, danger d'intoxication !
par la réaspiration de gaz de combustion. Ne jamais utiliser l'appareil en mode évacuation en même temps qu'un foyer à air ambiant si un apport suffisant en air frais n'est pas assuré.

Les foyers à air ambiant (par exemples les chauffages à gaz, à bois, à fioul ou à charbon, les chauffe-eau instantanés, les ballons d'eau chaude) prélèvent l'air de combustion dans la pièce où ils sont installés et rejettent les gaz de fumée à l'air libre par un système spécifique (cheminée par exemple).

Lorsque la hotte aspirante est en marche, elle prélève de l'air dans la cuisine et dans les pièces voisines ; si l'apport d'air frais est trop faible, une dépression se forme. Des gaz toxiques provenant de la cheminée ou du conduit d'évacuation sont réaspirés dans les pièces d'habitation.

- Il faut donc toujours s'assurer que l'apport d'air frais est suffisant
- Un caisson mural d'entrée et de sortie d'air ne suffit pas à assurer la valeur minimale nécessaire.

AVERTISSEMENT

Risque de choc électrique !
en raison de la détérioration du câble d'alimentation. Ne pas couder ni coincer le câble d'alimentation pendant l'installation.

AVERTISSEMENT

Risque d'incendie, risque de blessure !
en raison de la détérioration du câble d'alimentation. Si le câble d'alimentation est endommagé, il faut le faire changer par un technicien agréé (électricien).

AVERTISSEMENT

Risque de blessure !
pendant l'installation par des arêtes coupantes. Pendant l'installation de l'appareil, toujours porter des gants de protection.

CONSIGNES DE SÉCURITÉ IMPORTANTES

LIRE ET CONSERVER CES INSTRUCTIONS

Avertissement issu de la proposition 65 :

Ce produit pourrait contenir un produit chimique reconnu par l'État de la Californie comme cancérigène ou ayant des effets nocifs sur la reproduction. Par conséquent, l'emballage de votre produit pourrait porter l'étiquette suivante, comme requis par la Californie :

AVERTISSEMENT ISSUE DE LA PROPOSITION 65 DE L'ÉTAT DE LA CALIFORNIE :



AVERTISSEMENT

Cancer et dommages à la reproduction -

www.P65Warnings.ca.gov

Sources des dommages

ATTENTION

Risque de détérioration par pénétration d'humidité dans l'électronique. Ne jamais nettoyer les commandes avec un chiffon humide.

ATTENTION

Détérioration des surfaces par les produits de nettoyage agressifs ou abrasifs. Ne jamais utiliser de produits de nettoyage agressifs ou abrasifs.

Protection de l'environnement

Déballer l'appareil et jeter l'emballage dans le respect de l'environnement.

Modes de fonctionnement

En fonction du module ventilateur raccordé, vous pouvez utiliser cet appareil en mode évacuation d'air ou recirculation.

Mode évacuation



L'air aspiré est purifié par les filtres à graisse, puis rejeté à l'air libre par une conduite.

Remarque : Il ne faut pas rejeter l'air usé dans une cheminée d'évacuation en service, ni dans un conduit servant à la ventilation de pièces où sont installés des foyers.

- Pour rejeter l'air dans un conduit de fumées qui n'est pas en service, il faut demander l'accord du maître ramoneur compétent.
- Si l'air est évacué à travers le mur extérieur de l'habitation, il faut utiliser un caisson mural télescopique.

Mode recyclage

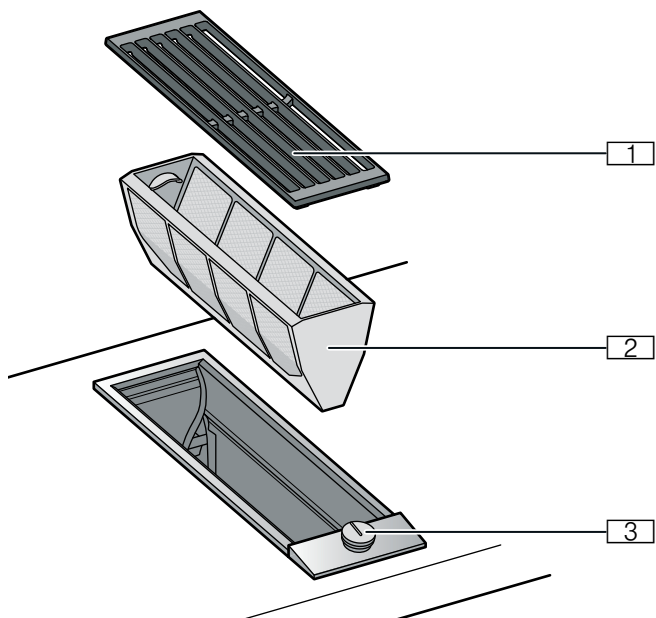


L'air aspiré est nettoyé par les filtres à graisse et un filtre à charbon actif, puis ramené dans la cuisine.

Remarque : Pour que les odeurs soient retenues en mode recyclage, vous devez monter un filtre à charbon actif. Pour en savoir plus sur les différentes possibilités d'utilisation de l'appareil en mode recyclage, consultez la documentation ou contactez votre distributeur. Vous trouverez les accessoires nécessaires chez les distributeurs spécialisés, auprès de notre service après-vente ou sur la boutique en ligne,

Présentation de l'appareil

Hotte à aspiration descendante



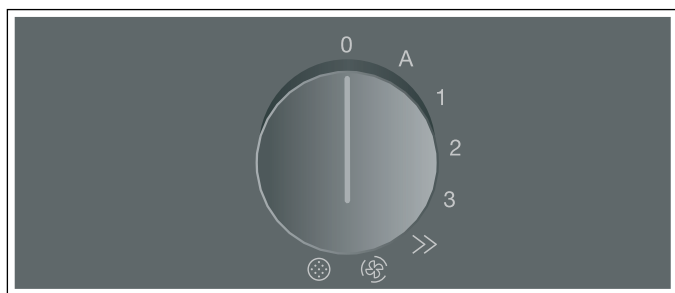
- 1 Couvercle du filtre
- 2 Filtre à graisse métallique
- 3 Bouton de commande

Anneau lumineux

Le bouton de commande est doté d'un anneau lumineux pouvant indiquer différents états.

Affichage	Signification
○ Arrêt	Appareil ÉTEINT
● Allumé en orange	Appareil ALLUMÉ
☀ Éteindre l'appareil, clignotement lent : blanc, 3 fois	Indicateur de saturation du filtre à graisse métallique
☀ Éteindre l'appareil, clignotement rapide : blanc, 6 fois	Indicateur de saturation du filtre à charbon actif
☀ Clignotement : orange	Défaillance de l'appareil Communiquez avec le service après-vente!

Manettes de commande




Symbole	Explication
0	Éteindre l'appareil
A	Activer le mode automatique
1	Activer la vitesse de ventilation 1
2	Activer la vitesse de ventilation 2
3	Activer la vitesse de ventilation 3
>>	Activer la ventilation intense
⌚	Activer la ventilation intermittente
⊙	Réinitialiser l'indicateur de saturation

Avant la première utilisation

Avant la première utilisation, nettoyez soigneusement l'appareil et les accessoires.

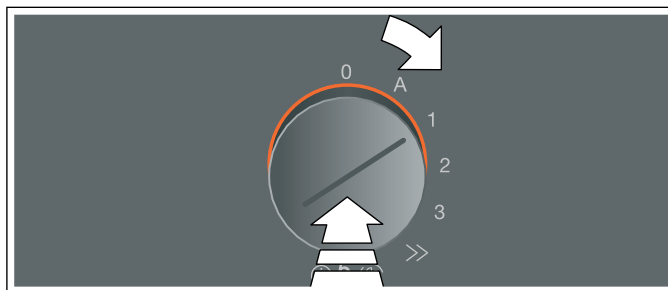
Utiliser l'appareil

Mise en marche

Pour l'aspiration, vous disposez du mode automatique, de trois vitesses de ventilation et, des ventilations intense >> et intermittente .

Enfoncez le bouton de commande et tournez-le vers la droite sur la vitesse de ventilation souhaitée.

L'anneau lumineux derrière le bouton de commande s'allume en orange.



Arrêt

Tournez le bouton de commande vers la gauche sur la position 0.

Fonction temporisation

Remarque : La fonction de poursuite du ventilateur démarre uniquement lorsque l'appareil a été activé pendant au moins deux minutes.

La fonction de poursuite du ventilateur fait tourner le système de ventilation quelques minutes après l'avoir désactivé. L'anneau lumineux situé derrière le bouton de commande clignote en orange. Cela permet d'éliminer les vapeurs de cuisson encore présentes. Ensuite, l'appareil s'éteint automatiquement.

En mode Automatique, l'appareil s'éteint toujours lorsque vous tournez le bouton de commande sur la position 0.

Désactiver la fonction de poursuite du ventilateur prématurément :

Tournez le bouton de commande vers la droite, sur la position **A**. L'anneau lumineux situé derrière le bouton de commande s'éteint brièvement et s'allume ensuite en orange. Un signal sonore retentit. Tournez ensuite le bouton de commande sur la position 0.

Ventilation intense

Activez la ventilation intense en cas de dégagement important d'odeurs et de vapeurs. L'appareil fonctionne alors à puissance maximale pendant un court instant. Au bout d'environ 6 minutes, il passe de lui-même à la vitesse de ventilation 3.

Activation

Enfoncez le bouton de commande et tournez-le vers la droite sur la position **»»**.

La ventilation intense est activée. L'anneau lumineux derrière le bouton de commande s'éteint brièvement et s'allume ensuite en orange. Un signal sonore retentit.

Remarque : La ventilation intense fonctionne pendant 6 minutes. Après écoulement de ce temps, l'appareil repasse à la vitesse 3. Un signal sonore retentit. Tournez le bouton de commande sur la position **»»**. L'anneau lumineux derrière le bouton de commande s'éteint brièvement et s'allume ensuite en orange.

Désactivation

Tournez le bouton de commande vers la gauche sur la position 0.

Ventilation intermittente

Lors de la ventilation intermittente, la ventilation se met automatiquement en marche sur la vitesse 1 pendant respectivement 6 minutes toutes les heures.

Activation

Enfoncez le bouton de commande et tournez-le vers la droite sur la position **Ⓐ**.

La ventilation intermittente est activée. L'anneau lumineux derrière le bouton de commande s'allume en orange pendant que la ventilation est en marche.

Désactivation

Tournez le bouton de commande vers la gauche sur la position 0.

Mode Automatique

En mode automatique, un capteur installé dans la hotte détecte l'intensité des odeurs de cuisson et de rôtissage. L'appareil sélectionne automatiquement la vitesse de ventilation adéquate.

Activation

Enfoncez le bouton de commande et tournez-le vers la droite sur la position **A**.

Le mode Automatique est activé.

La vitesse de ventilation optimale 1, 2, 3 ou la ventilation intense est automatiquement réglée à l'aide d'un capteur. L'anneau lumineux derrière le bouton de commande s'allume en orange pendant que la ventilation est en marche.

La durée de marche du mode automatique est d'au plus 8 heures.

Désactivation

Tournez le bouton de commande vers la gauche sur la position 0.

Indicateur de saturation

En cas de saturation du filtre à graisse métallique ou du filtre à charbon actif (uniquement en cas de mode de recirculation de l'air), un signal sonore retentit après l'arrêt de l'appareil et l'anneau lumineux du bouton de commande clignote :

- **Filtre à graisse métallique :** clignotement lent blanc, 3 fois
- **Filtre à charbon actif :** clignotement rapide blanc, 6 fois

Vous devez nettoyer ou régénérer maintenant au plus tard le filtre à graisse métallique ou le filtre à charbon actif. → *"Nettoyage et entretien" à la page 33*

Défecteur

Si vous faites fonctionner la hotte à aspiration descendante près d'un appareil à gaz, il faut installer un déflecteur LS 041 001 sur l'appareil à gaz lors de la cuisson.

Le déflecteur améliore le processus d'aspiration pour les appareils à gaz et évite l'extinction de petites flammes due à un courant d'air.

Nettoyage et entretien

AVERTISSEMENT

Risque de brûlure !

L'appareil chauffe pendant son fonctionnement. Avant de nettoyer l'appareil, il faut le laisser refroidir.

AVERTISSEMENT

Risque de choc électrique !

La pénétration d'humidité peut provoquer un choc électrique. Ne pas utiliser de nettoyeur à haute pression ou à vapeur.

AVERTISSEMENT

Risque de blessure !

Les pièces se trouvant dans l'appareil peuvent présenter des arêtes vives. Porter des gants de protection.

AVIS

Endommagement des surfaces

N'utilisez pas ces produits nettoyants

- Produits agressifs ou abrasifs
- Nettoyant pour four
- Nettoyants corrosifs, chlorés ou agressifs
- Nettoyants très alcoolisés
- Éponges à vaisselle dures, abrasives, brosses ou tampons à récurer

Lorsqu'un produit de ce type tombe sur l'appareil, essuyez-le tout de suite à l'eau.

Rincez toujours soigneusement les éponges et lavettes neuves avant de les utiliser.

Remarque : Utilisez peu d'eau pour le nettoyage, elle ne doit pas pénétrer dans l'appareil.

Nettoyage de l'appareil électroménager

Remarque : Avant d'entreprendre le nettoyage, retirez tous les bijoux que vous pourriez porter au bras et aux mains.

Pour garantir le niveau d'absorption des graisses, nettoyez régulièrement le filtre à graisse.

Nettoyez l'appareil quand il est refroidi. Essuyez immédiatement les liquides ayant débordé, ne laissez pas sécher les restes d'aliments.

Nettoyez également régulièrement l'intérieur de la hotte à aspiration descendante à l'aide d'un chiffon humide.

Élément de l'appareil/ surface	Nettoyage recommandé
Cadre de l'appareil	Eau savonneuse - séchez avec un chiffon doux. Utilisez peu d'eau pour le nettoyage, elle ne doit pas pénétrer dans l'appareil. Faites ramollir les parties séchées avec un peu d'eau et de savon à vaisselle, ne frottez pas pour les enlever.
Grille de ventilation	Retirez-la avec précaution pour le nettoyage. Eau savonneuse - séchez avec un chiffon doux. La grille de ventilation peut aussi être nettoyée au lave-vaisselle. Elle peut alors se décolorer. Cela n'a aucune influence sur son rendement.
Panneau de commande	Eau savonneuse – le chiffon ne doit pas être trop mouillé. Séchez ensuite avec un chiffon doux. Essuyez immédiatement les aliments acides qui tombent sur le panneau de commande (par ex. vinaigre, ketchup, moutarde, marinades, jus de citron).
Bouton de commande	Produit de nettoyage – le chiffon ne doit pas être trop mouillé. Séchez ensuite avec un chiffon doux.

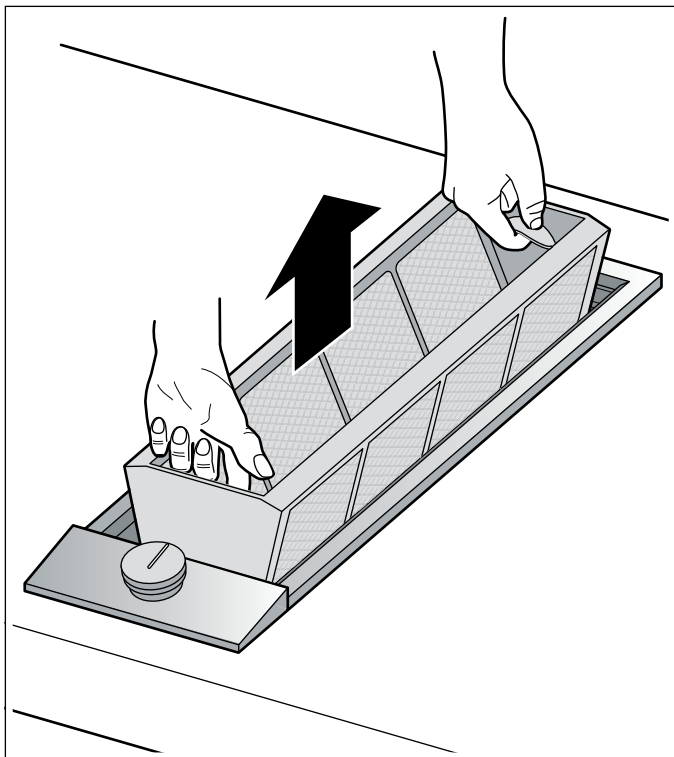
ATTENTION

Domages à l'appareil

Ne retirez pas les boutons de commande pour le nettoyage.

Dépose et pose des filtres à graisse métalliques

1. Retirez le couvercle du filtre.
2. Retirez le filtre à graisse métallique en l'extrayant de l'appareil vers le haut.



3. Nettoyez le filtre à graisse métallique et le couvercle des filtres.
4. Nettoyez l'intérieur du ventilateur de la hotte à aspiration descendante.
5. Mettez en place le filtre à graisse métallique.
6. Remettez le couvercle du filtre en place.

Nettoyage du filtre à graisse métallique

AVERTISSEMENT

Risque d'incendie !

Les dépôts se trouvant dans le filtre à graisse peuvent s'enflammer.

Nettoyer le filtre à graisse au moins tous les 2 mois.

Ne jamais faire fonctionner l'appareil sans son filtre à graisse.

Nettoyage au lave-vaisselle

Remarque : Le nettoyage au lave-vaisselle peut provoquer de légères décolorations. Cela n'influe en rien le fonctionnement du filtre à graisse métallique.

1. Placez librement le filtre à graisse métallique dans le lave-vaisselle avec l'ouverture vers le bas. Ne coincez pas le filtre à graisse métallique.
2. Ne nettoyez pas le filtre à graisse métallique fortement encrassé en même temps que la vaisselle.

Nettoyage à la main

1. Faites tremper le filtre à graisse métallique dans du produit de nettoyage chaud.
2. Nettoyez-le avec une brosse, puis rincez-le bien.
3. Laissez sécher le filtre à graisse métallique avant de le mettre en place.

Remarque : En présence de salissures tenaces, vous pouvez utiliser un dégraissant spécial. Il est possible de le commander à la boutique en ligne.


Changement des filtres à charbon actif (uniquement en cas de mode recyclage)

Les filtres à charbon actif lient les matières odorantes présentes dans la fumée de cuisson. Ils ne sont utilisés qu'en mode recirculation d'air.

Remplacez le filtre à charbon actif du module ventilateur à intervalles réguliers. Observez par conséquent l'indicateur de saturation de votre appareil.

Réinitialiser l'indicateur de saturation

Si l'indicateur de saturation du filtre à graisse métallique ou du filtre à charbon actif a clignoté, vous devez réinitialiser l'indicateur de saturation après le nettoyage ou le changement du filtre.

1. Enfoncez le bouton de commande et tournez-le vers la droite sur la position .
L'indicateur de saturation est réinitialisé. L'anneau lumineux derrière le bouton de commande clignote 3 fois en blanc. Un signal sonore retentit.
2. Tournez à nouveau le bouton de commande sur la position 0.

Vous pouvez laver le filtre à graisse métallique au lave-vaisselle ou à la main.

Dérangements, Que faire si...

AVERTISSEMENT

Risque de choc électrique !

Les réparations non-conformes sont source de danger. Les réparations doivent être faites exclusivement par un technicien après-vente formé par nos soins. Si l'appareil est défectueux, débranchez la fiche d'alimentation secteur ou désactivez le coupe-circuit concerné sur le tableau électrique. Appelez le service après-vente.

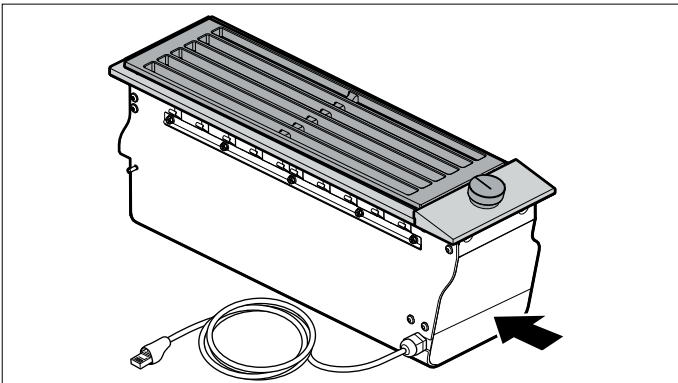
Un problème simple est souvent à la source d'une anomalie. Veuillez tenir compte des consignes figurant dans le tableau avant d'appeler le service après-vente.

Anomalie	Cause possible	Solution
L'appareil ne fonctionne pas	Aucune connexion au module ventilateur.	Vérifiez si la fiche du câble de jonction est correctement insérée.
	Panne de courant	Vérifiez si les autres appareils de cuisine fonctionnent.
	Fusible défectueux	Vérifiez dans le boîtier à fusibles si le fusible pour l'appareil est en bon état.
Après l'extinction, l'anneau lumineux clignote lentement 3 fois en blanc, un signal sonore retentit.	Le filtre à graisse métallique est saturé.	Nettoyez le filtre à graisse métallique. → <i>"Nettoyage et entretien" à la page 33</i>
Après l'extinction, l'anneau lumineux clignote rapidement 6 fois, un signal sonore retentit.	Le filtre à charbon actif du module ventilateur est saturé.	Remplacez le filtre à charbon actif du module ventilateur. → <i>"Nettoyage et entretien" à la page 33</i>
L'appareil s'éteint pendant le fonctionnement, l'anneau lumineux clignote en alternance en orange et en blanc	Coupure de sécurité : Aucune commande n'a été effectuée pendant une durée prolongée	Tournez le bouton de commande sur 0, puis rallumez si nécessaire
	L'appareil reste éteint après une panne de courant	Tournez le bouton de commande sur 0, puis rallumez si nécessaire
L'appareil fonctionne en mode automatique, l'anneau lumineux clignote en orange	Le capteur automatique est défectueux	Tournez le bouton de commande sur 0, puis rallumez si nécessaire Si, après la nouvelle mise sous tension, l'anneau lumineux clignote toujours, communiquez avec le service après-vente

Service après-vente

Si votre appareil doit être réparé, notre service après-vente est à votre disposition. Nous trouvons toujours une solution adaptée, y compris pour éviter les visites inutiles de techniciens.

Lors de votre appel, indiquez le numéro du produit (n° E) et le numéro de série (n° FD) afin que nous puissions vous donner une réponse précise. La plaquette d'identification comportant ces numéros se trouve sur le dessous de l'appareil.



Pour ne pas avoir à chercher longtemps en cas de besoin, vous pouvez inscrire ici les références de l'appareil et le numéro de téléphone du service après-vente.

N° E

N° FD

Service après-vente ☎

N'oubliez pas qu'en cas de fausse manœuvre, la visite d'un technicien d'après-vente n'est pas gratuite, même pendant la garantie.

Vous trouverez les données de contact pour tous les pays dans l'annuaire ci-joint du service après-vente.

Demande de réparation et conseils en cas de dysfonctionnement

CA 877 442 4436

toll-free

Contenido

▲ Definiciones de seguridad	38
------------------------------------	-----------

INSTRUCCIONES DE SEGURIDAD IMPORTANTES	39
---	-----------

Indicaciones generales	39
Seguridad para evitar incendios	39
Prevención de quemaduras	41
Seguridad de los niños	42
Seguridad en la limpieza	42
Seguridad durante su uso	43
Instalación y mantenimiento adecuados	43
Advertencia en virtud de la Proposición 65	46

Causas de daños	46
------------------------	-----------

Protección del medio ambiente	47
--------------------------------------	-----------

Modos de funcionamiento	47
--------------------------------	-----------

Funcionamiento con extracción de aire	47
Circulación del aire	47

Presentación del aparato	48
---------------------------------	-----------

Ventilación de la placa de cocción	48
Perilla de mando	48
Indicación en el anillo luminoso	48

Antes del primer uso	48
-----------------------------	-----------

Manejo del electrodoméstico	49
------------------------------------	-----------

Conectar	49
Apagar	49
Función de inercia	49
Nivel intensivo	49
Ventilación en intervalos	49
Funcionamiento automático	50
Indicador de saturación	50
Guía conductora de aire	50

Cuidados y limpieza	50
----------------------------	-----------

Limpiar el aparato	51
Montaje y desmontaje de los filtros metálicos para grasa	51
Limpiar los filtros metálicos para grasa	52
Reemplazar el filtro de carbono activo (solo en funcionamiento con recirculación de aire)	52
Restablecer el indicador de saturación	52

¿Qué hacer en caso de avería?	53
--------------------------------------	-----------

Servicio de atención al cliente	54
--	-----------

Encontrará más información sobre productos, accesorios, piezas de repuesto y servicios en internet: www.gaggenau.com y también en la tienda online: www.gaggenau.com/zz/store

⚠ Definiciones de seguridad

⚠ ADVERTENCIA

Esto indica que pueden producirse heridas graves o incluso la muerte si no se cumple con esta advertencia.

⚠ ATENCION

Esto indica que pueden producirse heridas leves o moderadas si no se cumple con esta advertencia.

AVISO

Esto indica que pueden producirse daños en el aparato o en los bienes si no se cumple con este aviso.

Nota: Esto alerta sobre información o sugerencias importantes.



INSTRUCCIONES DE SEGURIDAD IMPORTANTES

LEA Y CONSERVE ESTAS INSTRUCCIONES



ADVERTENCIA

Su nuevo electrodoméstico ha sido diseñado para ser seguro y confiable si recibe el cuidado adecuado. Lea atentamente todas las instrucciones antes de usarlo. Estas precauciones reducirán el riesgo de quemaduras, descarga eléctrica, incendio y lesiones a personas. Al utilizar electrodomésticos de cocina, se deben tomar precauciones de seguridad básicas, incluidas las que se encuentran en las páginas siguientes.

Indicaciones generales

Este electrodoméstico no fue diseñado para ser usado con un temporizador externo ni con un control remoto.

Tenga cuidado que no se introduzcan al equipo partes pequeñas o líquidos.

Comprobar el aparato después de desembalar si presenta daños visibles. En caso de daños de transporte no conectar el aparato.

No permita utilizar el aparato a personas adultas ni a los niños cuyas facultades físicas, sensoriales o mentales, así como su falta de conocimientos o de experiencia, les impida hacer un uso seguro del mismo si no están bajo vigilancia o han sido instruidos correctamente. No dejar jugar a los niños con el aparato o con el material de embalaje.

Seguridad para evitar incendios

Siempre tenga un detector de humo en funcionamiento cerca de la cocina.



ADVERTENCIA

¡Riesgo de incendio!

Si el extractor de tiro descendente se instala junto a un aparato de gas, debe utilizarse un deflector de gas (disponible como accesorio). Esto evita que la llama llegue a introducirse en el ventilador. Así, la llama del gas no podrá incendiar un filtro que esté impregnado de grasa.



ADVERTENCIA

PARA REDUCIR EL RIESGO DE INCENDIO OCASIONADO POR LA GRASA EN LA ESTUFA:

1. Nunca deje las unidades de la superficie sin vigilancia en valores altos. Los derrames por hervor producen humos y salpicaduras grasosas que pueden prenderse fuego. Caliente los aceites despacio a temperaturas bajas o medianas.
2. Siempre encienda la campana al cocinar a una temperatura alta.
3. Limpie los ventiladores extractores con frecuencia. No se debe permitir la acumulación de la grasa en el ventilador ni en el filtro.



INSTRUCCIONES DE SEGURIDAD IMPORTANTES

LEA Y CONSERVE ESTAS INSTRUCCIONES

- Use el tamaño de cacerola adecuado. Siempre use utensilios de cocina apropiados para el tamaño del elemento de la superficie.

No flambee alimentos bajo la campana no decorativa ni trabaje con la llama abierta. Cuando está encendida, la campana extractora atrae las llamas hacia el filtro. ¡Siempre existe el riesgo de incendio debido a los depósitos en el filtro de grasa!

ATENCION

Solo para la ventilación general. No utilizar para la extracción de sustancias y vapores peligrosos o explosivos.

No utilice ningún ventilador que tenga el cable o la clavija dañados. Deseche el ventilador o entréguelo a un taller autorizado para su inspección y/o reparación.

No tender el cable por debajo de moquetas. No tapar el cable con alfombras, felpudos ni similares. No pasar el cable por debajo de muebles o electrodomésticos. Tender el cable alejado de la zona de paso y en un lugar donde no implique peligro de tropiezo.

En el caso de que su ropa se prenda fuego, arrójese al piso y ruede de inmediato para extinguir las llamas.

Sofoque las llamas provocadas por alimentos que se prenden fuego, que no

sean incendios ocasionados por grasa, con bicarbonato de sodio. Nunca use agua en incendios ocasionados al cocinar.

ADVERTENCIA

PARA REDUCIR EL RIESGO DE LESIONES A PERSONAS EN CASO DE INCENDIO OCASIONADO POR GRASA EN LA ESTUFA, SIGA ESTAS INDICACIONES:

- SOFOQUE LAS LLAMAS con una tapa que ajuste correctamente, una placa para galletas u otra bandeja de metal; luego, apague la hornilla. ASEGÚRESE DE PREVENIR LAS QUEMADURAS. Si las llamas no se apagan de inmediato, EVACUE EL ÁREA Y LLAME AL DEPARTAMENTO DE BOMBEROS.
- NUNCA LEVANTE UNA OLLA EN LLAMAS ya que se puede quemar.
- NO USE AGUA, ni toallas o repasadores húmedos, ya que puede ocasionar una violenta explosión por vapor.
- Use un extinguidor SÓLO si:
 - Sabe que tiene un extinguidor Clase ABC y ya sabe cómo usarlo.
 - El incendio es pequeño y se limita al área donde se originó.
 - Alguien llamó al departamento de bomberos.
 - Puede combatir el incendio de espaldas a una salida.

INSTRUCCIONES DE SEGURIDAD IMPORTANTES

LEA Y CONSERVE ESTAS INSTRUCCIONES

Tenga un extinguidor de incendio disponible, cerca, en un área fácilmente visible y accesible, cerca del electrodoméstico.

Si es posible, no ponga el sistema de ventilación en funcionamiento si hay un incendio en la placa. Pero no atravesie el fuego con la mano para apagarla.

ADVERTENCIA

¡Peligro de incendio!

Los depósitos de grasa en el filtro de grasa se pueden incendiar.

Limpie el filtro de grasa por lo menos cada dos meses.

Nunca haga funcionar el equipo sin filtro de grasa.

ADVERTENCIA

¡Peligro de incendio!

Los depósitos de grasa en el filtro de grasa se pueden incendiar. Nunca trabaje con flama abierta cerca del equipo (por ejemplo con platillos flameados). Solamente instale el equipo cerca de un fogón para sustancias sólidas (p. ej. madera o carbón) si está disponible una cubierta cerrada que no se pueda quitar. No deben volar las chispas.

ADVERTENCIA

¡Riesgo de incendio!

Los quemadores de gas en los que no se haya colocado ningún recipiente para cocinar encima, generan gran cantidad de calor durante su funcionamiento. Eso puede dañar o incendiar el aparato de ventilación situado encima. Utilizar los quemadores de gas únicamente colocando encima recipientes para cocinar.

ADVERTENCIA

¡Peligro de incendio!

El aceite y la grasa calientes son altamente inflamables. Nunca deje aceite ni grasa calientes sin supervisión. Nunca extinga un incendio con agua. Apague la zona de cocina. Sofoque las llamas con cuidado con una tapa, una manta ignífuga o un objeto similar.

Prevención de quemaduras

ADVERTENCIA

¡Riesgo de quemaduras!

Al estar en funcionamiento, las partes accesibles se calientan mucho. Nunca toque las partes calientes. Mantenga alejados a los niños.



INSTRUCCIONES DE SEGURIDAD IMPORTANTES

LEA Y CONSERVE ESTAS INSTRUCCIONES

Seguridad de los niños

Cuando los niños tienen la edad adecuada para utilizar el electrodoméstico, es responsabilidad de los padres o tutores legales asegurarse de que reciban las instrucciones sobre prácticas seguras por parte de personas calificadas.

Retire toda la cinta y el embalaje antes de usar el electrodoméstico. Destruya el embalaje después de desembalar el electrodoméstico. Nunca deje que los niños jueguen con el material de embalaje.

No deje que nadie se suba, pare, incline, sienta o cuelgue de cualquier parte de un electrodoméstico, especialmente una puerta, cajón calentador o cajón para almacenamiento. Esto puede dañar el electrodoméstico, y la unidad puede caerse y, posiblemente, causar lesiones graves.

No permita que niños utilicen este electrodoméstico, a menos que sean supervisados de cerca por un adulto. Los niños y las mascotas no deben quedar solos o sin vigilancia en el área donde se utilice el electrodoméstico. Nunca se les debe permitir jugar cerca del electrodoméstico, independientemente de que esté en funcionamiento o no.



ATENCIÓN

Los objetos de interés para niños no deben almacenarse en un electrodoméstico, en gabinetes sobre un electrodoméstico ni en la placa antisalpicaduras. Si los niños se suben a un electrodoméstico para alcanzar estos objetos, podrían sufrir lesiones graves.

Seguridad en la limpieza



ADVERTENCIA

Asegúrese de que todo el electrodoméstico (incluidos los filtros de grasa y los focos, si corresponde) se haya enfriado y la grasa se haya solidificado antes de intentar limpiar cualquier parte del electrodoméstico.



ADVERTENCIA

¡Peligro de quemaduras, peligro de descarga eléctrica!

Por el propio aparato. Antes de limpiar o realizar el mantenimiento del aparato, dejar que se enfríe. Desactivar el fusible o desenchufar la clavija de red.

No use limpiadores a vapor para limpiar el aparato.



INSTRUCCIONES DE SEGURIDAD IMPORTANTES

LEA Y CONSERVE ESTAS INSTRUCCIONES



ATENCIÓN

Daños en el aparato

No retirar las manetas de mando o bien botones giratorios para su limpieza.



ADVERTENCIA

¡Peligro de lesiones, peligro de daños materiales!

Debido a la colocación de objetos encima del aparato. No colocar nunca objetos encima del aparato.

Seguridad durante su uso



ADVERTENCIA

No reparar, sustituir ni quitar ninguna pieza del electrodoméstico a menos que se recomiende de forma específica en los manuales. Una instalación, servicio o mantenimiento inadecuados pueden causar lesiones o daños materiales. Consultar este manual para recibir ayuda. Todos los demás servicios debe realizarlos un agente autorizado.



ADVERTENCIA

¡Peligro de lesiones!

El aislamiento del cable de los electrodomésticos podrían fundirse. No colocar nunca el cable de conexión sobre una placa de cocción caliente.



ADVERTENCIA

¡Peligro de quemaduras!

A causa del calentamiento del aparato al utilizar utensilios de cocción. Mantener fuera del alcance de los niños y prestar atención a que se utilice correctamente.



ADVERTENCIA

¡Peligro de incendio!

¡Un exceso de grasa en los filtros significa peligro de incendio! No dejar desatendido nunca al freír o asar junto al aparato. Asegurarse de limpiar la grasa del filtro de forma regular.

Instalación y mantenimiento adecuados

Pídale al instalador que le muestre la ubicación del disyuntor o el fusible. Márquela para recordarla más fácilmente.

Este electrodoméstico debe ser correctamente instalado y conectado a tierra por un técnico calificado. Conéctelo sólo a una toma de corriente eléctrica correctamente conectada a

INSTRUCCIONES DE SEGURIDAD IMPORTANTES

LEA Y CONSERVE ESTAS INSTRUCCIONES

tierra. Para obtener más información, consulte las Instrucciones de instalación.

Este electrodoméstico ha sido diseñado para uso doméstico normal únicamente. No está aprobado para uso en exteriores. Consulte la Declaración de Garantía limitada del Producto. Si tiene alguna pregunta, comuníquese con el fabricante.

No almacene ni utilice productos químicos corrosivos, vapores, materiales inflamables ni productos no alimenticios dentro de este electrodoméstico ni cerca de él. Está específicamente diseñado para calentar o cocinar alimentos. El uso de productos químicos corrosivos al calentar o limpiar dañará el electrodoméstico y podría causar lesiones.

No utilice este electrodoméstico si no funciona correctamente o si ha sido dañado. Comuníquese con un centro de servicio técnico autorizado.

No repare ni cambie ninguna parte del electrodoméstico, a menos que se recomiende específicamente en este manual. Remita todas las reparaciones a un centro de servicio técnico autorizado por la fábrica.

ATENCION

La grasa acumulada en los filtros puede volver a derretirse y entrar en la abertura de ventilación.



Las superficies ocultas pueden tener bordes filosos. Proceda con cuidado al intentar tomar el electrodoméstico por la parte trasera o desde abajo.

ADVERTENCIA

Cuando se utiliza la campana en modo de aire de escape simultáneamente con un quemador diferente que también usa la misma chimenea (como calentadores a gas, aceite o carbón, calentadores de flujo continuo, calentadores de agua) se debe asegurar que haya un suministro de aire fresco suficiente para las necesidades de combustión del quemador.

La operación segura es posible siempre que la subpresión de la habitación donde está instalado el quemador no supere los 4 Pa (0.04 mbar).

Esto es posible si el aire de combustión puede circular a través de aberturas que no puedan trabarse, como ser en puertas y ventanas, y a través de cajas de entrada/salida de aire en la pared, o mediante otras medidas técnicas, como enclavamiento recíproco, etc.

INSTRUCCIONES DE SEGURIDAD IMPORTANTES

LEA Y CONSERVE ESTAS INSTRUCCIONES

ADVERTENCIA

Evite la intoxicación por monóxido de carbono: proporcione una entrada de aire suficiente para que los gases de la combustión no vuelvan a ingresar en la habitación.

Una caja de entrada/salida de aire en la pared por sí sola no garantiza que no se superará el valor límite.

Nota: Al evaluar el requisito total, se debe tener en cuenta el sistema de ventilación combinado para todo el hogar. Esta norma no se aplica al uso de aparatos de cocina, como parrillas y hornos.

ADVERTENCIA

¡Peligro de intoxicación y de muerte!
Debido a gases de combustión aspirados. No utilizar nunca el aparato en el modo de extracción simultáneamente con un hogar que funcione con aire ambiente si no existe una entrada de aire suficiente.

Los hogares que funcionan con aire ambiente (p.ej. estufas de gas, gasóleo, madera o carbón, calentadores de salida libre, calderas de agua caliente sanitaria) adquieren el aire de combustión del lugar de instalación y expulsan los gases de escape al exterior por medio de un sistema de salida de gases (p.ej. una chimenea).

Cuando hay encendida una campana extractora, el aire se extrae de la cocina y de las habitaciones colindantes, y si no existe una entrada de aire suficiente se genera una depresión. Si ello sucede, los gases tóxicos de la chimenea o el canal de extracción se devolverán al interior de la vivienda.

- Por este motivo, debe asegurarse siempre una ventilación suficiente.
- La sola presencia de un canal de entrada y salida de aire en la pared no garantiza el cumplimiento de los límites.

ADVERTENCIA

¡Peligro de descarga eléctrica!
debido a daños en el cable de conexión. Durante la instalación, tener mucho cuidado de que el cable de conexión no se doble ni quede atrapado.

ADVERTENCIA

¡Peligro de quemadura, peligro de lesiones!
debido a daños en el cable de conexión. El cable de conexión dañado lo ha de reponer un técnico (instalador eléctrico) autorizado.

⚠ ADVERTENCIA

¡Riesgo de lesiones!

Existe riesgo de sufrir lesiones por bordes afilados durante la instalación. Utilizar siempre guantes de protección durante la instalación del aparato.

**Advertencia en virtud de la
Proposición 65:**

Este producto puede contener un químico que el Estado de California reconoce como potencialmente cancerígeno o causante de daños reproductivos. Por tanto, su producto debe llevar en su embalaje la siguiente etiqueta de conformidad con la legislación de California:

ADVERTENCIA EN VIRTUD DE LA PROPOSICIÓN 65 DEL
ESTADO DE CALIFORNIA:

⚠ ADVERTENCIA

Cáncer y daño reproductivo - www.P65Warnings.ca.gov

Causas de daños

⚠ ATENCION

Peligro de daños por humedad que penetre en el sistema eléctrico. Nunca limpie los elementos de operación con trapos mojados.

⚠ ATENCION

Daño en la superficie por productos de limpieza agresivos o por frotación. Nunca use productos de limpieza agresivos o por frotación.

Protección del medio ambiente

Saque el equipo de su empaque y elimine éste de forma ecológica.

Modos de funcionamiento

Este aparato se puede ajustar, en función del ventilador modular activado, con salida de aire o en funcionamiento con recirculación de aire.

Funcionamiento con extracción de aire



El aire aspirado se limpia con los filtros de grasa y se canaliza hacia el aire libre a través de un sistema de tubos.

Nota: La emisión de los gases no se debe canalizar hacia una chimenea de humo o de gases de escape que esté en funcionamiento, ni hacia un tiro que sirva para sacar el aire de las habitaciones donde haya equipos con fuego.

- Si los gases de escape se van a canalizar hacia una chimenea de humo o de gases de escape que no esté en funcionamiento, se tiene que conseguir la aprobación del especialista en chimeneas correspondiente.
- Si las emisiones de gases se canalizan a través del muro externo, se tiene que utilizar una caja telescópica para muros.

Circulación del aire

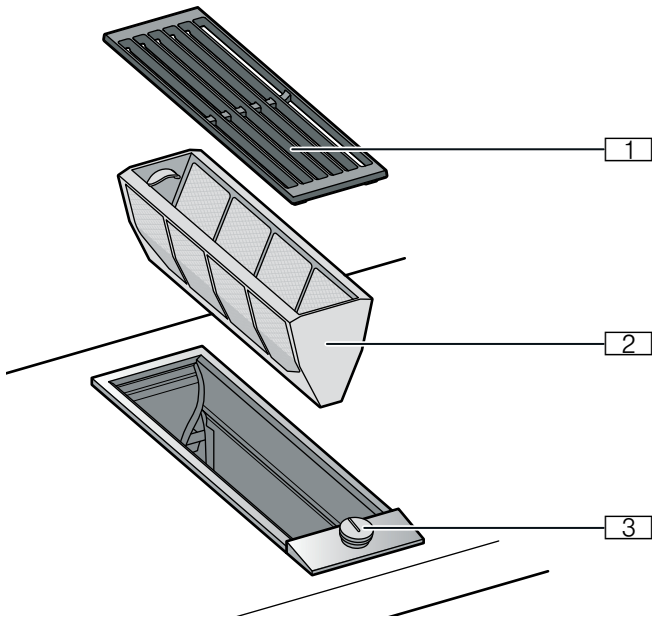


El aire aspirado se limpia con un filtro de grasas y un filtro de carbón activado, y se vuelve a canalizar hacia la cocina.

Nota: Para controlar los olores en el aire en circulación se tiene que instalar un filtro de carbón activado. Las diferentes posibilidades de operar el equipo con circulación de aire las puede consultar de la información del folleto, o consultando a su distribuidor autorizado. Los accesorios necesarios para ello los puede conseguir en el comercio especializado, en el departamento de servicio al cliente, o en la tienda en línea.

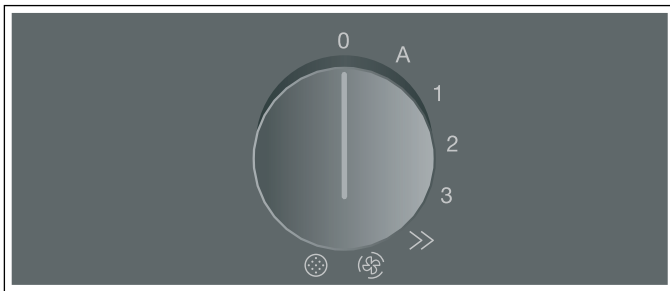
Presentación del aparato

Ventilación de la placa de cocción



- 1 Tapa del filtro
- 2 Filtro metálico antigrasa
- 3 Perilla de control

Perilla de mando



Símbolo	Explicación
0	Apagar el aparato
A	Activar funcionamiento automático
1	Conectar el nivel 1 del ventilador
2	Conectar el nivel 2 del ventilador
3	Conectar el nivel 3 del ventilador
>>	Encender el nivel intensivo del ventilador
	Activar la ventilación en intervalos
	Restablecer el indicador de saturación

Indicación en el anillo luminoso

La perilla de control dispone de un anillo luminoso con distintas opciones de indicación.


Display	Significado
○ Apagado	Aparato APAGADO
● Iluminado en: naranja	Aparato ENCENDIDO
☀ Desactivación del aparato, parpadeo lento: blanco, 3 veces	Indicador de saturación del filtro de metal antigrasa
☀ Desactivación del aparato, parpadeo rápido: blanco, 6 veces	Indicador de saturación del filtro de carbón activo
☀ Parpadeo: naranja	Falla del aparato Llamar al servicio de atención al cliente.

Antes del primer uso

Limpiar a fondo el aparato y los accesorios antes del primer uso.

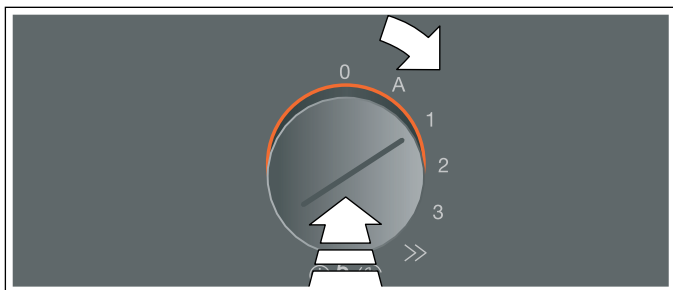
Manejo del electrodoméstico

Conectar

Para la aspiración se dispone de funcionamiento automático, tres niveles de ventilación, nivel intensivo >> y ventilación a intervalos .

Presionar y girar la perilla de control hacia la derecha hasta seleccionar el nivel de ventilación deseado.

El anillo luminoso situado detrás de la perilla de control se ilumina en naranja.



Apagar

Girar la perilla de control hacia la izquierda, hasta la posición 0.

Función de inercia

Nota: La función de marcha en inercia solo se inicia si se ha conectado el aparato durante al menos dos minutos.

La función de marcha en inercia hace que el sistema de ventilación siga funcionando unos minutos después de desconectarlo. El anillo luminoso situado detrás del mando de control parpadea en naranja. De este modo, se elimina el vapor de cocina que aún quede. A continuación, el aparato se apaga automáticamente.

En funcionamiento automático, el aparato se apaga siempre si se gira el mando de control hasta la posición 0.

Desconectar la función de marcha en inercia antes de tiempo:

Girar el mando de control hacia la derecha hasta la posición **A**. El anillo luminoso situado detrás del mando de control se apaga brevemente y, a continuación, se ilumina en naranja. Suena un tono de aviso. A continuación, girar el mando de control hasta la posición 0.

Nivel intensivo

Activar el nivel intensivo si se generan muchos olores o vapor. En este caso, el aparato funciona a la máxima potencia durante un breve periodo de tiempo. Transcurridos aprox. 6 minutos, regresa automáticamente al nivel de potencia 3.

Conexión

Presionar y girar la perilla de control hacia la derecha hasta la posición >>.

El nivel intensivo está activado. El anillo luminoso situado detrás de la perilla de control se apaga brevemente y a continuación, se ilumina en naranja. Suena un tono de aviso.

Nota: La duración del nivel intensivo es de 6 minutos. Una vez transcurrido este tiempo, el aparato vuelve al nivel de ventilador 3. Suena un tono de aviso. La perilla de control se mantiene en la posición >>. El anillo luminoso situado detrás de la perilla de control se apaga brevemente y a continuación, se ilumina en naranja.

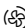
Desconexión

Girar la perilla de control hacia la izquierda, hasta la posición 0.

Ventilación en intervalos

Con la ventilación en intervalos, se enciende el ventilador automáticamente en el nivel 1 durante 6 minutos cada hora.

Conexión

Presionar y girar la perilla de control hacia la derecha hasta la posición .

Se activa la ventilación en intervalos. El anillo luminoso situado detrás de la perilla de control se ilumina en naranja mientras está activada la ventilación.

Desconexión

Girar la perilla de control hacia la izquierda, hasta la posición 0.

Funcionamiento automático

Durante el funcionamiento automático, un sensor situado en el aparato detecta la intensidad de los olores de cocción y asado. El aparato selecciona automáticamente el nivel de ventilador correspondiente.

Conexión

Presionar y girar la perilla de control hacia la derecha hasta la posición **A**.

El funcionamiento automático se habrá activado.

El nivel de ventilador óptimo 1, 2, 3 o nivel intensivo se ajusta automáticamente mediante un sensor. El anillo luminoso situado detrás de la perilla de control se ilumina en naranja mientras está activada la ventilación.

El tiempo de funcionamiento del modo automático es de 8 horas como máximo.

Desconexión

Girar la perilla de control hacia la izquierda, hasta la posición 0.

Indicador de saturación

En caso de saturación del filtro de metal antigrasa o del filtro de carbón activo (solo en funcionamiento con recirculación de aire), tras apagar el aparato suena un tono de aviso y el anillo luminoso de la perilla de control parpadea:

- **Filtro de metal antigrasa:** 3 veces, blanco, parpadeo lento
- **Filtro de carbón activo:** 6 veces, blanco, parpadeo rápido

En este momento, debe limpiarse el filtro de metal antigrasa o sustituir o regenerar el filtro de carbón activo. → "Cuidados y limpieza" en la página 50

Guía conductora de aire

En caso de que la ventilación de la placa de cocción se ponga en funcionamiento al lado de un aparato de gas, para cocinar debe colocarse sobre el aparato una guía de conducción de aire LS 041 001.

La guía de conducción de aire mejora el comportamiento de aspiración en los aparatos de gas y evita que se apaguen las llamas pequeñas a causa de corrientes de aire.

Cuidados y limpieza

⚠ ADVERTENCIA

¡Peligro de quemaduras!

El aparato se calienta cuando está en marcha. Antes de limpiar el aparato, dejar que se enfríe.

⚠ ADVERTENCIA

¡Peligro de descarga eléctrica!

La humedad penetrante puede causar una descarga eléctrica. No use una hidrolavadora ni un limpiador por vapor.

⚠ ADVERTENCIA

¡Peligro de lesiones!

Los componentes dentro del equipo pueden tener bordes filosos. Utilice guantes protectores.

AVISO

Daños en la superficie

No utilice estos productos de limpieza

- Limpiadores agresivos o por fregado
- Limpiadores de horno
- Limpiadores cáusticos, clorados o agresivos
- Limpiadores que contengan mucho alcohol
- Esponjas de lavado muy rígidas, cepillos duros o fibras duras que produzcan rayaduras

Si llega a caer en el equipo un producto de este tipo, enjuáguelo de inmediato con agua.

¡Siempre lave a fondo los trapos de esponja antes de usarlos!

Nota: Utilizar poca cantidad de agua para la limpieza, ya que no debe penetrar agua en el aparato.

Limpiar el aparato

Nota: Antes de la limpieza, quitarse cualquier joya de las manos y los brazos.

Para garantizar el nivel de absorción de grasa, se debe limpiar regularmente el filtro antigrasa.

Limpiar el aparato una vez que se haya enfriado. Eliminar de inmediato los derrames y no permitir que se sequen los restos de comida.

Limpiar también el interior de la ventilación para placa de cocción a menudo con un paño húmedo.

Elemento/ superficie	Limpieza recomendada
Bastidor del aparato	<p>Agua con un poco de jabón. Secar seguidamente con un paño suave. Utilizar poca cantidad de agua para la limpieza, ya que no debe penetrar agua en el aparato.</p> <p>Limpiar las zonas secas con un poco de agua con detergente y no restregar.</p>
Rejilla de ventilación	<p>Retirla con cuidado para la limpieza. Agua con un poco de jabón. Secar seguidamente con un paño suave.</p> <p>La rejilla de ventilación también se puede lavar en el lavavajillas. De este modo, es posible que la rejilla de ventilación se decolore. Esto no afecta a su uso.</p>
Panel de control	<p>Agua con un poco de jabón. No humedecer el paño en exceso. Secar con un paño suave.</p> <p>Retirar de inmediato del panel de control los alimentos ácidos (por ejemplo, vinagre, ketchup, mostaza, escabeche o zumo de limón).</p>
Perilla de control	<p>Utilizar agua con un poco de jabón y no humedecer el trapo en exceso. Secar con un paño suave.</p>

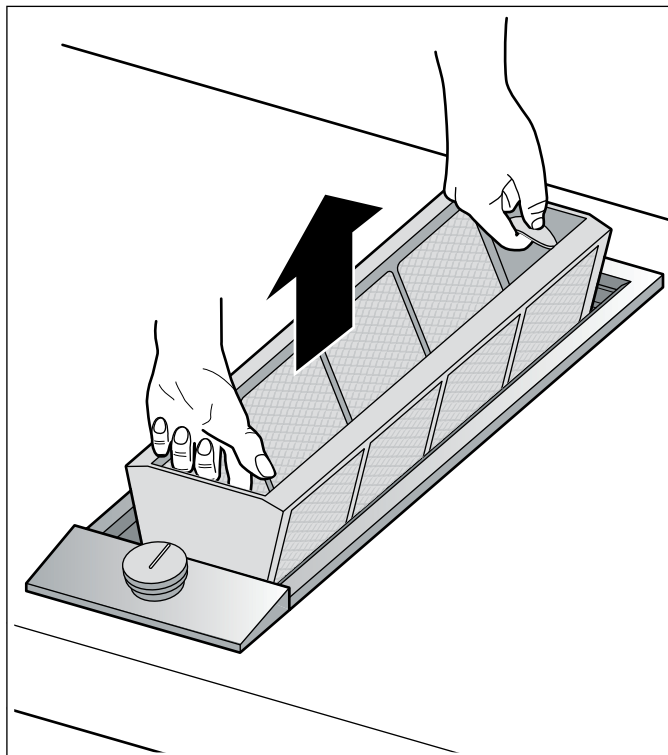
⚠ ATENCION

Daños en el aparato

No retirar la perilla de control para limpiarla.

Montaje y desmontaje de los filtros metálicos para grasa

1. Retirar la tapa del filtro.
2. Extraer el filtro de metal antigrasa del aparato jaando hacia arriba.



3. Limpiar el filtro de metal antigrasa y la tapa del filtro.
4. Limpiar el interior de la ventilación para placa de cocción.
5. Colocar el filtro de metal antigrasa.
6. Colocar la tapa del filtro.

Limpiar los filtros metálicos para grasa

ADVERTENCIA

¡Peligro de incendio!

Los depósitos de grasa en el filtro de grasa se pueden incendiar.

Limpe el filtro de grasa por lo menos cada dos meses.

Nunca haga funcionar el equipo sin filtro de grasa.

Los filtros de metal antigrasa se pueden limpiar a mano o en el lavavajillas.

Limpeza en el lavavajillas

Nota: La limpieza en el lavavajillas podría conllevar ligeras decoloraciones. Esto no afecta al funcionamiento del filtro de metal antigrasa.

1. Colocar el filtro de metal antigrasa con la abertura hacia abajo en el lavavajillas. No presionar el filtro de metal antigrasa.
2. No lavar los filtros de metal antigrasa junto con el resto de la vajilla si están muy sucios.

Limpeza a mano

1. Sumergir el filtro de metal antigrasa en agua caliente con un poco de jabón.
2. Limpiar con un cepillo y enjuagar bien.
3. Dejar secar el filtro de metal antigrasa antes de la instalación.

Nota: En caso de suciedad fuertemente incrustada, se puede utilizar un disolvente de grasa especial. Se puede solicitar a través de la tienda en línea.


Reemplazar el filtro de carbono activo (solo en funcionamiento con recirculación de aire)

Los filtros de carbón activo retienen los olores de los vapores generados al cocinar. Se utilizan solo en el funcionamiento con recirculación de aire.

El filtro de carbón activo del ventilador modular debe sustituirse a intervalos regulares. Para ello, observar el indicador de saturación del aparato.

Restablecer el indicador de saturación

En caso de que el indicador de saturación para el filtro antigrasa o el filtro de carbón activo parpadee, se debe restablecer el indicador de saturación tras la limpieza o el cambio del filtro.

1. Presionar y girar la perilla de control hacia la derecha hasta la posición .

El indicador de saturación se ha restablecido. El anillo luminoso situado detrás de la perilla de control parpadea 3 veces en blanco. Suena un tono de aviso.

2. Volver a girar la perilla de control hasta la posición 0.

¿Qué hacer en caso de avería?

ADVERTENCIA

¡Peligro de descarga eléctrica!

Las reparaciones incorrectas son peligrosas. Solo puede realizar reparaciones uno de nuestros técnicos capacitados de Servicio al Cliente. Si el electrodoméstico está defectuoso, desconecte el enchufe o desconecte el fusible en la caja de fusibles. Llame al Servicio al Cliente.

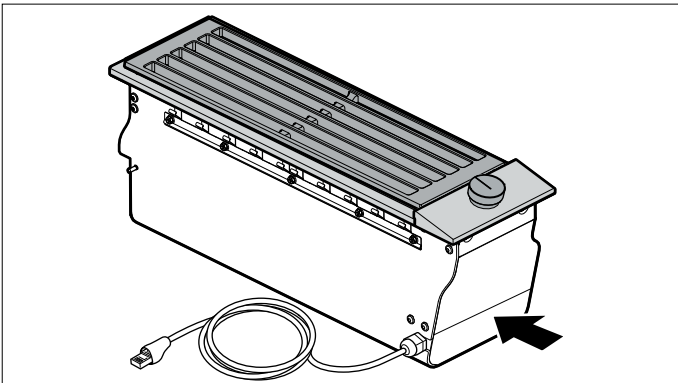
Oft liegt es nur an einer Kleinigkeit, wenn eine Störung auftritt. Antes de llamar al servicio de atención al cliente, deben tenerse en cuenta las indicaciones de la tabla.

Falla	Posible causa	Solución
El aparato no funciona	Ninguna conexión con el ventilador modular.	Comprobar si el enchufe del cable de conexión se ha introducido correctamente.
	Interrupción en el suministro eléctrico	Comprobar si los demás aparatos de cocina funcionan
	Fusible defectuoso	Comprobar en la caja de fusibles si el fusible del aparato funciona correctamente
El anillo luminoso parpadea lentamente 3 veces en blanco tras la desconexión y suena un tono de aviso.	El filtro de metal antigrasa está saturado.	Limpiar el filtro de metal antigrasa. → <i>"Cuidados y limpieza" en la página 50</i>
El anillo luminoso parpadea rápidamente 6 veces en blanco tras la desconexión y suena un tono de aviso.	El filtro de carbón activo del ventilador modular está saturado.	Cambiar el filtro de carbón activo del ventilador modular. → <i>"Cuidados y limpieza" en la página 50</i>
Cuando el aparato se apaga, el anillo luminoso parpadea alternando entre naranja y blanco.	Desconexión de seguridad: Ha transcurrido mucho tiempo sin realizar ninguna acción	Girar la perilla de control hasta 0 y después, en caso necesario, volver a encender.
	Tras una interrupción de corriente, el aparato se queda apagado.	Girar la perilla de control hasta 0 y después, en caso necesario, volver a encender.
El aparato funciona en modo automático; el anillo luminoso parpadea en naranja	El sensor automático está defectuoso	Girar la perilla de control hasta 0 y después, en caso necesario, volver a encender.
		Si el anillo luminoso parpadea después de volver a encenderlo, contactar con el servicio de atención al cliente

Servicio de atención al cliente

Si su aparato necesita una reparación, nuestro servicio de atención al cliente estará encantado de ayudarle. Siempre encontramos la solución adecuada, incluso para evitar visitas innecesarias de los técnicos.

Cuando llame por teléfono, indique la referencia del producto (Nº E) y el número de fabricación (Nº FD) para que podamos ofrecerle un servicio cualificado. La placa de identificación con los números correspondientes los encontrará en la parte inferior del aparato.



Para evitar tener que buscar los datos de su aparato cuando los precise, es aconsejable anotarlos aquí conjuntamente con el número de teléfono del Servicio de atención al cliente.

Nº E.

Nº FD.

Servicio de atención al cliente ☎

Tenga en cuenta que la visita del técnico del servicio de atención al cliente no es gratuito en caso de que el mal funcionamiento sea debido a un manejo incorrecto del aparato.

Las señas de las delegaciones internacionales figuran en la lista adjunta de centros y delegaciones del Servicio de Asistencia Técnica Oficial.

Solicitud de reparación y asesoramiento en caso de averías

US 877 442 4436
toll-free

BSH Home Appliances Corporation
1901 Main Street, Suite 600
Irvine, CA 92614
USA
www.gaggenau.com
1-877-442-4436
© 2022 BSH Home Appliances Corporation

GAGGENAU



9001454274 en-us, es-mx, fr-ca (021024)