

Gaggenau

Use and care manual 2

Notice d'utilisation 22

Manual de instrucciones 43

**VG 295 250 CA**

**VG 295 150 CA**

Gas cooktop

Table de cuisson gaz

Encimera a gas

---

# Table of Contents

---

<b>▲ Safety Definitions</b>	<b>3</b>
<b>IMPORTANT SAFETY INSTRUCTIONS</b>	<b>4</b>
Fire Safety	6
Gas Safety	7
Burn Prevention	9
Child Safety	9
Cleaning Safety	10
Cookware Safety	10
Proper Installation and Maintenance	10
Proposition 65 Warning	11
<b>Causes of Damage</b>	<b>12</b>
<b>Environmental protection</b>	<b>12</b>
Saving energy	12
<b>Getting to know your appliance</b>	<b>13</b>
Gas cooktop	13
Display on the illuminated ring	13
Special accessories	13
Individual parts of the burner	14
Individual parts of the wok burner	14
<b>Operating the appliance</b>	<b>15</b>
Turning on	15
Lighting manually	15
Thermo-electric flame monitoring	15
Turning off	16
Residual heat display	16
<b>Table of settings and tips</b>	<b>16</b>
Tips for cooking and roasting	16
Tips for using a wok	17
<b>Notes regarding cookware</b>	<b>17</b>
Appropriate Cooking Vessels	17
Information for Use	17
<b>Cleaning and maintenance</b>	<b>18</b>
Cleaning the appliance	19
Burnt-on dirt	19
Discoloration of the burners	19

<b>Faults – What to Do?</b>	<b>20</b>
<b>Customer Service</b>	<b>21</b>

Additional information on products, accessories, replacement parts and services can be found at [www.gaggenau.com](http://www.gaggenau.com) and in the online shop [www.gaggenau.com/zz/store](http://www.gaggenau.com/zz/store)

---

**⚠ Safety Definitions**

---

---

**⚠ WARNING**

---

This indicates that death or serious injuries may occur as a result of non-observance of this warning.

---

---

**⚠ CAUTION**

---

This indicates that minor or moderate injuries may occur as a result of non-observance of this warning.

---

---

***NOTICE***

---

This indicates that damage to the appliance or property may occur as a result of non-compliance with this advisory.

---

**Note:** This alerts you to important information and/or tips.



# IMPORTANT SAFETY INSTRUCTIONS

READ AND SAVE THESE INSTRUCTIONS

## **⚠ WARNING:**

If the information in these instructions is not followed exactly, a fire or explosion may result causing property damage, personal injury or death.

- Do not store or use gasoline or other flammable vapors and liquids in the vicinity of this or any other appliance.
- **WHAT TO DO IF YOU SMELL GAS**
  - Do not try to light any appliance.
  - Do not touch any electrical switch.
  - Do not use any phone in your building.
  - Immediately call your gas supplier from a neighbor's phone. Follow the gas supplier's instructions.
  - If you cannot reach your gas supplier, call the fire department.
- Installation and service must be performed by a qualified installer, service agency or the gas supplier.



# **IMPORTANT SAFETY INSTRUCTIONS**

READ AND SAVE THESE INSTRUCTIONS

## **⚠ WARNING:**

**Never Operate the Top Surface Cooking Section of this Appliance Unattended**

- **Failure to follow this warning statement could result in fire, explosion, or burn hazard that could cause property damage, personal injury, or death.**
- **If a fire should occur, keep away from the appliance and immediately call your fire department.**

**DO NOT ATTEMPT TO EXTINGUISH AN OIL/GREASE FIRE WITH WATER.**



# IMPORTANT SAFETY INSTRUCTIONS

READ AND SAVE THESE INSTRUCTIONS

## Fire Safety

Save these instructions.

Set the burner control so that the flame does not extend beyond the bottom of the pan.

If the cooktop is near a window, forced air vent or fan, be certain that flammable materials such as window coverings do not blow over or near the burners or elements. They could catch on fire.

Always have a working smoke detector near the kitchen.

In the event that personal clothing or hair catches fire, drop and roll immediately to extinguish flames.

Smother flames from food fires other than grease fires with baking soda. Never use water on cooking fires.

Take care that drafts like those from fans or forced air vents do not push the flames so that they extend beyond the edges of the pan.

Have an appropriate fire extinguisher available, nearby, highly visible and easily accessible near the appliance.



## WARNING

TO REDUCE THE RISK OF A GREASE FIRE:

1. Never leave surface units unattended at high settings. Boilovers cause smoking and greasy spillovers that may ignite. Heat oils slowly on low or medium settings.
  2. Always turn hood ON when cooking at high heat or when flambéing food (i.e. Crepes Suzette, Cherries Jubilee, Peppercorn Beef Flambé).
  3. Clean ventilating fans frequently. Grease should not be allowed to accumulate on fan or filter.
  4. Use proper pan size. Always use cookware appropriate for the size of the surface element.
-



# IMPORTANT SAFETY INSTRUCTIONS

READ AND SAVE THESE INSTRUCTIONS



---

## WARNING

TO REDUCE THE RISK OF INJURY TO PERSONS IN THE EVENT OF A GREASE FIRE, OBSERVE THE FOLLOWING:

1. **SMOTHER FLAMES** with a close-fitting lid, cookie sheet, or metal tray, then turn off the burner. **BE CAREFUL TO PREVENT BURNS.** If the flames do not go out immediately, **EVACUATE AND CALL THE FIRE DEPARTMENT.**
2. **NEVER PICK UP A FLAMING PAN**
  - You may be burned.
3. **DO NOT USE WATER**, including wet dishcloths or towels – a violent steam explosion will result.
4. Use an extinguisher **ONLY** if:
  - You know you have a Class ABC extinguisher, and you already know how to operate it.
  - The fire is small and contained in the area where it started.
  - The fire department is being called.
  - You can fight the fire with your back to an exit.

---

Whenever possible, do not operate the ventilation system during a cooktop fire. However, do not reach through fire to turn it off.

## Gas Safety

To prevent carbon monoxide build-up, do not block appliance air vents.

Have the installer show you where the gas shut-off valve is located

For proper burner performance, keep igniters clean and dry.

If a burner goes out and gas escapes, open windows and doors. Wait until gas dissipates before using the appliance.



---

## WARNING

Cooking with gas can release small amounts of certain by-products, such as carbon monoxide, benzene, formaldehyde, nitrogen oxides (including nitrogen dioxide), and particulate matter / soot. To minimize exposure to these substances:

- Always ensure proper ventilation by using an appropriate ventilation fan or hood vented to the outside and/or an open window.
  - Always operate the unit according to the instructions in this manual.
  - If applicable, the burners should be verified by a certified installer or agency to ensure proper combustion.
-

# IMPORTANT SAFETY INSTRUCTIONS

READ AND SAVE THESE INSTRUCTIONS

---

## WARNING

Overheated materials can cause fire or burns and may produce potentially harmful smoke or fumes.

- To prevent overheating, turn ventilation hood ON when heating grease, fats or frying using medium to high heat settings.
- Avoid heating empty pots and pans.
- Do not allow pans to boil dry.
- Do not allow aluminum foil, plastic, paper, or cloth to come in contact with a hot surface element, burner, or grate.

---

## WARNING

Never leave the cooktop unattended when in use. Unattended cooking on a cooktop with fat or oil can be dangerous and may result in a fire. Boilovers cause smoking, and greasy spillovers may ignite.

---

## WARNING

All igniters spark when any single burner is turned on. Do not touch any of the burners when the cooktop is in use.

If you smell gas, your installer has not done a proper job of checking for leaks. If the connections are not perfectly tight, you can have a small leak and, therefore, a faint smell. Finding a gas leak is not a

“do-it-yourself” procedure. Some leaks can only be found with the burner control in the ON position and this must be done by a qualified service technician. See Warning, page 4.

---

## WARNING

To prevent flare-ups all grates must be properly positioned on the cooktop whenever the cooktop is in use. Each of the feet must be placed into the corresponding dimples in the cooktop. Do not use a grate if the rubber feet are missing or damaged.

Keep the igniter ports clean for proper lighting performance of the burners. It is necessary to clean these when there is a boilover or when the burner does not light even though the electronic igniters click.

---

## WARNING

To prevent flare-ups do not use the cooktop without all burner caps and all burner grates properly positioned.

---

## WARNING

Do not clean or touch any of the burners when an extra low burner (if equipped) is in use. When the extra low burner automatically reignites the ignitor at the burner will spark.





# IMPORTANT SAFETY INSTRUCTIONS

READ AND SAVE THESE INSTRUCTIONS



---

## WARNING

---

Use this appliance only for its intended use as described in this manual. NEVER use this appliance as a space heater to heat or warm the room. Doing so may result in carbon monoxide poisoning and overheating the appliance. Never use the appliance for storage.

---

### Burn Prevention

DO NOT TOUCH SURFACE UNITS OR AREAS NEAR UNITS - Surface units may be hot even though they are dark in color. Areas near surface units may become hot enough to cause burns. During and after use, do not touch, or let clothing, potholders, or other flammable materials contact surface units or areas near units until they have had sufficient time to cool. Among these areas are the cooktop and areas facing the cooktop.

Do not heat or warm unopened food containers. Build-up of pressure may cause the container to burst and cause injury.

Use high heat settings on the cooktop only when necessary. To avoid bubbling and splattering, heat oil slowly, on no more than a low-medium setting. Hot oil is capable of causing extreme burns and injury.

Never move a pan of hot oil, especially a deep fat fryer. Wait until it is cool.

Secure all loose garments, etc., before beginning. Tie long hair so that it does not hang loose, and do not wear loose-fitting clothing or hanging garments, such as ties, scarves, jewelry, or dangling sleeves.

### Child Safety

When children become old enough to use the appliance, it is the responsibility of the parents or legal guardians to ensure that they are instructed in safe practices by qualified persons.

Do not allow anyone to climb, stand, lean, sit, or hang on any part of an appliance, especially a door, warming drawer, or storage drawer. This can damage the appliance, and the unit may tip over, potentially causing severe injury.

Do not allow children to use this appliance unless closely supervised by an adult. Children and pets should not be left alone or unattended in the area where the appliance is in use. They should never be allowed to play in its vicinity, whether or not the appliance is in use.



## CAUTION

---

Items of interest to children should not be stored in an appliance, in cabinets above an appliance or on the backsplash. Children climbing on an appliance to reach items could be seriously injured.

---



# IMPORTANT SAFETY INSTRUCTIONS

READ AND SAVE THESE INSTRUCTIONS

## Cleaning Safety

After a spill or boilover, turn off the burner and allow the cooktop to cool. Clean around the burner and burner ports. After cleaning, check for proper operation.

## Cookware Safety

Hold the handle of the pan when stirring or turning food. This helps prevent spills and movement of the pan.

Use Proper Pan Size.

The use of undersized cookware will expose a portion of the heating element or burner to direct contact and may result in ignition of clothing. Select cookware having flat bottoms large enough to cover the surface heating unit. This appliance is equipped with one or more surface units of different sizes. Proper relationship of cookware to heating element or burner will also improve efficiency.

Always position handles of utensils inward so they do not extend over adjacent work areas, burners, or the edge of the cooktop. This reduces the risk of fires, spills and burns.

Adjust burner flame size so that it does not extend beyond the edge of the cookware. Proper relationship of cookware to burner flame reduces safety risks.

## Proper Installation and Maintenance

Have the installer show you the location of the circuit breaker or fuse. Mark it for easy reference.

This appliance must be properly installed and grounded by a qualified technician. Connect only to properly grounded outlet. Refer to Installation Instructions for details.

This appliance is intended for normal family household use only. It is not approved for outdoor use. See the Statement of Limited Product Warranty. If you have any questions, contact the manufacturer.

Do not store or use corrosive chemicals, vapors, flammables or nonfood products in or near this appliance. It is specifically designed for use when heating or cooking food. The use of corrosive chemicals in heating or cleaning will damage the appliance and could result in injury.



# IMPORTANT SAFETY INSTRUCTIONS

READ AND SAVE THESE INSTRUCTIONS



---

## WARNING

---

Failure to operate knobs properly may result in personal injury and damage to the appliance.

---

This appliance is not intended for operation with an external time switch or external remote control.

Do not operate this appliance if it is not working properly, or if it has been damaged. Contact an authorized service provider.

Do not repair or replace any part of the appliance unless specifically recommended in this manual. Refer all servicing to an authorized service provider.

To avoid electrical shock hazard, before servicing the appliance, switch power off at the service panel and lock the panel to prevent the power from being switched on accidentally.

## Proposition 65 Warning:

This product may contain a chemical known to the State of California, which can cause cancer or reproductive harm. Therefore, the packaging of your product may bear the following label as required by California:

STATE OF CALIFORNIA PROPOSITION 65 WARNING:

 **WARNING**

Cancer and Reproductive Harm - [www.P65Warnings.ca.gov](http://www.P65Warnings.ca.gov)

---

## Causes of Damage

---

---

### **NOTICE**

---

#### RISK OF HEAT DAMAGE TO ADJACENT APPLIANCES OR KITCHEN UNITS:

If the appliance is in operation for an extended period, heat and moisture will be generated. Additional ventilation is required. Open the window or switch on an extractor hood that discharges the extracted air and moisture outside the building.

---

---

### **NOTICE**

---

#### RISK OF DAMAGE TO THE APPLIANCE DUE TO THE BUILD-UP OF HEAT:

Do not heat roasters, frying pans or grill stones using more than one burner at a time.

---

---

### **NOTICE**

---

#### OPERATIONAL FAULT:

Always turn the control knob to the "Off" position when the appliance is not being used.

---

---

## Environmental protection

---

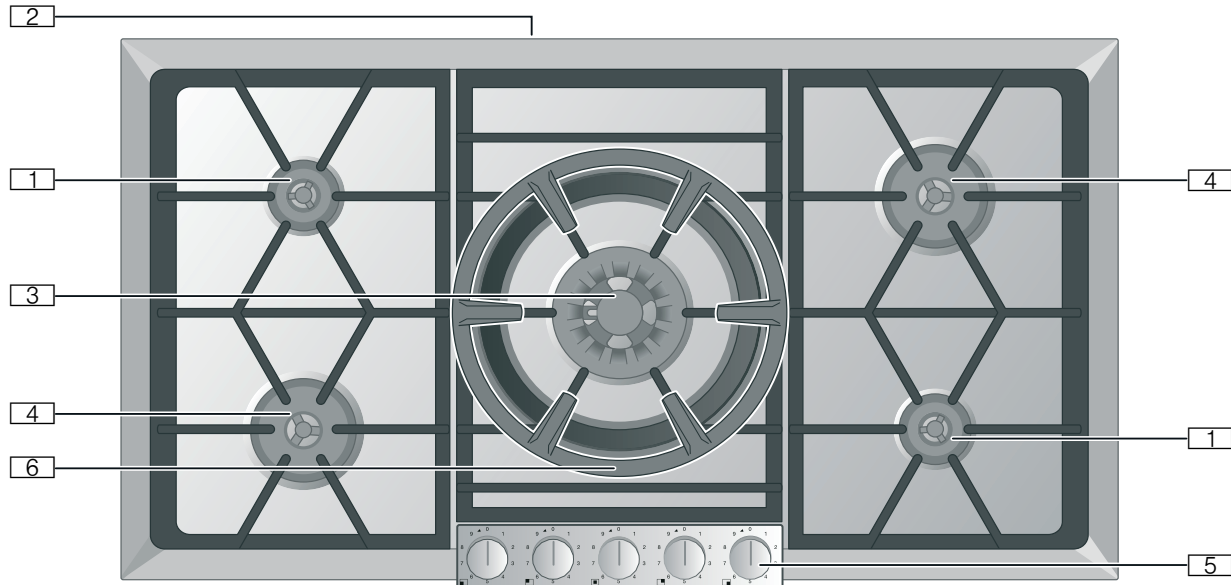
The sections below list a number of energy-saving tips and provide information on disposing of your appliance.

### **Saving energy**

- Choose a burner of roughly the same size as your pan. Place the cookware in the middle.
- Use a small saucepan for small quantities. A larger, less full saucepan requires more energy.
- Always place suitable lids on saucepans. Cooking without a lid consumes significantly more energy. Use a glass lid so that you can see into the pan without having to lift the lid.
- Cook with a small amount of water. That saves energy. Vitamins and minerals in vegetables are preserved.
- Switch to a lower heat setting when possible. As a result, you save energy.

## Getting to know your appliance

### Gas cooktop



- 1** Power of standard-output burner  
2.0 kW / 7,000 BTU/h
- 2** Air inlet opening
- 3** Power of Wok burner  
Natural gas 5.5 kW / 18,800 BTU/h  
Propane 5.0 kW / 17,000 BTU/h
- 4** Power of high-output burner  
4.0 kW / 13,500 BTU/h
- 5** Control knob:  
Power levels 1–9  
◀ Control knob direction of rotation
- 6** Wok ring

### Special accessories

You can order the following accessories from your specialist dealer:

**WP 400 001** Wok made from multi-layer material. Features a domed bottom and handle, dia.: 14¼" (36 cm), capacity: 6 liters, height: 4" (10 cm).

Use the accessories only as indicated. The manufacturer assumes no liability for incorrect usage of the accessories.

### Display on the illuminated ring

The control knob is encircled by an illuminated ring that indicates a number of statuses and functions.

Display screen	Meaning
○ Off	Appliance OFF
● Lit orange	Appliance ON
● Slow flashing orange	Appliance OFF Residual heat indicator
☀ Flashing orange	Appliance fault Call customer service.

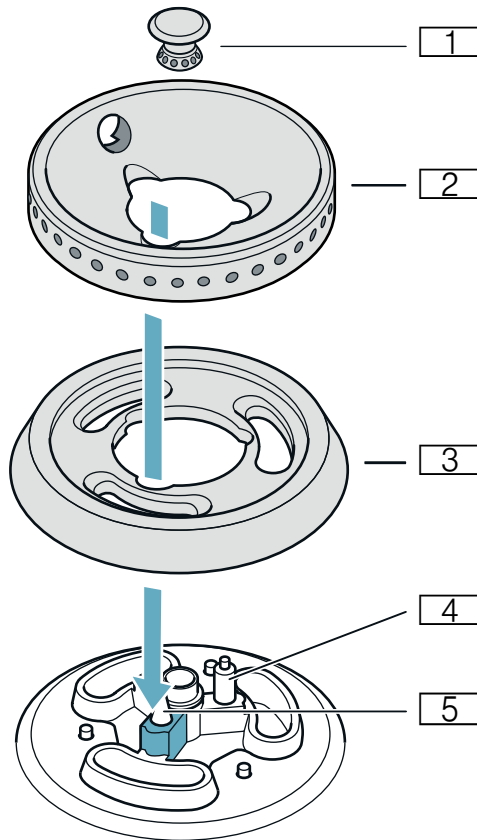
## Individual parts of the burner

Ensure that the individual parts of the burner are fitted in the correct position and are straight; otherwise, this may result in ignition problems or problems during operation.

Ensure that the burner head and burner ring fit so that the locking catches on the bottom of the burner snap into the appropriate recesses. The direction of burner head and burner ring doesn't matter.

**Note:** If the burner parts are fitted at an angle, the appliance will not work.

### Individual parts of the standard-output burner and high-output burner

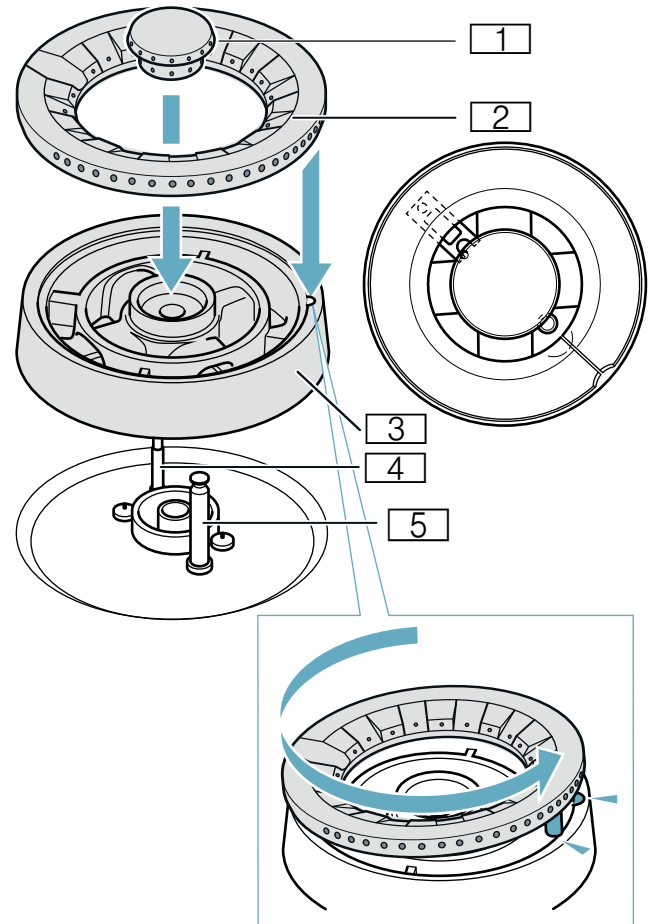


- 1 Burner cap
- 2 Burner ring
- 3 Burner head
- 4 Ignition plug
- 5 Thermocouple

## Individual parts of the wok burner

Ensure that the individual parts of the wok burner are fitted in the correct position and are straight; otherwise, this may result in ignition problems or problems during operation. Fit the burner head such that the thermocouple is positioned in the corresponding recess on the burner head. The lug on the burner ring must engage in the corresponding recess on the burner head.

**Note:** If the burner parts are fitted at an angle, the appliance will not work.



- 1 Burner cap
- 2 Burner ring
- 3 Burner head
- 4 Thermocouple
- 5 Ignition plug

## Operating the appliance

### Notes

- Only use the accessories specified. Do not line the stainless steel recess (e.g. with aluminum foil).
- Do not cover the ventilation openings on the back of the top sheet.
- The burner and ignition plug must be clean and dry.
- Only light the burners if the pan supports and all burner parts are correctly fitted.
- To ignite a burner, firmly press the control knob down as far as possible and hold it there, then turn it to the required position.
- Once ignited, press and hold the control knob for approx. 2 to 4 seconds to enable the heat sensor that opens the gas flow to heat up first.
- If the flame does not ignite within 2 to 4 seconds, turn the control knob anti-clockwise to the lowest setting and, once ignited, turn it back to the highest setting. It can often be quicker to ignite the burner in the lowest setting because different gases have different ignition characteristics.
- When one burner is ignited, an ignition spark will also be generated at all the other burners.
- Do not touch the ignition plug while the gas appliance is being lit.
- It is important to keep the appliance clean. If the ignition plugs are dirty, this may cause ignition problems. Clean the ignition plugs regularly with a small, non-metallic brush. Take care to prevent the ignition plugs from suffering any heavy knocks.

### Turning on

This appliance is equipped with a step valve. The markings on the control knob show you the output from power levels from 1 to 9.

Your gas hob comes with ignition plugs for electrical ignition.

1. Place a suitable item of cookware on the pan support.
2. Push in the control knob for your chosen burner and turn it counterclockwise to the power level you require.

The burner ignites automatically.

Turn the control knob to set the heat setting.

### **!** CAUTION

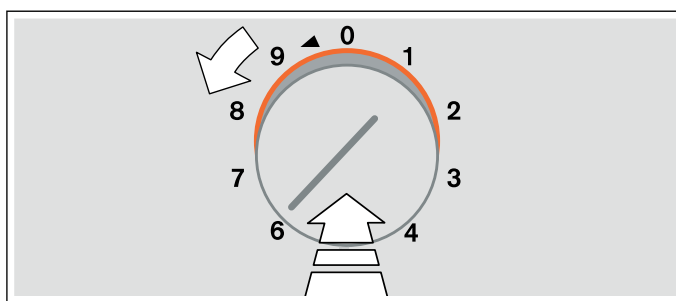
#### Damage to the appliance

Never try to turn the control knob directly from position 0 to position 1, or from position 1 directly to position 0. Doing this will damage the step valve.

### **!** WARNING

#### Risk of deflagration!

If the burner does not ignite after 15 seconds, switch off the control knob and open the door or window in the room. Wait at least 1 minute before igniting the burner again.



### Lighting manually

In the event of a power cut, you can light the burners manually.

1. Place a suitable item of cookware on the pan support.
2. Push in the control knob for your chosen burner and turn it counterclockwise to the power level you require. Keep the control knob pressed in.
3. Light the burner with a gas lighter or a match. Keep the control knob pressed in for a few seconds after ignition.

**Note:** The indicator on the illuminated ring remains off.

### Thermo-electric flame monitoring

For your safety, the stove is equipped with a thermo-electronic flame monitoring system. It prevents gas from escaping if the burner mistakenly goes out while in operation (e.g. through a draft of air).

If the burner mistakenly goes out while in operation, turn the control knob to the 0 position and wait at least 1 minute before re-igniting the burner.

## Turning off

Turn the control knob clockwise to position 0.

## Residual heat display

After switching off the appliance, the illuminated ring on the control knob slowly flashes orange until the appliance has cooled enough for it to be safe to touch. Do not touch the appliance while the residual heat indicator is flashing.

## Table of settings and tips

Heat setting	Cooking method	Examples
9	Heating	Water, clear soups
	Blanching	Vegetables
	Deep-fat frying	Fries, baked items
7–9	Searing	Meat
	Frying at high temperatures	Meat, potatoes
6 –8	Simmering with the lid open	Liquids, pasta
5–7	Baking	Flour-based foods
	Frying at medium temperatures	Poultry, fish
4–5	Frying at low temperatures	Fried sausages, onions, egg dishes
	Defrosting	Frozen food
4	Poaching with the lid open	Dumplings, boiled sausages
	Warming	Vegetables, soups, stews
3–4	Braising	Roulades, roasts
	Steaming	Vegetables
2– 4	Simmering with the lid on	Soups, vegetables
1	Soaking	Rice, rice pudding, cereals

## Tips for cooking and roasting

The values in the settings table serve as mere guidelines, since more or less heat may be required, depending on the type and condition of the foods, as well as the size and fullness of the pot.

The high output causes grease and oil to heat up quickly. Don't leave food unattended while frying; grease can catch fire and burn the food.



## Tips for using a wok

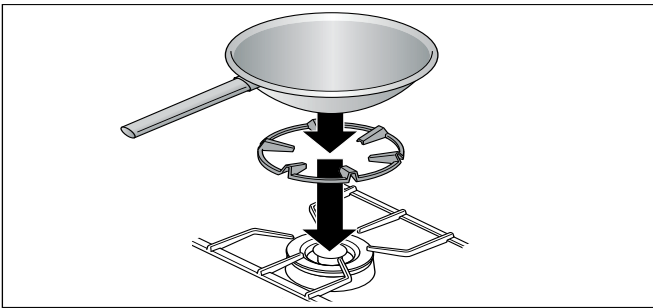
**Note:** When you cook using a wok, place the wok ring onto the pan support over the wok burner. Make sure that the wok is stable on the wok ring when you are cooking.

We recommend using woks with a domed base. You can order a high-quality wok as an optional accessory (WP 400 001).

When cooking with the wok, use only cooking oil that is suitable for heating to high temperatures, such as peanut oil.

Cook the ingredients at a high heat, while stirring constantly. Do not cook them for too long. The vegetables should be al dente.

For stirring the food and for taking it out of the pan, it is best to use a shallow ladle with a long handle made from a heat-resistant material.



### **⚠ WARNING**

#### **Risk of injury!**

The standard-output burner and high-output burner are not suitable for use with the wok ring and a wok. The wok is not stable and may overturn. Never place the wok ring on the standard-output burner or high-output burner.

## Notes regarding cookware

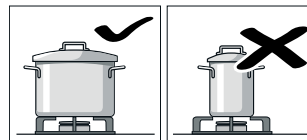
The following information and tips have been provided to help you save energy and avoid damaging your cookware.

### Appropriate Cooking Vessels

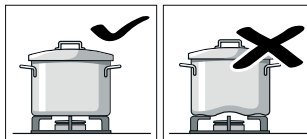
Burner	Recommended diameter of pot base	Minimum diameter of pot base
Normal burner	8" - 9½" (200 - 240 mm)	3½" (90 mm)
High-output burner	9½" - 11" (240 - 280 mm)	3½" (90 mm)
Wok burner	9½" - 12¾" (240 - 320 mm)	5¾" (160 mm)

**Pots with a diameter of less than 3½" (90 mm) or greater than 11" (280 mm) [12¾" (320 mm) for wok burners] shouldn't be used.** If you use larger pots, you must maintain a minimum clearance of 2" (50 mm) between the cooking vessel and surrounding flammable objects. A minimum distance of 2" (50 mm) must be maintained between the control knob or control panel and the pot or pan. The cooking vessel must touch the control panel.

### Information for Use

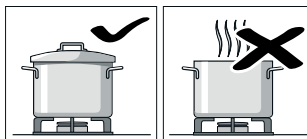


Use cooking vessels of appropriate size for the particular burner. Don't use small cooking vessels on large burners. The flame shouldn't come in contact with the sides of the cooking vessel.

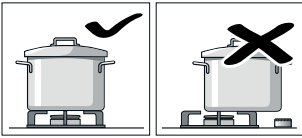


Don't use any deformed cooking vessels that don't stand solidly on the cooktop. The vessels could tip over.

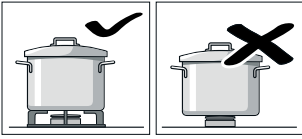
Only use cooking vessels with flat and thick bottoms.



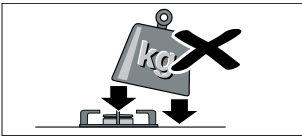
Don't cook without a lid or if the lid is not on all the way. The majority of the heat is lost.



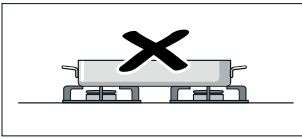
Place the cooking vessel in the center of the burner, otherwise it may tip over. Don't place large pots on the burners near the stove controls. They could overheat and become damaged.



Place the pots on the pan supports, never directly onto the burners. Prior to use, ensure that the pan supports and lids of the gas burners are positioned correctly.



Handle vessels carefully on the cooktop. Don't bang the cooktop and don't place any heavy weights on it.



Never heat a cooking vessel (e.g. roasting tin, pan, cooking stone) with multiple burners. The resulting accumulation of heat causes damage to the appliance.

---

## Cleaning and maintenance

---

---

### **WARNING**

---

#### **Risk of electrical shock!**

Moisture entering the appliance can cause an electrical shock. Don't use a high-pressure cleaner or steam cleaner.

---

---

### **WARNING**

---

#### **Risk of burns!**

The accessible parts get hot during operation. Never touch hot parts. Keep children away.

---

---

### **NOTICE**

---

#### **SURFACE DAMAGE:**

Do not use the following cleaning agents:

- Abrasive or rough cleaners
- Oven cleaners
- Caustic, chlorinated or aggressive cleansers
- Cleanser with a high alcohol content
- Hard, scratchy sponges, brushes or scouring pads

If such an agent comes into contact with the appliance, wash it off immediately with water.

Always wash new sponge cloths thoroughly before use.

---

## Cleaning the appliance

Clean the appliance after each use once it has cooled down. Remove liquids that have boiled over or spilled immediately and do not allow any food remnants to burn on.

Dry the burners thoroughly after cleaning. Only operate the appliance when the burners are dry. Damp burners can cause ignition problems and/or an unstable flame.

During assembly, make sure that the burner parts (locking catches) are in the correct position. All parts must be straight.

Appliance part/ surface	Recommended cleaning
Stainless steel surfaces	<p>Use soapy water and dry with a soft cloth. Use a minimal amount of water when cleaning to prevent water from penetrating the appliance.</p> <p>Soak burnt-on remnants with a small amount of soapy water; do not scour.</p> <p>Remove heavy soiling or yellow discoloration caused by heat using our stainless steel cleaner (article no. 00311499).</p>
Pan supports, wok ring	<p>Carefully remove for cleaning. Soak in the sink. Clean using a scrubbing brush and washing-up liquid.</p> <p>Clean the area around the rubber buffers carefully so that they do not become detached.</p> <p>Rinse with clean water and dry before placing back on the cooktop.</p> <p>You can also clean the pan supports in the dishwasher. This may discolor the pan supports slightly but it has no effect on their usability.</p>
Burner parts	<p>Use soapy water and dry with a soft cloth. Make sure that the openings are not blocked.</p> <p>Take care that no small parts are lost.</p> <p><b>Do not clean in the dishwasher.</b></p>

Appliance part/ surface	Recommended cleaning
Control panel	Use soapy water, without making the cloth too wet. Dry with a soft cloth.
Control knobs	Use soapy water, without making the cloth too wet. Dry with a soft cloth.



### CAUTION

#### Damage to the appliance

Do not detach the control knobs to clean them.

## Burnt-on dirt

For hard-to-remove, burnt-on dirt, you can order a cleaning gel from our online shop, from your specialist retailer or our Customer Service (item number 00311859). It is suitable for pan supports and the stainless steel recess. If necessary, let the dirt soak overnight. Heed the instructions on the cleaning agent.

### NOTICE

#### DAMAGE TO THE SURFACE -

Do not use the cleaning gel on the burner parts.

## Discoloration of the burners

After long use, the burner parts made of brass become darker due to natural oxidation. The change in the color does not affect use user benefits.

---

## Faults – What to Do?

---

### **WARNING**

#### **Risk of electric shock!**

Incorrect repairs are dangerous. Repairs may only be carried out by an authorized servicer. If the appliance is not functioning properly, unplug the power cord or switch off the fuse in the fuse box. Contact Customer Support.

---

Faults often have simple explanations. Please read the notes in the table before calling customer service.

Malfunction	Possible cause	Solution
General electrical malfunction.	The household fuse has opened.	Check in the fuse box whether the fuse has opened.
The electrical ignition doesn't work.	Food or cleaner residue may be between the flame igniters and the burners.	The space between flame igniter and burner must be clean.
	The burners are wet.	Carefully dry the burner lids.
	The burner lids aren't correctly positioned.	Check whether the lids are correctly positioned.
	Power failure	Light burner by hand.
Uneven burner flame	The burner parts aren't correctly positioned.	Correctly position burner parts.
	The openings of the burner are dirty.	Clean openings of the burner.
Gas flow seems abnormal or no gas comes out.	Intermediate valves are closed.	Open the intermediate valves.
	If using a gas cylinder, make sure it's not empty.	Replace gas cylinder.
It smells like gas in the kitchen.	Potential leak on connection of gas cylinder.	Check gas cylinder connection for leaks.
The burner immediately goes out after ignition.	You haven't held the control knob long enough.	After the burner has ignited, continue pressing the control knob for a few seconds. Press in firmly.
	The openings of the burner are dirty.	Clean openings of the burner.

---

## Customer Service

---

If your appliance needs repairs, our Customer Service is there for you. We work hard to help solve problems quickly and without unnecessary service calls, getting your appliance back up and running correctly in the least amount of time possible.

When you call, please indicate the product number (E-Nr.) and serial number (FD-Nr.) so that we can support you in a qualified manner. You will find the data plate with these numbers on the bottom of the appliance. To avoid having to search when you need it, you can enter your appliance data and the Customer Service telephone number here.

---

E-Nr.	FD-Nr.
-------	--------

---



---

**Customer Service** 

---

Please read the use and care instructions provided with your appliance. Failure to do so may result in an error in using the appliance resulting in unnecessary service calls, which may not be covered by the warranty.

Please find the contact data of all countries in the enclosed customer service list.

### To book a service visit and product advice

**USA**            877 442 4436  
toll-free

**CANADA**      877 442 4436  
toll-free

# Table des Matières

<b>▲ Définitions de sécurité</b>	<b>23</b>
<b>CONSIGNES DE SÉCURITÉ IMPORTANTES</b>	<b>24</b>
Sécurité-incendie	26
Sécurité en matière de gaz	27
Prévention des brûlures	29
Sécurité des enfants	30
Consignes en matière de nettoyage	30
Sécurité pour la batterie de cuisine	31
Installation et entretien corrects	31
Avertissement issu de la proposition 65	32
<b>Causes des dommages</b>	<b>33</b>
<b>Protection de l'environnement</b>	<b>33</b>
Économies d'énergie	33
<b>Présentation de l'appareil</b>	<b>34</b>
Table de cuisson au gaz	34
Anneau lumineux	34
Accessoires spéciaux	34
Composants des brûleurs	35
Composants du brûleur pour wok	35
<b>Utiliser l'appareil</b>	<b>36</b>
Mise en marche	36
Allumage manuel	36
Surveillance thermo-électrique de la flamme	37
Arrêt	37
Indicateur de chaleur résiduelle	37
<b>Tableau de réglage et conseils</b>	<b>37</b>
Conseils pour la cuisson	37
Conseils pour la cuisson au wok	38
<b>Indications relatives aux récipients</b>	<b>38</b>
Récipients de cuisson adaptés	38
Conseils d'utilisation	38
<b>Nettoyage et entretien</b>	<b>39</b>
Nettoyage de l'appareil électroménager	39
Salissures brûlées	40
Décoloration des brûleurs	40

<b>Dérangements, Que faire si...</b>	<b>41</b>
--------------------------------------	-----------

<b>Service après-vente</b>	<b>42</b>
----------------------------	-----------

Vous trouverez des informations supplémentaires concernant les produits, accessoires, pièces de rechange et services sur Internet sous : [www.gaggenau.com](http://www.gaggenau.com) et la boutique en ligne : [www.gaggenau.com/zz/store](http://www.gaggenau.com/zz/store)

---

**⚠ Définitions de sécurité**

---

---

**⚠ AVERTISSEMENT**

---

Ceci indique que le non-respect de cet avertissement peut entraîner des blessures graves, voire la mort.

---

---

**⚠ ATTENTION**

---

Ceci indique que le non-respect de cet avertissement peut entraîner des blessures légères ou de gravité moyenne.

---

---

**AVIS**

---

Ceci indique que la non-conformité à cet avis de sécurité peut entraîner des dégâts matériels ou endommager l'appareil.

---

**Remarque :** Ceci vous signale des informations et/ou indications importantes.



# CONSIGNES DE SÉCURITÉ IMPORTANTES

LIRE ET CONSERVER CES INSTRUCTIONS

## **⚠ AVERTISSEMENT :**

**Si les directives ne sont pas suivies à la lettre, il y a un risque d'incendie ou d'explosion pouvant entraîner des dommages matériels, des blessures ou un décès.**

- **Ne pas conserver ou utiliser de l'essence ou d'autres liquides ou vapeurs inflammables à proximité de cet appareil ou de tout autre appareil.**
- **QUE FAIRE SI VOUS PERCEVEZ UNE ODEUR DE GAZ**
  - **Ne pas essayer de mettre un appareil sous tension.**
  - **Ne pas toucher d'interrupteur de courant électrique.**
  - **Ne pas utiliser de téléphones dans l'édifice.**
  - **Communiquer immédiatement avec le fournisseur de gaz depuis l'appareil téléphonique d'un voisin. Respecter les directives du fournisseur de gaz.**
  - **S'il s'avère impossible de joindre le fournisseur de gaz, communiquer avec les pompiers.**
- **Utiliser les services d'un installateur ou d'une agence de services qualifiés ou le fournisseur de gaz pour procéder à l'installation et aux réparations.**





# CONSIGNES DE SÉCURITÉ IMPORTANTES

LIRE ET CONSERVER CES INSTRUCTIONS

## **▲ AVERTISSEMENT :**

**Ne faites jamais fonctionner la surface de cuisson, sur le dessus de cet appareil, sans surveillance**

- **Le non-respect de cette mise en garde pourrait entraîner un incendie, une explosion ou un risque de brûlure et ainsi causer des dommages matériels, des blessures ou la mort.**
- **Si l'appareil prend feu, tenez-vous à l'écart et appelez immédiatement votre service des incendies.**

**NE TENTEZ JAMAIS D'ÉTEINDRE UN FEU DE GRAISSE OU D'HUILE EN L'ASPERGEANT D'EAU.**



# CONSIGNES DE SÉCURITÉ IMPORTANTES

LIRE ET CONSERVER CES INSTRUCTIONS

## Sécurité-incendie

Conserver ces instructions.

Régler la commande de brûleur afin que la flamme ne puisse pas dépasser le rebord du fond des casseroles.

Si la table de cuisson est près d'une fenêtre, d'un évent à air forcé ou d'un ventilateur, s'assurer que les matériaux inflammables tels les tentures/rideaux ne flottent pas au-dessus ou près des brûleurs ou éléments. Ils risqueraient de s'enflammer.

Toujours avoir un détecteur de fumée en état de marche près de la cuisine.



---

## AVERTISSEMENT

---

POUR RÉDUIRE LES RISQUES DE FEUX DE GRAISSE :

1. Ne jamais faire fonctionner les unités de surface à des températures élevées sans surveillance. Des débordements causant de la fumée et des déversements graisseux peuvent prendre feu. Chauffer l'huile lentement à réglage faible ou moyen.
  2. Toujours mettre la hotte EN MARCHE pendant la cuisson à température élevée et au moment de flamber des aliments (p.ex., crêpes Suzette, cerises jubilé, steak au poivre flambé).
  3. Souvent nettoyer les ventilateurs d'aération. Il ne faut pas que la graisse s'accumule sur le ventilateur ou sur le filtre.
  4. Utiliser des casseroles de taille adéquate. Utiliser toujours des casseroles dont les dimensions conviennent à la taille de l'élément.
- 

Si des vêtements s'enflamment, jeter et rouler par terre immédiatement pour éteindre les flammes.

Étouffez les flammes d'un feu d'aliments autre qu'un feu de graisse à l'aide de bicarbonate de soude. Ne jamais utiliser d'eau sur les feux de cuisson.

S'assurer que l'air brassé par les ventilateurs ou les événements à air forcé



# CONSIGNES DE SÉCURITÉ IMPORTANTES

LIRE ET CONSERVER CES INSTRUCTIONS

n'agisse pas sur les flammes d'un brûleur de sorte qu'elles risquent de dépasser des rebords d'une casserole.

Veillez à avoir à portée de main un extincteur d'incendie en bon état de marche, placé visiblement près de l'appareil et facile d'accès.



## AVERTISSEMENT

POUR RÉDUIRE LE RISQUE DE LÉSIONS CORPORELLES DANS L'ÉVENTUALITÉ D'UN FEU DE GRAISSE, OBSERVER LES CONSIGNES SUIVANTES :

1. **ÉTOUFFER LES FLAMMES** à l'aide d'un couvercle bien hermétique, d'une tôle à biscuits ou d'un plateau en métal, puis éteindre l'appareil. **FAIRE ATTENTION À NE PAS SE BRÛLER.** Si les flammes ne s'éteignent pas immédiatement, **ÉVACUER LES LIEUX ET FAIRE APPEL AU SERVICE D'INCENDIE.**
2. **NE JAMAIS SAISIR UN RÉCIPIENT QUI BRÛLE.** Vous pourriez vous brûler.
3. **NE PAS UTILISER D'EAU,** y compris les chiffons ou serviettes mouillées. Une violente explosion de vapeur risque de se produire.

4. Utiliser un extincteur uniquement si :
  - Vous savez que vous possédez un extincteur de **CLASSE ABC**, et vous en connaissez déjà le maniement.
  - L'incendie est de petite ampleur et contenu dans la zone où il s'est déclaré.
  - Le service d'incendie est appelé.
  - On peut combattre l'incendie le dos tourné vers la sortie.

Dans la mesure du possible, ne pas faire fonctionner le système de ventilation lorsqu'un feu se déclenche sur une table de cuisson. Toutefois, ne pas passer la main à travers le feu pour mettre le système de ventilation hors tension.

## Sécurité en matière de gaz

Pour éviter toute accumulation d'oxyde de carbone, ne pas bloquer les événements de l'appareil.

Se faire indiquer l'emplacement du robinet d'arrêt de gaz par l'installateur.

Pour un fonctionnement adéquat des brûleurs, l'allumeur doit toujours être propre et sec.

Si un brûleur s'éteint et que du gaz s'échappe, ouvrir portes et fenêtres. Attendre que le gaz se soit dissipé avant d'utiliser de nouveau l'appareil.



# CONSIGNES DE SÉCURITÉ IMPORTANTES

LIRE ET CONSERVER CES INSTRUCTIONS



---

## AVERTISSEMENT

---

La cuisson au gaz peut libérer de petites quantités de certains sous-produits, tels que le monoxyde de carbone, le benzène, le formaldéhyde, les oxydes d'azote (y compris le dioxyde d'azote) et les particules, la suie. Pour minimiser l'exposition à ces substances:

- Assurez-vous d'avoir toujours une ventilation adéquate en utilisant un ventilateur approprié ou une hotte avec une évacuation vers l'extérieur et/ou une fenêtre ouverte.
- Faites toujours fonctionner l'appareil en suivant les consignes de ce manuel.
- Le cas échéant, les brûleurs doivent être vérifiés par un installateur ou une agence certifiés pour assurer une bonne combustion.

- Évitez de chauffer des casseroles et des poêles vides.
  - Ne laissez pas les casseroles bouillir à sec.
  - Ne laissez pas du papier d'aluminium, du plastique, du papier ou du tissu entrer en contact avec un élément chaud, un brûleur ou une grille.
- 



---

## AVERTISSEMENT

---

Ne laissez jamais la table de cuisson sans surveillance lors de son utilisation. Une cuisson sans surveillance sur une table de cuisson avec de la graisse ou de l'huile peut être dangereuse et peut provoquer un incendie. Les débordements provoquent de la fumée et les résidus de graisses peuvent s'enflammer.

---



---

## AVERTISSEMENT

---

Les matériaux surchauffés peuvent provoquer un incendie ou des brûlures et peuvent produire des émanations ou fumées potentiellement dangereuses.

- Pour éviter une surchauffe, allumez la hotte lorsque vous chauffez des graisses ou faites frire quelque chose en utilisant des paramètres de température moyen à haut.



---

## AVERTISSEMENT

---

Tous les allumeurs émettent des étincelles lorsqu'on allume un brûleur. Ne toucher aucun brûleur lors de l'utilisation de la table de cuisson.

---

# **CONSIGNES DE SÉCURITÉ IMPORTANTES**

## LIRE ET CONSERVER CES INSTRUCTIONS

Si vous sentez du gaz, votre installateur n'a probablement pas détecté une fuite de gaz. Si les branchements ne sont pas parfaitement étanches, vous pourriez avoir une petite fuite et donc une légère odeur de gaz. La détection d'une fuite de gaz n'est pas une opération à faire soi-même. Certaines fuites ne peuvent être détectées que si le brûleur est en position de marche et ceci doit être fait par un technicien de réparation qualifié. Voir Avertissement, page 24.

---

### **AVERTISSEMENT**

Pour éviter les poussées de flamme lors de l'utilisation de la table de cuisson, les grilles de brûleur doivent être correctement installées. Les pieds de support des grilles doivent reposer sur les alvéoles de la table de cuisson prévues à cet effet. Ne pas utiliser une grille si les pieds en caoutchouc sont absents ou abîmés.

Les orifices de l'allumeur doivent être propres pour que les brûleurs s'allument correctement. Il est impératif de nettoyer les brûleurs en cas de débordement ou si un brûleur ne s'allume pas même si l'allumeur émet un léger claquement.

---

### **AVERTISSEMENT**

Pour éviter les poussées de flamme, ne pas utiliser la table de cuisson sans avoir correctement installé les capuchons de brûleur et les grilles de brûleur.

---

### **AVERTISSEMENT**

Ne pas nettoyer ni toucher les brûleurs lorsque le brûleur à très faible puissance (s'il y en a un) est en cours d'utilisation. Lorsque le brûleur à très faible puissance se rallume automatiquement, l'allumeur émettra des étincelles au niveau du brûleur.

---

### **AVERTISSEMENT**

Utiliser cet appareil uniquement pour l'usage auquel il est destiné comme l'indique ce manuel. Ne **JAMAIS** utiliser cet appareil comme un radiateur électrique portatif pour chauffer ou réchauffer une pièce. Ceci pourrait entraîner une intoxication par l'oxyde de carbone et provoquer une surchauffe de l'appareil. L'appareil ne doit jamais servir à entreposer quoi que ce soit.

### **Prévention des brûlures**

**NE PAS TOUCHER AUX ÉLÉMENTS DE SURFACE NI AUX ZONES PRÈS DES ÉLÉMENTS.** Les unités de surface peuvent être chaudes même lorsqu'elles sont de couleur foncée. Les zones près des unités de surface peuvent devenir suffisamment chaudes pour causer des brûlures. Pendant et après l'utilisation, ne pas toucher, ni laisser vêtements,



# CONSIGNES DE SÉCURITÉ IMPORTANTES

LIRE ET CONSERVER CES INSTRUCTIONS

poignées isolantes ou autres matériaux inflammables entrer en contact avec les éléments de surface ni aux zones près des éléments tant qu'ils n'ont pas refroidi. Citons notamment la table de cuisson et les surfaces situées près de celle-ci.

Ne pas chauffer ou réchauffer des contenants d'aliments non ouverts.

L'accumulation de pression peut faire exploser le contenant et provoquer des blessures.

Utiliser les réglages élevés seulement lorsque nécessaire. Pour éviter bulles et éclaboussures, chauffer l'huile lentement à réglage faible ou moyen. L'huile chaude peut causer des brûlures et blessures extrêmement graves.

Ne déplacez jamais une poêle contenant de l'huile chaude, en particulier une bassine à friture. Attendez qu'elle se soit refroidie.

Attacher les vêtements lâches, etc. avant de commencer. Attacher les cheveux longs de façon à ce qu'ils ne pendent pas et ne pas porter de vêtements lâches ou d'habits ou objets qui pendillent, tels que cravates, foulards, bijoux ou manches.

## Sécurité des enfants

Lorsque les enfants sont assez âgés pour utiliser l'appareil, il incombe aux parents ou tuteurs légaux de veiller à ce qu'ils soient formés aux pratiques sécuritaires par des personnes qualifiées.

Ne permettre à personne de grimper, rester debout, s'appuyer, s'asseoir ou se pencher sur toute partie d'un appareil, notamment une porte, un tiroir-réchaud ou un tiroir de rangement. Ceci peut endommager l'appareil qui risque de basculer et causer des blessures sérieuses.

Ne pas permettre aux enfants d'utiliser cet appareil sauf sous la surveillance attentive d'un adulte. Ne pas laisser les enfants et les animaux seuls ou sans surveillance lorsque l'appareil est en service. Ne jamais les laisser jouer aux alentours de l'appareil, que ce dernier soit en service ou non.



## ATTENTION

Les articles d'intérêt pour les enfants ne doivent pas être rangés dans un appareil électroménager, dans les armoires au-dessus de l'appareil ou sur le dossier. Les enfants peuvent grimper sur l'appareil pour atteindre ces objets et se blesser sérieusement.

---

## Consignes en matière de nettoyage

Après tout déversement ou débordement, éteindre le brûleur et laisser la table de cuisson refroidir. Nettoyer le pourtour du brûleur ainsi que ces orifices. Une fois ce nettoyage terminé, vérifier le bon fonctionnement du brûleur.



# CONSIGNES DE SÉCURITÉ IMPORTANTES

LIRE ET CONSERVER CES INSTRUCTIONS

## Sécurité pour la batterie de cuisine

Tenir la poignée de la casserole en brassant ou tournant les aliments. Ceci l'empêche de bouger et évite les déversements.

Utiliser des casseroles de taille adéquate.

L'utilisation de casseroles trop petites aura pour effet d'exposer une partie de l'élément chauffant ou du brûleur pouvant présenter un risque de contact direct et d'incendie de vêtements. Sélectionner des ustensiles à fond plat, suffisamment larges pour couvrir l'élément chauffant.

Cet appareil est doté de surfaces de différents formats. Un bon rapport ustensile/élément chauffant ou brûleur permet également d'améliorer le fonctionnement de l'appareil.

Toujours tourner les poignées pour qu'elles ne passent pas au-dessus des zones adjacentes de cuisson ou du bord de l'appareil. Ceci aide à diminuer le risque d'ignition de matériaux inflammables, de déversements et de brûlures.

Ajuster la taille de la flamme des brûleurs afin qu'elle ne dépasse pas le bord des ustensiles. Un bon rapport flamme/ustensile entraîne une diminution des risques en matière de sécurité.

## Installation et entretien corrects

Demandez à l'installateur de vous montrer où se trouve le disjoncteur ou le fusible. Identifier sa position pour pouvoir le retrouver facilement.

Cet appareil doit être adéquatement installé et mis à la terre par un technicien agréé. Branchez l'appareil uniquement dans une prise correctement reliée à la terre. Pour plus de détails, reportez-vous à la notice d'installation.

Cet appareil est destiné uniquement à une utilisation domestique normale. Il n'est pas homologué pour un usage en extérieur. Voyez l'Énoncé de la Garantie Limitée. Si vous avez des questions, communiquez avec le fabricant.

# **CONSIGNES DE SÉCURITÉ IMPORTANTES**

LIRE ET CONSERVER CES INSTRUCTIONS

Ne pas entreposer ni utiliser de produits chimiques corrosifs, vapeurs, substances inflammables ou produits non alimentaires à l'intérieur ou à proximité de l'appareil. Il a été spécialement conçu pour être utilisé pendant le chauffage et la cuisson des aliments. L'emploi de produits chimiques corrosifs pour chauffer ou nettoyer l'appareil endommagera ce dernier et peut provoquer des blessures.

---

## **AVERTISSEMENT**

---

Le non respect du mode de fonctionnement des boutons peut entraîner des lésions corporelles ou des dommages à l'appareil.

---

Cet appareil n'est pas prévu pour fonctionner avec un programmateur externe ou une télécommande externe.

Ne pas se servir de cet appareil s'il ne fonctionne pas correctement ou s'il est endommagé. Communiquer avec un réparateur autorisé.

Ne pas réparer ni remplacer toute pièce de l'appareil à moins que cela ne soit spécifiquement recommandé par ce manuel. Toute réparation doit être effectuée par un centre de réparation autorisé par l'usine.

Pour éviter les risques d'électrocution, avant de réparer l'appareil, mettre l'alimentation hors circuit au niveau du panneau de service et le verrouiller pour éviter toute mise en circuit accidentelle.

## **Avertissement issu de la proposition 65 :**

Ce produit pourrait contenir un produit chimique reconnu par l'État de la Californie comme cancérigène ou ayant des effets nocifs sur la reproduction. Par conséquent, l'emballage de votre produit pourrait porter l'étiquette suivante, comme requis par la Californie :

**AVERTISSEMENT ISSU DE LA PROPOSITION 65 DE L'ÉTAT DE LA CALIFORNIE :**

 **AVERTISSEMENT**  
Cancer et dommages à la reproduction  
[www.P65Warnings.ca.gov](http://www.P65Warnings.ca.gov)



---

## Causes des dommages

---



---

### **AVIS**

---

#### DOMMAGES DUS À LA CHALEUR SUR DES APPAREILS OU DES MEUBLES:

Une utilisation prolongée de l'appareil génère de la chaleur et de l'humidité. Une ventilation supplémentaire est alors nécessaire. Ouvrez une fenêtre ou mettez en marche une hotte communiquant avec l'extérieur.

---



---

### **AVIS**

---

#### ENDOMMAGEMENT DE L'APPAREIL DÛ À UNE ACCUMULATION DE CHALEUR :

Ne pas faire chauffer des cocottes ou des poêles sur plusieurs brûleurs en même temps.

---



---

### **AVIS**

---

#### DYSFONCTIONNEMENT :

Tournez toujours les boutons de commande sur la position zéro lorsque l'appareil n'est pas en service.

---



---

## Protection de l'environnement

---

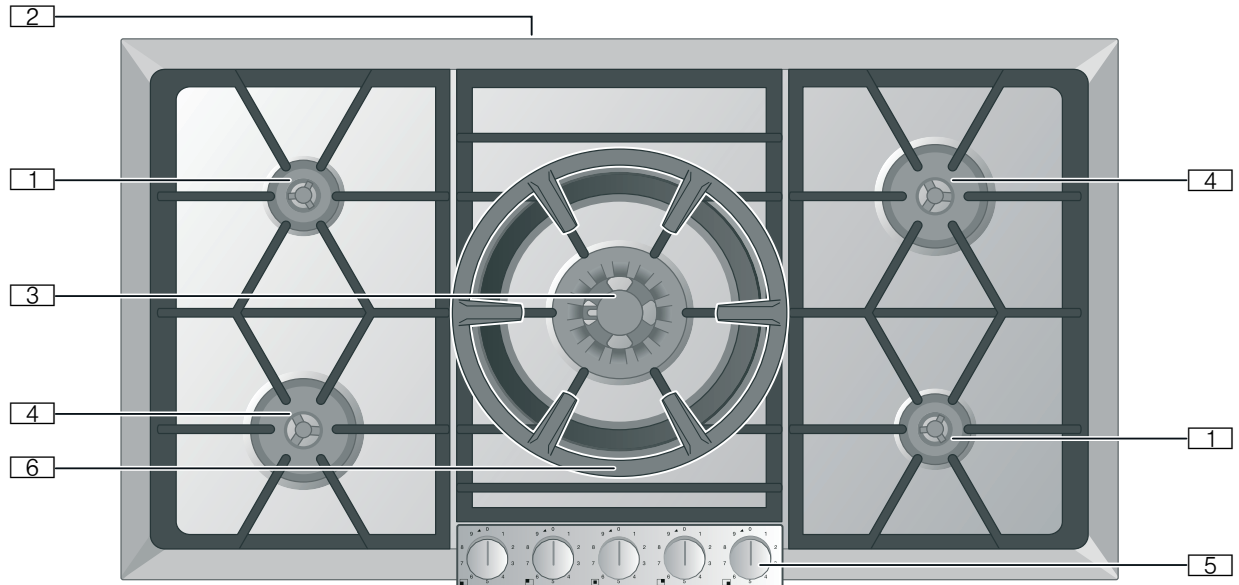
Vous trouverez ci-après des conseils permettant d'économiser de l'énergie et des informations relatives à l'élimination de l'appareil.

### Économies d'énergie

- Sélectionnez le brûleur adapté à la taille du récipient. Centrez bien le récipient.
- Pour de petites quantités, utilisez une petite casserole. Une grande casserole, peu remplie, nécessite beaucoup d'énergie.
- Couvrez toujours les récipients avec un couvercle approprié. La cuisson sans couvercle consomme considérablement plus d'énergie. Utilisez un couvercle en verre afin de pouvoir voir l'intérieur du récipient sans devoir soulever le couvercle.
- Faites cuire avec peu d'eau. Vous économiserez de l'énergie. Les vitamines et minéraux des légumes seront conservés.
- Réglez à temps à une puissance de cuisson inférieure. Vous économiserez ainsi de l'énergie.

## Présentation de l'appareil

### Table de cuisson au gaz



- 1** Puissance de brûleur standard 2,0 kW / 7 000 BTU/h
- 2** Admission d'air
- 3** Puissance Brûleur wok  
Gaz naturel 5,5 kW / 18 800 BTU/h  
Propane 5,0 kW / 17 000 BTU/h
- 4** Puissance de brûleur puissant 4,0 kW / 13 500 BTU/h
- 5** Bouton de commande :  
Niveaux de puissance 1 à 9  
◀ Sens de rotation du bouton de commande
- 6** Anneau pour wok

### Accessoires spéciaux

Vous pouvez commander les accessoires suivants auprès de votre distributeur :

**WP 400 001** Poêle wok en matériau multicouche.  
Avec fond bombé et manche,  
Ø 14¼ po (36 cm), 6 litres, 4 po  
(10 cm) de hauteur.

Utilisez l'accessoire seulement de la manière indiquée.  
Le fabricant n'est pas responsable de l'utilisation non conforme des accessoires.

### Anneau lumineux

Le bouton de commande est doté d'un anneau lumineux pouvant indiquer différents états.

Affichage	Signification
○ Arrêt	Appareil ÉTEINT
● Allumé en orange	Appareil ALLUMÉ
● Clignotement lent : orange	Appareil ÉTEINT Indicateur de chaleur résiduelle
☀ Clignotement : orange	Défectuosité de l'appareil Appelez le service après-vente!

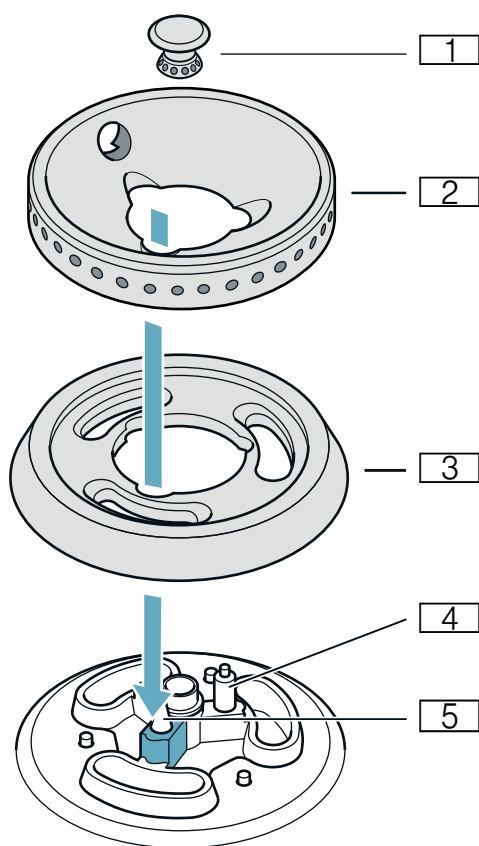
## Composants des brûleurs

Mettez les composants des brûleurs bien en place en veillant à ce qu'ils soient droits, sinon des dysfonctionnements risquent de se produire lors de l'allumage ou pendant le fonctionnement.

Placez la tête de brûleur et la couronne de brûleur de manière à ce que le taquet d'arrêt de la partie inférieure du brûleur s'encliquète dans les évidements correspondants. L'orientation de la tête de brûleur et de la couronne de brûleur importe peu.

**Remarque :** Si les composants du brûleur sont posés de travers, l'appareil ne fonctionne pas.

### Composants du brûleur standard et du brûleur rapide

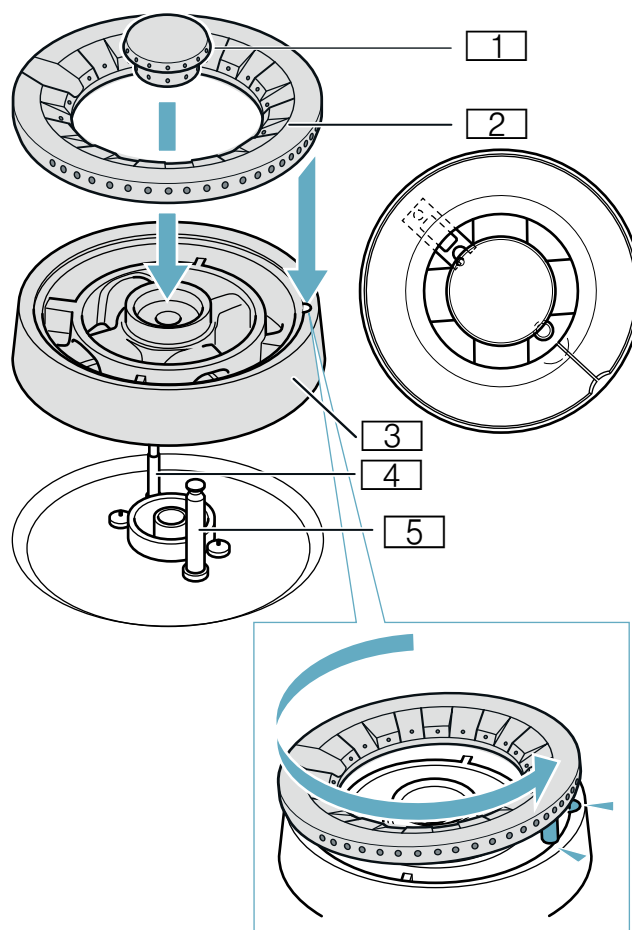


- 1 Chapeau de brûleur
- 2 Couronne de brûleur
- 3 Tête de brûleur
- 4 Bougie d'allumage
- 5 Thermocouple

## Composants du brûleur pour wok

Mettez les composants du brûleur pour wok bien en place en veillant à ce qu'ils soient droits, sinon des dysfonctionnements risquent de se produire lors de l'allumage ou pendant le fonctionnement. Positionnez la tête du brûleur de manière à ce que le thermocouple se trouve dans l'évidement prévu pour l'accueillir dans la tête du brûleur. Le taquet d'arrêt sur la couronne du brûleur doit s'enclencher dans l'évidement correspondant de la tête de brûleur.

**Remarque :** Si les composants du brûleur sont posés de travers, l'appareil ne fonctionne pas.



- 1 Chapeau de brûleur
- 2 Couronne de brûleur
- 3 Tête de brûleur
- 4 Thermocouple
- 5 Bougie d'allumage

## Utiliser l'appareil

### Remarques

- Utilisez uniquement les accessoires prescrits. Ne recouvrez pas la surface de cuisson en inox (p. ex., avec du papier d'aluminium).
- Ne couvrez pas les orifices de ventilation à l'arrière de la feuille supérieure.
- Les brûleurs et la bougie d'allumage doivent être propres et secs.
- Allumez les brûleurs uniquement si le support de casseroles ou la grille et toutes les pièces de brûleur sont correctement installés.
- Maintenez le bouton de commande enfoncé jusqu'au fond pour allumer le brûleur, puis tournez-le au niveau de puissance souhaité.
- Après l'allumage, maintenez enfoncé le bouton de commande pendant env. 2 à 4 secondes, car l'élément thermométrique qui libère le passage du gaz doit d'abord se réchauffer.
- Si la flamme ne s'allume pas dans un délai de 2 à 4 secondes après l'allumage, tournez le bouton de commande vers la gauche à feu doux, puis après l'allumage, remettez-le à feu vif. Un allumage à feu doux est souvent plus rapide, car différents gaz ont un comportement d'allumage différent.
- Lors de l'allumage d'un brûleur, une étincelle est générée à toutes les positions de brûleurs.
- Ne touchez pas à une bougie d'allumage pendant que l'appareil à gaz fonctionne.
- Veillez à maintenir le tout le plus propre possible. Si les bougies d'allumage sont encrassées, l'allumage peut faire défaut. Nettoyez régulièrement les bougies d'allumage avec une petite brosse non métallique. Veillez à ne pas soumettre les bougies d'allumage à des chocs importants.

### Mise en marche

Cet appareil est doté d'un clapet à étage. Les repères sur le bouton de commande vous indiquent les niveaux de puissance de 1 à 9.

Votre table de cuisson à gaz dispose de bougies d'allumage pour allumage électrique.

1. Posez un récipient de cuisson adapté sur la grille.
2. Enfoncez le bouton de commande du brûleur sélectionné et tournez-le vers la gauche au niveau de puissance souhaité.

Le brûleur s'allume automatiquement.

Vous pouvez régler le niveau de puissance en tournant le bouton de commande.

### ⚠ ATTENTION

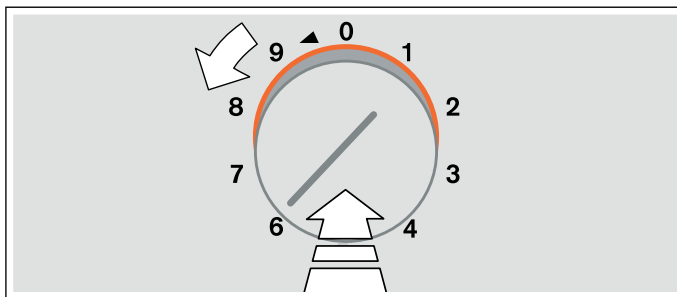
#### Dommages à l'appareil

N'essayez jamais de tourner directement le bouton de commande de la position 0 à la position 1 ni de la position 1 directement sur la position 0. Cela endommagerait le clapet à étage.

### ⚠ AVERTISSEMENT

#### Risque de déflagration !

Si le brûleur ne s'allume pas au bout de 15 secondes, fermez le bouton de commande et ouvrez la porte ou la fenêtre de la pièce. Attendez au moins une minute avant de rallumer le brûleur.



### Allumage manuel

En cas de panne de courant, vous pouvez aussi allumer les brûleurs manuellement.

1. Posez un récipient de cuisson adapté sur la grille.
2. Enfoncez le bouton de commande du brûleur sélectionné et tournez-le vers la gauche au niveau de puissance souhaité. Maintenez le bouton de commande enfoncé.
3. Allumez le brûleur avec un allume-gaz ou une allumette. Après l'allumage, maintenez le bouton de commande enfoncé pendant quelques secondes.

**Remarque :** L'anneau lumineux reste éteint.

## Surveillance thermo-électrique de la flamme

Pour votre sécurité, la table de cuisson est dotée d'une surveillance thermo-électrique de flamme qui empêche la sortie de gaz dans le cas où le brûleur s'éteindrait de manière inopinée (par exemple à cause d'un courant d'air).

Lorsque le brûleur s'éteint par erreur, tournez la manette en position 0 et attendez au moins 1 minute avant de le rallumer.

## Arrêt

Tournez le bouton de commande vers la droite, sur la position 0.

## Indicateur de chaleur résiduelle

Après extinction, l'anneau lumineux du bouton de commande clignote lentement en orange tant que l'appareil est trop chaud pour pouvoir le toucher sans danger. Ne touchez pas l'appareil, tant que l'indicateur de chaleur résiduelle clignote.

## Tableau de réglage et conseils

Puissance de cuisson	Type de cuisson	Exemples
9	Réchauffer	Eau, bouillons
	Blanchir	Légumes
	Frire	Frites, pâtisseries
7 à 9	Saisir	Viande
	Cuire à haute température	Viande, pommes de terre
6 à 8	Poursuivre la cuisson à découvert	Liquides, pâtes
5 à 7	Cuisson de pain et de pâtisseries	Mets à base de farine
	Cuire à température moyenne	Volaille, poisson
4 à 5	Cuire à basse température	Saucisses à rôtir, oignons, plats à base d'œufs
	Décongeler	Produits surgelés
4	Cuire à découvert	Quenelles, saucisses à bouillir
	Réchauffer	Légumes, soupes, ragoûts
3 à 4	Braiser	Paupiettes, rôtis
	Étuver	Légumes
2 à 4	Poursuivre la cuisson à couvert	Soupes, légumes
1	Laisser gonfler	Riz, riz au lait, céréales

## Conseils pour la cuisson

Les valeurs du tableau de réglage sont indicatives, car selon la nature et l'état des mets ainsi que selon la taille et le degré remplissage du récipient de cuisson, il faut plus ou moins de chaleur.

La puissance élevée de la table permet de chauffer rapidement l'huile et les graisses. Ne laissez pas des mets à rôtir sans surveillance, la graisse peut s'enflammer et le mets peut brûler.

## Conseils pour la cuisson au wok

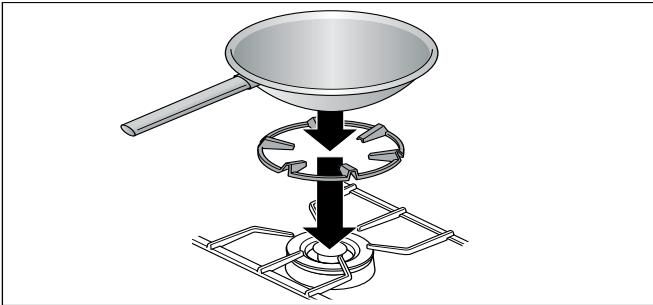
**Remarque :** Pour cuisiner avec un wok, vous devez placer l'adaptateur pour wok sur le support de casserole au-dessus du brûleur pour wok. Lorsque vous cuisinez, veillez à ce que le wok repose en toute sécurité sur l'adaptateur pour wok.

Nous recommandons les wok à fond bombé. Vous pouvez commander un wok de qualité supérieure comme accessoire spécial (WP 400 001).

Pour la cuisson au wok, n'utilisez que de l'huile haute température, p. ex. de l'huile d'arachides.

Cuisez les aliments à feu vif en les remuant continuellement et pas trop longtemps. Les légumes doivent être juste al dente.

Pour remuer et sortir les aliments, utilisez de préférence une louche plate à long manche en matériau résistant à la chaleur.



## ⚠ AVERTISSEMENT

### Risque de blessure !

Le brûleur standard et le brûleur puissant ne sont pas adaptés pour l'utilisation de l'adaptateur pour poêle wok ni pour une poêle wok. La poêle wok n'est pas stable et risque de basculer. Ne jamais poser l'adaptateur pour poêle wok sur le brûleur standard, ni sur le brûleur puissant.

## Indications relatives aux récipients

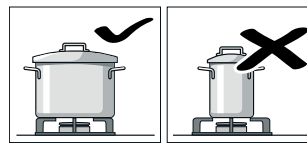
Les indications suivantes vous aident à économiser de l'énergie et à éviter d'endommager les récipients.

### Récipients de cuisson adaptés

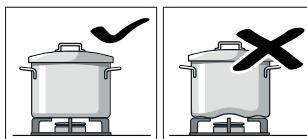
Brûleur	Diamètre recommandé des fonds de casseroles	Diamètre minimal des fonds de casseroles
Brûleur normal	8 po - 9½ po (200 - 240 mm)	3½ po (90 mm)
Brûleur rapide	9½ po - 11 po (240 - 280 mm)	3½ po (90 mm)
Brûleur à wok	9½ po - 12¾ po (240 - 320 mm)	5¼ po (160 mm)

**Il convient de ne pas utiliser de casseroles dont le diamètre est inférieur à 3½ po (90 mm) et supérieur à 11 po (280 mm) [12¾ po (320 mm) pour le brûleur à wok].** Si vous utilisez des casseroles plus grandes, respectez entre le récipient de cuisson et les éléments inflammables environnants une distance minimale de 2 po (50 mm). Entre la manette de commande ou le bandeau de commande et la casserole ou la poêle, respectez une distance d'au moins 2 po (50 mm). Il ne faut pas que le récipient de cuisson soit près du bandeau de commande.

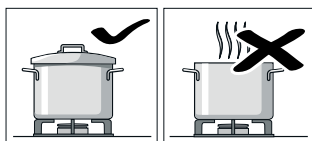
## Conseils d'utilisation



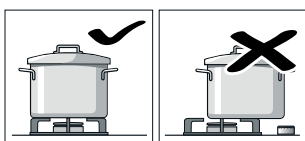
Utilisez des récipients de cuisson dont la taille est adaptée au brûleur. N'utilisez pas de petits récipients de cuisson sur les grands brûleurs. La flamme ne doit pas remonter sur les côtés des récipients de cuisson.



N'utilisez pas de récipients de cuisson déformés qui ne reposent pas bien à plat sur la table de cuisson. Les récipients peuvent basculer. Utilisez seulement des récipients de cuisson à fond plat et épais.

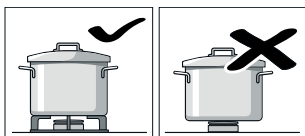


Ne faites pas cuire sans couvercle ou avec le couvercle mal positionné. Cela entraîne un important gaspillage d'énergie.



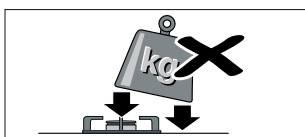
Centrez bien le récipient de cuisson au-dessus du brûleur, sinon il risque de basculer.

Ne placez pas de grandes casseroles sur les brûleurs situés près des commandes, ces dernières pourraient surchauffer et être endommagées.

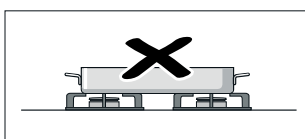


Posez les casseroles sur les grilles porte-casseroles, jamais directement sur les brûleurs.

Avant utilisation, assurez-vous que les grilles porte-casseroles et les chapeaux des brûleurs à gaz sont bien en place.



Manipulez avec précaution les récipients se trouvant sur la table de cuisson. Ne donnez pas de coups sur la table de cuisson et n'y posez pas d'objets lourds.



Ne faites jamais chauffer un récipient de cuisson (cocotte, poêle, pierre à griller) avec plusieurs brûleurs, car il en résulterait une accumulation de chaleur qui endommagerait l'appareil.

## Nettoyage et entretien

### ⚠ AVERTISSEMENT

#### Risque de choc électrique !

La pénétration d'humidité peut provoquer un choc électrique. Ne pas utiliser de nettoyeur à haute pression ou à vapeur.

### ⚠ AVERTISSEMENT

#### Risque de brûlure !

Les parties accessibles chauffent lorsque la table est allumée. Ne touchez jamais aux parties très chaudes. Tenez les enfants à distance.

### AVIS

#### ENDOMMAGEMENT DE LA SURFACE :

N'utilisez pas ces produits de nettoyage

- Produits de nettoyage abrasifs ou agressifs
- Produits de nettoyage pour four
- Produits de nettoyage corrosifs, contenant du chlore ou agressif
- Produits de nettoyage fortement alcoolisés
- Éponges de lavage, brosses ou tampons à récurer durs ou abrasifs

Si un tel produit se répand sur l'appareil, essuyez-le immédiatement avec de l'eau.

Rincez toujours soigneusement les chiffons de nettoyage neufs avant de les utiliser.

## Nettoyage de l'appareil électroménager

Nettoyer l'appareil électroménager après chaque utilisation, quand il est froid. Essuyer immédiatement les liquides ayant débordé, ne pas laisser les restes d'aliments carboniser.

Sécher soigneusement les brûleurs après le nettoyage. Faire fonctionner l'appareil uniquement lorsqu'ils sont bien secs. Les brûleurs humides entraînent des problèmes lors de l'allumage ou donnent une flamme instable.

Lors de l'assemblage, veiller à la position correcte des parties du brûleur (taquet d'arrêt). Toutes les pièces doivent être de niveau.

---

**Élément de l'appareil/ Surface**

---

Surfaces en inox Eau savonneuse - sécher avec un chiffon doux. N'utiliser que peu d'eau pour le nettoyage, l'eau ne doit pas pénétrer dans l'appareil.

Faire ramollir les parties carbonisées avec un peu d'eau et du détergent liquide pour vaisselle, ne pas gratter pour les enlever.

Éliminer les salissures incrustées ou la coloration jaune due à la chaleur avec notre produit de nettoyage pour surfaces en inox (référence 00311499).

---

Support de casseroles, anneau pour poêle wok Le retirer avec précaution pour le nettoyage. Le laisser tremper dans l'évier. Nettoyer avec une brosse et du détergent liquide pour vaisselle.

Le nettoyer avec précaution au niveau des tampons en caoutchouc pour éviter de les détacher.

Le rincer à l'eau claire et le sécher avant de le remettre en place.

Vous pouvez également nettoyer le support de casserole au lave-vaisselle. Le support de casserole risque de se décolorer considérablement. Cela n'influence en rien son utilisation.

---

Parties du brûleur Eau savonneuse - sécher avec un chiffon doux. Veiller à ce que les orifices ne soient pas obstrués.

Veiller à ne pas perdre les petites pièces.

**Ne pas nettoyer au lave-vaisselle!**

---

Panneau de commande Eau savonneuse - le chiffon ne doit pas être trop mouillé. Sécher ensuite avec un chiffon doux.

---

Bouton de commande Eau savonneuse - le chiffon ne doit pas être trop mouillé. Sécher ensuite avec un chiffon doux.



**ATTENTION**

---

**Domages à l'appareil**

Ne pas retirer les boutons de commande pour le nettoyage.

---

## Salissures brûlées

Pour les salissures tenaces et brûlées, vous pouvez vous procurer un gel nettoyant dans notre boutique en ligne, auprès de votre revendeur ou de notre service après-vente (référence 00311859). Il convient aux supports de casserole et la surface de cuisson en inox. Si nécessaire, laissez agir sur les salissures pendant la nuit. Respectez les consignes indiquées sur le nettoyant.

---

### AVIS

---

#### DOMMAGES SUR LA SURFACE -

Ne pas utiliser le gel nettoyant sur les parties des brûleurs.

---

## Décoloration des brûleurs

Après une utilisation prolongée, les parties des brûleurs en laiton prennent une couleur foncée par oxydation naturelle. Le changement de couleur n'a aucun impact sur la fonctionnalité.



---

## Dérangements, Que faire si...

---

### AVERTISSEMENT

#### Risque de choc électrique !

Les réparations non-conformes sont source de danger. Les réparations doivent être faites exclusivement par un technicien après-vente formé par nos soins. Si l'appareil est défectueux, débranchez la fiche d'alimentation secteur ou désactivez le coupe-circuit concerné sur le tableau électrique. Appelez le service après-vente.

---

Un problème simple est souvent à la source d'une anomalie. Veuillez tenir compte des consignes figurant dans le tableau avant d'appeler le service après-vente.

Anomalie	Cause possible	Solution
Dysfonctionnement électrique général	Le coupe-circuit du logement a réagi.	Vérifier sur le tableau électrique si le coupe-circuit a réagi.
L'allumage électrique ne fonctionne pas.	Des résidus de produits alimentaires ou de nettoyant peuvent se trouver entre les bougies d'allumage et les brûleurs.	L'espace situé entre la bougie et le brûleur doit être propre.
	Les brûleurs sont mouillés.	Sécher soigneusement les chapeaux de brûleur.
	Les chapeaux de brûleur ne sont pas bien montés.	Vérifier si les chapeaux sont bien en place.
	Panne d'électricité	Allumer le brûleur à la main.
Flamme irrégulière	Les éléments du brûleur ne sont pas bien montés.	Monter correctement les éléments du brûleur.
	Les orifices du brûleur sont encrassés.	Nettoyer les orifices du brûleur.
Le flux de gaz semble anormal ou bien aucun gaz ne sort.	Des robinets intermédiaires sont fermés.	Ouvrir les robinets intermédiaires.
	En cas d'utilisation d'une bouteille de gaz, vérifier qu'elle n'est pas vide.	Changer la bouteille de gaz.
Une odeur de gaz se fait sentir dans la cuisine.	Recherchez la fuite éventuelle sur le raccord de la bouteille de gaz.	Vérifiez l'étanchéité du raccord de la bouteille de gaz.
Le brûleur s'éteint tout de suite après l'allumage.	Vous n'avez pas appuyé assez longtemps sur la manette de commande.	Lorsque le brûleur s'allume, maintenir la manette enfoncée pendant encore quelques secondes. Appuyer à fond.
	Les orifices du brûleur sont encrassés.	Nettoyer les orifices du brûleur.

---

---

## Service après-vente

---

Si votre appareil doit être réparé, notre service après-vente est à votre disposition. Nous trouvons toujours une solution adaptée, y compris pour éviter les visites inutiles de techniciens.

Lors de votre appel, indiquez le numéro du produit (n° E) et le numéro de série (n° FD) afin que nous puissions vous donner une réponse précise. La plaquette d'identification comportant ces numéros se trouve sur le dessous de l'appareil. Pour ne pas avoir à chercher en cas de besoin, vous pouvez inscrire ici les références de l'appareil et le numéro de téléphone du service après-vente.


---

N° E

N° FD

---

---

Service après-vente 

---

Veillez lire le mode d'emploi et les directives d'entretien fournis avec l'appareil. Tout manquement à cette consigne pourrait entraîner une erreur à l'utilisation de l'appareil et des demandes de réparations inutiles, qui pourraient ne pas être sous garantie.

Vous trouverez les données de contact pour tous les pays dans l'annuaire ci-joint du service après-vente.

### **Demande de réparation et conseils en cas de dysfonctionnement**

**CA 877 442 4436**

toll-free

---

# Contenido

---

<b>▲ Definiciones de seguridad</b>	<b>44</b>
------------------------------------	-----------

<b>INSTRUCCIONES DE SEGURIDAD IMPORTANTES</b>	<b>45</b>
---	-----------

Seguridad para evitar incendios	47
Seguridad con el gas	48
Prevención de quemaduras	51
Seguridad de los niños	51
Seguridad en la limpieza	52
Seguridad en los utensilios de cocina	52
Instalación y mantenimiento adecuados	53
Advertencia en virtud de la Proposición 65	53

<b>Causas para los daños</b>	<b>54</b>
------------------------------	-----------

<b>Protección del medio ambiente</b>	<b>54</b>
--------------------------------------	-----------

Ahorro de energía	54
-------------------	----

<b>Presentación del aparato</b>	<b>55</b>
---------------------------------	-----------

Parrilla de cocina de gas	55
Indicación en el anillo luminoso	55
Accesorios especiales	55
Componentes de los quemadores	56
Componentes del quemador wok	56

<b>Manejo del electrodoméstico</b>	<b>57</b>
------------------------------------	-----------

Conectar	57
Encendido manual	57
Vigilancia termoeléctrica de la flama	58
Apagar	58
Visualización del calor restante	58

<b>Tabla de ajustes y consejos</b>	<b>58</b>
------------------------------------	-----------

Consejos para cocer y asar	58
Consejos para el wok	59

<b>Consejos para el uso de recipientes</b>	<b>59</b>
--	-----------

Ollas de adecuadas para cocer	59
Instrucciones de uso	59

<b>Cuidados y limpieza</b>	<b>60</b>
----------------------------	-----------

Limpiar el aparato	60
Suciedad quemada	61
Decoloración de los quemadores	61

<b>¿Qué hacer en caso de avería?</b>	<b>62</b>
--------------------------------------	-----------

<b>Servicio de atención al cliente</b>	<b>63</b>
--	-----------

Encontrará más información sobre productos, accesorios, piezas de repuesto y servicios en internet: [www.gaggenau.com](http://www.gaggenau.com) y también en la tienda online: [www.gaggenau.com/zz/store](http://www.gaggenau.com/zz/store)

---

## **⚠ Definiciones de seguridad**

---

---

### **⚠ ADVERTENCIA**

---

Esto indica que pueden producirse heridas graves o incluso la muerte si no se cumple con esta advertencia.

---

---

### **⚠ ATENCION**

---

Esto indica que pueden producirse heridas leves o moderadas si no se cumple con esta advertencia.

---

---

### **AVISO**

---

Esto indica que pueden producirse daños en el aparato o en los bienes si no se cumple con este aviso.

---

**Nota:** Esto alerta sobre información o sugerencias importantes.



# INSTRUCCIONES DE SEGURIDAD IMPORTANTES

LEA Y CONSERVE ESTAS INSTRUCCIONES

## **⚠ ADVERTENCIA:**

Si la información en estas instrucciones no se sigue con precisión, se puede producir un incendio o una explosión ocasionando daños a la propiedad, lesiones a las personas o incluso la muerte.

- No almacene ni use gasolina u otros vapores y líquidos inflamables en la proximidad de este aparato o cualquier otro.
- **QUÉ HACER SI DETECTA OLOR A GAS**
  - No trate de encender ningún aparato.
  - No toque ningún interruptor eléctrico.
  - No utilice ningún teléfono en su edificio.
  - Llame inmediatamente a su proveedor de gas desde un teléfono vecino. Siga las instrucciones del proveedor de gas.
  - Si no puede contactar a su proveedor de gas, comuníquese con el departamento de bomberos.
- La instalación y el servicio deben ser llevados a cabo por un instalador calificado, agencia de servicio o el proveedor de gas.



# **INSTRUCCIONES DE SEGURIDAD IMPORTANTES**

LEA Y CONSERVE ESTAS INSTRUCCIONES

## **⚠ ADVERTENCIA:**

**No poner a funcionar nunca la sección superior de la superficie de cocción del aparato sin vigilancia.**

- **El incumplimiento de esta advertencia podría dar lugar a incendios, explosiones o quemaduras que podrían causar daños materiales, personales e incluso la muerte.**
- **Si se produce un incendio, mantenerse alejado del aparato y llamar de inmediato al departamento de bomberos.**

**NO INTENTAR EXTINGUIR CON AGUA UN INCENDIO PROVOCADO POR ACEITE O GRASA.**



# INSTRUCCIONES DE SEGURIDAD IMPORTANTES

LEA Y CONSERVE ESTAS INSTRUCCIONES

## Seguridad para evitar incendios

Conserve estas instrucciones.

Programe el control de la hornilla, de manera que la llama no se extienda fuera de la base de la olla.

Si la placa está cerca de una ventana, una ventilación o un ventilador de aire forzado, asegúrese de que los materiales inflamables, como los elementos utilizados para cubrir una ventana, no se aproximen a las hornillas o a los elementos ni se extiendan sobre estos. Podrían prenderse fuego.

Siempre tenga un detector de humo en funcionamiento cerca de la cocina.

2. Siempre encienda la campana al cocinar a un valor de calor alto o al flambear alimentos (p. ej., Crepas Suzette, cerezas Jubilee, carne flambeada con granos de pimienta).
3. Limpie los ventiladores extractores con frecuencia. No se debe permitir la acumulación de grasa en los ventiladores ni en los filtros.
4. Use el tamaño adecuado de olla. Siempre use utensilios de cocina apropiados para el tamaño del elemento de la superficie.



## ADVERTENCIA

PARA REDUCIR EL RIESGO DE INCENDIO OCASIONADO POR GRASA:

1. Nunca deje las unidades de la superficie sin vigilancia a valores altos. Los derrames por hervor causan humo y salpicaduras grasosas que pueden prenderse fuego. Caliente los aceites despacio, a valores bajos o medianos.

En el caso de que su ropa se prenda fuego, arrójese al piso y ruede de inmediato para extinguir las llamas.

Sofoque las llamas provocadas por alimentos que se prenden fuego, que no sean incendios ocasionados por grasa, con bicarbonato de sodio. Nunca use agua en incendios ocasionados al cocinar.

Tenga cuidado de que las corrientes de aire como las que producen los ventiladores o las ventilaciones de aire forzado no empujen las llamas de manera que se extiendan fuera de los bordes de la olla.

Tenga un extinguidor de incendio disponible, cerca, en un área fácilmente visible y accesible, cerca del electrodoméstico.



# INSTRUCCIONES DE SEGURIDAD IMPORTANTES

LEA Y CONSERVE ESTAS INSTRUCCIONES



## ADVERTENCIA

PARA REDUCIR EL RIESGO DE LESIONES A PERSONAS EN CASO DE INCENDIO OCASIONADO POR GRASA, SIGA ESTAS INDICACIONES:

1. SOFOQUE LAS LLAMAS con una tapa que ajuste correctamente, una placa para galletas u otra bandeja de metal, luego, apague el electrodoméstico. ASEGÚRESE DE PREVENIR LAS QUEMADURAS. Si las llamas no se apagan de inmediato, EVACUE EL ÁREA Y LLAME AL DEPARTAMENTO DE BOMBEROS.
2. NUNCA LEVANTE UNA OLLA EN LLAMAS. Puede quemarse.
3. NO USE AGUA, ni repasadores o toallas húmedos. Puede ocasionar una violenta explosión por vapor.
4. Use un extinguidor sólo si:
  - Sabe que tiene un extinguidor CLASE ABC y ya sabe cómo usarlo.
  - El incendio es pequeño y se limita al área donde se originó.
  - Alguien llamó al departamento de bomberos.
  - Puede combatir el incendio de espaldas a una salida.

## Seguridad con el gas

Para prevenir la acumulación de monóxido de carbono, no bloquee los orificios de ventilación del electrodoméstico.

Haga que el instalador le muestre dónde está ubicada la válvula de paso de gas.

Para un funcionamiento adecuado de la hornilla, mantenga los encendedores limpios y secos.

Si se apaga una hornilla y se escapa gas, abra las ventanas y las puertas. Espere hasta que el gas se disipe antes de utilizar el electrodoméstico.

Si es posible, no ponga el sistema de ventilación en funcionamiento si hay un incendio en la placa. Pero no atravesese el fuego con la mano para apagarla.





# INSTRUCCIONES DE SEGURIDAD IMPORTANTES

LEA Y CONSERVE ESTAS INSTRUCCIONES



## ADVERTENCIA

Cocinar con gas puede liberar pequeñas cantidades de ciertos subproductos, como monóxido de carbono, benceno, formaldehído, óxidos de nitrógeno (incluido el dióxido de nitrógeno) y partículas/hollín. Para reducir la exposición a estas sustancias:

- Asegurar siempre una ventilación adecuada mediante el uso de un ventilador o campana extractora apropiados, con salida al exterior y/o una ventana abierta.
- Utilizar la unidad siempre de forma acorde con las instrucciones de este manual.
- Si procede, es necesario que un instalador o una agencia certificados verifiquen los quemadores para garantizar una combustión adecuada.



## ADVERTENCIA

Los materiales calentados en exceso pueden causar incendios o quemaduras y pueden producir humo o vapores potencialmente nocivos.

- Para evitar el calentamiento en exceso, encender la campana extractora cuando se calienten grasas o se frían a fuego medio o alto.
- Evitar calentar ollas y sartenes vacías.
- No deje hervir líquidos en recipientes hasta su evaporación completa.
- Es preciso evitar que materiales como el papel de aluminio, el plástico, el papel o la tela entren en contacto con un elemento superficial de calentamiento, con una parrilla o con una rejilla.



## ADVERTENCIA

No dejar bajo ninguna circunstancia la placa de cocción desatendida durante su uso. Desatender el cocinado con grasas o aceites en una placa de cocción puede ser peligroso y podría causar un incendio. Los derrames provocan humo y salpicaduras de aceite que pueden incendiarse.



# INSTRUCCIONES DE SEGURIDAD IMPORTANTES

LEA Y CONSERVE ESTAS INSTRUCCIONES



---

## ADVERTENCIA

---

Todos los encendedores producen chispas cuando se enciende cualquiera de las hornillas. No toque ninguna de las hornillas cuando la placa está en uso.

---

Si siente olor a gas, su instalador no ha verificado adecuadamente que no haya fugas. Si las conexiones no se encuentran perfectamente apretadas, puede haber una pequeña fuga y, por lo tanto, un olor leve. Encontrar una fuga de gas no es un procedimiento “para que realice usted solo”. Algunas fugas sólo pueden detectarse con el control de la hornilla en la posición ON (Encendido) y esto debe realizarlo un técnico de servicio calificado. Vea Advertencia, página 45.



---

## ADVERTENCIA

---

Para prevenir llamaradas, todas las rejillas deben estar bien ubicadas en la placa cuando la placa está en uso. Cada una de las patas debe estar colocada en los hoyuelos correspondientes de la placa. No utilice una rejilla si faltan las patas de hule o están dañadas.

---

Mantenga los agujeros del encendedor limpios, a fin de asegurar que las hornillas se enciendan de manera adecuada. Es necesario limpiarlos

cuando se produce un derrame por hervor o cuando la hornilla no enciende aunque los encendedores eléctricos hacen clic.



---

## ADVERTENCIA

---

Para prevenir llamaradas, no utilice la placa sin todas las tapas de la hornilla y con todas las rejillas de la hornilla bien ubicadas.

---



---

## ADVERTENCIA

---

No limpie ni toque ninguna hornilla cuando se esté usando una hornilla con un valor de calor extrabajo (si viene incorporada). Cuando la hornilla hornilla con un valor de calor extrabajo vuelva a prenderse fuego automáticamente, el encendedor que se encuentra en la hornilla producirá chispas.

---



---

## ADVERTENCIA

---

Utilice este electrodoméstico sólo para su uso previsto, según se describe en este manual. NUNCA utilice este electrodoméstico como calentador de ambiente para habitación. Hacerlo puede ocasionar intoxicación por monóxido de carbono y calentamiento excesivo del electrodoméstico. Nunca utilice el electrodoméstico para almacenar objetos

---



# INSTRUCCIONES DE SEGURIDAD IMPORTANTES

LEA Y CONSERVE ESTAS INSTRUCCIONES

## Prevención de quemaduras

NO TOQUE LAS UNIDADES DE LAS SUPERFICIES NI LAS ÁREAS CERCANAS A LAS UNIDADES. Las unidades de la superficie pueden estar calientes, aunque su color sea oscuro. Las áreas cercanas a las unidades de la superficie pueden calentarse lo suficiente como para ocasionar quemaduras. Durante el uso y con posterioridad, no toque las unidades de la superficie o áreas cercanas a las unidades, ni deje que su ropa, agarradores ni otros materiales inflamables entren en contacto con estos hasta que haya transcurrido el tiempo suficiente para que se enfríen. Entre estas áreas, se encuentran la placa y las áreas que miran hacia la placa.

No caliente recipientes de alimentos sin abrir. La acumulación de presión puede hacer explotar el recipiente y causar lesiones.

Use valores de calor altos en la placa sólo cuando sea necesario. Para evitar burbujas y salpicaduras, caliente el aceite despacio, a un valor bajo-mediano, como máximo. El aceite caliente puede provocar quemaduras y lesiones de extrema gravedad.

Nunca mueva un recipiente con aceite caliente, especialmente una freidora. Espere hasta que se haya enfriado.

Sujétese todas las prendas, etc. antes de comenzar. Sujétese el cabello largo de manera que no quede suelto, y no use prendas holgadas o sueltas, como corbatas, bufandas, joyas o mangas amplias.

## Seguridad de los niños

Cuando los niños tienen la edad adecuada para utilizar el electrodoméstico, es responsabilidad de los padres o tutores legales asegurarse de que reciban las instrucciones sobre prácticas seguras por parte de personas calificadas.

No deje que nadie se suba, pare, incline, siente o cuelgue de cualquier parte de un electrodoméstico, especialmente una puerta, cajón calentador o cajón para almacenamiento. Esto puede dañar el electrodoméstico, y la unidad puede caerse y, posiblemente, causar lesiones graves.

No permita que niños utilicen este electrodoméstico, a menos que sean supervisados de cerca por un adulto. Los niños y las mascotas no deben quedar solos o sin vigilancia en el área donde se utilice el electrodoméstico. Nunca se les debe permitir jugar cerca del electrodoméstico, independientemente de que esté en funcionamiento o no.



## ATENCIÓN

Los objetos de interés para niños no deben almacenarse en un electrodoméstico, en gabinetes sobre un electrodoméstico ni en la placa antisalpicaduras. Si los niños se suben a un electrodoméstico para alcanzar estos objetos, podrían sufrir lesiones graves.

---



# INSTRUCCIONES DE SEGURIDAD IMPORTANTES

LEA Y CONSERVE ESTAS INSTRUCCIONES

## Seguridad en la limpieza

Después de un derrame o derrame por hervor, apague la hornilla y deje que la placa se enfríe. Limpie alrededor de la hornilla y de los agujeros de la hornilla. Después de limpiar, verifique que funcione de manera adecuada.

## Seguridad en los utensilios de cocina

Sostenga el mango de la olla cuando revuelva o dé vuelta los alimentos. Esto ayuda a evitar salpicaduras y a prevenir el movimiento de la olla.

Utilice el tamaño de olla adecuado. El uso de utensilios de cocina más pequeños deja expuesta al contacto directo una parte del elemento de calentamiento o de la hornilla, y puede ocasionar la ignición de la ropa. Seleccione utensilios de cocina con bases planas y lo suficientemente grandes para que cubran la unidad de calentamiento de la superficie. Este electrodoméstico está equipado con una o más unidades de superficie de diferente tamaño. La proporción correcta del utensilio de cocina con respecto al elemento de calentamiento o la hornilla también aumenta la eficiencia.

Siempre coloque los mangos de los utensilios hacia adentro, de manera que no se extiendan sobre las áreas de trabajo adyacentes ni sobre el borde de la placa. Esto reduce el riesgo de incendios, derrames y quemaduras.

Ajuste el tamaño de la llama de la hornilla, de manera que no se extienda fuera del borde de los utensilios de cocina. La proporción correcta del utensilio de cocina con respecto a la llama de la hornilla reduce los riesgos de seguridad.



# INSTRUCCIONES DE SEGURIDAD IMPORTANTES

LEA Y CONSERVE ESTAS INSTRUCCIONES

## Instalación y mantenimiento adecuados

Pídale al instalador que le muestre la ubicación del disyuntor o el fusible. Márquela para recordarla más fácilmente.

Este electrodoméstico debe ser correctamente instalado y conectado a tierra por un técnico calificado.

Conéctelo sólo a una toma de corriente eléctrica correctamente conectada a tierra. Para obtener más información, consulte las Instrucciones de instalación.

Este electrodoméstico ha sido diseñado para uso doméstico normal únicamente. No está aprobado para uso en exteriores. Consulte la Declaración de Garantía limitada del Producto. Si tiene alguna pregunta, comuníquese con el fabricante.

No almacene ni utilice productos químicos corrosivos, vapores, materiales inflamables ni productos no alimenticios dentro de este electrodoméstico ni cerca de él. Está específicamente diseñado para calentar o cocinar alimentos. El uso de productos químicos corrosivos al calentar o limpiar dañará el electrodoméstico y podría causar lesiones.



## ADVERTENCIA

No hacer funcionar bien las perillas puede ocasionar lesiones personales y daños al electrodoméstico.

Este aparato no está previsto para el funcionamiento con un reloj conmutador horario o un mando a distancia externo.

No utilice este electrodoméstico si no funciona correctamente o si ha sido dañado. Comuníquese con un centro de servicio técnico autorizado.

No repare ni cambie ninguna parte del electrodoméstico, a menos que se recomiende específicamente en este manual. Remita todas las reparaciones a un centro de servicio técnico autorizado por la fábrica.

Para evitar un peligro de descarga eléctrica, antes de reparar el electrodoméstico, apague la alimentación eléctrica en el panel de servicio y trabe el panel para impedir que se encienda accidentalmente.

## Advertencia en virtud de la Proposición 65:

Este producto puede contener un químico que el Estado de California reconoce como potencialmente cancerígeno o causante de daños reproductivos. Por tanto, su producto debe llevar en su embalaje la siguiente etiqueta de conformidad con la legislación de California:

ADVERTENCIA EN VIRTUD DE LA PROPOSICIÓN 65 DEL ESTADO DE CALIFORNIA:

 **ADVERTENCIA**

Cáncer y daño reproductivo - [www.P65Warnings.ca.gov](http://www.P65Warnings.ca.gov)

---

## Causas para los daños

---

---

### **AVISO**

---

#### DAÑOS POR EXCESO DE CALOR EN APARATOS O MUEBLES COLINDANTES:

Si se utiliza el aparato durante mucho tiempo, se produce calor y humedad. Es necesaria una ventilación adicional. Por ejemplo, abrir una ventana o encender una campana extractora que conduzca el aire al exterior.

---

---

### **AVISO**

---

#### DAÑOS EN EL APARATO DEBIDO A UNA ACUMULACIÓN DE CALOR:

No calentar asadores, sartenes o piedras de parrilla al mismo tiempo con varios quemadores.

---

---

### **AVISO**

---

#### AVERÍA:

Mantener la perilla de control en la posición cero siempre que no se esté utilizando el aparato.

---

---

## Protección del medio ambiente

---

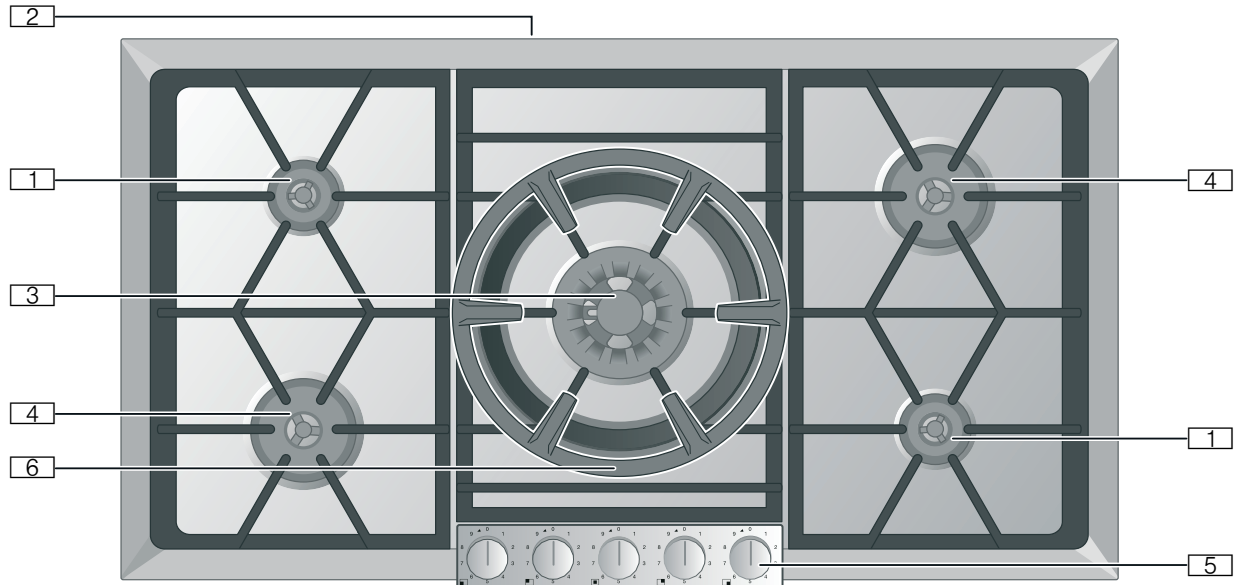
Aquí se ofrecen consejos sobre cómo ahorrar energía e indicaciones para desechar el aparato.

### Ahorro de energía

- Escoger el quemador adecuado para el tamaño de la olla. Colocar el recipiente para cocinar centrado.
- Utilizar una olla pequeña para cantidades reducidas. Una olla grande y poco llena requiere mucha energía.
- Utilizar siempre la tapa correspondiente a cada olla. Cuando se cocina sin tapa se necesita bastante más energía. Utilizar una tapa de cristal para poder tener visibilidad sin necesidad de levantarla.
- Al cocer, utilizar poca agua. De este modo se ahorra energía y se conservan todas las vitaminas y minerales de las verduras.
- Reducir cuando corresponda y usar un nivel menor de potencia. Así se ahorra energía.

## Presentación del aparato

### Parrilla de cocina de gas



- 1** Quemador estándar 2.0 kW / 7,000 BTU/h
- 2** Abertura de entrada de aire
- 3** Quemador wok  
Gas natural 5.5 kW / 18,800 BTU/h  
Propano 5.0 kW / 17,000 BTU/h
- 4** Quemador de gran potencia 4.0 kW / 13,500 BTU/h
- 5** Perilla de control:  
Niveles de potencia 1-9  
◀ Sentido de giro de la perilla de control
- 6** Accesorio para sartén wok

### Accesorios especiales

En su comerciante especializado, puede adquirir el accesorio indicado a continuación:

**WP 400 001** Sartén wok de material multicapa. Con fondo abombado y mango, Ø 14¼" (36 cm), 6 litros, altura 4" (10 cm).

Utilice el accesorio tal como se ha prescrito. El fabricante no se hace responsable por un uso incorrecto.

### Indicación en el anillo luminoso

La perilla de control dispone de un anillo luminoso con distintas opciones de indicación.

Panel indicador	Significado
○ Apagado	Aparato APAGADO
● Iluminado en: naranja	Aparato ENCENDIDO
● Parpadeo lento: naranja	Aparato APAGADO Indicador de calor residual
☀ Parpadeo: naranja	Falla del aparato ¡Llamar al servicio de atención al cliente!

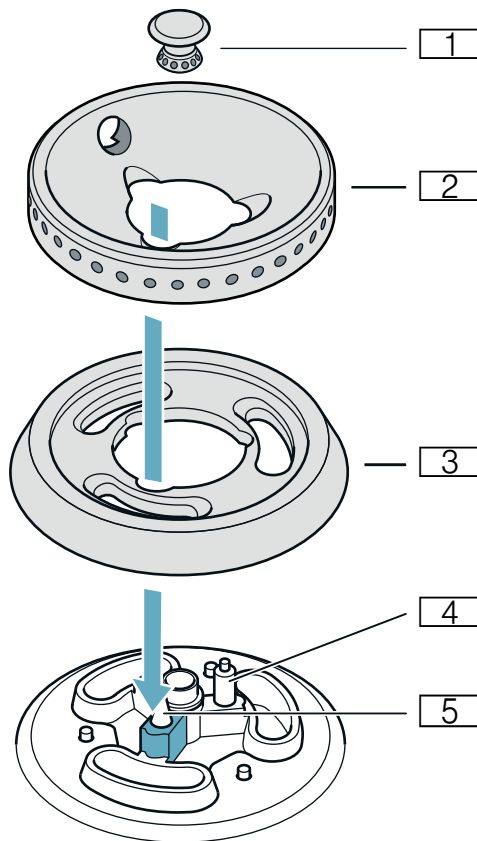
## Componentes de los quemadores

Montar los componentes de los quemadores rectos y en su posición adecuada; si no, se podrían producir alteraciones en la ignición o durante el funcionamiento.

Colocar el cabezal y el círculo de llama del quemador de tal manera que los salientes de la parte inferior del quemador encajen en los huecos correspondientes. La dirección del cabezal y del círculo de llama del quemador no es importante.

**Nota:** Si los componentes del quemador no se colocan rectos, el aparato no funcionará.

### Componentes del quemador estándar y el quemador de gran potencia



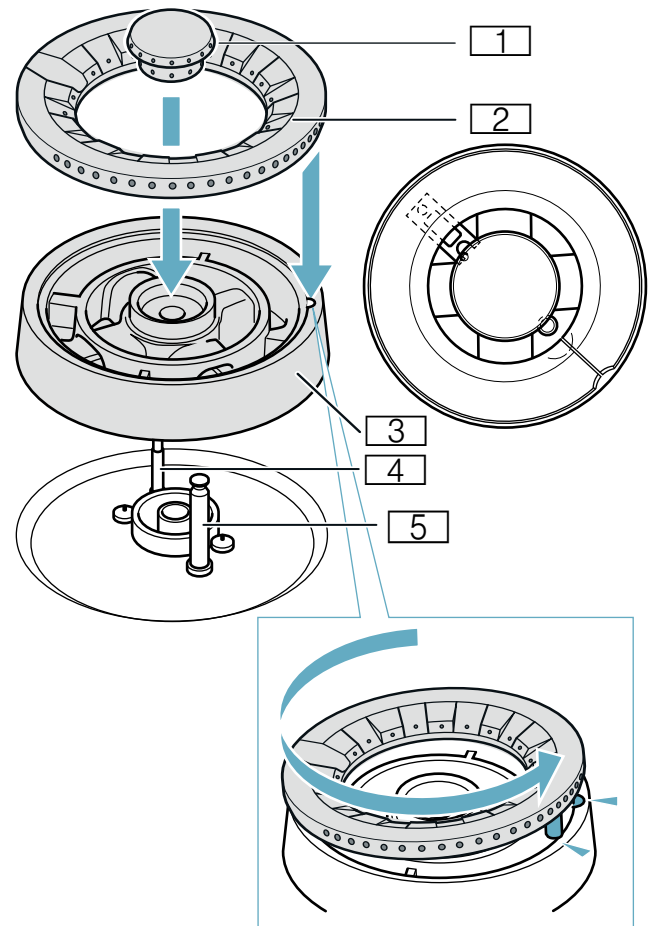
- 1 Tapa del quemador
- 2 Círculo de llama del quemador
- 3 Cabezal del quemador
- 4 Bujía
- 5 Termopar

## Componentes del quemador wok

Montar los componentes del quemador wok rectos y en su posición adecuada; si no, se podrían producir alteraciones en la ignición o durante el funcionamiento.

Colocar el cabezal del quemador de manera que el termopar encaje en el hueco correspondiente del cabezal. La lengüeta de retención del círculo de llama del quemador debe encajar en el hueco correspondiente del cabezal.

**Nota:** Si los componentes del quemador no se colocan rectos, el aparato no funcionará.



- 1 Tapa del quemador
- 2 Círculo de llama del quemador
- 3 Cabezal del quemador
- 4 Termopar
- 5 Bujía



## Manejo del electrodoméstico

### Notas

- Utilizar exclusivamente los accesorios indicados. No cubrir la placa de acero inoxidable (p. ej. con papel de aluminio).
- No tapar las aberturas de ventilación de la parte trasera de la hoja superior.
- El quemador y la bujía de encendido deben estar limpios y secos.
- Las zonas de cocción solo deben encenderse cuando el soporte para ollas y todos los componentes del quemador estén correctamente colocados.
- Presionar hasta el tope y mantener presionada la perilla de control; seguidamente, girarla hasta alcanzar la posición deseada.
- Tras el encendido, mantener la perilla de control presionada de 2 a 4 segundos, que es el tiempo necesario para que se caliente el sensor térmico encargado de abrir el conducto del gas.
- Si la llama no se enciende en un plazo de 2 a 4 segundos, volver a girar la perilla de control hacia la izquierda hasta las potencias bajas y, después de que se encienda, volver a girarla hasta las potencias elevadas. Normalmente es más fácil el encendido en potencias bajas, puesto que cada gas reacciona de forma diferente ante el encendido.
- Cuando se enciende un quemador, se produce una chispa en todos los quemadores.
- No tocar la bujía cuando el aparato de gas esté encendiendo.
- Mantener la máxima limpieza. Si las bujías están sucias, el encendido será defectuoso. Limpiarlas periódicamente con un cepillo pequeño no metálico. Tener en cuenta que las bujías no deben sufrir impactos violentos.

### Conectar

Este aparato está equipado con una válvula de paso. Las marcas de la perilla de control muestran el nivel de potencia del 1 al 9.

La placa de cocción de gas está equipada con bujías para poder llevar a cabo el encendido eléctrico.

1. Colocar un recipiente de cocción adecuado sobre la rejilla.
2. Presionar y girar la perilla de control del quemador elegido hacia la izquierda hasta seleccionar el nivel de potencia deseado.

El quemador se enciende automáticamente.

Se puede ajustar el nivel de potencia deseado girando la perilla de control.

### ⚠ ATENCION

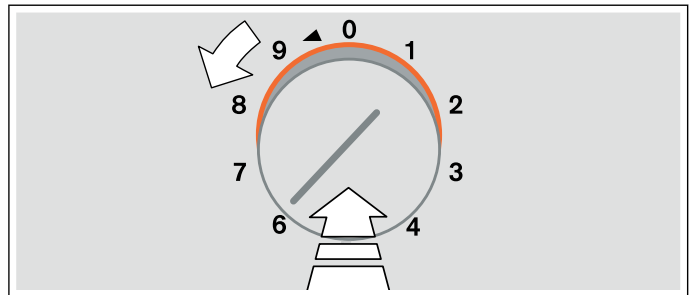
#### Daños en el aparato

No intentar nunca girar la perilla de control de la posición 0 directamente a la posición 1 ni de la posición 1 directamente a la posición 0. Esto puede dañar la válvula de paso.

### ⚠ ADVERTENCIA

#### ¡Riesgo de incendio!

Si transcurridos 15 segundos la llama no se enciende, desactivar la perilla de control y abrir la puerta o ventana de la estancia. Esperar al menos un minuto antes de intentar encender el quemador de nuevo.



### Encendido manual

En caso de una interrupción en el suministro de corriente, el quemador se puede encender también manualmente.

1. Colocar un recipiente de cocción adecuado sobre la rejilla.
2. Presionar y girar la perilla de control del quemador elegido hacia la izquierda hasta seleccionar el nivel de potencia deseado. Mantener presionada la perilla de control.
3. Encender el quemador con un encendedor de gas o un cerillo. Mantener presionada la perilla de control durante unos segundos tras el encendido.

**Nota:** El panel indicador del anillo luminoso permanece apagado.

## Vigilancia termoeléctrica de la flama

Para su seguridad, el fogón está provisto de una vigilancia termoeléctrica de la flama. Este dispositivo impide que salga el gas en caso de que el quemador se apague inadvertidamente durante su funcionamiento (por ejemplo, por una corriente de aire).

Si el quemador se apaga inadvertidamente durante su funcionamiento, gire la maneta de mando hasta la posición 0 y espere por lo menos 1 minuto antes de volverlo a encender.

## Apagar

Girar la perilla de control hacia la derecha hasta la posición 0.

## Visualización del calor restante

Después de apagar el aparato, el anillo luminoso de la perilla del control parpadea lentamente en naranja para indicar que el aparato todavía está demasiado caliente como para tocarlo. No tocar el aparato mientras el indicador de calor residual parpadee.

## Tabla de ajustes y consejos

Nivel de potencia	Procedimiento de cocción	Ejemplos
9	Calentar	Agua, consomés
	Escaldar	Verduras
	Freír	Papas fritas, galletas
7 - 9	Sofreír	Carne
	Asar a temperaturas altas	Carne, papas
6 - 8	Continuar la cocción con la tapa abierta	Líquidos, pastas
5 - 7	Hornear	Dulces
	Asar a temperaturas medias	Aves, pescado
4 - 5	Asar a temperaturas bajas	Salchichas, cebollas, comidas con huevo
	Descongelar	Alimentos congelados
4	Escalfar con la tapa abierta	Knödel, (bolas de masa hervidas) salchichas cocidas
	Calentar	Verduras, sopas, guisos
3 - 4	Cocinar	Rollos de carne asada, asados
	Rehogar	Verduras
2 - 4	Continuar la cocción con la tapa cerrada	Sopas, verduras
1	Poner en remojo	Arroz, arroz con leche, cereales

## Consejos para cocer y asar

Los valores de la tabla de ajuste son meramente orientativos, ya que según el tipo y estado de los alimentos, así como el tamaño y el nivel de llenado de la olla, puede ser necesario más o menos calor.

Debido a su elevada potencia la grasa y el aceite se calientan muy rápidamente. No deje los productos en cocción sin vigilancia, la grasa podría incendiarse y quemar el producto de asar.

## Consejos para el wok

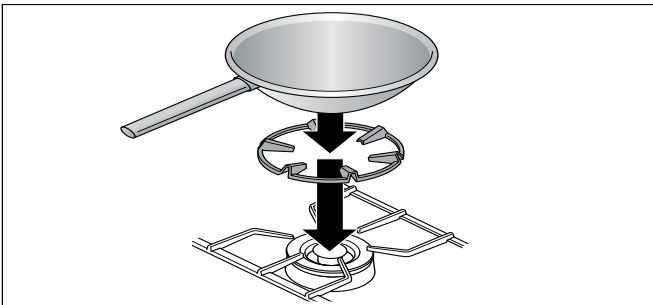
**Nota:** Para cocinar con un sartén wok, hay que colocar el accesorio para wok sobre el quemador wok en el soporte para ollas. Asegurarse de que el sartén wok esté colocada correctamente sobre el accesorio para sartén wok.

Le recomendamos sartenes wok con fondo abombado. Se puede adquirir un sartén wok de gran calidad como accesorio especial (n.º de referencia WP 400 001).

Para cocinar con el sartén wok, utilizar únicamente un aceite de cocina que alcance elevadas temperaturas, p. ej., aceite de cacahuete.

Cocer los ingredientes a fuego alto, removiendo constantemente y no durante demasiado tiempo. Las verduras deben quedar al dente.

Para remover y sacar los alimentos, utilizar un cucharón plano con mango largo de material resistente al calor.



## ⚠ ADVERTENCIA

### ¡Riesgo de sufrir lesiones!

El quemador estándar y el quemador de gran potencia no son adecuados para usarlos con el accesorio para sartén wok ni con un sartén wok. El sartén wok no es estable y puede volcar. No colocar nunca el accesorio para sartén wok sobre el quemador estándar o el quemador de gran potencia.

## Consejos para el uso de recipientes

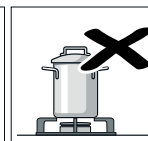
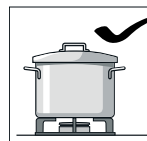
Las siguientes indicaciones ayudan a ahorrar energía y a evitar daños en los recipientes para cocinar.

### Ollas de adecuadas para cocer

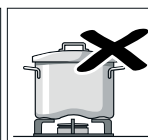
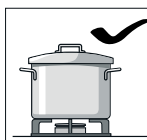
Quemador	Diámetro recomendado del fondo de la Olla	Diámetro mínimo del fondo de la Olla
Quemador normal	8" - 9½" (200 - 240 mm)	3½" (90 mm)
Quemador potente	9½" - 11" (240 - 280 mm)	3½" (90 mm)
Quemador Wok	9½" - 12¾" (240 - 320 mm)	5¾" (160 mm)

**No deben utilizarse cazuelas con un diámetro inferior a 90 mm o superior a 11" (280 mm) [12¾" (320 mm) para el quemador wok].** En caso de utilizarse cazuelas de mayor tamaño, se deberá dejar una distancia de como mínimo 2" (50 mm) entre el recipiente y los componentes inflamables. Entre la maneta de mando o el cuadro de mando y la cazuela o sartén debe dejarse una distancia de como mínimo 2" (50 mm). El recipiente no se puede colocar junto al cuadro de mando.

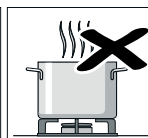
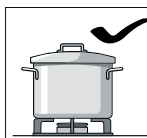
## Instrucciones de uso



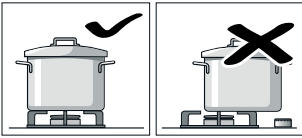
Utilice recipientes de cocción de tamaño apropiado al quemador correspondiente. No utilice recipientes de cocción pequeños en un quemador grande. La llama no deberá tocar los laterales del recipiente de cocción.



No utilice recipientes de cocción deformados que no asienten de forma estable sobre la placa de cocción. Los recipientes podrían volcar. Utilice sólo recipientes de cocción con una base plana y gruesa.

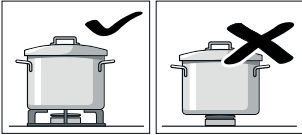


No cocine sin tapa o si se encuentra desplazada la tapa. Se derrocha gran parte de la energía.



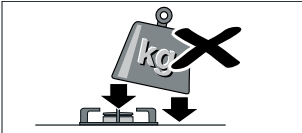
Coloque el recipiente de cocción en el centro por encima del quemador, de lo contrario podría volcar el recipiente.

No coloque las ollas grandes sobre el quemador cerca de los mandos. Estos podrían sobrecalentarse y por consiguiente dañarse.

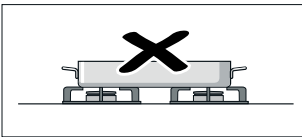


Coloque las ollas sobre soporte de ollas y no directamente sobre los quemadores.

Cerciórese antes de su uso que el soporte de ollas y la tapa del quemador de gas asienten correctamente.



Manipule con precaución los recipientes colocados sobre la placa de cocción. No golpee la placa de cocción ni coloque sobre ella elevados pesos.



No caliente nunca un recipiente de cocción (p.ej. asador, sartén, piedra para grill) con varios quemadores. La acumulación de calor produce daños en el aparato.

---

## Cuidados y limpieza

---

---

### ⚠ ADVERTENCIA

---

#### ¡Peligro de descarga eléctrica!

La humedad penetrante puede causar una descarga eléctrica. No use una hidrolavadora ni un limpiador por vapor.

---

---

### ⚠ ADVERTENCIA

---

#### ¡Riesgo de quemaduras!

Al estar en funcionamiento, las partes accesibles se calientan mucho. Nunca toque las partes calientes. Mantenga alejados a los niños.

---

---

### AVISO

---

#### DAÑOS EN LA SUPERFICIE:

No utilizar estos productos de limpieza

- Limpiadores fuertes o abrasivos
- Limpiadores para hornos
- Limpiadores agresivos, irritantes o que contengan cloro
- Limpiadores que contienen gran cantidad de alcohol
- Esponjas, cepillos o estropajos para fregar duros o que rayen

Si alguno de estos productos entra en contacto con el aparato, limpiarlo inmediatamente con agua.

Lavar siempre a fondo los trapos nuevos antes de usarlos.

---

## Limpiar el aparato

Limpiar el aparato después de cada uso una vez se haya enfriado. Retirar de inmediato los líquidos derramados y no permitir que se quemen restos de comida.

Secar concienzudamente los quemadores tras su limpieza. El aparato solo debe ponerse en funcionamiento si los quemadores están secos. Los quemadores húmedos pueden dar problemas al encender el aparato o hacer que la llama no sea estable.

Durante el ensamblaje, colocar los componentes del quemador en la posición correcta (lengüetas de retención). Todas las piezas deben estar rectas.

## Suciedad quemada

Para eliminar la suciedad incrustada o quemada, se puede solicitar en nuestra tienda en línea, a través de un comercio especializado o de nuestro Servicio de Asistencia Técnica, un gel limpiador (n.º art.00311859). Este es adecuado para los soportes para ollas y cavidades de acero inoxidable. En caso necesario, dejar que el producto actúe toda la noche. Tener en cuenta las indicaciones del limpiador.

### AVISO

#### DAÑOS EN LA SUPERFICIE:

No aplicar el gel limpiador sobre los componentes de los quemadores.

## Decoloración de los quemadores

Después de un uso prolongado, los componentes del quemador de latón se oscurecen por la oxidación natural. El cambio de color no afecta la utilidad.

Pieza del aparato/ Superficie	Limpieza recomendada
Superficies de acero inoxidable	<p>Agua con un poco de jabón. Secar seguidamente con un paño suave. Utilizar poca cantidad de agua para la limpieza, ya que no debe penetrar agua en el aparato.</p> <p>Poner las cosas quemadas a remojo con un poco de agua con detergente para vajillas y no restregar.</p> <p>Utilizar nuestro limpiador para acero inoxidable (n.º art. 00311499) para eliminar la suciedad incrustada o provocada por el calor.</p>
Soporte para ollas, accesorio para sartén wok	<p>Retirarlo con cuidado para la limpieza. Ponerlo a remojo en el fregadero. Limpiar con detergente para vajillas y un cepillo para fregar los platos.</p> <p>Limpiar con mucho cuidado las zonas del tope de hule para que este no se desprenda.</p> <p>Enjuagar con agua limpia y secar antes de volver a colocarlo.</p> <p>El soporte para ollas también se puede lavar en el lavavajillas. De esta forma, es posible que el soporte para ollas se decolore. Esto no afecta a su uso.</p>
Componentes del quemador	<p>Agua con un poco de jabón. Secar seguidamente con un paño suave. Comprobar que las aberturas no estén obstruidas.</p> <p>Poner atención para que no se extravíe ninguna pieza pequeña.</p> <p><b>¡No lavar en el lavavajillas!</b></p>
Panel de control	<p>Agua con un poco de jabón. No humedecer el paño en exceso. Secar con un paño suave.</p>
Perilla de control	<p>Agua con un poco de jabón. No humedecer el paño en exceso. Secar con un paño suave.</p>

### ATENCION

#### Daños en el aparato

No retirar la perilla de control para limpiarla.

## ¿Qué hacer en caso de avería?

### ADVERTENCIA

#### ¡Peligro de descarga eléctrica!

Las reparaciones incorrectas son peligrosas. Solo puede realizar reparaciones uno de nuestros técnicos capacitados de Servicio al Cliente. Si el electrodoméstico está defectuoso, desconecte el enchufe o desconecte el fusible en la caja de fusibles. Llame al Servicio al Cliente.

Con frecuencia, cuando se produce una avería, suele tratarse de una pequeña anomalía fácil de subsanar. Antes de llamar al servicio de atención al cliente, deben tenerse en cuenta las indicaciones de la tabla.

Anomalía	Posible causa	Solución
Falla general del sistema eléctrico.	Se ha fundido un fusible en la casa.	Comprobar en el cuadro de protección si se han disparado los interruptores automáticos.
El encendido electrónico no funciona.	Entre las bujías y los quemadores pueden encontrarse restos de alimentos o limpiador.	El espacio intermedio entre la bujía de encendido y el quemador debe estar limpio.
	Los quemadores están húmedos.	Secar a fondo las tapas de los quemadores.
	Las tapas de los quemadores no están bien puestas.	Verificar si las tapas están bien colocadas.
	Fallo de corriente	Encender los quemadores manualmente.
Las flamas del quemador son desiguales.	Las partes de los quemadores no están bien colocadas.	Coloque bien las piezas de los quemadores.
	Las aberturas del quemador están sucias.	Limpie las aberturas del quemador.
El flujo de gas no parece ser normal, o bien no sale nada de gas.	Las válvulas intermedias están cerradas.	Abrir las válvulas intermedias.
	Si utiliza un tanque de gas, verifique que no esté vacío.	Cambiar el tanque de gas.
En la cocina huele a gas.	Posible puntos de fuga puede ser la conexión de la bombona de gas.	Comprobar estanqueidad de la bombona de gas.
El quemador se apaga inmediatamente después de encender.	No ha presionado la maneta de mando por suficiente tiempo.	Después de que haya prendido el quemador, mantenga presionada la maneta de mando todavía por algunos segundos. Presione con firmeza hacia dentro.
	Las aberturas del quemador están sucias.	Limpie las aberturas del quemador.

---

## Servicio de atención al cliente

---


Si su aparato necesita una reparación, nuestro servicio de atención al cliente estará encantado de ayudarle. Siempre encontramos la solución adecuada, incluso para evitar visitas innecesarias de los técnicos.

Cuando llame por teléfono, indique la referencia del producto (Nº E) y el número de fabricación (Nº FD) para que podamos ofrecerle un servicio cualificado. La placa de identificación con los números correspondientes los encontrará en la parte inferior del aparato. Para evitar tener que buscar los datos de su aparato cuando los precise, es aconsejable anotarlos aquí conjuntamente con el número de teléfono del Servicio de atención al cliente.

---

Nº E.	Nº FD.
-------	--------

---

Servicio de atención al cliente 

---

Lea las instrucciones de uso y cuidado que se suministran con su aparato. De no hacerse, podría producirse un error en el uso del aparato con sus consecuentes llamadas de servicio innecesarias, que pueden no estar cubiertas por la garantía.

Las señas de las delegaciones internacionales figuran en la lista adjunta de centros y delegaciones del Servicio de Asistencia Técnica Oficial.

### Solicitud de reparación y asesoramiento en caso de averías

**US** 877 442 4436  
toll-free

**BSH Home Appliances Corporation**  
1901 Main Street, Suite 600  
Irvine, CA 92614  
USA  
[www.gaggenau.com](http://www.gaggenau.com)  
1-877-442-4436  
© 2024 BSH Home Appliances Corporation

**GAGGENAU**



9001538558 en-us, es-mx, fr-ca (040416)